

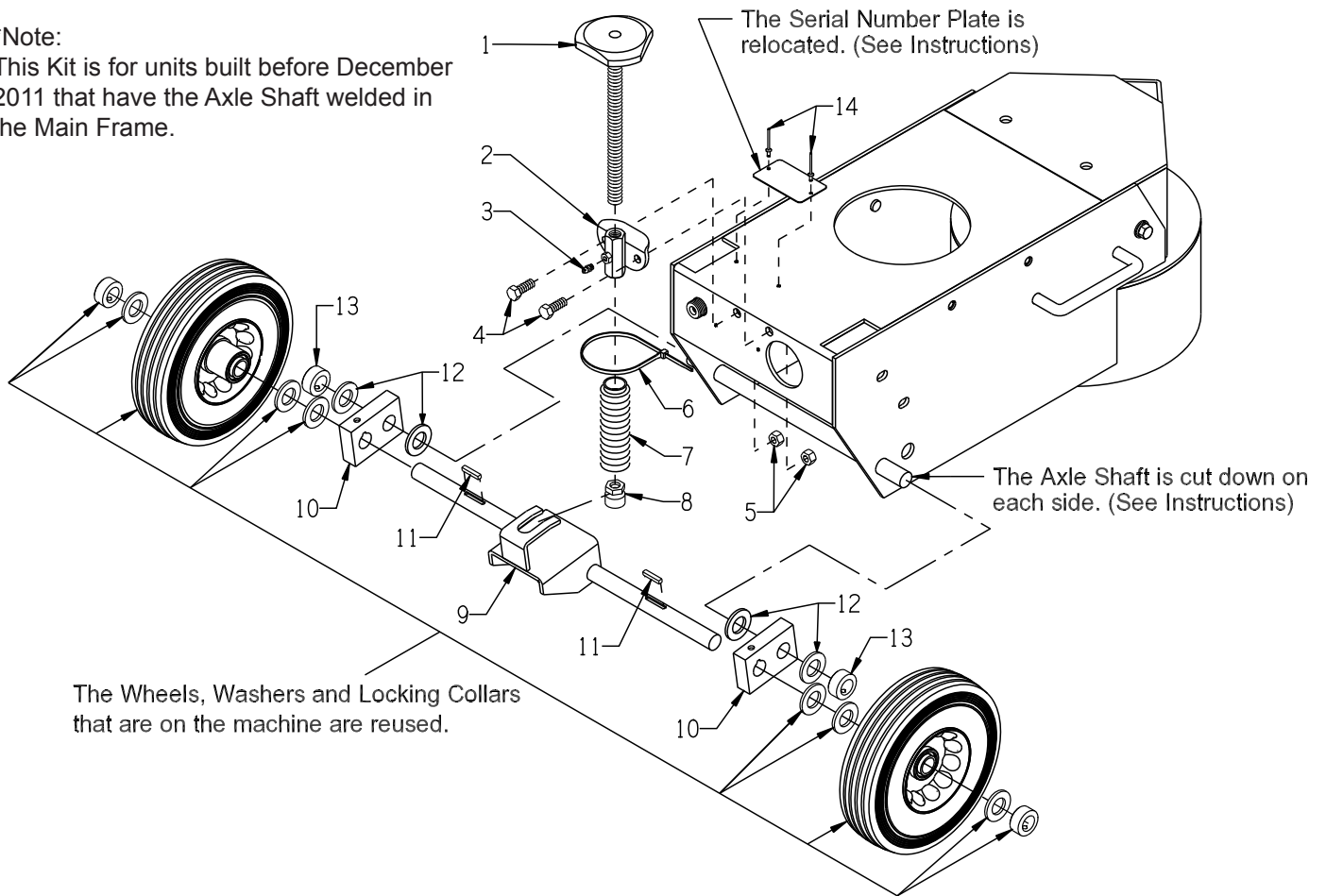
TG10 LEVELING SYSTEM KIT #1*

E-TG10LSK1-PL-0612

PART # 86365K1

***Note:**

This Kit is for units built before December 2011 that have the Axle Shaft welded in the Main Frame.



ITEM #	PART #	DESCRIPTION	QTY.
1	86369	CONTROL KNOB, TG10 LEVELING SYSTEM	1
2	86368	MOUNTING PAD, TG10 LEVELING SYSTEM	1
3	10808	FITTING, GREASE 1/4-28 STRAIGHT	1
4	10055	SCREW, CAP 3/8-16 X 1	2
5	10156	NUT, HEX NYLON LOCK 3/8-16 ZINC	2
6	10982	TIE, CABLE, BLACK NYLON 11-1/4"	1
7	43008	BELLOWS, GAS SPRING (DUST BOOT)	1
8	57413	TOGGLE PAD 1"DIA. X 1"H X 5/8-11	1
9	86366	FORK, TG10 LEVELING SYSTEM	1
10	86367	PIVOT BAR, TG10 LEVELING SYSTEM	2
	10052	SCREW, SET 5/16-18 X 3/8 (NOT SHOWN)	2
11	10135	KEY 3/16SQ X 1	2
12	10009	WASHER, FLAT 3/4 SAE ZINC	4
13	10428	COLLAR, LOCKING 3/4"ID	2
14	10128	RIVET, BLIND 1/8 X .275L X .250HD	2



A Division of Equipment Development Company, Inc.

100 Thomas Johnson Drive, Frederick, MD 21702-4600 USA

Phone (301) 663-1600 • 1-800-638-3326

Fax (301) 663-1607 • 1-800-447-3326

Website: www.edcoinc.com

Email: sales@edcoinc.com

Printed in USA

JWA ©2012

TG10 LEVELING SYSTEM KIT #2*

E-TG10LSK2-PL-0612

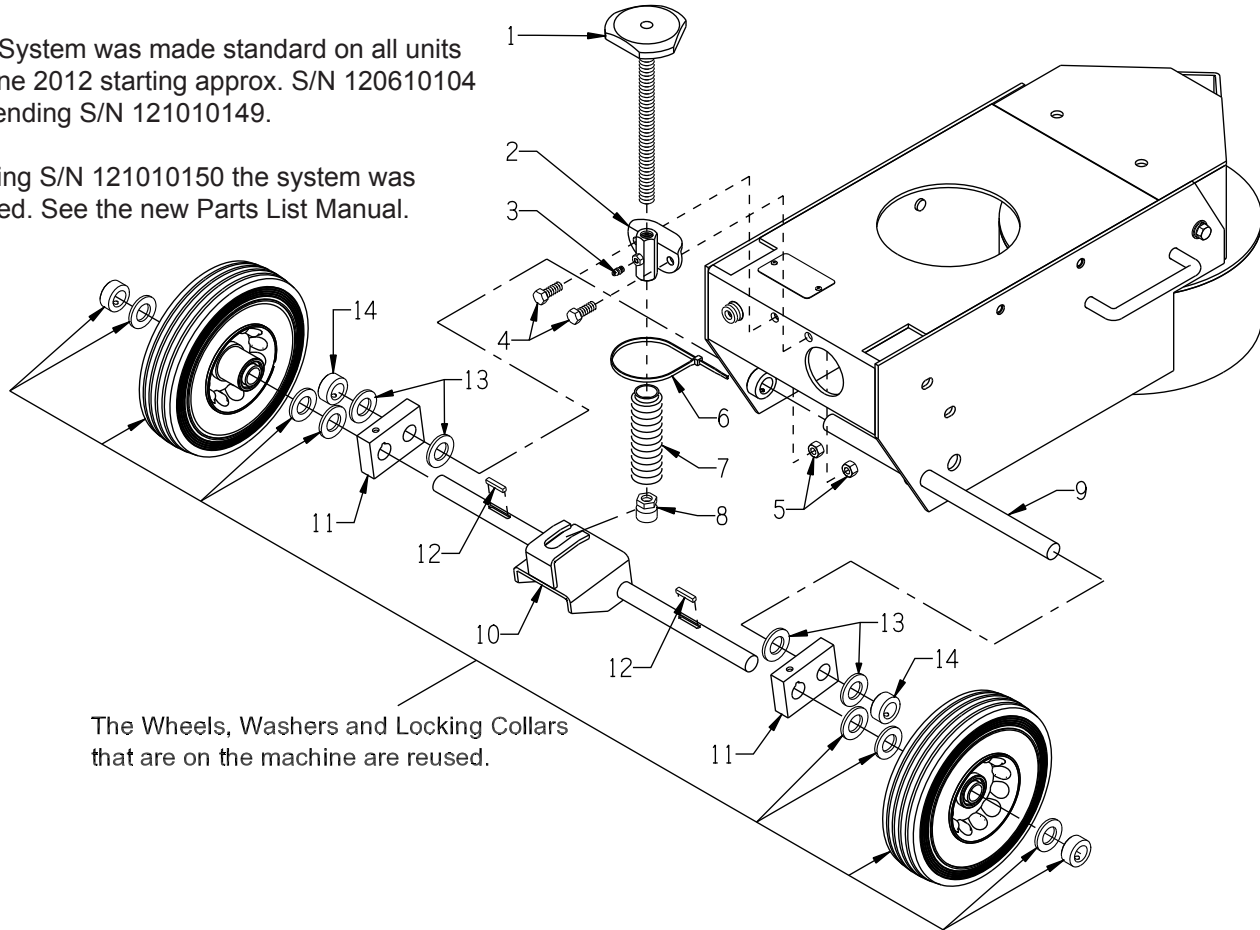
PART # 86365K2

***Note:**

This Kit is for units built after Nov. 2011 that have the Axle Shaft held in place by 2 Locking Collars that are welded in the Main Frame.

This System was made standard on all units in June 2012 starting approx. S/N 120610104 and ending S/N 121010149.

Starting S/N 121010150 the system was revised. See the new Parts List Manual.



The Wheels, Washers and Locking Collars that are on the machine are reused.

ITEM #	PART #	DESCRIPTION	QTY.
1	86369	CONTROL KNOB, TG10 LEVELING SYSTEM	1
2	86368	MOUNTING PAD, TG10 LEVELING SYSTEM	1
3	10808	FITTING, GREASE 1/4-28 STRAIGHT	1
4	10055	SCREW, CAP 3/8-16 X 1	2
5	10156	NUT, HEX NYLON LOCK 3/8-16 ZINC	2
6	10982	TIE, CABLE, BLACK NYLON 11-1/4"	1
7	43008	BELLOWS, GAS SPRING (DUST BOOT)	1
8	57413	TOGGLE PAD 1"DIA. X 1"H X 5/8-11	1
9	86377	SHAFT 3/4 X 13-1/4, TG10 LEV. SYS.	1
10	86366	FORK, TG10 LEVELING SYSTEM	1
11	86367	PIVOT BAR, TG10 LEVELING SYSTEM	2
	10052	SCREW, SET 5/16-18 X 3/8 (NOT SHOWN)	2
12	10135	KEY 3/16SQ X 1	2
13	10009	WASHER, FLAT 3/4 SAE ZINC	4
14	10428	COLLAR, LOCKING 3/4"ID	2



A Division of Equipment Development Company, Inc.

100 Thomas Johnson Drive, Frederick, MD 21702-4600 USA
 Phone (301) 663-1600 • 1-800-638-3326
 Fax (301) 663-1607 • 1-800-447-3326
 Website: www.edcoinc.com
 Email: sales@edcoinc.com

Printed in USA

JWA ©2012