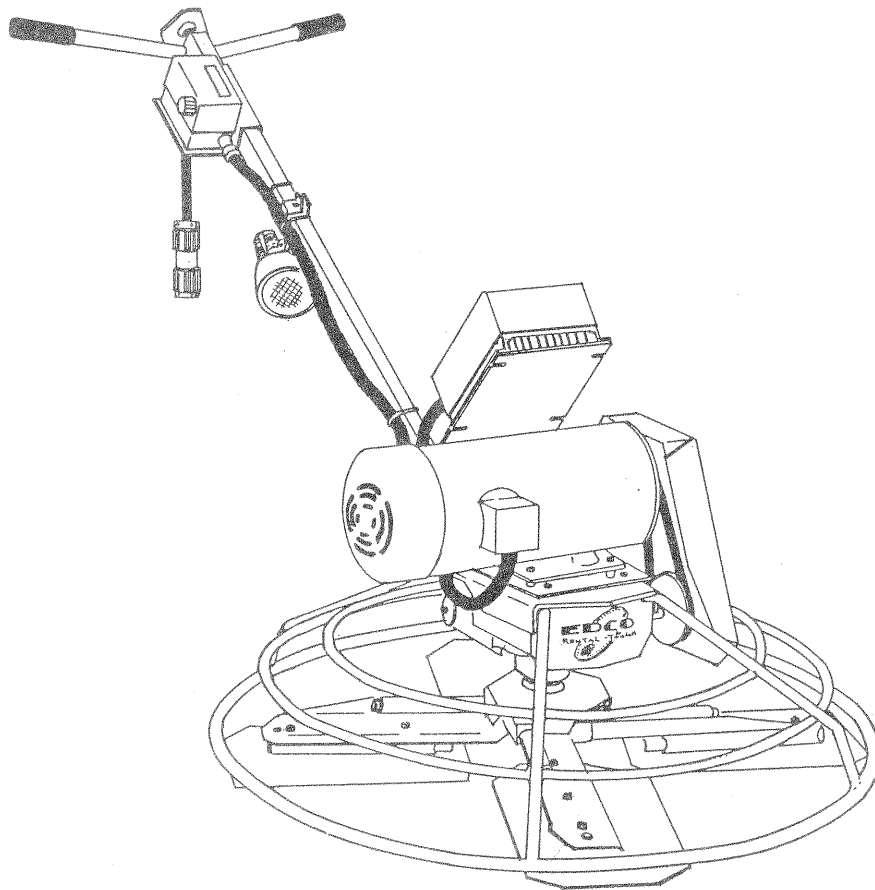


JANUARY 1, 1993

POWER TROWELS

SPECIFICALLY FOR EPOXY MORTARS

PARTS LIST MANUAL



Models T304-VS, T364-VS, T304-RS, T364-RS



EQUIPMENT DEVELOPMENT COMPANY, INC.

100 THOMAS JOHNSON DRIVE, FREDERICK, MARYLAND 21702-4600 USA

PHONE (301)663-1600

TOLL FREE 1-800-638-3326

FAX (301)663-1607

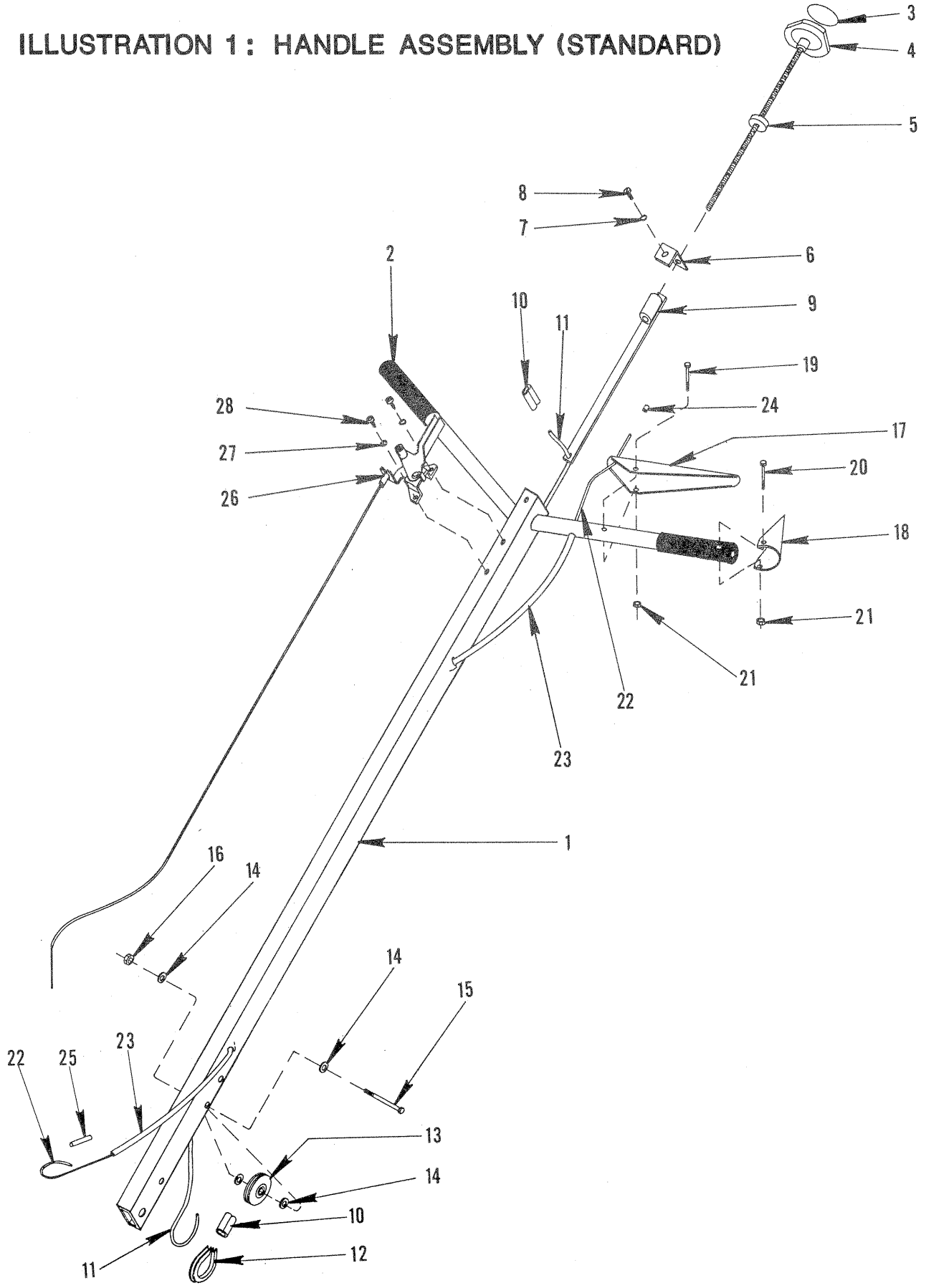
FAX FREE 1-800-447-3326

WEBSITE: www.edcoinc.com

EMAIL: sales@edcoinc.com

PRINTED IN U.S.A.

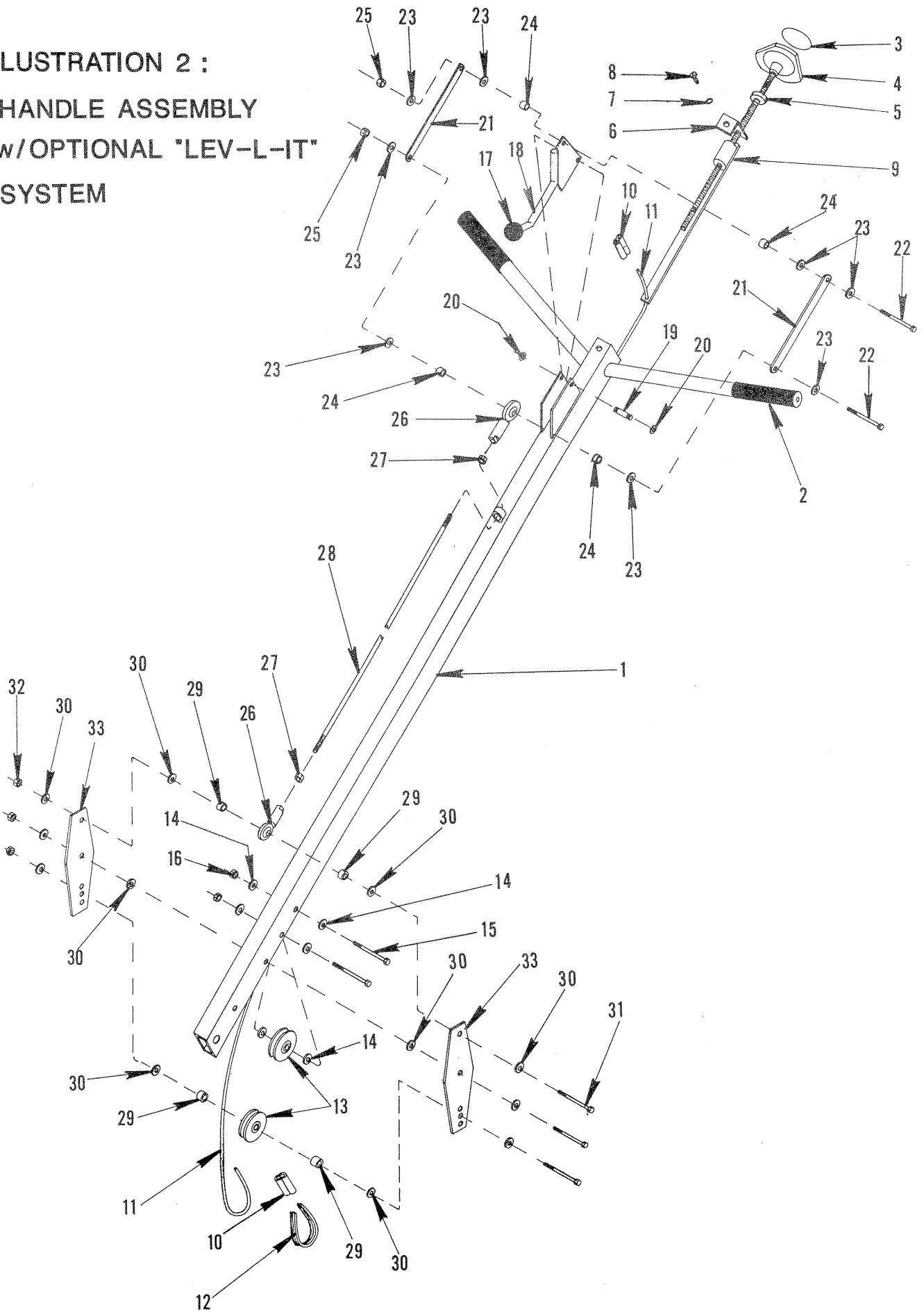
ILLUSTRATION 1: HANDLE ASSEMBLY (STANDARD)



PARTS LISTING - ILLUSTRATION 1:
HANDLE ASSEMBLY (STANDARD)

Item #	Part #	Description	Qty.
1	3628	Handle (Standard)	1
2	79022	Grip, Hand 1" Hunt	2
3	3661	Decal, Blade Angle	1
4	3614	Knob, Control W/ 1/2-13x12"Rod	1
5	3642	Bearing, Ball 1/2"ID Thrust	1
6	3616	Handle Cap	1
7	10455	Washer, Ext. Tooth #10	1
8	10828	Screw, Self-Tap 10-24 x 1/2	1
9	3617	Linkage, Adjusting	1
10	3618	Sleeve, Nicropress Double 3/16	2
11	3619	Cable, Control 3/16 x 40-1/2 (Standard W/O LEV-L-IT System)	1
12	4610	Cable Thimble 3/16	1
13	3621	Pulley Bearing 1-3/4"Dia.	1
14	10025	Washer, Flat 3/8	4
15	10816	Screw, Cap 3/8-24 x 1-1/2	1
16	10004	Nut, Lock 3/8-24	1
17	3647	Lever, Clutch	1
18	3699	Lever Lock, Clutch	1
19	10315	Screw, Cap 1/4-20 x 1-1/2	1
20	10314	Screw, Cap 1/4-20 x 1-3/4	1
21	10015	Nut, Lock 1/4-20	2
22	3648	Cable, Clutch 3/32 x 70	1
23	3649	Cable Housing, Clutch 57"	1
24	4611	Sleeve, Nicropress Single 3/32	1
25	4612	Cable Retainer Tube, Clutch	1
26	3611	Cable, Throttle Lever-Type 54" (Gasoline Models Only)	1
27	10455	Washer, Ext. Tooth #10	2
28	10828	Screw, Self-Tap 10-24 x 1/2	2

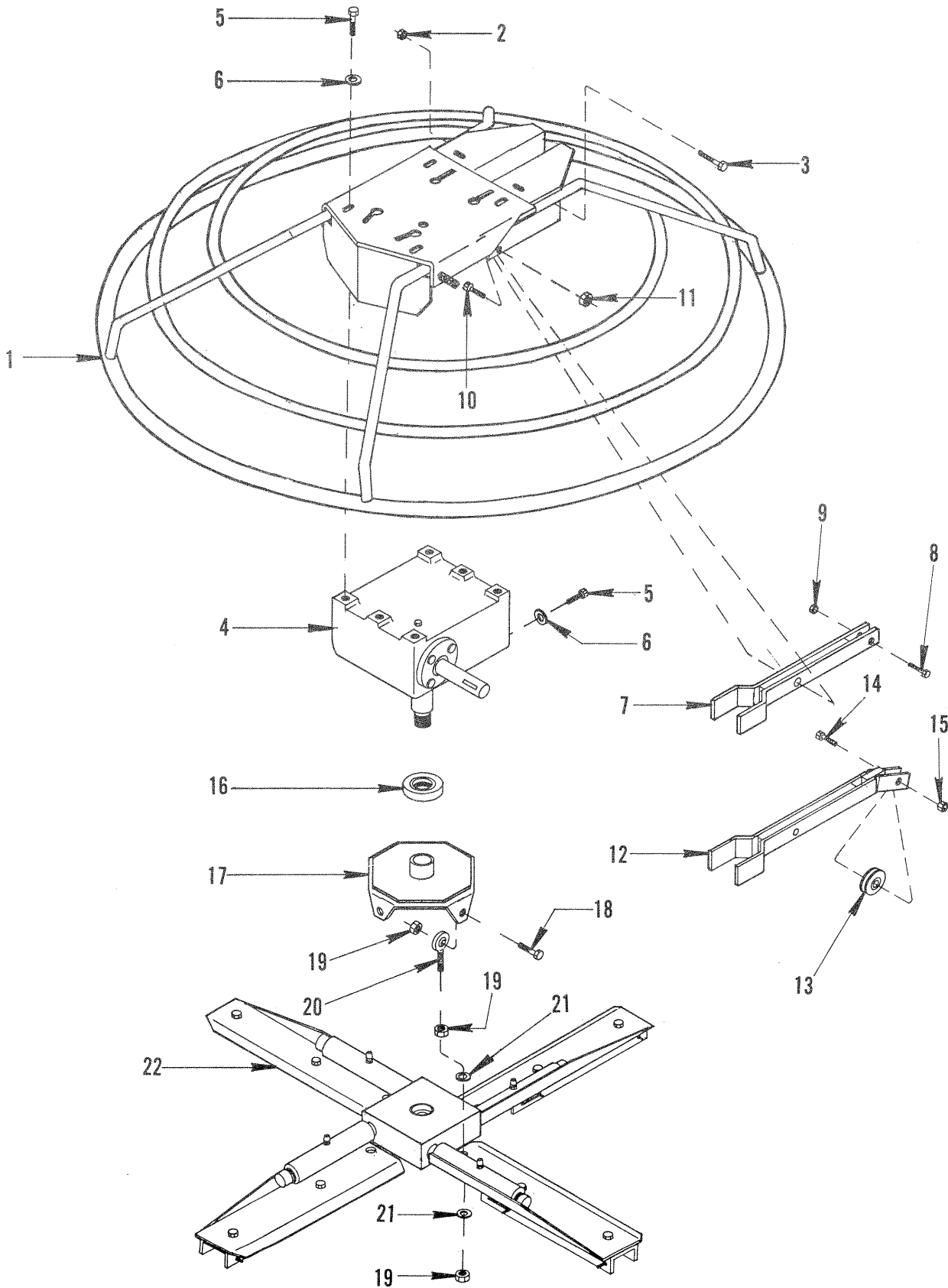
ILLUSTRATION 2 :
 HANDLE ASSEMBLY
 w/OPTIONAL "LEV-L-IT"
 SYSTEM



PARTS LISTING - ILLUSTRATION 2:
HANDLE ASSEMBLY W/ OPTIONAL "LEV-L-IT" SYSTEM

Item #	Part #	Description	Qty.
1	C84010	Handle for LEV-L-IT System	1
2	79022	Grip, Hand 1" Hunt	2
3	3661	Decal, Blade Angle	1
4	3614	Knob, Control W/ 1/2-13x12"Rod	1
5	3642	Bearing, Ball 1/2"ID Thrust	1
6	3616	Handle Cap	1
7	10455	Washer, Ext. Tooth #10	1
8	10828	Screw, Self-Tap 10-24 x 1/2	1
9	3617	Linkage, Adjusting	1
10	3618	Sleeve, Nicropress Double 3/16	2
11	C84011	Cable, Control 3/16 x 50 for LEV-L-IT System only	1
12	4610	Cable Thimble 3/16	1
13	3621	Pulley Bearing 1-3/4"Dia.	2
14	10025	Washer, Flat 3/8	4
15	10029	Screw, Cap 3/8-24 x 1-3/4	2
16	10004	Nut, Lock 3/8-24	2
17	14023	Knob, Ball 1/2-13 x 1-3/8"Rd.	1
18	C84012	Lever, LEV-L-IT Control	1
19	C84013	Pin, Pivot 3/8 x 1-1/8	1
20	C10618	Retaining Ring, E-Clip 3/8	2
21	C84014	Linkage, Connecting	2
22	10336	Screw, Cap 3/8-24 x 2-1/4	2
23	10025	Washer, Flat 3/8	8
24	10011	Spacer, Steel 3/8"ID x 3/8"W	4
25	10004	Nut, Lock 3/8-24	2
26	10919	Rod End, Female 3/8-24	2
27	10014	Nut 3/8-24	2
28	C84015	Linkage, Rod 3/8-24 x 32	1
29	10011	Spacer, Steel 3/8"ID x 3/8"W	4
30	10025	Washer, Flat 3/8	12
31	10336	Screw, Cap 3/8-24 x 2-1/4	3
32	10004	Nut, Lock 3/8-24	3
33	C84016	Bracket, Pitch	2

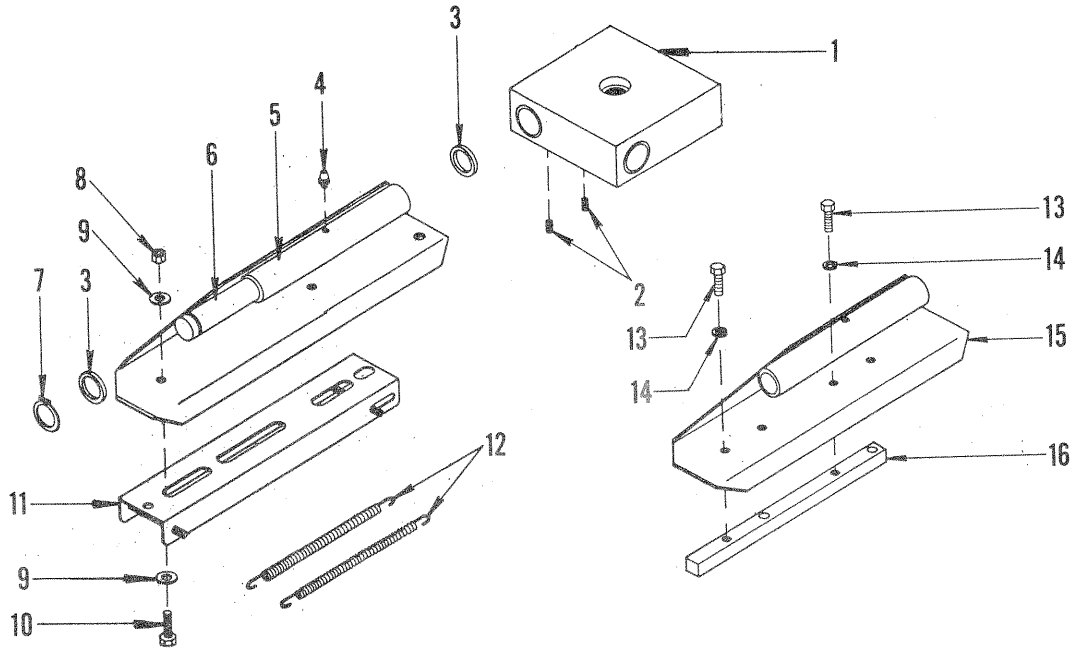
ILLUSTRATION 3 : FRAME DECK W/ GUARD RING & SPIDER ASSEMBLY



PARTS LISTING - ILLUSTRATION 3:
FRAME DECK W/ GUARD RING & SPIDER ASSEMBLY

Item #	Part #	Description	Qty.
1		Frame W/ Guard Ring	1
	3662	30" Models	
	3644	36" Models	
2	10004	Nut, Lock 3/8-24	2
3	10029	Screw, Cap 3/8-24 x 1-3/4	2
4	3664	Transmission	1
		See Illus. 5 for Breakdown	
5	10055	Screw, Cap 3/8-16 x 1	6
6	10811	Washer, Lock 3/8	6
7	3625	Fork, Adjusting (Standard)	1
8	10816	Screw, Cap 3/8-24 x 1-1/2	1
9	10004	Nut, Lock 3/8-24	1
10	10029	Screw, Cap 3/8-24 x 1-3/4	1
11	10004	Nut, Lock 3/8-24	1
12	C84017	Fork, Adjusting (Optional) for LEV-L-IT System only	1
13	3621	Pulley Bearing 1-3/4"	1
14	10029	Screw, Cap 3/8-24 x 1-3/4	1
15	10004	Nut, Lock 3/8-24	1
16	3609	Bearing, Ball 1-1/2"ID Thrust	1
17	3626	Plate, Pitch Adjustment	1
18	10021	Screw, Cap 3/8-24 x 1	4
19	10004	Nut, Lock 3/8-24	12
20	3605	Rod End, Male 3/8-24	4
21	10025	Washer, Flat 3/8	8
22		Spider Assembly, 4-Blade (See Illus. 4 for Breakdown)	1
	3620	30" Model, T304	
	3697	36" Model, T364	

ILLUSTRATION 4 : SPIDER ASSEMBLY (4-BLADE)

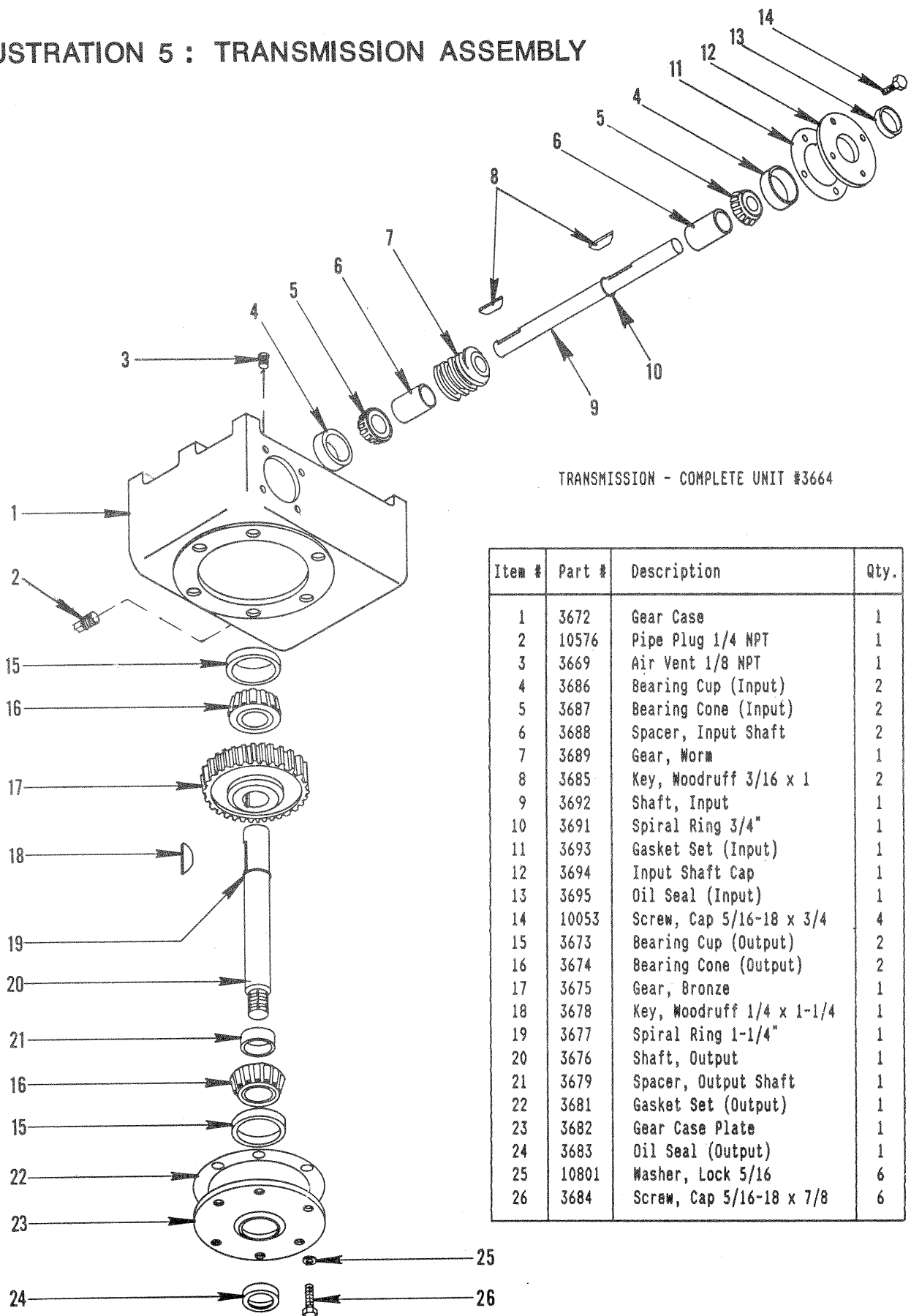


#3620 T304 SPIDER ASSEMBLY, 4-BLADE
 #3697 T364 SPIDER ASSEMBLY, 4-BLADE
 (SEE ILLUSTRATION 3 - ITEM #22)

Item #	Part #	Description	Qty.
1	3637	Hub, 4-Blade	1
2	10052	Screw, Set 5/16-18 x 3/8	8
3	3629	Spacer, Copper Thrust 1" ID	8
4	10808	Fitting, Grease 1/4-28	4
5		Arm, Blade (T304 or T364)	4
	3666	Arm, Model T304 (11" Long)	
	3607	Arm, Model T364 (13" Long)	
6	3635	Shaft, Blade Arm 9-11/16" (Same for T364 or T304)	4
7	10906	Retaining Ring, Ext. 1"	4
8	10807	Nut, Lock 5/16-18	8
9	10213	Washer, Flat 5/16	16
10	10053	Screw, Cap 5/18-18 x 3/4	8
11	40197	Adapter "A" (Complete)	4
		Includes the following parts:	
	3608	Adapter Only (1001)	1 ea.
	3606	Retainer, Roll Pin	1 ea.
	3610	Pin, Roll 1/4 x 2-3/4	2 ea.
12	3636	Spring, Ext. 6"L ("A" Adapter) (Included W/ Adapter #40197)	2 ea.
13	10053	Screw, Cap 5/16-18 x 3/4	8
14	10807	Washer, Lock 5/16	8
*15	3638	Arm, Conventional Blade (Opt.)	4
*16	3639	Adapter Bar, Conventional Blade (Optional - see note)	4

* Note:
 Items 15 & 16 are used on 36" Trowel (T364)
 when using conventional style blades.

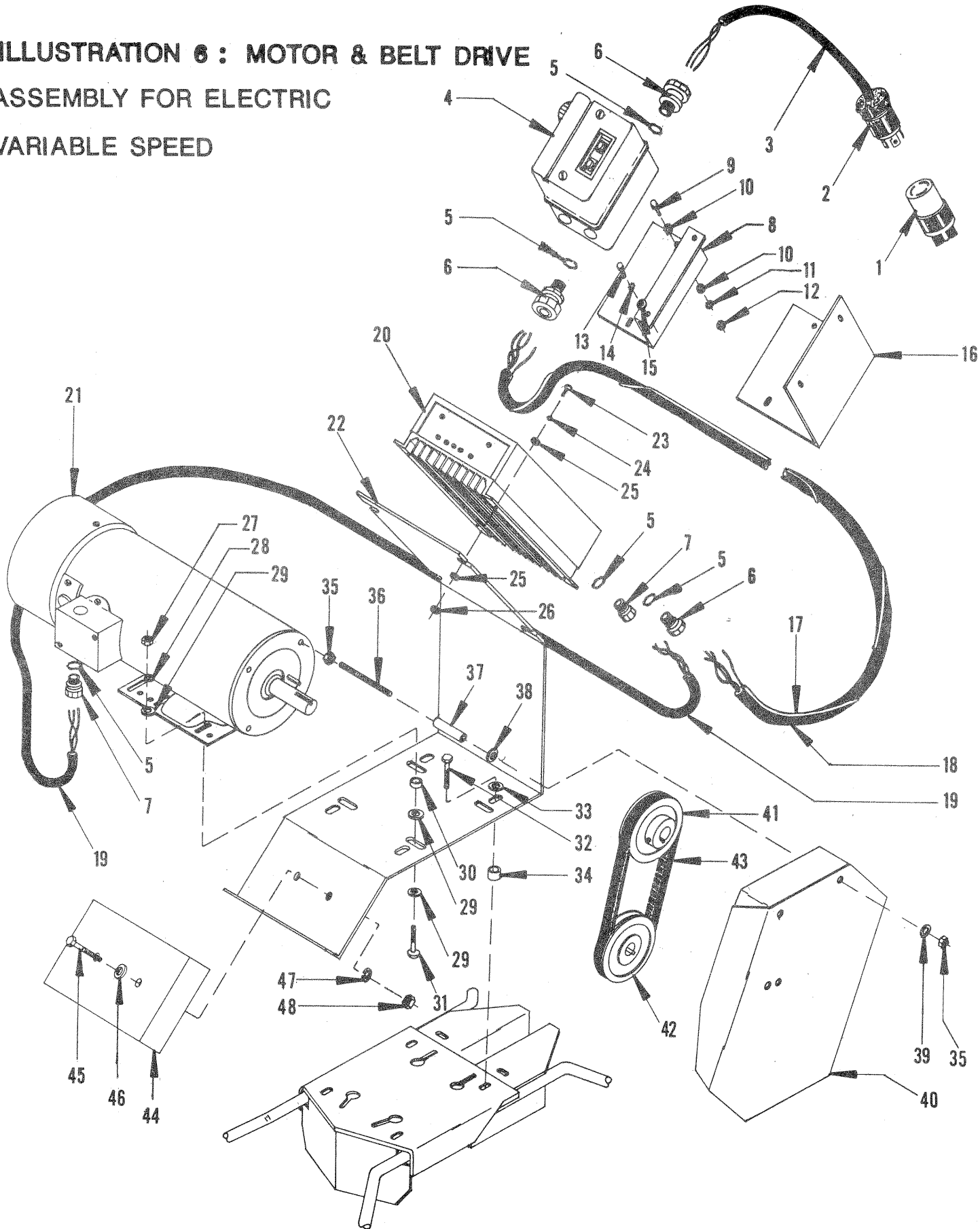
ILLUSTRATION 5 : TRANSMISSION ASSEMBLY



TRANSMISSION - COMPLETE UNIT #3664

Item #	Part #	Description	Qty.
1	3672	Gear Case	1
2	10576	Pipe Plug 1/4 NPT	1
3	3669	Air Vent 1/8 NPT	1
4	3686	Bearing Cup (Input)	2
5	3687	Bearing Cone (Input)	2
6	3688	Spacer, Input Shaft	2
7	3689	Gear, Worm	1
8	3685	Key, Woodruff 3/16 x 1	2
9	3692	Shaft, Input	1
10	3691	Spiral Ring 3/4"	1
11	3693	Gasket Set (Input)	1
12	3694	Input Shaft Cap	1
13	3695	Oil Seal (Input)	1
14	10053	Screw, Cap 5/16-18 x 3/4	4
15	3673	Bearing Cup (Output)	2
16	3674	Bearing Cone (Output)	2
17	3675	Gear, Bronze	1
18	3678	Key, Woodruff 1/4 x 1-1/4	1
19	3677	Spiral Ring 1-1/4"	1
20	3676	Shaft, Output	1
21	3679	Spacer, Output Shaft	1
22	3681	Gasket Set (Output)	1
23	3682	Gear Case Plate	1
24	3683	Oil Seal (Output)	1
25	10801	Washer, Lock 5/16	6
26	3684	Screw, Cap 5/16-18 x 7/8	6

**ILLUSTRATION 6 : MOTOR & BELT DRIVE
ASSEMBLY FOR ELECTRIC
VARIABLE SPEED**



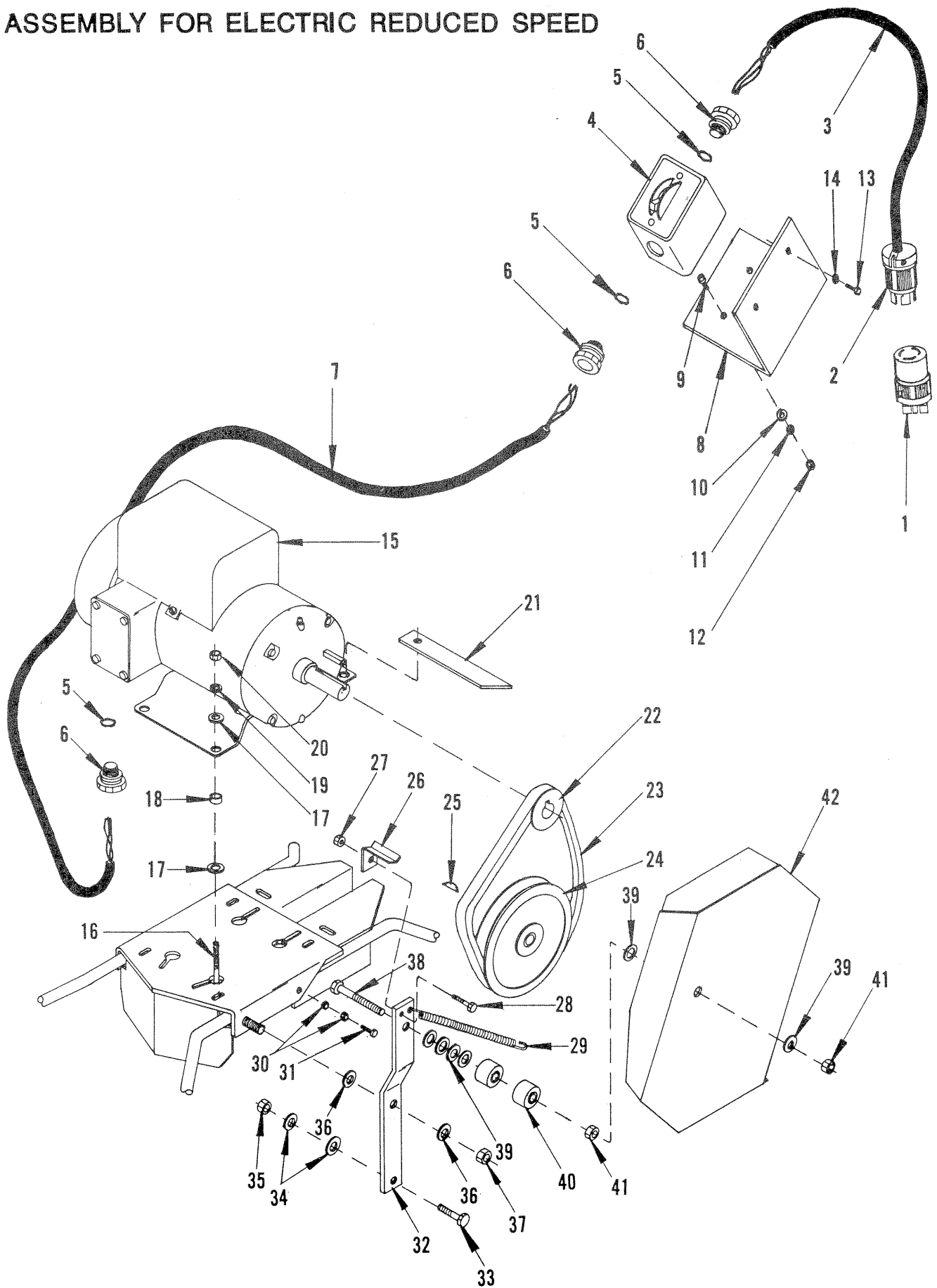
PARTS LISTING - ILLUSTRATION 6:
MOTOR & BELT DRIVE ASSEMBLY
FOR ELECTRIC VARIABLE SPEED

Item #	Part #	Description	Qty.
1	40000	Plug Connector 20A/250V	1
2	40037	Plug 20A/250V	1
3	C84018	Wire Harness 12/3 x 24"	1
4	C84019	Starter Assembly	1
5	10790	Conduit Locknut 1/2 NPT	5
6	10949	Connector, Strain Relief 1/2NPT x .500-.625"Range	3
7	41130	Connector, Strain Relief 1/2NPT x .550-.650"Range	2
8	77059	Mount, Starter (Standard)	1
9	10862	Screw, Machine 8-32 x 7/8	2
10	10850	Washer, Flat #10	4
11	10461	Washer, Int. Tooth #8	2
12	10462	Nut 8-32	2
13	10846	Screw, Self-Tap 1/4-20 x 1/2	2
14	10455	Washer, Ext. Tooth #10	2
15	10602	Washer, Flat 1/4	2
16	C84020	Mount, Starter (Optional W/ LEV-L-IT System)	1
17	C84021	Wire 22/3 x 72"	1
18	C84022	Wire Harness 12/3 x 60"	1
19	C84023	Wire Harness 12/3 x 38"	1
20	16111	Control, Adjustable Speed Assembly with Heat Sink	1
21	16008	Motor, Leeson 1.5 HP-180VDC	1
22	C84024	Mount, Motor & Speed Control	1
23	10830	Screw, Machine 10-32 x 1/2	4
24	10831	Washer, Int. Tooth #10	4
25	10850	Washer, Flat #10	8
26	10832	Nut 10-32	4
27	10054	Nut 5/16-18	4
28	10801	Washer, Lock 5/16	4
29	10213	Washer, Flat 5/16	12
30	10011	Spacer, Steel 3/8"ID x 3/8"W	4
31	10817	Bolt, Carr. 5/16-18 x 1-1/2	4
32	10333	Screw, Cap 3/8-16 x 1-1/4	4
33	10811	Washer, Lock 3/8	4
34	10011	Spacer, Steel 3/8"ID x 3/8"W	4
35	10404	Nut 3/8-16	6
36	C84025	Rod, Allthread 3/8-16 x 3-1/2	3
37	C84026	Spacer Tube 5/8 x 3/8 x 2-1/8	3
38	10025	Washer, Flat 3/8	3
39	10811	Washer, Lock 3/8	3
40	3651	Cover, Belt	1
41	10550	Sheave 4.5"OD x 1Gr.B x 7/8"B	1
42	10551	Sheave 4.5"OD x 1Gr.B x 3/4"B	1
43	10023	Belt 5L-280	1
44	C84027	Weight Block (Optional)	1
45	10357	Screw, Cap 1/2-13 x 2-1/4	2
46	10312	Washer, Flat 1/2	2
47	10045	Washer, Lock 1/2	2
48	10417	Nut 1/2-13	2

PARTS LISTING - ILLUSTRATION 7:
 OPTIONAL 230 VOLT LIGHT ASSEMBLY
 FOR ELECTRIC VARIABLE SPEED

Item #	Part #	Description	Qty.
1	C84006	Light, Flood 75W	1
2	C84007	Lamp Holder	1
3	C84008	Lamp Holder Box Cover	1
4	C84028	Mount Brkt. Assy., Light	1
5	10031	Screw, Cap 1/4-20 x 1	1
6	10013	Nut 1/4-20	1
7	10038	Washer, Lock 1/4	1
8	10833	Screw, Machine 10-32 x 3/4	2
9	10832	Nut 10-32	2
10	10831	Washer, Int. Tooth #10	2
11	10790	Conduit Lock Nut 1/2 NPT	2
12	40066	Connector, Strain Relief 1/2NPT x .350-.450"Range	2
13	C84029	Wire Harness 16/3 x 66"	1
14	-----	Control, Adjustable Speed (See Illus. 6 - Item #20)	
15	10652	Switch, Toggle DPST	1
16	-----	Mount, Motor & Speed Control (See Illus. 6 - Item #22)	

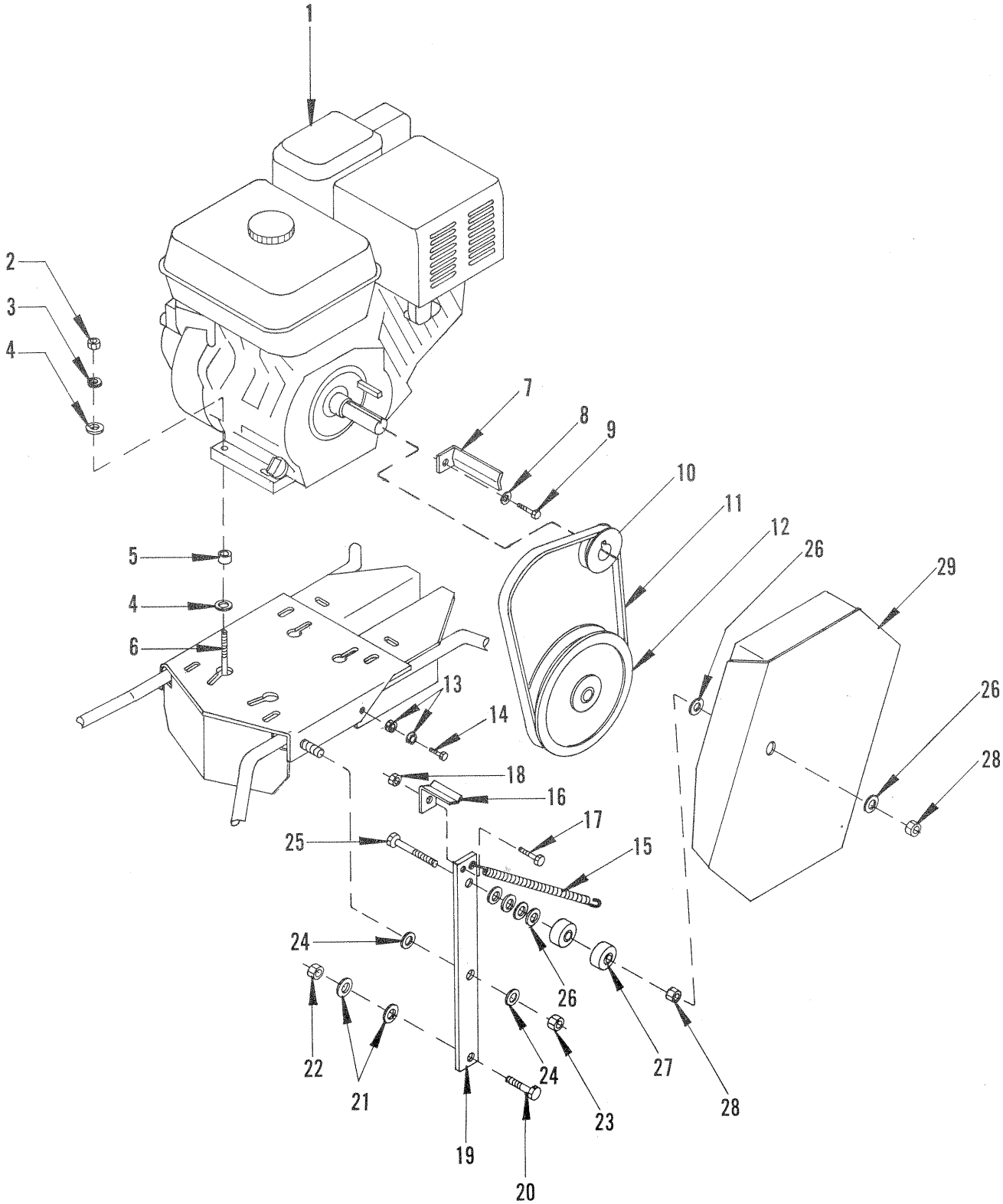
**ILLUSTRATION 8 : MOTOR & BELT DRIVE
ASSEMBLY FOR ELECTRIC REDUCED SPEED**



PARTS LISTING - ILLUSTRATION 8:
MOTOR & BELT DRIVE ASSEMBLY
FOR ELECTRIC REDUCED SPEED

Item #	Part #	Description	Qty.
1	40000	Plug Connector 20A/250V	1
2	40037	Plug 20A/250V	1
3	C84018	Wire Harness 12/3 x 24"	1
4	77027	Switch & Box Assembly	1
5	10790	Conduit Lock Nut 1/2 NPT	3
6	41130	Connector, Strain Relief 1/2NPT x .550-.650"Range	3
7	C84030	Wire Harness 12/3 x 65"	1
8	C84020	Mount Brkt., Switch for LEV-L-IT System Only	1
9	10828	Screw, Self-Tap 10-24 x 1/2	2
	10018	Screw, Cap 1/4-20 x 3/4	2
10	10602	Washer, Flat 1/4	2
11	10038	Washer, Lock 1/4	2
12	10013	Nut 1/4-20	2
13	10828	Screw, Self-Tap 10-32 x 1/2	2
14	10831	Washer, Int. Tooth #10	2
15	14004	Motor, Baldor 1-1/2 HP - 1 PH	1
	14001	Motor, Baldor 2 HP - 1 PH	1
16	10820	Bolt, Carr. 5/16-18 x 1-1/4	3
	10918	Bolt, Carr. 5/16-18 x 1-3/4	1
17	10213	Washer, Flat 5/16	8
18	10011	Spacer, Steel 3/8"ID x 3/8"W	4
19	10801	Washer, Lock 5/16	4
20	10054	Nut 5/16-18	5
21	3624	Bracket, Belt Stop	1
22	10552	Sheave 2.5"OD x 1Gr.B x 3/4"B	1
23	10221	Belt 5L-340 (8" Trans. Sheave)	1
	10272	Belt 5L-320 (7" Trans. Sheave)	1
24	10548	Sheave 8"OD x 1Gr.B x 3/4"B	1
	10549	Sheave 7"OD x 1Gr.B x 3/4"B	1
25	3685	Key, Woodruff 3/16 x 1	1
26	3656	Bracket, Belt Stop 1-3/4"	1
27	10807	Nut, Lock 5/16-18	1
28	10053	Screw, Cap 5/16-18 x 3/4	1
29	3658	Spring, Idler Return	1
30	10832	Nut 10-32	2
31	10833	Screw, Machine 10-32 x 3/4	1
32	4602	Arm, Clutch	1
33	3646	Screw, Cable Anchor 3/8-24 x 1	1
34	10025	Washer, Flat 3/8	2
35	10004	Nut 3/8-24	1
36	10312	Washer, Flat 1/2	2
37	10205	Nut, Lock 1/2-20	1
38	10202	Screw, Cap 1/2-20 x 3	1
39	10312	Washer, Flat 1/2	6
40	3659	Bearing, Ball 1/2 x 1-3/8	2
41	10205	Nut, Lock 1/2-20	2
42	C84031	Cover, Belt 8"	1

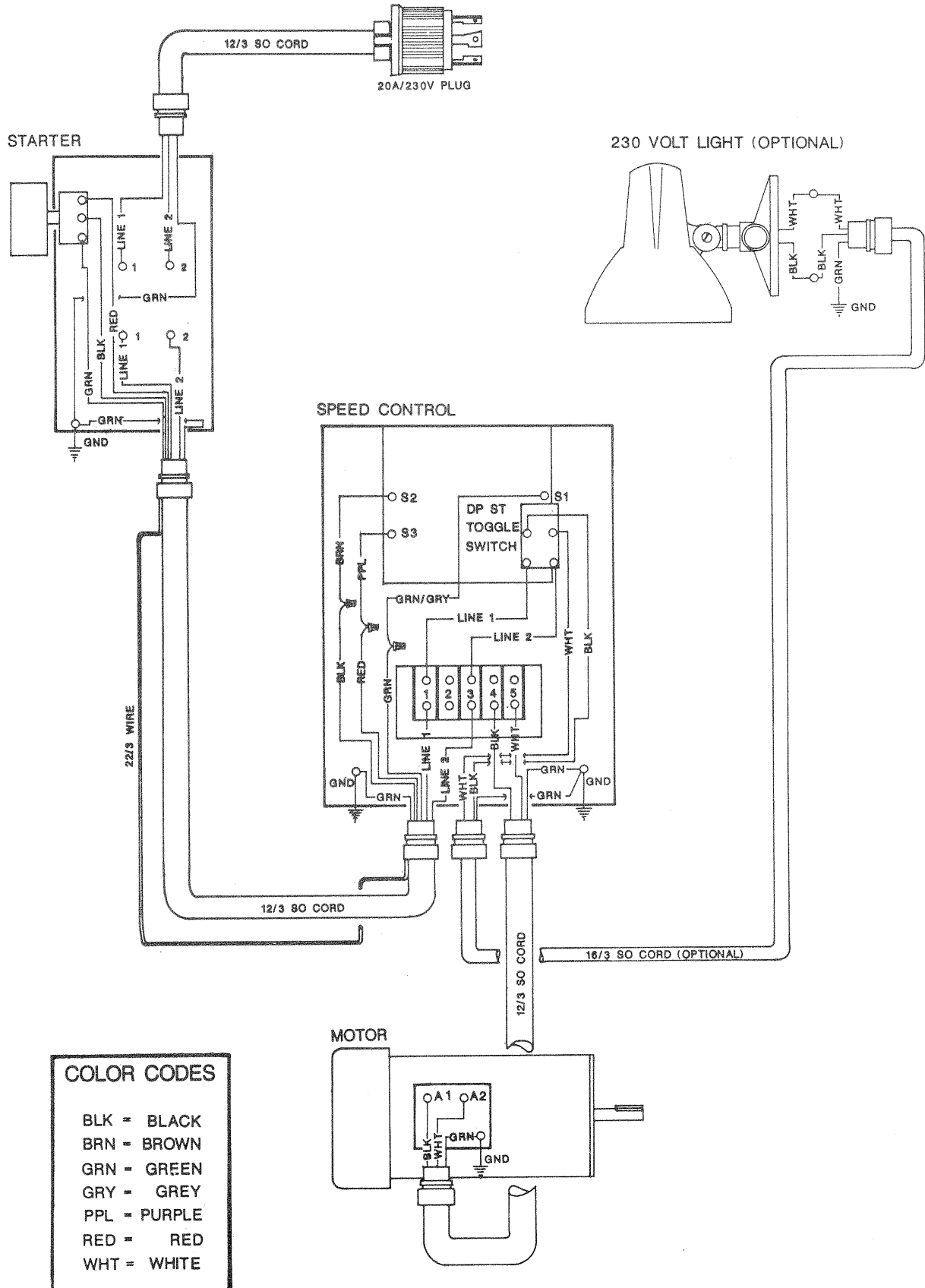
ILLUSTRATION 9 : ENGINE & BELT DRIVE ASSEMBLY
GASOLINE REDUCED SPEED



PARTS LISTING - ILLUSTRATION 9:
ENGINE & BELT DRIVE ASSEMBLY
GASOLINE REDUCED SPEED

Item #	Part #	Description	Qty.
1	40387	Engine, Honda 5.5 HP (Shown)	1
	3667	Engine, B & S 5 HP	1
2	10054	Nut 5/16-18	4
3	10801	Washer, Lock 5/16	4
4	10213	Washer, Flat 5/16	8
5	10011	Spacer, Steel 3/8"ID x 3/8"W	4
6	10056	Bolt, Carr. 5/18-18 x 2"	4
7	3652	Bracket, Belt Stop 3"	1
8	10801	Washer, Lock 5/16	1
9	10048	Screw, Cap 5/16-24 x 3/4	1
10	10552	Sheave 2.5"OD x 1Gr.B x 3/4"B	1
11	10035	Belt 5L-330	1
12	10548	Sheave 8"OD x 1Gr.B x 3/4"B	1
13	10832	Nut 10-32	2
14	10833	Screw 10-32 x 3/4	1
15	3658	Spring, Idler Return	1
16	3656	Bracket, Belt Stop 1-3/4"	1
17	10053	Screw, Cap 5/16-18 x 3/4	1
18	10054	Nut, Lock 5/16-18	1
19	C84032	Arm, Clutch	1
20	3646	Screw, Cable Anchor 3/8-24 x 1	1
21	10025	Washer, Flat 3/8	2
22	10004	Nut, Lock 3/8-24	1
23	10205	Nut, Lock 1/2-20	1
24	10312	Washer, Flat 1/2	2
25	10202	Screw, Cap 1/2-20 x 3	1
26	10312	Washer, Flat 1/2	6
27	3659	Bearing, Ball 1/2 x 1-3/8	2
28	10205	Nut, Lock 1/2-20	2
29	C84031	Cover, Belt 8"	1

WIRING DIAGRAM FOR VARIABLE SPEED TROWEL

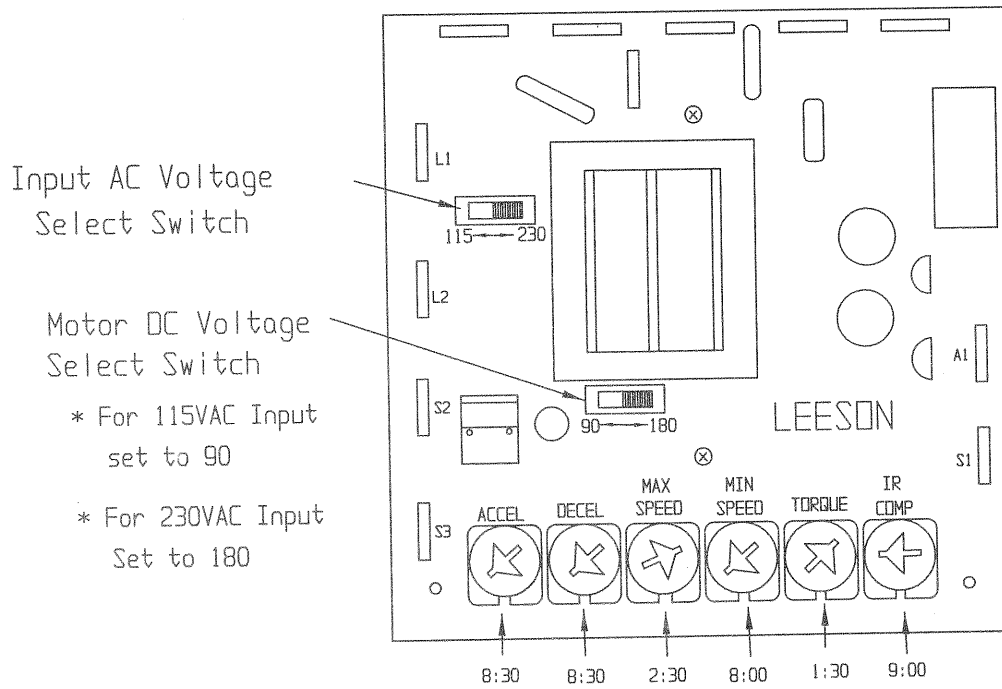


COLOR CODES	
BLK	= BLACK
BRN	= BROWN
GRN	= GREEN
GRY	= GREY
PPL	= PURPLE
RED	= RED
WHT	= WHITE

VARIABLE SPEED CONTROL

REVISED 8/97

VOLTAGE SELECT SWITCH AND TRIM POT SETTINGS



Input AC Voltage Select Switch

Motor DC Voltage Select Switch

* For 115VAC Input set to 90

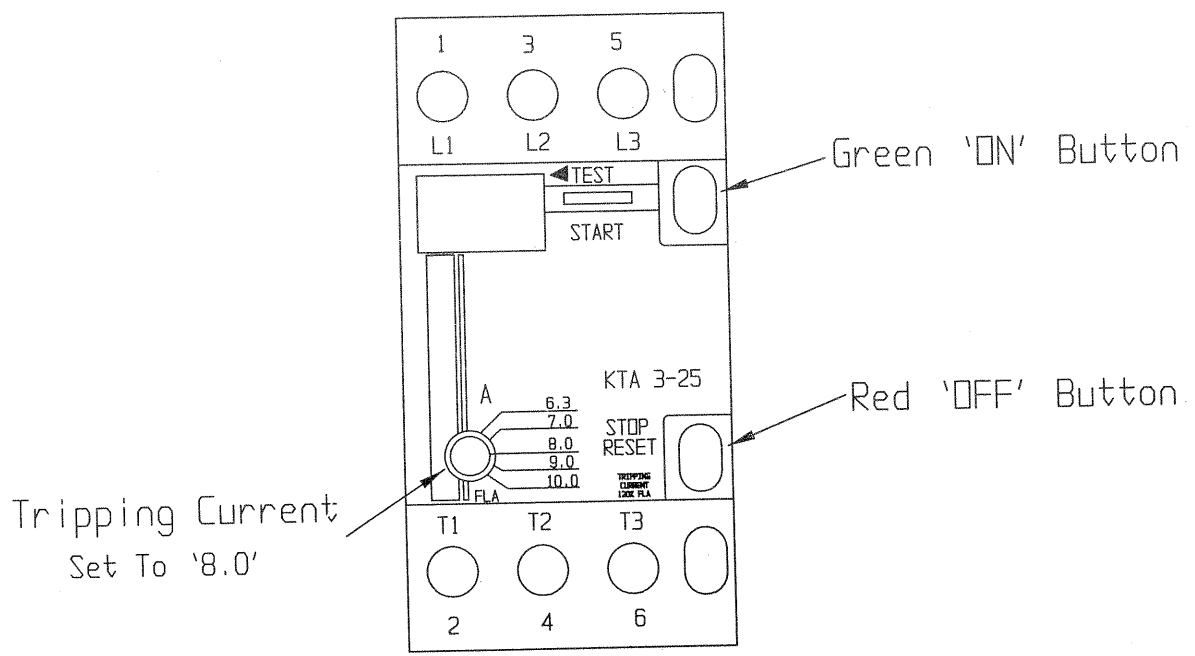
* For 230VAC Input Set to 180

Set To Following 'Clock' Positions

(For Heavy Loads, Increase 'Torque' Setting Clockwise: 4:00 Max)

STARTER ASSEMBLY

CURRENT TRIP POTENTIOMETER SETTING



Tripping Current Set To '8.0'

Green 'ON' Button

Red 'OFF' Button

LIMITED EQUIPMENT WARRANTY

Equipment Development Company, Inc. herein referred to as EDCO warrants that each new unit manufactured by EDCO to be free from defects in material and workmanship in normal use and service for a period of (1) one year (except in the case of the cutter drum assembly on all model concrete asphalt planes, in which case the warranty period shall be 90 days) from date of shipment to the original retail or equipment rental center owner.

EDCO will, at its option, repair or replace, at the EDCO factory or at a point designated by EDCO any part, which shall appear to the satisfaction of EDCO inspection to have been defective in material or workmanship.

This warranty, does not apply to failure occurring as a result of abuse, misuse, negligent repairs, corrosion, erosion, normal wear and tear, alterations or modifications made to the product without express written consent of EDCO: or failure to follow the recommended operating practices and maintenance procedures as provided in the products operating and maintenance manuals.

This warranty does not obligate EDCO to bear any transportation charges in connection with the replacement or repair of defective parts. This warranty does not obligate EDCO to bear any expense for travel time or of personnel in correction with any service calls.

Accessories or equipment furnished and installed on the product by EDCO but manufactured by others, including but not limited to engines, motors, electrical equipment, transmissions, etc., shall carry the accessory manufacturers' own warranty.

THIS WARRANTY IS IN LIEU OF ALL OTHER WARRANTIES, EXPRESSED OR IMPLIED, OR STATUTORY, INCLUDING ANY WARRANTIES OF MERCHANTABILITY OR OF FITNESS FOR A PARTICULAR PURPOSE.

LIABILITY LIMITATIONS

The remedies of the user set forth under provisions of warranty outlines above are the exclusive and total liability of EDCO with the respect to their sale or the equipment and service furnished hereunder, in connection with the performance or breach thereof, or from the sale, delivery, installation, repair or technical direction covered by or furnished under the sale, whether based on contract, warranty, negligence, indemnity, strict liability, or otherwise shall not exceed the purchase price of the unit of equipment upon which such liability is based.

EDCO will not in any event be liable to the user, any successors in interest or any beneficiary or assignee relating to this sale for any consequential, incidental, indirect, special or punitive damages arising out of this sale or any breach thereof, or any defects on, or failure of, or malfunction of the equipment under this sale based upon loss of use, lost profits or revenue, interest, lost goodwill, work stoppage, impairment of other goods, loss by reason of shutdown or non-operation, increased expenses of operation of the equipment, cost of purchase or replacement power of claims of users or customers of the user for service interruption whether or not such loss or damage is based on contract, warranty, negligence, indemnity, strict liability, or otherwise.

EDCO reserves the right to modify, alter and improve any part or parts without incurring any obligation to replace any part or parts previously sold without such modified, altered or improved part or parts.

No person is authorized to give any other warranty or to assume any additional obligation on EDCO's behalf unless made in writing and signed by an officer of EDCO.

Equipment Development Company, Inc.

USE ONLY GENUINE EDCO PARTS AND ACCESSORIES

For your own safety, the safety of others and the life of your machine

PLEASE FILL IN INFORMATION AND SAVE

Date of Purchase _____

Name of Machine _____

Model # _____

Serial # _____

Belt Size(s) _____

HOW TO ORDER REPAIR PARTS

- To insure product safety and reliability, always use genuine EDCO replacement parts when making repairs to the equipment.
- When ordering parts, please specify the MODEL and SERIAL NUMBER of the machine as given on the NAME PLATE. In addition, give part number, description and quantity as listed on the parts list.
- Please note: Due to improvements and changes in the equipment, the illustrations shown may be different than the actual machine.

Printed in USA



EQUIPMENT DEVELOPMENT COMPANY, INC.

100 THOMAS JOHNSON DRIVE, FREDERICK, MD 21702-4600 USA

Phone (301) 663-1600 • 1-800-638-3326 Fax (301) 663-1607 • 1-800-447-3326 Website: www.edcoinc.com Email: sales@edcoinc.com ©1998