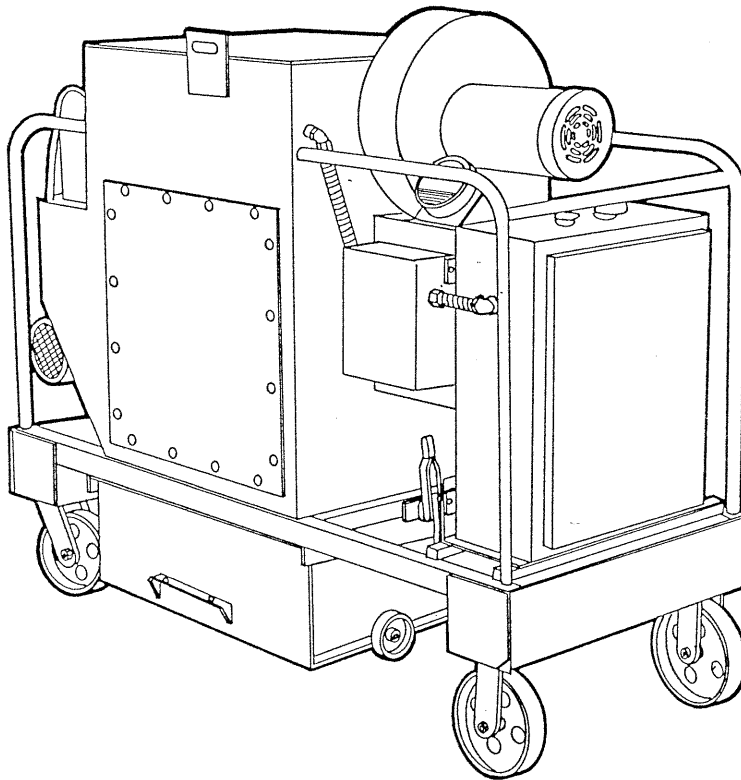


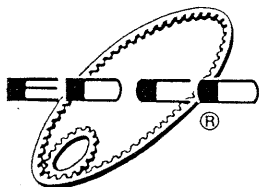
MAR. 1, 1991

# DUST COLLECTOR VACUUM

## PARTS LIST MANUAL



Model VAC-500



**EQUIPMENT DEVELOPMENT COMPANY, INC.**

100 THOMAS JOHNSON DRIVE, FREDERICK, MARYLAND 21702-4305 USA  
301-663-1600 TOLL FREE 1-800-638-3326 FAX 301-663-1607

FIG. 1: MAIN FRAME ASSEMBLY

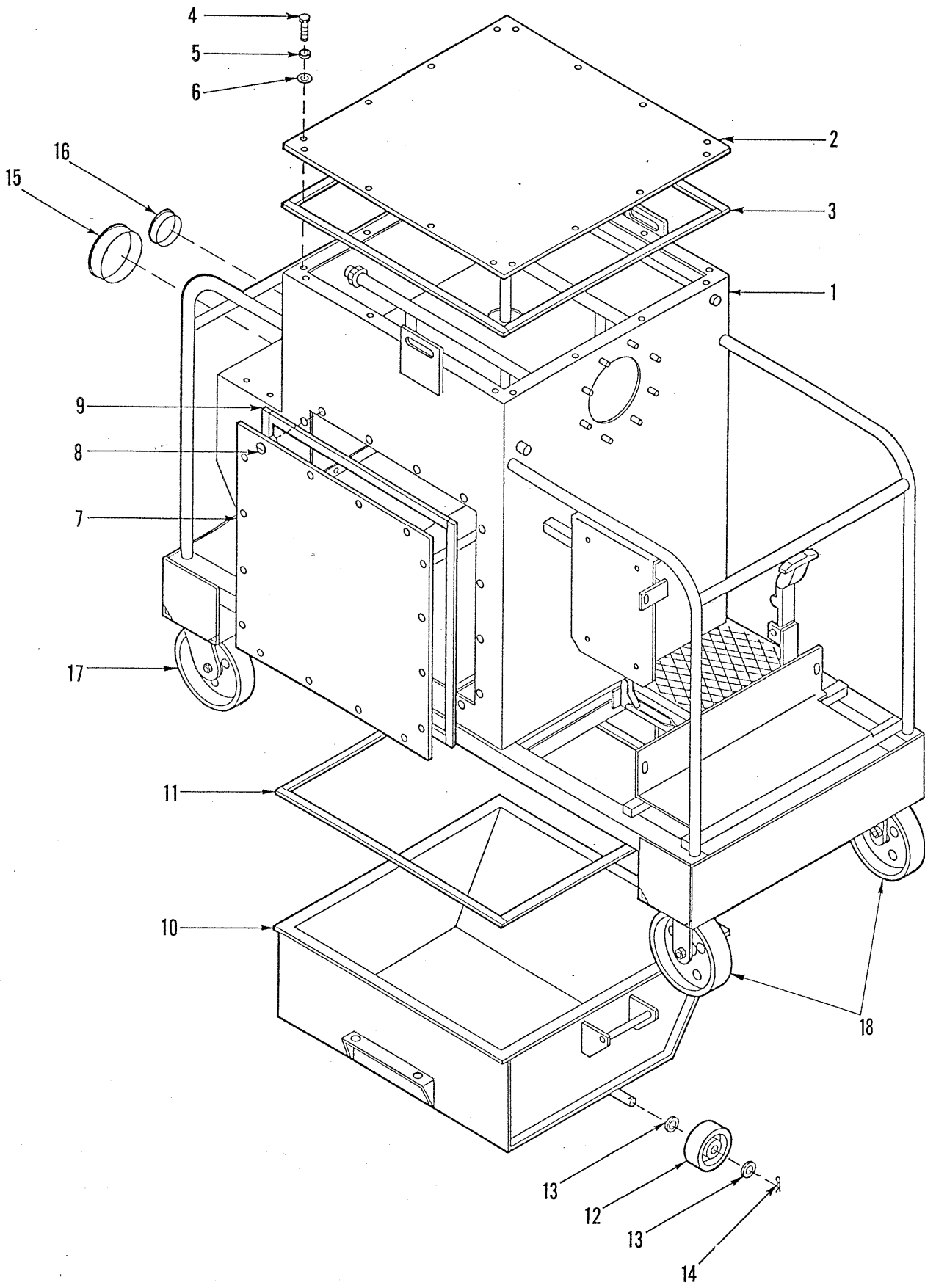
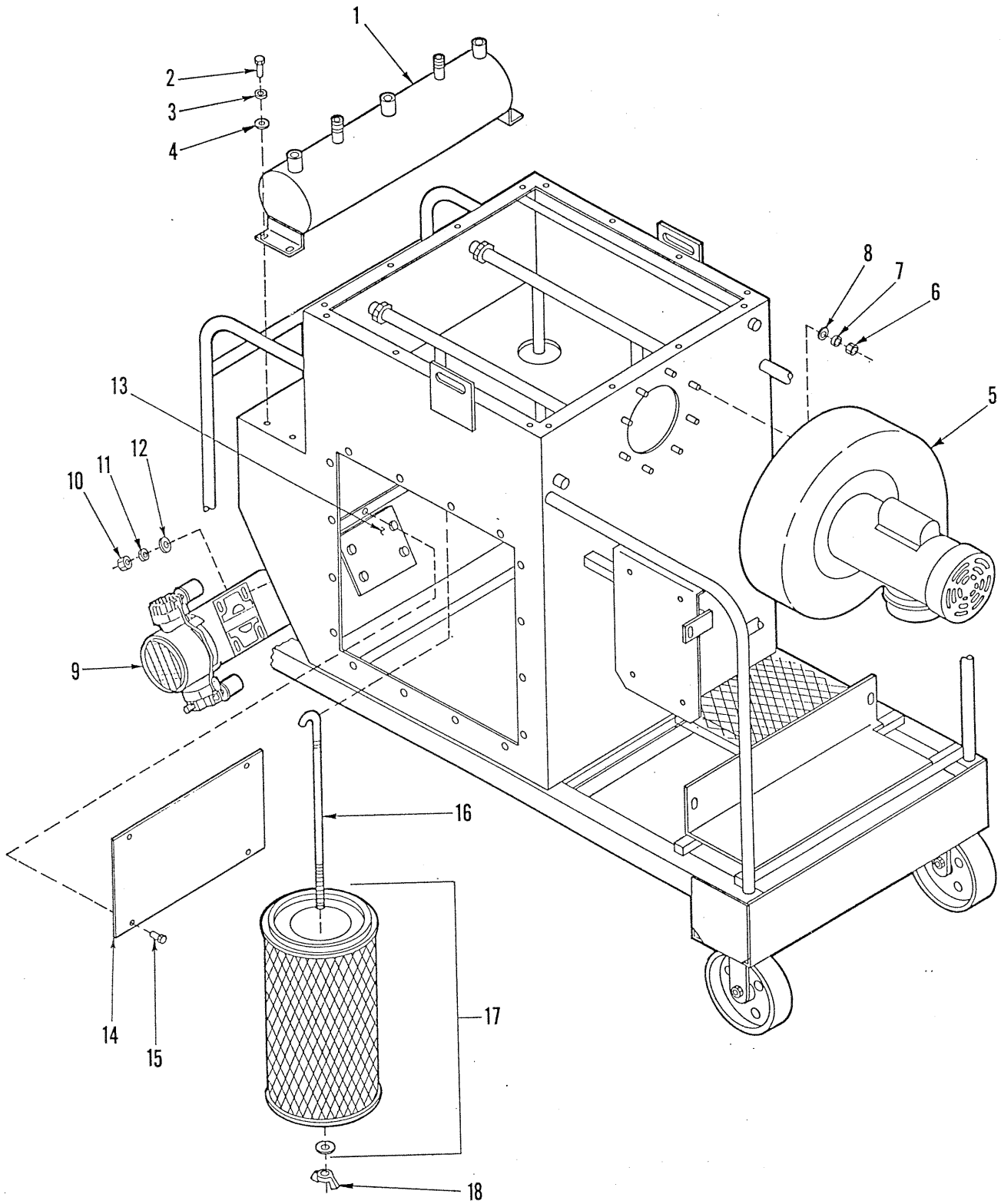


FIG. 2: AIR SYSTEM GROUPING



## PARTS LISTING - FIG. 1: MAIN FRAME ASSEMBLY

Item #	Part #	Description	Qty.
1.	C90270	Frame, Main	1
2.	C90271	Door, Top Access	1
3.	C90272	Seal 3/4"W x 28-3/4"L	2
	& C90273	Seal 3/4"W x 26-3/4"L	2
4.	10806	Screw, Cap 5/16-18 x 1	16
5.	10801	Washer, Lock 5/16	16
6.	10213	Washer, Flat 5/16	16
7.	C90274	Door, Side Access	1
8.	C90160	Fastener, 1/4 Turn	16
9.	C90275	Seal 3/4"W x 24"L	2
	& C90276	Seal 3/4"W x 22-1/2"L	2
10.	C90277	Pan, Dust Collector	1
11.	C90272	Seal 3/4"W x 28-3/4"L	2
	& C90273	Seal 3/4"W x 26-3/4"L	2
12.	52001	Wheel 4 x 1-1/2 x 3/4"Brg.	2
13.	10009	Washer, Flat 3/4	4
14.	10306	Pin, Cotter 3/16 x 1-1/2	2
15.	C90244	Caplug 5"	1
16.	64030	Caplug 3"	1
17.	C90056	Caster, Swivel 8 x 2 Poly	2
18.	C90055	Caster, Rigid 8 x 2 Poly	2

## PARTS LISTING - FIG. 2: AIR SYSTEM GROUPING

Item #	Part #	Description	Qty.
1.	C90232	Tank, Air (See Fig. 6 for Plumbing)	1
2.	10806	Screw, Cap 5/16-18 x 1"	4
3.	10801	Washer, Lock 5/16	4
4.	10213	Washer, Flat 5/16	4
5.	C90220	Blower, Pressure W/ Motor	1
6.	10014	Nut 3/8-24	8
7.	10811	Washer, Lock 3/8	8
8.	10025	Washer, Flat 3/8	8
9.	C90217	Compressor, Air 1HP-3PH (See Fig. 6 for Plumbing)	1
10.	10054	Nut 5/16-18	4
11.	10801	Washer, Lock 5/16	4
12.	10213	Washer, Flat 5/16	4
13.	C90281	Mount, Compressor	1
14.	C90279	Baffle Plate	1
15.	10018	Screw, Cap 1/4-20 x 3/4	4
16.	C65108	Rod, Filter Hanger	4
17.	C90202	Filter, 9" x 18" Standard	4
	or C90225	Filter, Moisture Resistant (Optional)	4
18.	10900	Nut, Wing 1/2-13	4

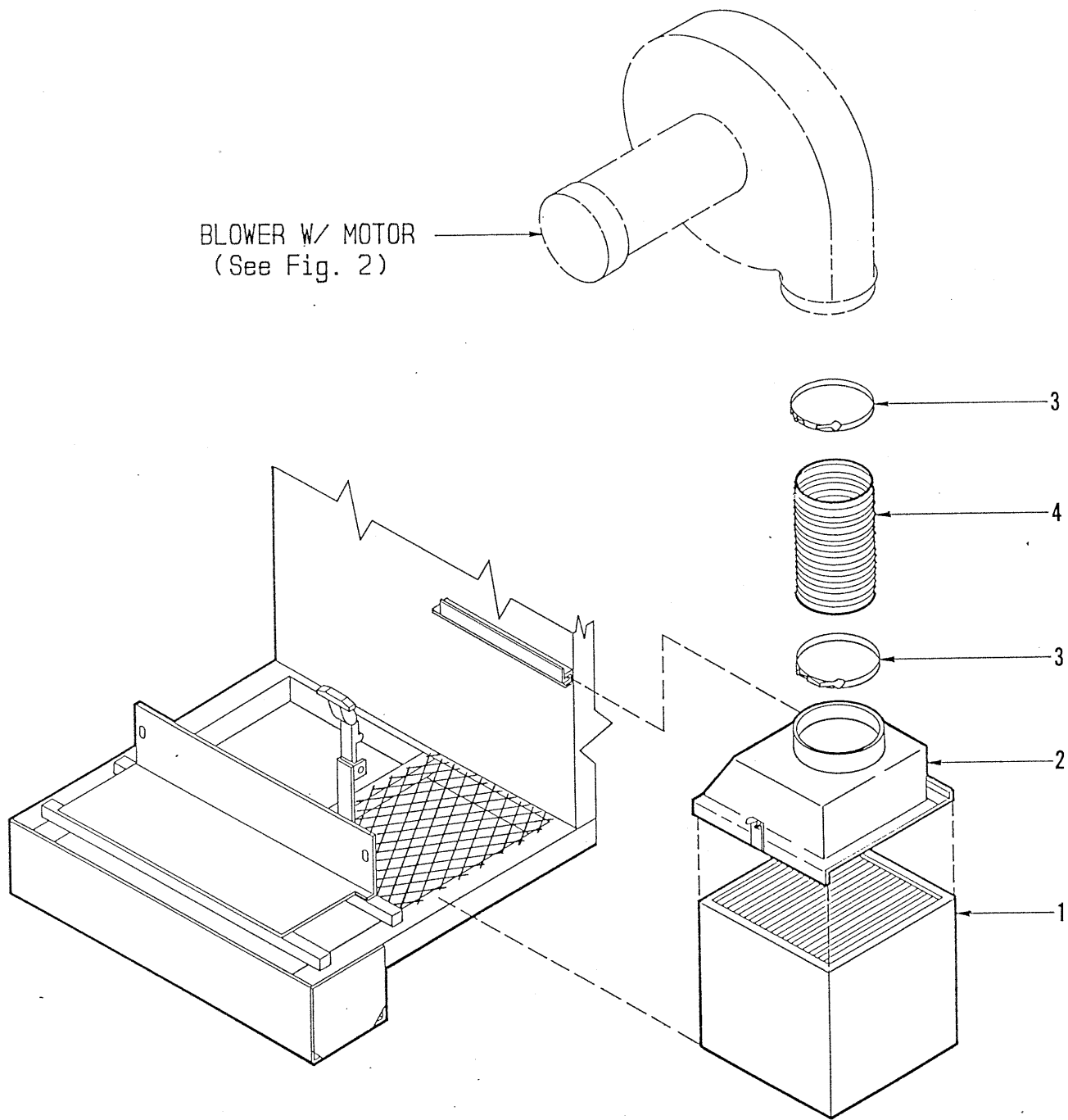


FIG. 3: OPTIONAL HEPA EXHAUST FILTER ASSEMBLY  
 Order Part #C65150 (Filter Not Included)

Item #	Part #	Description	Qty.
1.	C90250	Filter, HEPA 12"x12"x12"	1
2.	C90252	Housing, HEPA Upper	1
3.	C90218	Clamp, Hose 4-7"	2
4.	C90251	Hose, Flex 6"ID x 9"L	1

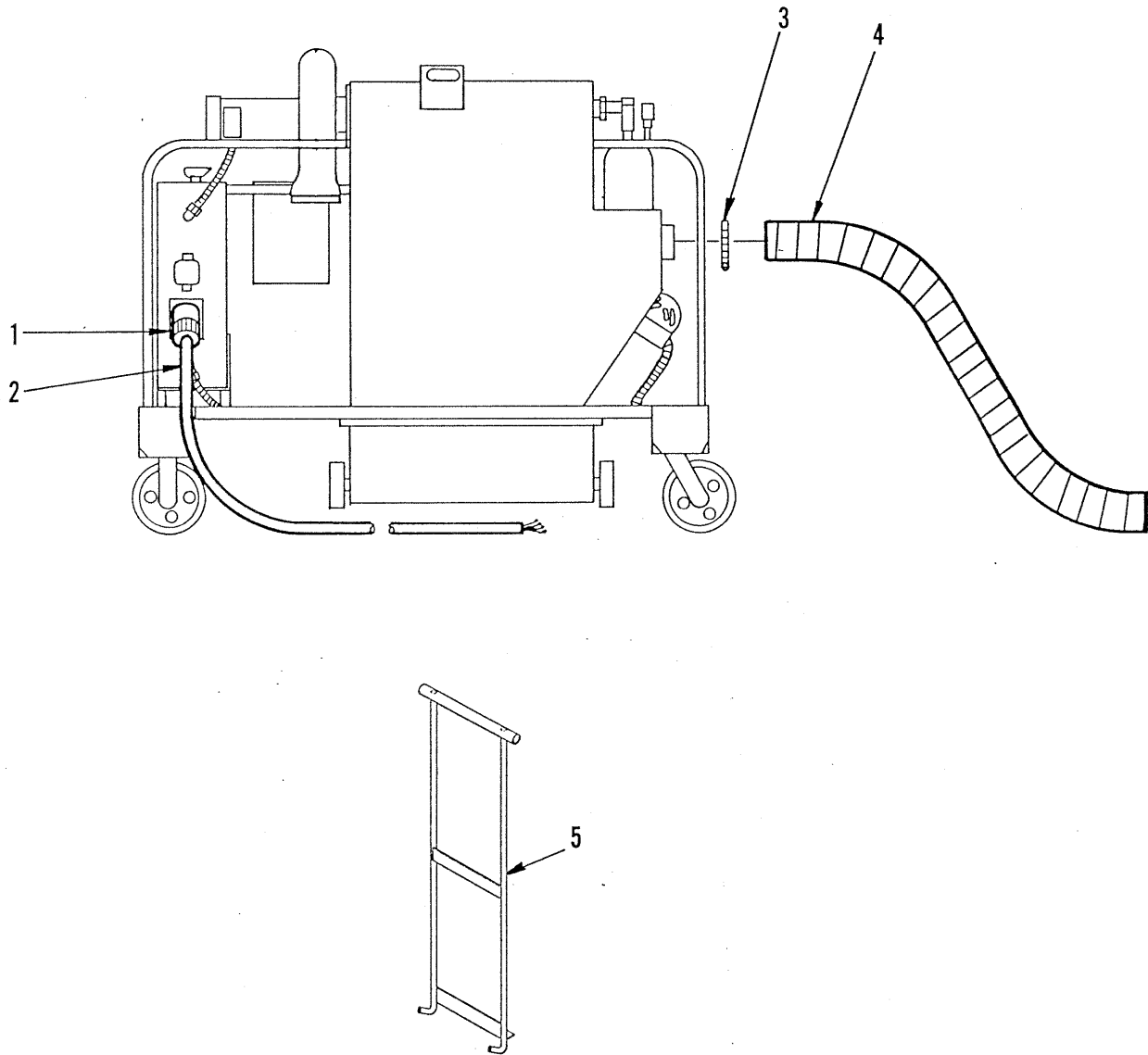


FIG. 4: ACCESSORIES

Item #	Part #	Description	Qty.
1.	C90069	Plug, Female Conn. 3PH-60A/480V	1
2.	C90280	Wire, Cord Extension 6/4 x 50ft.	1
3.	C90218	Clamp, Hose 4" to 7"	2
	10849	Clamp, Hose 2-13/16 to 3-3/4" (Optional)	2
4.	C90215	Hose, Flex 5"ID x 50ft.	1
	C65103	Hose, Flex 3"ID x 25ft. (Optional)	1
5.	C90278	Handle, Dust Pan	1

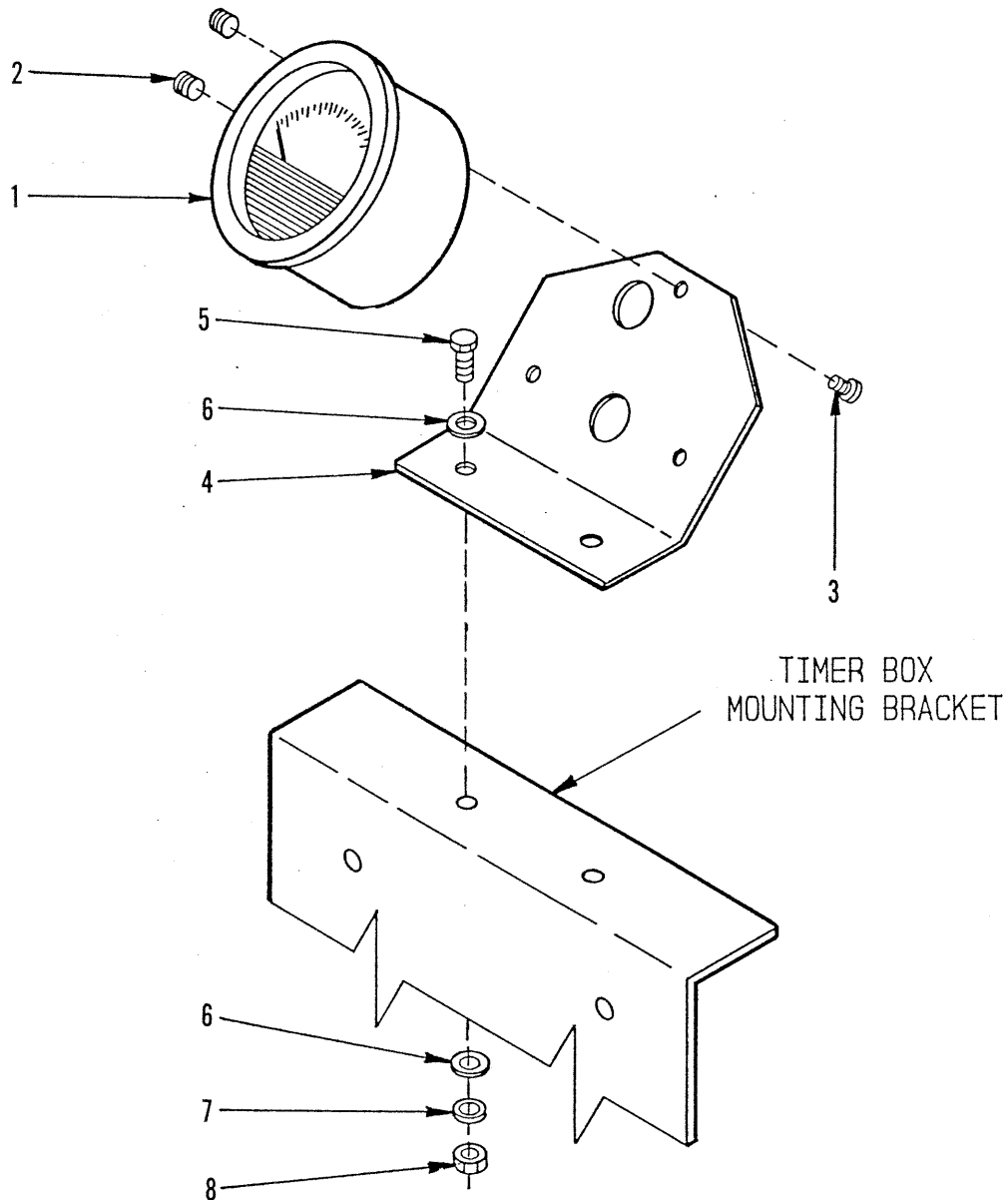
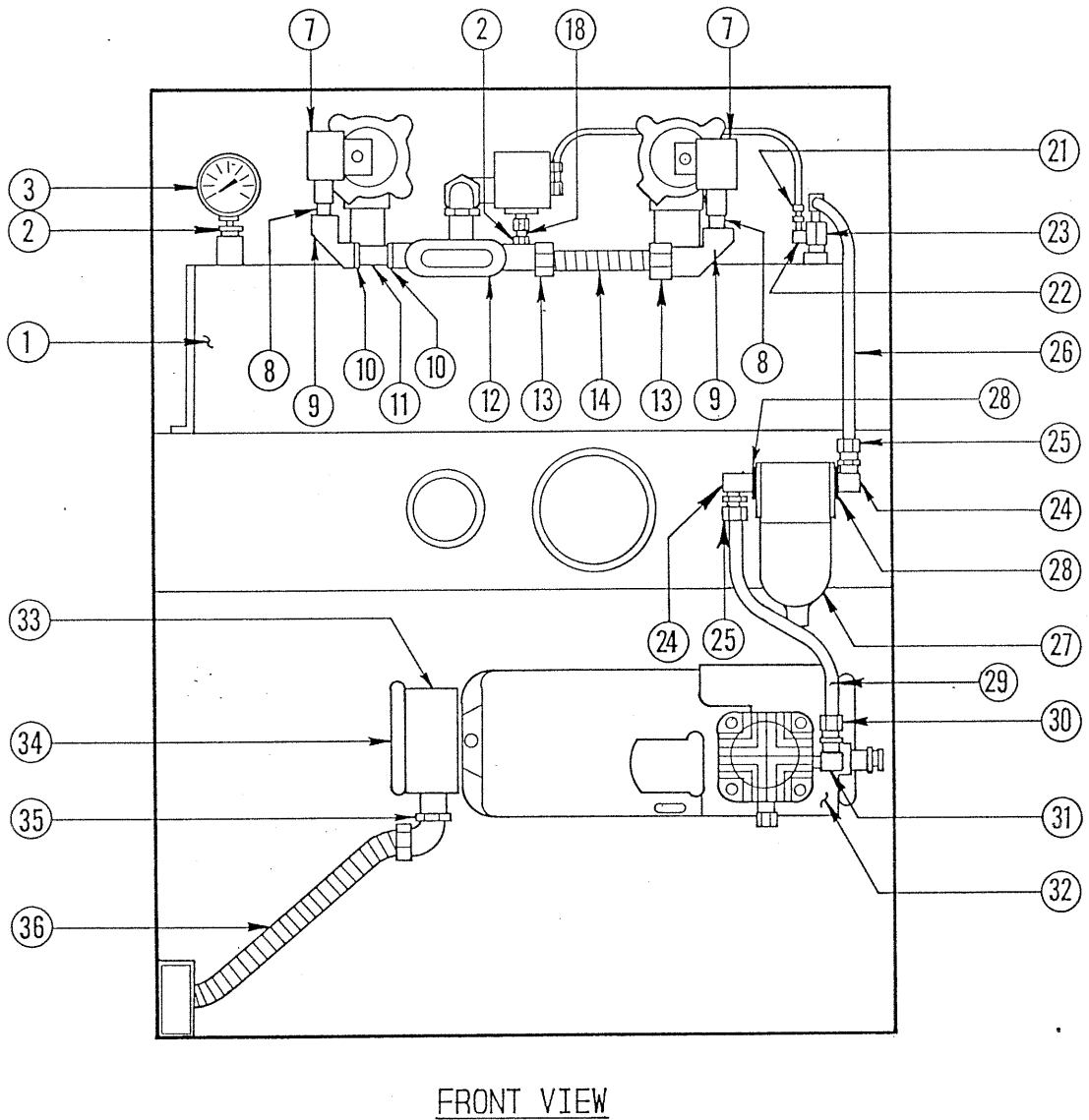
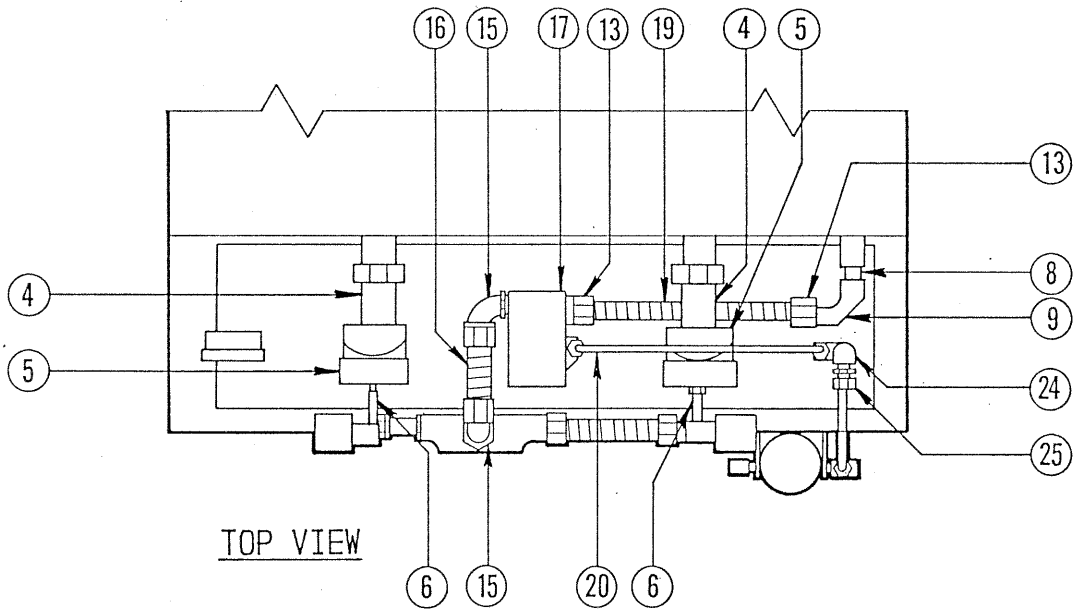


FIG. 5: MAGNEHELIC GAUGE ASSEMBLY

Item #	Part #	Description	Qty.
1.	C90214	Gauge, Magnehelic Pressure	1
2.	-----	Pipe Plug 1/8 NPT (C/W Gauge)	2
3.	-----	Screw (C/W Gauge)	3
4.	C65012	Mount, Magnehelic Gauge	1
5.	10018	Screw, Cap 1/4-20 x 3/4	2
6.	10602	Washer, Flat 1/4	4
7.	10038	Washer, Lock 1/4	2
8.	10013	Nut 1/4-20	2

Note: See Fig. 7 for Plumbing Details

FIG. 6: AIR TANK & COMPRESSOR  
PLUMBING ASSEMBLY





PARTS LISTING - FIG. 6: AIR TANK & COMPRESSOR  
PLUMBING ASSEMBLY

Item #	Part #	Description	Qty.
1.	C90232	Tank, Air	1
2.	10746	Bushing, Hex 1/2 x 1/4NPT	2
3.	C90207	Gauge, Air Pressure	1
4.	C90233	Pipe 1"NPT x 3"L (6"Nipple Cut)	2
5.	C90228	Valve, Air 1"NPT	2
6.	10798	Pipe Nipple 1/8NPT x 1-1/2	2
7.	C90208	Solenoid, Air	2
8.	10728	Pipe Nipple, Close 1/2 NPT	3
9.	C90212	Elbow, 1/2"Pull W/ Cover	3
10.	10790	Nut, Conduit Lock 1/2 NPT	2
11.	10695	Pipe Nipple 1/2 NPT x 2	1
12.	C90213	Outlet Body W/ Cover 1/2"	1
13.	C90210	Fitting, Straight Liq. Tite 1/2	4
14.	C90234	Conduit, Flex. 1/2"ID x 4-1/2"	1
15.	C90211	Fitting, Elbow 90 Liq. Tite 1/2"	2
16.	C90235	Conduit, Flex. 1/2"ID x 3-3/4"	1
17.	C90205	Switch, Air Pressure	1
18.	10795	Pipe Nipple, Close 1/4 NPT	1
19.	C90236	Conduit, Flex 1/2"ID x 9"	1
20.	C90237	Tube, Copper 1/4"OD x 14"	1
21.	10688	Fitting, Comp. 1/4Tube x 1/8MPT	1
22.	40015	Elbow, Street 1/8NPT x 90	1
23.	C90206	Valve, Check	1
24.	10220	Elbow, Street 3/8NPT x 90	3
25.	10687	Fitting, Comp. 3/8Tube x 3/8MPT	3
26.	C90242	Tube, Copper 3/8"OD x 13"	1
27.	C90204	Filter, Air Line 3/8 NPT	1
28.	10070	Washer, Hose 3/4	2
29.	C90243	Tube, Copper 3/8"OD x 8"	1
30.	10653	Fitting, Comp. 3/8Tube x 1/4MPT	1
31.	10730	Elbow, Street 1/4NPT x 90	1
32.	C90217	Compressor, Air 1-HP/3-PH	1
33.	C90282	Box, Outlet	1
34.	C90283	Cover W/ Gasket, Outlet Box	1
35.	C90222	Fitting, Elbow 90 Liq. Tite 3/4"	1
36.	C90262	Conduit, Flex 3/4"ID. x 66"	1

(See Fig. 7, Item #11)

MAGNEHELIC GAUGE DETAIL

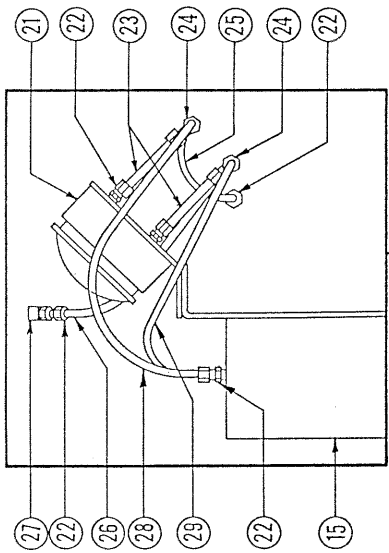
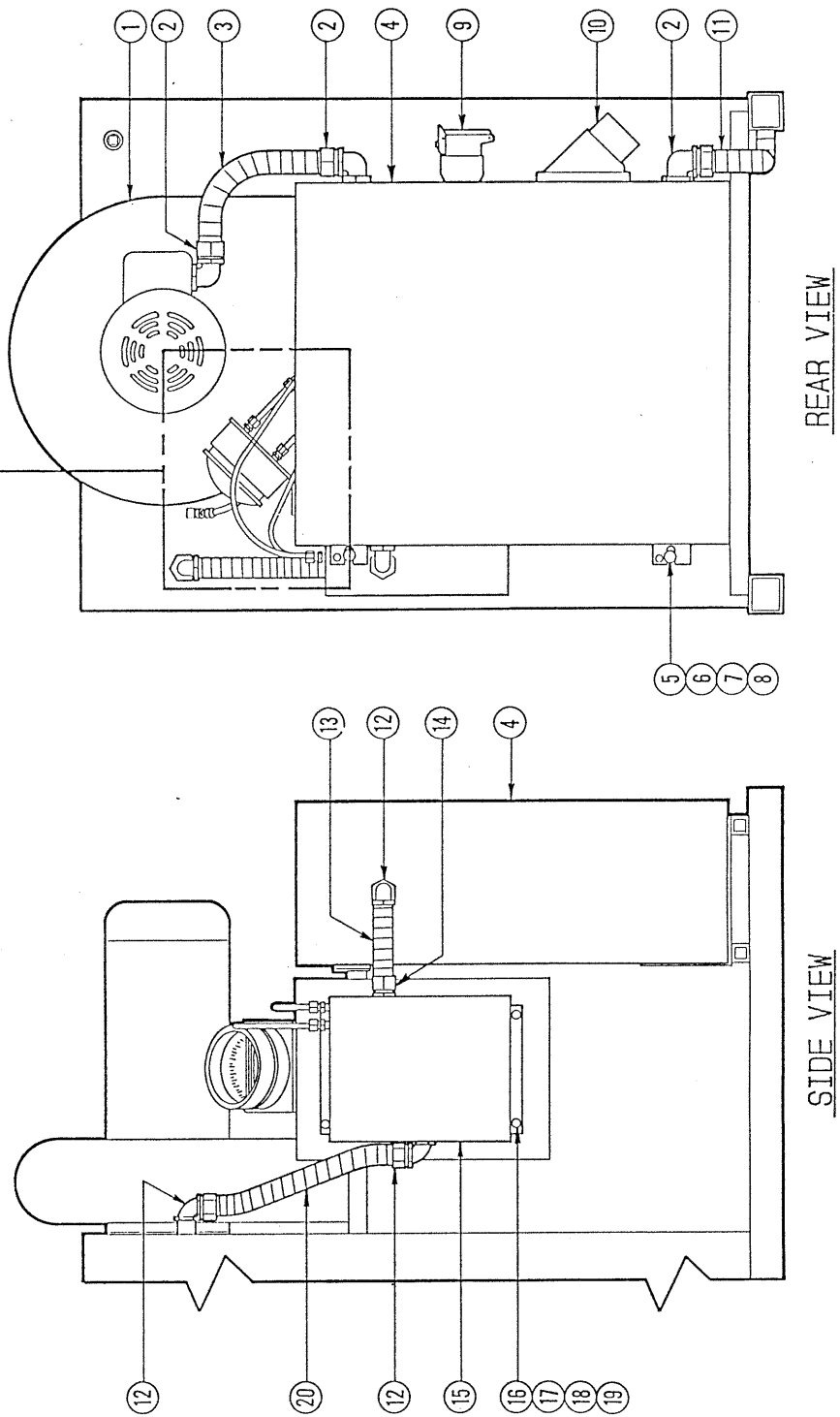


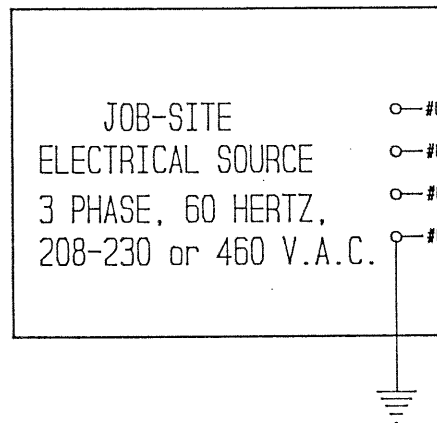
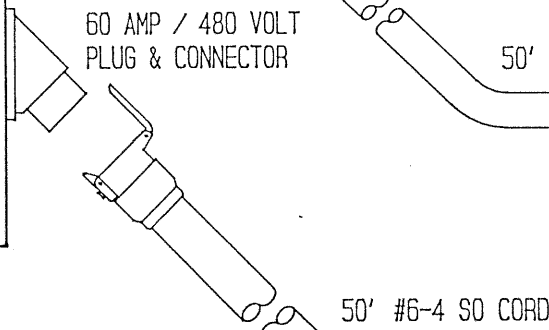
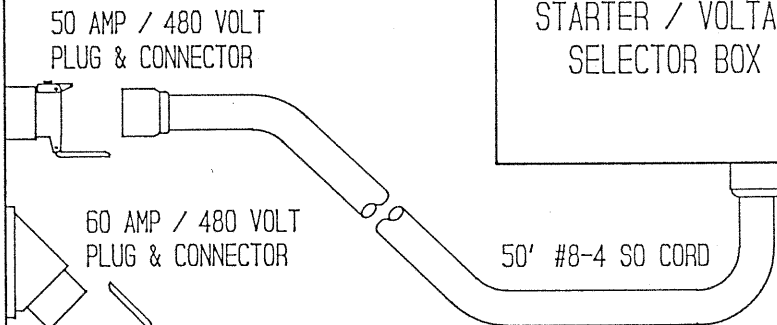
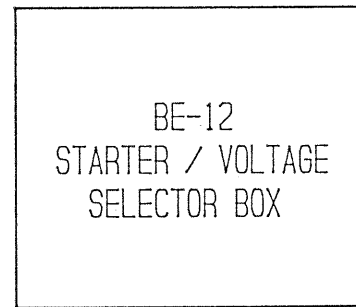
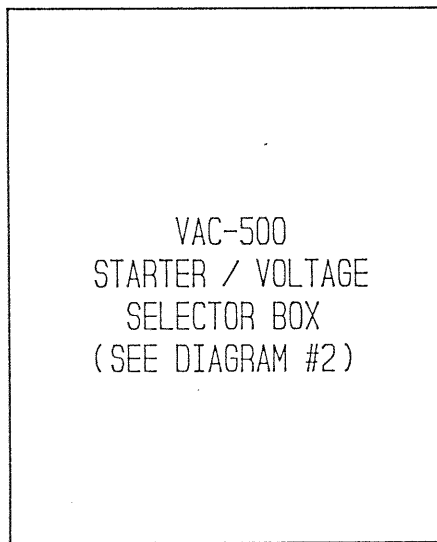
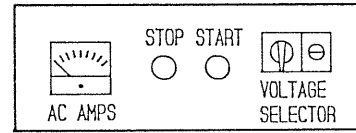
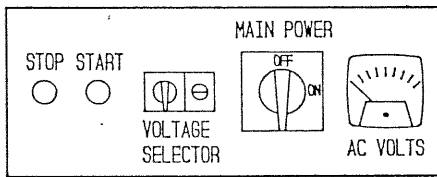
FIG. 7: CLEANING CONTROL SYSTEM



PARTS LISTING - FIG. 7: CLEANING CONTROL SYSTEM

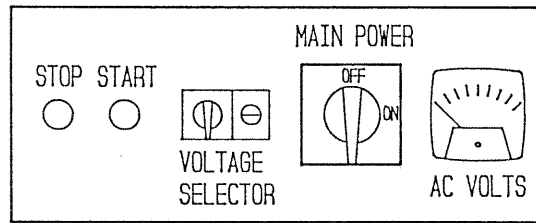
Item #	Part #	Description	Qty.
1.	C90220	Blower, Pressure W/ Motor 3HP-3PH.	1
2.	C90222	Fitting, Elbow 90 Liq. Tite 3/4"	3
3.	C90261	Conduit, Flex. 3/4"ID x 12-1/4"Approx.	1
4.	C90230	Box, Voltage Selector 208-230/460	1
5.	10055	Screw, Cap 3/8-16 x 1	3
6.	10025	Washer, Flat 3/8	6
7.	10811	Washer, Lock 3/8	3
8.	10404	Nut 3/8-16	3
9.	C90067	Plug, Female Conn. 3PH-50AMP/480VAC	1
10.	C90068	Plug, Male 3PH-60AMP/480VAC	1
11.	C90262	Conduit, Flex 3/4"ID x 66"Approx.	1
12.	C90211	Fitting, Elbow 90 Liq. Tite 1/2"	3
13.	C90263	Conduit, Flex. 1/2"ID x 3-1/2"Approx.	1
14.	C90210	Fitting, Straight Liq. Tite 1/2"	1
15.	C90240	Box, Timer	1
16.	10018	Screw, Cap 1/4-20 x 3/4	4
17.	10602	Washer, Flat 1/4	8
18.	10038	Washer, Lock 1/4	4
19.	10013	Nut 1/4-20	4
20.	C90264	Conduit, Flex. 1/2"ID x 10"Approx.	1
21.	C90214	Gauge, Magnehelic Pressure	1
22.	10688	Fitting, Comp. 1/4Tube x 1/8MPT	6
23.	C90265	Tubing, Nylon 1/4"OD x 3"Approx.	2
24.	10654	Fitting, Comp. Tee 1/4 Tube	2
25.	C90266	Tubing, Nylon 1/4"OD x 9-1/2"Approx.	1
26.	C90267	Tubing, Nylon 1/4"OD x 17-3/4"Approx.	1
27.	10716	Elbow, Street 1/4NPT x 45	1
28.	C90268	Tubing, Nylon 1/4"OD x 14-1/2"Approx.	1
29.	C90269	Tubing, Nylon 1/4"OD x 13-1/4"Approx.	1

# WIRING DIAGRAM #1: POWER HOOK-UP for SYSTEM

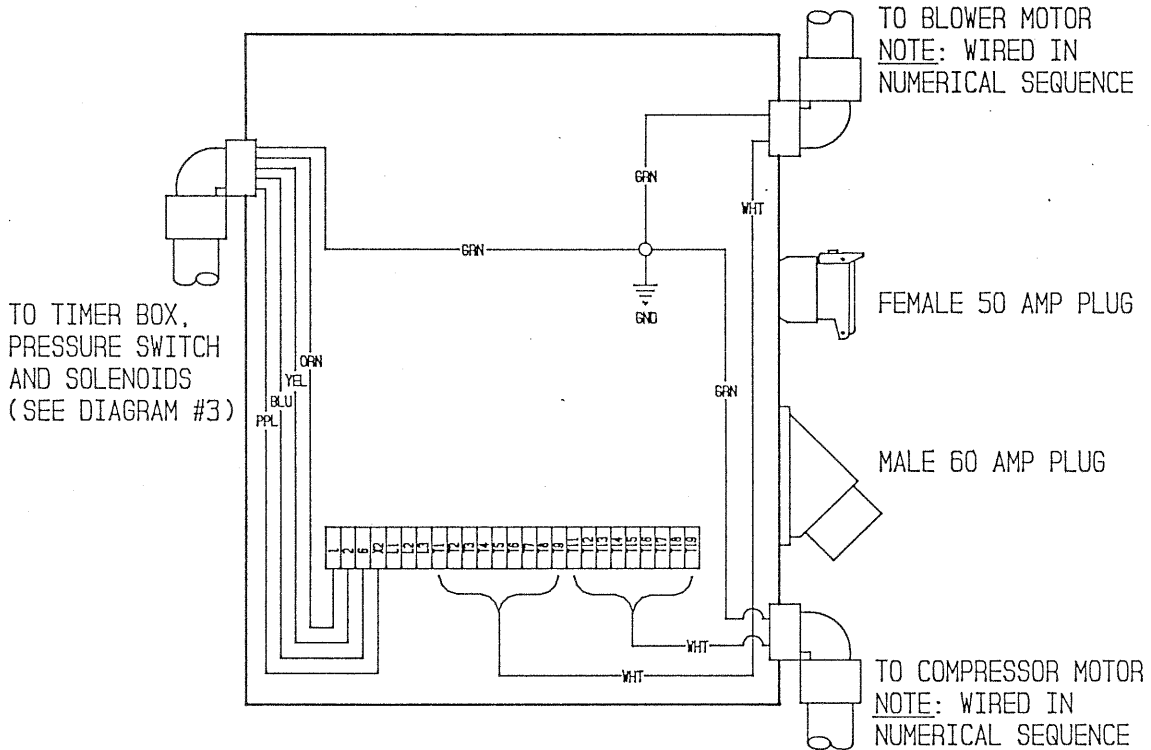


COLOR CODES	
BLK	= BLACK
BLU	= BLUE
GRN	= GREEN
GRY	= GRAY
ORN	= ORANGE
PPL	= PURPLE
RED	= RED
WHT	= WHITE
YEL	= YELLOW

# WIRING DIAGRAM #2: VAC-500 STARTER/VOLTAGE SELECTOR BOX



NOTE: ALL WIRES SHOWN ARE 14 GA. STRANDED TYPE, UNLESS OTHERWISE NOTED.



# WIRING DIAGRAM #3: TIMER BOX, PRESSURE SWITCH AND SOLENOIDS

