

REVISED STARTING
SERIAL #17071723



PARTS LIST MANUAL

VAC-290



290 CFM HEPA MAXX VACUUM

PART #

MODEL #

POWER OPTION

ED33280K

WS2320

TRIPLE MOTOR, 4.0 HP 120V 19A



EQUIPMENT DEVELOPMENT COMPANY, INC.
100 Thomas Johnson Drive, Frederick, MD 21702-4600 USA
Phone: 800-638-3326 or 301-663-1600 • Fax: 800-447-3326 or 301-663-1607
Website: www.edcoinc.com • E-mail: techsupport@edcoinc.com

Printed in USA

JWA ©2017

READ AND UNDERSTAND THE OPERATORS INSTRUCTION MANUAL THOROUGHLY BEFORE ATTEMPTING TO OPERATE THIS EQUIPMENT.



Death or serious injury could occur if this machine is used improperly.



SAFETY MESSAGES

- Safety Instructions are preceded by a graphic alert symbol of DANGER, WARNING, or CAUTION.



Indicates an imminent hazard which, if not avoided, will result in death or serious injury.



Indicates an imminent hazard which, if not avoided, can result in death or serious injury.



Indicates hazards which, if not avoided, could result in serious injury and or damage to the equipment.

GASOLINE/PROPANE POWERED EQUIPMENT



- Engine exhaust from this product contains chemicals known to the State of California to cause cancer, birth defects or other reproductive harm.



- Gasoline is extremely flammable and poisonous. It should only be dispensed in well ventilated areas, and with a cool engine.

- Small gasoline engines produce high concentrations of carbon monoxide (CO) example: a 5 HP 4 cycle engine operation in an enclosed 100,000 cu. ft. area with only one change of air per hour is capable of providing deadly concentrations of CO in less than fifteen minutes. Five changes of air in the same area will produce noxious fumes in less than 30 minutes. Gasoline or propane powered equipment should not be used in enclosed or partially enclosed areas. Symptoms of CO poisoning include, headache, nausea, weakness, dizziness, visual problems and loss of consciousness. If symptoms occur - get into fresh air and seek medical attention immediately.

ELECTRICAL POWERED EQUIPMENT



Extreme care must be taken when operating electric models with water present: Ensure power cord is properly grounded, is attached to a Ground-Fault-Interrupter (GFI) outlet, and is undamaged.

- Check all electrical cables - be sure connections are tight and cable is continuous and in good condition. Be sure cable is correctly rated for both the operating current and voltage of this equipment.
- Improper connection of the equipment-grounding conductor can result in a risk of electric shock. Check with qualified electrician or service person if there is any doubt as to whether the outlet is properly grounded. Adhere to all local codes and ordinances.
- **NOTE:** In the event of a malfunction or breakdown, grounding provides a path of least resistance for the electric current to dissipate. The motor is equipped with a grounded plug and must be connected to an outlet that is properly installed and properly grounded. DO NOT modify the plug provided on the motor. If the plug does not fit the outlet have a qualified electrician install the proper receptacle.
- Switch motor OFF **before** disconnecting power.

- Do not disconnect power by pulling cord. To disconnect, grasp the plug, not the cord.
- Unplug power cord at the machine when not in use and before servicing.

GENERAL INSTRUCTIONS


- Equipment should only be operated by trained personnel in good physical condition and mental health (not fatigued). The operator and maintenance personnel must be physically able to handle the bulk weight and power of this equipment.
- This is a one person tool. Maintain a safe operating distance to other personnel. It is the **operators' responsibility** to keep other people (workers, pedestrians, bystanders, etc.) away during operation. Block off the work area in all directions with roping, safety netting, etc. for a safe distance. Failure to do so may result in others being injured by flying debris or exposing them to harmful dust and noise.
- This equipment is intended for commercial use only.
- For the operator's safety and the safety of others, always keep all guards in place during operation.
- Never let equipment run unattended.



- Personal Protection Equipment and proper safety attire must be worn when operating this machinery. The operator must wear approved safety equipment appropriate for the job such as hard hat and safety shoes when conditions require. Hearing protection **MUST** be used (operational noise levels of this equipment may exceed 85db). Eye protection **MUST** be worn at all times.



Keep body parts and loose clothing away from moving parts. Failure to do so could result in dismemberment or death.

- Do not modify the machine.
 - Stop motor/engine when adjusting or servicing this equipment.
-  Maintain a safe operating distance from flammable materials. Sparks from the cutting-action of this machine can ignite flammable materials or vapors.

DUST WARNING



Some dust created by power sanding, sawing, grinding, drilling, and other construction activities contains chemicals known to cause cancer, birth defects, or other reproductive harm. Some examples of these chemicals are:

- Lead from lead-based paints, and
- Crystalline silica from bricks and concrete and other masonry products.

Your risk of exposure to these chemicals varies depending on how often you do this type of work. To reduce your risk: work in a well ventilated area, use a dust control system, such as an industrial-style vacuum, and wear approved personal safety equipment, such as a dust/particle respirator designed to filter out microscopic particles.

PARTS LIST MANUAL

VAC-290

290 CFM HEPA MAXX VACUUM

TABLE OF CONTENTS

<u>Section</u>	<u>Page Number</u>
Safety Messages and General Instructions	2
How To Order Replacement Parts	3
Illustration 1: Base Assembly	4, 5
Illustration 2: Dustpan Lever Assembly	6
Illustration 3: 70mm Inlet Assembly	7
Illustration 4: 2.6M Filter & Manual Shaker Assembly	8, 9
Illustration 5: HEPA Maxx Filter Assembly	10, 11
Illustration 6: Hose and Connector	12
Illustration 7: Silencer Assembly	13
Illustration 8: Motor Deck Assembly	14, 15
Illustration 9: Motor Switch Assembly, 120V	16
Wiring Schematic	17
Decal Sheet	18
Limited Equipment Warranty of Sale - Terms & Conditions	19

HOW TO ORDER REPLACEMENT PARTS

- ❑ To insure product safety and reliability, always use genuine EDCO replacement parts when making repairs to the equipment.
- ❑ When calling for parts, specify the MODEL and SERIAL number of the machine, which can be found on the NAME PLATE. Keep that information in the space provided. In addition to this information, give part number, description, and quantity as listed on the parts list to your parts representative.
- ❑ Please note: Due to improvements and changes in the equipment, the illustrations shown may be different than the actual machine.

FILL IN INFORMATION BELOW

Date of Purchase _____

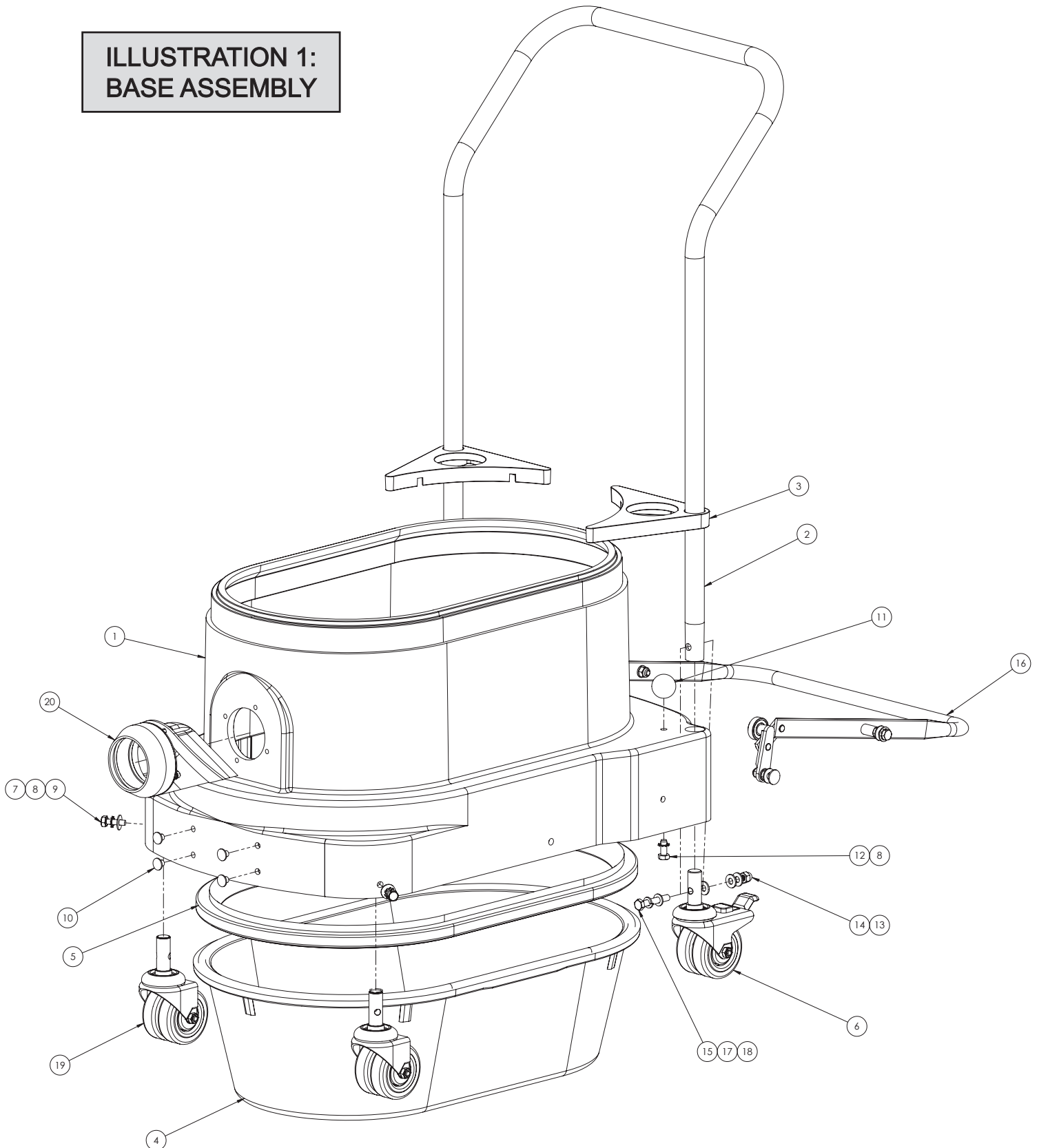
Model # _____

Serial # _____

SKU # _____



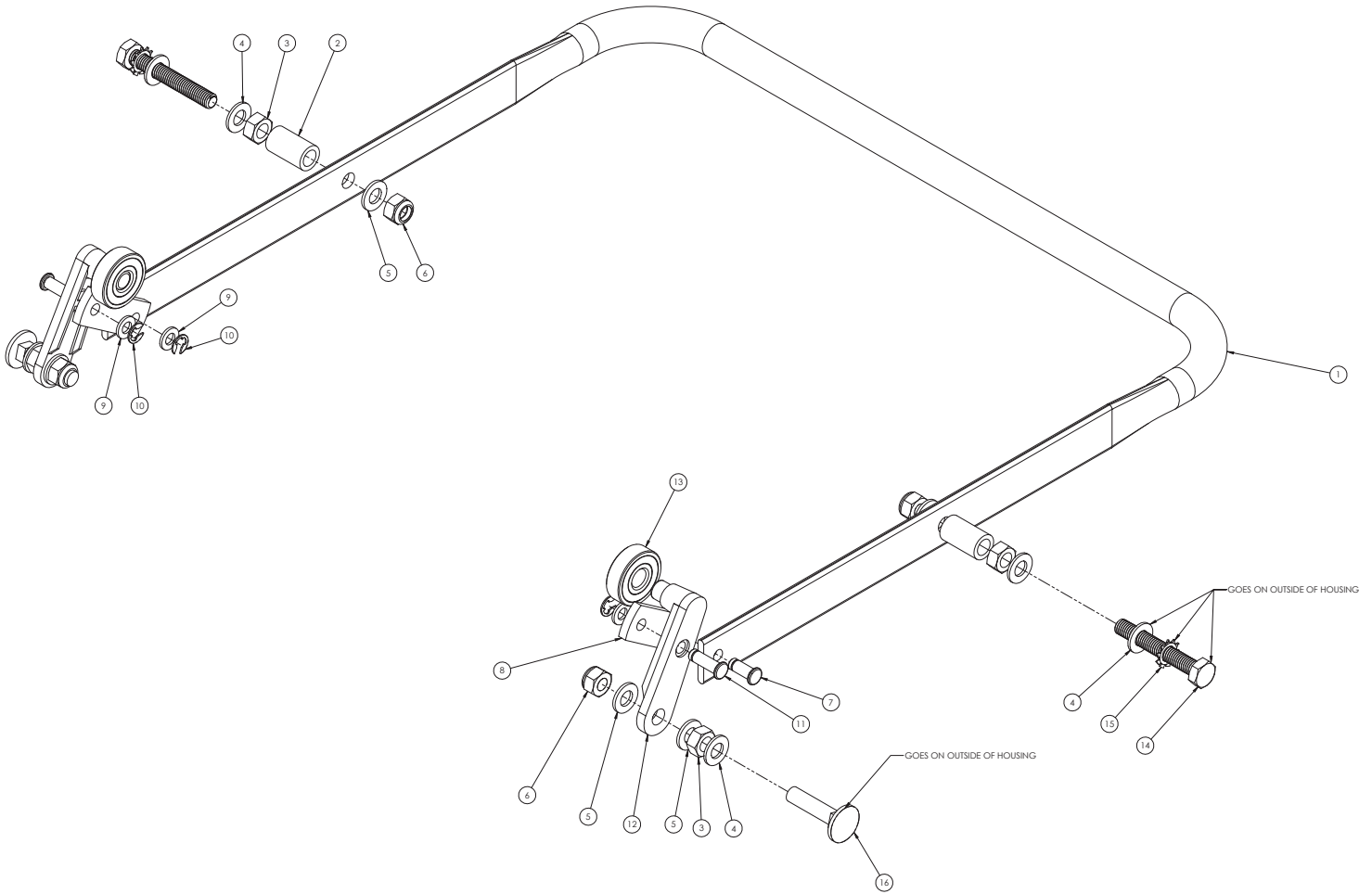
**ILLUSTRATION 1:
BASE ASSEMBLY**



DUSTPAN GASKET #ED2509865

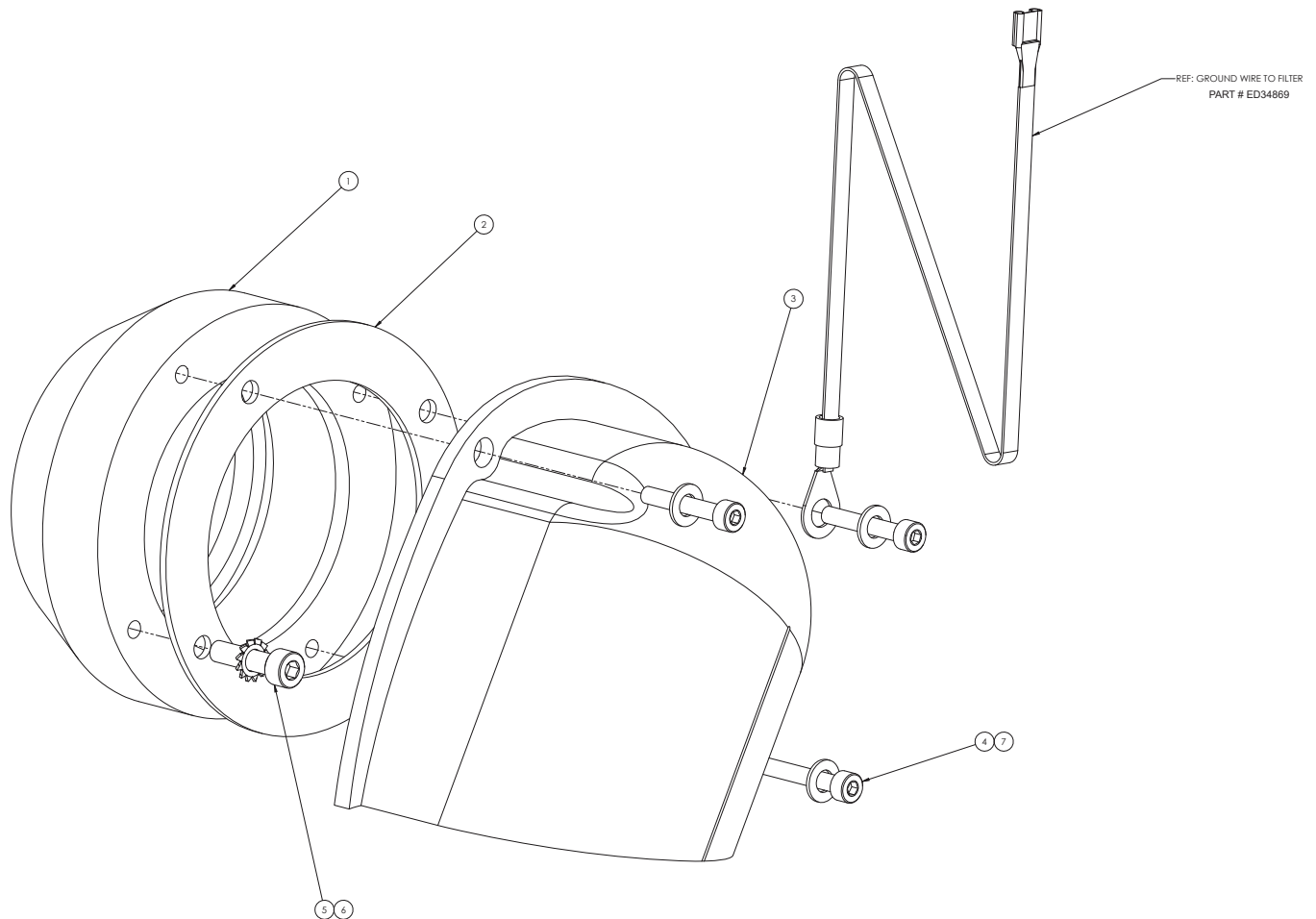
PARTS LISTING - ILLUSTRATION 1: BASE ASSEMBLY			
ITEM #	PART #	DESCRIPTION	QTY.
1	ED34808003	LOWER HOUSING, 70MM, RED	1
2	ED25080	PUSH HANDLE	1
3	ED32039R	HANDLE SUPPORT, PLASTIC	2
4	ED34813	DUSTPAN WITH GASKET, RED	1
	ED2509865	DUST PAN REPLACEMENT GASKET	1
5	ED20070	GASKET, LOWER HOUSING	1
6	ED25085	CASTER, DUAL, FIXED, 75MM, W/BRAKE	2
7	ED34882	M8 FLAT WASHER, 8.4 X 20 X 1.3	2
8	ED25037	WASHER EXT STAR M8 ZINC	3
9	ED25054	HEX BOLT M8 X 25 ZINC	2
10	ED22120	PLUG, 8MM, BLACK	4
11	ED25060	KNOB, BLACK, 8MM	1
12	ED25038	SCREW, CAP M8-1.25 X 20MM ZINC	1
13	ED200190	WASHER, M8 BLACK NYLON	6
14	ED32927	NUT, ACORN M8	2
15	ED34810	BOLT, HEX M8 X 50	2
16	ED20010A	DUST PAN LEVER ASSY., DS1 (REFER TO ILLUS. 2 FOR BREAKDOWN)	1
17	ED20050	WASHER SPLIT LOCK M8	2
18	ED25061	WASHER, FLAT M8 ZINC	2
19	ED25084	CASTER, DUAL, SWIVEL, 75MM	2
20	ED30007A	INLET KIT, 70MM, ALUMINUM (REFER TO ILLUS. 3 FOR BREAKDOWN)	1



ILLUSTRATION 2: DUSTPAN LEVER ASSEMBLY

ITEM #	PART #	DESCRIPTION	QTY.
1	ED20010	FOOT LEVER	1
2	ED34812	SPACER FOR FOOT LEVER	2
3	ED20044	NUT, HEX M8 ZINC	4
4	ED34882	WASHER, FLAT M8 ZINC 8.4 X 20 X 1.3	6
5	ED25061	WASHER, FLAT M8 ZINC	6
6	ED30029	NUT, LOCK M8	4
7	ED34921	PIN D6X15	2
8	ED20027	FLAT STEEL PIVOT	2
9	ED25067	WASHER, FLAT M6	4
10	ED34923	C SPRING CLIP	4
11	ED34922	PIN, D6 X 19MM	2
12	ED34852*	DUST PAN TENSION LEVER (*USE ED34852A FOR KIT)	2
13	ED34853*	DUST PAN LEVER BEARING (*USE ED34852A FOR KIT)	2
14	ED34811	BOLT, HEX M8 X 55	2
15	ED25037	WASHER EXT STAR M8 ZINC	2
16	ED25053	BOLT, CARRAIGE M8 X 35	2

ILLUSTRATION 3: 70mm INLET ASSEMBLY



ITEM #	PART #	DESCRIPTION	QTY.
1	ED30007	INLET, 70MM, ALUMINUM	1
2	ED34821	GASKET, 70MM INLET	1
3	ED32958	INLET DEFLECTOR, 70MM, ALUM	1
4	ED328661	SCREW, SOC HD CAP M5 X 25 BLKOX	3
5	ED32863	SCREW, SOC HD CAP M5 X 20 BLKOX	1
6	ED32867	WASHER, EXT. STAR, M5, ZINC	1
7	ED328669	WASHER, FLAT, M5, SS	3



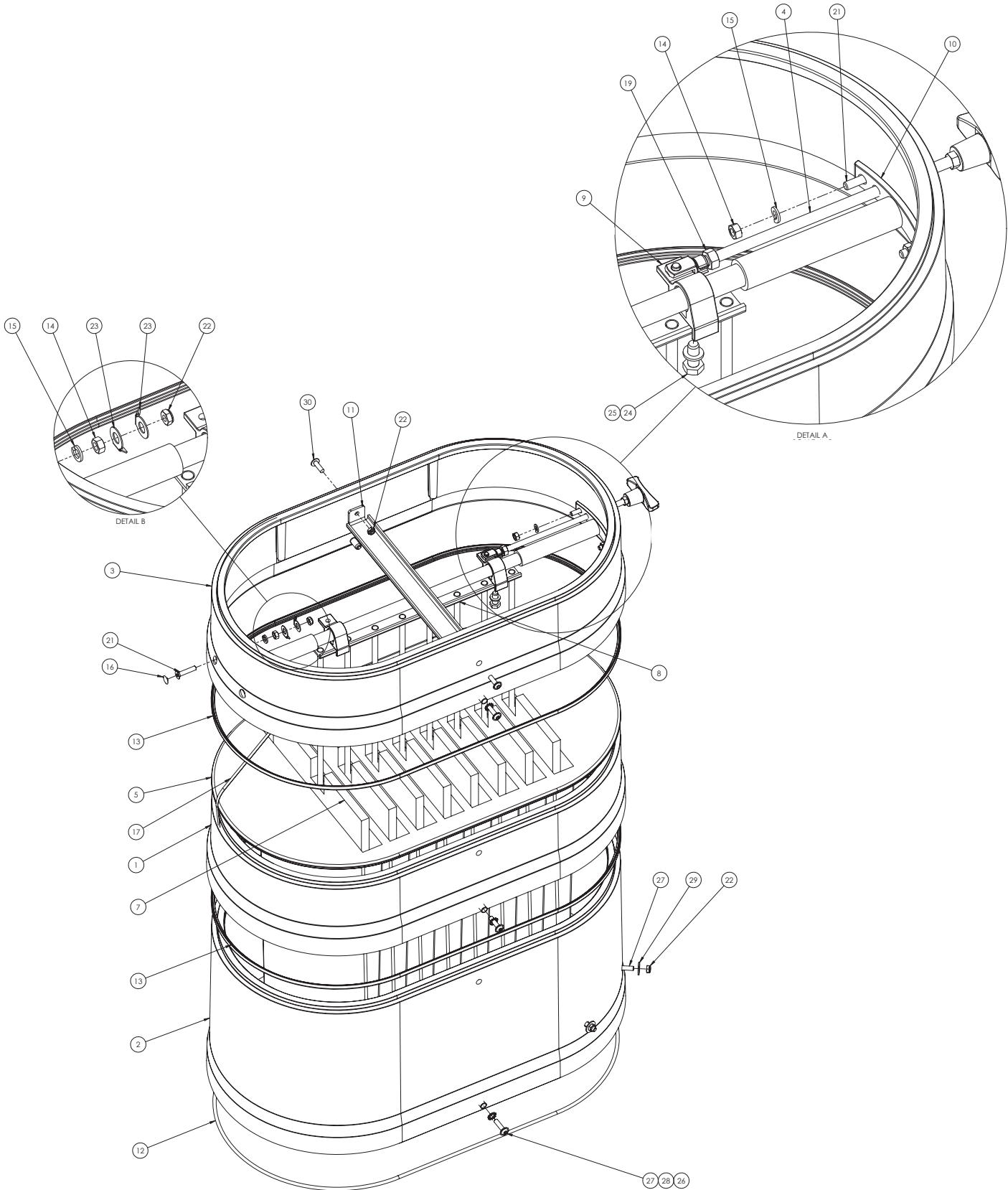
EQUIPMENT DEVELOPMENT COMPANY, INC.
 100 Thomas Johnson Drive, Frederick, MD 21702-4600 USA
 Phone: 800-638-3326 or 301-663-1600 • Fax: 800-447-3326 or 301-663-1607
 Website: www.edcoinc.com • E-mail: techsupport@edcoinc.com

Printed in USA

JWA ©2017

Page 7

ILLUSTRATION 4: 2.6M FILTER & MANUAL SHAKER ASSEMBLY

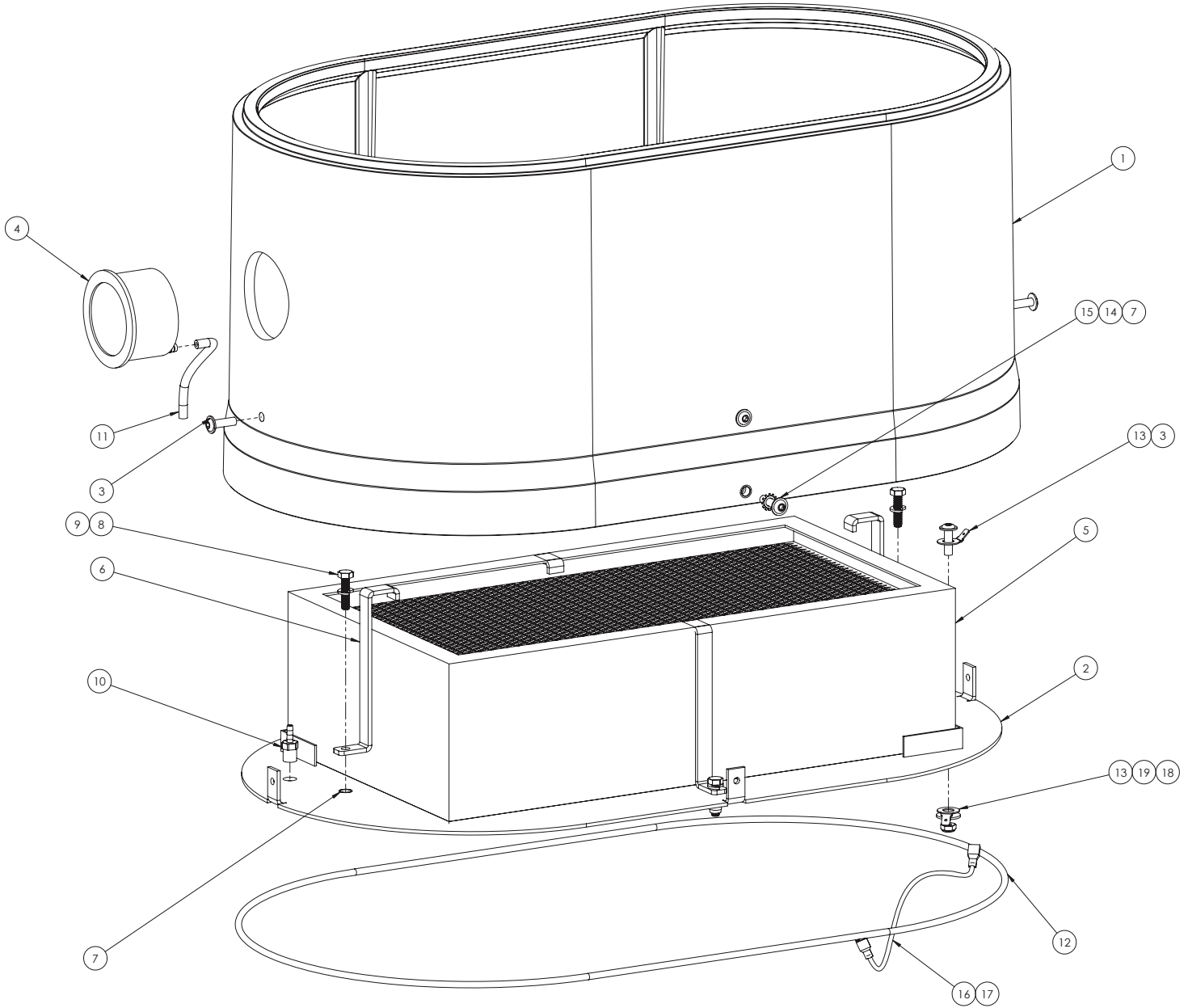


PARTS LISTING - ILLUSTRATION 4: 2.6M FILTER & MANUAL SHAKER ASSEMBLY			
ITEM #	PART #	DESCRIPTION	QTY.
1	ED34823001	HOUSING SPACER, D1, SMALL, RED	1
2	ED34820005	HOUSING SPACER, D1, LRG, RED, HANDLE SUPPORT HOLES	1
3	ED34823003	HOUSING SPACER,D1,PORT,SMALL,RED	1
4	ED22565	SHAKER BAR W/ SWIVEL HANDLE	1
5	ED30091	FILTER, 28 SQ/FT, 2.6M	1
6	ED25047	CLEVIS, DIN 71752G, STEEL	1
7	ED30091F	FILTER INSERT, 2.6M	8
8	ED34807	FILTER SHAKER INSERT, 2.6M	1
9	ED34802	SLIDE ASSEMBLY, W/ HOOK	2
10	ED34806	SHAKER ROD MOUNTING SUPPORT	2
11	ED30095	FILTER BAR SUPPORT, DS1/W2	1
12	ED31376002	GASKET, NEOPRENE, .188", 4.5FT LG	1
13	ED3137766	GASKET, NITRILE SPONGE FOR D1	2
14	ED20040	NUT, HEX M8-8, DIN 934, ZINC	4
15	ED20039	WASHER, SPLIT LOCK, M6 DIN 7980	4
16	ED34871	PLASTIC PLUG 4.5/13	4
17	ED34869	GROUND, DEFLECTOR, 2.6 FILTER	1
18	ED34804	SLIDE BAR, FILTER MANUAL SHAKER	1
19	ED20044	NUT, HEX M8-8, DIN 934, ZINC	1
20	ED20045	NUT, SQUARE, M8, ZINC	2
21	ED34815	SCREW, SOC FH CAP M6 X 30	4
22	ED34876	NUT, LOCK M6 ZINC	7
23	ED34998	GROUND CONNECTION, FOR BOLT	2
24	ED25038	BOLT, HEX, M8 X 20, DIN 933, ZINC	2
25	ED20050	WASHER, SPLIT LOCK, M8	2
26	ED34817A	M6 BLIND PEM	6
27	ED3481701	SCREW, BH SOC, FLANGED, M6 X 25	10
28	ED25000	WASHER, EXT. STAR 1/4"	6
29	ED34819	WASHER, FENDER, M6	4
30	ED34817	SCREW, SOC BH, ULS, M6 X 20	2
31	ED34805	HOSE, 3/4 ID CLEAR	2
32	ED34879	SPRING CLIP, 6 X 12, CLEVIS YOKE	1

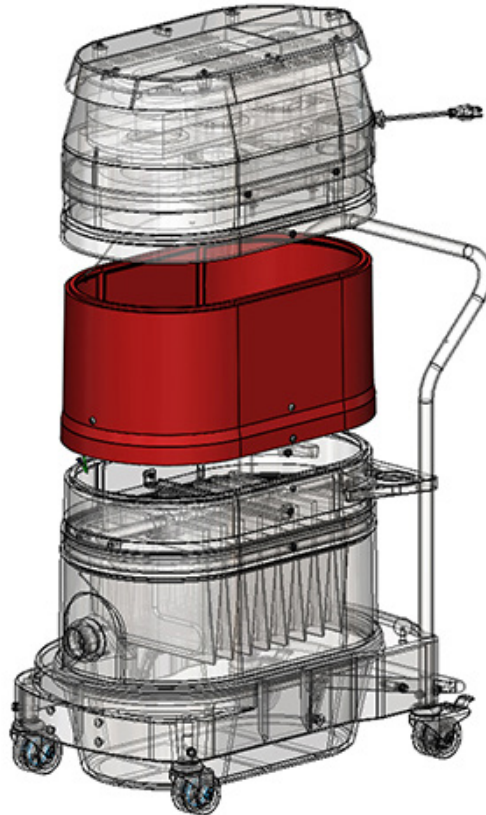


ILLUSTRATION 5: HEPA MAXX FILTER ASSEMBLY

PART # ED35192



PARTS LISTING - ILLUSTRATION 5: HEPA MAXX FILTER ASSEMBLY			
ITEM #	PART #	DESCRIPTION	QTY.
1	ED34820002	LRG. HOUSING SPACER, D1-WS, HEPA, RED	1
2	ED34947	HEPA ADAPTER PLATE, DS1	1
3	ED34817	SCREW, SOC BH, ULS, M6 X 20	5
4	ED25143	MINIHELIC, WITH MTG BRKT 10"WC	1
5	ED35211	HEPA FILTER 40 SQ FOOT, WS, DS1	1
6	ED34949	HEPA HOLD DOWN BRACKET, WS	4
7	ED34817A	M6 BLIND PEM	6
8	ED34854	BOLT, HEX, M6 X 25 ZINC	4
9	ED20039	WASHER, SPLIT LOCK, M6 DIN 7980	4
10	ED31632	HOSE BARB, .125 NPT X .25 BARB	1
11	ED34800	HOSE, CLEAR, 1/8" INSTRUMENT	1FT
12	ED31376	GASKET, 3/16 DIA. (6 FT. PIECE)	1
13	ED34998	GROUND CONNECTION, FOR BOLT	2
14	ED25000	WASHER, EXT. STAR 1/4"	2
15	ED3481701	SCREW, BH SOC, FLANGED, M6 X 25	2
16	ED34993	GROUND CABLE, 16 GAUGE, GREEN	8IN
17	ED31713	TERMINAL, 16/14 GA., PUSHON BLUE NYLON	2
18	ED34876	NUT, LOCK M6 ZINC	1
19	ED34819	WASHER, FENDER, M6	1



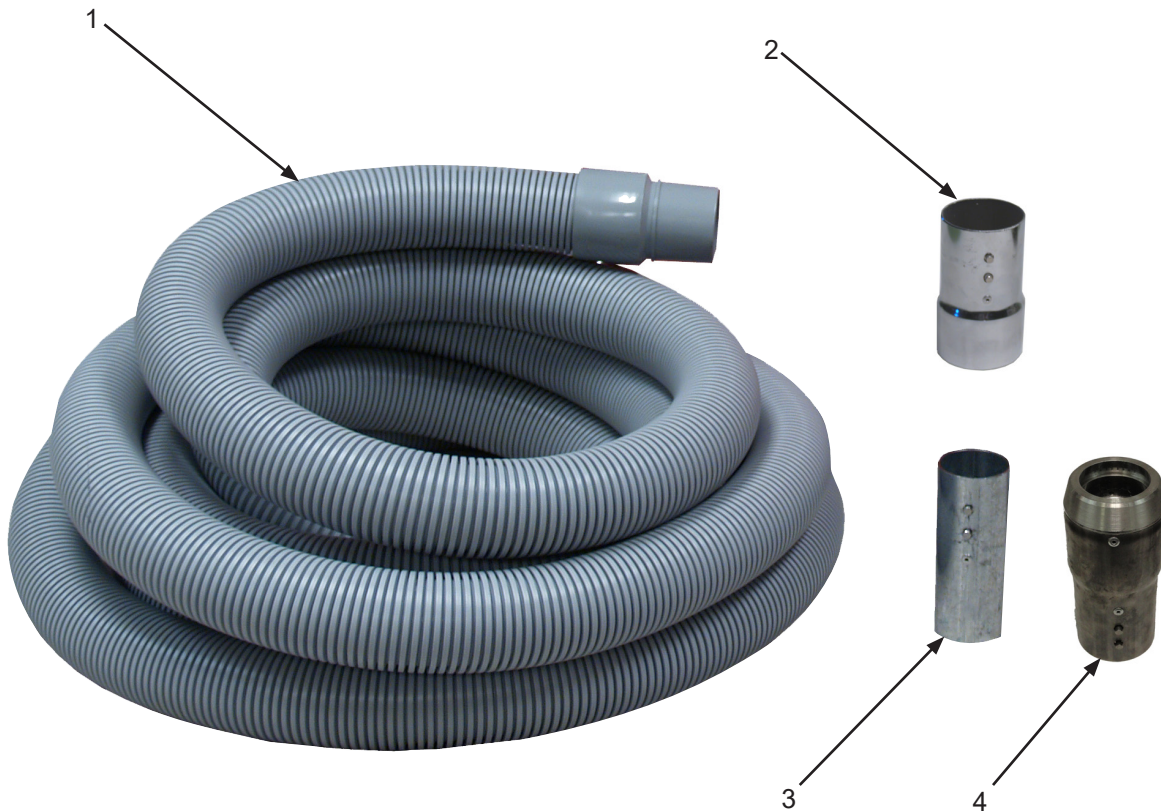
EQUIPMENT DEVELOPMENT COMPANY, INC.
 100 Thomas Johnson Drive, Frederick, MD 21702-4600 USA
 Phone: 800-638-3326 or 301-663-1600 • Fax: 800-447-3326 or 301-663-1607
 Website: www.edcoinc.com • E-mail: techsupport@edcoinc.com

Printed in USA

JWA ©2017

Page 11

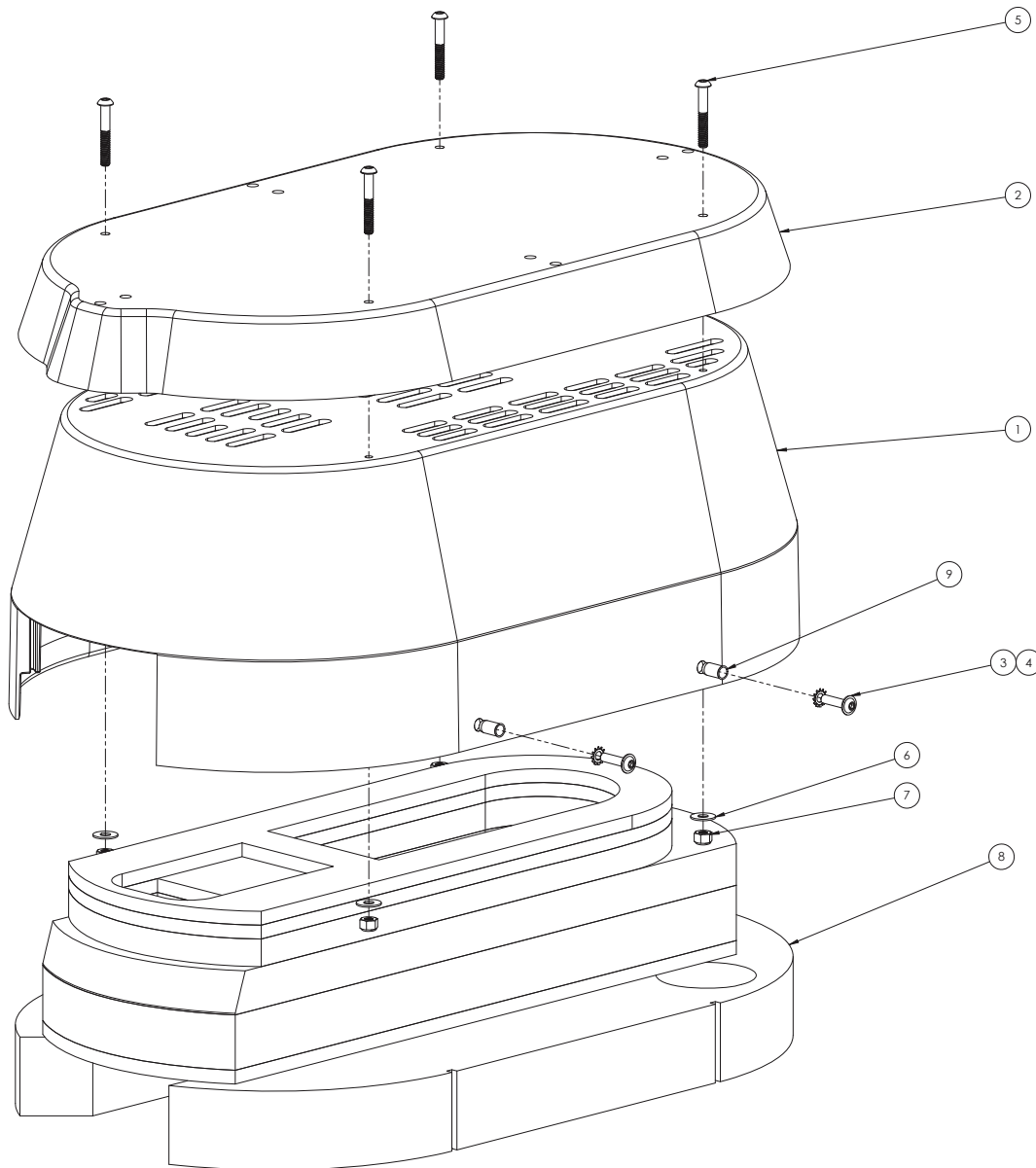
**ILLUSTRATION 6:
HOSE AND CONNECTOR**



ITEM #	PART #	DESCRIPTION	QTY.
1	ED701225	STANDARD HOSE, 3" X 25', CRUSH-PROOF W/ CUFFS	1
	ED7012B	REPLACEMENT 3" HOSE CUFF ONLY	2
	ED501425	*OPTIONAL HOSE, 2" X 25', CRUSH-PROOF (NOT SHOWN)	1
	ED5014B	REPLACEMENT 2" HOSE CUFF ONLY	2
2	ED7018-BL	STANDARD HOSE CONNECTOR 3"BL TO 3" HOSE	1
3	ED5220-BL	OPTIONAL HOSE CONNECTOR 2"BL TO 2" HOSE	1
4	ED30009-BL	OPTIONAL ADAPTER, 3" INLET TO 2" INLET	1
*NOTE: OPTIONAL 2" HOSE REQUIRES ITEMS 3 AND 4.			

ILLUSTRATION 7: SILENCER ASSEMBLY

E-VAC290-PL-1117



ITEM #	PART #	DESCRIPTION	QTY.
1	ED349802	SILENCER HOOD WITH HOLES, 2 MOTOR RED	1
2	ED32986	RAIN GUARD	1
3	ED3481701	SCREW, BH SOC, FLANGED, M6 X 25	4
4	ED25000	WASHER, EXT. STAR 1/4"	4
5	ED25008	SCREW, BH CAP .25-20X 1.75 SS. PAR. THD.	4
6	ED200180	WASHER, FLAT .25 (.688OD) SS	4
7	ED250025S	NUT, LOCK 1/4-20 SS	4
8	ED34982	SILENCER FOAM ASSEMBLY	1
9	ED34817A	M6 BLIND PEM	4

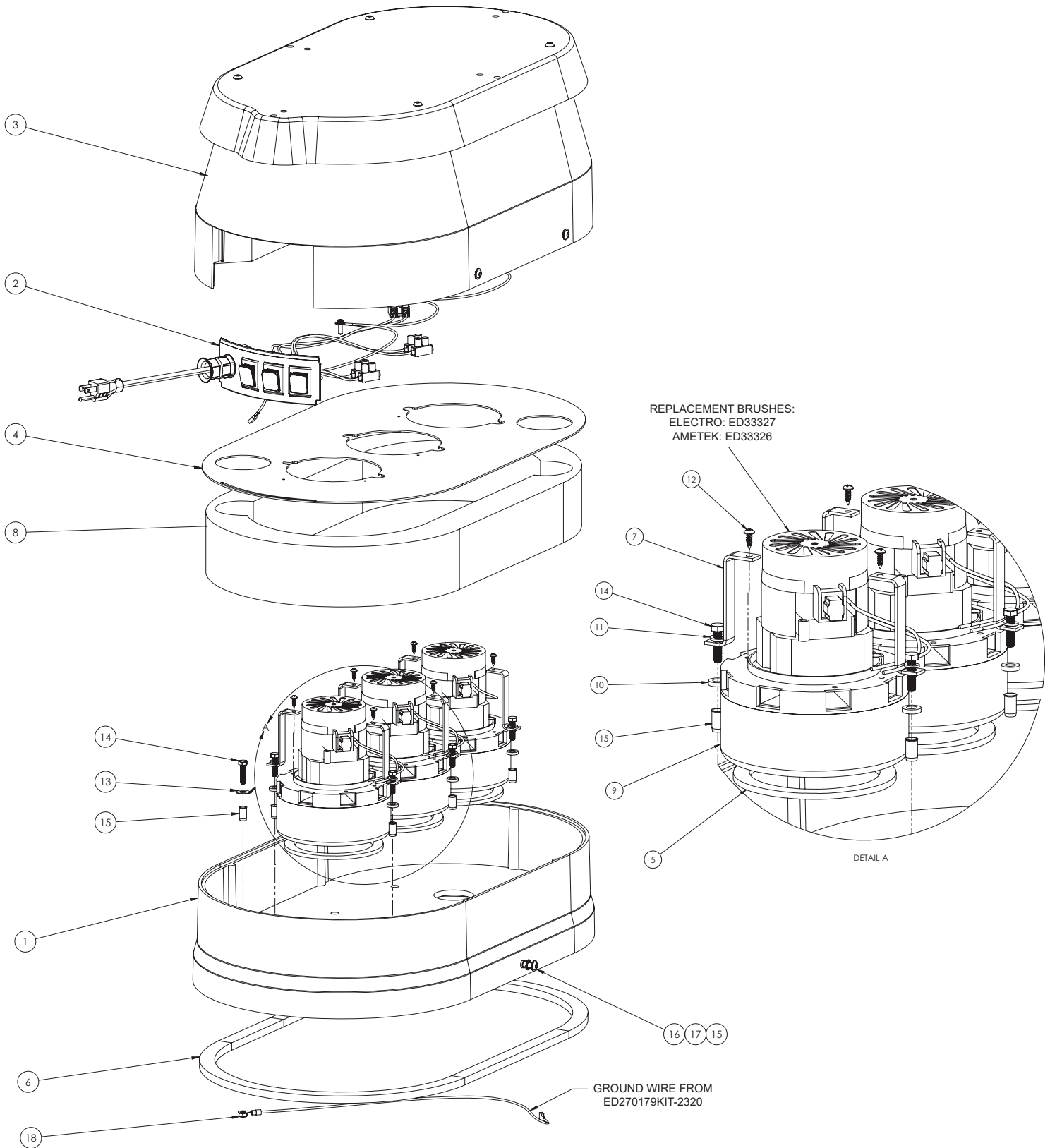


EQUIPMENT DEVELOPMENT COMPANY, INC.
 100 Thomas Johnson Drive, Frederick, MD 21702-4600 USA
 Phone: 800-638-3326 or 301-663-1600 • Fax: 800-447-3326 or 301-663-1607
 Website: www.edcoinc.com • E-mail: techsupport@edcoinc.com

Printed in USA

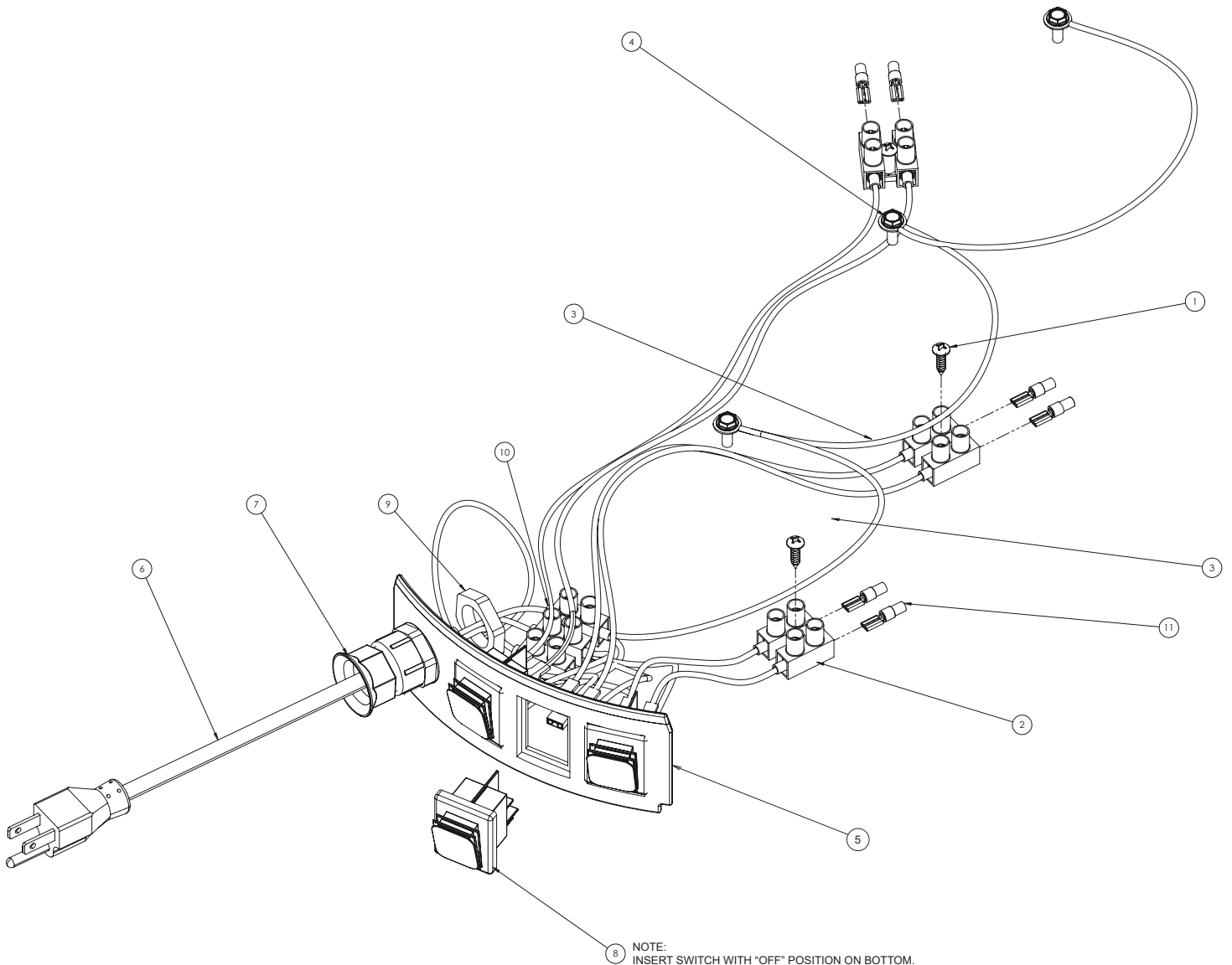
JWA ©2017

ILLUSTRATION 8: MOTOR DECK ASSEMBLY



PARTS LISTING - ILLUSTRATION 8: MOTOR DECK ASSEMBLY			
ITEM #	PART #	DESCRIPTION	QTY.
1	ED34983002	MOTOR DECK, 3 HOLES, RED, WS	1
2	N/A	SWITCH ASSEMBLY (REFER TO ILLUS. 9 FOR BREAKDOWN)	1
3	N/A	SILENCER ASSEMBLY (REFER TO ILLUS. 7 FOR BREAKDOWN)	1
4	ED34986	AIR CHANNEL PLATE, 3 MOTOR	1
5	ED32967	GASKET, MOTOR HEAD, LOWER, 3/16"THK	3
6	ED32934002	GASKET, .375IN X .75IN, 63IN LG	1
7	ED34826	MOTOR HOLD DOWN BRACKET, WS	6
8	ED34984	SILENCER FOAM, W2, LOWER	1
9	ED119514	MOTOR, 120V, 800 WATT	3
	ED33327	REPLACEMENT BRUSHES: BRUSH SET, ELECTRO MOTOR	3
	ED33326	BRUSH SET, AMETEK MOTOR	3
10	ED200432	NYLON WASHER/SPACER	6
11	ED20039	WASHER, SPLIT LOCK, M6 DIN 7980	6
12	ED27012	SCREW #8 X 1/2" PHIL PAN HEAD, ZINC	6
13	ED34998	GROUND CONNECTION, FOR BOLT	1
14	ED34854	BOLT, HEX, M6 X 25 ZINC	7
15	ED34817A	M6 BLIND PEM	9
16	ED348701	SCREW, BH SOC, FLANGED, M6 X 25	2
17	ED25000	WASHER, EXT. STAR 1/4"	2
18	ED34876	NUT, LOCK M6 ZINC	1

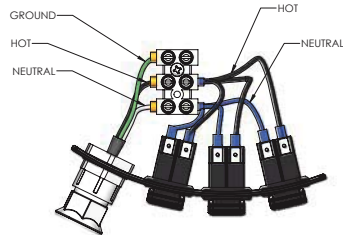


ILLUSTRATION 9: MOTOR SWITCH ASSEMBLY, 120V

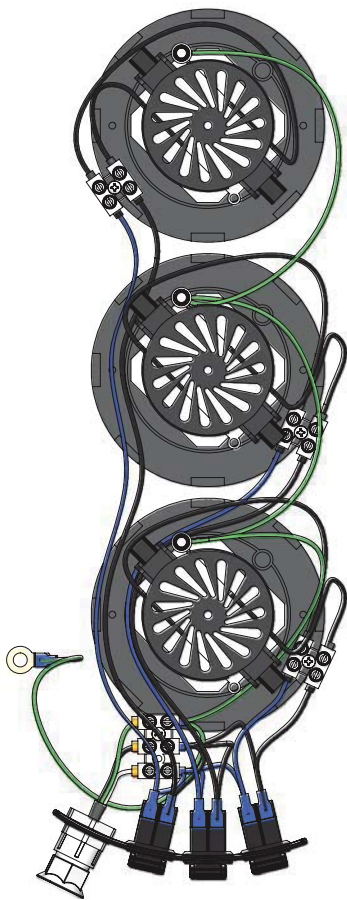
ITEM #	PART #	DESCRIPTION	QTY.
1	ED25064	SCREW PHIL PH #8 X 5/8" ZINC	4
2	ED349885	TERMINAL BLOCK, 8-18 WIRE RANGE	9
3	ED270179KIT-2320	WIRE ASSEMBLY KIT, WS 2320	1
4	ED32989	SCREW #10-16 X 5/8 HEX WASHER TEK	3
5	ED34987	SWITCH MOUNT	1
6	ED2005531	POWER CORD, 12/3 SJO W/MOLDED PLUG	1
7	ED34955	CABLE GRIP, PG16, WITH WIRE CLAMP	1
8	ED27017L	SWITCH, ROCKER, WS, CLEAR	3
9	ED34955-1	NUT, PG16	1
10	ED12270	INSULATED FERRULE, ORANGE, 4MM	3
11	ED21097	INSULATED FERRULE, GREY, 2.2MM ID, 14MM LG	6

WIRING SCHEMATIC

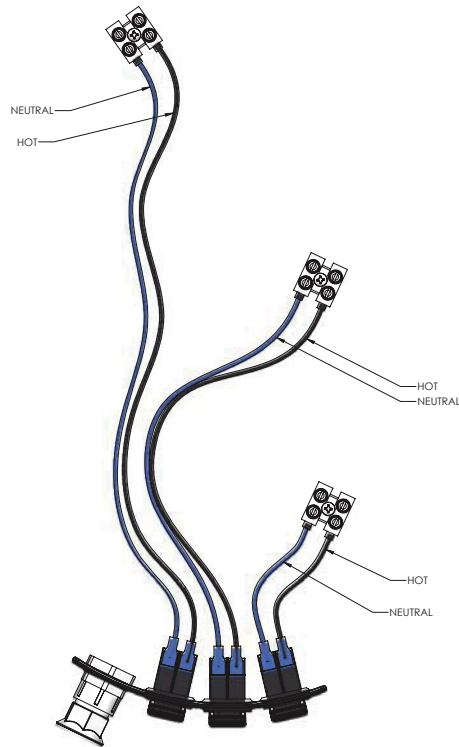
HOT- - - - -BLACK
NEUTRAL- - - - -WHITE/BLUE
GROUND- - - - -GREEN



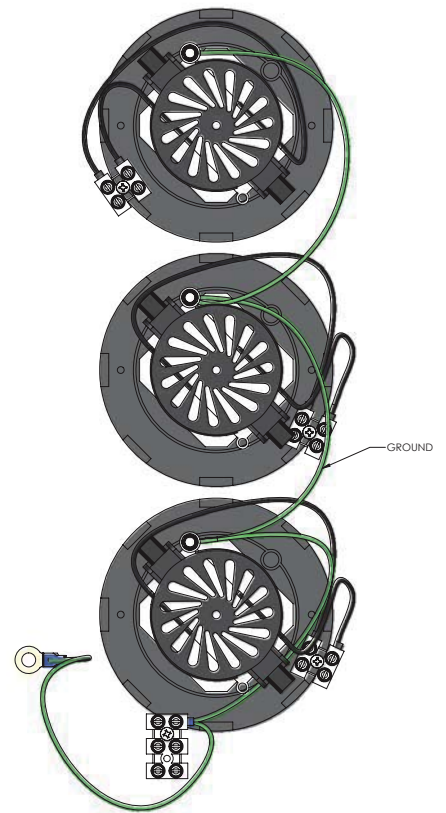
POWER TO SWITCHES



COMPLETED ASSEMBLY



SWITCHES TO TERMINAL BLOCKS



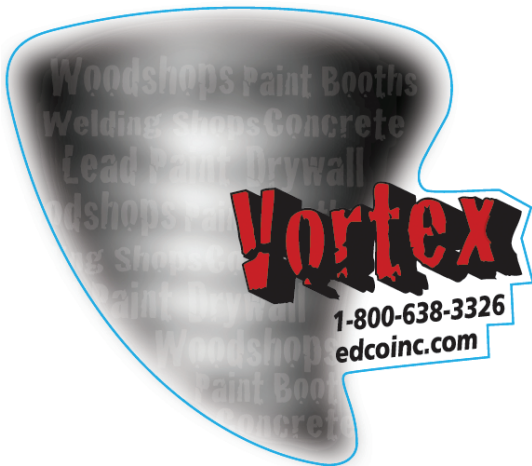
GROUND AND MOTOR



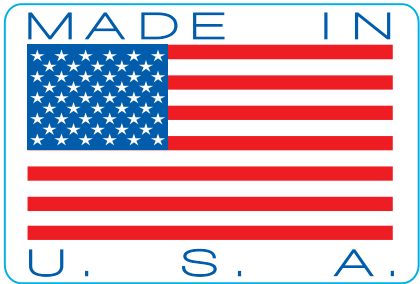
DECAL SHEET

P/N 92226 Rev.C

8-1/2 x 11



FILTER SHAKE DOWN



FOR DRY USE ONLY 



LIMITED EQUIPMENT WARRANTY OF SALE - TERMS & CONDITIONS

Equipment Development Company, Inc. herein referred to as EDCO (Seller) warrants that each new unit manufactured by EDCO to be free from defects in material and workmanship in normal use and service for a period of (1) one year (except for the cutter drum assembly on all model concrete/asphalt planes, in which case the warranty period shall be 90 days) from date of shipment to the original retail or equipment rental center owner.

Accessories or equipment furnished and installed on the product by EDCO but manufactured by others, including, but not limited to engines, motors, electrical components, transmissions etc., shall carry the accessory manufacturers own warranty.

EDCO will, at its option, repair or replace, at the EDCO factory or at a point designated by EDCO, any part which shall appear to the satisfaction of EDCO inspection to have been defective in material or workmanship.

EDCO reserves the right to modify, alter and improve any part or parts without incurring any obligation to replace any part or parts previously sold without such modified, altered or improved part or parts.

This warranty is in lieu of and excludes all other warranties, expressed, implied, statutory, or otherwise created under applicable law including, but not limited to the warranty of merchantability and the warranty of fitness for a particular purpose in no event shall seller or the manufacturer of the product be liable for special, incidental, or consequential damages, including loss of profits, whether or not caused by or resulting from the negligence of seller and/or the manufacturer of the product unless specifically provided herein. In addition, this warranty shall not apply to any products or portions thereof which have been subjected to abuse, misuse, improper installation, maintenance, or operation, electrical failure or abnormal conditions and to products which have been tampered with, altered, modified, repaired, reworked by anyone not approved by seller or used in any manner inconsistent with the provisions of the above or any instructions or specifications provided with or for the product.

FORCE MAJEURE

Seller's obligation hereunder are subject to, and Seller shall not be held responsible for, any delay or failure to make delivery of all or any part of the Product due to labor difficulties, fires, casualties, accidents, acts of the elements, acts of God, transportation difficulties, delays by a common carrier, inability to obtain Product, materials or components or qualified labor sufficient to timely perform part of or all of the obligations contained in these terms and conditions, governmental regulations or actions, strikes, damage to or destruction in whole or part of manufacturing plant, riots, terrorist attacks or incidents, civil commotions, warlike conditions, flood, tidal waves, typhoon, hurricane, earthquake, lightning, explosion or any other causes, contingencies or circumstances within or without the United States not subject to the Seller's control which prevent or hinder the manufacture or delivery of the Products or make the fulfillment of these terms and conditions impracticable. In the event of the occurrence of any of the foregoing, at the option of Seller, Seller shall be excused from the performance under these Terms and Conditions, or the performance of the Seller shall be correspondingly extended.

This document sets forth the terms and conditions pursuant to which the purchaser ("Purchaser") will purchase and Equipment Development Co. Inc. ("Seller") will sell the products, accessories, attachments (collectively the Products) ordered by the Purchaser. These terms and conditions shall govern and apply to the sale of Seller's Products to Purchaser, regardless of any terms and conditions appearing on any purchase order or other forms submitted by Purchaser to Seller, or the inconsistency of any terms therein and herein.

1. PRICE

All prices set forth on any purchase order or other document are F.O.B. Sellers facility or distribution point, as may be determined by Seller (F.O.B. Point). All prices are exclusive of any and all taxes, including, but not limited to, excise, sales, use, property or transportation taxes related to the sale or use of the Products, now or hereafter imposed, together with all penalties and expenses. Purchaser shall be responsible for collecting and/or paying any and all such taxes, whether or not they are stated in any invoice for the Products. Unless otherwise specified herein, all prices are exclusive of inland transportation, freight, insurance and other costs and expenses relating to the shipment of the Products from the F.O.B. point to Purchaser's facility. Any prepayment by Seller of freight insurance and other costs shall be for the account of Purchaser and shall be repaid to Seller.

2. PAYMENT TERMS

Payment terms are as follows. 2% 10 days (to approved and qualified accounts). Net 30 days. This is a cash discount for invoices paid within 10 days after the invoice date, regardless of date of receipt of shipment. This is not a trade discount and will not be granted to accounts that do not adhere to stated terms.

*All past due accounts are subject to a late payment fee of 1.5% per month or a maximum allowed by law if different, along with the expenses incidental to collection including reasonable attorney's fees and costs.

*Seller reserves the right to hold shipments against past due accounts.

*Seller reserves the right to alter payment terms.

3. FREIGHT TERMS

All shipments will be made F.O.B. shipping point as designated in these Terms and Conditions, and title shall pass at the F.O.B. point. Delivery to the initial common carrier shall constitute delivery to the Purchaser. Any claims for loss or damage during shipment are to be filed with carrier by the Purchaser. Seller will not assume responsibility for the performance of the carrier.

Back orders will be shipped in the most practical fashion with charges consistent with our freight policy established with the original order. UPS, FED EX, MAIL or shipments by other couriers are subject to the same terms and conditions as outlined in paragraph #3 "Freight Terms".

4. DELIVERY, DAMAGES, SHORTAGES

Seller shall use reasonable efforts to attempt to cause the Products to be delivered as provided for in these Terms & Conditions. Delivery to the initial common carrier shall constitute the delivery to the Purchaser. Seller's responsibility, in so far as transportation risks are concerned ceases upon the delivery of the Products in good condition to such carrier at the F.O.B. point and all the Products shall be shipped at the Purchaser's risk. Seller shall not be responsible or liable for any loss of income and/or profits, or incidental, special, consequential damages resulting from Seller's delayed performance in shipment and delivery.

5. RETURN OF DEFECTIVE PRODUCTS

Defective or failed material shall be held at the Purchaser's premises until authorization has been granted by Seller to return or dispose of Products. Products that are to be returned for final inspection must be returned Freight Prepaid in the most economical way. Credit will be issued for material found to be defective upon Seller's inspection based on prices at time of purchase.

6. PRODUCTS ORDERED IN ERROR

Products may be returned, provided that claim is made and Seller is notified within 7 days of receipt of Products, and the Products are in original buyer's possession not more than 30 days prior to return, subject to Seller's approval. If Products are accepted for return, they must be Freight Prepaid and buyer will be charged a minimum of 15% restocking charge, plus a charge back for outbound freight charges if the original order was shipped prepaid. Returns are not accepted for any Products that are specifically manufactured to meet the buyer's requirement of either specifications or quantity.

AGREEMENTS

These Terms and Conditions constitute the entire agreement between Seller and Purchaser as it relates to terms and conditions of sale, and supersedes any and all prior oral or written agreements, correspondence, quotations or understandings heretofore in force between the parties relating to the subject matter hereof. There are no agreements between Seller and Purchaser with respect to the Product herein except those specifically set forth in and made part of these terms and conditions. Any additional terms, conditions and/or prices are rejected by Seller.

These terms and conditions may be modified, cancelled or rescinded only by a written agreement of both parties executed by their duly authorized agents.

USE ONLY GENUINE EDCO PARTS & ACCESSORIES
For your own safety, the safety of others and the life of your machine.
Equipment Development Company, Inc.



EQUIPMENT DEVELOPMENT COMPANY, INC.
 100 Thomas Johnson Drive, Frederick, MD 21702-4600 USA
 Phone: 800-638-3326 or 301-663-1600 • Fax: 800-447-3326 or 301-663-1607
 Website: www.edcoinc.com • E-mail: techsupport@edcoinc.com

Printed in USA

JVA ©2017

Page 19



BEFORE USING THIS PRODUCT

Have You Used EDCO's Online Customer Support??



Scan This QRC or Visit
www.edcoinc.com/customer-support



READ: **EDCO Owner's Manuals and Parts Listings** share basic information and parts of each product. Download and print them whenever needed.



WATCH: **EDCO Product Training Videos** show how to use products, install tooling, and perform basic maintenance.



Example Only

FIND: Somewhere on this product is an **EDCO QRC Training Decal**. Scanning this code provides owner's information, videos, and other training content anywhere/anytime on your mobile device.



JOIN: **EDCOed.com** is a free, 24-hour training space. Each certification track focuses on a specific EDCO product group. The information in these tracks help businesses be successful with those products.

EDCO is always updating online training / information so you always have the most recent content.

Also see Operator's Safety & Limited Warranty Manual

Equipment Development Co., Inc. • 800.638.3326 • techsupport@edcoinc.com