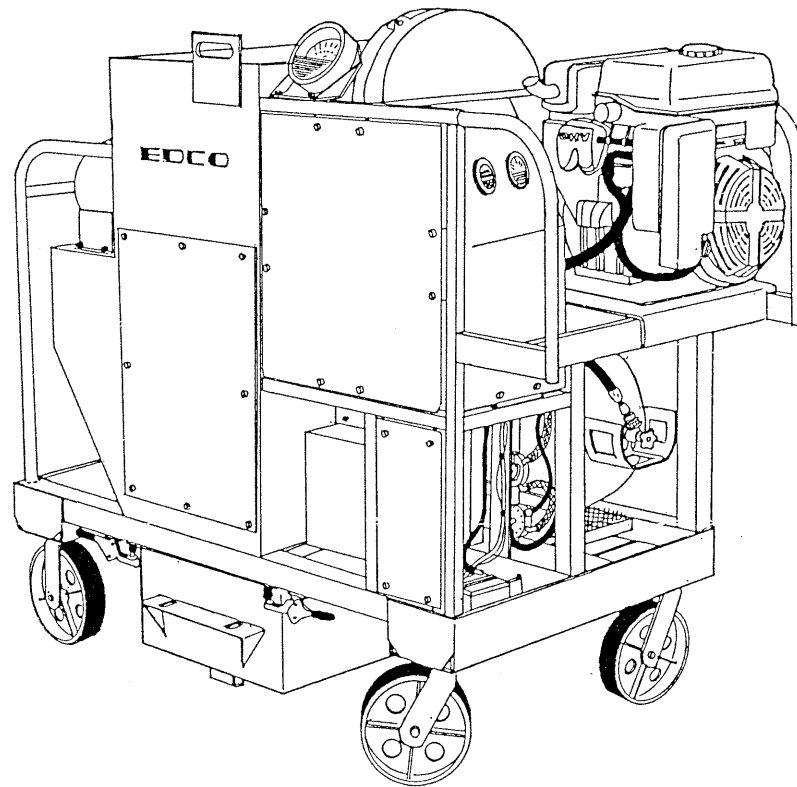


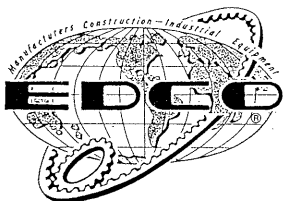
July 1, 1993

DUST COLLECTOR VACUUM

PARTS LIST MANUAL



MODEL VAC-150-G/P

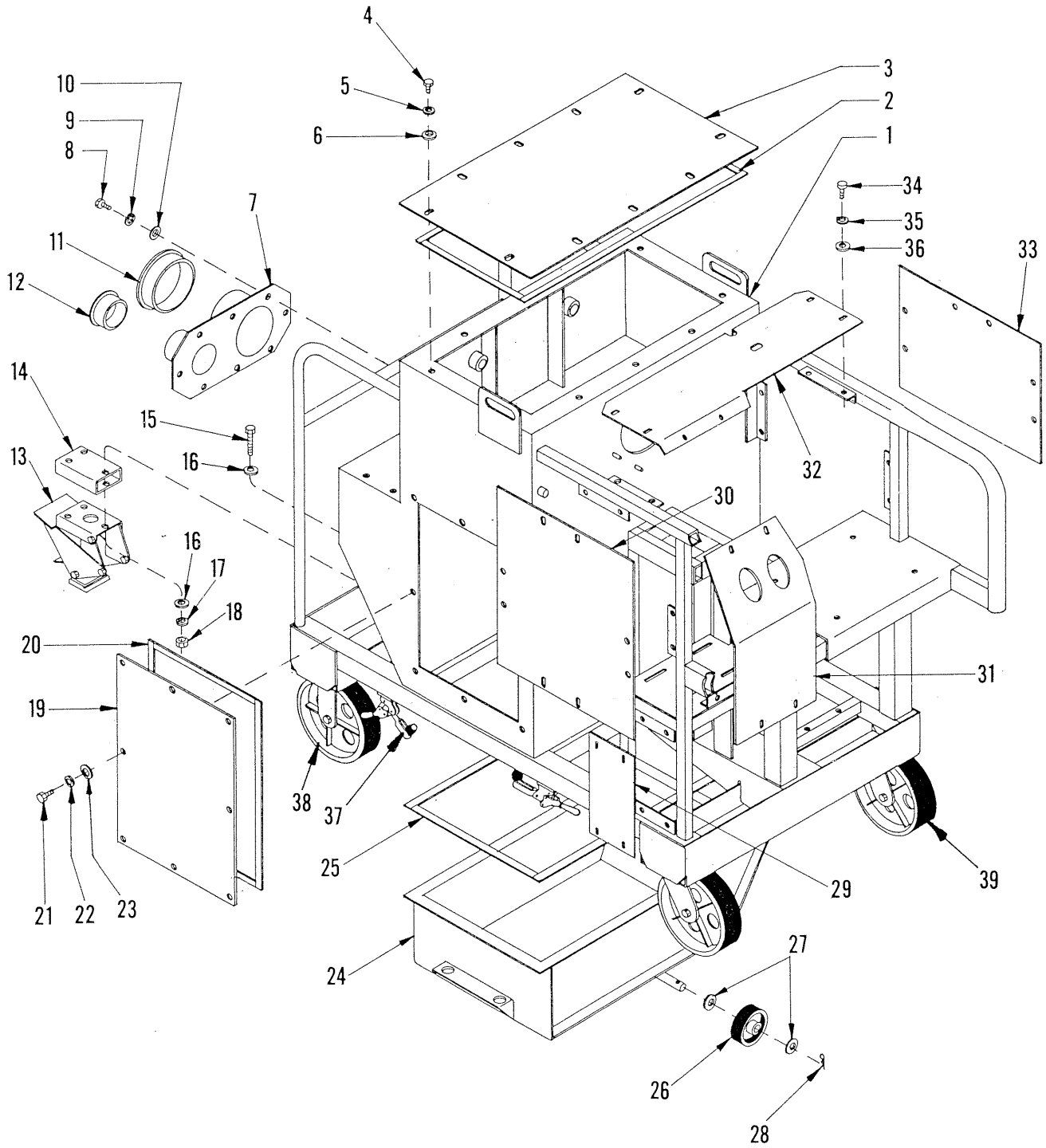


EQUIPMENT DEVELOPMENT COMPANY, INC.

100 THOMAS JOHNSON DRIVE, FREDERICK, MARYLAND 21702-4305 USA
301-663-1600 TOLL FREE 1-800-638-3326 FAX 301-663-1607

PRINTED IN U.S.A.

ILLUSTRATION 1 : MAIN ASSEMBLY

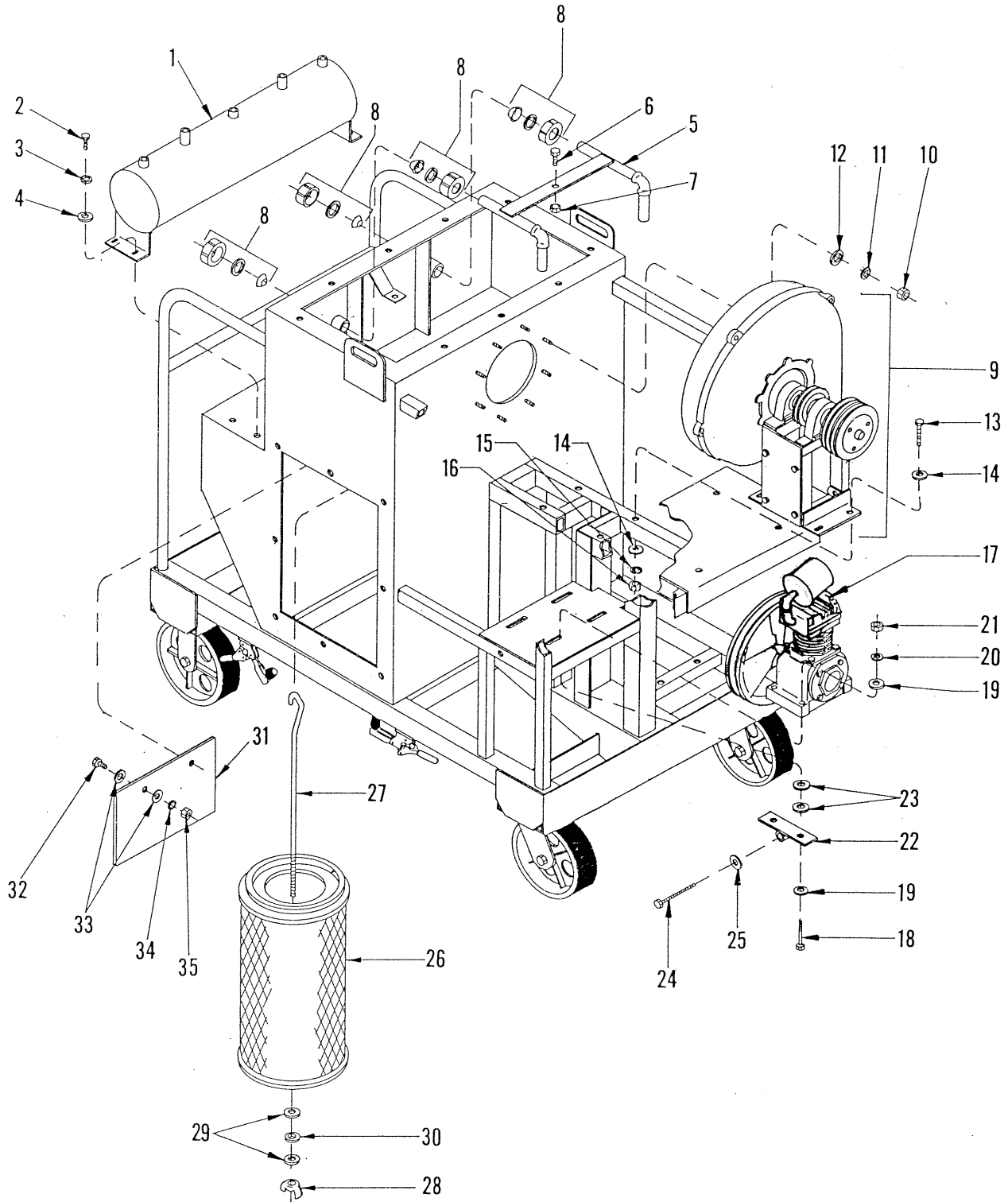


PARTS LISTING - ILLUSTRATION 1: MAIN ASSEMBLY

Item #	Part #	Description	Qty.
1	C65301	Main Frame	1
2	C65002	Door, Top Access 16 x 27-3/4	1
3		Seal Strips	
	C65019	1/2"W x 25"L	2
	C65020	1/2"W x 12"L	2
4	10806	Screw, Cap 5/16-18 x 1	10
5	10801	Washer, Lock 5/16	10
6	10213	Washer, Flat 5/16	10
7	C65140	Intake Plate, 3" & 5" Ports	1
8	10806	Screw, Cap 5/16-18 x 1	8
9	10801	Washer, Lock 5/16	8
10	10213	Washer, Flat 5/16	8
11	C90244	Caplug 5"	1
12	64030	Caplug 3"	1
13	68036	Kick-Stand Assembly	1
14	C65021	Kick-Stand Spacer	1
15	10010	Screw, Cap 5/16-18 x 2-1/2	3
16	10213	Washer, Flat 5/16	6
17	10801	Washer, Lock 5/16	3
18	10054	Nut 5/16-18	3
19	C65016	Door, Side Access 14-1/2 x 20-1/2	1
20		Seal Strips	
	C65006	1/2"W x 19"L	2
	C65007	1/2"W x 12"L	2
21	10806	Screw, Cap 5/16-18 x 1	8
22	10801	Washer, Lock 5/16	8
23	10213	Washer, Flat 5/16	8
24	C65017	Pan, Dust Collector	1
25		Seal Strips	
	C65003	1/2"W x 27"L	2
	C65004	1/2"W x 15-1/2"L	2
26	52001	Wheel 4"OD x 1-1/2 x 3/4"Brg.	2
27	10009	Washer, Flat 3/4	4
28	10306	Pin, Cotter 3/16 x 1-1/2	2
29	C65302	Access Panel, Lower Left Side	1
30	C65303	Access Panel, Upper Left Side	1
31	C65304	Console, Gauge	1
32	C65305	Cover, Top Belt	1
33	C65306	Access Panel, Right Side	1
34	10806	Screw, Cap 5/16-18 x 1	26
35	10801	Washer, Lock 5/16	26
36	10213	Washer, Flat 5/16	26
*37	C65337	Clamp, Hold-Down Toggle #227-U	4
*38	C90055	Caster, Rigid 8 x 2 Poly Wheel	2
	C90055R	Caster Rig W/ Bearing, Rigid 8"	1 ea.
	C90058	Wheel, Poly 8 x 2 x 1-3/16"Bore	1 ea.
*39	C90056	Caster, Swivel 8 x 2 Poly Wheel	2
	C90056R	Caster Rig W/ Bearing, Swivel 8"	1 ea.
	C90058	Wheel, Poly 8 x 2 x 1-3/16"Bore	1 ea.

* Note: Items 37, 38, & 39 are weldments to Main Frame

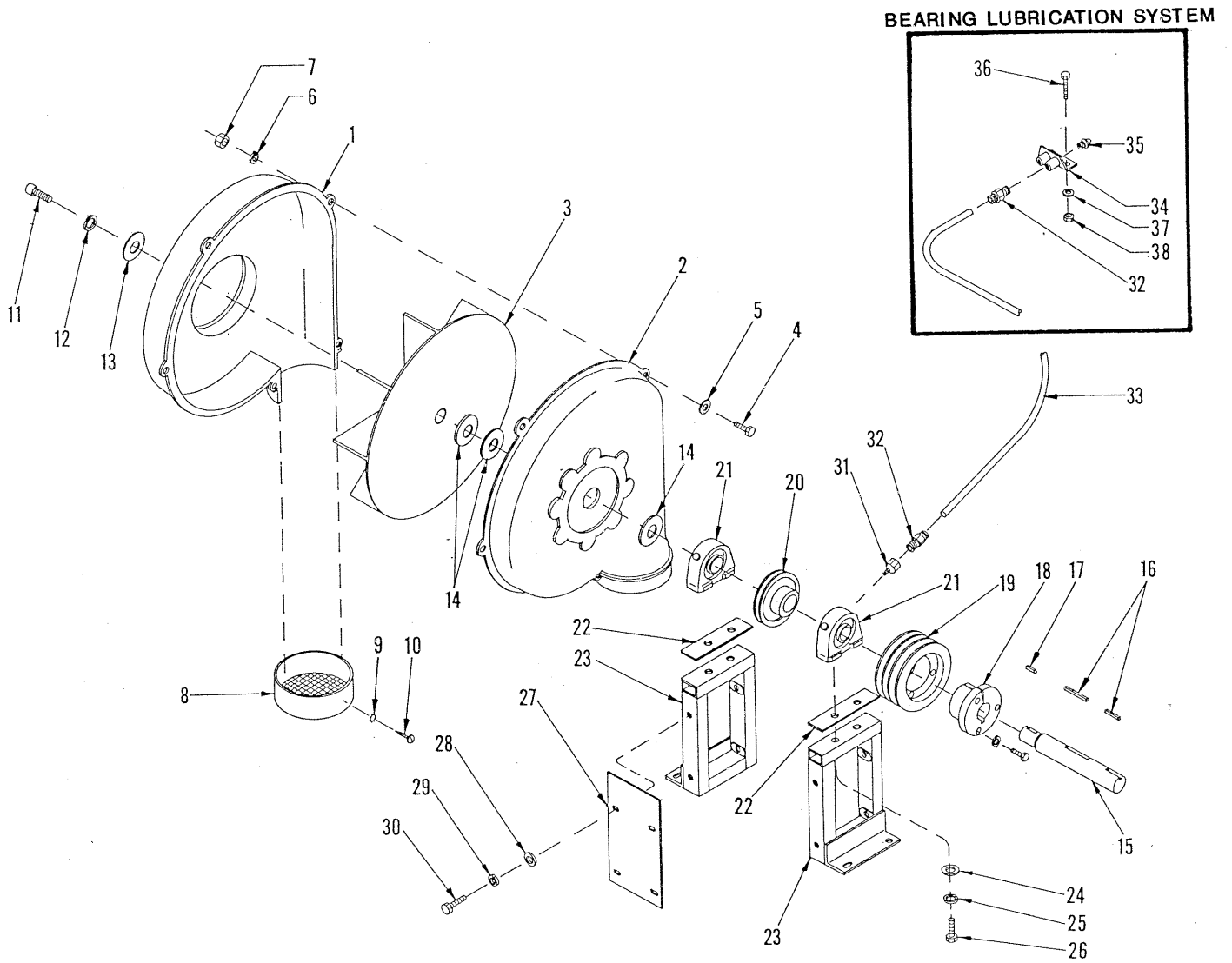
ILLUSTRATION 2 : AIR SYSTEM GROUPING



PARTS LISTING - ILLUSTRATION 2: AIR SYSTEM GROUPING

Item #	Part #	Description	Qty.
1	C65111	Tank, Air	1
2	10806	Screw, Cap 5/16-18 x 1	4
3	10801	Washer, Lock 5/16	4
4	10213	Washer, Flat 5/16	4
5	C65022	Pipe Assembly, Filter Blow-Out	1
6	10806	Screw, Cap 5/16-18 x 1	1
7	10807	Nut, Lock 5/16-18	1
8	-----	Nut & Bushing, Repair Coupling (Coupling welded to chamber)	
9	-----	Blower Assembly (See Illus. 3 for Breakdown)	
10	10014	Nut 3/8-24	8
11	10811	Washer, Lock 3/8	8
12	10025	Washer, Flat 3/8	8
13	10815	Screw, Cap 3/8-24 x 2-3/4	4
14	10025	Washer, Flat 3/8	8
15	10811	Washer, Lock 3/8	4
16	10014	Nut 3/8-24	4
17	C65340	Compressor, Air 1 HP (Model F) (See Illus. 8 for Breakdown)	1
18	10001	Screw, Cap 1/4-20 x 2-1/2	4
19	10602	Washer, Flat 1/4	8
20	10038	Washer, Lock 1/4	4
21	10013	Nut 1/4-20	4
22	C65307	Tensioner, Compressor	1
23	10602	Washer, Flat 1/4	4
24	10867	Screw, Full Thd. 5/16-18 x 4	1
25	10025	Washer, Flat 3/8	1
26	C90225	Filter 9" x 18"	2
27	C65108	Rod, Filter Hanger	2
28	10900	Nut, Wing 1/2-13	2
29	10009	Washer, Flat 3/4	4
30	79035	Bushing, Rubber 5/8ID x 1/4Thk	2
31	C65009	Baffle Plate 12 x 8	1
32	10031	Screw, Cap 1/4-20 x 1	2
33	10602	Washer, Flat 1/4	4
34	10038	Washer, Lock 1/4	2
35	10013	Nut 1/4-20	2
36	C65341	Filter Adapter Kit, Compressor	1

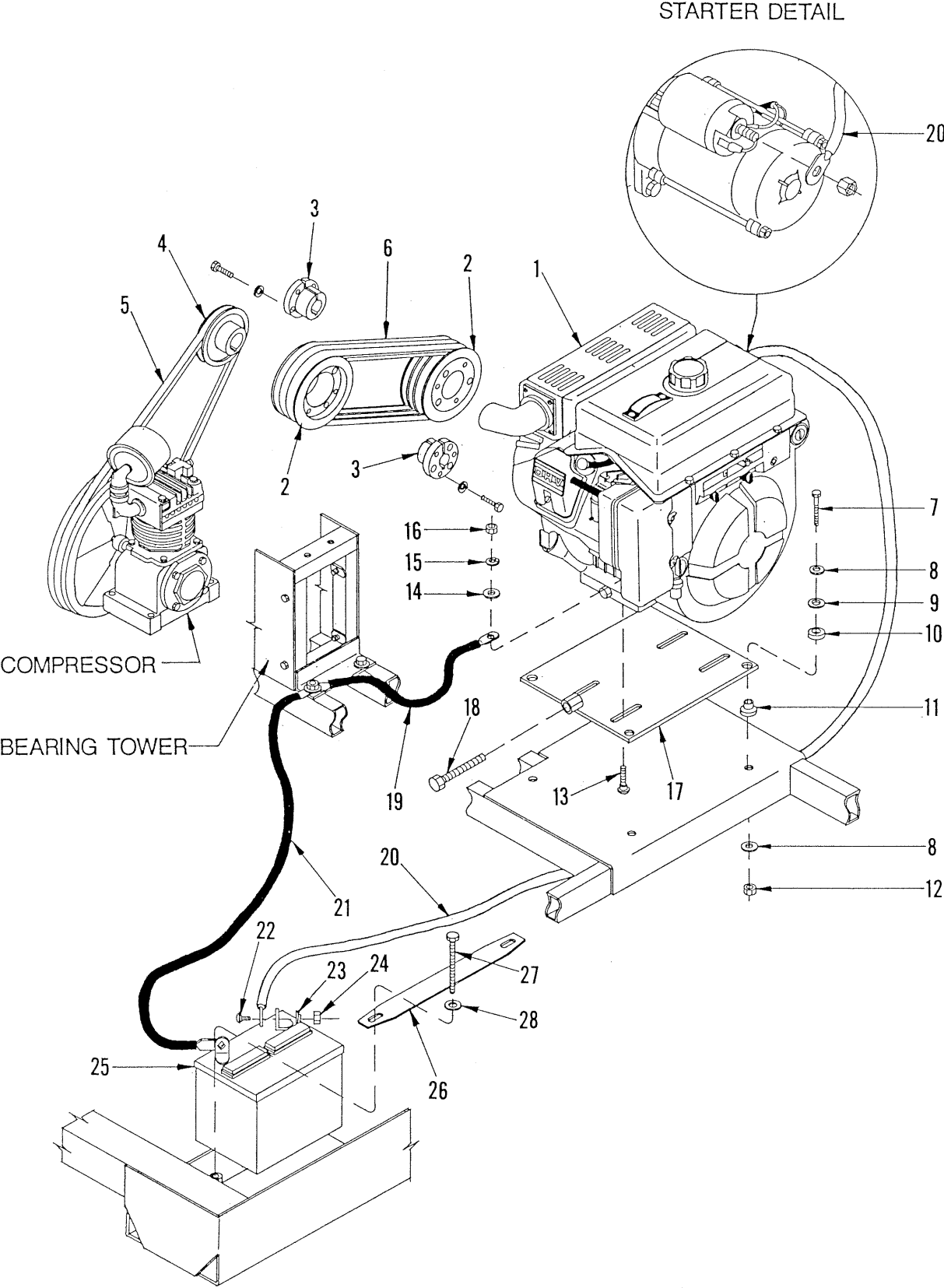
ILLUSTRATION 3 : BLOWER ASSEMBLY



PARTS LISTING - ILLUSTRATION 3: BLOWER ASSEMBLY

Item #	Part #	Description	Qty.
1	C65316	Blower Housing, Inlet Side	1
2	C65317	Blower Housing, Motor Side	1
3	C65318	Blower Wheel (7/8" Bore)	1
4	10806	Screw, Cap 5/16-18 x 1	5
5	10213	Washer, Flat 5/16	5
6	10801	Washer, Lock 5/16	5
7	10054	Nut 5/16-18	5
8	C65135	Guard, Blower	1
9	10455	Washer, Ext. Tooth #10	1
10	10828	Screw, Self-Tap 10-24 x 1/2	1
11	10419	Screw, Skt. Hd. Cap 1/2-13 x 1	1
12	10420	Washer, Lock 1/2 Heavy Duty	1
13	10426	Washer, Spring 1/2"ID x 3/64"Thk	1
14	10866	Washer, Hard Fiber 2-1/4"OD x 1"ID x 1/8"Thk	3
15	C65315	Jackshaft, Blower	1
16	10305	Key 1/4 Sq. x 1-1/4	2
17	10142	Key 3/16 Sq. x 3/4	1
18	10043	Bushing, Sheave SDS x 1"Bore	1
19	10554	Sheave 4.5"OD x 3Gr.3V x SDS	1
20	C65331	Sheave 3.8"OD x 1Gr.B x 1"Bore	1
21	50222	Bearing, Ball 1" Tapped Block	2
22		Shim, Bearing 1/16" Thick	2
	C65312	1/8" Thick	
	C65311	3/16" Thick	
23	C65314	Tower, Bearing	2
24	10025	Washer, Flat 3/8	4
25	10811	Washer, Lock 3/8	4
26	10068	Screw, Cap 3/8-16 x 1-1/2	4
27	C65310	Support Plate, Bearing Tower	2
28	10213	Washer, Flat 5/16	8
29	10801	Washer, Lock 5/16	8
30	10342	Screw, Cap 5/16-18 x 1-1/2	8
31	50541	Adapter 1/8FPT x 1/4-28	2
32	10599	Fitting, Push-In 1/4Tb x 1/8MPT	4
33	C65309	Tubing, Nylon 1/4"OD x 18	2
34	C65308	Bracket, Grease Fitting	1
35	10953	Fitting, Grease 1/8 NPT	2
36	10315	Screw, Cap 1/4-20 x 1-1/2	2
37	10038	Washer, Lock 1/4	2
38	10013	Nut 1/4-20	2

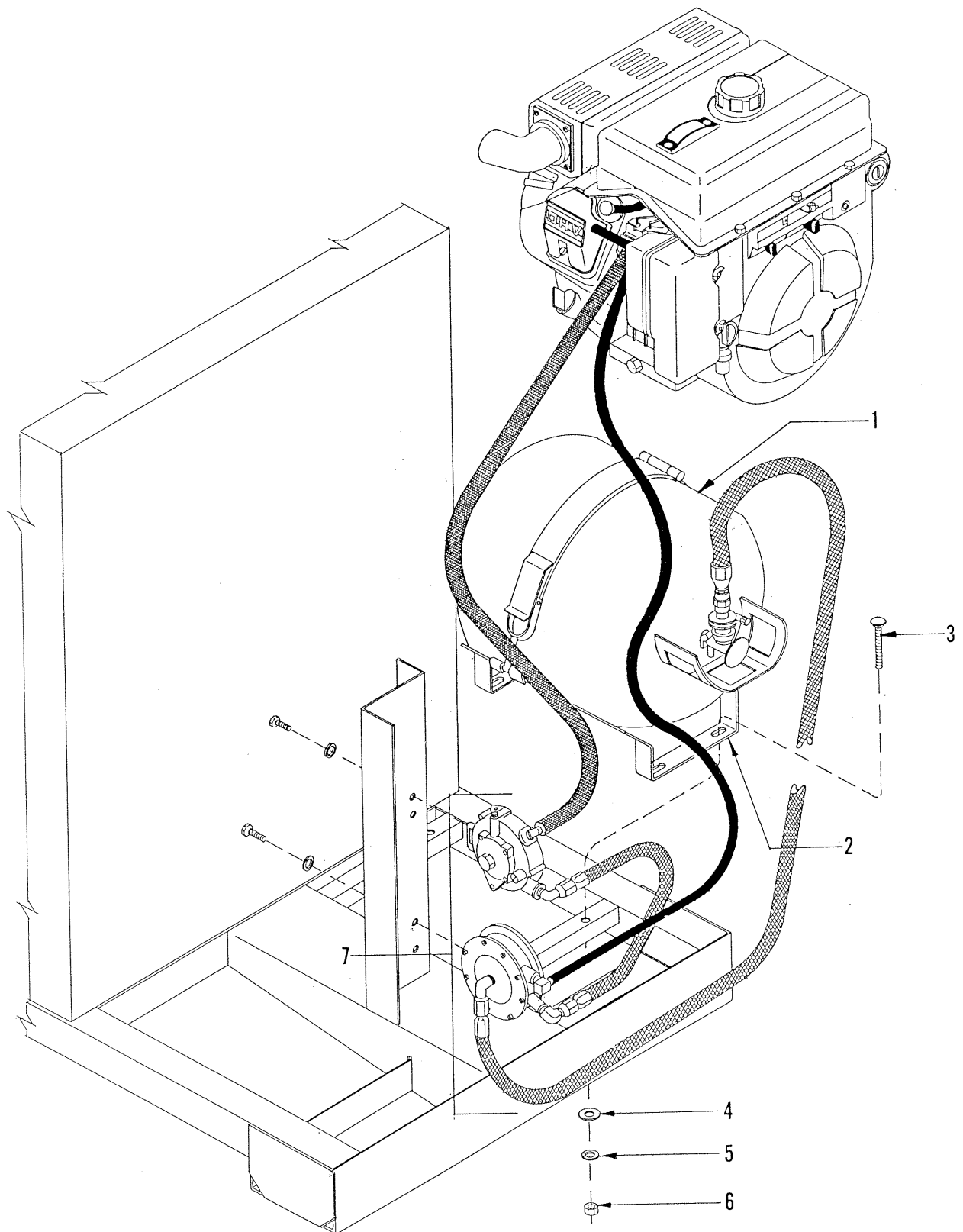
ILLUSTRATION 4 : ENGINE & BELT DRIVE ASSEMBLY



PARTS LISTING - ILLUSTRATION 4:
ENGINE AND BELT DRIVE ASSEMBLY

Item #	Part #	Description	Qty.
1	15030	Engine, Kawasaki 9 HP FE290D	1
2	10554	Sheave 4.5"OD x 3Gr.3V x SDS (See Illus. 3 - Item #18)	2
3	10043	Bushing, Sheave SDS x 1"Bore (See Illus. 3 - Item #17)	2
4	C65331	Sheave 3.8"OD x 1Gr.B x 1"Bore (See Illus. 3 - Item #19)	1
5	10274	Belt BP-50	1
6	10273	Belt 3VX-300	3
7	10029	Screw, Cap 3/8-24 x 1-3/4	4
8	10025	Washer, Flat 3/8	8
9	10312	Washer, Flat 1/2	4
10	79035	Bushing, Rubber 5/8ID x 1/4Thk	4
11	10225	Bushing, Rubber Engine Mount	4
12	10004	Nut, Lock 3/8-24	4
13	10804	Bolt, Carriage 3/8-16 x 1-1/2	4
14	10025	Washer, Flat 3/8	4
15	10811	Washer, Lock 3/8	4
16	10404	Nut 3/8-16	4
17	C65342	Mount, Engine	1
18	10410	Screw, Full Thd. 3/8-16 x 2-1/2	1
19	84009	Cable, Eye-Eye 4Ga. x 12" Black	1
20	50437	Cable, Eye-Eye 4Ga. x 58" Red	1
21	50117B	Cable, Eye-Eye 4Ga. x 24" Black	1
22	10818	Bolt, Carriage 5/16-18 x 3/4	2
23	10801	Washer, Lock 5/16	2
24	10054	Nut 5/16-18	2
25	84011	Battery 12 Volt/295CCA	1
26	C65345	Clamp, Battery Hold Down	1
27	10867	Screw, Full Thd. 5/16-18 x 4	2
28	10213	Washer, Flat 5/16	2

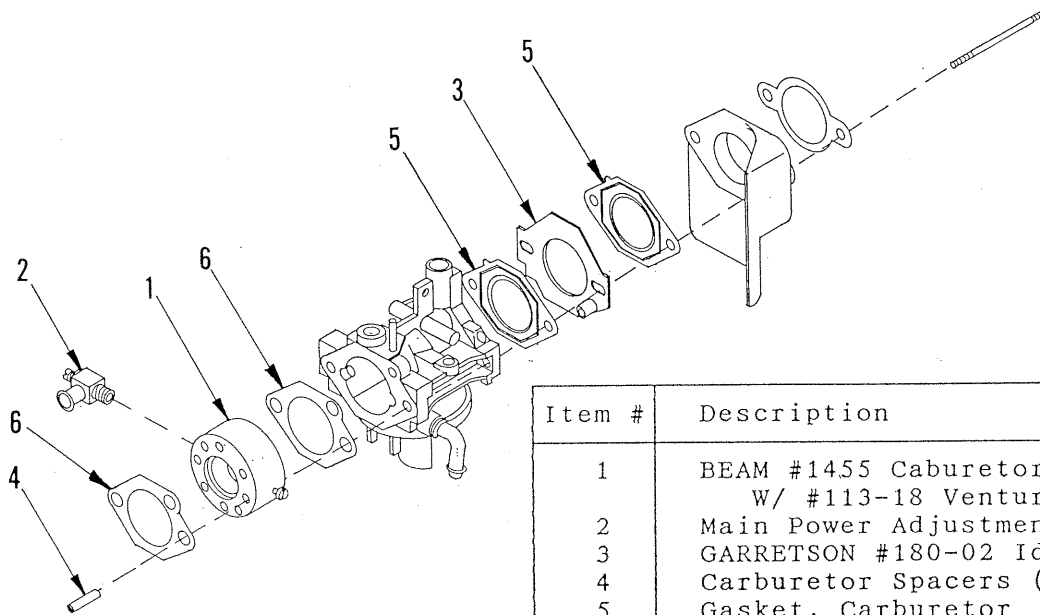
ILLUSTRATION 5 : OPTIONAL PROPANE ASSEMBLY



PARTS LISTING - ILLUSTRATION 5: OPTIONAL PROPANE ASSEMBLY

Item #	Part #	Description	Qty.
1	77060	Tank, Propane 20 Lb. Horizontal	1
2	77061	Mounting Bracket TB-4	1
3	10087	Bolt, Carriage 3/8-16 x 1-3/4	4
4	10025	Washer, Flat 3/8	4
5	10811	Washer, Lock 3/8	4
6	10404	Nut 3/8-16	4
7	15124	Vapor Kit (Includes the following parts) BEAM Model 50 Dry-Gas Regulator IMPCO Model VFF30 Vacuum Fuellock-Filter BEAM #1455 Carburetor Adapter W/ #113-18 Venturi Main Power Adjustment Screw GARRETSON #180-02 Idle Plate Carburetor Spacers (2) High Pressure Fitting P.O.L. Fitting High Pressure LP Hose (3 Ft.) High Pressure LP Hose (8 In.) Low Pressure Hose (3 Ft.) Vacuum Hose (3 Ft.)	1

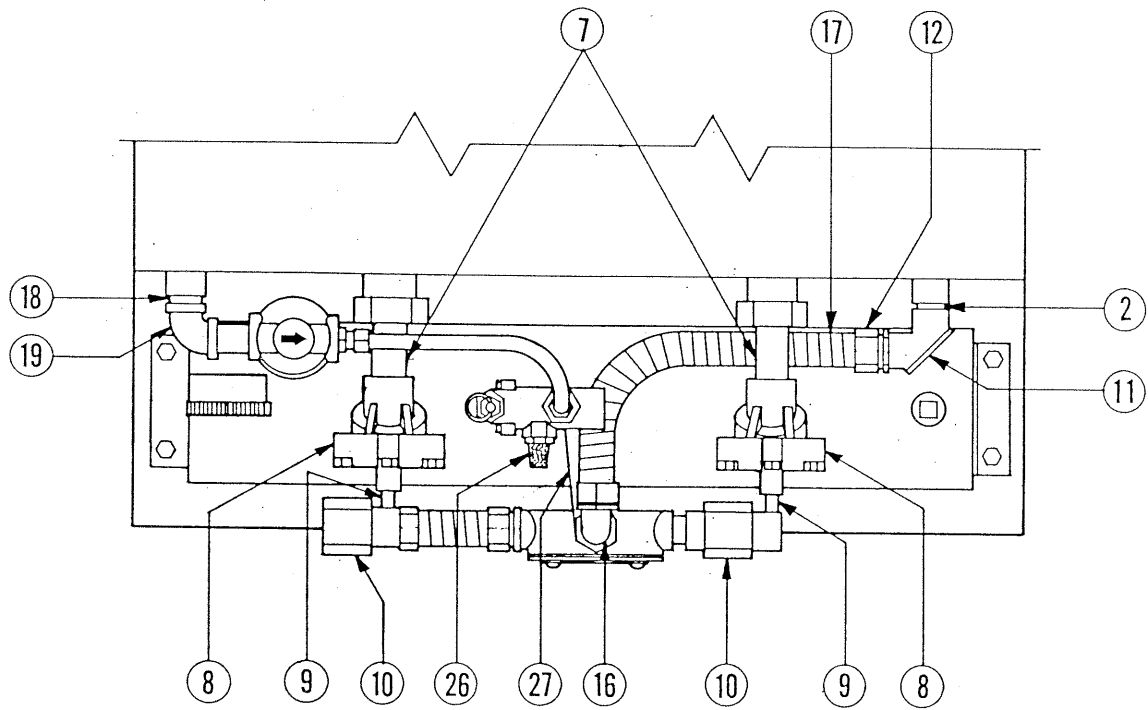
ILLUSTRATION 6 : CARBURETOR ASSEMBLY
FOR PROPANE MODEL



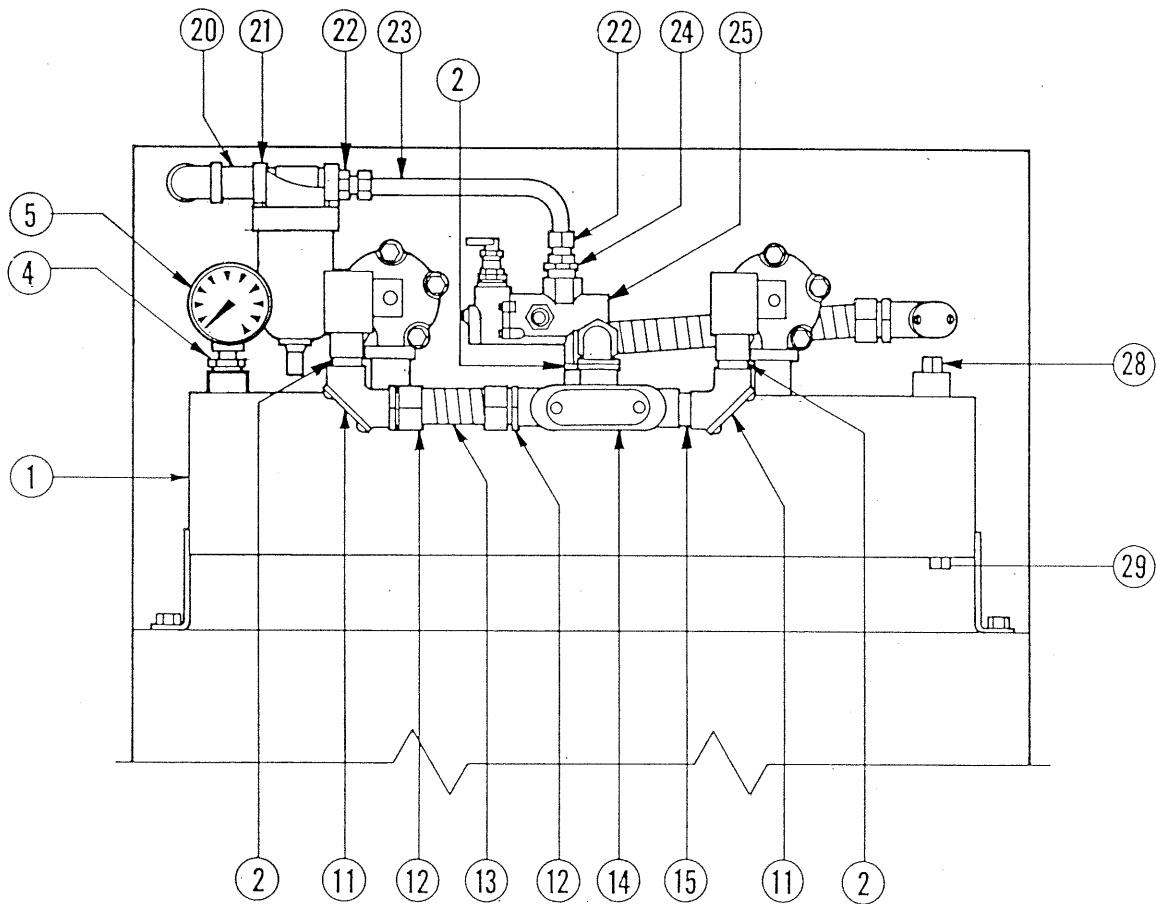
Item #	Description
1	BEAM #1455 Carburetor Adapter W/ #113-18 Venturi
2	Main Power Adjustment Screw
3	GARRETSON #180-02 Idle Plate
4	Carburetor Spacers (2)
5	Gasket, Carburetor
6	Gasket, Air Filter

NOTE: Components of Vapor Kit
(Illustration 5 - Item 7)

ILLUSTRATION 7 : AIR TANK PLUMBING ASSEMBLY



TOP VIEW

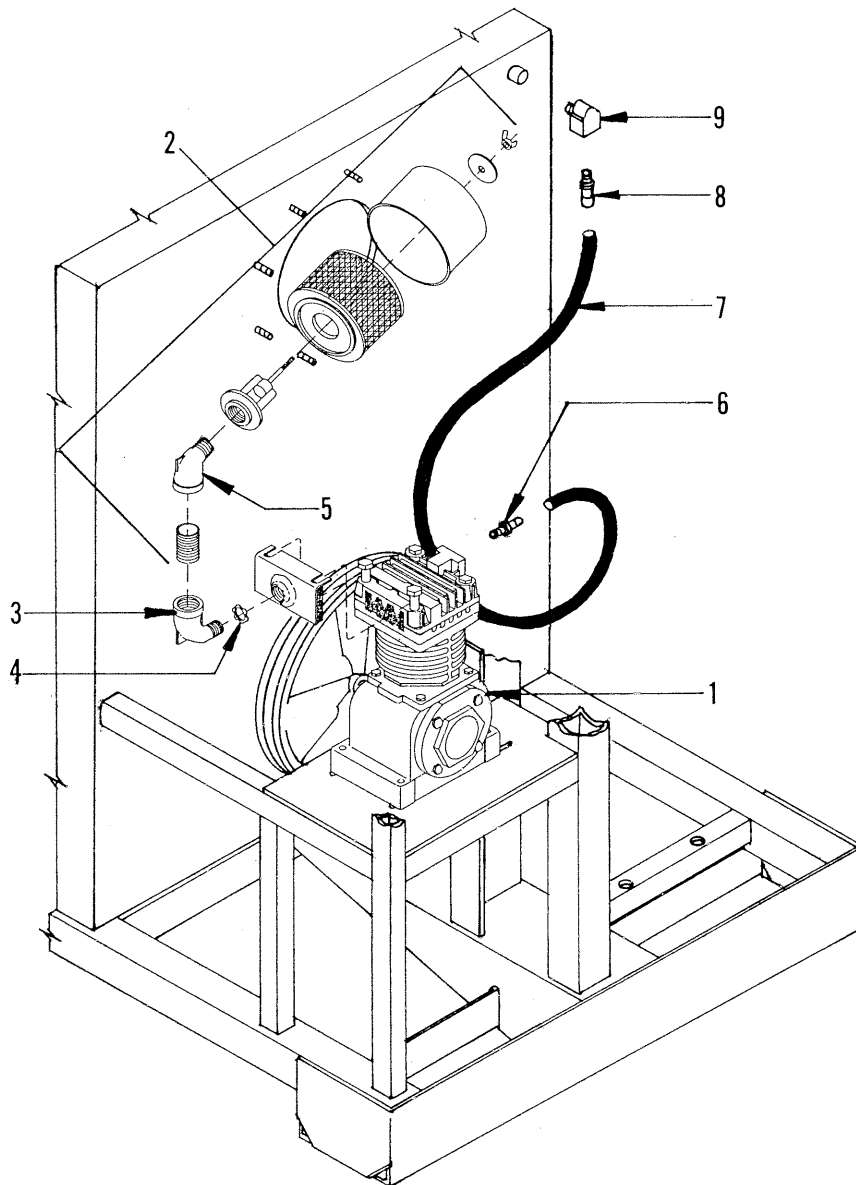


FRONT VIEW

PARTS LISTING - ILLUSTRATION 7: AIR TANK PLUMBING ASSEMBLY

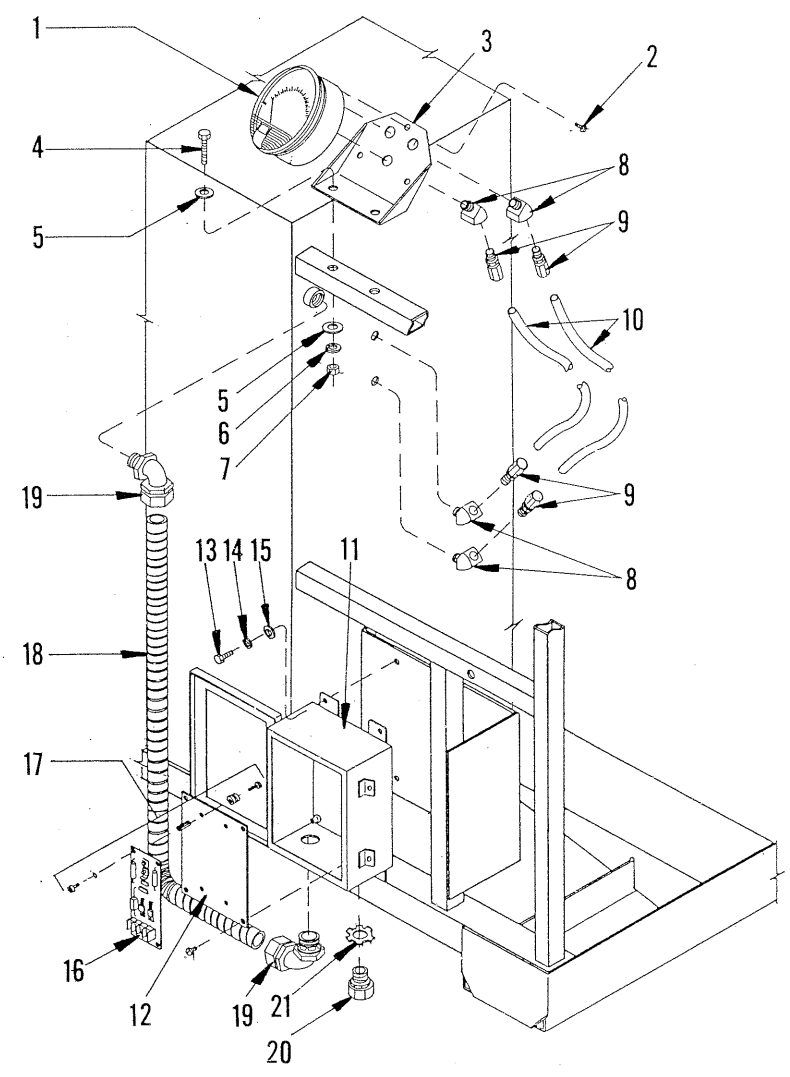
Item #	Part #	Description	Qty.
1	C65111	Tank, Air (See Illus. 2 - Item #1)	1
2	10728	Pipe Nipple, Close 1/2 NPT	4
3	-----	Part Discontinued	
4	10746	Bushing, Hex 1/2 x 1/4 NPT	1
5	C90207	Gauge, Air Pressure	1
6	-----	Part Discontinued	
7	C65109	Pipe 3/4 NPT (1 End) x 3"L	2
8	C65107	Valve, Air 3/4 NPT	2
9	10798	Pipe Nipple 1/8 NPT x 1-1/2"L	2
10	C65335	Solenoid, Air 12 VDC	2
11	C90212	Elbow, 1/2 Pull W/ Cover	3
12	C90210	Fitting, Straight Liq. Tite 1/2	3
13	C90263	Conduit, Flex 1/2 I.D. x 3-1/2	1
14	C90213	Outlet Body W/ Cover 1/2"	1
15	10796	Pipe Nipple 1/2 NPT x 1-1/2"L	1
16	C90211	Fitting, Elbow 90° Liq. Tite 1/2"	1
17	C65336	Conduit Flex 1/2 I.D. x 13	1
18	10761	Pipe Nipple 3/8 NPT x 1-1/2	1
19	10791	Elbow, Female 3/8 NPT x 90°	1
20	10787	Pipe Nipple 3/8 NPT x 2	1
21	C90204	Filter, Air Line 3/8 NPT	1
22	10607	Barb, Swivel Push-On 3/8 Hose x 3/8 MPT	2
23	C65338	Hose, Push-On 3/8" ID x 9-1/2"L	1
24	10601	Bushing, Hex 1/2 x 3/8 NPT	1
25	C65332	Valve, Unloader-Pilot-Check	1
26	C65333	Muffler/Filter 3/8 MPT	1
27	C65334	Brace, Plumbing	1
28	10689	Pipe Plug 1/2 NPT	1
29	61057	Pipe Plug 1/8 NPT	1

ILLUSTRATION 8 : AIR COMPRESSOR ASSEMBLY



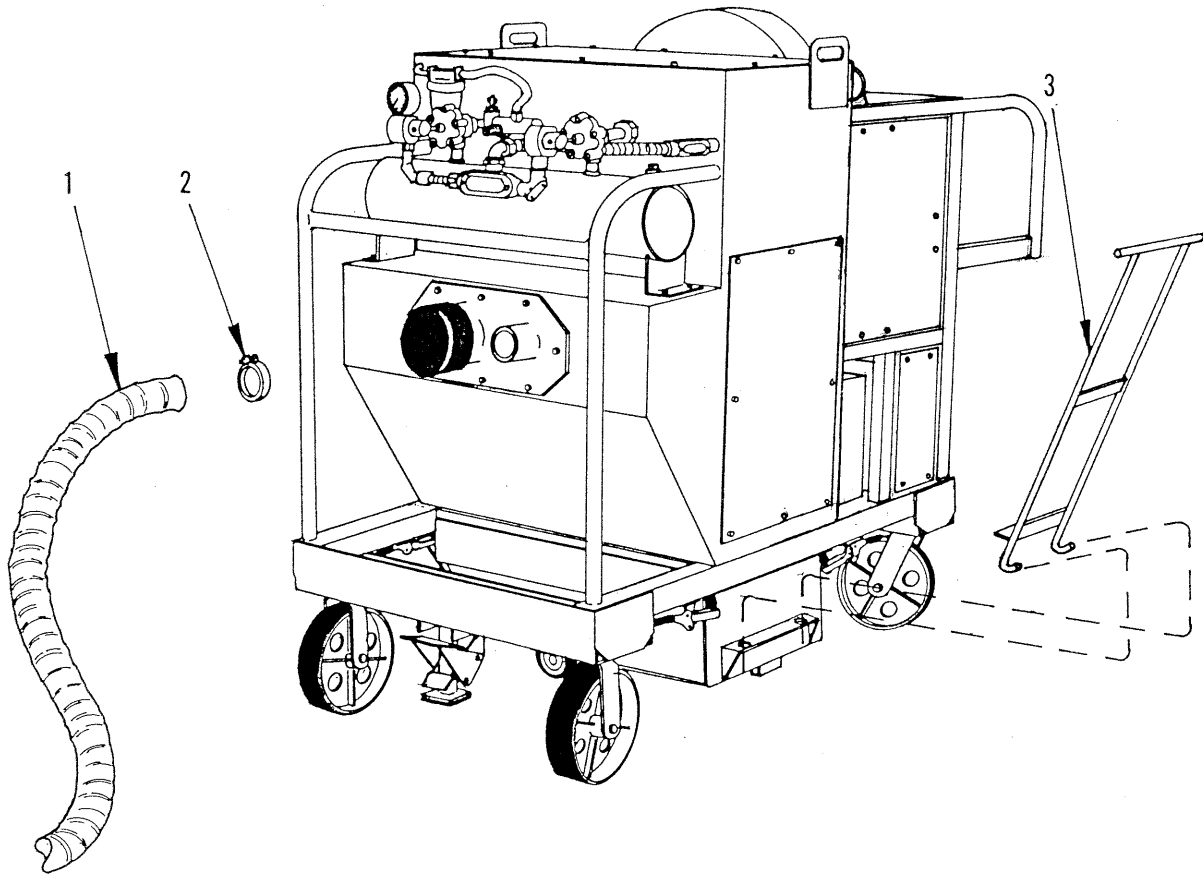
Item #	Part #	Description	Qty.
1	C65340	Compressor, Air 1 HP (Model F)	1
2	C65341	Filter Adaptor Kit	1
3	10724	Elbow, Street 1/2 NPT x 90° (Black)	1
4	10790	Conduit Locknut 1/2 NP	1
5	10734	Elbow, Street 1/2 NPT x 45° (Black)	1
6	10657	Barb, Push-On 3/8Hose x 1/4MPT	1
7	C65339	Hose, Push-On 3/8"ID x 48"L	1
8	10607	Barb, Swivel Push-On 3/8Hose x 3/8MPT	1
9	10220	Elbow, Street 3/8NPT x 90° (Brass)	1

ILLUSTRATION 9 : CLEANING CONTROL SYSTEM



Item #	Part #	Description	Qty.
1	C90214	Gauge, Magnehelic Pressure	1
2	-----	Screw (Included with Gauge)	3
3	C65012	Mount Brkt., Magnehelic Gauge	1
4	10315	Screw, Cap 1/4-20 x 1-1/2	2
5	10602	Washer, Flat 1/4	4
6	10038	Washer, Lock 1/4	2
7	10013	Nut 1/4-20	2
8	10772	Elbow, Street 1/8MPT x 45° Brass	4
9	10688	Fitting, Comp. 1/4Tube x 1/8MPT	4
10	C65309	Tubing, Nylon 1/4"OD x 18"	2
11	C65328	Timer Box Only (1414PHG6)	1
12	-----	Mounting Panel (Included W/ Box)	1
13	10031	Screw, Cap 1/4-20 x 1	4
14	10038	Washer, Lock 1/4	4
15	10602	Washer, Flat 1/4	4
16	C65361	Timer Board 12 VDC	1
17	-----	Hardware (Included with Board)	4
18	C65344	Conduit, Flex. 1/2"ID x 36"	1
19	C90211	Fitting, Elbow 90° Liq.Tite 1/2	2
20	40066	Connector, Strain Relief 1/2NPT x .350-.450"	1
21	10790	Conduit Locknut 1/2 NP	1

ILLUSTRATION 10 : ACCESSORIES



Item #	Part #	Description	Qty.
1	C65103	Hose, Flex 3"OD x 25 FT (Standard)	1
	C90215	Hose, Flex 5"OD x 50 FT (Optional)	1
2	10849	Clamp, Hose Adj. 2-13/16 to 3-3/4	2
	C90218	Clamp, Hose Adj. 4 to 7" (Optional)	2
3	C90278	Pan Handle	1

ILLUSTRATION 11 : WIRING SCHEMATIC

