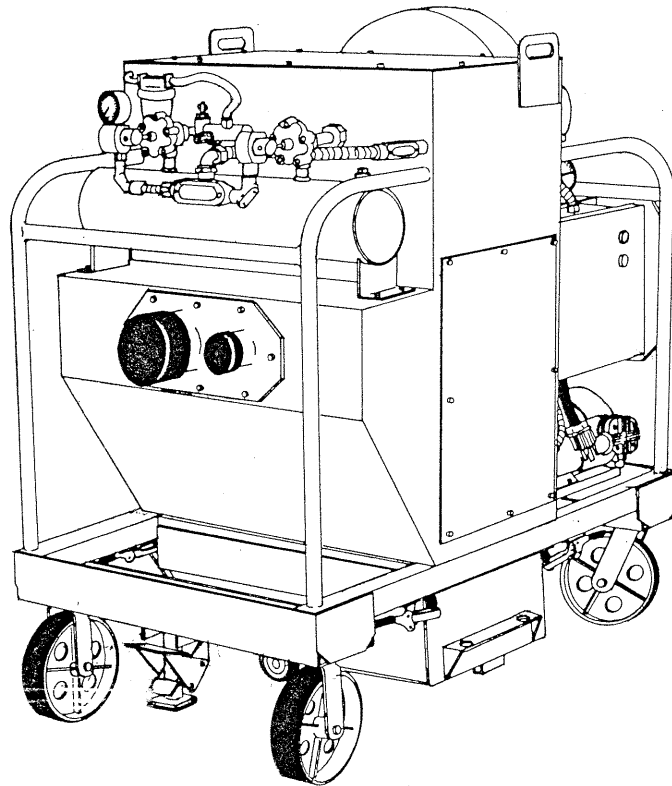


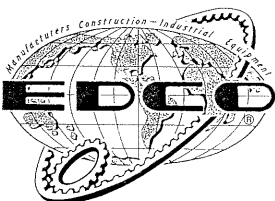
REVISED JUNE 1, 1993

# DUST COLLECTOR VACUUM

## PARTS LIST MANUAL



MODEL VAC-150-E



**EQUIPMENT DEVELOPMENT COMPANY, INC.**

100 THOMAS JOHNSON DRIVE, FREDERICK, MARYLAND 21702-4305 USA

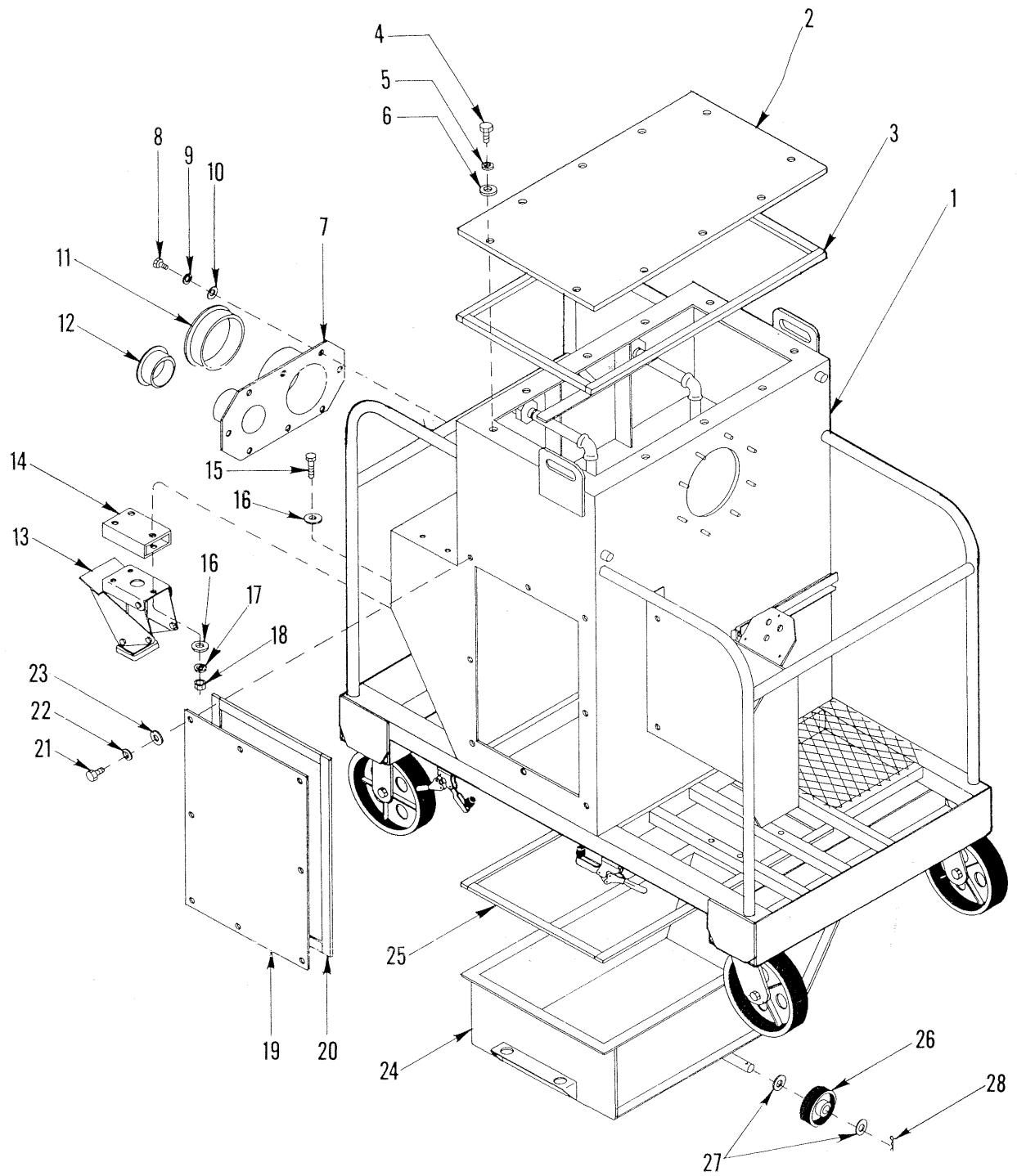
301-663-1600

TOLL FREE 1-800-638-3326

FAX 301-663-1607

PRINTED IN U.S.A.

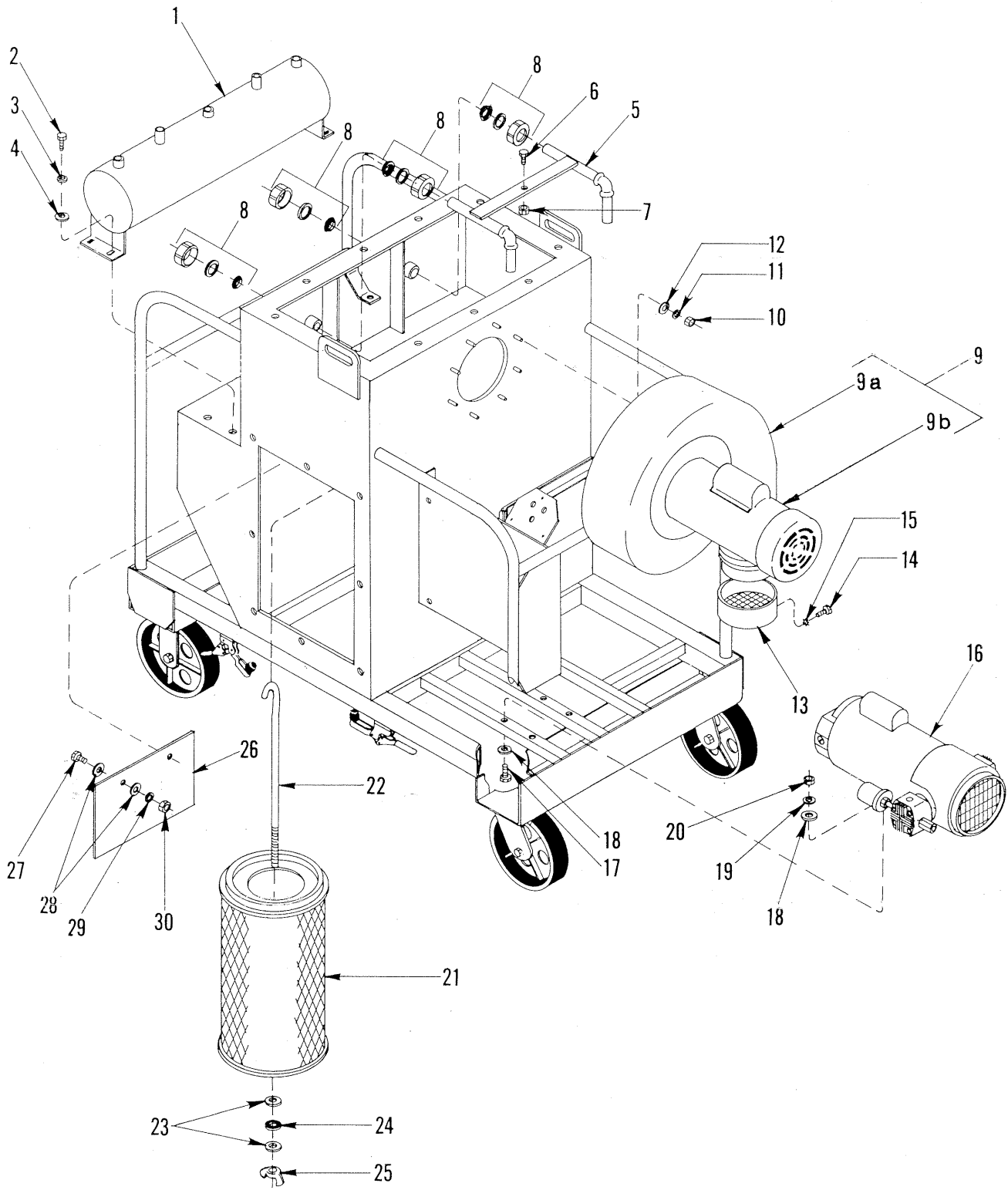
# ILLUSTRATION 1: MAIN ASSEMBLY



## PARTS LISTING - ILLUSTRATION 1: MAIN ASSEMBLY

Item #	Part #	Description	Qty.
1	C65001	Main Frame	1
2	C65002	Door, Top Access 16 x 27-3/4	1
3		Seal Strips	
	C65019	1/2"W x 25"L	2
	C65020	1/2"W x 12"L	2
4	10806	Screw, Cap 5/16-18 x 1	10
5	10801	Washer, Lock 5/16	10
6	10213	Washer, Flat 5/16	10
7	C65140	Intake Plate, 3" & 5" Ports	1
8	10806	Screw, Cap 5/16-18 x 1	8
9	10801	Washer, Lock 5/16	8
10	10213	Washer, Flat 5/16	8
11	C90244	Caplug 5"	1
12	64030	Caplug 3"	1
13	68036	Kick-Stand Assembly	1
14	C65021	Kick-Stand Spacer	1
15	10010	Screw, Cap 5/16-18 x 2-1/2	3
16	10213	Washer, Flat 5/16	6
17	10801	Washer, Lock 5/16	3
18	10054	Nut 5/16-18	3
19	C65016	Door, Side Access 14-1/2 x 20-1/2	1
20		Seal Strips	
	C65006	1/2"W x 19"L	2
	C65007	1/2"W x 12"L	2
21	10806	Screw, Cap 5/16-18 x 1	8
22	10801	Washer, Lock 5/16	8
23	10213	Washer, Flat 5/16	8
24	C65017	Pan, Dust Collector	1
25		Seal Strips	
	C65003	1/2"W x 27"L	2
	C65004	1/2"W x 15-1/2"L	2
26	52001	Wheel 4"OD x 1-1/2 x 3/4"Brg.	2
27	10009	Washer, Flat 3/4	4
28	10306	Pin, Cotter 3/16 x 1-1/2	2

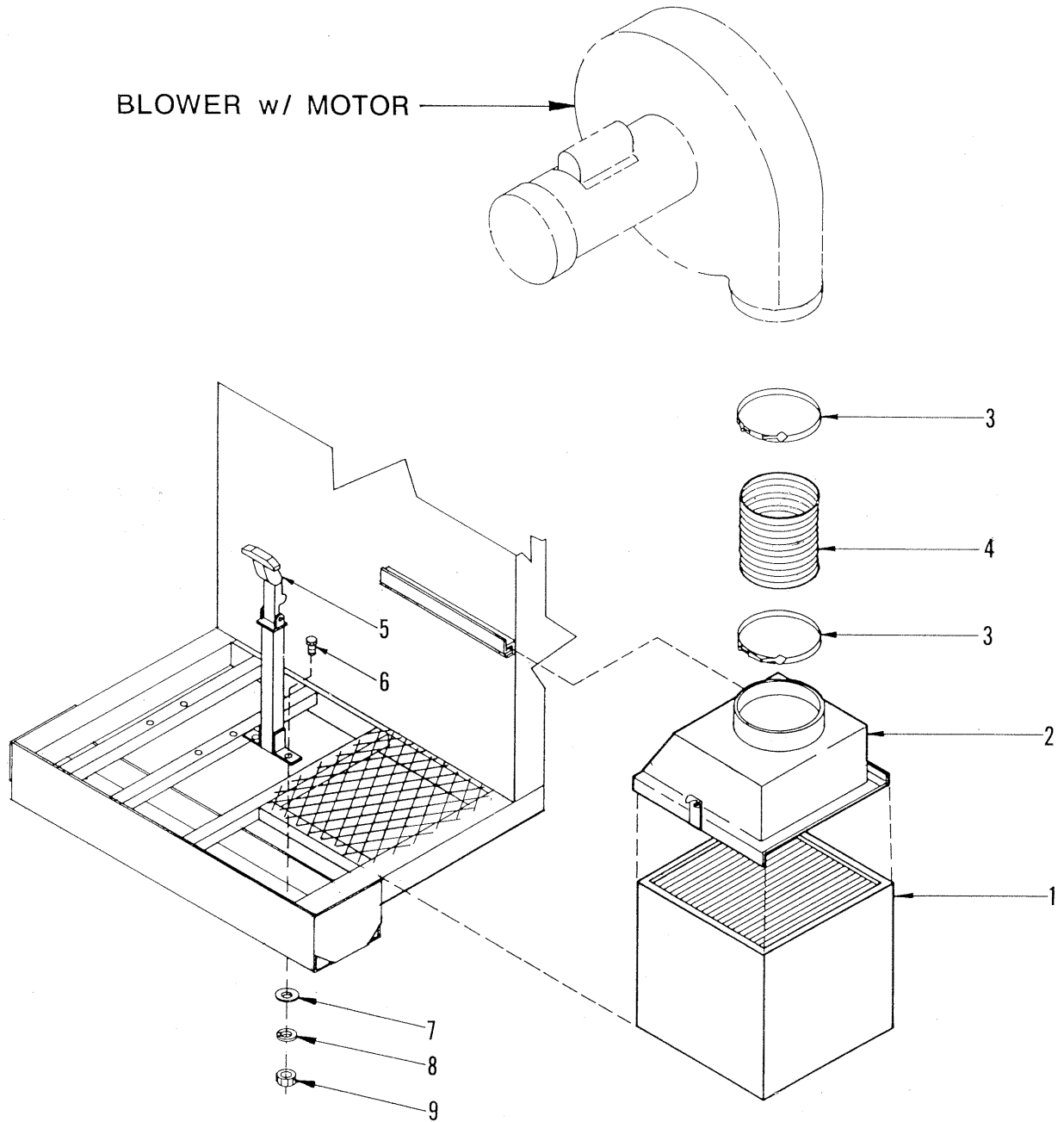
# ILLUSTRATION 2 : AIR SYSTEM GROUPING



PARTS LISTING - ILLUSTRATION 2: AIR SYSTEM GROUPING

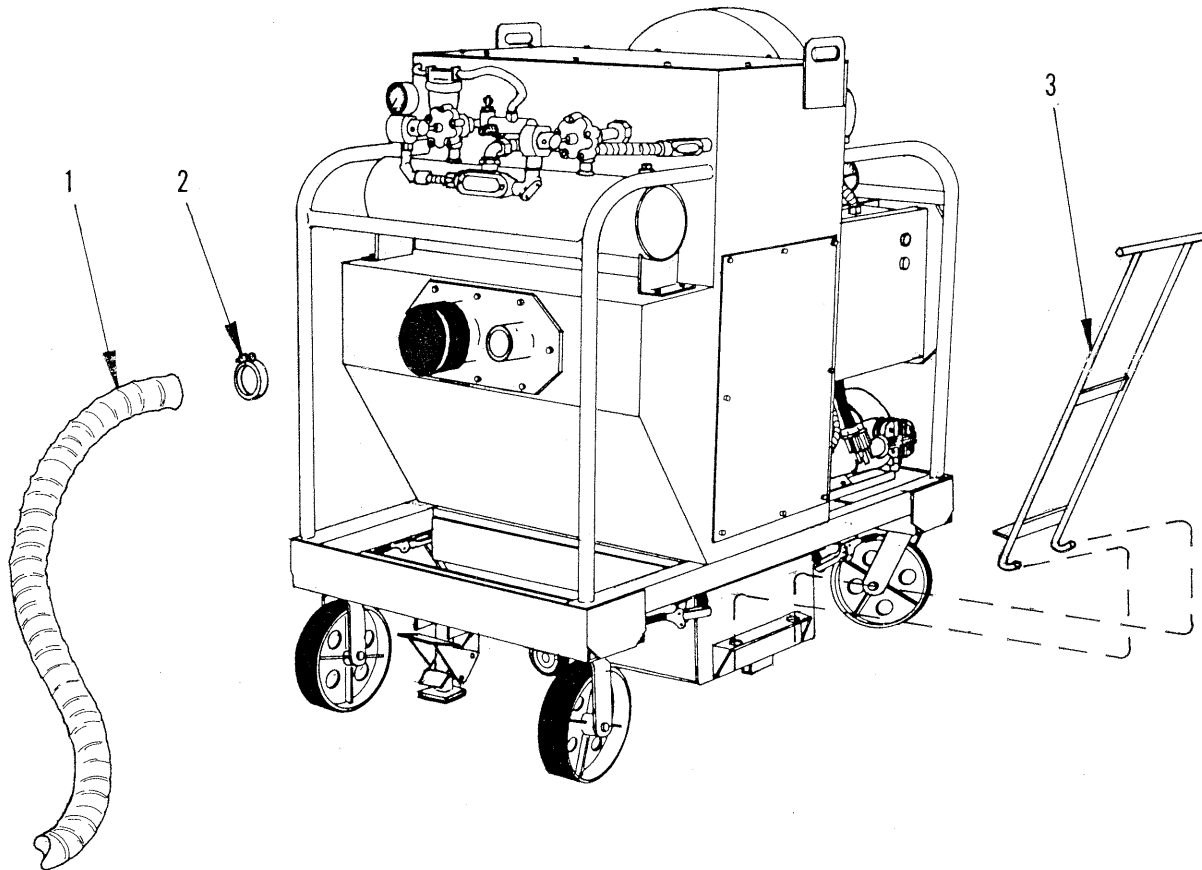
Item #	Part #	Description	Qty.
1	C65111	Tank, Air (See Illus. 5 for Plumbing Detail)	1
2	10806	Screw, Cap 5/16-18 x 1	4
3	10801	Washer, Lock 5/16	4
4	10213	Washer, Flat 5/16	4
5	C65022	Pipe Assembly, Filter Blow-out	1
6	10806	Screw, Cap 5/16-18 x 1	1
7	10807	Nut, Lock 5/16-18	1
8	-----	Nut & Bushing, Repair Coupling (Coupling welded to Chamber)	
9		Blower W/ Motor (See Illus. 6 - Item #9)	1
	C65110	2-HP/1-PH, 230V	
	C65151	3-HP/3-PH, 230/460V	
9A	C65320	Blower, Pressure AF-12	1
9B		Motor, C-Face	1
	C65128	2-HP/1-PH, 230V	
	C65152	3-HP/3-PH, 230/460V	
10	10014	Nut 3/8-24	8
11	10811	Washer, Lock 3/8	8
12	10025	Washer, Flat 3/8	8
13	C65135	Guard, Blower	1
14	10828	Screw, Self-Tap 10-24 x 1/2	1
15	10455	Washer, Ext. Tooth #10	1
16		Compressor, Air (See Illus. 6 - Item #1)	1
	C65180	3/4-HP/1-PH, 230V	
	C65181	3/4-HP/3-PH, 230/460V	
17	10204	Screw, Cap 5/16-18 x 1-3/4	4
18	10213	Washer, Flat 5/16	8
19	10801	Washer, Lock 5/16	4
20	10054	Nut 5/16-18	4
21	C90225	Filter, 9 x 18 Moisture Resistant	2
22	C65108	Rod, Filter Hanger	2
23	10009	Washer, Flat 3/4	4
24	79035	Bushing, Rubber 5/8"ID x 1/4"Thk	2
25	10900	Nut, Wing 1/2-13	2
26	C65009	Baffle Plate 12 x 8	1
27	10031	Screw, Cap 1/4-20 x 1	2
28	10602	Washer, Flat 1/4	4
29	10038	Washer, Lock 1/4	2
30	10013	Nut 1/4-20	2

# ILLUSTRATION 3 : OPTIONAL HEPA EXHAUST FILTER ASSEMBLY



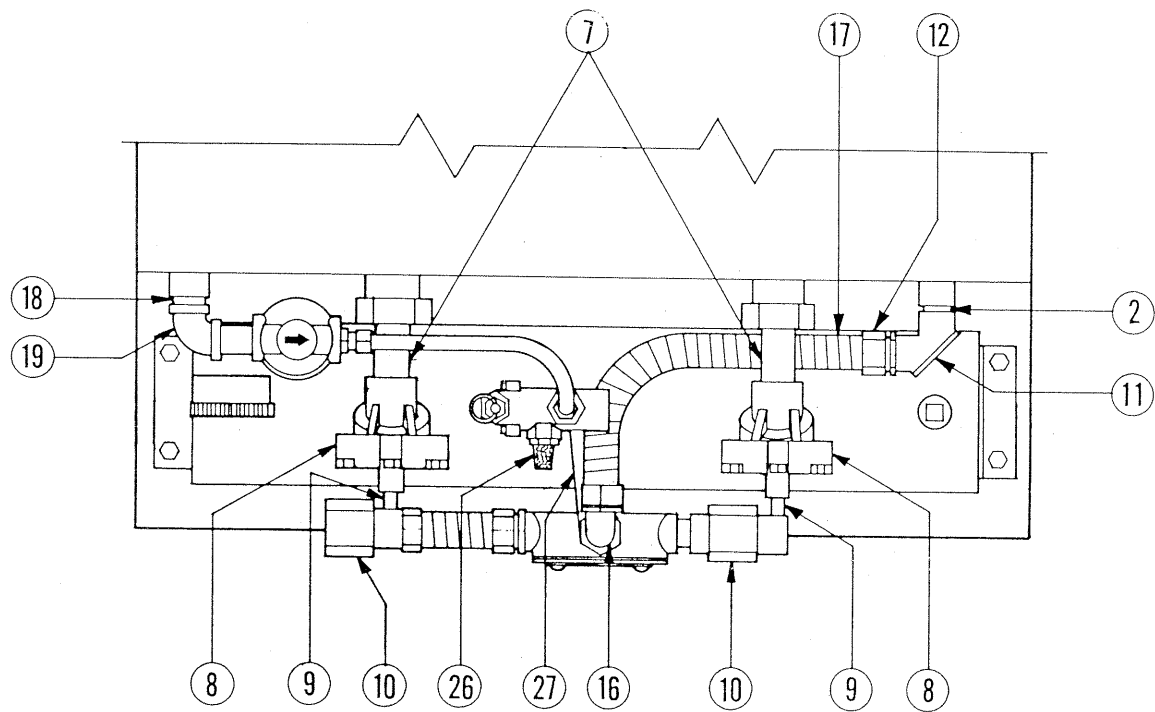
Item #	Part #	Description	Qty.
2-8	C65150	HEPA Exhaust Filter Assembly (Includes Items 2 thru 8)	
1	C90250	Filter, HEPA 12"x12"x12"	1
2	C90252	Housing, HEPA Upper	1
	C90253	Seal, HEPA Upper Housing	1
3	C90218	Clamp, Hose Adj. 4 to 7"	2
4	C65010	Hose, Flex 6"ID x 7"L	1
5	C65011	Post W/ Latch, HEPA	1
6	10018	Screw, Cap 1/4-20 x 3/4	2
7	10602	Washer, Flat 1/4	2
8	10013	Nut 1/4-20	2

## ILLUSTRATION 4 : ACCESSORIES

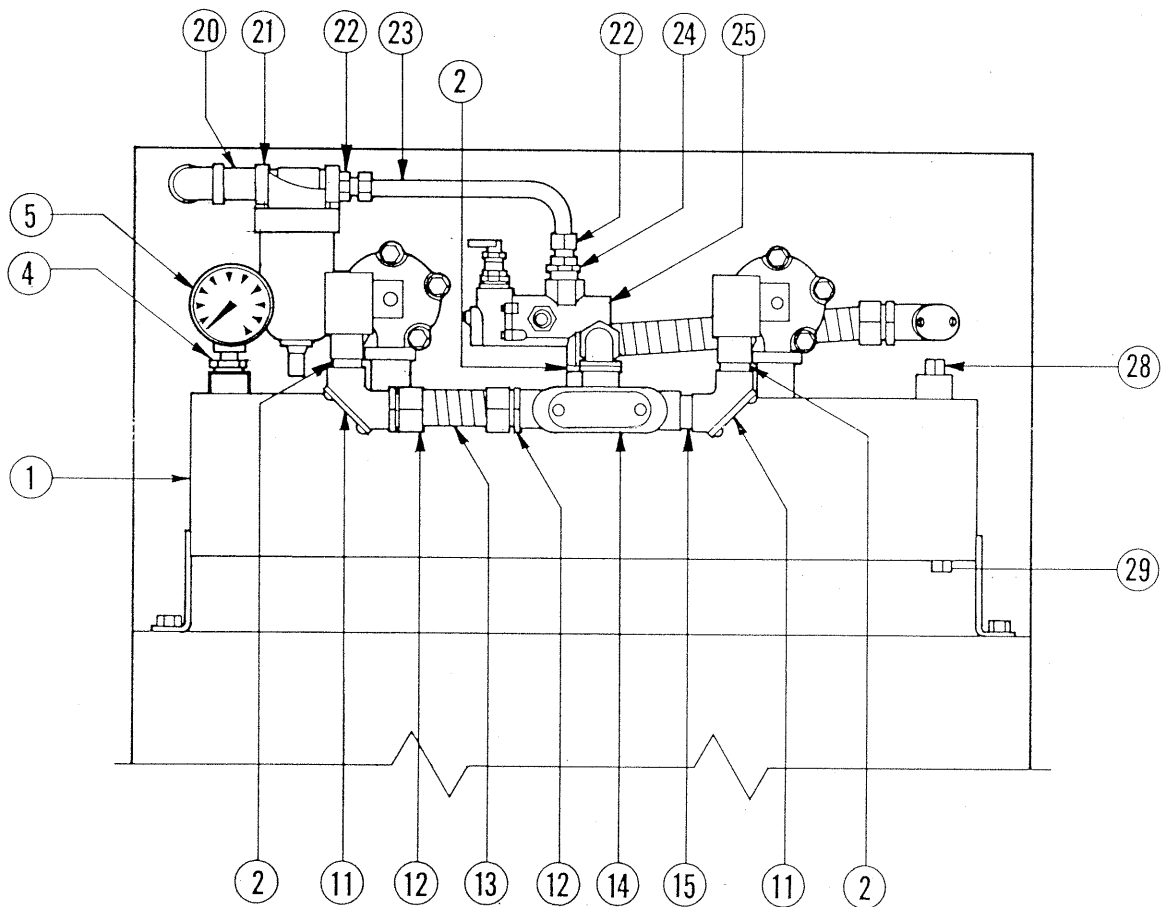


Item #	Part #	Description	Qty.
1	C65103	Hose, Flex 3"OD x 25 FT (Standard)	1
	C90215	Hose, Flex 5"OD x 50 FT (Optional)	1
2	10849	Clamp, Hose Adj. 2-13/16 to 3-3/4	2
	C90218	Clamp, Hose Adj. 4 to 7"(Optional)	2
3	C90278	Pan Handle	1

# ILLUSTRATION 5 : AIR TANK PLUMBING ASSEMBLY



TOP VIEW



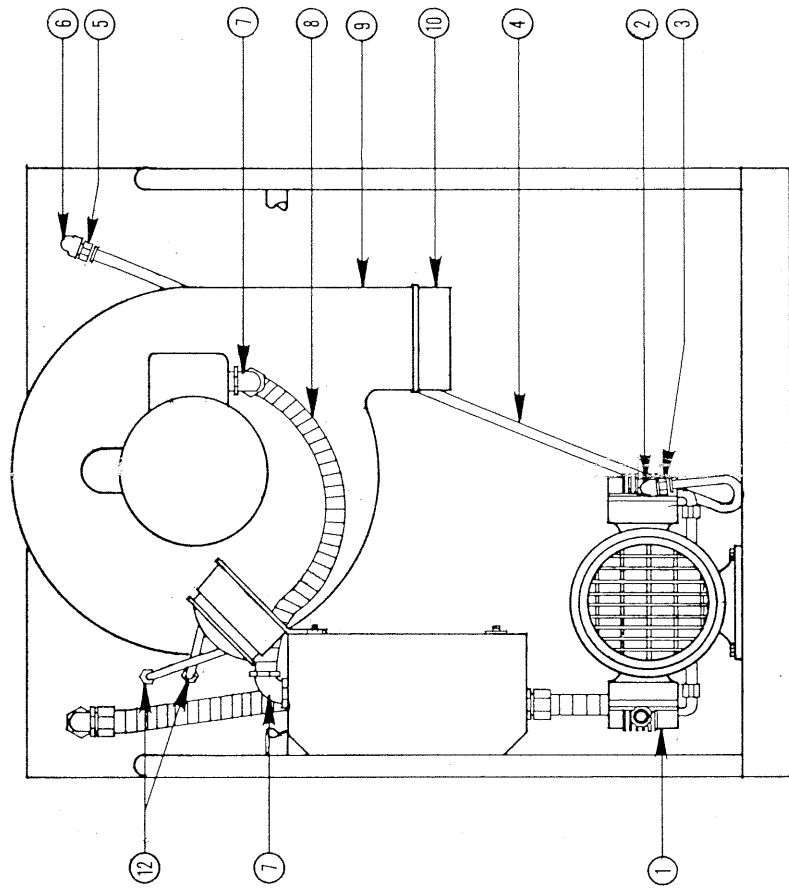
FRONT VIEW



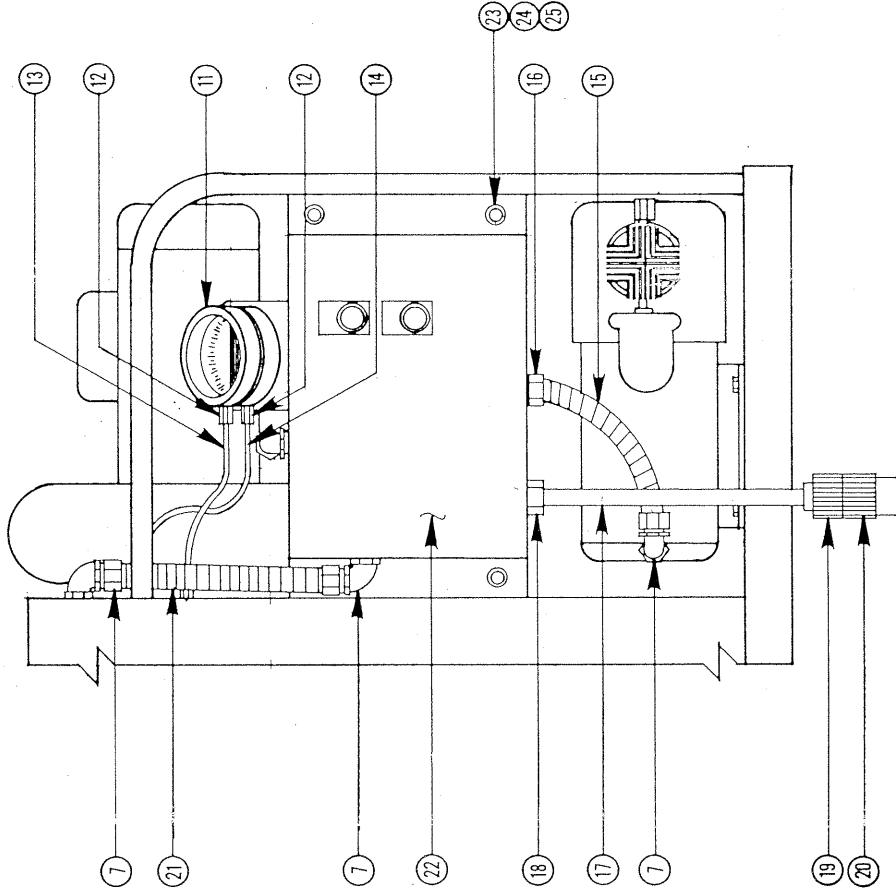
## PARTS LISTING - ILLUSTRATION 5: AIR TANK PLUMBING ASSEMBLY

Item #	Part #	Description	Qty.
1	C65111	Tank, Air (See Illus. 2 - Item #1)	1
2	10728	Pipe Nipple, Close 1/2 NPT	4
3	-----	Part Discontinued	
4	10746	Bushing, Hex 1/2 x 1/4 NPT	1
5	C90207	Gauge, Air Pressure	1
6	-----	Part Discontinued	
7	C65109	Pipe 3/4 NPT (1 End) x 3"L	2
8	C65107	Valve, Air 3/4 NPT	2
9	10798	Pipe Nipple 1/8 NPT x 1-1/2"L	2
10	C90208	Solenoid, Air 120 VAC	2
11	C90212	Elbow, 1/2 Pull W/ Cover	3
12	C90210	Fitting, Straight Liq. Tite 1/2	3
13	C90263	Conduit, Flex 1/2 I.D. x 3-1/2	1
14	C90213	Outlet Body W/ Cover 1/2"	1
15	10796	Pipe Nipple 1/2 NPT x 1-1/2"L	1
16	C90211	Fitting, Elbow 90° Liq. Tite 1/2"	1
17	C65336	Conduit Flex 1/2 I.D. x 13	1
18	10761	Pipe Nipple 3/8 NPT x 1-1/2	1
19	10791	Elbow, Female 3/8 NPT x 90°	1
20	10787	Pipe Nipple 3/8 NPT x 2	1
21	C90204	Filter, Air Line 3/8 NPT	1
22	10607	Barb, Swivel Push-On 3/8 Hose x 3/8 MPT	2
23	C65338	Hose, Push-On 3/8" ID x 9-1/2"L	1
24	10601	Bushing, Hex 1/2 x 3/8 NPT	1
25	C65332	Valve, Unloader-Pilot-Check	1
26	C65333	Muffler/Filter 3/8 MPT	1
27	C65334	Brace, Plumbing	1
28	10689	Pipe Plug 1/2 NPT	1
29	61057	Pipe Plug 1/8 NPT	1

ILLUSTRATION 6 : CLEANING CONTROL SYSTEM



REAR VIEW



SIDE VIEW

## PARTS LISTING - ILLUSTRATION 6: CLEANING CONTROL SYSTEM

Item #	Part #	Description	Qty.
1		Compressor, Air (See Illus. 2 - Item #16)	1
	C65180	3/4-HP/1-PH, 230V	
	C65181	3/4-HP/3-PH, 230/460V	
2	10730	Elbow, Street 1/4 NPT x 90°	1
3	10657	Barb, Push-On 3/8 Hose x 1/4 MPT	1
4	C65132	Hose, Push-On 3/8 I.D. x 56"	1
5	10607	Barb, Swivel Push-On 3/8 Hose x 3/8 MPT	1
6	10220	Elbow, Street 3/8 NPT x 90°	1
7	C90211	Fitting, Elbow 90° Liq.Tite 1/2"	5
8	C65133	Conduit, Flex 1/2 I.D. x 18"	1
9		Blower W/ Motor (See Illus. 2 - Item #9)	1
	C65110	2-HP/1-PH, 230V	
	C65151	3-HP/3-PH, 230/460V	
10	C65135	Guard, Blower (See Illus. 2 - Item #13)	1
11	C90214	Gauge, Magnehelic Pressure	1
12	10688	Fitting, Comp. 1/4 Tube x 1/8 MPT	4
13	C65136	Tubing, Nylon 1/4 O.D. x 14"	1
14	C65137	Tubing, Nylon 1/4 O.D. x 12"	1
15	C65138	Conduit, Flex 1/2 I.D. x 9-1/2"	1
16	C90210	Fitting, Straight Liq.Tite 1/2"	1
17		Wire Harness	1
	C65131	10/3 x 24" (1-Phase Units)	
	C65161	12/4 x 24" (3-Phase Units)	
18	10605	Connector, Strain Relief 3/4 NPT x .650-.750" Range	1
19		Plug	1
	40037	20A/250V	
	16114	20A/480V	
20		Plug Connector	1
	40000	20A/250V	
	16115	20A/480V	
21	C65139	Conduit, Flex 1/2 I.D. x 10"	1
22		Starter/Timer	1
	C65250	230 VAC	
	C65252	460 VAC	
23	10031	Screw, Cap 1/4-20 x 1	4
24	10038	Washer, Lock 1/4	4
25	10602	Washer, Flat 1/4	4