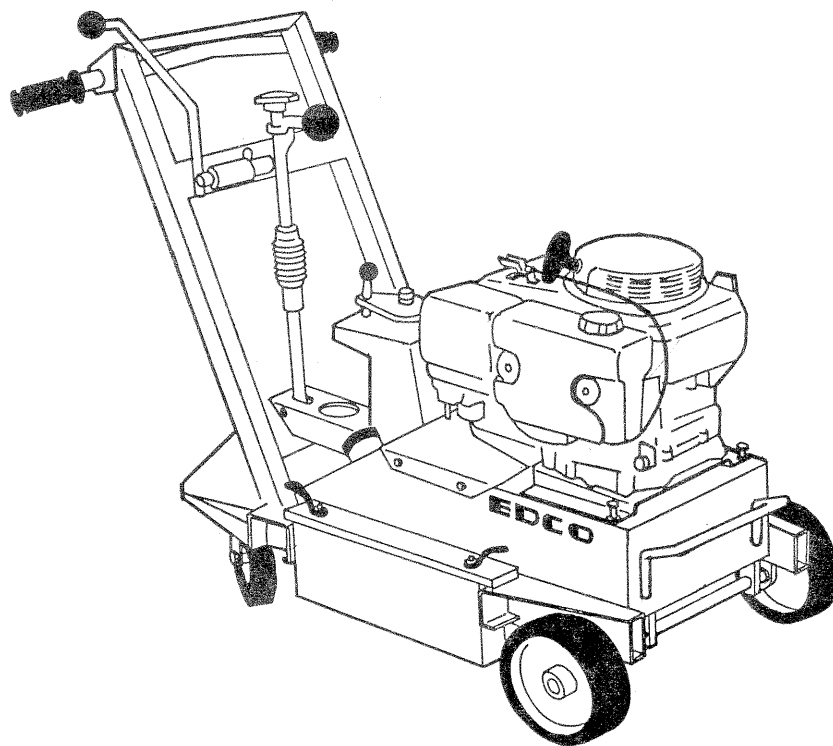


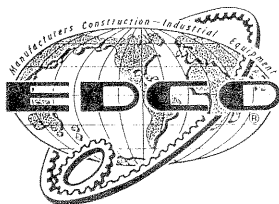
REVISED APRIL 1, 1993

# TRAFFIC LINE REMOVER

INSTRUCTIONS AND PARTS LIST MANUAL



MODEL TLR-7-A  
(SERIAL NO. 1398 AND UP)

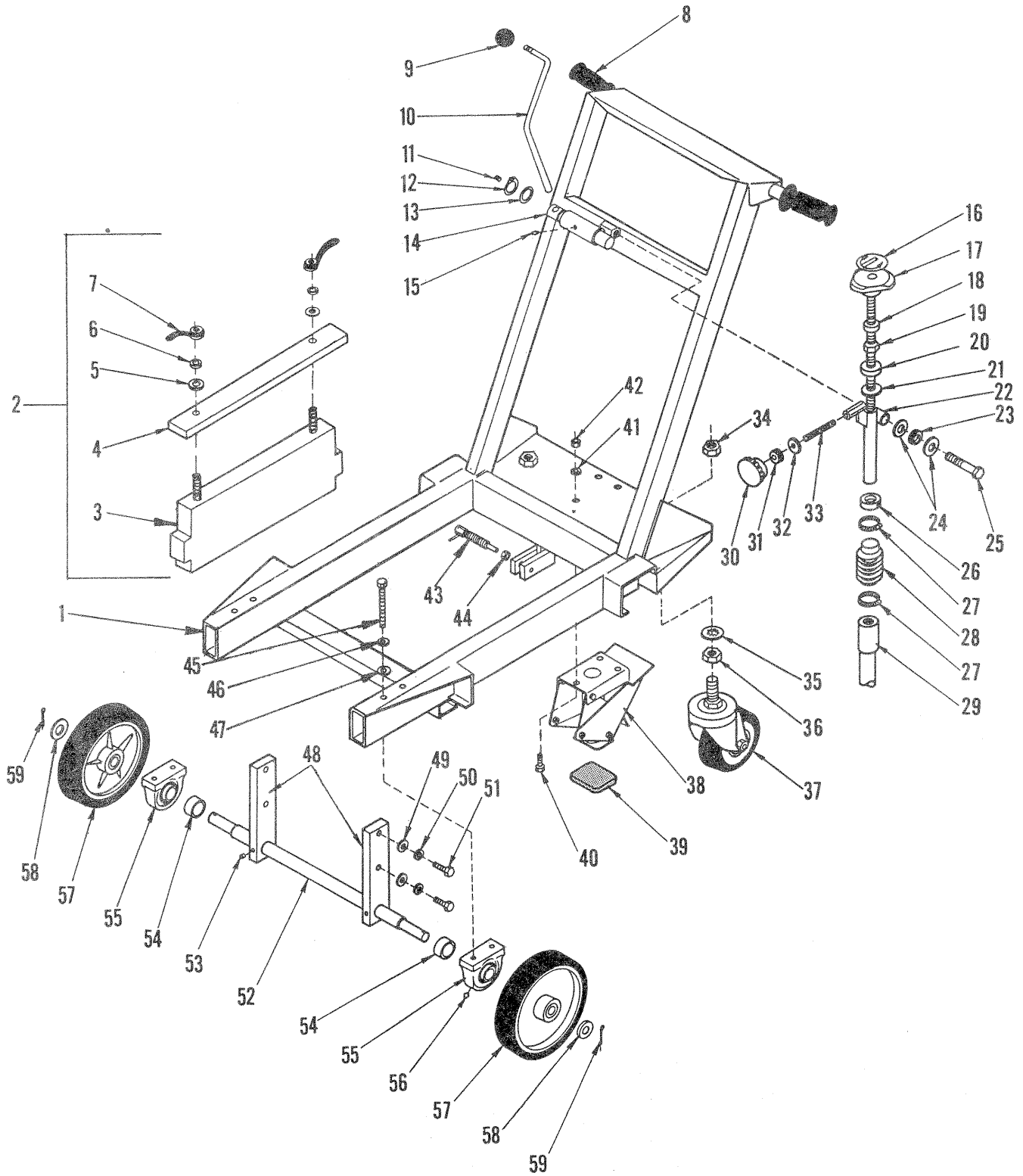


**EQUIPMENT DEVELOPMENT COMPANY, INC.**

100 THOMAS JOHNSON DRIVE, FREDERICK, MARYLAND 21702-4305 USA  
301-663-1600 TOLL FREE 1-800-638-3326 FAX 301-663-1607

PRINTED IN U.S.A.

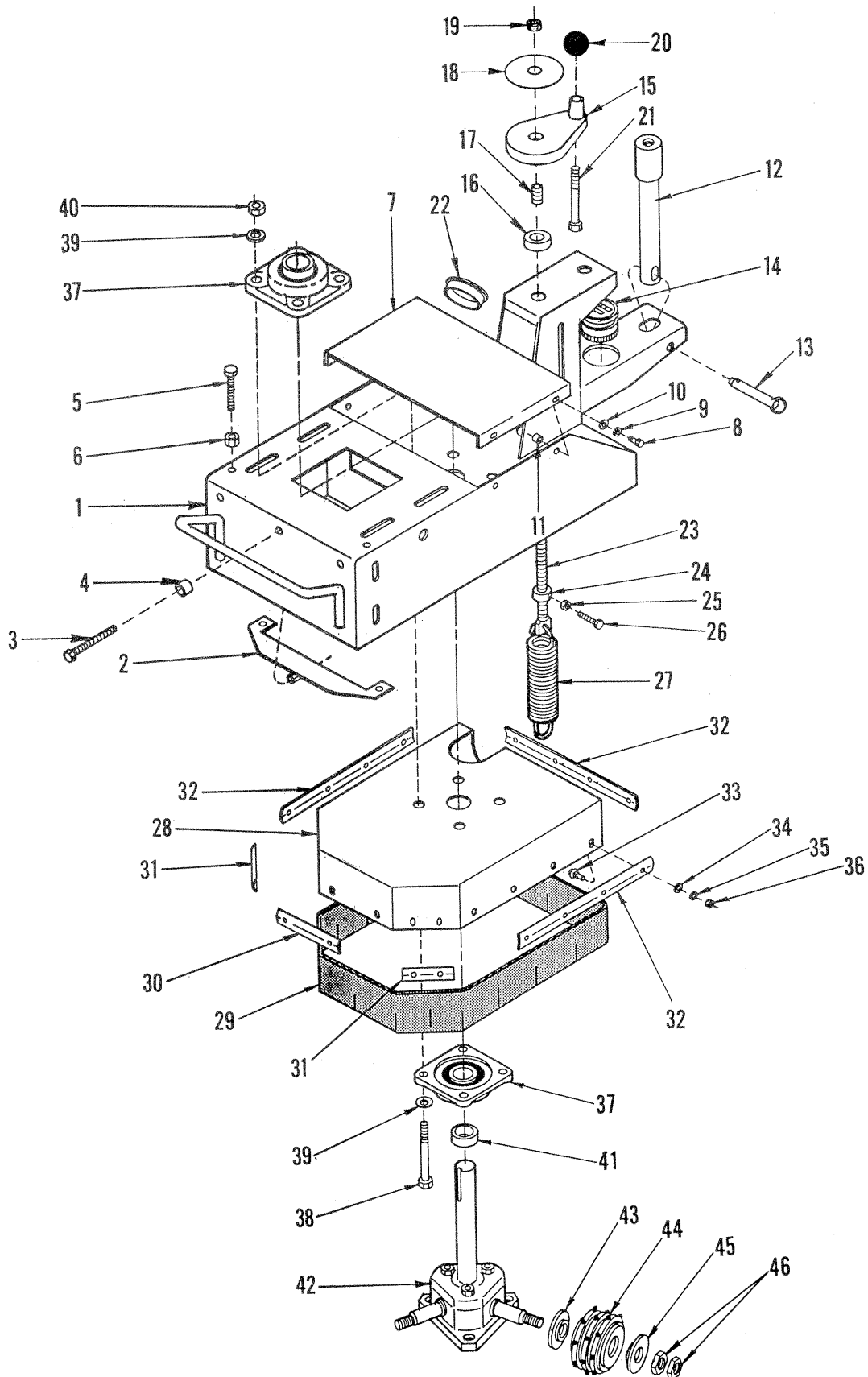
# ILLUSTRATION 1: OUTER FRAME ASSEMBLY



## PARTS LIST - ILLUSTRATION 1: OUTER FRAME ASSEMBLY

Item #	Part #	Description	Qty.
1	68022	Outer Frame w/ Handle	1
2	68060	Weight Unit (Items 3 thru 7)	2
3	68037	Weight Block	2
4	68038	Weight Bar	2
5	10312	Washer, Flat 1/2	4
6	10045	Washer, Lock 1/2	4
7	68040	Tailnut 1/2-13	4
8	61108	Grip Hand 1" Ribbed	2
9	14023	Knob, Ball 1/2-13 x 1-3/8Rd.	1
10	68024	Lever, Cam (Welded to Cam-Item #14)	1
11	10052	Screw, Set 5/16-18 x 3/8	1
12	10906	Retaining Ring, Ext. 1"	1
13	3629	Spacer, Copper Thrust 1"ID	1
14	68023	Cam Assembly	1
15	10953	Fitting, Grease 1/8 NPT	1
16	80007	Decal, "Cut Control" (Small)	1
17	68041	Knob, Control w/ 5/8-8 x 16" Rod	1
18	10096	Collar, Locking 5/8	1
19	50008	Nut 5/8-8 Acme	1
20	85005	Bearing, Ball 5/8"ID Thrust	1
21	10073	Washer, Flat 5/8	1
22	68042	Support, Upper Control Linkage	1
23	79035	Bushing, Rubber 5/8"ID x 1/4"THK	1
24	10073	Washer, Flat 5/8	3
25	10359	Screw, Cap 5/8-11 x 3-1/4	1
26	10440	Collar, Locking 7/8	2
27	10713	Clamp, Hose Adjustable 1" to 2"	2
28	10930	Bellows 1-1/4ID x 2-3/8EL x 1-3/4RL	1
29	68043	Linkage, Lower Control (See Illus. 2 - Item #12)	1
30	10923	Knob, Fluted 3/8-16 x 2"Dia.	1
31	56018	Bushing, Rubber 3/8ID x 1/4 Thk.	1
32	10025	Washer, Flat 3/8	3
33	68051	Stud 3/8-16 x 3-1/4	1
34	68058	Nut, Nylon Lock 3/4-10	2
35	10609	Washer, Int. Tooth 3/4	2
36	10403	Nut, Jam 3/4-10	2
37	68020	Caster, Swivel 5"Wheel W/3/4-10 Stem	2
38	68036	Kick Stand Assembly	1
39	68007	Pad, Rubber (Kick Stand)	1
40	10053	Screw, Cap 5/16-18 x 3/4	3
41	10801	Washer, Lock 5/16	3
42	10054	Nut 5/16-18	3
43	68081	Plunger, Spring 5/8-11 Thd.	1
44	10046	Nut 5/8-11	1
45	10318	Screw, Cap 3/8-16 x 3-3/4	4
46	10811	Washer, Lock 3/8	4
47	10025	Washer, Flat 3/8	2
48	68046	Holder, Front Axle	4
49	10312	Washer, Flat 1/2	4
50	10045	Washer, Lock 1/2	4
51	10356	Screw, Cap 1/2-13 x 1-1/2	1
52	68045	Axle Shaft, Front	2
53	10052	Screw, Set 5/16-18 x 3/8	2
54	68047	Spacer, Front Axle	2
55	50222	Bearing, Ball 1" Tapped Block	2
56	10006	Fitting, Grease 1/8NPT x 45D	2
57	68008	Wheel, Poly 8 x 1-5/8 x 3/4Brg	2
58	10009	Washer, Flat 3/4	2
59	10306	Pin, Cotter 3/16 x 1-1/2	2

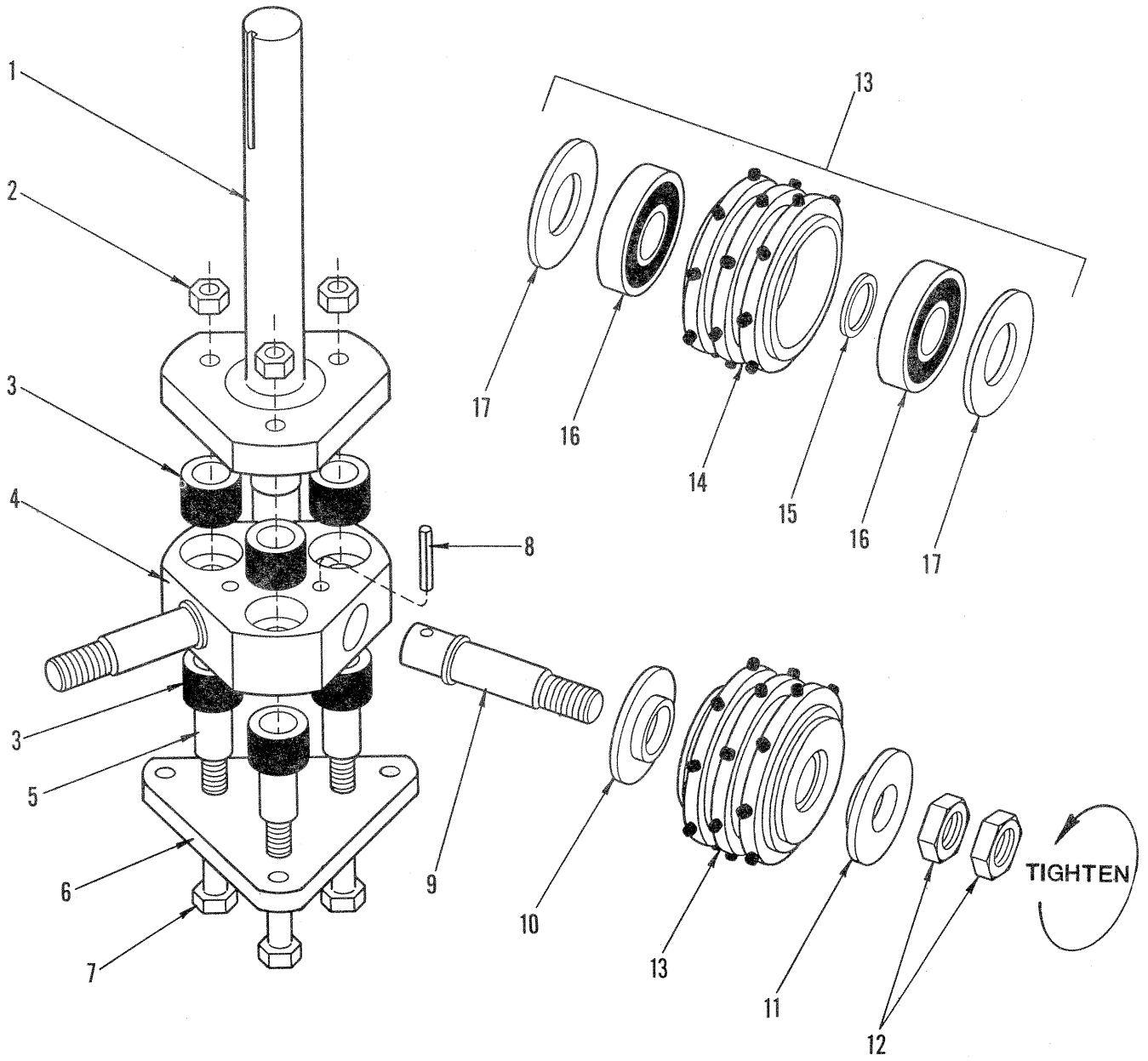
# ILLUSTRATION 2 : INNER FRAME ASSEMBLY



PARTS LISTING - ILLUSTRATION 2: INNER FRAME ASSEMBLY

Item #	Part #	Description	Qty.
1	68021	Frame, Inner	1
*2	68035	Tensioner, Engine	1
*3	52015	Screw, Cap 3/8-16 x 3-1/2 Full Thd.	1
*4	10011	Spacer, Steel 5/8"OD x 3/8"ID x 3/8	1
5	10340	Screw, Cap 1/2-13 x 3 Full Thd.	2
6	10417	Nut 1/2-13	2
7	68057	Cover, Belt	1
8	10018	Screw, Cap 1/4-20 x 3/4	4
9	10038	Washer, Lock 1/4	4
10	10602	Washer, Flat 1/4	4
11	10439	Thread-sert 1/4-20	4
12	68043	Linkage, Lower Control 5/8-8 Thd.	1
13	68082	Pin, Detent Ring 1/2 x 3-1/2	1
14	68055	Meter, Hour Vibration (Optional)	1
15	68083	Handwheel, Large W/ 7/8-9 Thd.	1
16	85005	Bearing, Ball 5/8"ID Thrust	1
17	68084	Thread Insert 7/8-9 to 5/8-11	1
18	68054	Decal, "Pressure Control"	1
19	10809	Nut, Lock 5/8-11	1
20	10104	Knob, Ball 1/2-13 x 1-7/8"Rd.	1
21	10346	Screw, Skt. Hd. 1/2-13 x 4-1/2	1
22	64030	Caplug 3"	1
23	68085	Linkage, Pressure Control 5/8-11	1
24	10096	Collar, Locking 5/8	1
25	10464	Nut 1/4-28	1
26	10385	Screw, Cap 1/4-28 x 1-1/4	1
27	41041	Spring, Ext. 1.75"OD x 8"L	1
28	68025	Guard, Cutter Head	1
29	68030	Skirt, Rubber	1
30	68028	Retainer, Skirt 5-1/2"	1
31	68029	Retainer, Skirt 3-1/4"	2
32	68026	Retainer, Skirt 12"	3
33	10412	Bolt, Carr. 1/4-20 x 1	18
34	10602	Washer, Flat 1/4	18
35	10038	Washer, Lock 1/4	18
36	10013	Nut 1/4-20	18
37	68002	Bearing, Ball 1-1/4 4-Hole Flange W/ Skwezloc	2
38	10386	Screw, Cap 1/2-13 x 4-1/2	4
39	10312	Washer, Flat 1/2	8
40	10407	Nut, Lock 1/2-13	4
41	68019	Spacer, Rotary Head Main Shaft 1-1/2"OD x 1-1/4"ID x 5/8"L	1
42	68068	Spider Assembly, Rotary Head (See Illus. 3 for breakdown)	1
43	68015	Flange, Rotary Cutter Inner	3
44		Tri-cut Carbide Assembly (Set of 3)	1-Set
	26010	TR3-24 (24 Carbide Pins / Cutter)	
	26020	TR3-48 (48 Carbide Pins / Cutter)	
45	68016	Flange, Rotary Cutter Outer	3
46	10445	Nut, Jam 7/8-9 L.H.	6

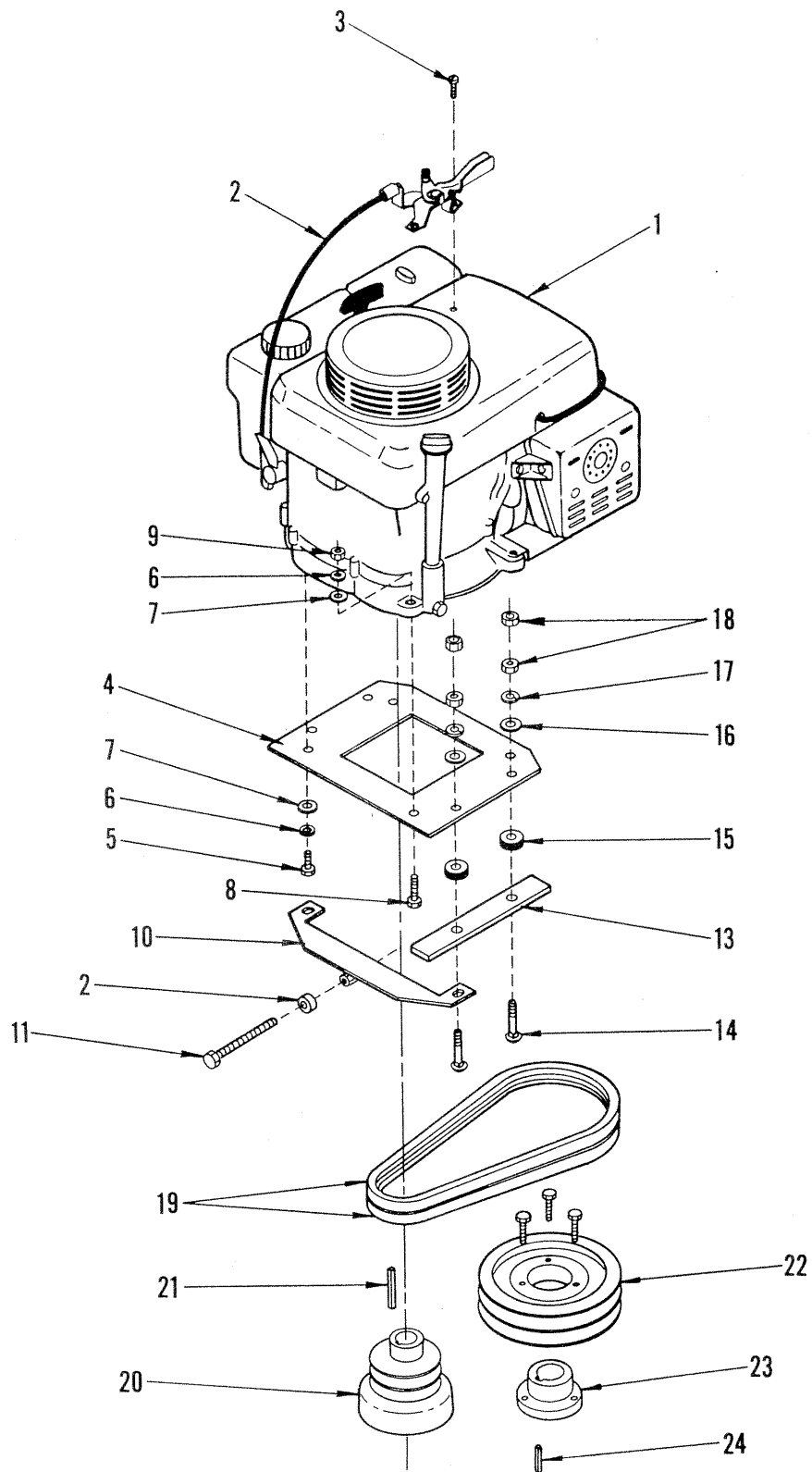
# ILLUSTRATION 3 : ROTARY CUTTER HEAD ASSEMBLY



PARTS LISTING - ILLUSTRATION 3: ROTARY CUTTER HEAD ASSEMBLY

Item #	Part#	Description	Qty.
1-9	68068	Spider Assembly, Rotary Head (Includes Items 1 thru 9)	
1	68011	Shaft And Flange Assembly, Rotary	1
2	10205	Nut, Lock 1/2-20	3
3	68001	Bushing, Rubber 1-1/4"OD x 3/4"ID x 7/8"THK	6
4	68012	Hub, Rotary Head	1
5	68018	Sleeve, Rubber Bushing	3
6	68013	Flange, Rotary Cutter Head Base	1
7	10370	Screw, Cap 1/2-20 x 3-1/4 (Grade 8)	3
8	10126	Pin, Roll 5/16 x 1-1/2	3
9	68014	Shaft, Rotary Cutter	3
10	68015	Flange, Rotary Cutter Inner	3
11	68016	Flange, Rotary Cutter Outer	3
12	10445	Nut, Jam 7/8-9 L.H.	6
13		Tri-cut Carbide Assembly (Set of 3)	1-Set
	26010	TR3-24 (24 Carbide Pins / Cutter)	
	26020	TR3-48 (48 Carbide Pins / Cutter)	
14		Cutter, Rotary	1ea.
	68048	Cutter Only W/ 24 Carbide Pins	
	68088	Cutter Only W/ 48 Carbide Pins	
15	68017	Spacer, Rotary Cutter Bearing 1"ID x 1-1/4"OD x 5/32"THK	1ea.
16	68004	Bearing, Ball Radial 25mmID x 62mmOD x 17mm	2ea.
17	68006	Seal, Felt 2-1/2OD x 1-1/4ID x 3/16	2ea.

# ILLUSTRATION 4 : ENGINE AND BELT DRIVE ASSEMBLY





PARTS LISTING - ILLUSTRATION 4: ENGINE & BELT DRIVE ASSEMBLY

Item #	Part #	Description	Qty.
1		Engine - Power Option	1
	76022	Briggs and Stratton 8 H.P. I/C	
	76004	Honda 11 H.P. GXV340	
	15026	Sovereign 11 H.P. WO1-340V	
2	40388	Cable, Throttle Lever Type 24"	1
3	10828	Screw, Self-Tap 10-24 x 1-1/2	2
4	68033	Mount Plate, Engine	1
5	10048	Screw, Cap 5/16-24 x 3/4	0/2
6	10801	Washer, Lock 5/16	4
7	10213	Washer, Flat 5/16	4
8	10606	Screw, Cap 5/16-18 x 1-1/4	2/4
9	10054	Nut 5/16-18	2/4
10	68035	Tensioner, Engine	1
11	52015	Screw, Cap 3/8-16 x 3-1/2 Full Thd.	1
12	10011	Spacer, Steel 3/8"ID x 3/8"W	1
13	68034	Spacer, Engine Mount	2
14	10056	Bolt, Carr. 5/16-18 x 2	4
15	10034	Bushing, Rubber 1"OD x 3/8"ID x 5/8	4
16	10213	Washer, Flat 5/16	4
17	10801	Washer, Lock 5/16	4
18	10054	Nut 5/16-18	8
19	10251	Belt BP-34	2
20	76024	Clutch, Centrifugal 3.5"OD x 2Gr. x 1"Bore	1
21	-----	Key 1/4"Sq. (Included W/ Engine)	1
22	75010	Sheave 6.9"OD x 2Gr.B x SDS	1
23	10064	Bushing, Sheave SDS x 1-1/4"Bore	1
24	10305	Key 1/4"Sq. x 1-1/4	1