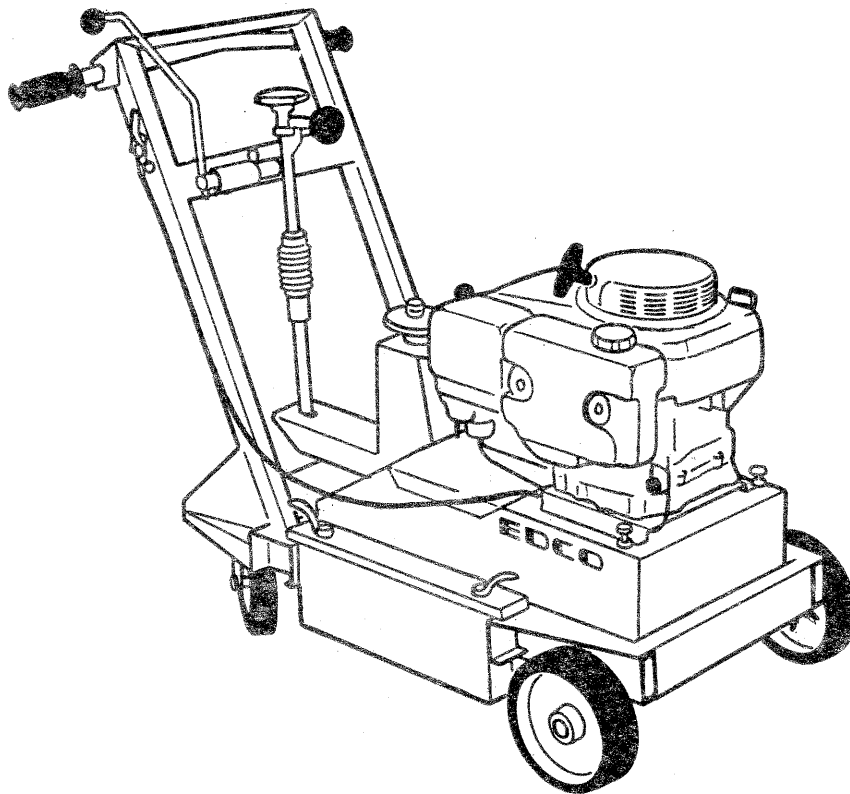


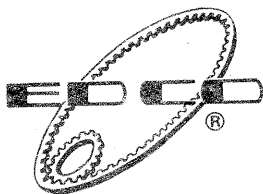
November 1, 1990

TRAFFIC LINE REMOVER

INSTRUCTIONS AND PARTS MANUAL



Model TLR-7



EQUIPMENT DEVELOPMENT COMPANY, INC.

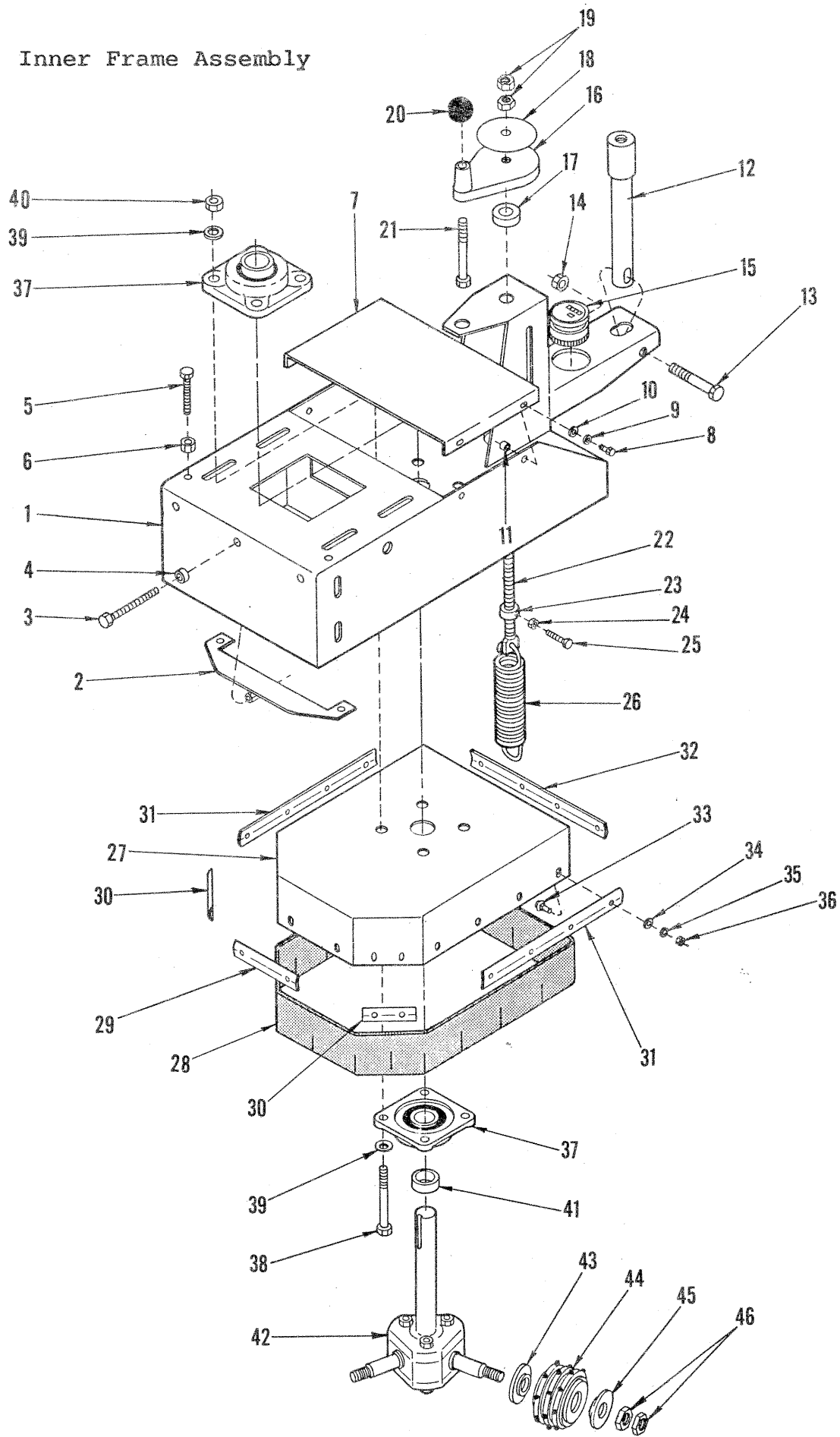
100 THOMAS JOHNSON DRIVE, FREDERICK, MARYLAND 21702-4305 USA
301-663-1600 TOLL FREE 1-800-638-3326 FAX 301-663-1607

Printed in U.S.A.

Parts List-Fig. 1: Outer Frame Assembly

Item #	Part #	Qty.	Description
1.	68022	1	Outer Frame w/Handle
2.	68037	2	Weight
3.	68039	4	Stud 1/2-13 x 3-1/2
4.	68038	2	Weight Bar
5.	10312	4	Washer, Flat 1/2
6.	10045	4	Washer, Lock 1/2
7.	68040	4	Tailnut 1/2-13
8.	61108	2	Grip, Hand 1" Ribbed
9.	14023	1	Knob, Ball 1/2-13 x 1-3/8RD.
10.	68024	1	Lever, Cam
11.	10052	1	Screw, Set 5/16-18 x 3/8
12.	10906	1	Snap Ring, Ext. 1"
13.	3629	1	Spacer, Copper Thrust 1"ID x 1-1/4
14.	68023	1	Cam Assembly
15.	10953	1	Fitting, Grease 1/8 NPT
16.	80007	1	Decal, "Cut Control" (Small)
17.	68041	1	Knob, Control w/5/8-8 x 16" Rod
18.	10096	1	Collar, Locking 5/8
19.	50008	1	Nut 5/8-8 Acme
20.	85005	1	Bearing, Ball 5/8ID x 1-1/2"OD Thrust
21.	10073	1	Washer, Flat 5/8
22.	68042	1	Support, Upper Control Linkage
23.	79035	1	Bushing, Rubber 5/8ID
24.	10073	2	Washer, Flat 5/8
25.	10359	1	Screw, Cap 5/8-11 x 3-1/4
26.	10440	2	Collar, Locking 7/8
27.	10713	2	Clamp, Hose Adjustable 1" to 2"
28.	10930	1	Bellows 1-1/4ID x 2-3/8EL x 1-3/4RL
29.	68043	1	Linkage, Lower Control (See Fig.2 Item #12)
30.	10923	1	Knob, Fluted 3/8-16 x 2"Dia
31.	56018	1	Bushing, Rubber 3/8ID x 1/4 Thk.
32.	10025	1	Washer, Flat 3/8
33.	68051	1	Stud 3/8-16 x 3-1/4
34.	68058	2	Nut, Nylon Lock 3/4-10
35.	10609	2	Washer, Int. Tooth 3/4
36.	10403	2	Nut, Jam 3/4-10
37.	68020	2	Caster, Swivel 5" Wheel w/ 3/4-10 Stem
38.	68036	1	Kick Stand Assembly
39.	68007	1	Pad, Rubber (Kick Stand)
40.	10053	3	Screw, Cap 5/16-18 x 3/4
41.	10801	3	Washer, Lock 5/16
42.	10054	3	Nut 5/16-18
43.	10318	4	Screw, Cap 3/8-16 x 3-3/4
44.	10811	4	Washer, Lock 3/8
45.	10025	4	Washer, Flat 3/8
46.	68046	2	Holder, Front Axle
47.	10312	4	Washer, Flat 1/2
48.	10045	4	Washer, Lock 1/2
49.	10356	4	Screw, Cap 1/2-13 x 1-1/2
50.	68045	1	Axle Shaft, Front
51.	10052	2	Screw, Set 5/16-18 x 3/8
52.	68047	2	Spacer, Front Axle
53.	50222	2	Bearing, Ball 1" Tapped Block
54.	10006	2	Fitting, Grease 1/8NPT x 45D
55.	68008	2	Wheel, Poly 8 x 1-5/8 x 3/4Brg.
56.	10009	2	Washer, Flat 3/4
57.	10306	2	Pin, Cotter 3/16 x 1-1/2

Fig. 2: Inner Frame Assembly



Parts List-Fig. 2: Inner Frame Assembly

Item #	Part #	Qty.	Description
1.	68021	1	Frame, Inner
2.	68035	1	Tensioner, Engine
3.	52015	1	Screw, Cap 3/8-16 x 3-1/2 Full Thd.
4.	10011	1	Spacer, Steel 5/8OD x 3/8ID x 3/8W
5.	10340	2	Screw, Cap 1/2-13 x 3" Full Thd.
6.	10417	2	Nut 1/2-13
7.	68057	1	Cover, Belt
8.	10018	4	Screw, Cap 1/4-20 x 3/4
9.	10038	4	Washer, Lock 1/4
10.	10602	4	Washer, Flat 1/4
11.	10439	4	Nutsert 1/4-20
12.	68043	1	Linkage, Lower Control
13.	81001	1	Screw, Cap 1/2-13 x 4
14.	10407	1	Nut, Lock 1/2-13
15.	68055	1	Meter, Hour (Vibration)
16.	68053	1	Handwheel, Large w/ 5/8-8 Thd.
17.	85005	1	Bearing, Ball 5/8ID x 1-1/2OD Thrust
18.	68054	1	Decal, "Pressure Control"
19.	50008	2	Nut 5/8-8 Acme
20.	10104	1	Knob, Ball 1/2-13 x 1-7/8Rd.
21.	10346	1	Screw, Skt. Hd. Cap 1/2-13 x 4-1/2
22.	68044	1	Linkage, Pressure Control
23.	10096	1	Collar, Locking 5/8
24.	10464	1	Nut 1/4-28
25.	10385	1	Screw, Cap 1/4-28 x 1-1/4
26.	41041	1	Spring, Ext. 1.75"OD x 8" x .207Wire
27.	68025	1	Guard, Cutter Head
28.	68030	1	Skirt, Rubber
29.	68029	1	Retainer, Skirt 3-1/4
30.	68028	2	Retainer, Skirt 5-1/2
31.	68026	2	Retainer, Skirt 12"
32.	68027	1	Retainer, Skirt 11-1/2
33.	10412	18	Bolt, Carr. 1/4-20 x 1
34.	10602	18	Washer, Flat 1/4
35.	10038	18	Washer, Lock 1/4
36.	10013	18	Nut 1/4-20
37.	68002	2	Bearing, Ball 1-1/4 4 Hole w/ SKWEZLOC
	10006	2	Fitting, Grease 1/8NPT x 45D
38.	10386	4	Screw, Cap 1/2-13 x 4-1/2
39.	10312	8	Washer, Flat 1/2
40.	10407	4	Nut, Lock 1/2-13
41.	68019	1	Spacer, Rotary Head Main Shaft
42.	68068	1	Spider Assembly, Rotary Head (See Fig. 3 For Breakdown)
43.	68015	3	Flange, Rotary Cutter Inner
44.	26010	1	TR-3 Set of 3 Rotary Cutters Complete (See Fig. 3 For Breakdown)
45.	68016	3	Flange, Rotary Cutter Outer
46.	10445	6	Nut, Jam 7/8-9 L.H.

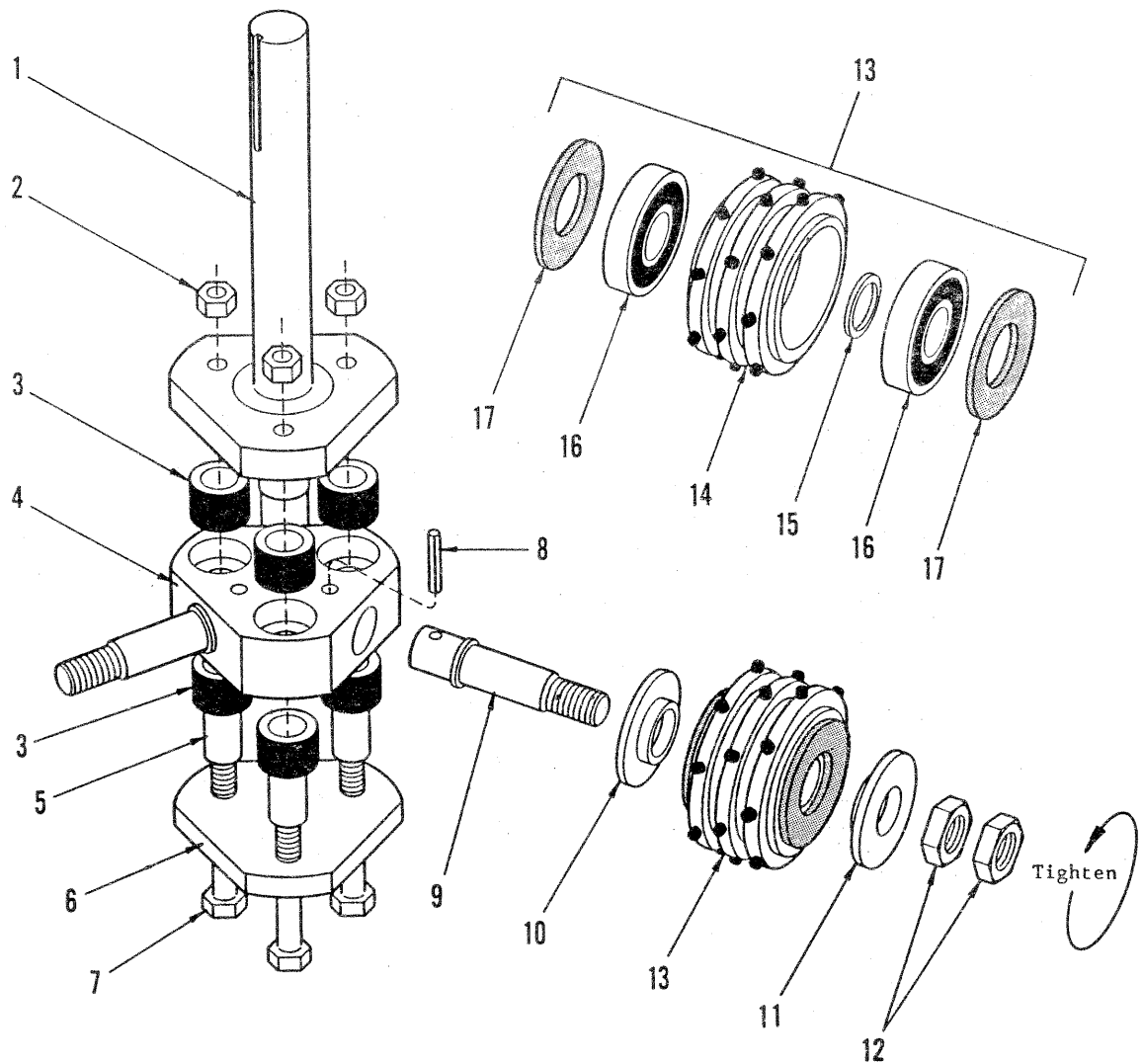


Fig. 3: Rotary Cutter Head Assembly

#68068 Spider Assembly, Rotary Head
 (Includes Items # 1 Thru 9)

Item #	Part #	Qty.	Description
1.	68011	1	Shaft and Flange Assembly, Rotary
2.	10205	3	Nut, Lock 1/2-20
3.	68001	6	Bushing, Rubber 3/4ID x 7/8Thk.
4.	68012	1	Hub, Rotary Head
5.	68018	3	Sleeve, Rubber Bushing
6.	68013	1	Flange, Rotary Cutter Head Base
7.	10370	3	Screw, Cap 1/2-20 x 3-1/4
8.	10126	3	Pin, Roll 5/16 x 1-1/2
9.	68014	3	Shaft, Rotary Cutter
10.	68015	3	Flange, Rotary Cutter Inner
11.	68016	3	Flange, Rotary Cutter Outer
12.	10445	6	Nut, Jam 7/8-9 L.H.
13.	26010	1	TR-3 Set of 3 Rotary Cutters Complete - Includes Parts Below
14.	68048	1ea.	Cutter, Rotary
15.	68017	1ea.	Spacer, Rotary Bearing
16.	68004	2ea.	Bearing for TR-3 Cutter
17.	68006	2ea.	Seal, Felt 2-1/2OD x 1-1/4ID x 3/16

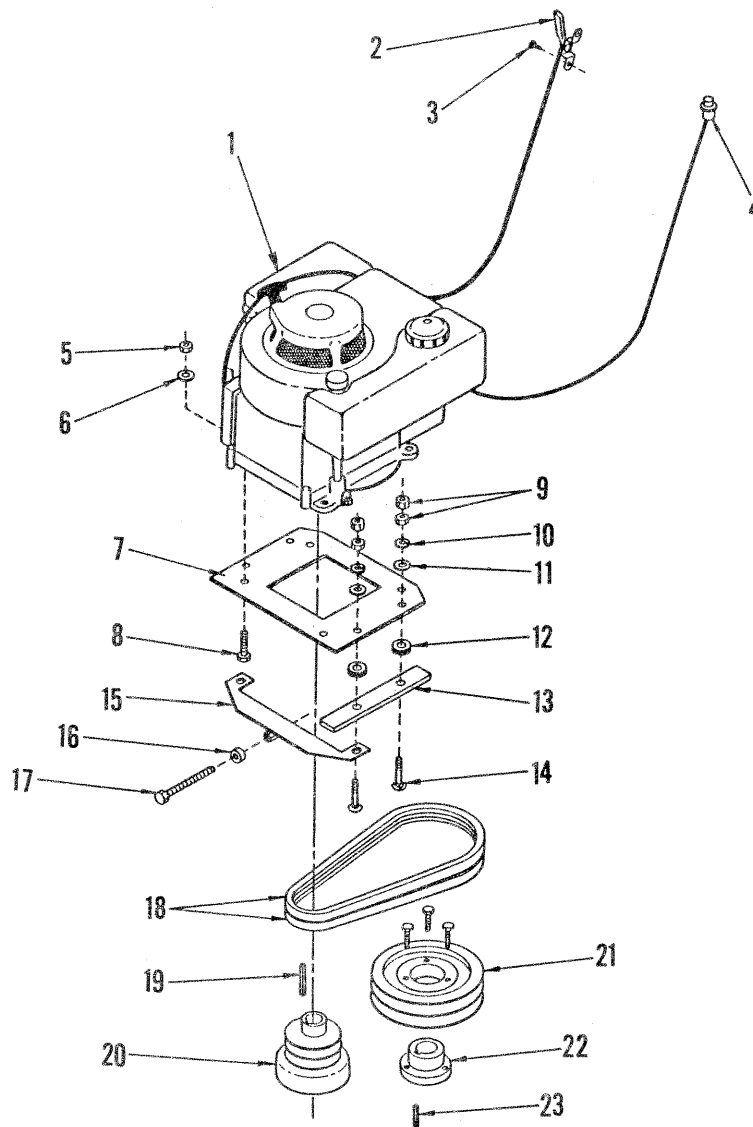


Fig. 4: Power Option Grouping

Item #	Part #	Qty.	Description	Item #	Part #	Qty.	Description
1.	76022	1	Engine, B&S 8 H.P.	12.	10034	4	Bushing, Rubber 1"OD x 3/8ID
	or 76004	1	Engine, Honda 11H.P. GXV340	13.	68034	2	Spacer, Engine Mount
	or 15019	1	Engine, Kawasaki 9H.P. FC290V	14.	10056	4	Bolt, Carr. 5/16-18 x 2"
2.	3611	1	Cable, Throttle Lever Type	15.	68035	1	Tensioner, Engine
3.	10828	2	Screw, Self-Tap 10-24 x 1/2	16.	10011	1	Spacer, Steel 5/8OD x 3/8ID
4.	50010	1	Switch, Stop Button	17.	52015	1	Screw, Cap 3/8-16 x 3-1/2 Full
5.	10054	2or4	Nut 5/16-18	18.	10251	2	Belt BP-34
6.	10801	2or4	Washer, Lock 5/16	19.	10071	1	Key 1/4 Sq. x 2-1/2"
7.	68033	1	Mount Plate, Engine	20.	76024	1	Clutch, Centrifugal 3.5"ODx2Gr.xi"B
8.	10606	2or4	Screw, Cap 5/16-18 x 1-1/4	21.	75010	1	Sheave, 6.9OD x 2Gr.B x SDS
	or 10048	2	Screw, Cap 5/16-24 x 3/4	22.	10064	1	Bushing, Sheave SDS x 1-1/4 Bore
	or *Note	4	Screw, Cap M8 x 1.25 x 25mm	23.	10305	1	Key 1/4Sq. x 1-1/4"
9.	10054	8	Nut 5/16-18				
10.	10801	4	Washer, Lock 5/16				
11.	10213	4	Washer, Flat 5/16				

*Note: Included with 9HP Kawasaki Engine