

REVISED STARTING
SERIAL # 130110019

PARTS LIST MANUAL

MODEL TLR-7



TRAFFIC LINE REMOVER

PART NO. 77500



A Division of Equipment Development Company, Inc.

100 Thomas Johnson Drive, Frederick, MD 21702-4600 USA

Phone (301) 663-1600 • 1-800-638-3326

Fax (301) 663-1607 • 1-800-447-3326

Website: www.edcoinc.com

Email: sales@edcoinc.com

Printed in USA

JWA ©2013

READ AND UNDERSTAND THE OPERATORS INSTRUCTION MANUAL *THOROUGHLY* BEFORE ATTEMPTING TO OPERATE THIS EQUIPMENT.



Death or serious injury could occur if this machine is used improperly.



SAFETY MESSAGES

- Safety Instructions are preceded by a graphic alert symbol of DANGER, WARNING, or CAUTION.



Indicates an imminent hazard which, if not avoided, will result in death or serious injury.



Indicates an imminent hazard which, if not avoided, can result in death or serious injury.



Indicates hazards which, if not avoided, could result in serious injury and or damage to the equipment.

GASOLINE/PROPANE POWERED EQUIPMENT



- Engine exhaust from this product contains chemicals known to the State of California to cause cancer, birth defects or other reproductive harm.



Gasoline is extremely flammable and poisonous. It should only be dispensed in well ventilated areas, and with a cool engine.

- Small gasoline engines produce high concentrations of carbon monoxide (CO) example: a 5 HP 4 cycle engine operation in an enclosed 100,000 cu. ft. area with only one change of air per hour is capable of providing deadly concentrations of CO in less than fifteen minutes. Five changes of air in the same area will produce noxious fumes in less than 30 minutes. Gasoline or propane powered equipment should not be used in enclosed or partially enclosed areas. Symptoms of CO poisoning include, headache, nausea, weakness, dizziness, visual problems and loss of consciousness. If symptoms occur - get into fresh air and seek medical attention immediately.

ELECTRICAL POWERED EQUIPMENT



Extreme care must be taken when operating electric models with water present: Ensure power cord is properly grounded, is attached to a Ground-Fault-Interrupter (GFI) outlet, and is undamaged.

- Check all electrical cables - be sure connections are tight and cable is continuous and in good condition. Be sure cable is correctly rated for both the operating current and voltage of this equipment.
- Improper connection of the equipment-grounding conductor can result in a risk of electric shock. Check with qualified electrician or service person if there is any doubt as to whether the outlet is properly grounded. Adhere to all local codes and ordinances.
- **NOTE:** In the event of a malfunction or breakdown, grounding provides a path of least resistance for the electric current to dissipate. The motor is equipped with a grounded plug and must be connected to an outlet that is properly installed and properly grounded. DO NOT modify the plug provided on the motor. If the plug does not fit the outlet have a qualified electrician install the proper receptacle.
- Switch motor OFF **before** disconnecting power.

- Do not disconnect power by pulling cord. To disconnect, grasp the plug, not the cord.
- Unplug power cord at the machine when not in use and before servicing.

GENERAL INSTRUCTIONS

- Equipment should only be operated by trained personnel in good physical condition and mental health (not fatigued). The operator and maintenance personnel must be physically able to handle the bulk weight and power of this equipment.
- This is a one person tool. Maintain a safe operating distance to other personnel. It is the **operators' responsibility** to keep other people (workers, pedestrians, bystanders, etc.) away during operation. Block off the work area in all directions with roping, safety netting, etc. for a safe distance. Failure to do so may result in others being injured by flying debris or exposing them to harmful dust and noise.
- This equipment is intended for commercial use only.
- For the operator's safety and the safety of others, always keep all guards in place during operation.
- Never let equipment run unattended.



- Personal Protection Equipment and proper safety attire must be worn when operating this machinery. The operator must wear approved safety equipment appropriate for the job such as hard hat and safety shoes when conditions require. Hearing protection **MUST** be used (operational noise levels of this equipment may exceed 90db). Eye protection **MUST** be worn at all times.



Keep body parts and loose clothing away from moving parts. Failure to do so could result in dismemberment or death.

- Do not modify the machine.
- Stop motor/engine when adjusting or servicing this equipment.



Maintain a safe operating distance from flammable materials. Sparks from the cutting-action of this machine can ignite flammable materials or vapors.

DUST WARNING



Some dust created by power sanding, sawing, grinding, drilling, and other construction activities contains chemicals known to cause cancer, birth defects, or other reproductive harm. Some examples of these chemicals are:

- Lead from lead-based paints, and
- Crystalline silica from bricks and concrete and other masonry products.

Your risk of exposure to these chemicals varies depending on how often you do this type of work. To reduce your risk: work in a well ventilated area, use a dust control system, such as an industrial-style vacuum, and wear approved personal safety equipment, such as a dust/particle respirator designed to filter out microscopic particles.

PARTS LIST MANUAL

MODEL TLR-7

TRAFFIC LINE REMOVER

TABLE OF CONTENTS

<u>Section</u>	<u>Pages</u>
Safety Messages and General Instructions	2
How To Order Replacement Parts	3
Illustration 1: Outer Frame Grouping	4, 5
Illustration 2: Inner Frame Grouping	6, 7
Illustration 3: Handwheel & Linkage Grouping	8, 9
Illustration 4: Rotary Cutter Head Assembly	10, 11
Illustration 5: Engine & Drive Grouping	12, 13, 14
Notes	14
Decal Sheet	15
Limited Equipment Warranty of Sale - Terms & Conditions	16 (Back Page)

HOW TO ORDER REPLACEMENT PARTS

- To insure product safety and reliability, always use genuine EDCO replacement parts when making repairs to the equipment.
- When calling for parts, specify the MODEL and SERIAL number of the machine, which can be found on the NAME PLATE. Keep that information in the space provided. In addition to this information, give part number, description, and quantity as listed on the parts list to your parts representative.
- Please note: Due to improvements and changes in the equipment, the illustrations shown may be different than the actual machine.

FILL IN INFORMATION BELOW

Date of Purchase _____

Model # _____

Serial # _____

SKU # _____



A Division of Equipment Development Company, Inc.

100 Thomas Johnson Drive, Frederick, MD 21702-4600 USA

Phone (301) 663-1600 • 1-800-638-3326

Fax (301) 663-1607 • 1-800-447-3326

Website: www.edcoinc.com

Email: sales@edcoinc.com

Printed in USA

JWA ©2013

Page 3

PARTS LISTING - ILLUSTRATION 1 : OUTER FRAME GROUPING			
ITEM #	PART #	DESCRIPTION	QTY.
1	68022	OUTER FRAME W/ HANDLE, TLR-7	1
2	10953	FITTING, GREASE 1/8 NPT STRAIGHT	1
3	61108	GRIP, HAND 1" MODEL SX	2
4	14023	KNOB, BALL 1-3/8 W/ 1/2-13THD, BLK.	1
5	68081	PLUNGER, SPRING 5/8-11 THD.	1
6	10046	NUT, HEX 5/8-11 ZINC	1
7	68036	KICK STAND ASSY., TLR-7 (BREAKDOWN AVAILABLE UPON REQUEST)	1
	68007	PAD, RUBBER 3"SQ. X 1/4"THK.. (INCLUDED W/ 68036)	1
8	10053	SCREW, CAP 5/16-18 X 3/4	3
9	10801	WASHER, LOCK 5/16 ZINC	3
10	10054	NUT, HEX 5/16-18 ZINC	3
11	68020A	CASTER, SWIVEL, TLR-7	2
12	10403	NUT, HEX JAM 3/4-10 ZINC	2
13	68058	NUT, HEX NYLON JAM 3/4-10 ZINC	2
14	68046	HOLDER, FRONT AXLE, TLR-7	2
15	10052	SCREW, SET 5/16-18 X 3/8	2
16	10312	WASHER, FLAT 1/2 SAE ZINC	4
17	10045	WASHER, LOCK 1/2 ZINC	4
18	10143	BOLT, TAP 1/2-13 X 1-1/2 (FULL THD)	4
19	68045	AXLE SHAFT, FRONT 23"L, TLR-7	1
20	68047	SPACER, FRONT AXLE, TLR-7	2
21	50222	BEARING, BALL 1" TPB	2
22	68008	WHEEL 8 X 1-5/8 X 3/4"BRG., POLY	2
23	10009	WASHER, FLAT 3/4 SAE ZINC	2
24	10306	PIN, COTTER 3/16 X 1-1/2	2
25	10318	SCREW, CAP 3/8-16 X 3-3/4	4
26	10811	WASHER, LOCK 3/8 ZINC	4
27	10025	WASHER, FLAT 3/8 SAE ZINC	8
28	68037	WEIGHT, 41 LB., TLR-7	2
29	68038	WEIGHT BAR, 7 LB., TLR-7	2
30	10312	WASHER, FLAT 1/2 SAE ZINC	2
31	10045	WASHER, LOCK 1/2 ZINC	2
32	68040	NUT, TAIL HANDLE 1/2-13, TLR-7	2



A Division of Equipment Development Company, Inc.

100 Thomas Johnson Drive, Frederick, MD 21702-4600 USA

Phone (301) 663-1600 • 1-800-638-3326

Fax (301) 663-1607 • 1-800-447-3326

Website: www.edcoinc.com

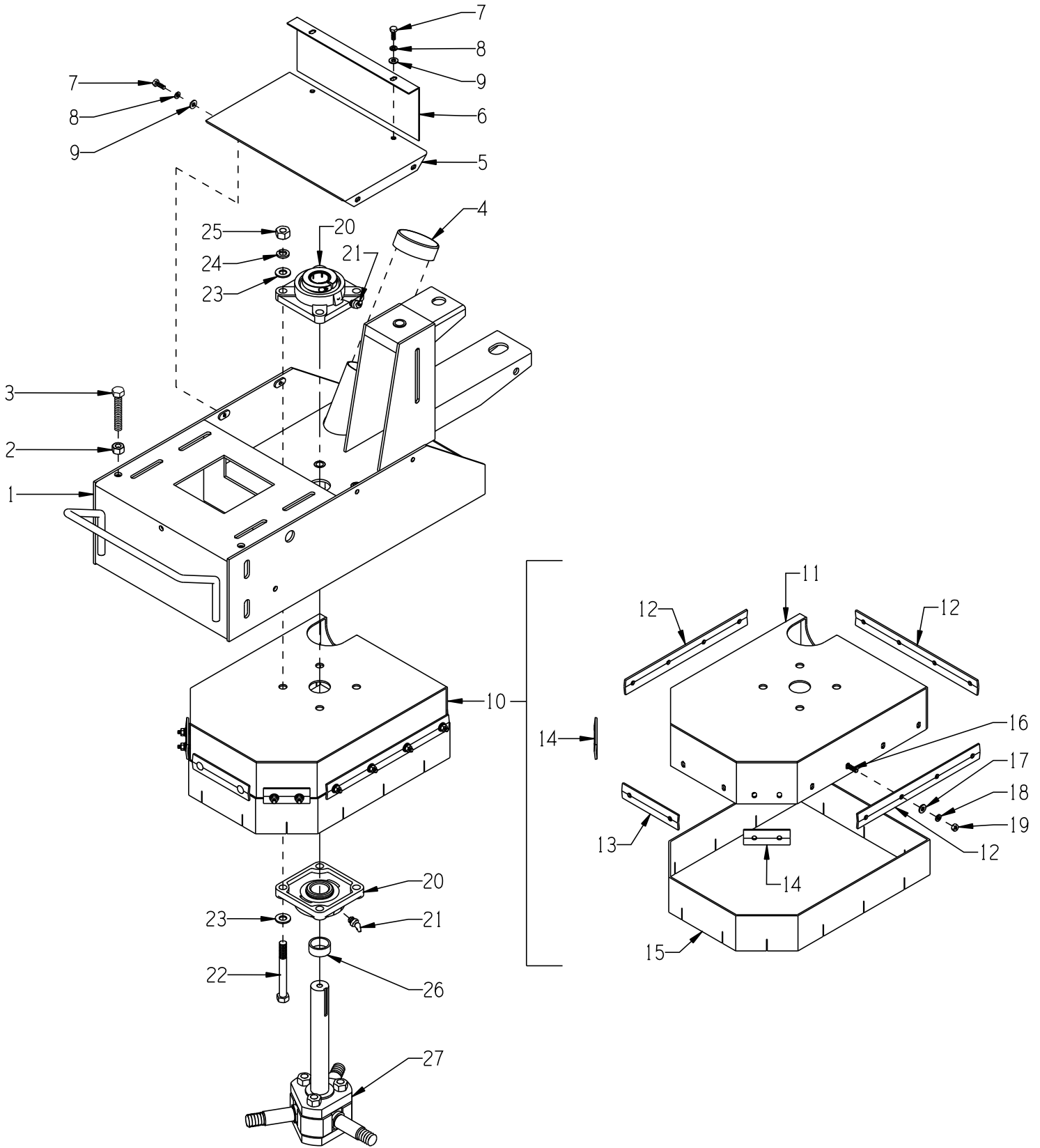
Email: sales@edcoinc.com

Printed in USA

JWA ©2013

Page 5

ILLUSTRATION 2: INNER FRAME GROUPING



PARTS LISTING - ILLUSTRATION 2 : INNER FRAME GROUPING			
ITEM #	PART #	DESCRIPTION	QTY.
1	68021	FRAME, INNER, TLR-7	1
2	10417	NUT, HEX 1/2-13 ZINC	2
3	10340	BOLT, TAP 1/2-13 X 3 (FULL THREAD)	2
4	64030	CAP, END 3" BLUE PLASTIC	1
5	68057	COVER, BELT, TLR-7	1
6	68056	COVER REAR PANEL, BELT, TLR-7	1
7	10018	SCREW, CAP 1/4-20 X 3/4	6
8	10038	WASHER, LOCK 1/4 ZINC	6
9	10602	WASHER, FLAT 1/4 SAE ZINC	6
10	68025A	GUARD & SKIRT SUBASSEMBLY, TLR-7 (INCLUDES ITEMS 11 THRU 19)	1
11	68025	GUARD, CUTTER HEAD, TLR-7	1
12	68026	RETAINER, SKIRT 12", TLR-7	3
13	68028	RETAINER, SKIRT 5-1/2", TLR-7	1
14	68029	RETAINER, SKIRT 3-1/4", TLR-7	2
15	68030	SKIRT, RUBBER, TLR-7 3" X 108"(9 FT.) X 1/16"THK.	1
16	10412	BOLT, CARRIAGE 1/4-20 X 1	18
17	10602	WASHER, FLAT 1/4 SAE ZINC	18
18	10038	WASHER, LOCK 1/4 ZINC	18
19	10013	NUT, HEX 1/4-20 ZINC	18
20	79012	BEARING, BALL 1-1/4" 4-HOLE FLANGE	2
21	10006	FITTING, GREASE 1/8 NPT X 45D	2
22	10409	SCREW, CAP 1/2-20 X 4-1/2	4
23	10312	WASHER, FLAT 1/2 SAE ZINC	8
24	10045	WASHER, LOCK 1/2 ZINC	4
25	10205	NUT, HEX LOCK 1/2-20 ZINC	4
26	68019	SPACER, ROTARY HEAD MAIN SHAFT 1-1/2"OD X 1-1/4"ID X 1/2"THK	1
27	68068	SPIDER ASSY., ROTARY HEAD, TLR-7 (SEE ILLUSTRATION 4 FOR BREAKDOWN)	1



A Division of Equipment Development Company, Inc.

100 Thomas Johnson Drive, Frederick, MD 21702-4600 USA

Phone (301) 663-1600 • 1-800-638-3326

Fax (301) 663-1607 • 1-800-447-3326

Website: www.edcoinc.com

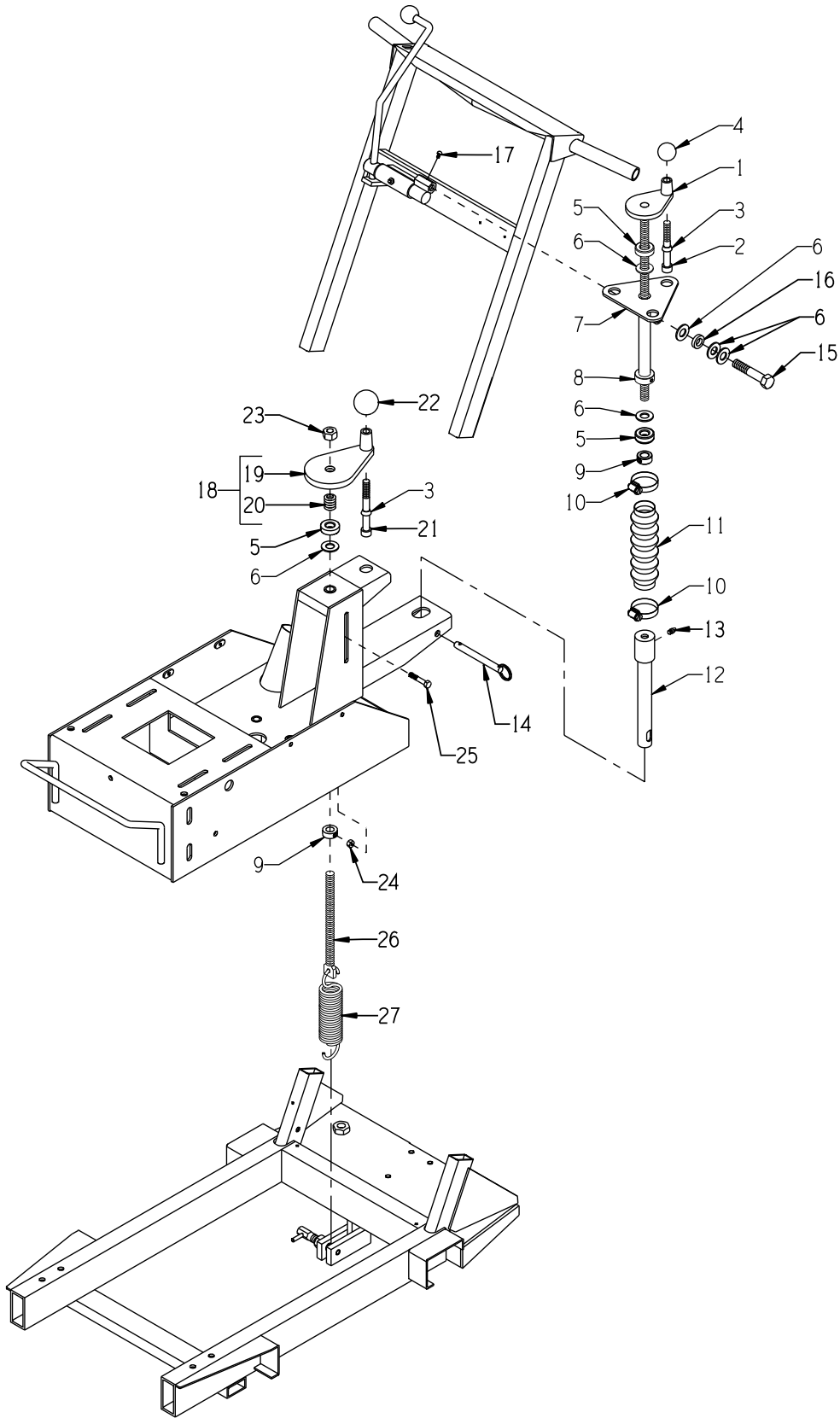
Email: sales@edcoinc.com

Printed in USA

JWA ©2013

Page 7

ILLUSTRATION 3: HANDWHEEL & LINKAGE GROUPING



PARTS LISTING - ILLUSTRATION 3: HANDWHEEL & LINKAGE GROUPING			
ITEM #	PART #	DESCRIPTION	QTY.
1	65008	HANDWHEEL, SMALL W/ 5/8-8 X 18"ROD	1
2	10411	SCREW, SKT. HD. CAP 1/2-13 X 4 ZINC	1
3	50550	SLEEVE, BRASS 1/2" TAPERED	2
4	14023	KNOB, BALL 1-3/8 W/ 1/2-13THD, BLK.	1
5	85005	BEARING, THRUST BALL 5/8	3
6	10073	WASHER, FLAT 5/8 SAE ZINC	5
7	68086	LINKAGE SUPPORT, UPPER CONTROL, TLR7	1
8	10440	COLLAR, LOCKING 7/8"ID	1
9	10096	COLLAR, LOCKING 5/8"ID (NOTE: SET SCREW REMOVED AND CAPSCREW USED, ITEM 25, FOR PRESSURE CONTROL LINKAGE ONLY.)	2
10	10784	CLAMP, HOSE, SAE #20, ADJ. TO 1-3/4	2
11	10930	BELLOWS 1-1/4ID X 2-3/8EL X 1-3/4RL	1
12	68043	LINKAGE, LOWER CONTROL 5/8-8 THD.	1
13	10808	FITTING, GREASE 1/4-28 STRAIGHT	1
14	68082	PIN, DETENT RING 1/2 X 4 E.L.	1
15	10359	SCREW, CAP 5/8-11 X 3-1/4	1
16	79035	BUSHING, RUBBER 1-1/16 X 5/8 X 1/4	1
17	10127	SCREW, DRIVE 1/8 X 1/4"L	1
18	68083A	HANDWHEEL, LARGE W/ 5/8-11 INSERT (THESE 2 PARTS ARE ASSEMBLED W/ RED LOCTITE)	1
19	68083	HANDWHEEL, LARGE W/ 7/8-9 THD. (NOT FOR REPLACEMENT- SEE ITEM 18)	1
20	68084	THREAD INSERT 7/8-9 X 5/8-11 (NOT FOR REPLACEMENT- SEE ITEM 18)	1
21	10346	SCREW, SKT. HD. CAP 1/2-13 X 4-1/2	1
22	10104	KNOB, BALL 1-7/8 W/ 1/2-13THD, BLK.	1
23	11707	NUT, HEX NYLON LOCK 5/8-11 ZINC	1
24	10054	NUT, HEX 5/16-18 ZINC	1
25	10204	SCREW, CAP 5/16-18 X 1-3/4	1
26	68085	LINKAGE, PRESSURE CONTROL 5/8-11	1
27	41041	SPRING, EXT. 1.75"OD X 8"L	1



A Division of Equipment Development Company, Inc.

100 Thomas Johnson Drive, Frederick, MD 21702-4600 USA

Phone (301) 663-1600 • 1-800-638-3326

Fax (301) 663-1607 • 1-800-447-3326

Website: www.edcoinc.com

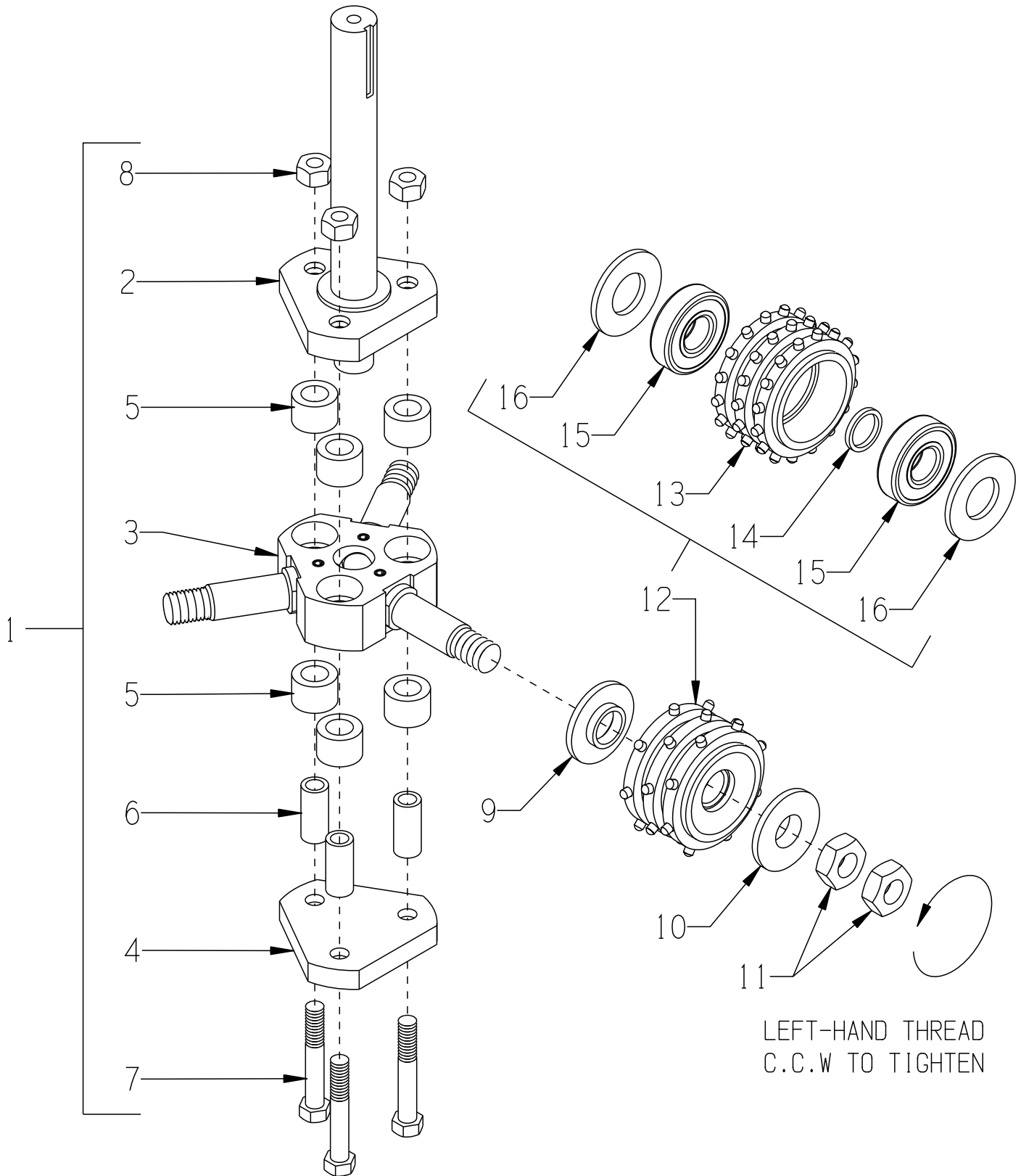
Email: sales@edcoinc.com

Printed in USA

JWA ©2013

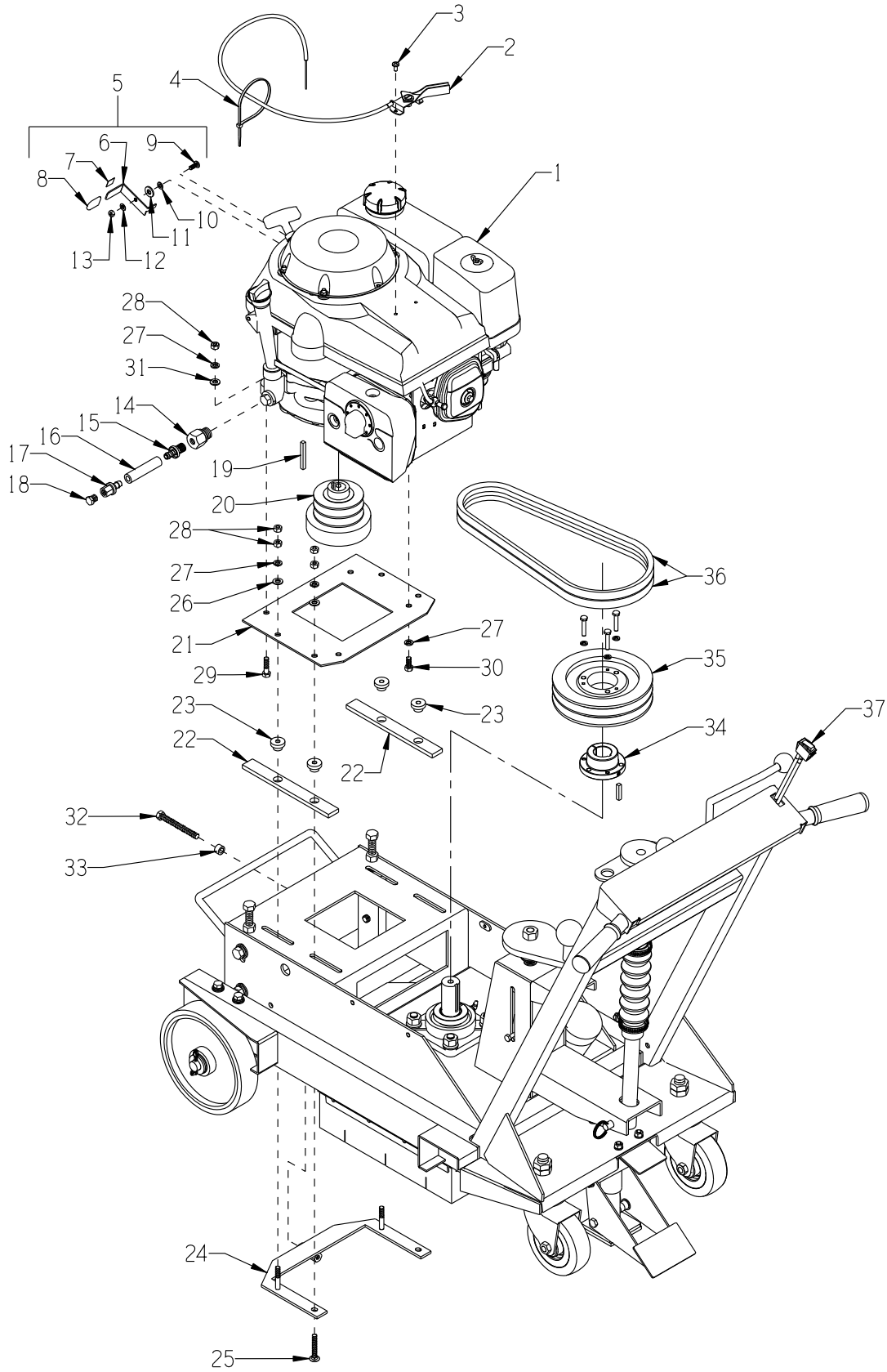
Page 9

ILLUSTRATION 4: ROTARY CUTTER HEAD ASSEMBLY



PARTS LISTING - ILLUSTRATION 4 : ROTARY CUTTER HEAD ASSEMBLY			
ITEM #	PART #	DESCRIPTION	QTY.
1	68068	SPIDER ASSY., ROTARY HEAD, TLR-7 (INCLUDES ITEMS 2 THRU 8)	1
2	68011	SHAFT & FLANGE, ROTARY, TLR-7	1
3	68065A	HUB ASSY. W/ SHAFTS, TLR-7	1
	10126	REPLACEMENT SPRING PINS: PIN, H.D.COILED SPRING 5/16 X 1-1/2	3
4	68013	FLANGE, ROTARY CUTTER HD BASE, TLR7	1
5	68001	BUSHING, RUBBER 1-1/4 X 49/64 X 7/8	6
6	68018	SLEEVE, RUBBER BUSHING, TLR-7	3
7	10370	SCREW, CAP 1/2-20 X 3-1/4 (GRADE 8)	3
8	10205	NUT, HEX LOCK 1/2-20 ZINC	3
9	68067	FLANGE, ROTARY CUTTER INNER, TLR-7	3
10	68016	FLANGE, ROTARY CUTTER OUTER, TLR-7	3
11	10445	NUT, HEX JAM 7/8-9 LEFT-HAND THREAD	6
12	26010 26020	TR3 CUTTER ASSEMBLIES TR3-24 SET OF 3 TRI-CUT CUTTERS (24-BIT) TR3-48 SET OF 3 TRI-CUT CUTTERS (48 BIT)	1-SET
13	-----	CUTTER ONLY (NOT AVAILABLE SEPARATE)	-
14	68017	SPACER 1-1/4"OD X 1"ID X 5/32"THK.	1 EA.*
15	68004	BEARING, RADIAL BALL 25 X 62 X 17MM	2 EA.*
16	68006	SEAL, FELT 2-1/2OD X 1-1/4ID X 3/16	2 EA.*
* NOTE: QUANTITIES FOR THESE ITEMS ARE BASED PER CUTTER. 3 CUTTERS ARE REQUIRED TOTAL.			

ILLUSTRATION 5: ENGINE & BELT DRIVE GROUPING



PARTS LISTING - ILLUSTRATION 5: ENGINE & BELT DRIVE GROUPING			
ITEM #	PART #	DESCRIPTION	QTY.
1	76004	ENGINE, HONDA GXV340UT2-DX3	1
2	40388	CABLE, THROTTLE, LEVER-TYPE 24"	1
3	10858	SCREW, SHEET METAL #10 X 1/2	2
4	10982	TIE, CABLE, BLACK NYLON 11-1/4"	1
5	15190	MANUAL CHOKE KIT FOR HONDA GXV340	1
6	15183	LEVER, CHOKE CONTROL, GXV340	1
7	91301	DECAL, CHOKE 5/8 X 5/8	1
8	15184	CAP, FLAT RED .062 X .75 X 1	1
9	15185	SCREW, MACHINE M6 X 16MM PHILLIP HD	1
10	15188	WASHER .265"ID, .50"OD, .029-.035"THK	1
11	15187	WASHER, FIBER .75 X .25 X .093	1
12	15186	WASHER, BELLEVILLE .500 X.255 X.018	1
13	28026	NUT, HEX NYLON LOCK M6 X 1MM	1
14	11689	ADAPTER, 20MM X 1.5 TO 1/4FPT	1
15	10657	BARB, PUSH-ON 3/8 HOSE X 1/4MPT	1
16	56116	HOSE, PUSH-ON 3/8"ID X 3"L	1
17	11544	BARB, PUSH-ON 3/8 HOSE X 1/4FPT	1
18	10776	PIPE PLUG 1/4 NPT (BRASS)	1
19	-----	KEY (INCLUDED W/ ENGINE)	1
20	76024	CLUTCH, CENTRIFUGAL 3.5 X 2GR X 1	1
21	68033	MOUNT PLATE, ENGINE, TLR-7	1
22	68034	SPACER, ENGINE MOUNT, TLR-7	2
23	10225	BUSHING, RUBBER, ENGINE MOUNT	4
24	68035	TENSIONER, ENGINE TLR-7	1
25	10056	BOLT, CARRIAGE 5/16-18 X 2	2
26	10213	WASHER, FLAT 5/16 SAE ZINC	6
27	10801	WASHER, LOCK 5/16 ZINC	8
28	10054	NUT, HEX 5/16-18 ZINC	10
29	10606	SCREW, CAP 5/16-18 X 1-1/4	2
30	10048	SCREW, CAP 5/16-24 X 3/4	2
31	-----	SEE ITEM 26	-
32	52015	BOLT, TAP 3/8-16 X 3-1/2(FULL THD.)	1
33	10011	SPACER, STEEL 5/8OD X 3/8ID X 3/8T	1
34	10064	BUSHING, SHEAVE SDS X 1-1/4"BORE	1
35	75010	SHEAVE 6.9"OD X 2GR.B X SDS	1
36	10251	BELT B-34 (21/32" x 13/32" x 37"OL)	2
CONTINUED ON PAGE 14			



A Division of Equipment Development Company, Inc.

100 Thomas Johnson Drive, Frederick, MD 21702-4600 USA

Phone (301) 663-1600 • 1-800-638-3326

Fax (301) 663-1607 • 1-800-447-3326

Website: www.edcoinc.com

Email: sales@edcoinc.com

Printed in USA

JWA ©2013

Page 13

DECAL SHEET

TLR7 14 x 17
P/N 92219

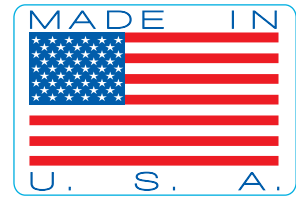


CHECK OIL DAILY

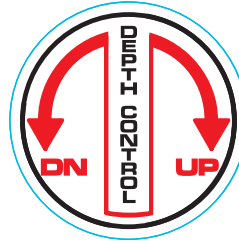
CALIFORNIA PROPOSITION 65 WARNING
The engine exhaust from this product contains chemicals known to the State of California to cause cancer, birth defects or other reproductive harm.

THROTTLE

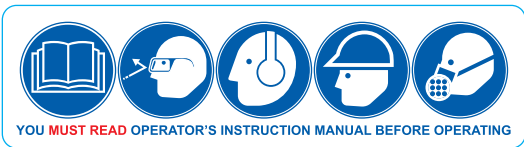
exceeds 85dBA



WARNING
THERE IS NO OIL IN THIS MACHINE

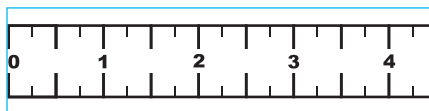


GREASE BEARINGS
DAILY



RENTAL-TOUGH

EDCO



100 Thomas Johnson Drive, Frederick, MD 21702-4600 USA
Phone (301) 663-1600 • 1-800-638-3326
Fax (301) 663-1607 • 1-800-447-3326
Website: www.edcoinc.com
Email: sales@edcoinc.com

LIMITED EQUIPMENT WARRANTY OF SALE - TERMS & CONDITIONS

Equipment Development Company, Inc. herein referred to as EDCO (Seller) warrants that each new unit manufactured by EDCO to be free from defects in material and workmanship in normal use and service for a period of (1) one year (except for the cutter drum assembly on all model concrete/asphalt planes, in which case the warranty period shall be 90 days) from date of shipment to the original retail or equipment rental center owner.

Accessories or equipment furnished and installed on the product by EDCO but manufactured by others, including, but not limited to engines, motors, electrical components, transmissions etc., shall carry the accessory manufacturers own warranty.

EDCO will, at its option, repair or replace, at the EDCO factory or at a point designated by EDCO, any part which shall appear to the satisfaction of EDCO inspection to have been defective in material or workmanship.

EDCO reserves the right to modify, alter and improve any part or parts without incurring any obligation to replace any part or parts previously sold without such modified, altered or improved part or parts.

This warranty is in lieu of and excludes all other warranties, expressed, implied, statutory, or otherwise created under applicable law including, but not limited to the warranty of merchantability and the warranty of fitness for a particular purpose in no event shall seller or the manufacturer of the product be liable for special, incidental, or consequential damages, including loss of profits, whether or not caused by or resulting from the negligence of seller and/or the manufacturer of the product unless specifically provided herein. In addition, this warranty shall not apply to any products or portions thereof which have been subjected to abuse, misuse, improper installation, maintenance, or operation, electrical failure or abnormal conditions and to products which have been tampered with, altered, modified, repaired, reworked by anyone not approved by seller or used in any manner inconsistent with the provisions of the above or any instructions or specifications provided with or for the product

FORCE MAJEURE

Seller's obligation hereunder are subject to, and Seller shall not be held responsible for, any delay or failure to make delivery of all or any part of the Product due to labor difficulties, fires, casualties, accidents, acts of the elements, acts of God, transportation difficulties, delays by a common carrier, inability to obtain Product, materials or components or qualified labor sufficient to timely perform part of or all of the obligations contained in these terms and conditions, governmental regulations or actions, strikes, damage to or destruction in whole or part of manufacturing plant, riots, terrorist attacks or incidents, civil commotions, warlike conditions, flood, tidal waves, typhoon, hurricane, earthquake, lightning, explosion or any other causes, contingencies or circumstances within or without the United States not subject to the Seller's control which prevent or hinder the manufacture or delivery of the Products or make the fulfillment of these terms and conditions impracticable. In the event of the occurrence of any of the foregoing, at the option of Seller, Seller shall be excused from the performance under these Terms and Conditions, or the performance of the Seller shall be correspondingly extended.

This document sets forth the terms and conditions pursuant to which the purchaser ("Purchaser") will purchase and Equipment Development Co. Inc. ("Seller") will sell the products, accessories, attachments (collectively the Products) ordered by the Purchaser. These terms and conditions shall govern and apply to the sale of Seller's Products to Purchaser, regardless of any terms and conditions appearing on any purchase order or other forms submitted by Purchaser to Seller, or the inconsistency of any terms therein and herein.

1. PRICE

All prices set forth on any purchase order or other document are F.O.B. Sellers facility or distribution point, as may be determined by Seller (F.O.B. Point). All prices are exclusive of any and all taxes, including, but not limited to, excise, sales, use, property or transportation taxes related to the sale or use of the Products, now or hereafter imposed, together with all penalties and expenses. Purchaser shall be responsible for collecting and/or paying any and all such taxes, whether or not they are stated in any invoice for the Products. Unless otherwise specified herein, all prices are exclusive of inland transportation, freight, insurance and other costs and expenses relating to the shipment of the Products from the F.O.B. point to Purchaser's facility. Any prepayment by Seller of freight insurance and other costs shall be for the account of Purchaser and shall be repaid to Seller.

2. PAYMENT TERMS

Payment terms are as follows. 2% 10 days (to approved and qualified accounts). Net 30 days. This is a cash discount for invoices paid within 10 days after the invoice date, regardless of date of receipt of shipment. This is not a trade discount and will not be granted to accounts that do not adhere to stated terms.

*All past due accounts are subject to a late payment fee of 1.5% per month or a maximum allowed by law if different, along with the expenses incidental to collection including reasonable attorney's fees and costs.

*Seller reserves the right to hold shipments against past due accounts.

*Seller reserves the right to alter payment terms.

3. FREIGHT TERMS

All shipments will be made F.O.B. shipping point as designated in these Terms and Conditions, and title shall pass at the F.O.B. point. Delivery to the initial common carrier shall constitute delivery to the Purchaser. Any claims for loss or damage during shipment are to be filed with carrier by the Purchaser. Seller will not assume responsibility for the performance of the carrier.

Back orders will be shipped in the most practical fashion with charges consistent with our freight policy established with the original order. UPS, FED EX, MAIL or shipments by other couriers are subject to the same terms and conditions as outlined in paragraph #3 "Freight Terms".

4. DELIVERY, DAMAGES, SHORTAGES

Seller shall use reasonable efforts to attempt to cause the Products to be delivered as provided for in these Terms & Conditions. Delivery to the initial common carrier shall constitute the delivery to the Purchaser. Seller's responsibility, in so far as transportation risks are concerned ceases upon the delivery of the Products in good condition to such carrier at the F.O.B. point and all the Products shall be shipped at the Purchaser's risk. Seller shall not be responsible or liable for any loss of income and/or profits, or incidental, special, consequential damages resulting from Seller's delayed performance in shipment and delivery.

5. RETURN OF DEFECTIVE PRODUCTS

Defective or failed material shall be held at the Purchaser's premises until authorization has been granted by Seller to return or dispose of Products. Products that are to be returned for final inspection must be returned Freight Prepaid in the most economical way. Credit will be issued for material found to be defective upon Seller's inspection based on prices at time of purchase.

6. PRODUCTS ORDERED IN ERROR

Products may be returned, provided that claim is made and Seller is notified within 7 days of receipt of Products, and the Products are in original buyer's possession not more than 30 days prior to return, subject to Seller's approval. If Products are accepted for return, they must be Freight Prepaid and buyer will be charged a minimum of 15% restocking charge, plus a charge back for outbound freight charges if the original order was shipped prepaid. Returns are not accepted for any Products that are specifically manufactured to meet the buyer's requirement of either specifications or quantity.

AGREEMENTS

These Terms and Conditions constitute the entire agreement between Seller and Purchaser as it relates to terms and conditions of sale, and supersedes any and all prior oral or written agreements, correspondence, quotations or understandings heretofore in force between the parties relating to the subject matter hereof. There are no agreements between Seller and Purchaser with respect to the Product herein except those specifically set forth in and made part of these terms and conditions. Any additional terms, conditions and/or prices are rejected by Seller.

These terms and conditions may be modified, cancelled or rescinded only by a written agreement of both parties executed by their duly authorized agents.

USE ONLY GENUINE EDCO PARTS & ACCESSORIES
For your own safety, the safety of others and the life of your machine.

Equipment Development Company, Inc.

