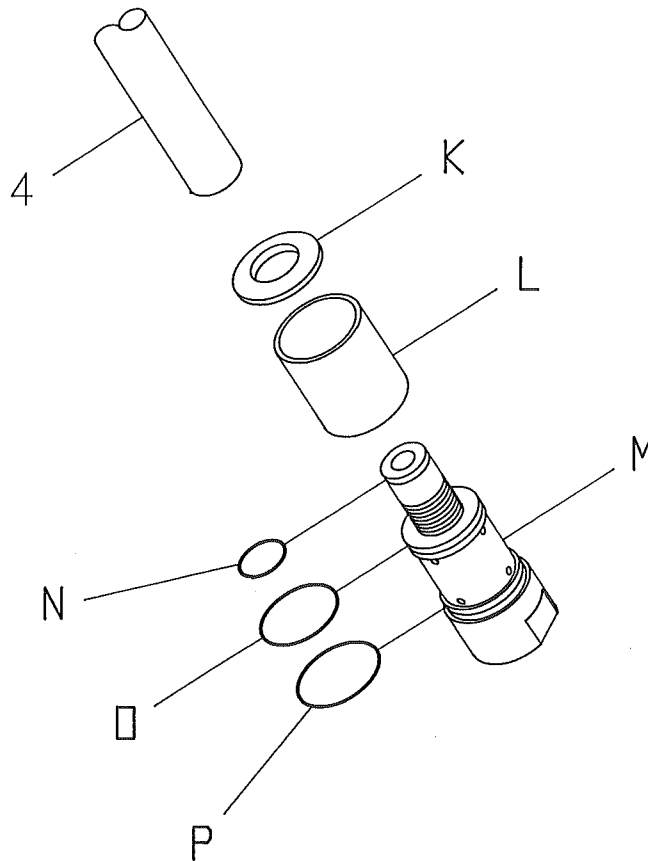


PARTS LIST ADDENDUM

12-1-91

MODEL ALR CYLINDER HOUSING ASSEMBLY Item #5 PART #C10535



ITEM	PART #	DESCRIPTION
K	C10545	Cylinder Housing Cap
L	C10546	Cylinder Housing Sleeve
M	C10547	Cylinder Housing Main Body
N	C10536	"O" Ring #023
O	C10548	"O" Ring #031
P	C10549	"O" Ring #032

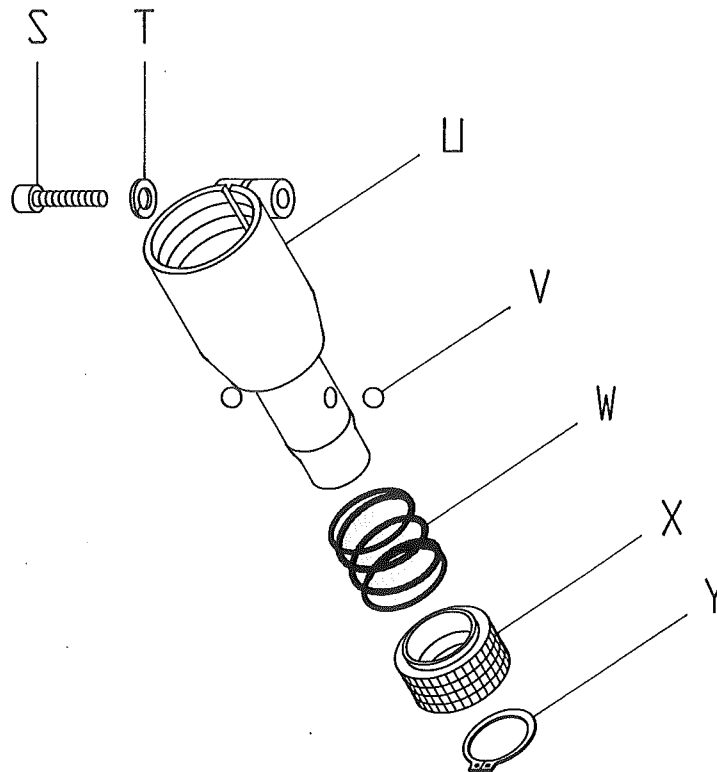
EQUIPMENT DEVELOPMENT COMPANY, INC.
100 THOMAS JOHNSON DRIVE, FREDERICK, MARYLAND 21702-4305 USA
301-663-1600 TOLL FREE 1-800-638-3326 FAX 301-663-1607

PARTS LIST ADDENDUM

2-1-92

MODEL ALR

CHISEL HOLDER ASSEMBLY
Item #11 PART #C10514



ITEM	PART #	DESCRIPTION
S	C10577	Screw, Skt. Hd. 5/16-18 x 1-1/4
T	10801	Washer, Lock 5/16
U	C10578	Chuck Body
V	C10579	Ball, 5/16" Chrome (2 Req'd.)
W	C10580	Spring, Comp. 1-1/2"OD x 1-1/4"L
X	C10581	Ball Lock, Knurled
Y	C10582	Retaining Ring, Ext. 1-1/8"

EQUIPMENT DEVELOPMENT COMPANY, INC.

100 THOMAS JOHNSON DRIVE, FREDERICK, MARYLAND 21702-4305 USA
301-663-1600 TOLL FREE 1-800-638-3326 FAX 301-663-1607