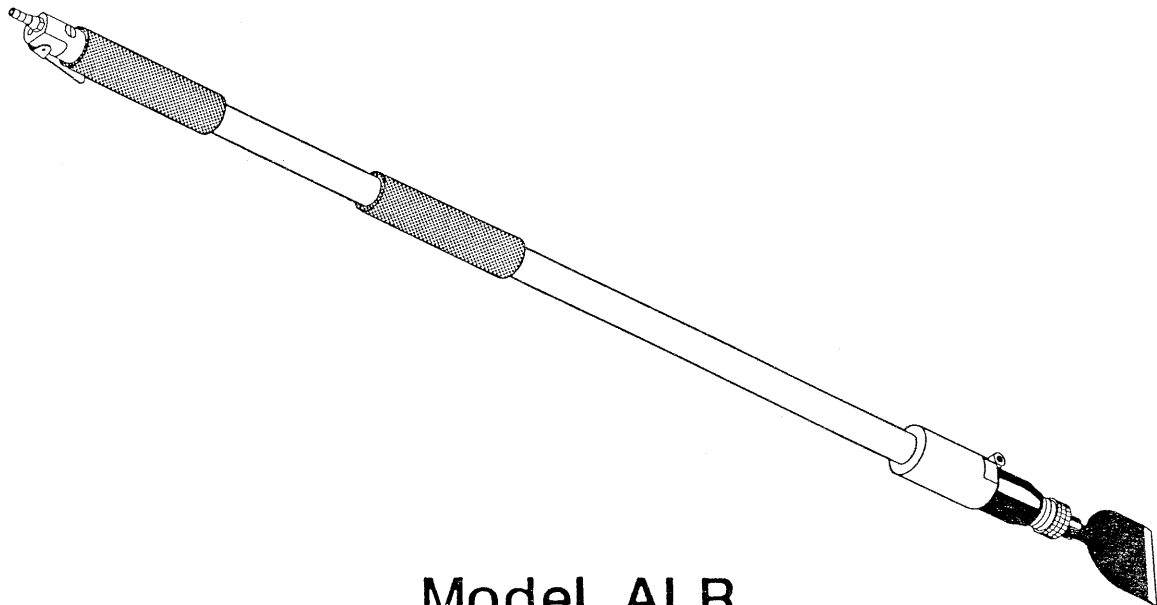


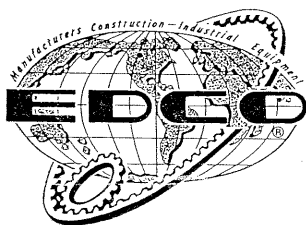


LONG REACH SCALER

INSTRUCTIONS AND PARTS MANUAL



Model ALR



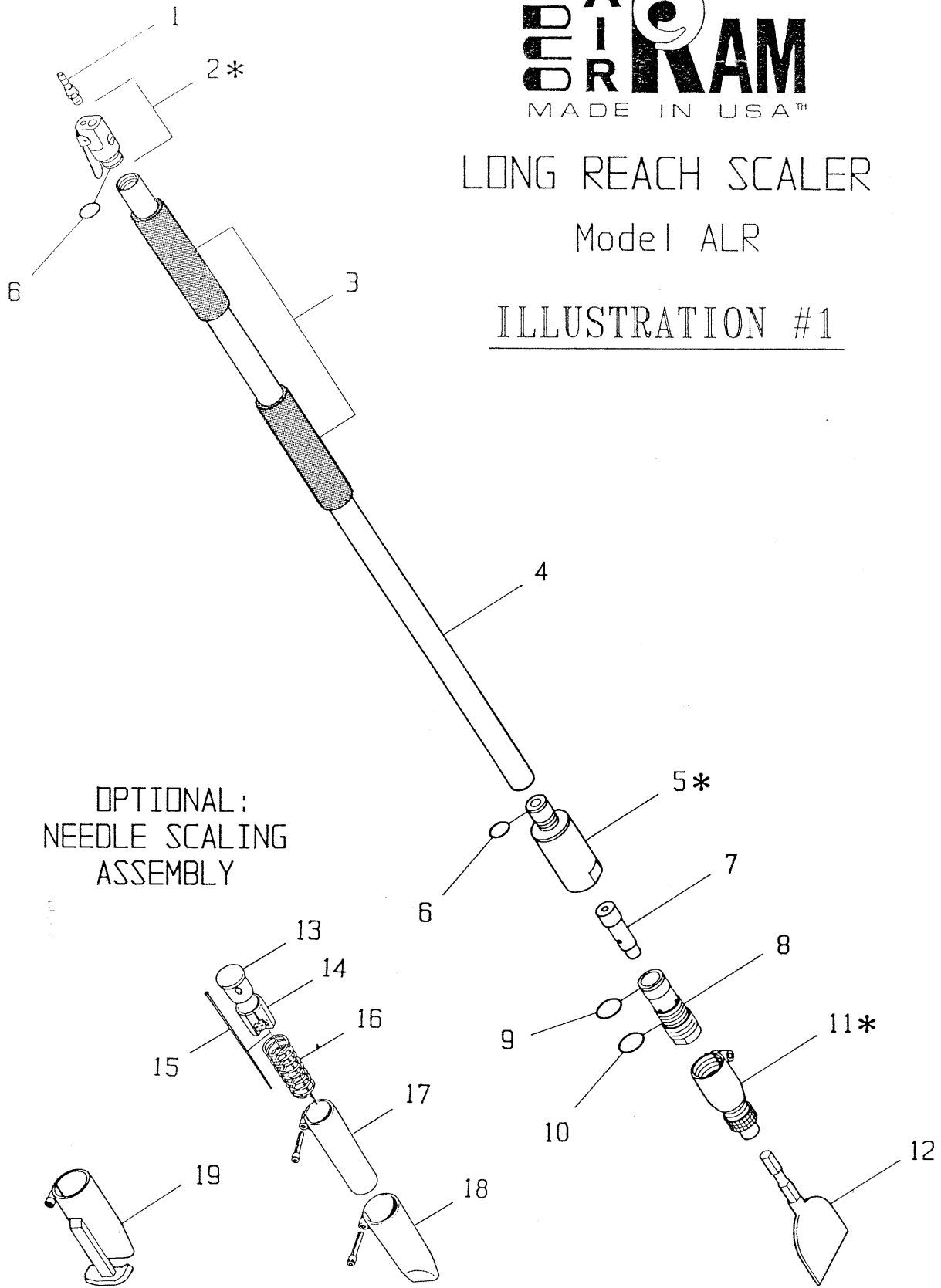
EQUIPMENT DEVELOPMENT COMPANY, INC.

100 THOMAS JOHNSON DRIVE, FREDERICK, MARYLAND 21702-4305 USA
301-663-1600 TOLL FREE 1-800-638-3326 FAX 301-663-1607

LONG REACH SCALER

Model ALR

ILLUSTRATION #1



* NOTE:
 These items are assemblies. Refer to
 Illustration #2, page 3, for breakdown.

PARTS LISTING - ILLUSTRATION #1

Item #	Part #	Description	Qty.
1.	C10523	Barb, Swivel 3/8Hose x 1/4MPT	1
2.	C10570	Valve Body Assembly (See Illus. #2 for Breakdown)	1
3.	C10531	Grip, Foam 8"	2
4.		Casing (Specify Size)	1
	C10532	5 foot Model	
	C10533	4 foot Model	
	C10534	2 foot Model	
5.	C10535	Cylinder Housing Assembly (See Illus. #2 for Breakdown)	1
6.	C10536	O-Ring 26mm x 2mm (See Illus. #2, Items "G" & "N")	2
7.	C10583	Piston	1
8.	C10584	Cylinder	1
9.	C10511	O-Ring 34mm x 2mm	1
10.	C10512	O-Ring 37mm x 2mm	1
11.	C10514	Chisel Holder, 5/8" Hex Shank (See Illus. #2 for Breakdown)	1
12.	C10302	LR-4 Chisel, 4" Steel (Other Accessories Available)	1
	C10537	Allen Key 1/4 in. (Not Shown)	1

OPTIONAL - NEEDLE SCALING ASSEMBLY (Part #C10307)

13.	C10516	Anvil	1
14.	C10517	Needle Holder for 3mm Needle	1
15.		Needle 3mm x 7" (28 per set)	28
	C10597	AN-CP Chisel Tip (Standard)	
	C10596	AN-PT Pointed Tip (Optional)	
	C10595	AN-FL Flat Tip (Optional)	
16.	C10518	Spring, Compression	1
17.	C10519	Intermediate Tube, Round Front W/ Socket Head Screw	1
18.	C10520	Front Tube, Straight W/ Socket Head Screw	1
19.	C10537	Allen Key 1/4 in. (Not Shown)	1

OPTIONAL - FRONT TUBE WITH FOOT FOR CRACK CHASING

19.	C10538	Front Tube, Crack Chaser W/ Socket Head Screw	1
-----	--------	--	---