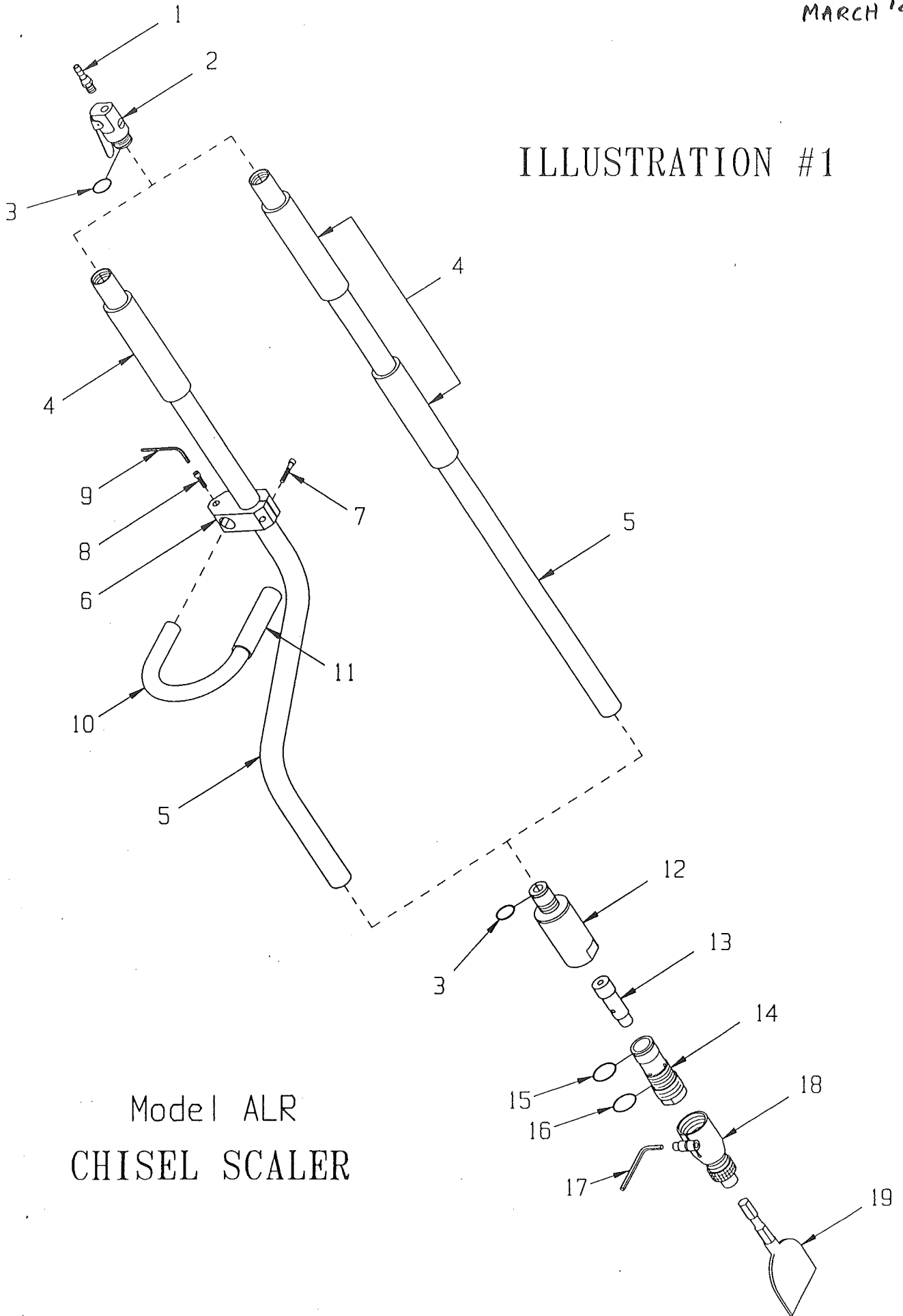


REVISED  
MARCH '96

# ILLUSTRATION #1



Model ALR  
CHISEL SCALER

REVISED  
MARCH '96

PARTS LISTING - ILLUSTRATION #1			
Item #	Part #	Description	Qty.
1	C10523	Barb, Swivel 3/8Hose x 1/4MPT	1
2	C10570	Valve Body Assembly (Refer to Illus. #2 for Breakdown)	1
3	C10536	O-Ring 2 x 26mm	2
4		Grip, Foam	
	C10531	1-1/4"ID x 8"L (Models ALR-4 & ALR-5)	1 or 2
	C10539	1-1/4"ID x 12"L (Model ALR-2 Only)	1
5		Casing (Specify Size)	1
	C10587	Ergonomic Steel Model ALR-5	
	C10587A	Ergonomic Alum. Model ALR-5-A	
	C10532	Straight Steel 44-1/2" Model ALR-5	
	C10532A	Straight Alum. 44-1/2" Model ALR-5-A	
	C10533	Straight Steel 32-1/2" Model ALR-4	
	C10533A	Straight Alum. 32-1/2" Model ALR-4-A	
	C10534	Straight Steel 12" Model ALR-2	
	C10534A	Straight Alum. 12" Model ALR-2-A	
6	C10586	Clamp, Ergonomic Handle	1
7	10856	Screw, Skt. Hd. Cap 1/4-20 x 1-1/2	1
8	10869	Screw, Skt. Hd. Cap 1/4-20 x 1	1
9	66045	Wrench, Hex Key 3/16 in.	1
10	C10588	Handle, U-Shaped	1
11	61067	Grip, Foam 7/8"ID x 5"L	1
12		Cylinder Housing Assembly (Refer to Illus. #2 for Breakdown)	1
	C10535	Steel Housing	
	C10535A	Alum. Housing	
13	C10583	Piston } Should be replaced	1
14	C10584	Cylinder } together as a set.	1
15	C10511	O-Ring 2 x 34mm	1
16	C10512	O-Ring 2 x 37mm	1
17	C10537	Wrench, Hex Key 1/4 in.	1
18	C10514	Chisel Holder Assy., 5/8" Hex Shank (Refer to Illus. 2 for Breakdown)	1
19	C10302	LR-4 Chisel, 4" Steel - Standard (Other Accessories are Available)	1