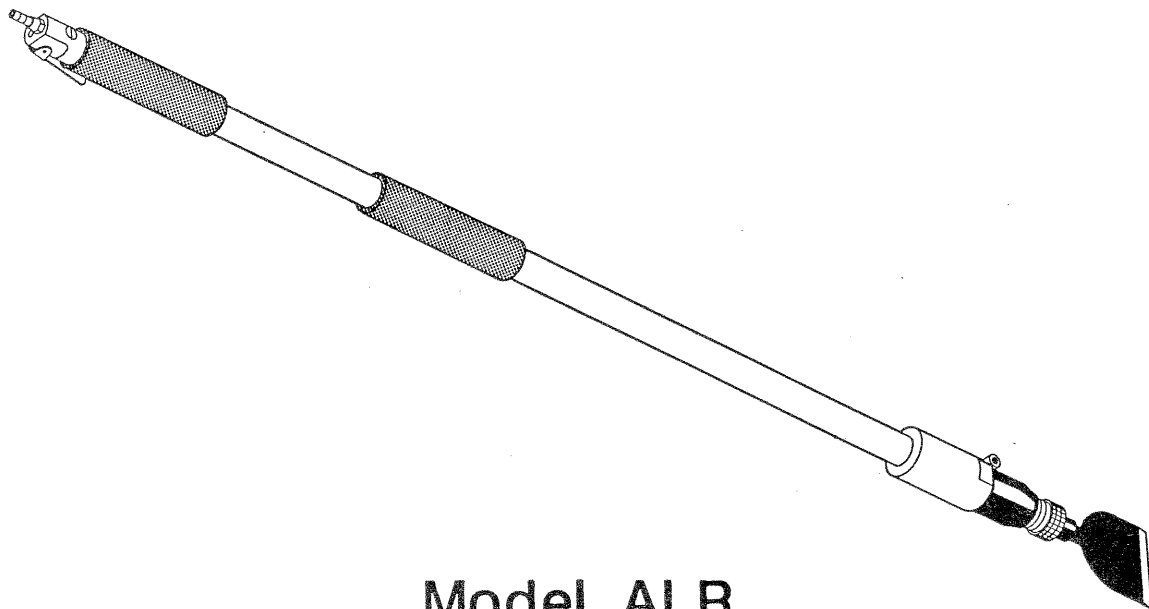


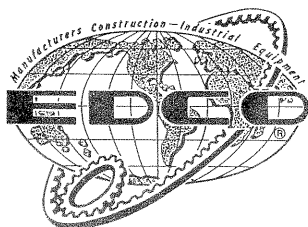


# LONG REACH SCALER

## INSTRUCTIONS AND PARTS MANUAL



Model ALR



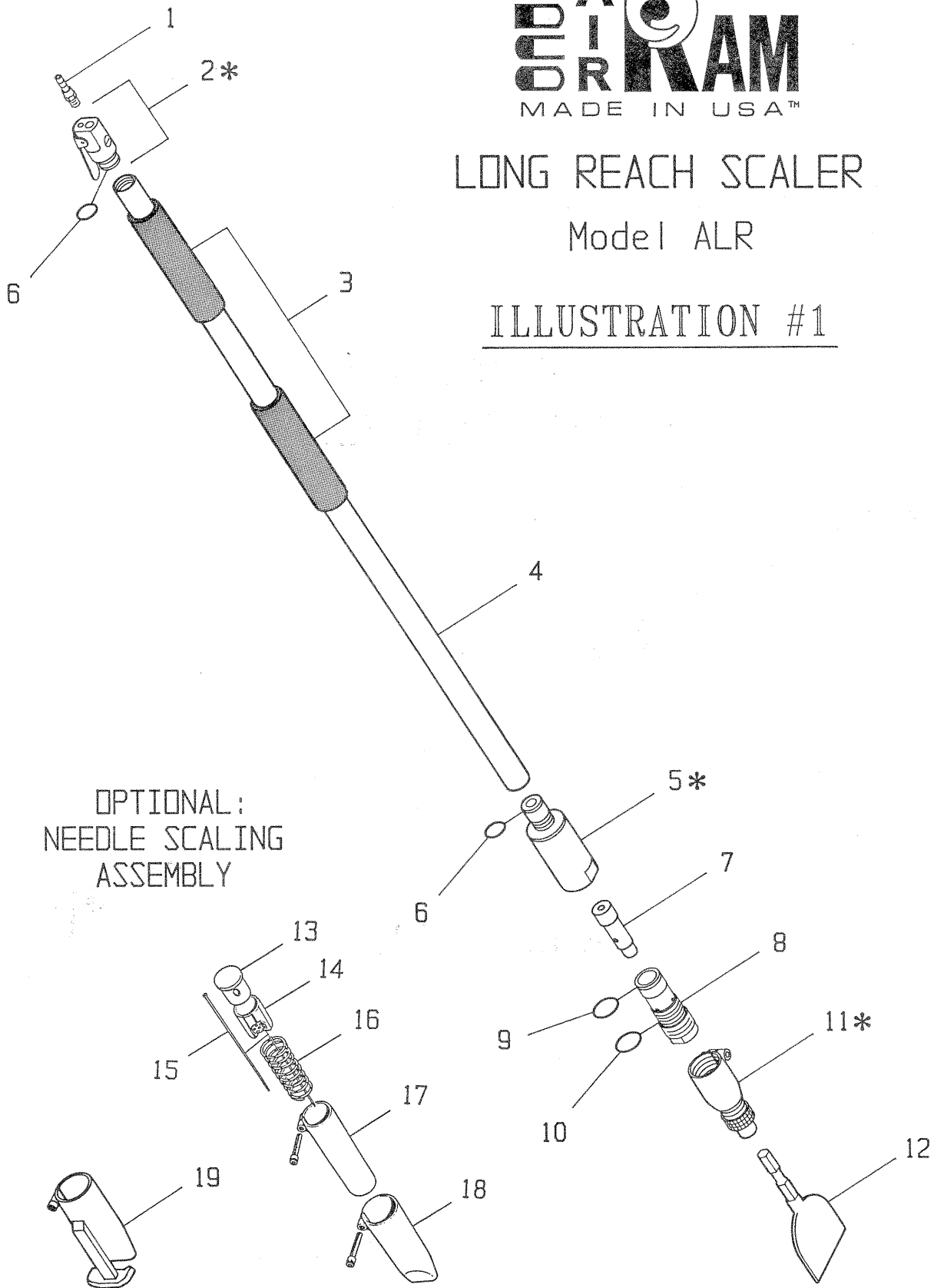
**EQUIPMENT DEVELOPMENT COMPANY, INC.**

100 THOMAS JOHNSON DRIVE, FREDERICK, MARYLAND 21702-4305 USA  
301-663-1600 TOLL FREE 1-800-638-3326 FAX 301-663-1607

LONG REACH SCALER

Model ALR

ILLUSTRATION #1



OPTIONAL:  
NEEDLE SCALING  
ASSEMBLY

\*NOTE: These items are Assemblies  
See Illustration #2 for breakdown

PARTS LISTING - ILLUSTRATION #1

Item #	Part #	Description	Qty.
1.	C10523	Barb, Swivel 3/8Hose x 1/4MPT	1
2.	C10570	Valve Body Assembly (See Illus. #2 for Breakdown)	1
3.	C10531	Grip, Foam 8"	2
4.		Casing (Specify Size)	1
	C10532	5 foot Model	
	C10533	4 foot Model	
	C10534	2 foot Model	
5.	C10535	Cylinder Housing Assembly (See Illus. #2 for Breakdown)	1
6.	C10536	O-Ring 26mm x 2mm (See Illus. #2, Items "G" & "N")	2
7.	C10583	Piston	1
8.	C10584	Cylinder	1
9.	C10511	O-Ring 34mm x 2mm	1
10.	C10512	O-Ring 37mm x 2mm	1
11.	C10514	Chisel Holder, 5/8" Hex Shank (See Illus. #2 for Breakdown)	1
12.	C10302	LR-4 Chisel, 4" Steel (Other Accessories Available)	1
	C10537	Allen Key 1/4 in. (Not Shown)	1

---

OPTIONAL - NEEDLE SCALING ASSEMBLY (Part #C10307)

13.	C10516	Anvil	1
14.	C10517	Needle Holder for 3mm Needle	1
15.		Needle 3mm x 7" (28 per set)	28
	C10597	AN-CP Chisel Tip (Standard)	
	C10596	AN-PT Pointed Tip (Optional)	
	C10595	AN-FL Flat Tip (Optional)	
16.	C10518	Spring, Compression	1
17.	C10519	Intermediate Tube, Round Front W/ Socket Head Screw	1
18.	C10520	Front Tube, Straight W/ Socket Head Screw	1
	C10537	Allen Key 1/4 in. (Not Shown)	1

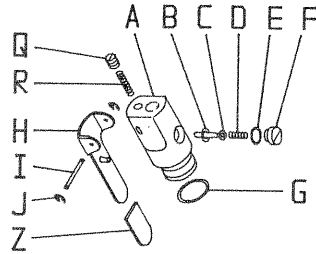
---

OPTIONAL - FRONT TUBE WITH FOOT FOR CRACK CHASING

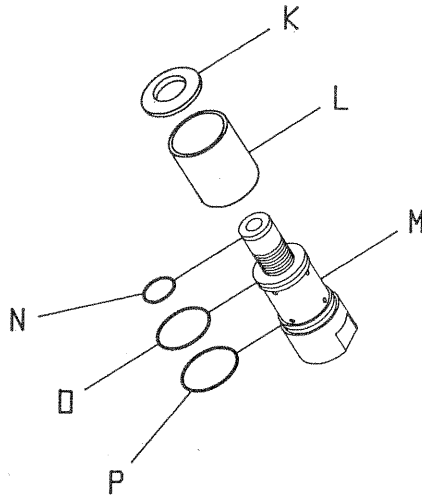
19.	C10538	Front Tube, Crack Chaser W/ Socket Head Screw	1
-----	--------	--	---

ILLUSTRATION #2

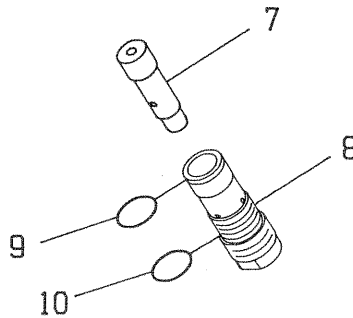
ITEM #2  
VALVE BODY  
ASSEMBLY



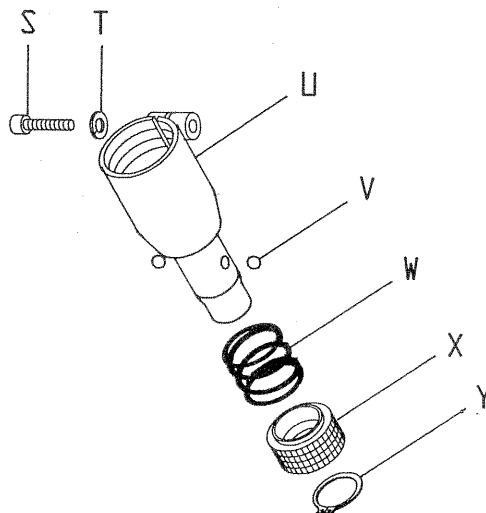
ITEM #5  
CYLINDER HOUSING  
ASSEMBLY



ITEMS #7, 8, 9, & 10  
PISTON & CYLINDER  
ASSEMBLY



ITEM #11  
CHISEL HOLDER  
ASSEMBLY



PARTS LISTING - ILLUSTRATION #2

Item	Part #	Description	Qty.
2	C10570	Valve Body Assembly	
A	C10571	Valve Body	1
B	C10540	O-Ring, Valve Stem #109	1
C	C10572	Valve Stem	1
D	C10542	Spring, Valve Stem	1
E	C10543	O-Ring, Stem Retainer #013	1
F	C10544	Valve Stem Retainer	1
G	C10536	O-Ring, Valve Body 26mm x 2mm	1
H	C10573	Valve Lever	1
I	C10574	Pin, Valve Lever 1/8 x 1-3/8	1
J	C10622	Retaining Ring, E-Clip 1/8"	2
Q	C10575	Retaining Cap 3/8-24 x 3/8	1
R	C10576	Spring, Valve Lever	1
Z	C10569	Grip, Flat Red .75 x 1.5"L	1
<hr/>			
5	C10535	Cylinder Housing Assembly	
K	C10545	Cylinder Housing Cap	1
L	C10546	Cylinder Housing Sleeve	1
M	C10547	Cylinder Housing Main Body	1
N	C10536	O-Ring 26mm x 2mm	1
O	C10548	O-Ring 46mm x 2mm	1
P	C10549	O-Ring 48mm x 2mm	1
<hr/>			
7	C10583	Piston	} Should be replaced together as a set.
8	C10584	Cylinder	
9	C10511	O-Ring 34mm x 2mm	1
10	C10512	O-Ring 37mm x 2mm	1
<hr/>			
11	C10514	Chisel Holder Assembly	
S	C10577	Screw, Skt.Hd. 5/16-18 x 1-1/4	1
T	10801	Washer, Lock 5/16	1
U	C10578	Chuck Body	1
V	C10579	Ball, 5/16" Chrome	2
W	C10580	Spring, Comp. 1-1/2"OD x 1-1/4"L	1
X	C10581	Collar, Knurled Ball Locking	1
Y	C10582	Retaining Ring, Ext. 1-1/8"	1
	C10537	Allen Key 1/4 in. (Not Shown)	1