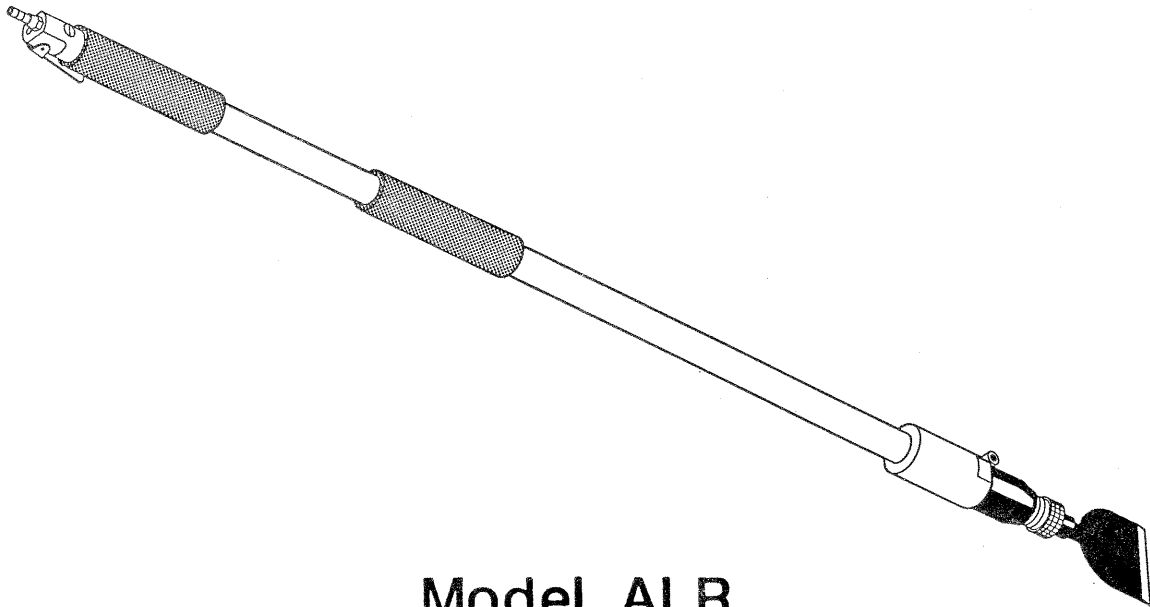


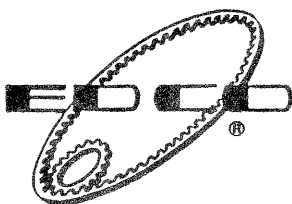


LONG REACH SCALER

INSTRUCTIONS AND PARTS MANUAL



Model ALR



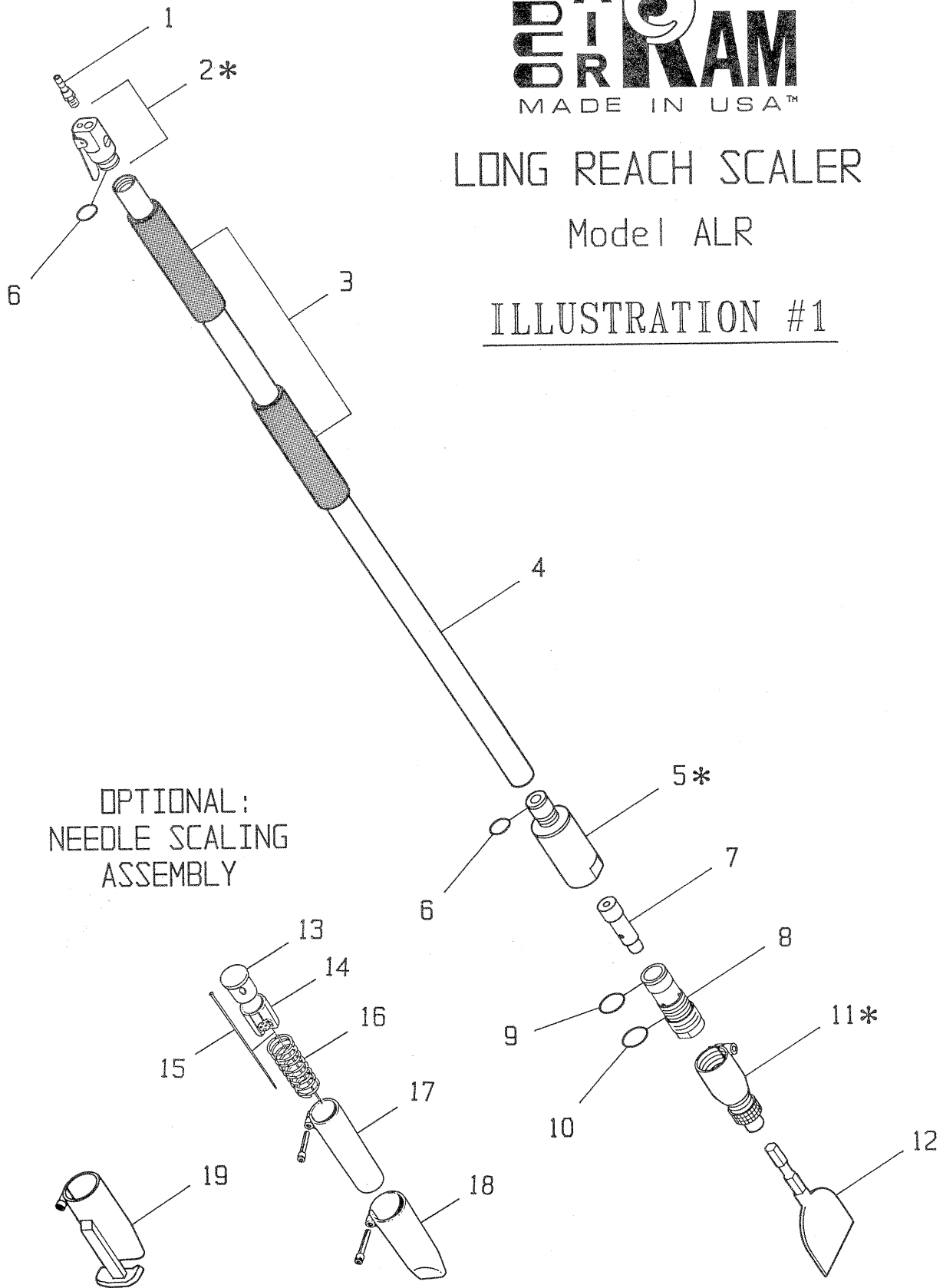
EQUIPMENT DEVELOPMENT COMPANY, INC.

100 THOMAS JOHNSON DRIVE, FREDERICK, MARYLAND 21702-4305 USA
301-663-1600 TOLL FREE 1-800-638-3326 FAX 301-663-1607

LONG REACH SCALER

Model ALR

ILLUSTRATION #1



*NOTE: These items are Assemblies
See Illustration #2 for breakdown

PARTS LISTING - ILLUSTRATION #1

Item #	Part #	Description	Qty.
1.	C10523	Barb, Swivel 3/8Hose x 1/4MPT	1
2.	C10570	Valve Body Assembly (See Illus. #2 for Breakdown)	1
3.	C10531	Grip, Foam 8"	2
4.		Casing (Specify Size)	1
	C10532	5 foot	
	C10533	4 foot	
	C10534	2 foot	
5.	C10535	Cylinder Housing Assembly (See Illus. #2 for Breakdown)	1
6.	C10536	"O" Ring #023 (See Illus. #2, Items "G" & "N")	
7.	C10583	Piston } Should be replaced	1
8.	C10584	Cylinder } together as a set.	1
9.	C10511	"O" Ring #028	1
10.	C10512	"O" Ring #029	1
11.	C10514	Chisel Holder, 5/8" Hex Shank (See Illus. #2 for Breakdown)	1
12.	C10302	LR-4 Chisel, 4" Steel (Other Accessories Available)	1
	C10537	Allen Key 1/4 in. (Not Shown)	1

OPTIONAL - NEEDLE SCALING ASSEMBLY (Part #C10307)

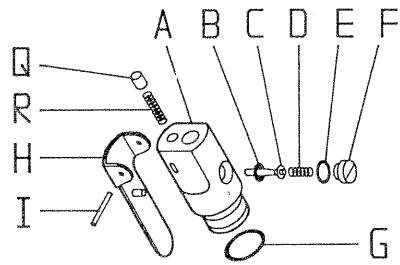
13.	C10516	Anvil	1
14.	C10517	Needle Holder for 3mm Needle	1
15.		Needle 3mm x 7" (28 per set)	28
	C10397	AN-CP Chisel Tip (Standard)	
	C10396	AN-PT Pointed Tip (Optional)	
	C10395	AN-FL Flat Tip (Optional)	
16.	C10518	Spring, Compression	1
17.	C10519	Intermediate Tube, Round Front & Screw, Skt. Hd. 8M x 30mm	1
18.	C10520	Front Tube, Straight & Screw, Skt. Hd. 8M x 30mm	1
	C10515	Allen Key 6mm (Not Shown)	1

OPTIONAL - FRONT TUBE WITH FOOT FOR CRACK CHASING

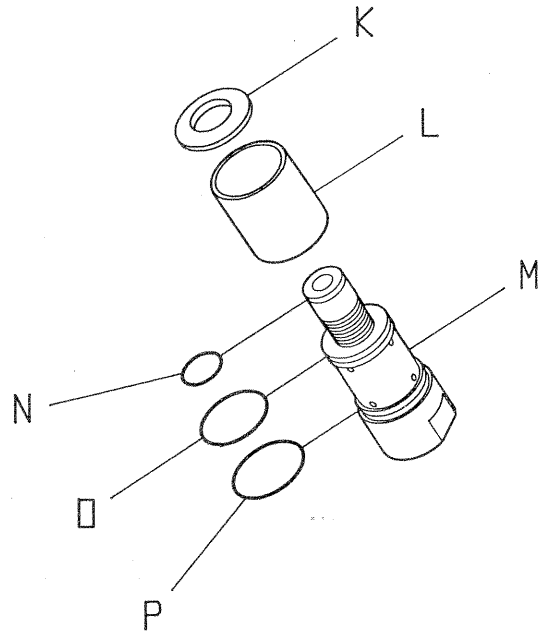
19.	C10538	Front Tube, Crack Chaser & Screw, Skt. Hd. 8M x 30mm	1
-----	--------	---	---

ILLUSTRATION #2

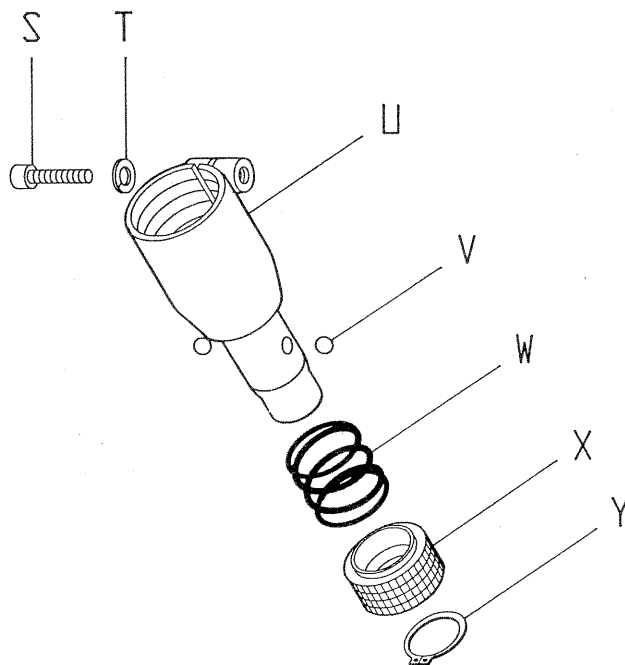
ITEM #2
VALVE BODY
ASSEMBLY



ITEM #5
CYLINDER HOUSING
ASSEMBLY



ITEM #11
CHISEL HOLDER
ASSEMBLY



PARTS LISTING - ILLUSTRATION #2

Item	Part #	Description	Qty.
2	C10570	Valve Body Assembly	
A	C10571	Valve Body	1
B	C10540	"O" Ring, Valve Stem #109	1
C	C10572	Valve Stem	1
D	C10542	Spring, Valve Stem	1
E	C10543	"O" Ring, Stem Retainer #013	1
F	C10544	Valve Stem Retainer	1
G	C10536	"O" Ring, Valve Body #023	1
H	C10573	Valve Lever	1
I	C10574	Roll Pin 1/8 x 1-1/4	1
Q	C10575	Spring Retaining Cap	1
R	C10576	Spring, Valve Lever	1
5	C10535	Cylinder Housing Assembly	
K	C10545	Cylinder Housing Cap	1
L	C10546	Cylinder Housing Sleeve	1
M	C10547	Cylinder Housing Main Body	1
N	C10536	"O" Ring #023	1
O	C10548	"O" Ring #031	1
P	C10549	"O" Ring #032	1
11	C10514	Chisel Holder Assembly	
S	C10577	Screw, Skt.Hd. 5/16-18 x 1-1/4	1
T	10801	Washer, Lock 5/16	1
U	C10578	Chuck Body	1
V	C10579	Ball, 5/16" Chrome	2
W	C10580	Spring, Comp. 1-1/2"OD x 1-1/4"L	1
X	C10581	Collar, Knurled Ball Locking	1
Y	C10582	Retaining Ring, Ext. 1-1/8"	1