

REVISED STARTING SERIAL # 051210058

ELECTRIC POWERED MODEL S-EC PARTS LIST MANUAL



Single-Disc Concrete Floor Grinder



100 Thomas Johnson Drive, Frederick, MD 21702-4600 USA
Phone (301) 663-1600 • 1-800-638-3326
Fax (301) 663-1607 • 1-800-447-3326
Website: www.edcoinc.com • Email: sales@edcoinc.com

Printed in USA
©2004

READ AND UNDERSTAND THE OPERATORS INSTRUCTION MANUAL THOROUGHLY BEFORE ATTEMPTING TO OPERATE THIS EQUIPMENT. Death or serious injury could occur if this machine is used improperly.



SAFETY MESSAGES



The safety instructions are preceded by a graphic alert message of DANGER, WARNING, or CAUTION.



Indicates an imminent hazard which, if not avoided, will result in death or serious injury.



Indicates an imminent hazard which, if not avoided, can result in death or serious injury.



Indicates hazards which, if not avoided, could result in serious injury and or damage to the equipment.

GASOLINE

Powered Equipment



- Do not operate gasoline powered equipment without adequate ventilation. Carbon monoxide is an invisible, odorless gas that can kill.

ELECTRICAL

Powered Equipment



- ELECTRICAL HAZARD** - Be sure equipment is properly grounded. Failure to comply could kill or result in serious injury.



The engine exhaust from this product contains chemicals known to the State of California to cause cancer, birth defects or other reproductive harm.

GENERAL INSTRUCTIONS



- You must read and understand the operators instruction manual and all other manuals associated with this machine. For your safety and the safety of others around you, it is extremely important to fully understand how to operate this machine in the way it was intended. Different model machines or older/newer versions of the same model may have different parts and controls that you need to understand. If instructions are not readable or available DO NOT USE this machine and contact the factory for a replacement Manual.
- You must be able to physically handle the bulk weight and power of this machine. If not properly controlled this machine can cause death or serious injury.
- Do not operate this machine in an impaired mental state. You must be able to exercise good judgement and reactions to maintain a safe working environment.
- This is a "one person" machine which means only one operator can be operating the machine at any one time. For the safety of others, maintain a safe operating distance to other personnel. Your work area should be defined and appropriately marked so bystanders and coworkers do not stand or walk near this machine and end up seriously injured by flying debris or exposing them to harmful noise or dust.
- This equipment is for Commercial use. Although this is a "one person" machine your work team should understand how to shut this machine off and quickly get medical help if an accident strikes the operator.
- Keep all guards in place during operation. The guards are to provide protection from inadvertent contact with dangerous moving parts, pinch points, or hot surfaces.
- Wear appropriate Personal Protective Equipment (PPE) including safety glasses, safety boots, work gloves, respiratory protection, hearing protection, and head protection. Do not wear loose clothing that can get tangled in moving parts. Failure to do so could result in dismemberment or death. **Wear an approved respirator when removing hazardous materials or when grinding/cutting dry materials. Some dust particles such as concrete dust can contain silicate particles which can cause silicosis (a very serious lung disease). Contact NIOSH or OSHA for further details. When wet grinding/cutting, avoid contact with the concrete/asphalt slurry which can cause serious skin irritations.**
- You must maintain this machine per the maintenance schedule in the operator manual. Remember before adjusting, servicing, or fueling this machine, disconnect the source of power to the machine by disconnecting the spark plug (Gas models), or by unplugging the electrical power cord (electric models) or air hose (Pneumatic models) AT THE MACHINE so you can assure yourself it remains unplugged while you are working on it. Do not modify this machine. Use only genuine EDCO parts and accessories. Repairs and service should be performed by approved EDCO dealers or authorized technicians.
- You should look carefully around the area before you begin work so you can identify potential hazards such as deck inserts, pipes, columns, openings, electrical cords or outlets, or any other objects protruding from the slab surface.
- This machine has no brain so you must use your own. There is no substitute for safety. The safety decals on the machine are to serve as a reminder for information you must already know before you begin using this machine. Take a moment to reread the safety decals each time you use the machine. If your machine is missing any decals, contact the factory for a replacement (EDCO 1-800-638-3326).

PARTS LIST MANUAL

EDCO MODEL S-EC

Section	Page Number
Safety Messages / General Instructions	2
How To Order Replacement Parts	3
Illustration 1: Main Grouping	4,5
Illustration 2: Motor & Belt Drive Grouping	6,7
Illustration 3: Inner Frame Grouping	8
Illustration 4: Multi-Accessory Disc Grouping	9
Illustration 5: Dyma-Sert Accessory	10
Illustration 6: Strip-Sert Accessory	10
Illustration 7: Pad Driver Disc and Silabide Pad Accessory	11
Limited Equipment Warranty	back cover

S-EC SINGLE-DISC CONCRETE FLOOR GRINDERS		
PART NO.	MODEL	ELECTRIC MOTOR OPTION
50200	SEC-1.5L	LESSON 1.5HP, 1 ϕ , 60HZ, 115/230 VOLTS, 17.2/8.6 F.L. AMPS
52500	SEC-2B	BALDOR 2HP, 1 ϕ , 50HZ, 220 VOLTS, 10 F.L. AMPS

HOW TO ORDER REPLACEMENT PARTS

- To insure product safety and reliability, always use genuine EDCO replacement parts when making repairs to the equipment.
- When calling for parts, specify the MODEL and SERIAL NUMBER of the machine which can be found on the NAME PLATE. Keep that information in the space provided. In addition to this information, give part number, description and quantity as listed on the parts list to your parts representative.
- Please note: Due to improvements and changes in the equipment, the illustrations shown may be different than the actual machine.

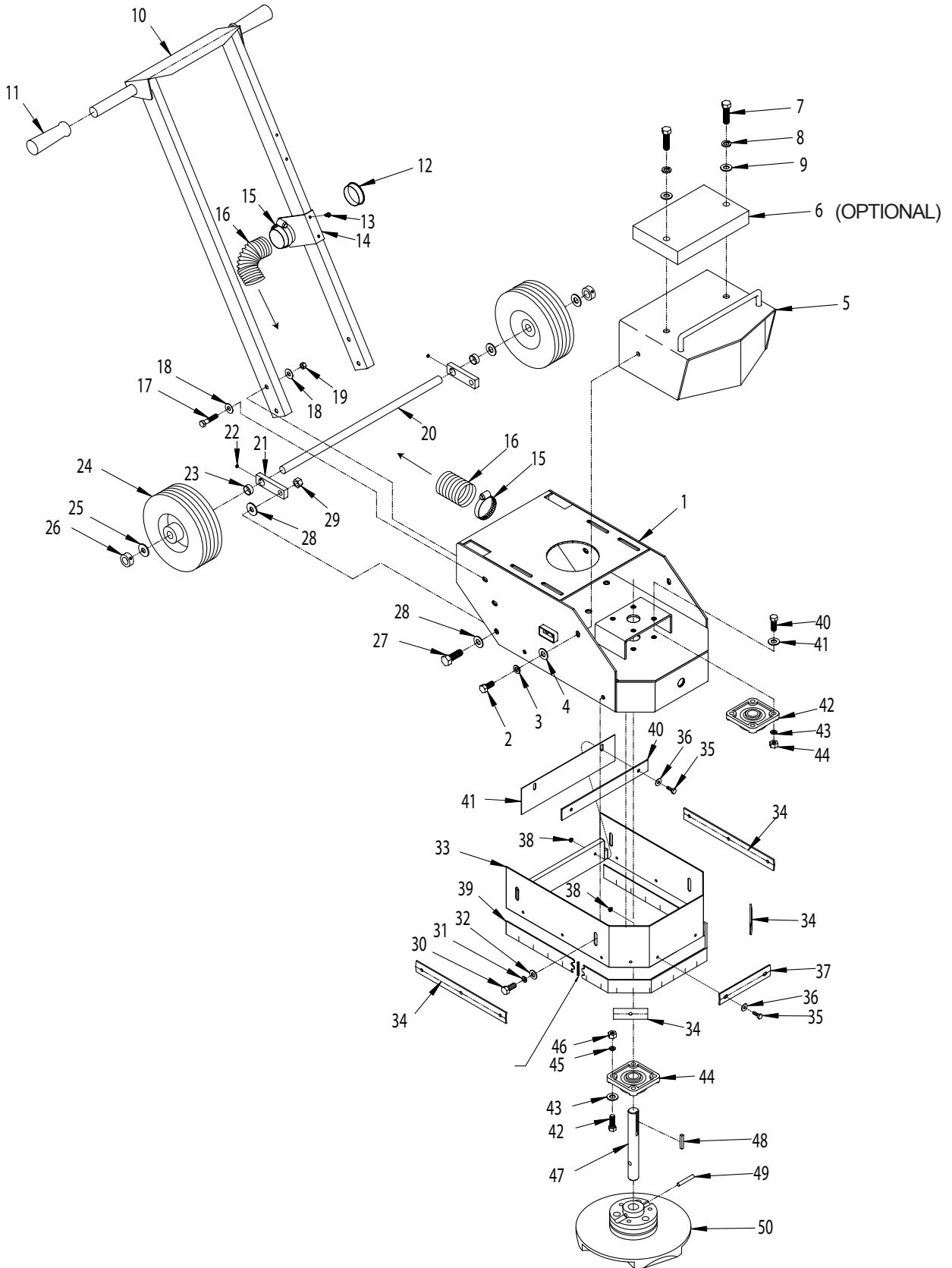
FILL IN INFORMATION BELOW

Date of Purchase _____
 Name of Machine _____
 Model # _____
 Serial # _____
 Belt Size(s) _____

Toll Free: 1-800-638-3326
 FAX: 1-800-447-3326
 email: sales@edcoinc.com
www.edcoinc.com



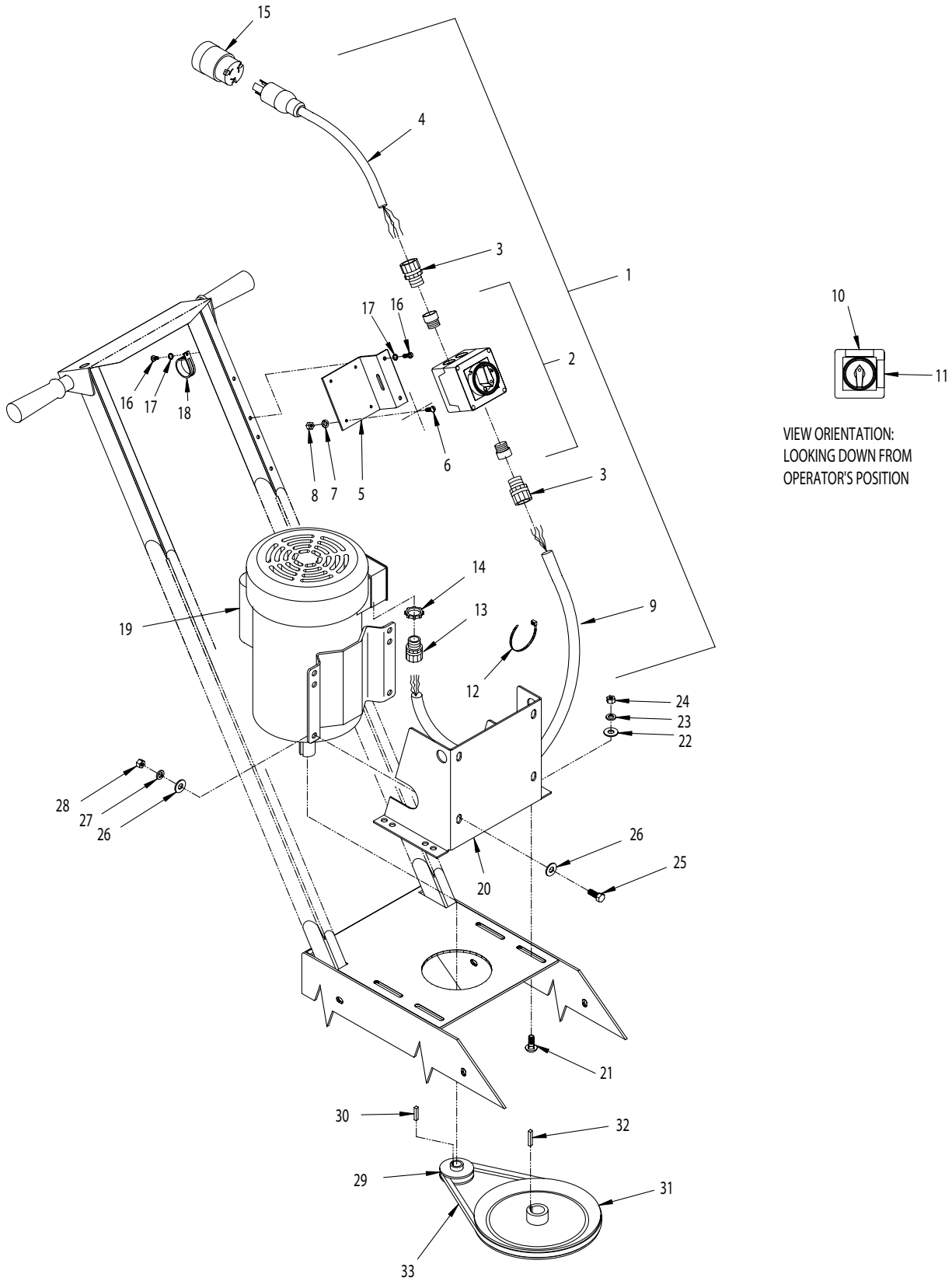
ILLUSTRATION 1 : MAIN GROUPING



PARTS LISTING - ILLUSTRATION 1 : MAIN GROUPING			
ITEM#	PART#	DESCRIPTION	QTY.
1	86224	MAIN FRAME	1
2	10907	SCREW, CAP 3/8-16 X 3/4	2
3	10811	WASHER, LOCK 3/8	2
4	10025	WASHER, FLAT 3/8 SAE	2
5	86203	HOOD	1
6	86204	WEIGHT BLOCK, 24.5 LBS. (OPTIONAL)	1
7	10357	SCREW, CAP 1/2-13 X 2-1/4	2
8	10045	WASHER, LOCK 1/2	2
9	10312	WASHER, FLAT 1/2 SAE	2
10	86012	HANDLE BAR	1
11	10608	GRIP, HAND 1" MODEL AT	2
12	64030	PLUG, CAP 3" TUBE	1
13	10846	SCREW, CAP STSHW 1/4-20 X 1/2	2
14	86347	BRACKET, MULTI-VAC PORT	1
15	10766	CLAMP, HOSE, SAE #28, ADJ. TO 2-1/4	2
16	86225	HOSE, FLEX 2"ID X 24"L	1
17	10029	SCREW, CAP 3/8-24 X 1-3/4	4
18	10025	WASHER, FLAT 3/8 SAE	8
19	10004	NUT, LOCK 3/8-24	4
20	86206	AXLE SHAFT 3/4DIA. X 19-5/8L	1
21	86305	FLIP-HOLDER, WHEEL AXLE	2
22	10139	SCREW, SET 1/4-20 X 5/16	2
23	80022	SPACER, WHEEL 13/16"ID X 13/16"L	2
24	79013	WHEEL 8 X 2-1/2 X 3/4"BRG.	2
25	10009	WASHER, FLAT 3/4 SAE	2
26	10428	COLLAR, LOCKING 3/4"ID	2
27	10321	SCREW, CAP 1/2-20 X 1-1/4	2
28	10312	WASHER, FLAT 1/2 SAE	4
29	10205	NUT, LOCK 1/2-20	2
30	10055	SCREW, CAP 3/8-16 X 1	4
31	10811	WASHER, LOCK 3/8	4
32	10025	WASHER, FLAT 3/8 SAE	4
33	86202	SKIRT	1
34	86217	SKIRT RETAINING STRIP, SIDE 12"	2
35	10018	SCREW, CAP 1/4-20 X 3/4	12
36	10602	WASHER, FLAT 1/4 SAE	12
37	86215	SKIRT RETAINING STRIP, FRONT 6-3/4	1
38	10861	NUT, KEPS 1/4-20	12
39	86219	SKIRT RUBBER 3 X 41	1
40	86218	SKIRT RETAINING STRIP, REAR 11-1/2	1
41	86220	SKIRT RUBBER 3 X 12-1/2	1
42	10003	SCREW, CAP 7/16-20 X 1-1/4	8
43	10062	WASHER, FLAT 7/16 SAE	8
44	77008	BEARING, BALL 1" 4-HOLE FLANGE, ND	2
45	10450	WASHER, LOCK 7/16	8
46	10481	NUT 7/16-20	8
47	86004	SHAFT, DRIVEN 1" X 7.813"L	1
48	10301	KEY 1/4 SQ X 1-1/2	1
49	10063	PIN, ROLL 3/8 X 2	1
50	8888	DISC ASSY. COMPLETE, MULTI-ACCY. RH (REFER TO ILLUS. 4 FOR BREAKDOWN)	1



ILLUSTRATION 2 : MOTOR & BELT DRIVE GROUPING



PARTS LISTING - ILLUSTRATION 2 : MOTOR & BELT DRIVE GROUPING			
ITEM#	PART#	DESCRIPTION	QTY.
1	77028	SWITCH & WIRE HARNESS ASSY. (INCLUDES ITEMS 2-11)	1
2	77043	SWITCH, ROTARY CAM ON/OFF, LOVATO (INCLUDES (2) 1/2 NPT ADAPTERS)	1
3	41130	STRAIN RELIEF 1/2NPT X .550-.650"	2
4	77044	PLUG W/ 12/3 WIRE HARNESS, LOCKING	1
5	77042	BRACKET, SWITCH BOX, LOVATO	1
6	11663	SCREW, MACHINE 8-32 X 1/2 (LOCATED INSIDE SWITCH BOX)	4
7	10461	WASHER, LOCK, INT. TOOTH #8	4
8	10462	NUT 8-32	4
9	77045	WIRE HARNESS 12/3 X 39"LOA	1
10	91173	DECAL, OFF (HORZ.)	1
11	91174	DECAL, ON (VERT.)	1
12	10982	TIE, CABLE, BLACK NYLON 11-1/4"	2
13	41130	STRAIN RELIEF 1/2NPT X .550-.650"	1
14	10740	CONDUIT LOCK NUT 3/4 NP	1
15	40041	PLUG CONNECTOR, LOCKING 20A /125V	1
16	10877	SCREW, CAP STSHW 10-24 X 1/2	2
17	10831	WASHER, LOCK, INT. TOOTH #10	2
18	11566	CLAMP, LOOM, 1-3/4" (SAE SIZE 28)	1
19		MOTOR	1
	16035	LEESON 1.5HP-1P-60HZ-1740RPM-115/208-230V (SHOWN)	
	16019	BALDOR 2HP-1PH-50HZ 1425RPM-110/220V	
20	77037	MOUNT, MOTOR	1
21	10802	BOLT, CARRIAGE 3/8-16 X 1 FULL THD.	4
22	10025	WASHER, FLAT 3/8 SAE	4
23	10811	WASHER, LOCK 3/8	4
24	10404	NUT 3/8-16	4
25	10021	SCREW, CAP 3/8-24 X 1	4
26	10025	WASHER, FLAT 3/8 SAE	8
27	10811	WASHER, LOCK 3/8	4
28	10014	NUT 3/8-24	4
29	77017	SHEAVE 3"OD X 1GR.B X 7/8"BORE	1
30	-----	KEY 3/16SQ X 1-3/8"L (INCLUDED W/ MOTOR)	1
31	86009	SHEAVE 9"OD X 1GR.B X 1"BORE	1
32	10301	KEY 1/4 SQ X 1-1/2	1
33	10278	BELT BX-34 COG	1



