

STARTING SERIAL # 091210024

PARTS LIST MANUAL



Model SS24

SELF-PROPELLED CONCRETE & ASPHALT SAW

SKU NO.	MODEL NO.	POWER OPTION
38100	SS24-24H	HONDA GASOLINE ENGINE MODEL GX670



A Division of Equipment Development Company, Inc.

100 Thomas Johnson Drive, Frederick, MD 21702-4600 USA

Phone (301) 663-1600 • 1-800-638-3326

Fax (301) 663-1607 • 1-800-447-3326

Website: www.edcoinc.com

Email: sales@edcoinc.com

Printed in USA

JWA ©2009

READ AND UNDERSTAND THE OPERATORS INSTRUCTION MANUAL THOROUGHLY BEFORE ATTEMPTING TO OPERATE THIS EQUIPMENT. Death or serious injury could occur if this machine is used improperly.



SAFETY MESSAGES



The safety instructions are preceded by a graphic alert message of DANGER, WARNING, or CAUTION.



Indicates an imminent hazard which, if not avoided, will result in death or serious injury.



Indicates an imminent hazard which, if not avoided, can result in death or serious injury.



Indicates hazards which, if not avoided, could result in serious injury and or damage to the equipment.

GASOLINE Powered Equipment



- Do not operate gasoline powered equipment without adequate ventilation. Carbon monoxide is an invisible, odorless gas that can kill.

ELECTRICAL Powered Equipment



- ELECTRICAL HAZARD** - Be sure equipment is properly grounded. Failure to comply could kill or result in serious injury.



The engine exhaust from this product contains chemicals known to the State of California to cause cancer, birth defects or other reproductive harm.

GENERAL INSTRUCTIONS



- You must read and understand the operators instruction manual and all other manuals associated with this machine. For your safety and the safety of others around you, it is extremely important to fully understand how to operate this machine in the way it was intended. Different model machines or older/newer versions of the same model may have different parts and controls that you need to understand. If instructions are not readable or available DO NOT USE this machine and contact the factory for a replacement Manual.
- You must be able to physically handle the bulk weight and power of this machine. If not properly controlled this machine can cause death or serious injury.
- Do not operate this machine in an impaired mental state. You must be able to exercise good judgement and reactions to maintain a safe working environment.
- This is a "one person" machine which means only one operator can be operating the machine at any one time. For the safety of others, maintain a safe operating distance to other personnel. Your work area should be defined and appropriately marked so bystanders and coworkers do not stand or walk near this machine and end up seriously injured by flying debris or exposing them to harmful noise or dust.
- This equipment is for Commercial use. Although this is a "one person" machine your work team should understand how to shut this machine off and quickly get medical help if an accident strikes the operator.
- Keep all guards in place during operation. The guards are to provide protection from inadvertent contact with dangerous moving parts, pinch points, or hot surfaces.
- Wear appropriate Personal Protective Equipment (PPE) including safety glasses, safety boots, work gloves, respiratory protection, hearing protection, and head protection. Do not wear loose clothing that can get tangled in moving parts. Failure to do so could result

in dismemberment or death. **Wear an approved respirator when removing hazardous materials or when grinding/cutting dry materials. Some dust particles such as concrete dust can contain silicate particles which can cause silicosis (a very serious lung disease). Contact NIOSH or OSHA for further details. When wet grinding/cutting, avoid contact with the concrete/asphalt slurry which can cause serious skin irritations.**

- You must maintain this machine per the maintenance schedule in the operator manual. Remember before adjusting, servicing, or fueling this machine, disconnect the source of power to the machine by disconnecting the spark plug (Gas models), or by unplugging the electrical power cord (electric models) or air hose (Pneumatic models) AT THE MACHINE so you can assure yourself it remains unplugged while you are working on it. Do not modify this machine. Use only genuine EDCO parts and accessories. Repairs and service should be performed by approved EDCO dealers or authorized technicians.
- You should look carefully around the area before you begin work so you can identify potential hazards such as deck inserts, pipes, columns, openings, electrical cords or outlets, or any other objects protruding from the slab surface.
- This machine has no brain so you must use your own. There is no substitute for safety. The safety decals on the machine are to serve as a reminder for information you must already know before you begin using this machine. Take a moment to reread the safety decals each time you use the machine. If your machine is missing any decals, contact the factory for a replacement (EDCO 1-800-638-3326).

PARTS LIST MANUAL

Model SS24

TABLE OF CONTENTS

<u>Section</u>	<u>Page Number</u>
Safety Messages and General Instructions	2
How To Order Replacement Parts.	3
Illustration 1: Frame Grouping	4, 5
Illustration 2: Depth Control & Linkage Grouping	6, 7
Illustration 3: Blade Guard & Water Hook-Up Grouping	8, 9
Illustration 4: Abor Assembly	10, 11
Illustration 5: Transmission, Jackshaft & Rear Axle Grouping	12, 13
Illustration 6: Drive Lever & Linkage Grouping	14, 15
Illustration 7: Clutch Lever & Linkage Grouping	16, 17
Illustration 8: Engine & Fuel Tank Grouping	18, 19
Illustration 9: Battery Grouping	20
Illustration 10: Operating Controls	21
Illustration 11: Belt Drive Grouping	22, 23
Illustration 12: Guide Bar Grouping	24, 25
Illustration 13: Depth Gauge Grouping	26, 27
Illustration 14: Optional Water Pump Kit	28, 29
Illustration 15: Wiring Diagram	30, 31
Limited Equipment Warranty of Sale - Terms & Conditions	32 Back Page

HOW TO ORDER REPLACEMENT PARTS

- To insure product safety and reliability, always use genuine EDCO replacement parts when making repairs to the equipment.
- When calling for parts, specify the MODEL and SERIAL number of the machine, which can be found on the NAME PLATE. Keep that information in the space provided. In addition to this information, give part number, description, and quantity as listed on the parts list to your parts representative.
- Please note: Due to improvements and changes in the equipment, the illustrations shown may be different than the actual machine.

FILL IN INFORMATION BELOW

Date of Purchase _____

Model # _____

Serial # _____

SKU # _____



A Division of Equipment Development Company, Inc.

100 Thomas Johnson Drive, Frederick, MD 21702-4600 USA

Phone (301) 663-1600 • 1-800-638-3326

Fax (301) 663-1607 • 1-800-447-3326

Website: www.edcoinc.com

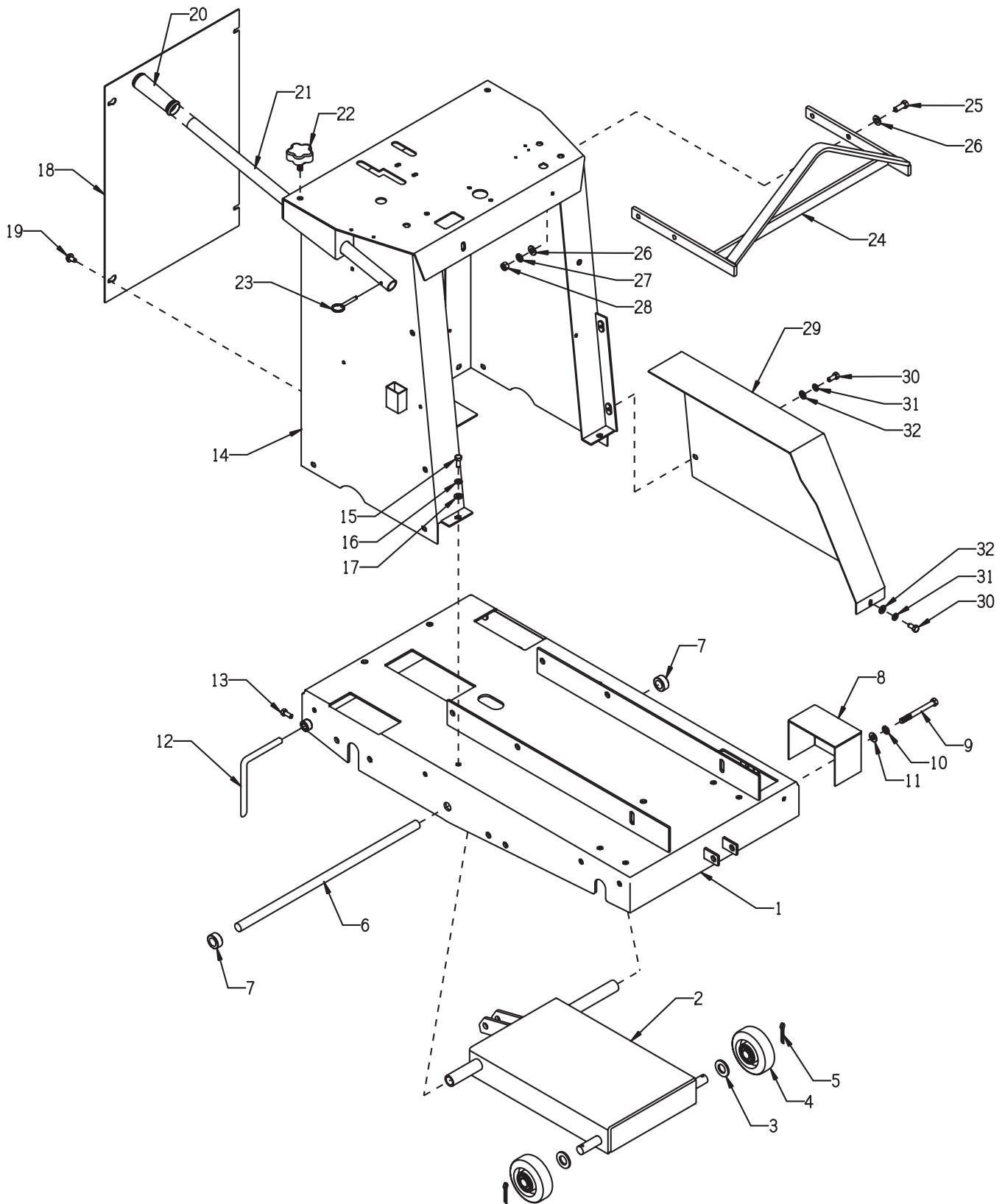
Email: sales@edcoinc.com

Printed in USA

JWA ©2009

Page 3

ILLUSTRATION 1: FRAME GROUPING



PARTS LISTING - ILLUSTRATION 1: FRAME GROUPING			
ITEM #	PART #	DESCRIPTION	QTY.
1	51401	MAIN FRAME, SS-24	1
2	51402	FORK, SS-24	1
3	10009	WASHER, FLAT 3/4 SAE	2
4	52001	WHEEL 4 X 1-1/2 X 3/4"BRG.	2
5	10306	PIN, COTTER 3/16 X 1-1/2	2
6	51403	SHAFT, FORK PIVOT, SS-24 3/4"DIA. X 21"L	1
7	10428	COLLAR, LOCKING 3/4"ID	2
8	51206	COVER, ARBOR, SS-16A/20/24	1
9	10318	SCREW, CAP 3/8-16 X 3-3/4	2
10	10811	WASHER, LOCK 3/8	2
11	10025	WASHER, FLAT 3/8 SAE	2
12	51011	GUIDE POINTER, REAR, SS MODELS	1
13	10018	SCREW, CAP 1/4-20 X 3/4	1
14	51404	CONSOLE, SS-24	1
15	10053	SCREW, CAP 5/16-18 X 3/4	8
16	10801	WASHER, LOCK 5/16	8
17	10213	WASHER, FLAT 5/16 SAE	8
18	51408	CONSOLE REAR PANEL, SS-24	1
19	10846	SCREW, CAP STSHW 1/4-20 X 1/2	4
20	10608	GRIP, HAND 1" MODEL AT	2
21	51024	HANDLE BAR 24", ZINC PLATED	2
22	51230	KNOB, STAR CLAMPING 3/8-16 X 1"STUD	2
23	10145	PIN, DETENT RING 3/16 X 1-5/16 E.L.	2
24	51405	LIFTING BAIL, SS-24	1
25	10021	SCREW, CAP 3/8-24 X 1	4
26	10025	WASHER, FLAT 3/8 SAE	8
27	10811	WASHER, LOCK 3/8	4
28	10014	NUT 3/8-24	4
29	51406	COVER, BELT, SS-24	1
30	10018	SCREW, CAP 1/4-20 X 3/4	3
31	10038	WASHER, LOCK 1/4	3
32	10602	WASHER, FLAT 1/4 SAE	3



A Division of Equipment Development Company, Inc.

100 Thomas Johnson Drive, Frederick, MD 21702-4600 USA

Phone (301) 663-1600 • 1-800-638-3326

Fax (301) 663-1607 • 1-800-447-3326

Website: www.edcoinc.com

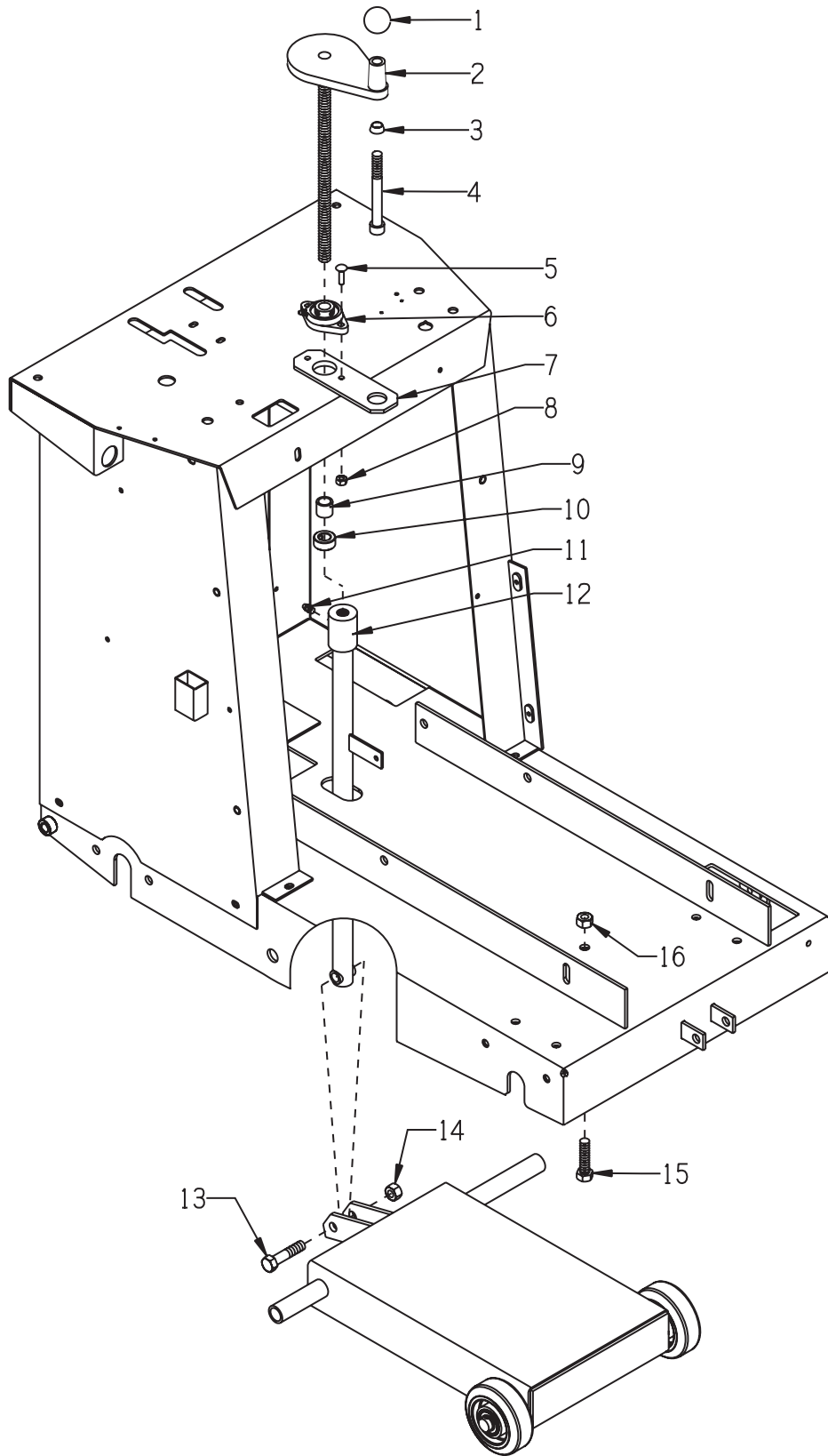
Email: sales@edcoinc.com

Printed in USA

JWA ©2009

Page 5

ILLUSTRATION 2 : DEPTH CONTROL & LINKAGE GROUPING



PARTS LISTING - ILLUSTRATION 2 : DEPTH CONTROL & LINKAGE GROUPING			
ITEM #	PART #	DESCRIPTION	QTY.
1	14023	KNOB, BALL 1-3/8 W/ 1/2-13THD, BLK.	1
2	51075	HANDWHEEL, LARGE W/ 5/8-8 X 13"ROD	1
3	50550	SLEEVE, BRASS 1/2" TAPERED	1
4	10346	SCREW, SKT. HD. CAP 1/2-13 X 4-1/2	1
5	10412	BOLT, CARRIAGE 1/4-20 X 1 FULL THD.	2
6	80009	BEARING, BALL 5/8" 2-HOLE (NO G.F.)	1
7	51426	DEPTH LOCK	1
8	10861	NUT, KEPS 1/4-20	2
9	55010	SPACER, HANDWHEEL 5/8"ID X 3/4"L	1
10	10096	COLLAR, LOCKING 5/8"ID	1
11	10808	FITTING, GREASE 1/4-28 STRAIGHT	1
12	51412	LINKAGE, CUT CONTROL, SS-24	1
13	10347	SCREW, CAP 1/2-20 X 2-1/4	1
14	10154	NUT, HEX NYLON LOCK 1/2-20	1
15	11718	BOLT, TAP 1/2-13 X 2-1/2 (FULL THD)	1
16	10417	NUT 1/2-13	1



A Division of Equipment Development Company, Inc.

100 Thomas Johnson Drive, Frederick, MD 21702-4600 USA

Phone (301) 663-1600 • 1-800-638-3326

Fax (301) 663-1607 • 1-800-447-3326

Website: www.edcoinc.com

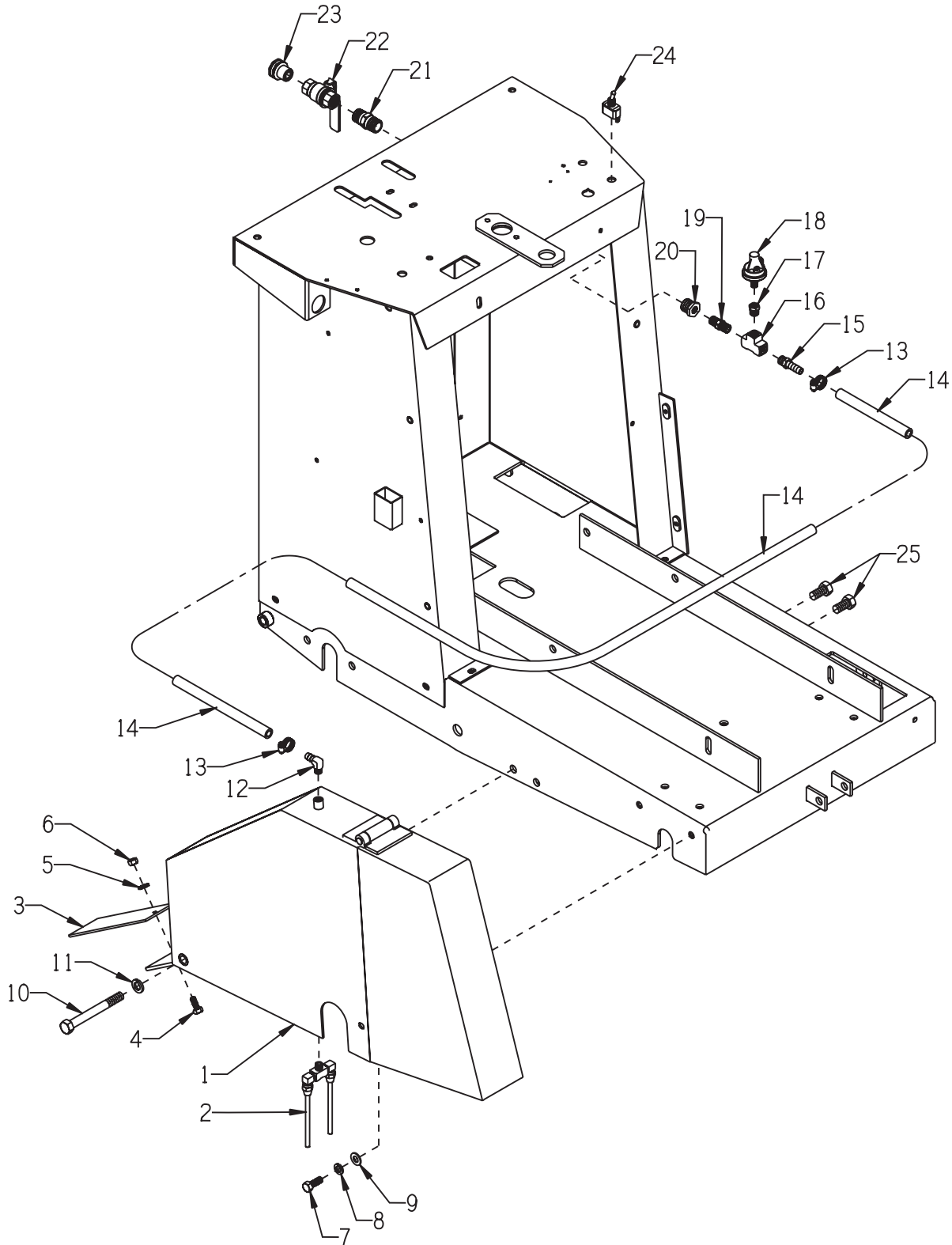
Email: sales@edcoinc.com

Printed in USA

JWA ©2009

Page 7

ILLUSTRATION 3:
BLADE GUARD & WATER HOOK-UP GROUPING



PARTS LISTING - ILLUSTRATION 3: BLADE GUARD & WATER HOOK-UP GROUPING			
ITEM #	PART #	DESCRIPTION	QTY.
1	51407	GUARD, BLADE 24", SS-24	1
2	51026	NOZZLE, COOLANT 1/8MPT W/ 6" TUBES	1
3	41115	FLAP, RUBBER 2-1/2 X 8	1
4	10053	SCREW, CAP 5/16-18 X 3/4	1
5	10213	WASHER, FLAT 5/16 SAE	1
6	10151	NUT, HEX NYLON LOCK 5/16-18	1
7	10055	SCREW, CAP 3/8-16 X 1	1
8	10811	WASHER, LOCK 3/8	1
9	10025	WASHER, FLAT 3/8 SAE	1
10	10409	SCREW, CAP 1/2-20 X 4-1/2	1
11	10045	WASHER, LOCK 1/2	1
12	11562	BARB ELBOW 90, 3/8 HOSE X 1/8 MPT	1
13	50069	CLAMP, HOSE, SAE #6, ADJ. TO 13/16	2
14	51424	HOSE, WATER 3/8" ID X 66" L	1
15	50075	BARB, 3/8 HOSE X 1/4 MPT (BRASS)	1
16	10719	PIPE TEE, FEMALE 1/4 NPT (BRASS)	1
17	10718	BUSHING, HEX 1/4 X 1/8 NPT (BRASS)	1
18	51030	SWITCH, PRESSURE, MAG. IGN., N.C.	1
19	10717	NIPPLE, HEX 1/4 NPT (BRASS)	1
20	51236	BUSHING, HEX 1/2 X 1/4 NPT (BRASS)	1
21	10679	NIPPLE, HEX 1/2 NPT (BRASS)	1
22	10711	VALVE, BALL 1/2 FPT	1
23	80021	CONN., SWIVEL FEM. 3/4 HOSE X 1/2 MPT	1
24	10633	SWITCH, TOGGLE SPST 15/10A-115/250V	1
25	10304	SCREW, CAP 1/2-20 X 1	2



A Division of Equipment Development Company, Inc.

100 Thomas Johnson Drive, Frederick, MD 21702-4600 USA

Phone (301) 663-1600 • 1-800-638-3326

Fax (301) 663-1607 • 1-800-447-3326

Website: www.edcoinc.com

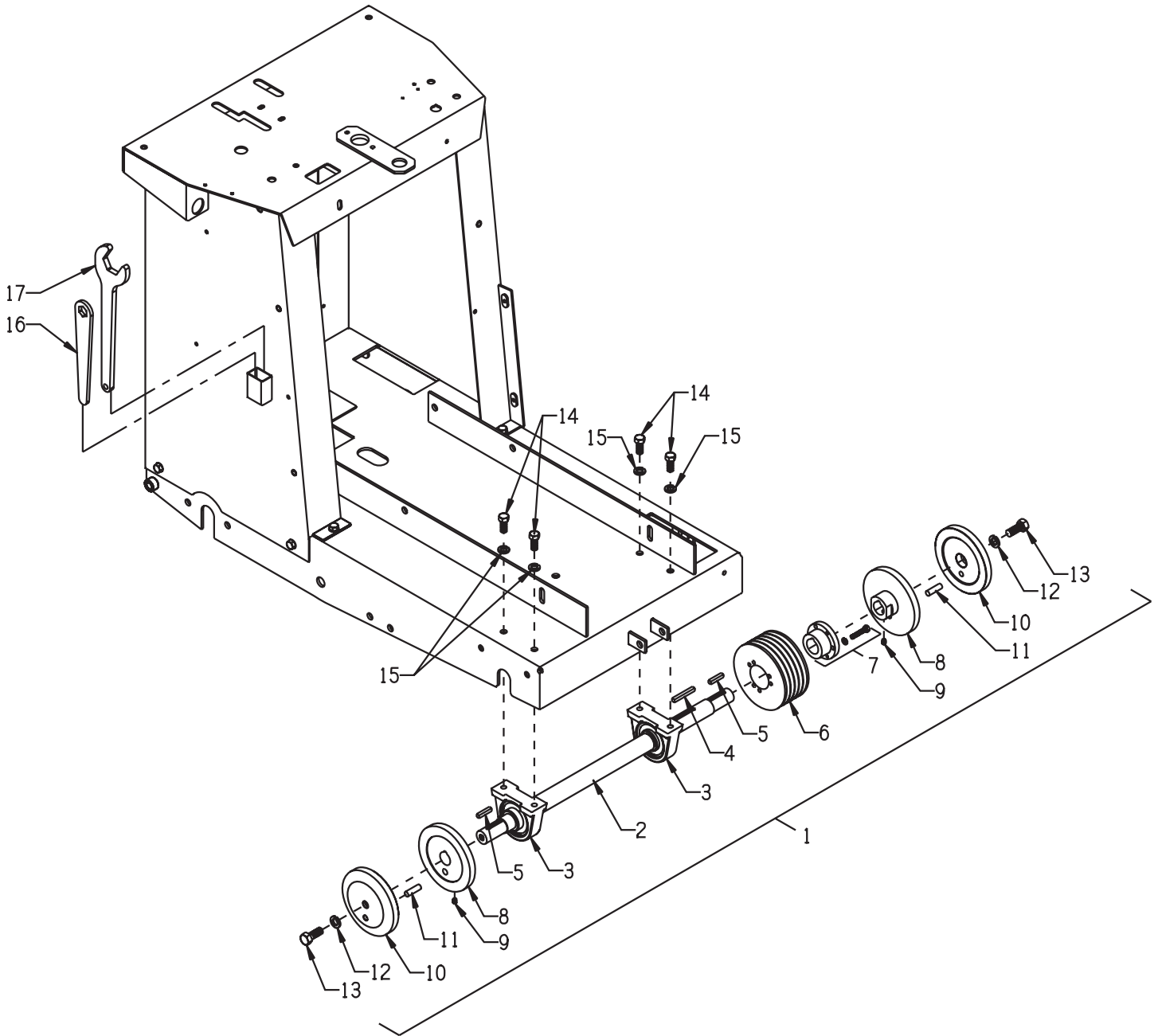
Email: sales@edcoinc.com

Printed in USA

JWA ©2009

Page 9

ILLUSTRATION 4: ARBOR ASSEMBLY



PARTS LISTING			
ILLUSTRATION 4: ARBOR ASSEMBLY			
ITEM #	PART #	DESCRIPTION	QTY.
1	51413A	ARBOR ASSEMBLY, SS-24 (INCLUDES ITEMS 2 THRU 13)	1
2	51413	ARBOR SHAFT, SS-24	1
3	53020	BEARING, BALL 1-1/8" TPB	2
4	10115	KEY 1/4SQ X 2	1
5	10305	KEY 1/4SQ X 1-1/4	2
*6	51420	SHEAVE 5"OD X 5GR.3V X SDS	1
*7	10558	BUSHING, SHEAVE SDS X 1-1/8"BORE	1
8	50427	ARBOR BACKING PLATE 5"	2
9	10161	SCREW, SET 1/4-28 X 5/16	2
10	51415	ARBOR BLADE RETAINING CAP 5", SS-24	2
11	10129	PIN, SHEAR PROOF 3/8 X 1-1/4	2
12	10045	WASHER, LOCK 1/2	2
13	10321	SCREW, CAP 1/2-20 X 1-1/4	2
14	53033	SCREW, CAP 7/16-14 X 7/8	4
15	10450	WASHER, LOCK 7/16	4
16	53021	WRENCH, ARBOR, 3/4" BOX END	1
17	50445	WRENCH, ARBOR, 1-1/2" OPEN END	1
*NOTE: ITEMS 6 & 7 WERE REVISED IN JAN. 2010. THE SHEAVE (ITEM 6) WAS AN SH STYLE AND REQUIRED AN SH STYLE BUSHING (ITEM 7) PART # 10547.			



A Division of Equipment Development Company, Inc.

100 Thomas Johnson Drive, Frederick, MD 21702-4600 USA

Phone (301) 663-1600 • 1-800-638-3326

Fax (301) 663-1607 • 1-800-447-3326

Website: www.edcoinc.com

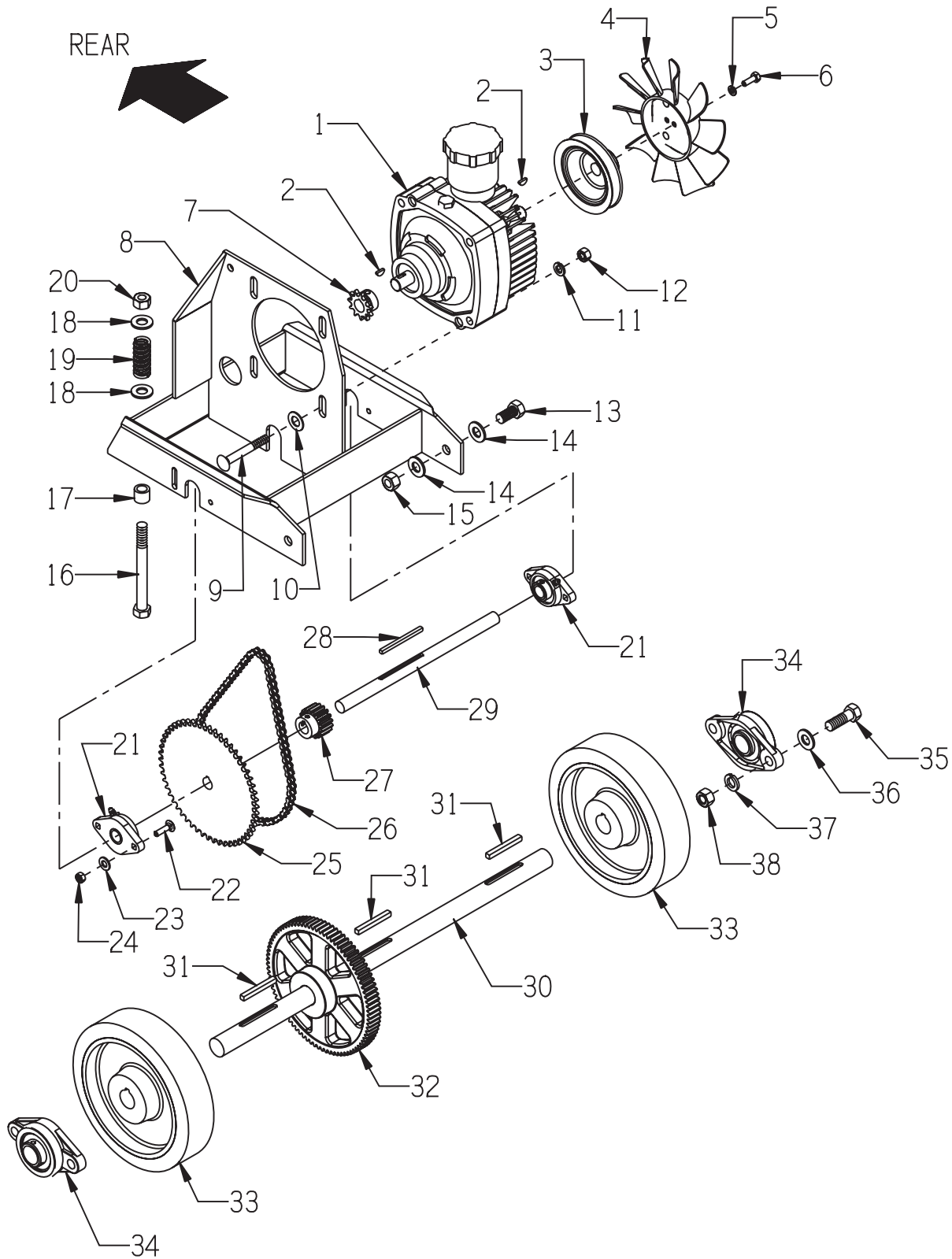
Email: sales@edcoinc.com

Printed in USA

JWA ©2009

Page 11

**ILLUSTRATION 5:
TRANSMISSION, JACKSHAFT & REAR AXLE GROUPING**



PARTS LISTING - ILLUSTRATION 5: TRANSMISSION, JACKSHAFT & REAR AXLE GROUPING			
ITEM #	PART #	DESCRIPTION	QTY.
1	50061	TRANSMISSION, HYDROSTATIC	1
2	50071	KEY, WOODRUFF 1/8 X 1/2 (#404)	2
3	50062	SHEAVE, TRANS. 4"OD X 1GR. X .671"B	1
4	50266	FAN BLADE W/ PLATE 7", TRANSMISSION	1
5	10038	WASHER, LOCK 1/4	1
6	10018	SCREW, CAP 1/4-20 X 3/4	1
7	50048	SPROCKET #3511 X .67"BORE	1
8	51409	MOUNT, TRANSMISSION, SS-24	1
9	10909	BOLT, CARRIAGE 3/8-16 X 3 FULL THD	4
10	10040	WASHER, GARRET 17/32 X 1 X .054	4
11	10811	WASHER, LOCK 3/8	4
12	10404	NUT 3/8-16	4
13	10304	SCREW, CAP 1/2-20 X 1 (1 SIDE ONLY, SEE ILLUS. 11)	1
14	10312	WASHER, FLAT 1/2 SAE (1 SIDE ONLY, SEE ILLUS. 11)	2
15	10205	NUT, LOCK 1/2-20 (1 SIDE ONLY, SEE ILLUS. 11)	1
16	81001 10376	SCREW, CAP 1/2-13 X 4 SCREW, CAP 1/2-13 X 5	1 1
17	41045	SPACER 3/4"OD X 1/2"ID X 5/8"L	2
18	10312	WASHER, FLAT 1/2 SAE	4
19	51035	SPRING, COMP. .828"OD X 2"FL	2
20	10155	NUT, HEX NYLON LOCK 1/2-13	2
21	80009G	BEARING, BALL 5/8" 2-HOLE (W/ G.F.)	2
22	10412	BOLT, CARRIAGE 1/4-20 X 1 FULL THD.	4
23	10602	WASHER, FLAT 1/4 SAE	4
24	10861	NUT, KEPS 1/4-20	4
25	51421	SPROCKET #35B54 X 5/8"BORE W/ KW	1
26	51428	CHAIN #35 X 25" + CL	1
27	51417M	GEAR, SPUR 17 TOOTH, SS-24	1
28	10088	KEY 3/16SQ X 2-1/2	1
29	51410	JACKSHAFT, SS-24 5/8 X 10-3/4	1
30	51411	AXLE, REAR, SS-24 1 X 22-3/4	1
31	10307	KEY 1/4SQ X 2-1/4	3
32	78005M	GEAR, SPUR 84 TOOTH, SS-24	1
33	50098	WHEEL 8 X 2 X 1"BORE	2
34	62022	BEARING, BALL 1" 2-HOLE FLANGE	2
35	10321	SCREW, CAP 1/2-20 X 1-1/4	4
36	10312	WASHER, FLAT 1/2	4
37	10045	WASHER, LOCK 1/2	4
38	10072	NUT 1/2-20	4



A Division of Equipment Development Company, Inc.

100 Thomas Johnson Drive, Frederick, MD 21702-4600 USA

Phone (301) 663-1600 • 1-800-638-3326

Fax (301) 663-1607 • 1-800-447-3326

Website: www.edcoinc.com

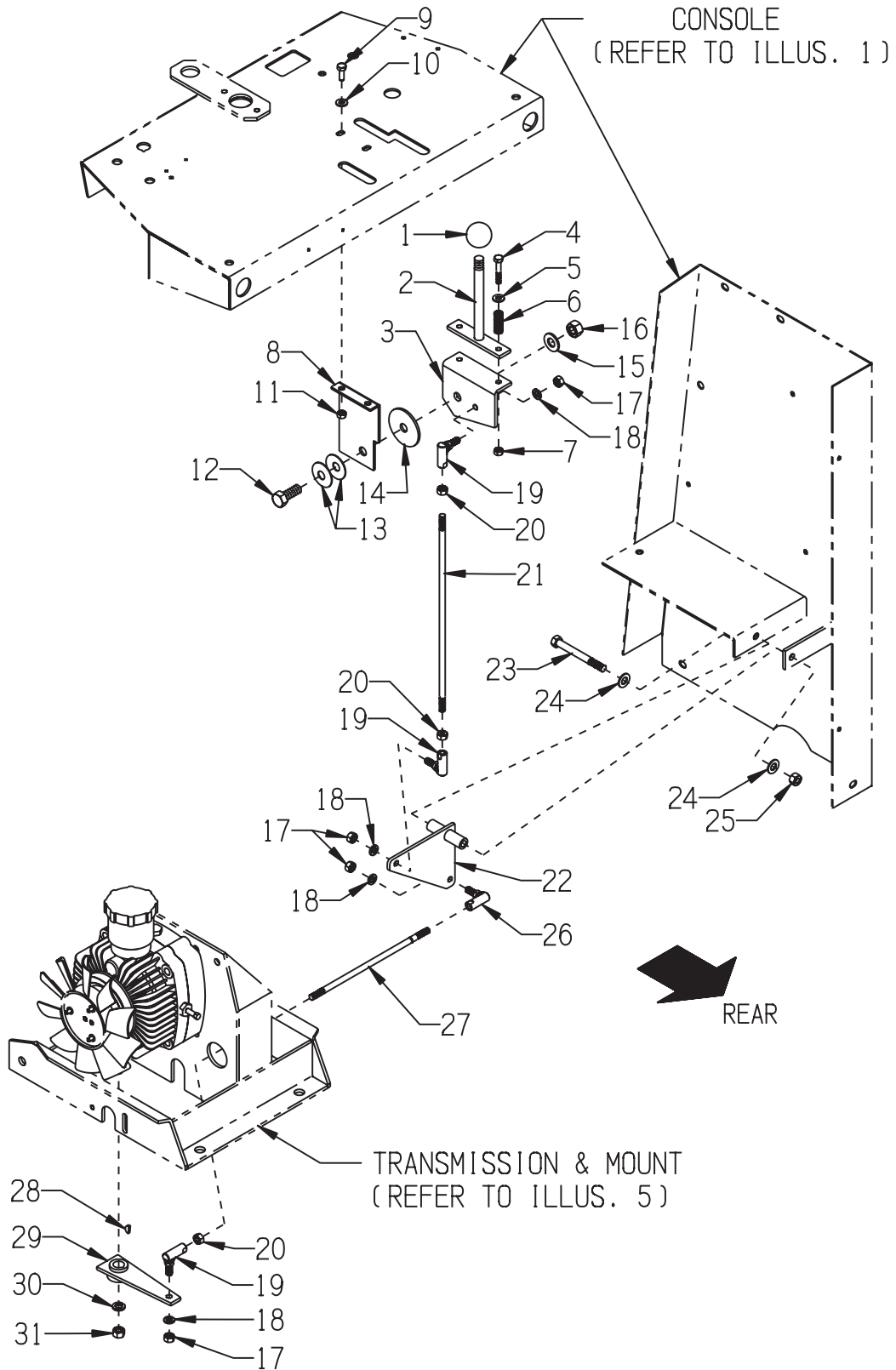
Email: sales@edcoinc.com

Printed in USA

JWA ©2009

Page 13

**ILLUSTRATION 6:
DRIVE LEVER & LINKAGE GROUPING**



PARTS LISTING - ILLUSTRATION 6:
DRIVE LEVER & LINKAGE GROUPING

ITEM #	PART #	DESCRIPTION	QTY.
1	14023	KNOB, BALL 1-3/8 W/ 1/2-13THD, BLK.	1
2	51210	LEVER, DRIVE	1
3	51235	PLATE, DRIVE LEVER PRESSURE	1
4	10315	SCREW, CAP 1/4-20 X 1-1/2	2
5	10602	WASHER, FLAT 1/4 SAE	2
6	57471	SPRING, COMP. .468"OD X 1.25"FL	2
7	10150	NUT, HEX NYLON LOCK 1/4-20	2
8	51211	MOUNT BRKT., DRIVE LEVER	1
9	10018	SCREW, CAP 1/4-20 X 3/4	2
10	10602	WASHER, FLAT 1/4 SAE	2
11	10150	NUT, HEX NYLON LOCK 1/4-20	2
12	10321	SCREW, CAP 1/2-20 X 1-1/4	1
13	10426	WASHER, BELLEVILLE 1/2ID X 3/64THK	2
14	50428	WASHER, FIBER 2-1/4OD X 1/2ID X 1/8	1
15	10312	WASHER, FLAT 1/2 SAE	1
16	10205	NUT, LOCK 1/2-20	1
17	10424	NUT 5/16-24	4
18	10801	WASHER, LOCK 5/16	4
19	10840	BALL JOINT ASSY. 5/16-24 R.H. THRD.	3
20	10424	NUT 5/16-24	3
21	51212	LINKAGE, ROD 5/16 X 13"L	1
22	51214	BELL CRANK, DRIVE LINKAGE	1
23	10382	SCREW, CAP 3/8-24 X 3-1/2	1
24	10025	WASHER, FLAT 3/8 SAE	2
25	10004	NUT, LOCK 3/8-24	1
26	10840L	BALL JOINT ASSY. 5/16-24 L.H. THRD.	1
27	51213	LINKAGE, ROD 5/16 X 9"L	1
28	50071	KEY, WOODRUFF 1/8 X 1/2 (#404)	1
29	51223	TRANS. CONTROL ARM	1
30	10811	WASHER, LOCK 3/8	1
31	10404	NUT 3/8-16	1



A Division of Equipment Development Company, Inc.

100 Thomas Johnson Drive, Frederick, MD 21702-4600 USA

Phone (301) 663-1600 • 1-800-638-3326

Fax (301) 663-1607 • 1-800-447-3326

Website: www.edcoinc.com

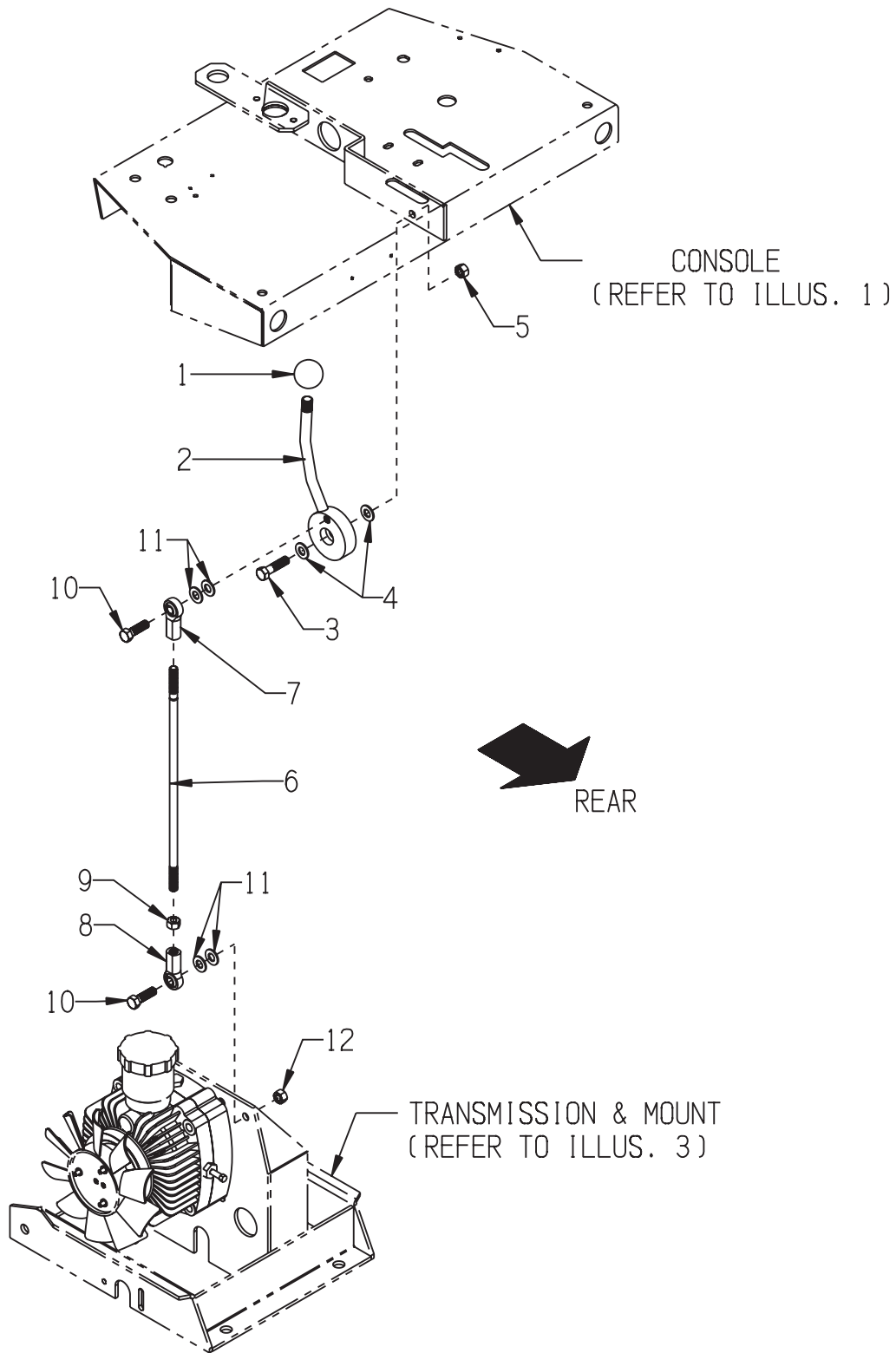
Email: sales@edcoinc.com

Printed in USA

JWA ©2009

Page 15

**ILLUSTRATION 7:
CLUTCH LEVER & LINKAGE GROUPING**



PARTS LISTING - ILLUSTRATION 7:
CLUTCH LEVER & LINKAGE GROUPING

ITEM #	PART #	DESCRIPTION	QTY.
1	14023	KNOB, BALL 1-3/8 W/ 1/2-13THD, BLK.	1
2	51215	LEVER, CLUTCH, SS-20/24	1
3	10816	SCREW, CAP 3/8-24 X 1-1/2	1
4	10025	WASHER, FLAT 3/8 SAE	2
5	10004	NUT, LOCK 3/8-24	1
6	51216	LINKAGE, ROD 3/8 X 13"L, SS-20/24	1
7	10919L	ROD END, FEMALE 3/8-24 L.H. THREAD	1
8	10919	ROD END, FEMALE 3/8-24 R.H. THREAD	1
9	10014	NUT 3/8-24	1
10	10309	SCREW, CAP 3/8-24 X 1-1/4	2
11	10025	WASHER, FLAT 3/8 SAE	2
12	10004	NUT, LOCK 3/8-24	1



A Division of Equipment Development Company, Inc.

100 Thomas Johnson Drive, Frederick, MD 21702-4600 USA

Phone (301) 663-1600 • 1-800-638-3326

Fax (301) 663-1607 • 1-800-447-3326

Website: www.edcoinc.com

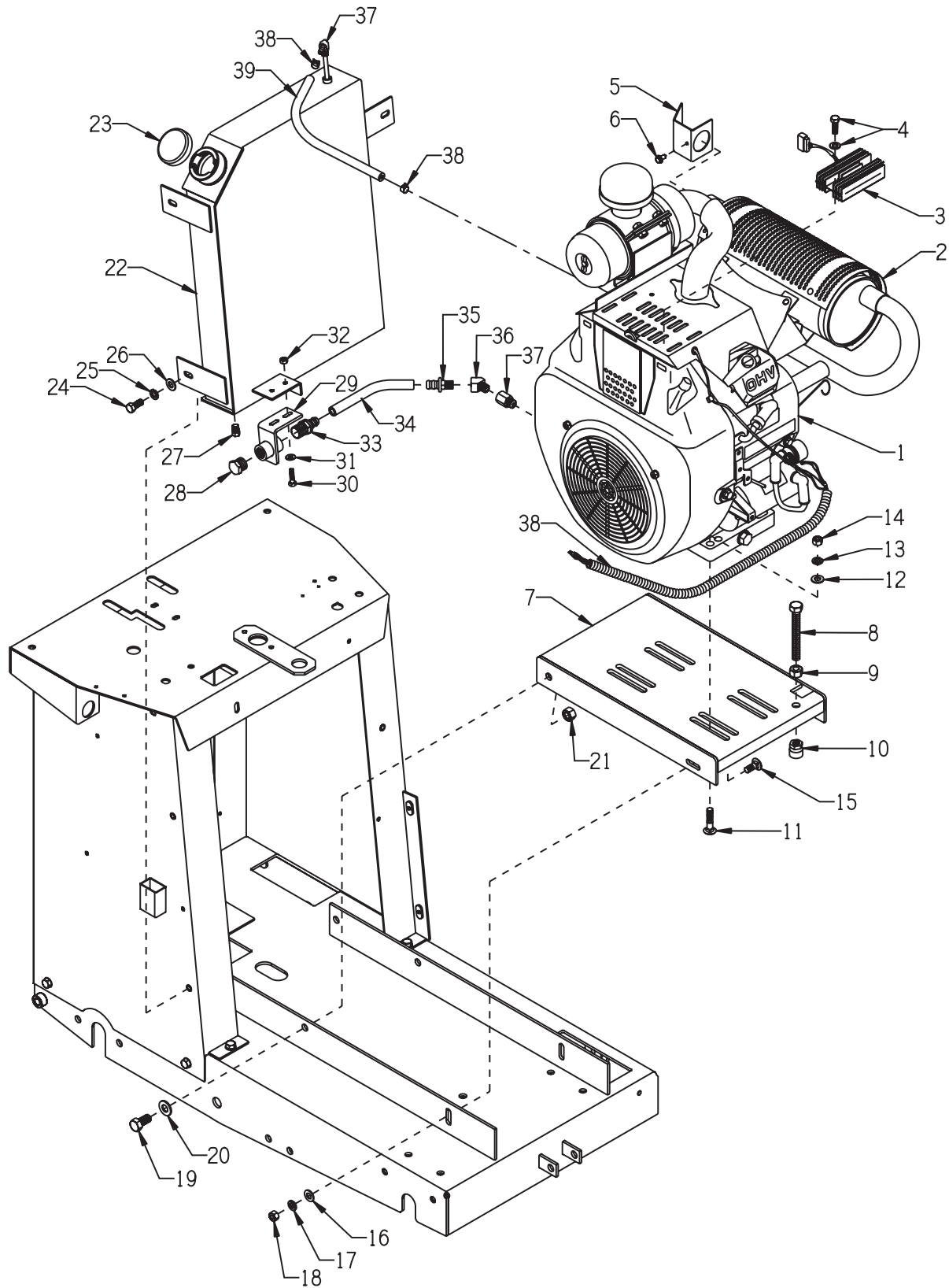
Email: sales@edcoinc.com

Printed in USA

JWA ©2009

Page 17

ILLUSTRATION 8 : ENGINE & FUEL TANK GROUPING



PARTS LISTING - ILLUSTRATION 8: ENGINE & FUEL TANK GROUPING			
ITEM #	PART #	DESCRIPTION	QTY.
1	15055	ENGINE, HONDA GX670-TXA2	1
2	15165	MUFFLER, HONDA VHRM4	1
3	-----	RECTIFIER/REGULATOR (INCLUDE W/ ENGINE)	-
4	10031	SCREW, CAP 1/4-20 X 1	2
	10602	WASHER, FLAT 1/4 SAE	2
	10150	NUT, HEX NYLON LOCK 1/4-20 (NOT SHOWN)	2
5	51418	DEFLECTOR, EXHAUST	1
6	10877	SCREW, CAP STSHW 10-24 X 1/2	1
7	51208	MOUNT, ENGINE	1
8	10392	BOLT, TAP 1/2-13 X 4 (FULL THREAD)	1
9	10417	NUT 1/2-13	1
10	50710	TOGGLE PAD 7/8"D X 15/16"H X 1/2-13	1
11	10087	BOLT, CARRIAGE 3/8-16 X 1-3/4 F.T.	4
12	10025	WASHER, FLAT 3/8 SAE	4
13	10811	WASHER, LOCK 3/8	4
14	10404	NUT 3/8-16	4
15	10802	BOLT, CARRIAGE 3/8-16 X 1 FULL THD.	2
16	10025	WASHER, FLAT 3/8 SAE	2
17	10811	WASHER, LOCK 3/8	2
18	10404	NUT 3/8-16	2
19	10304	SCREW, CAP 1/2-20 X 1	2
20	10312	WASHER, FLAT 1/2 SAE	2
21	10205	NUT, LOCK 1/2-20	2
22	51416	TANK, FUEL	1
23	61056	CAP, FUEL TANK	1
24	10907	SCREW, CAP 3/8-16 X 3/4	3
25	10811	WASHER, LOCK 3/8	3
26	10025	WASHER, FLAT 3/8 SAE	3
27	11650	PIPE PLUG 1/8 NPT (BRASS)	1
28	50552	PIPE PLUG 1/2 NPT (BRASS)	1
29	57159	BRACKET, OIL DRAIN	1
30	10018	SCREW, CAP 1/4-20 X 3/4	2
31	10602	WASHER, FLAT 1/4 SAE	2
32	10861	NUT, KEPS 1/4-20	2
33	80061	BARB, PUSH-ON 1/2HOSE X 1/2MPT	1
34	51237	HOSE, PUSH-ON 1/2"ID X 7"L	1
35	11579	BARB, PUSH-ON 1/2HOSE X 1/4 MPT	1
36	10716	ELBOW, STREET 1/4NPT X 45 (BRASS)	1
37	11533	FITTING,ADPTR 6-M14X1.5 TO1/4-18MPT	1
38	51429	LOOM, FLEX 5/8 X 50"L	1
39	51427	HOSE, FUEL 1/4"ID X 13"L	1



A Division of Equipment Development Company, Inc.

100 Thomas Johnson Drive, Frederick, MD 21702-4600 USA

Phone (301) 663-1600 • 1-800-638-3326

Fax (301) 663-1607 • 1-800-447-3326

Website: www.edcoinc.com

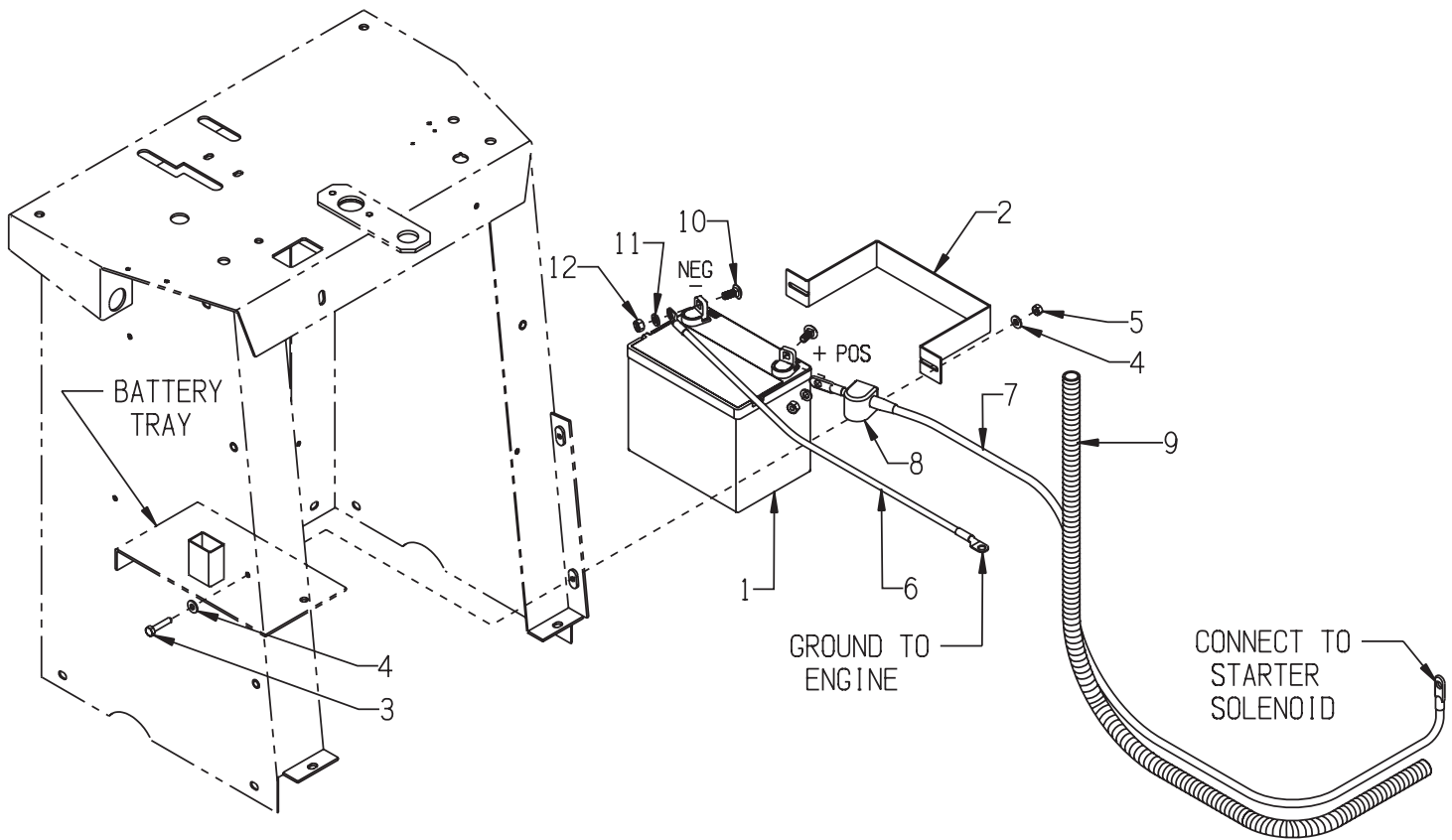
Email: sales@edcoinc.com

Printed in USA

JWA ©2009

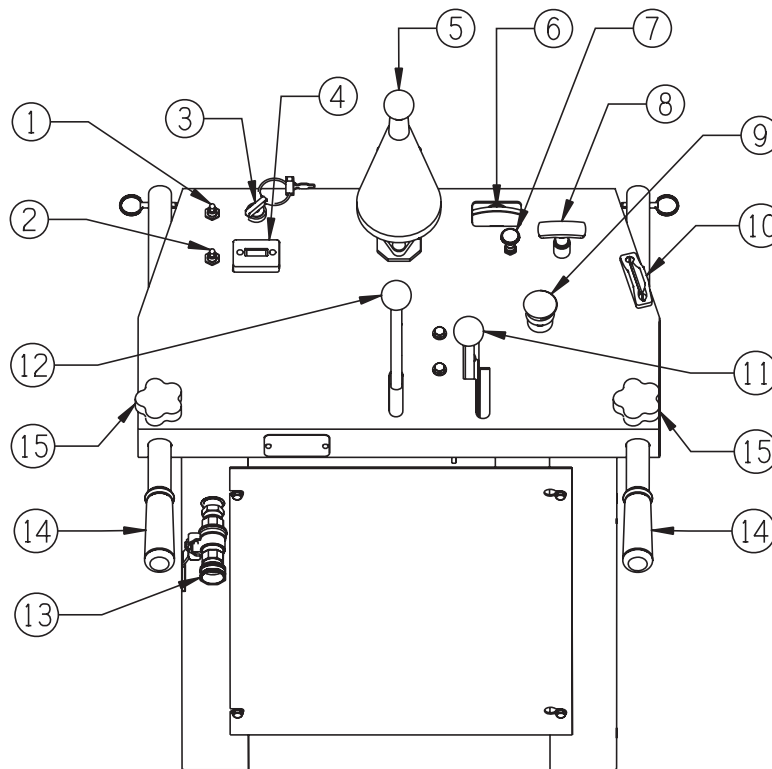
Page 19

ILLUSTRATION 9 : BATTERY GROUPING



ITEM #	PART #	DESCRIPTION	QTY.
1	84011	BATTERY 12 VOLT/300 CCA(SMALL ENG.)	1
2	50091	CLAMP, BATTERY HOLD DOWN	1
3	10905	SCREW, CAP 1/4-20 X 1-1/4	2
4	10602	WASHER, FLAT 1/4 SAE	4
5	10150	NUT, HEX NYLON LOCK 1/4-20	2
6	50117B	CABLE, EYE-EYE 4GA. X 24" (BLACK)	1
7	51425	CABLE, EYE-EYE 4GA. X 50" (RED)	1
8	11583	INSULATOR, BAT.TERM. U-1 STYLE(RED)	1
9	10926	LOOM, FLEX 5/8" (U/M = FT.)	5 FT.
10	10818	BOLT, CARRIAGE 5/16-18 X 3/4 F.T.	2
11	10801	WASHER, LOCK 5/16	2
12	10054	NUT 5/16-18	2

ILLUSTRATION 10 : OPERATING CONTROLS



ITEM #	PART #	DESCRIPTION	QTY.
1	10633	BLADE SAVER SWITCH (ILLUS. 3, ITEM 24)	1
2	10633	WATER PUMP SWITCH (OPTIONAL, ILLUS. 14)	1
3	15163 15137	IGNITION SWITCH (INCLUDED W/ ENGINE) KEY (2 INCLUDED W/ ENGINE OR SWITCH)	1
4	15138	METER, HOUR, REDINGTON INDUCTIVE	1
5	-----	DEPTH CONTROL (ILLUS. 2)	1
6	-----	DEPTH GAUGE (ILLUS. 13)	1
7	15129	CHOKE CONTROL, CABLE (CUT 44"LOA)	1
8	51081	THROTTLE CONTROL CABLE (CUT 43"LOA)	1
9	15147	SWITCH PUSHBUTTON ONLY, E-STOP	1
	15148	SWITCH ASSY. CLIP ONLY, E-STOP	1
	15167	SWITCH CONTACT BLOCK, N.C. E-STOP	1
10	11591	GUIDE ROPE CLEAT (ILLUS. 12, ITEM 10)	1
11	-----	DRIVE CONTROL LEVER (ILLUS. 6)	1
12	-----	CLUTCH CONTROL LEVER (ILLUS. 7)	1
13	-----	WATER HOOK-UP & VALVE (ILLUS. 3)	1
14	-----	EXTENDABLE HANDLES (ILLUS. 1)	2
15	51230	HANDLE LOCK (ILLUS. 1)	2



A Division of Equipment Development Company, Inc.

100 Thomas Johnson Drive, Frederick, MD 21702-4600 USA

Phone (301) 663-1600 • 1-800-638-3326

Fax (301) 663-1607 • 1-800-447-3326

Website: www.edcoinc.com

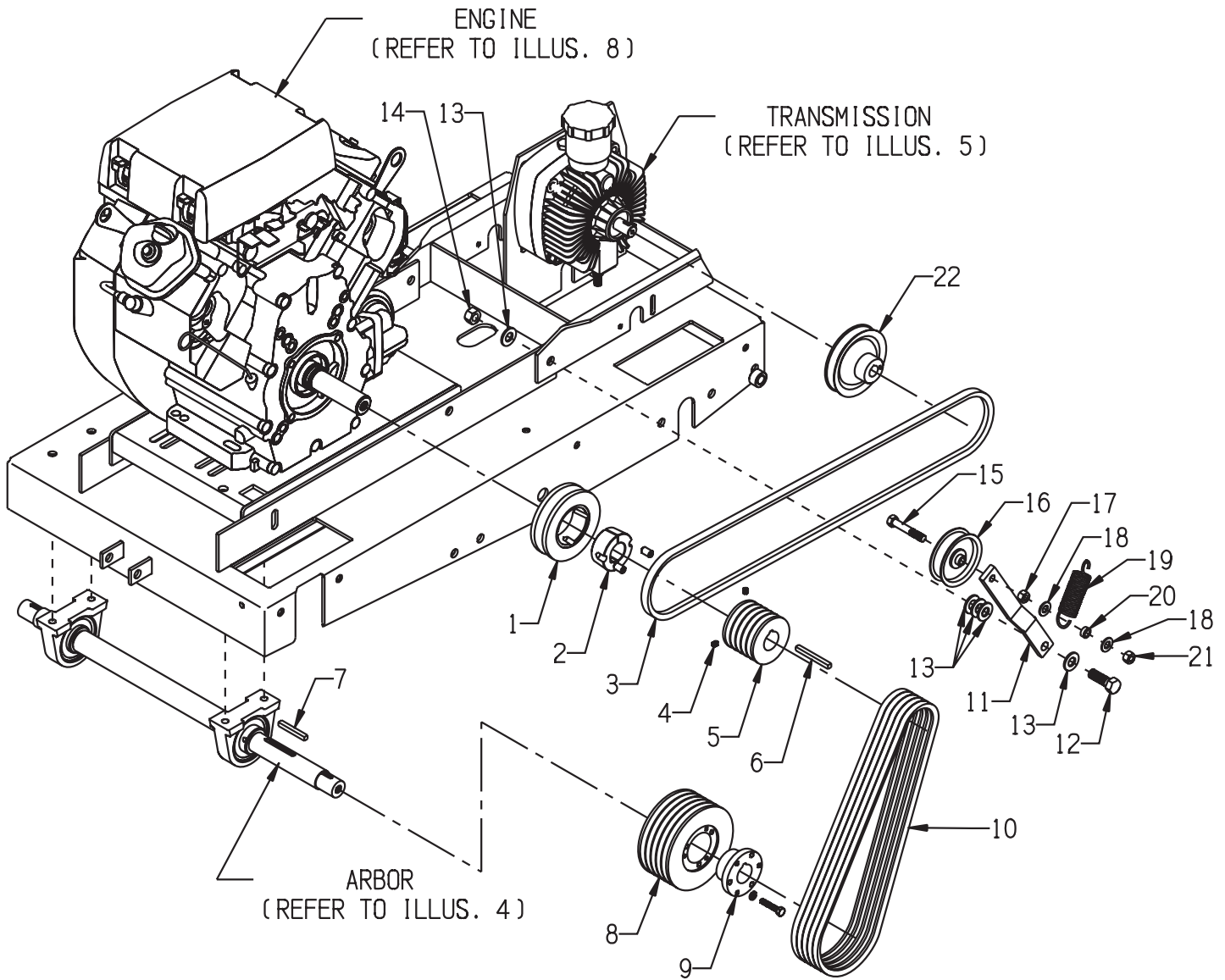
Email: sales@edcoinc.com

Printed in USA

JWA ©2009

Page 21

ILLUSTRATION 11: BELT DRIVE GROUPING



PARTS LISTING - ILLUSTRATION 11: BELT DRIVE GROUPING			
ITEM #	PART #	DESCRIPTION	QTY.
1	10528	SHEAVE 4.15"OD X 1GR.AB X TPR-LOCK	1
2	10529	BUSHING, SHEAVE TAPER-LOCK 1-1/8"B	1
3	10267	BELT AP-57 OR A-57	1
4	10139	SCREW, SET 1/4-20 X 5/16	2
5	51419	SHEAVE 2.8"OD X 5GR.3V X 1-1/8"B	1
6	10071	KEY 1/4SQ X 2-1/2	1
7	10115	KEY 1/4SQ X 2	1
8	51420	SHEAVE 5"OD X 5GR.3V X SH	1
9	10547	BUSHING, SHEAVE SH X 1-1/8"BORE (INCLUDES HARDWARE)	1
10	10276	BELT 3VX-355	5
11	51052	IDLER ARM	1
12	10308	SCREW, CAP 1/2-20 X 1-1/2	1
13	10312	WASHER, FLAT 1/2 SAE	5
14	10205	NUT, LOCK 1/2-20	1
15	10336	SCREW, CAP 3/8-24 X 2-1/4	1
16	51226	IDLER PULLEY 2.75 X 3/4FLAT X 3/8	1
17	10014	NUT 3/8-24	1
18	10025	WASHER, FLAT 3/8 SAE	2
19	50074	SPRING, EXT. 1"OD X 3-15/16	1
20	10113	SPACER, STEEL 9/16OD X 3/8ID X 7/32	1
21	10004	NUT, LOCK 3/8-24	1
22	50062	SHEAVE, TRANS. 4"OD X 1GR. X .671"B	1



A Division of Equipment Development Company, Inc.

100 Thomas Johnson Drive, Frederick, MD 21702-4600 USA

Phone (301) 663-1600 • 1-800-638-3326

Fax (301) 663-1607 • 1-800-447-3326

Website: www.edcoinc.com

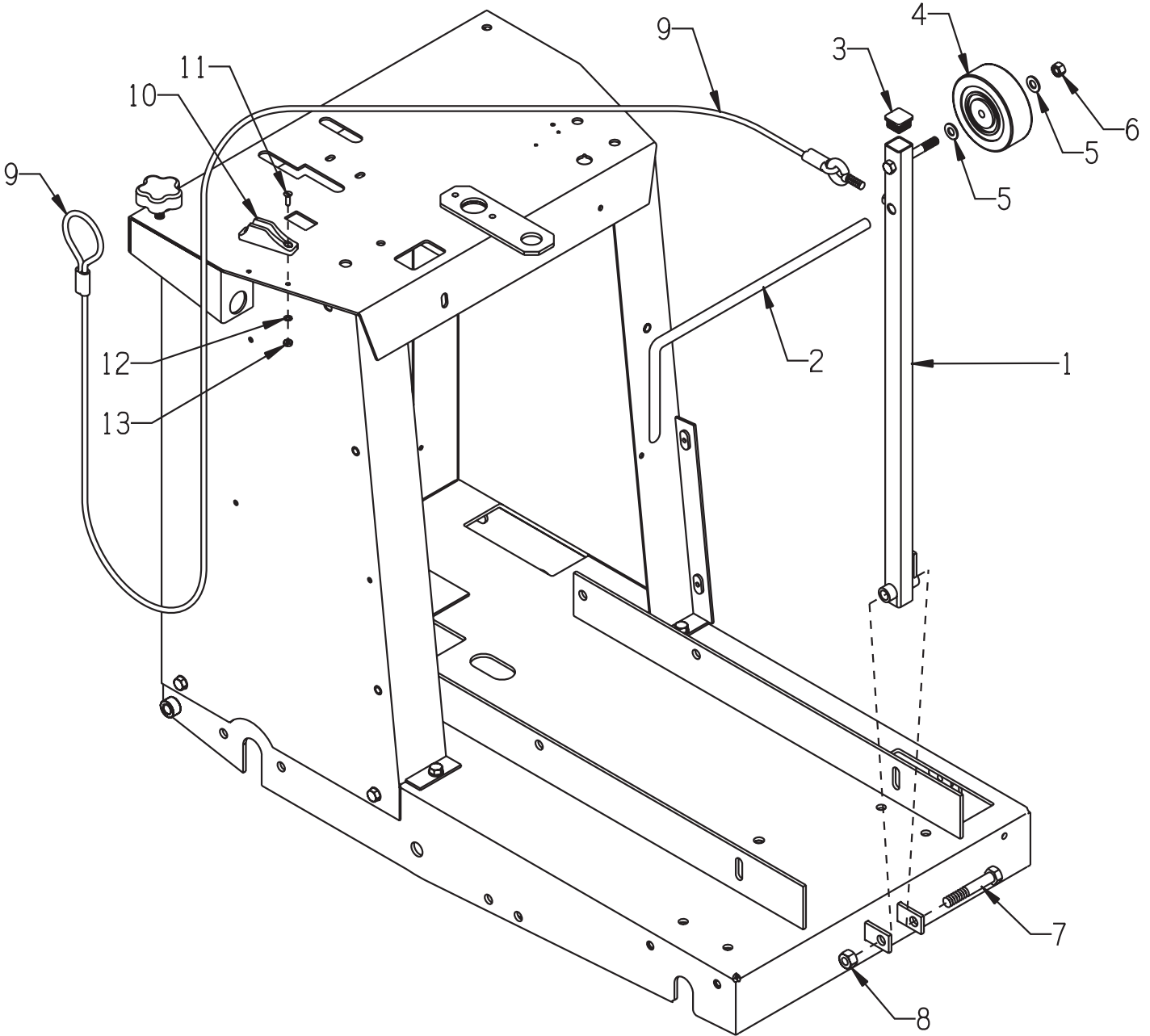
Email: sales@edcoinc.com

Printed in USA

JWA ©2009

Page 23

ILLUSTRATION 12: GUIDE BAR GROUPING



PARTS LISTING - ILLUSTRATION 12: GUIDE BAR GROUPING			
ITEM #	PART #	DESCRIPTION	QTY.
1	56304	GUIDE BAR	1
2	51012	GUIDE POINTER, FRONT	1
3	51078	PLUG, SQ. TUBE 1 X 14 GA., BLACK	1
4	50024	WHEEL 4 X 1-3/8 X 3/8"BORE	1
5	10025	WASHER, FLAT 3/8 SAE	2
6	10156	NUT, HEX NYLON LOCK 3/8-16	1
7	10499	SCREW, CAP 1/2-13 X 3	1
8	10155	NUT, HEX NYLON LOCK 1/2-13	1
9	51430	ROPE, GUIDE BAR, SS-24	1
10	11591	ROPE CLEAT, NYLON JAM 3/16"-5/16"	1
11	11594	SCREW, MACHINE 10-32 X 5/8, SLT.FLT	2
12	10831	WASHER, LOCK, INT. TOOTH #10	2
13	10832	NUT, KEPS 10-32	2



A Division of Equipment Development Company, Inc.

100 Thomas Johnson Drive, Frederick, MD 21702-4600 USA

Phone (301) 663-1600 • 1-800-638-3326

Fax (301) 663-1607 • 1-800-447-3326

Website: www.edcoinc.com

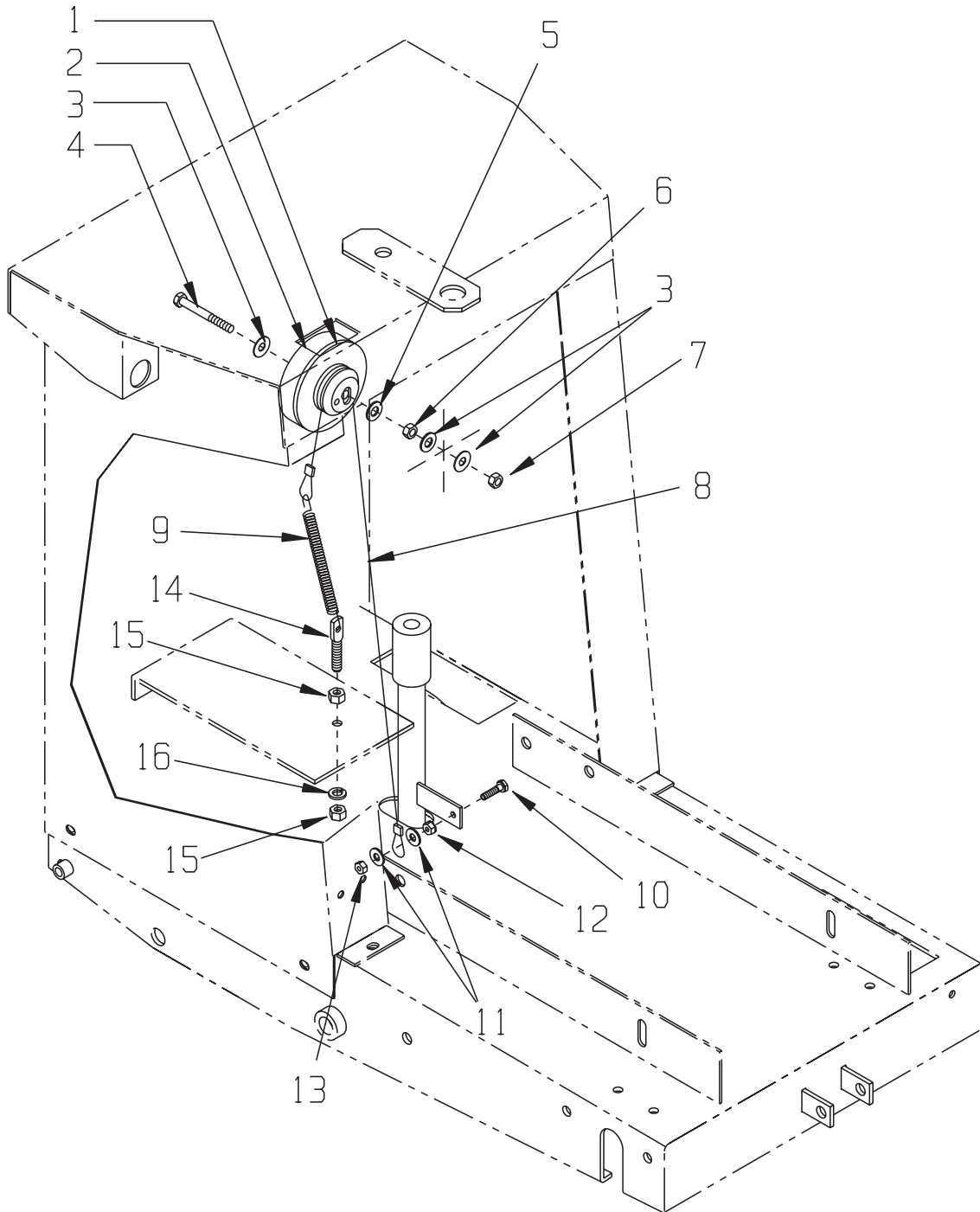
Email: sales@edcoinc.com

Printed in USA

JWA ©2009

Page 25

ILLUSTRATION 13: DEPTH GAUGE GROUPING



PARTS LISTING - ILLUSTRATION 13: DEPTH GAUGE GROUPING			
ITEM #	PART #	DESCRIPTION	QTY.
1	57132	WHEEL, DEPTH GAUGE	1
2	N/A	DECAL (PART OF DECAL KIT # 92007)	-
3	10025	WASHER, FLAT 3/8 SAE	3
4	10336	SCREW, CAP 3/8-24 X 2-1/4	1
5	64159	SHIM 3/8 X 5/8 X .031	1
6	10004	NUT, LOCK 3/8-24	1
7	10152	NUT, HEX NYLON LOCK 3/8-24	1
8	51240	CABLE, DEPTH GAUGE 3/32 X 25"L	1
9	3636	SPRING, EXT. 6"L	1
10	10031	SCREW, CAP 1/4-20 X 1	1
11	10602	WASHER, FLAT 1/4 SAE	2
12	10861	NUT, KEPS 1/4-20	1
13	10150	NUT, HEX NYLON LOCK 1/4-20	1
14	10843	BOLT, SPADE 3/8-16 X 1-5/8	1
15	10404	NUT 3/8-16	2
16	10811	WASHER, LOCK 3/8	1



A Division of Equipment Development Company, Inc.

100 Thomas Johnson Drive, Frederick, MD 21702-4600 USA

Phone (301) 663-1600 • 1-800-638-3326

Fax (301) 663-1607 • 1-800-447-3326

Website: www.edcoinc.com

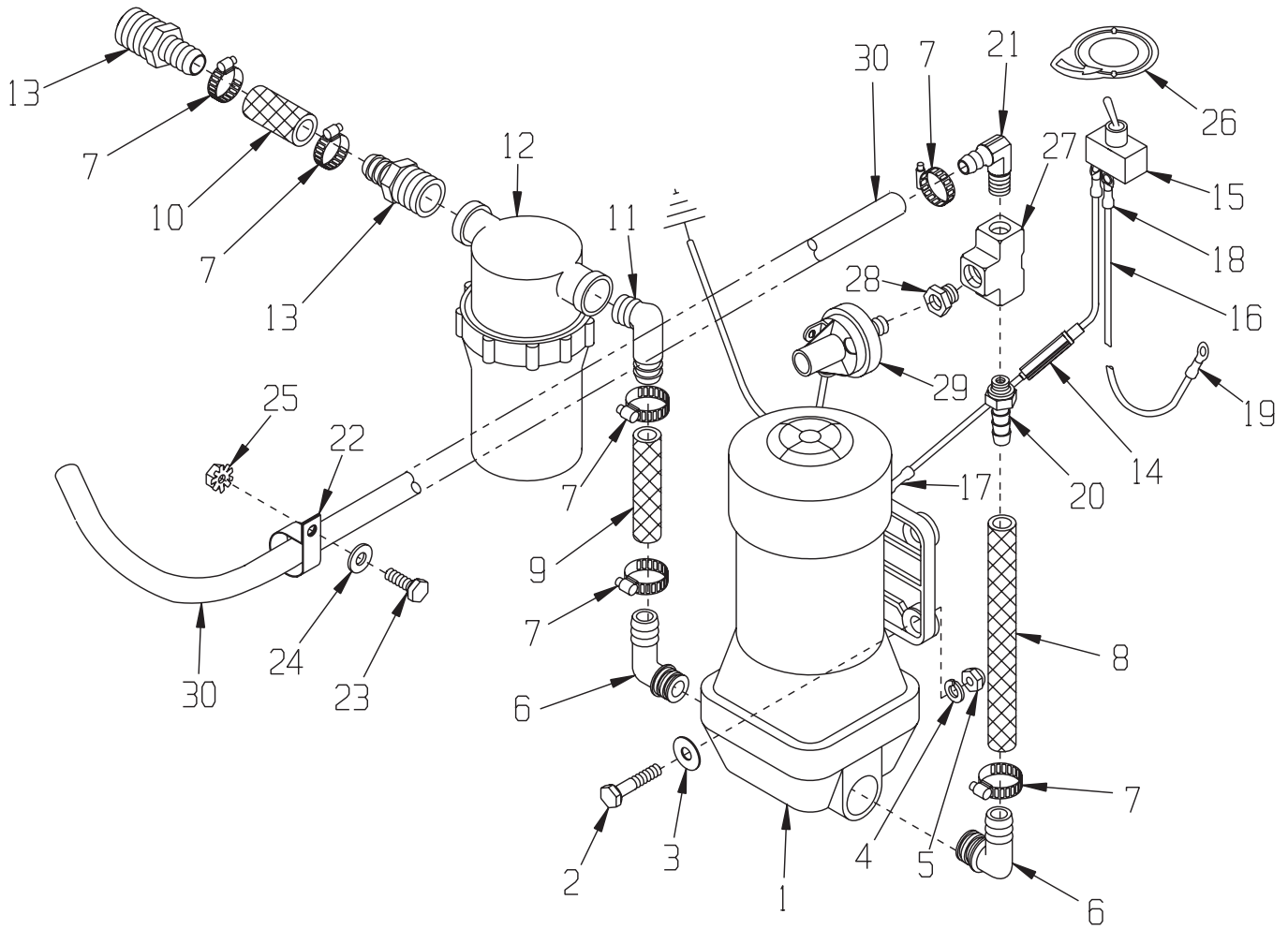
Email: sales@edcoinc.com

Printed in USA

JWA ©2009

Page 27

**ILLUSTRATION 14:
OPTIONAL
WATER PUMP KIT
PART # 51270**



**PARTS LISTING - ILLUSTRATION 14:
OPTIONAL WATER PUMP KIT
PART # 51270**

ITEM #	PART #	DESCRIPTION	QTY.
1	50470	PUMP, WATER, 12VDC, FLOJET QUAD	1
2	10905	SCREW, CAP 1/4-20 X 1-1/4	4
3	10602	WASHER, FLAT 1/4 SAE	4
4	10038	WASHER, LOCK 1/4	4
5	10876	NUT, ACORN 1/4-20	4
6	50469	PUMP QUAD PORT BARB ELBOW 1/2"	2
7	50069	CLAMP, HOSE, SAE #6, ADJ. TO 13/16	5
8	57168	HOSE, WATER 1/2"ID X 4-7/8"L	1
9	51261	HOSE, WATER 1/2"ID X 4"L	1
10	50532	HOSE, WATER 1/2"ID X 2"L	1
11	50471	BARB ELBOW 90, 1/2HOSE X 1/2MPT	1
12	57170	STRAINER, NYLON T-STYLE 1/2FPT	1
13	10680	BARB, 1/2HOSE X 1/2MPT (PLASTIC)	1
14	50447	FUSE & HOLDER, 10 AMP	1
15	10633	SWITCH, TOGGLE SPST 15/10A-115/250V	1
16	51262	WIRE, RED 14AWG X 30"L	1
17	10938	CONNECTOR, BUTT 16-14GA. INSULATED	1
18	50084	TERM., RING #10 16-14GA. INSULATED	2
19	10968	TERM., RING 5/16 16-14GA. INSULATED	1
*20	11579	BARB, PUSH-ON 1/2HOSE X 1/4 MPT	1
*21	10799	BARB ELBOW 90, 3/8HOSE X 1/4MPT	1
*22	11565	CLAMP, LOOM, 5/8" (SAE SIZE 10)	1
*23	10018	SCREW, CAP 1/4-20 X 3/4	1
*24	10602	WASHER, FLAT 1/4 SAE	1
*25	10861	NUT, KEPS 1/4-20	1
*26	-----	DECAL, WATER PUMP ON-OFF (PART OF DECAL KIT # 92007)	-
**27	10719	PIPE TEE, FEMALE 1/4 NPT (BRASS)	1
**28	10718	BUSHING, HEX 1/4 X 1/8 NPT (BRASS)	1
**29	51030	SWITCH, PRESSURE, MAG. IGN., N.C.	1
***30	51222	HOSE, WATER 3/8"ID X 46"L	1
1-19 THESE ITEMS ARE PRE-ASSEMBLED			
*20-26 THESE ITEMS ARE NOT PRE-ASSEMBLED			
**27-29 THESE ITEMS ARE REUSED FROM THE EXISTING UNIT. THEY ARE SHOWN FOR ASSEMBLY PURPOSES ONLY			
***30 THIS ITEM IS REUSED FROM THE EXISTING UNIT. TRIM OFF TO THE APPROPRIATE LENGTH			



A Division of Equipment Development Company, Inc.

100 Thomas Johnson Drive, Frederick, MD 21702-4600 USA

Phone (301) 663-1600 • 1-800-638-3326

Fax (301) 663-1607 • 1-800-447-3326

Website: www.edcoinc.com

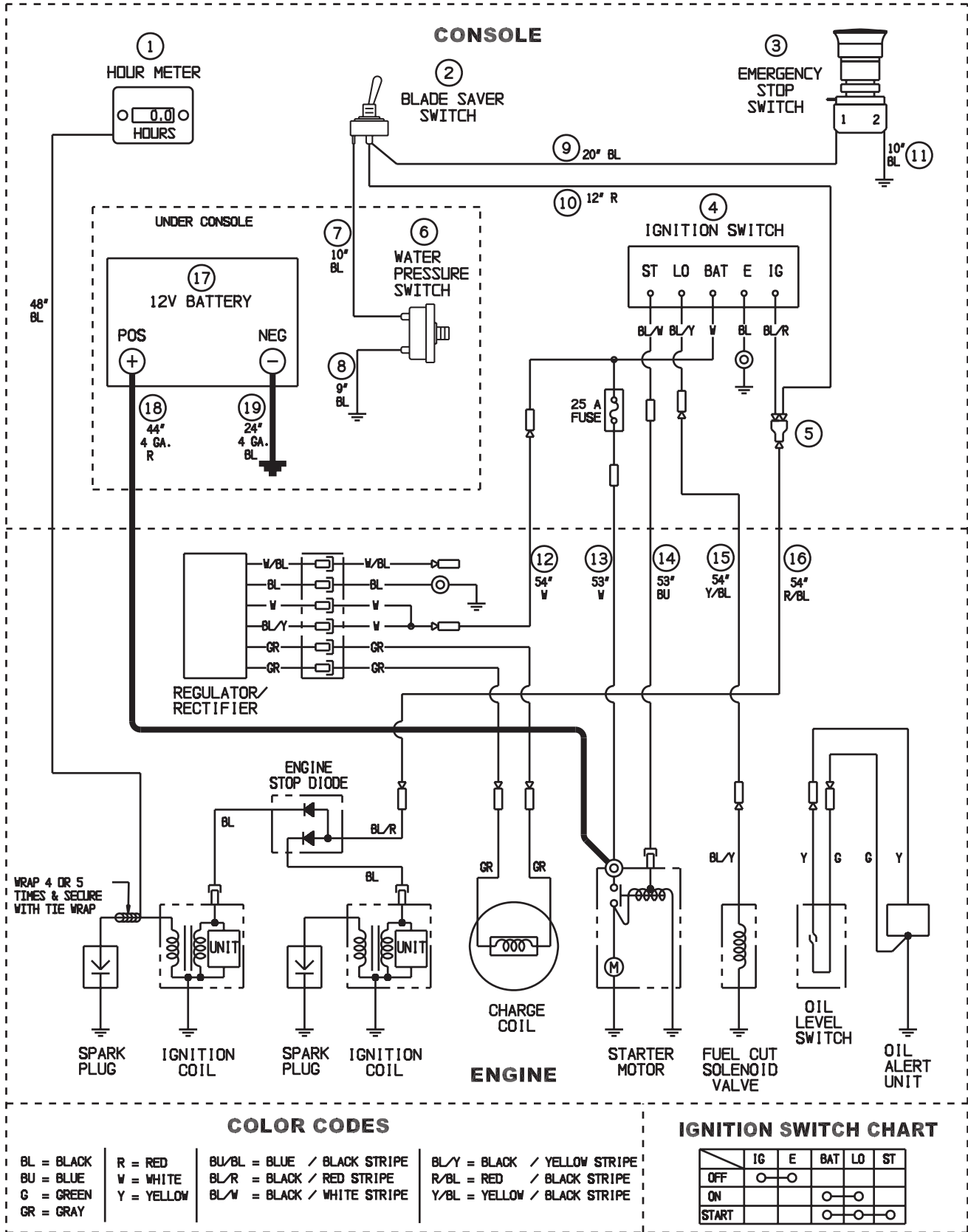
Email: sales@edcoinc.com

Printed in USA

JWA ©2009

Page 29

ILLUSTRATION 15: WIRING DIAGRAM



PARTS LISTING - ILLUSTRATION 15: WIRING DIAGRAM			
ITEM #	PART #	DESCRIPTION	QTY.
1	15138	METER, HOUR, REDINGTON INDUCTIVE (INCLUDES 48" BLACK WIRE)	1
2	10633	BLADE SAVER SWITCH TOGGLE SPST 15/10A-115/250V	1
3	15147	EMERGENCY STOP SWITCH SWITCH PUSHBUTTON ONLY	1
	15148	CLIP ONLY	1
	15149	CONTACT BLOCK, N.O. (BACO 33E10)	1
4	15163	SWITCH ASSY., IGN. (INCLUDED W/ ENGINE)	1
5	11582	CONNECTOR, BULLET FORD 3-WAY STD.	1
6	51030	SWITCH, PRESSURE, MAG. IGN., N.C.	1
7	51431	WIRE 10" BLACK 14 GA. #10 RING TERM. BOTH ENDS	1
8	51432	WIRE 9" BLACK 14 GA. #10 RING TERM. & 1/4 RING TERM.	1
9	51433	WIRE 20" BLACK 14 GA. #10 RING TERM. ONE END	1
10	51434	WIRE 12" RED 14 GA. #10 RING TERM. & FORD BULLET CONN.	1
11	51435	WIRE 10" BLACK 14 GA. 1/4" RING TERM. ONE END	
*12	51436	WIRE 54" WHITE 14 GA. FORD BULLET CONN. & FORD LINE CONN.	1
*13	51437	WIRE 53" WHITE 14 GA BUTT CONN. & 5/16" RING TERM.	1
*14	51438	WIRE 53" BLUE 14 GA BUTT CONN. & 1/4"FEM. PUSH-ON TERM.	1
*15	51439	WIRE 54" YELLOW W/ BLACK STRIPE 14 GA. FORD BULLET CONN. & FORD LINE CONN.	1
*16	51440	WIRE 54" RED W/ BLACK STRIPE 14 GA. FORD BULLET CONN. BOTH ENDS	1
17	84011	BATTERY 12 VOLT/300 CCA(SMALL ENG.)	1
18	51425	CABLE, EYE-EYE 4GA. X 50" (RED)	1
19	50117B	CABLE, EYE-EYE 4GA. X 24" (BLACK)	1
* THESE WIRES ARE PART OF A WIRE HARNESS ASSEMBLY - PART # 51441			



100 Thomas Johnson Drive, Frederick, MD 21702-4600 USA
 Phone (301) 663-1600 • 1-800-638-3326
 Fax (301) 663-1607 • 1-800-447-3326
 Website: www.edcoinc.com
 Email: sales@edcoinc.com

Printed in USA

JWA ©2009

Page 31

LIMITED EQUIPMENT WARRANTY OF SALE – TERMS & CONDITIONS

Equipment Development Company, Inc. herein referred to as EDCO (Seller) warrants that each new unit manufactured by EDCO to be free from defects in material and workmanship in normal use and service for a period of (1) one year (except for the cutter drum assembly on all model concrete/asphalt planes, in which case the warranty period shall be 90 days) from date of shipment to the original retail or equipment rental center owner.

Accessories or equipment furnished and installed on the product by EDCO but manufactured by others, including, but not limited to engines, motors, electrical components, transmissions etc., shall carry the accessory manufacturers own warranty.

EDCO will, at its option, repair or replace, at the EDCO factory or at a point designated by EDCO, any part which shall appear to the satisfaction of EDCO inspection to have been defective in material or workmanship.

EDCO reserves the right to modify, alter and improve any part or parts without incurring any obligation to replace any part or parts previously sold without such modified, altered or improved part or parts.

This warranty is in lieu of and excludes all other warranties, expressed, implied, statutory, or otherwise created under applicable law including, but not limited to the warranty of merchantability and the warranty of fitness for a particular purpose in no event shall seller or the manufacturer of the product be liable for special, incidental, or consequential damages, including loss of profits, whether or not caused by or resulting from the negligence of seller and/or the manufacturer of the product unless specifically provided herein. In addition, this warranty shall not apply to any products or portions thereof which have been subjected to abuse, misuse, improper installation, maintenance, or operation, electrical failure or abnormal conditions and to products which have been tampered with, altered, modified, repaired, reworked by anyone not approved by seller or used in any manner inconsistent with the provisions of the above or any instructions or specifications provided with or for the product

FORCE MAJEURE

Seller's obligation hereunder are subject to, and Seller shall not be held responsible for, any delay or failure to make delivery of all or any part of the Product due to labor difficulties, fires, casualties, accidents, acts of the elements, acts of God, transportation difficulties, delays by a common carrier, inability to obtain Product, materials or components or qualified labor sufficient to timely perform part of or all of the obligations contained in these terms and conditions, governmental regulations or actions, strikes, damage to or destruction in whole or part of manufacturing plant, riots, terrorist attacks or incidents, civil commotions, warlike conditions, flood, tidal waves, typhoon, hurricane, earthquake, lightning, explosion or any other causes, contingencies or circumstances within or without the United States not subject to the Seller's control which prevent or hinder the manufacture or delivery of the Products or make the fulfillment of these terms and conditions impracticable. In the event of the occurrence of any of the foregoing, at the option of Seller, Seller shall be excused from the performance under these Terms and Conditions, or the performance of the Seller shall be correspondingly extended.

This document sets forth the terms and conditions pursuant to which the purchaser ("Purchaser") will purchase and Equipment Development Co. Inc. ("Seller") will sell the products, accessories, attachments (collectively the Products) ordered by the Purchaser. These terms and conditions shall govern and apply to the sale of Seller's Products to Purchaser, regardless of any terms and conditions appearing on any purchase order or other forms submitted by Purchaser to Seller, or the inconsistency of any terms therein and herein.

1. PRICE

All prices set forth on any purchase order or other document are F.O.B. Sellers facility or distribution point, as may be determined by Seller (F.O.B. Point). All prices are exclusive of any and all taxes, including, but not limited to, excise, sales, use, property or transportation taxes related to the sale or use of the Products, now or hereafter imposed, together with all penalties and expenses. Purchaser shall be responsible for collecting and/or paying any and all such taxes, whether or not they are stated in any invoice for the Products. Unless otherwise specified herein, all prices are exclusive of inland transportation, freight, insurance and other costs and expenses relating to the shipment of the Products from the F.O.B. point to Purchaser's facility. Any prepayment by Seller of freight insurance and other costs shall be for the account of Purchaser and shall be repaid to Seller.

2. PAYMENT TERMS

Payment terms are as follows. 2% 10 days (to approved and qualified accounts). Net 30 days. This is a cash discount for invoices paid within 10 days after the invoice date, regardless of date of receipt of shipment. This is not a trade discount and will not be granted to accounts that do not adhere to stated terms.

*All past due accounts are subject to a late payment fee of 1.5% per month or a maximum allowed by law if different, along with the expenses incidental to collection including reasonable attorney's fees and costs.

*Seller reserves the right to hold shipments against past due accounts.

*Seller reserves the right to alter payment terms.

3. FREIGHT TERMS

All shipments will be made F.O.B. shipping point as designated in these Terms and Conditions, and title shall pass at the F.O.B. point. Delivery to the initial common carrier shall constitute delivery to the Purchaser. Any claims for loss or damage during shipment are to be filed with carrier by the Purchaser. Seller will not assume responsibility for the performance of the carrier.

Back orders will be shipped in the most practical fashion with charges consistent with our freight policy established with the original order. UPS, FED EX, MAIL or shipments by other couriers are subject to the same terms and conditions as outlined in paragraph #3 "Freight Terms".

4. DELIVERY, DAMAGES, SHORTAGES

Seller shall use reasonable efforts to attempt to cause the Products to be delivered as provided for in these Terms & Conditions. Delivery to the initial common carrier shall constitute the delivery to the Purchaser. Seller's responsibility, in so far as transportation risks are concerned ceases upon the delivery of the Products in good condition to such carrier at the F.O.B. point and all the Products shall be shipped at the Purchaser's risk. Seller shall not be responsible or liable for any loss of income and/or profits, or incidental, special, consequential damages resulting from Seller's delayed performance in shipment and delivery.

5. RETURN OF DEFECTIVE PRODUCTS

Defective or failed material shall be held at the Purchaser's premises until authorization has been granted by Seller to return or dispose of Products. Products that are to be returned for final inspection must be returned Freight Prepaid in the most economical way. Credit will be issued for material found to be defective upon Seller's inspection based on prices at time of purchase.

6. PRODUCTS ORDERED IN ERROR

Products may be returned, provided that claim is made and Seller is notified within 7 days of receipt of Products, and the Products are in original buyer's possession not more than 30 days prior to return, subject to Seller's approval. If Products are accepted for return, they must be Freight Prepaid and buyer will be charged a minimum of 15% restocking charge, plus a charge back for outbound freight charges if the original order was shipped prepaid. Returns are not accepted for any Products that are specifically manufactured to meet the buyer's requirement of either specifications or quantity.

AGREEMENTS

These Terms and Conditions constitute the entire agreement between Seller and Purchaser as it relates to terms and conditions of sale, and supersedes any and all prior oral or written agreements, correspondence, quotations or understandings heretofore in force between the parties relating to the subject matter hereof. There are no agreements between Seller and Purchaser with respect to the Product herein except those specifically set forth in and made part of these terms and conditions. Any additional terms, conditions and/or prices are rejected by Seller.

These terms and conditions may be modified, cancelled or rescinded only by a written agreement of both parties executed by their duly authorized agents.

USE ONLY GENUINE EDCO PARTS & ACCESSORIES
For your own safety, the safety of others and the life of your machine.

Equipment Development Company, Inc.

