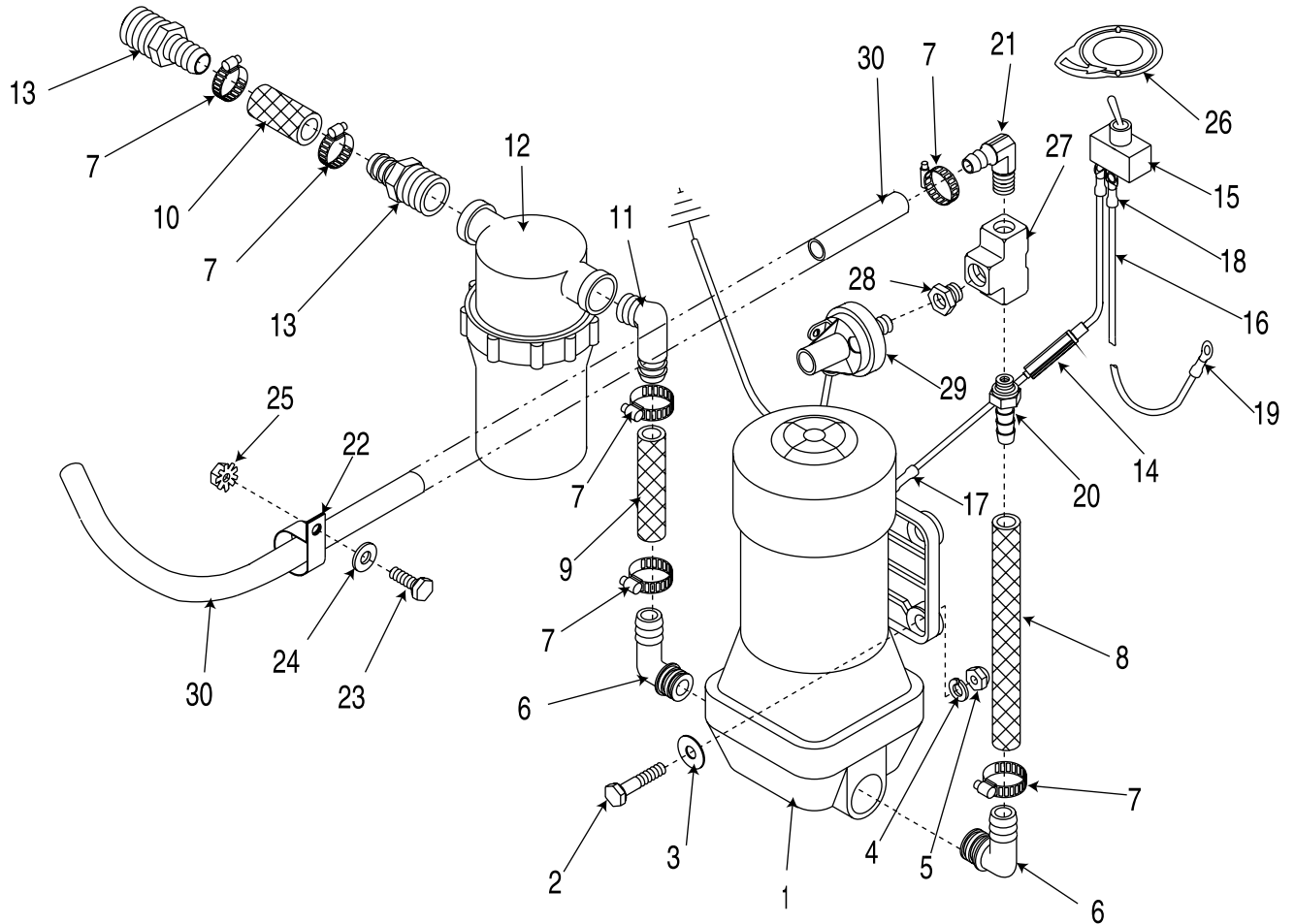


# MODEL SS-20 WATER PUMP KIT

## PART NO. 51270



100 Thomas Johnson Drive, Frederick, MD 21702-4600 USA  
Phone (301) 663-1600 • 1-800-638-3326  
Fax (301) 663-1607 • 1-800-447-3326  
Website: [www.edcoinc.com](http://www.edcoinc.com) • Email: [sales@edcoinc.com](mailto:sales@edcoinc.com)

Printed in USA  
©2001

**MODEL SS-20**  
**#51270 WATER PUMP KIT**  
**(INCLUDES ITEMS 1 THROUGH 26)**

ITEM #	PART #	DESCRIPTION	QTY.
1	50470	PUMP, WATER, 12VDC, FLOJET QUAD	1
2	10905	SCREW, CAP 1/4-20 x 1-1/4	4
3	10602	WASHER, FLAT 1/4	4
4	10028	WASHER, LOCK 1/4	4
5	10876	NUT, ACORN 1/4-20	4
6	50469	PUMP QUAD PORT BARB ELBOW 1/2" (INCLUDES O-RING)	2
7	50069	CLAMP, HOSE, SIZE M6, ADJ. TO 13/16	5
8	57168	HOSE, WATER 1/2" ID x 5"L	1
9	51261	HOSE, WATER 1/2" ID x 4"L	1
10	50532	HOSE, WATER 1/2" ID x 2"	1
11	50471	BARB ELBOW 90, 1/2 HOSE x 1/2 MPT (PLASTIC)	1
12	57170	STRAINER, NYLON T-STYLE 1/2 FPT	1
13	10680	BARB, 1/2 HOSE x 1/2 MPT (PLASTIC)	2
14	50447	FUSE & HOLDER, 10 AMP	1
15	10633	SWITCH, TOGGLE SPST	1
16	51262	WIRE, RED 14AWG x 30"L	1
17	10938	CONNECTOR, WIRE BUTT 16-14 GA. (BLUE)	1
18	50084	TERMINAL, WIRE RING #10 16-14 GA. (BLUE)	2
19	10968	TERMINAL, WIRE RING 5/16 16-14 GA. (BLUE)	1
*20	11579	BARB, PUSH-ON 1/2 HOSE x 1/4 MPT	1
*21	10799	BARB ELBOW 90, 3/8 HOSE x 1/4 MPT	1
*22	11565	CLAMP, LOOM, 5/8"	1
*23	10018	SCREW, CAP 1/4-20 x 3/4	1
*24	10602	WASHER, FLAT 1/4	1
*25	10861	NUT, KEPS 1/4-20	1
*26	N/A	DECAL, WATER PUMP ON-OFF	1
**27	10719	PIPE TEE, FEMALE 1/4 NPT (BRASS)	1
**28	10718	BUSHING, HEX 1/4 x 1/8 NPT (BRASS)	1
**29	51030	SWITCH, PRESSURE, MAG. IGN. 76061-2 NC	1
***30	51222	HOSE, WATER 3/8" ID x 45" L	1

1-19 THESE ITEMS ARE PRE-ASSEMBLED

\*20-26 THESE ITEMS ARE NOT PRE-ASSEMBLED

\*\*27-29 THESE ITEMS ARE REUSED FROM THE EXISTING UNIT. THEY ARE SHOWN FOR ASSEMBLY PURPOSES ONLY.

\*\*\*30 THIS ITEM IS REUSED FROM THE EXISTING UNIT. TRIM OFF TO THE APPROPRIATE LENGTH.

