



REVISED STARTING  
SERIAL # 210710330

## PARTS LIST MANUAL SS20 GASOLINE & PROPANE MODELS



Gasoline Model  
SS20-20H Shown



Propane Model  
SS20-23.5P Shown

### 20" & 16" SELF-PROPELLED CONCRETE & ASPHALT SAWS

SKU #	MODEL #	SIZE	POWER OPTION
32600	SS20-20H	20"	HONDA GASOLINE ENGINE MODEL GX630
34700	SS20-24H	20"	HONDA GASOLINE ENGINE MODEL GX690
34600	SS20-23.5P	20"	KOHLER COMMAND PRO PROPANE ENGINE MODEL CH730LP
32800	SS20-13H	16"	HONDA GASOLINE ENGINE MODEL GX390

**READ AND UNDERSTAND THE OPERATOR'S SAFETY MANUAL THOROUGHLY  
BEFORE ATTEMPTING TO OPERATE THIS EQUIPMENT.**

Death or serious injury could occur if this machine is used improperly.

Machine specific Operator's Instruction Manuals are offered at [edcoinc.com/customer-resources/manuals-parts-lists/](http://edcoinc.com/customer-resources/manuals-parts-lists/)  
READ AND UNDERSTAND THE ENGINE MANUFACTURERS INSTRUCTIONS AND OPERATORS MANUAL BEFORE OPERATION.



### EQUIPMENT DEVELOPMENT COMPANY, INC.

100 Thomas Johnson Drive, Frederick, MD 21702-4600 USA  
Phone: 800-638-3326 or 301-663-1600 • Fax: 800-447-3326 or 301-663-1607  
Website: [www.edcoinc.com](http://www.edcoinc.com) • E-mail: [techsupport@edcoinc.com](mailto:techsupport@edcoinc.com)

Printed in USA  
JWA ©2021



## SAFETY INFORMATION



### SAFETY MESSAGES

• Safety Instructions are preceded by a graphic alert symbol of DANGER, WARNING, or CAUTION.



Indicates an imminent hazard which, if not avoided, will result in death or serious injury.



Indicates an imminent hazard which, if not avoided, can result in death or serious injury.



Indicates hazards which, if not avoided, could result in serious injury and or damage to the equipment.

### GASOLINE / PROPANE POWERED EQUIPMENT



• Engine exhaust from this product contains chemicals known to the State of California to cause cancer, birth defects or other reproductive harm.



• Tilting a gasoline powered machine fitted with an EPA approved vented charcoal filter gas cap, beyond 20° can cause fuel leakage. If a leak occurs, do not start or run the engine until the leak is fixed. Eliminate all other ignition sources in the immediate area (no smoking, flares, sparks or flames). Use approved gasoline absorbing material to contain the fuel leakage. Then use clean, non-sparking tools to collect absorbed materials then dispose of these contaminants properly.



• Gasoline is extremely flammable and poisonous. It should only be dispensed in well ventilated areas, and with a cool engine.

• Small gasoline engines produce high concentrations of carbon monoxide (CO) example: a 5 HP 4 cycle engine operation in an enclosed 100,000 cu. ft. area with only one change of air per hour is capable of providing deadly concentrations of CO in less than fifteen minutes. Five changes of air in the same area will produce noxious fumes in less than 30 minutes. Gasoline powered equipment should not be used in enclosed or partially enclosed areas. Symptoms of CO poisoning include, head-ache, nausea, weakness, dizziness, visual problems and loss of consciousness. If symptoms occur - get into fresh air and seek medical attention immediately.

- Never refuel a hot engine or an engine while it is running.
- Engines are shipped from factory without fuel/oil.



• Propane is extremely flammable and is heavier than air and tends to settle in low areas where a spark or flame could ignite gas. DO NOT start or operate this propane engine in a poorly ventilated area where leaking propane gas could accumulate and endanger safety of persons in area. If headache develops, shut off machine. Have it checked for carbon monoxide emissions by a qualified technician before using it again. To ensure personal safety, installation and repair of propane fuel supply systems must be performed only by qualified technicians. Carbon monoxide emissions from this machine are greatly increased due to a dirty combustion air cleaner.

### ELECTRICAL POWERED EQUIPMENT



Extreme care must be taken when operating electric models with water present: Ensure power cord is properly grounded, is attached to a Ground-Fault-Interrupter (GFI) outlet, and is undamaged.

- Check all electrical cables - be sure connections are tight and cable is continuous and in good condition. Be sure cable is correctly rated for both the operating current and voltage of this equipment.
- Improper connection of the equipment grounding conductor can result in a risk of electric shock. Check with qualified electrician or service person if there is any doubt as to whether the outlet is properly grounded. Adhere to all local codes and ordinances.
- NOTE: In the event of a malfunction or breakdown, grounding provides a path of least resistance for the electric current to dissipate. The motor is equipped with a grounded plug and must be connected to an outlet that is properly installed and properly grounded. DO NOT modify the plug provided on the motor. If the plug does not fit the outlet have a qualified electrician install the proper receptacle.

### ELECTRICAL POWERED EQUIPMENT CONTINUED

- Do not disconnect power by pulling cord. To disconnect, grasp the plug, not the cord.
- Unplug power cord at the machine when not in use and before servicing.
- Switch motor OFF before disconnecting power.
- Never use frayed, damaged, taped or under rated extension cords. Electrical shock could result in death or serious injury to the operator and damage to the equipment.
- Assure you are using the proper extension cord length.

### GENERAL INSTRUCTIONS

- Equipment should only be operated by trained personnel in good physical condition and mental health (not fatigued). The operator and maintenance personnel must be physically able to handle the bulk weight and power of this equipment.
- This is a one person tool. Maintain a safe operating distance to other personnel. It is the operators' responsibility to keep other people (workers, pedestrians, bystanders, etc.) away during operation. Block off the work area in all directions with roping, safety netting, etc. Failure to do so may result in others being injured by flying debris or exposing them to harmful dust and noise.
- This equipment is intended for commercial use only.
- For the operator's safety and the safety of others, always keep all guards in place during operation.
- Never let equipment run unattended.



- Personal Protection Equipment and proper safety attire must be worn when operating this machinery. The operator must wear approved safety equipment appropriate for the job such as hard hat and safety shoes when conditions require. Hearing protection **MUST** be used when operational noise levels of this equipment may exceed 85db. Eye protection **MUST** be worn at all times.



Keep body parts, loose clothing and accessories away from moving parts. Failure to do so could result in dismemberment or death.

- Do not modify the machine.
- Stop motor/engine when adjusting or servicing this equipment. Maintain a safe operating distance from flammable materials. Sparks from the cutting-action of this machine can ignite flammable materials or vapors.



### DUST WARNING



Some dust created by power sanding, sawing, grinding, drilling, and other construction activities contains chemicals known to cause cancer, birth defects, or other reproductive harm. Materials being removed can be toxic or hazardous. A breathing respirator is required to help protect the operator.

Some examples of these chemicals are:

- Lead from lead-based paints.
- Crystalline silica from bricks, concrete and other masonry products. Your risk of exposure to these chemicals varies depending on how often you do this type of work. To reduce your risk: work in a well ventilated area, use a dust control system, such as an industrial-style vacuum, and wear approved personal safety equipment, such as a dust/particle respirator designed to filter out microscopic particles.
- See more on the importance of dust prevention and silica warnings at: [osha.gov/silica](http://osha.gov/silica)
- More concrete and silica dust suppression training and educational materials available at [edcoinc.com/silica-standards](http://edcoinc.com/silica-standards) or scan the QR code on page 5.
- Written exposure plans are provided at <http://www.edcoinc.com/written-exposure-control-plans/>

# SS20 GASOLINE & PROPANE MODELS

## TABLE OF CONTENTS

<u>Section</u>	<u>Page Number</u>
Safety Information . . . . .	2
How To Order Replacement Parts . . . . .	3
Illustration 1: Frame Grouping . . . . .	4, 5
Illustration 2: Depth Control & Linkage Grouping . . . . .	6, 7
Illustration 3: Depth Gauge Kit . . . . .	8, 9
Illustration 4: 20" Blade Guard & Water Hook-Up Grouping . . . . .	10, 11
Illustration 5: 16" Blade Guard & Water Hook-Up Grouping . . . . .	12, 13
Illustration 6: Optional Water Pump Kit . . . . .	14, 15
Illustration 7: Optional Water Tank Assembly . . . . .	16, 17
Illustration 8: Abor Assembly for 20" Models . . . . .	18, 19
Illustration 9: Abor Assembly for 16" Model . . . . .	20, 21
Illustration 10: Transmission, Jackshaft & Rear Axle Grouping . . . . .	22, 23
Illustration 11: Drive Lever & Linkage Grouping . . . . .	24, 25
Illustration 12: Clutch Lever & Linkage Grouping . . . . .	26, 27
Illustration 13: Guide Bar Grouping . . . . .	28
Illustration 14: Battery Grouping . . . . .	29
Illustration 15: Gasoline Engine Grouping for Honda Models GX630 & GX690 . . . . .	30, 31
Illustration 16: Fuel Tank Grouping for Honda Models GX630 & GX690 . . . . .	32, 33
Illustration 17: Belt Drive Grouping for Honda Models GX630 & GX690 . . . . .	34, 35
Illustration 18: Propane Engine Grouping . . . . .	36, 37
Illustration 19: Propane Tank Grouping . . . . .	38, 39
Illustration 20: Belt Drive Grouping for Propane Model . . . . .	40, 41
Illustration 21: Gasoline Engine Grouping for Honda Model GX390 . . . . .	42, 43
Illustration 22: Belt Drive Grouping for Honda Model GX390 . . . . .	44, 45
Wiring Diagram for Honda Models GX630 & GX690 . . . . .	46
Ignition Switch Assembly for Honda Models GX630 & GX690 . . . . .	47
Wiring Diagram for Kohler Propane Model . . . . .	48
Wiring Harness for Kohler Propane Model . . . . .	49
Wiring Diagram for Honda Model GX390 . . . . .	50
Decal Sheet 1: P/N 92213 . . . . .	51
Decal Sheet 2: P/N 92214 . . . . .	52
Decal Sheet 3: P/N 92232 . . . . .	53
Notes . . . . .	54
Limited Equipment Warranty of Sale . . . . .	55
STOP - Before Using This Product . . . . .	56

**HOW TO ORDER REPLACEMENT PARTS**

- To insure product safety and reliability, always use genuine EDCO replacement parts when making repairs to the equipment.
- When calling for parts, specify the MODEL and SERIAL number of the machine, which can be found on the NAME PLATE. Keep that information in the space provided. In addition to this information, give part number, description, and quantity as listed on the parts list to your parts representative.
- Please note: Due to improvements and changes in the equipment, the illustrations shown may be different than the actual machine.

**FILL IN INFORMATION BELOW**

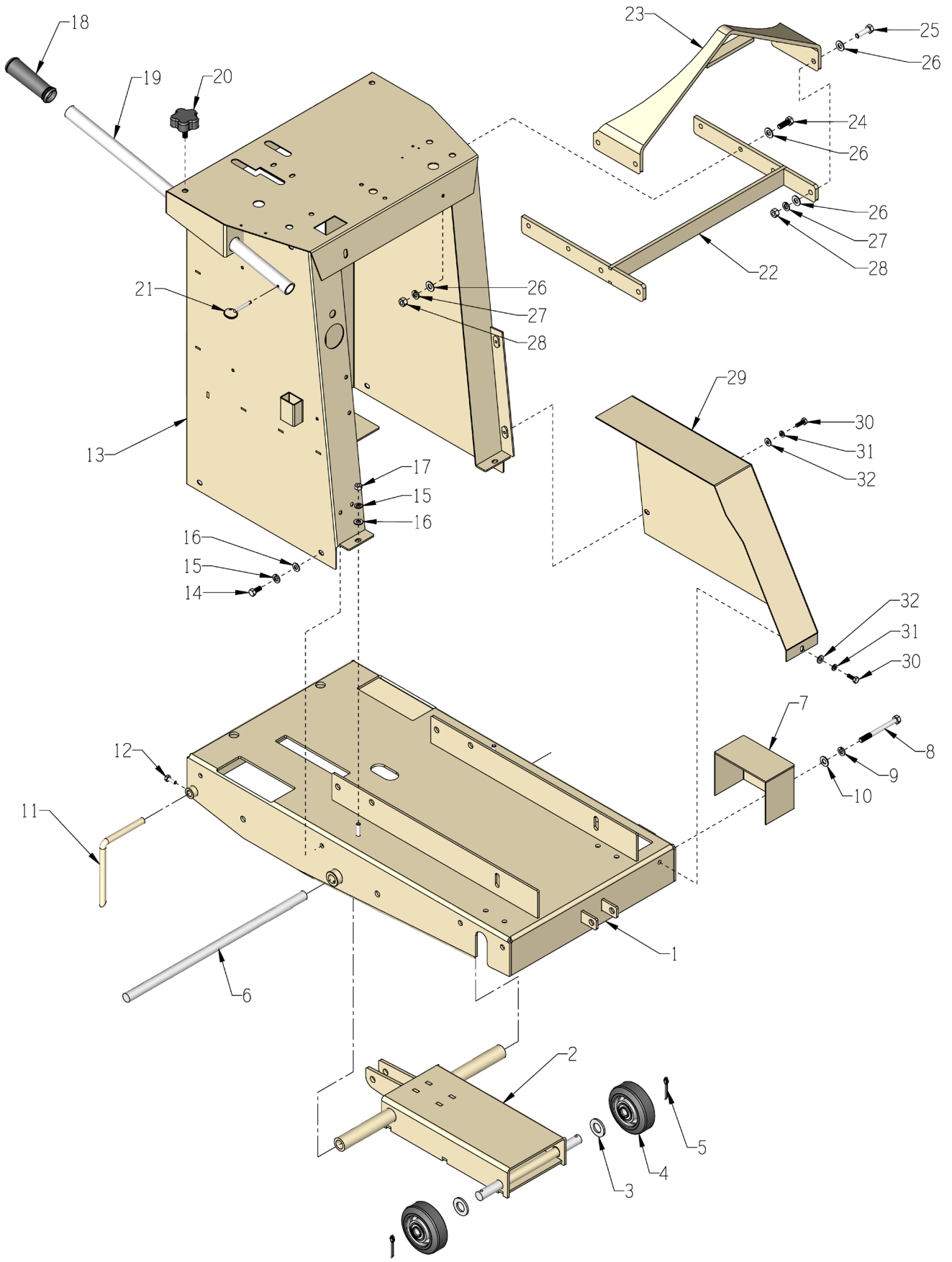
Date of Purchase \_\_\_\_\_

Model # \_\_\_\_\_

Serial # \_\_\_\_\_

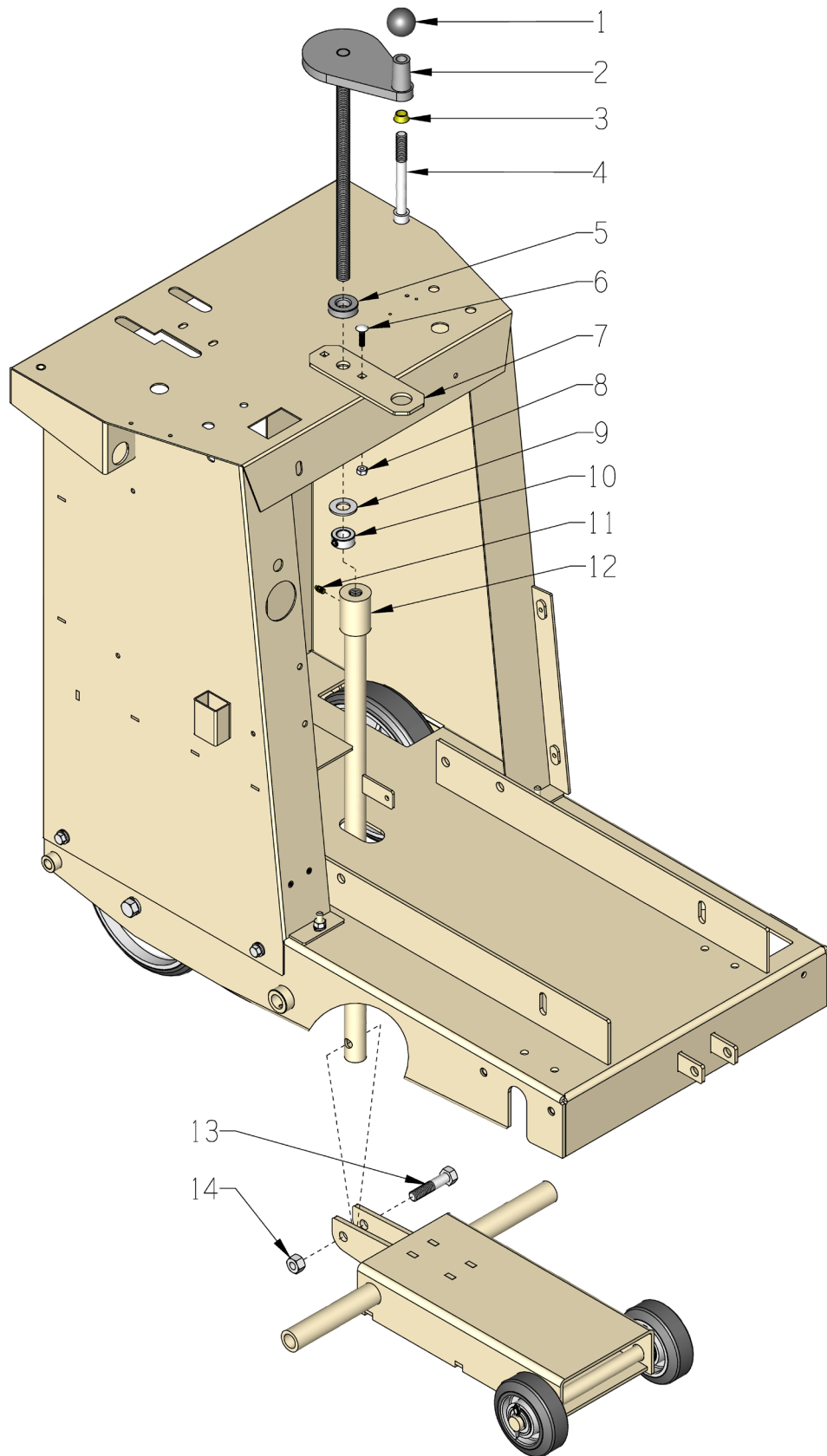
SKU # \_\_\_\_\_

# ILLUSTRATION 1: FRAME GROUPING



PARTS LISTING - ILLUSTRATION 1: FRAME GROUPING			
ITEM #	PART #	DESCRIPTION	QTY.
1	51290	MAIN FRAME, SS-20	1
2	51291	FORK W/ PIVOT TUBE, SS-20	1
3	10009	WASHER, FLAT 3/4 SAE ZINC	2
4	52001	WHEEL 4 X 1-1/2 X 3/4"BRG. ALUM/RUB	2
5	10306	PIN, COTTER 3/16 X 1-1/2	2
6	51219	SHAFT 3/4"DIA. X 19"L, SS-20	1
7	51206	COVER, ARBOR, SS-20/24	1
8	10318	SCREW, CAP 3/8-16 X 3-3/4	2
9	10811	WASHER, LOCK 3/8 ZINC	2
10	10025	WASHER, FLAT 3/8 SAE ZINC	2
11	51011	GUIDE POINTER, REAR, SS MODELS	1
12	10018	SCREW, CAP 1/4-20 X 3/4	1
13	51203 51203P	CONSOLE, SS20-13H/20H/24H (SHOWN) CONSOLE, SS20-25P	1 1
14	10053	SCREW, CAP 5/16-18 X 3/4	6
15	10801	WASHER, LOCK 5/16 ZINC	8
16	10213	WASHER, FLAT 5/16 SAE ZINC	8
17	10054	NUT, HEX 5/16-18 ZINC	2
18	10608	GRIP, HAND 1" MODEL AT	2
19	51024 50522	HANDLE BAR 24" (MODEL SS20-13H/20H/24H) HANDLE BAR 36" (MODEL SS20-23.5P)	2 2
20	51230	KNOB, STAR CLAMPING 3/8-16 X 1"STUD	2
21	10145	PIN, DETENT RING 3/16 X 1-5/16 E.L.	2
22	51325	LIFTING BAIL FRAME, SS-20	1
23	51324	LIFTING BAIL, HOOK, SS-20	1
24	10021	SCREW, CAP 3/8-24 X 1 ZINC	4
25	10309	SCREW, CAP 3/8-24 X 1-1/4 ZINC	4
26	10025	WASHER, FLAT 3/8 SAE ZINC	12
27	10811	WASHER, LOCK 3/8 ZINC	8
28	10014	NUT, HEX 3/8-24 ZINC	8
29	51205 51205K	COVER, BELT, SS20-13H/20H/24H (SHOWN) COVER, BELT, SS20-23.5P	1 1
30	10018	SCREW, CAP 1/4-20 X 3/4	3
31	10038	WASHER, LOCK 1/4 ZINC	3
32	10602	WASHER, FLAT 1/4 SAE ZINC	3

**ILLUSTRATION 2:  
DEPTH CONTROL & LINKAGE GROUPING**

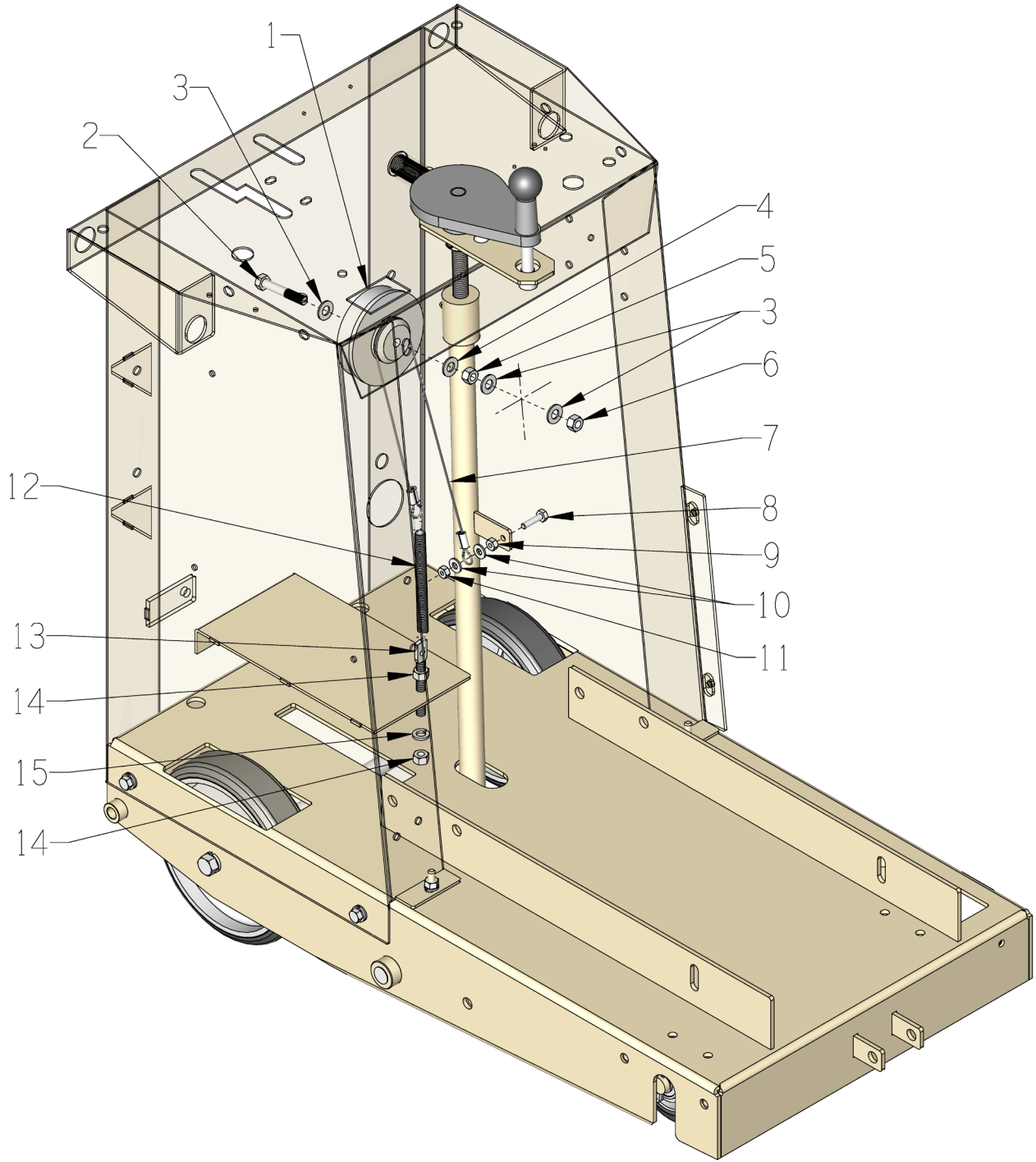


<b>PARTS LISTING - ILLUSTRATION 2 : DEPTH CONTROL &amp; LINKAGE GROUPING</b>			
<b>ITEM #</b>	<b>PART #</b>	<b>DESCRIPTION</b>	<b>QTY.</b>
1	14023	KNOB, BALL 1-3/8 W/ 1/2-13THD, BLK.	1
2	51075	HANDWHEEL, LARGE W/ 5/8-8 X 13"ROD	1
3	50550	SLEEVE, BRASS 1/2" TAPERED	1
4	10346	SCREW, SKT. HD. CAP 1/2-13 X 4-1/2	1
5	85005	BEARING, THRUST BALL 5/8	1
6	10412	BOLT, CARRIAGE 1/4-20 X 1	2
7	51287	CONSOLE DEPTH LOCK, SS20	1
8	10861	NUT, KEPS LOCK 1/4-20 ZINC	2
9	10073	WASHER, FLAT 5/8 SAE ZINC	1
10	10096	COLLAR, LOCKING 5/8"ID	1
11	10808	FITTING, GREASE 1/4-28 STRAIGHT	1
12	51220	LINKAGE, CUT CONTROL, SS-20	1
13	10347	SCREW, CAP 1/2-20 X 2-1/4	1
14	10154	NUT, HEX NYLON LOCK 1/2-20 ZINC	1

**ILLUSTRATION 3: BLADE DEPTH GAUGE KIT**

PART # 51238

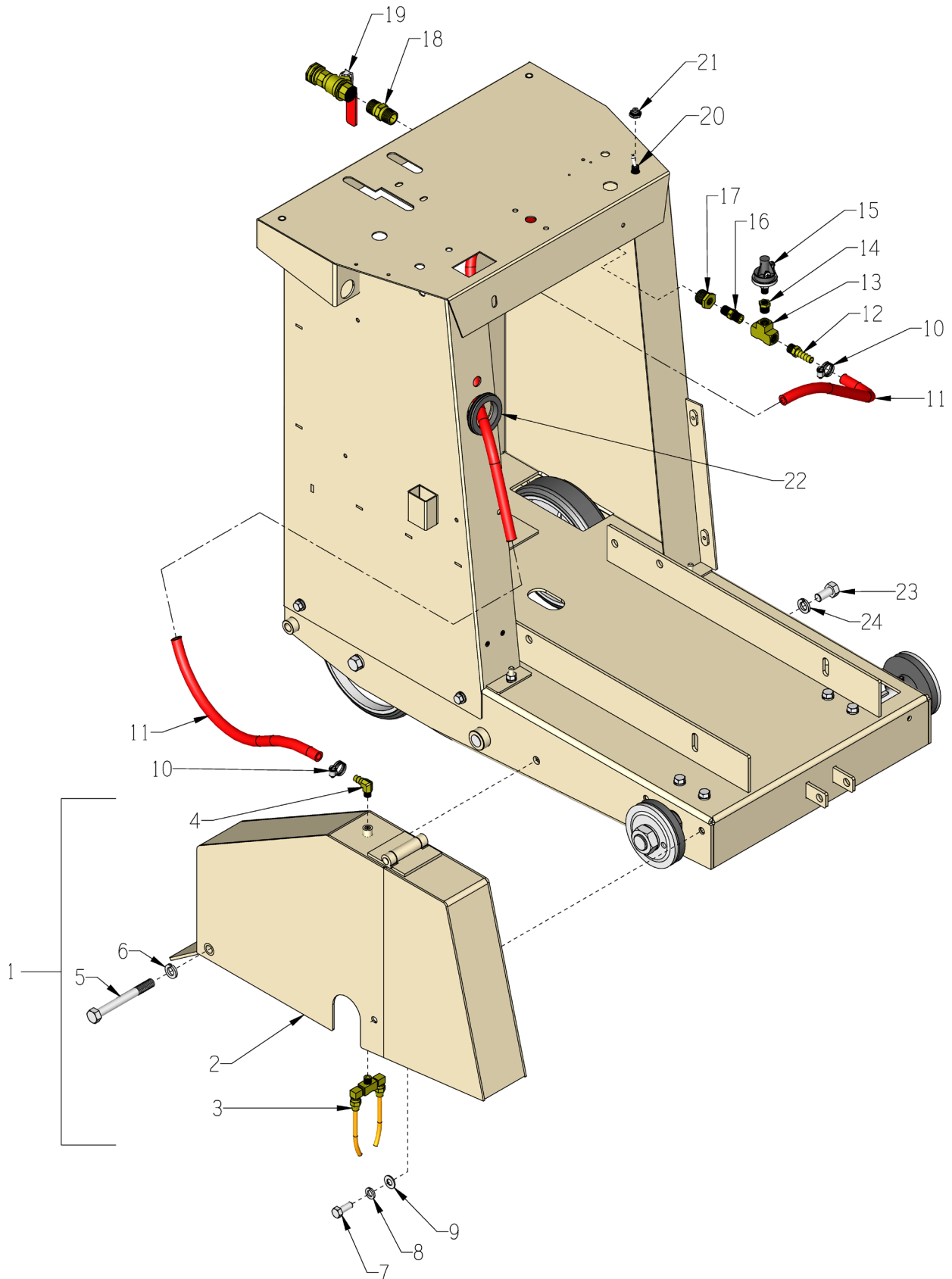
STANDARD ON MODELS SS20-20H, SS20-24H & SS20-23.5P  
OPTIONAL ON MODEL SS20-13H





<b>PARTS LISTING - ILLUSTRATION 3: BLADE DEPTH GAUGE KIT - PART # 51238</b>			
<b>ITEM #</b>	<b>PART #</b>	<b>DESCRIPTION</b>	<b>QTY.</b>
1	57132	WHEEL, DEPTH GAUGE	1
2	10336	SCREW, CAP 3/8-24 X 2-1/4	1
3	10025	WASHER, FLAT 3/8 SAE ZINC	3
4	64159	SHIM 3/8 X 5/8 X .031	1
5	10004	NUT, HEX LOCK 3/8-24 ZINC	1
6	10152	NUT, HEX NYLON LOCK 3/8-24 ZINC	1
7	51240	CABLE, DEPTH GAUGE 3/32 X 25"L	1
8	10031	SCREW, CAP 1/4-20 X 1	1
9	10861	NUT, KEPS LOCK 1/4-20 ZINC	1
10	10602	WASHER, FLAT 1/4 SAE ZINC	2
11	10150	NUT, HEX NYLON LOCK 1/4-20 ZINC	1
12	3636	SPRING, EXT. 6"L	1
13	10844	BOLT, SPADE 3/8-16 X 2-5/8	1
14	10404	NUT, HEX 3/8-16 ZINC	2
15	10811	WASHER, LOCK 3/8 ZINC	1

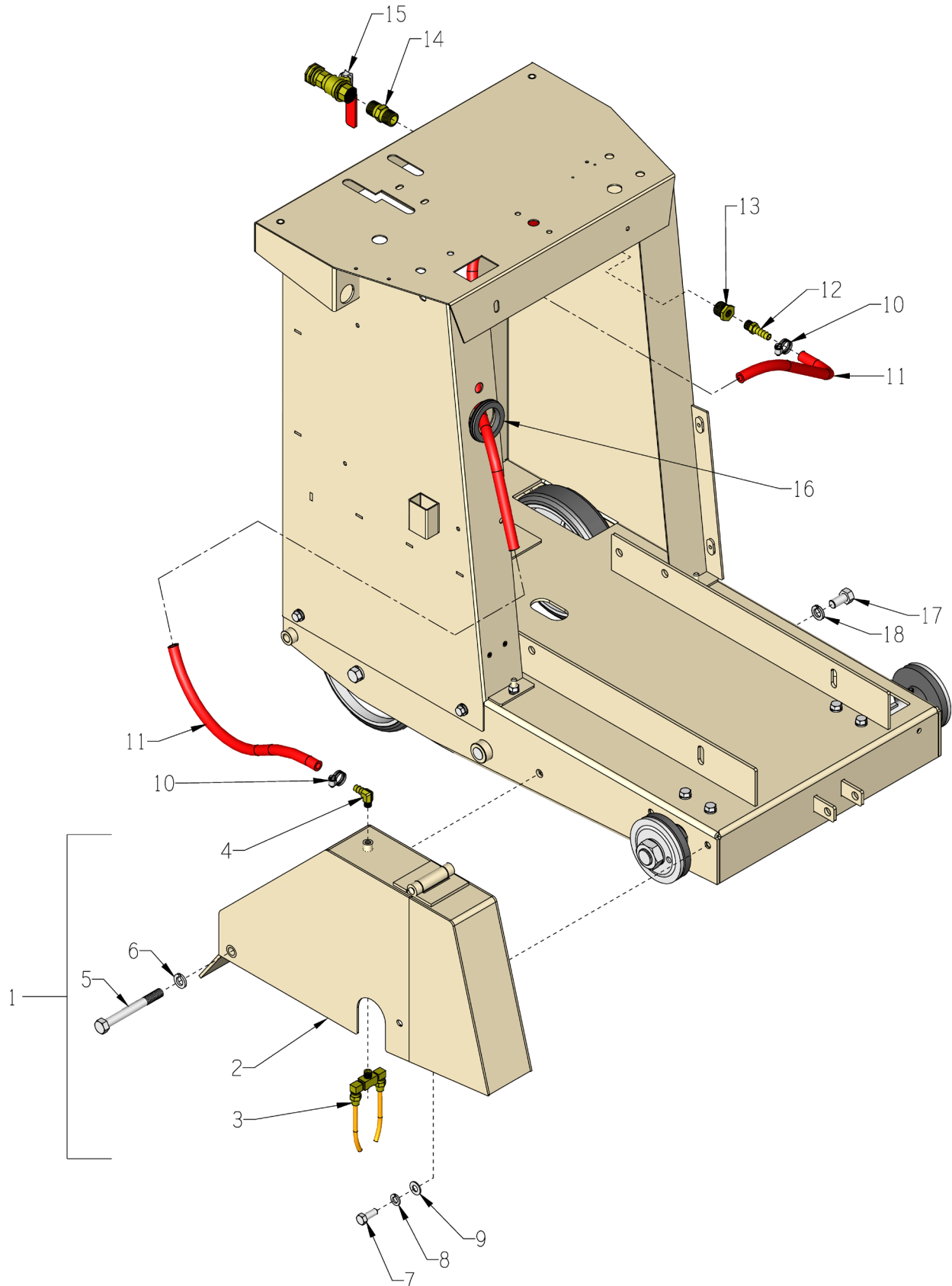
**ILLUSTRATION 4:  
20" BLADE GUARD & WATER HOOK-UP GROUPING**



<b>PARTS LISTING - ILLUSTRATION 4: 20" BLADE GUARD &amp; WATER HOOK-UP GROUPING</b>			
<b>ITEM #</b>	<b>PART #</b>	<b>DESCRIPTION</b>	<b>QTY.</b>
1	51292C	GUARD ASSY., BLADE 20", SS20 (ITEMS 2, 3 AND 4)	1
2	51292	GUARD, BLADE 20", SS20	1
3	81004	NOZZLE, COOLANT 1/8MPT W/ 4"TUBES	1
4	11562	BARB ELBOW 90, 3/8HOSE X 1/8MPT	1
5	10409	SCREW, CAP 1/2-20 X 4-1/2	1
6	10045	WASHER, LOCK 1/2 ZINC	1
7	10055	SCREW, CAP 3/8-16 X 1	1
8	10811	WASHER, LOCK 3/8 ZINC	1
9	10025	WASHER, FLAT 3/8 SAE ZINC	1
10	10714	CLAMP, HOSE, SAE #4, ADJ. TO 5/8"	2
11	51222	HOSE, WATER 3/8"ID X 48"L, SS-20	1
12	50075	BARB, 3/8 HOSE X 1/4MPT (BRASS)	1
13	10719	PIPE TEE, FEMALE 1/4 NPT (BRASS)	1
14	10718	BUSHING, HEX 1/4 X 1/8 NPT (BRASS)	1
15	50215	SWITCH, PRESSURE, 78628 1 N/O (SS20-24H)	1
	51030	SWITCH, PRESSURE, 76061 2 N/C (SS20-23.5P)	1
16	10717	NIPPLE, HEX 1/4 NPT (BRASS)	1
17	51236	BUSHING, HEX 1/2 X 1/4 NPT (BRASS)	1
18	10679	NIPPLE, HEX 1/2NPT (BRASS)	1
19	10711A	VALVE & HOSE CONNECTOR ASSY.	1
20	10619	SWITCH, TOGGLE SPDT (SS20-20H/24H)	1
	10633	SWITCH, TOGGLE SPST (SS20-23.5P)	1
21	10674	BOOT, TOGGLE SWITCH	
22	51253	GROMMET 1-45/64ID X 1/8GRV. X 2GD	1
23	10304	SCREW, CAP 1/2-20 X 1	1
24	10045	WASHER, LOCK 1/2 ZINC	1

MODEL SS20-13H

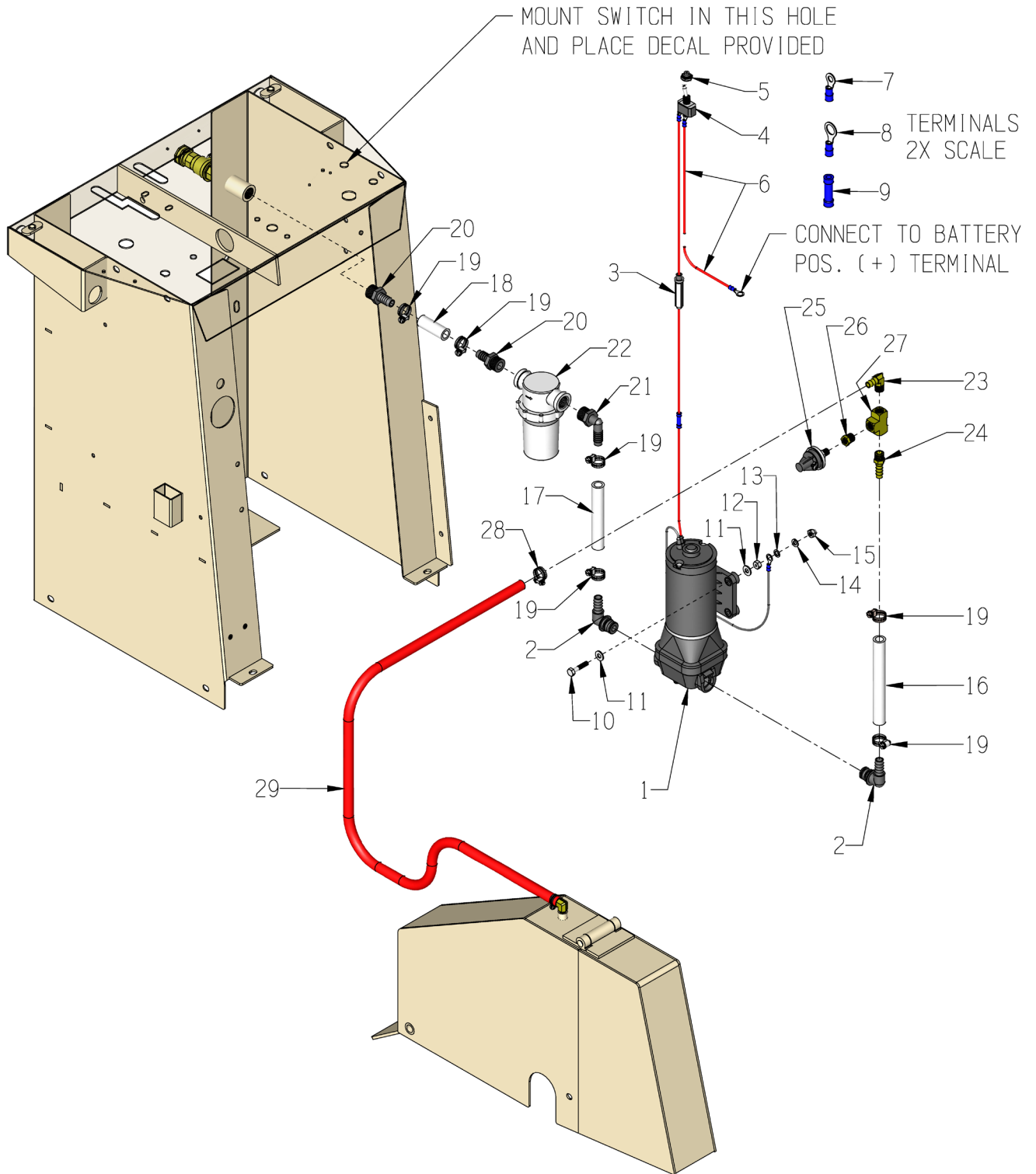
**ILLUSTRATION 5:  
16" BLADE GUARD & WATER HOOK-UP GROUPING**



<b>PARTS LISTING - ILLUSTRATION 5: 16" BLADE GUARD &amp; WATER HOOK-UP GROUPING</b>			
<b>ITEM #</b>	<b>PART #</b>	<b>DESCRIPTION</b>	<b>QTY.</b>
1	51293C	GUARD ASSY., BLADE 16", SS20-13H (ITEMS 2, 3 AND 4)	1
2	51293	GUARD, BLADE 16", SS20-13H	1
3	81004	NOZZLE, COOLANT 1/8MPT W/ 4" TUBES	1
4	11562	BARB ELBOW 90, 3/8 HOSE X 1/8 MPT	1
5	10409	SCREW, CAP 1/2-20 X 4-1/2	1
6	10045	WASHER, LOCK 1/2 ZINC	1
7	10055	SCREW, CAP 3/8-16 X 1	1
8	10811	WASHER, LOCK 3/8 ZINC	1
9	10025	WASHER, FLAT 3/8 SAE ZINC	1
10	10714	CLAMP, HOSE, SAE #4, ADJ. TO 5/8"	2
11	51222	HOSE, WATER 3/8" ID X 48" L, SS-20	1
12	50075	BARB, 3/8 HOSE X 1/4 MPT (BRASS)	1
13	51236	BUSHING, HEX 1/2 X 1/4 NPT (BRASS)	1
14	10679	NIPPLE, HEX 1/2 NPT (BRASS)	1
15	10711A	VALVE & HOSE CONNECTOR ASSY.	1
16	51253	GROMMET 1-45/64 ID X 1/8 GRV. X 2 GD	1
17	10304	SCREW, CAP 1/2-20 X 1	1
18	10045	WASHER, LOCK 1/2 ZINC	1

**ILLUSTRATION 6:  
OPTIONAL WATER PUMP KIT  
PART # 51270**

**\*NOTE: NOT AVAILABLE  
FOR MODEL SS20-13H**



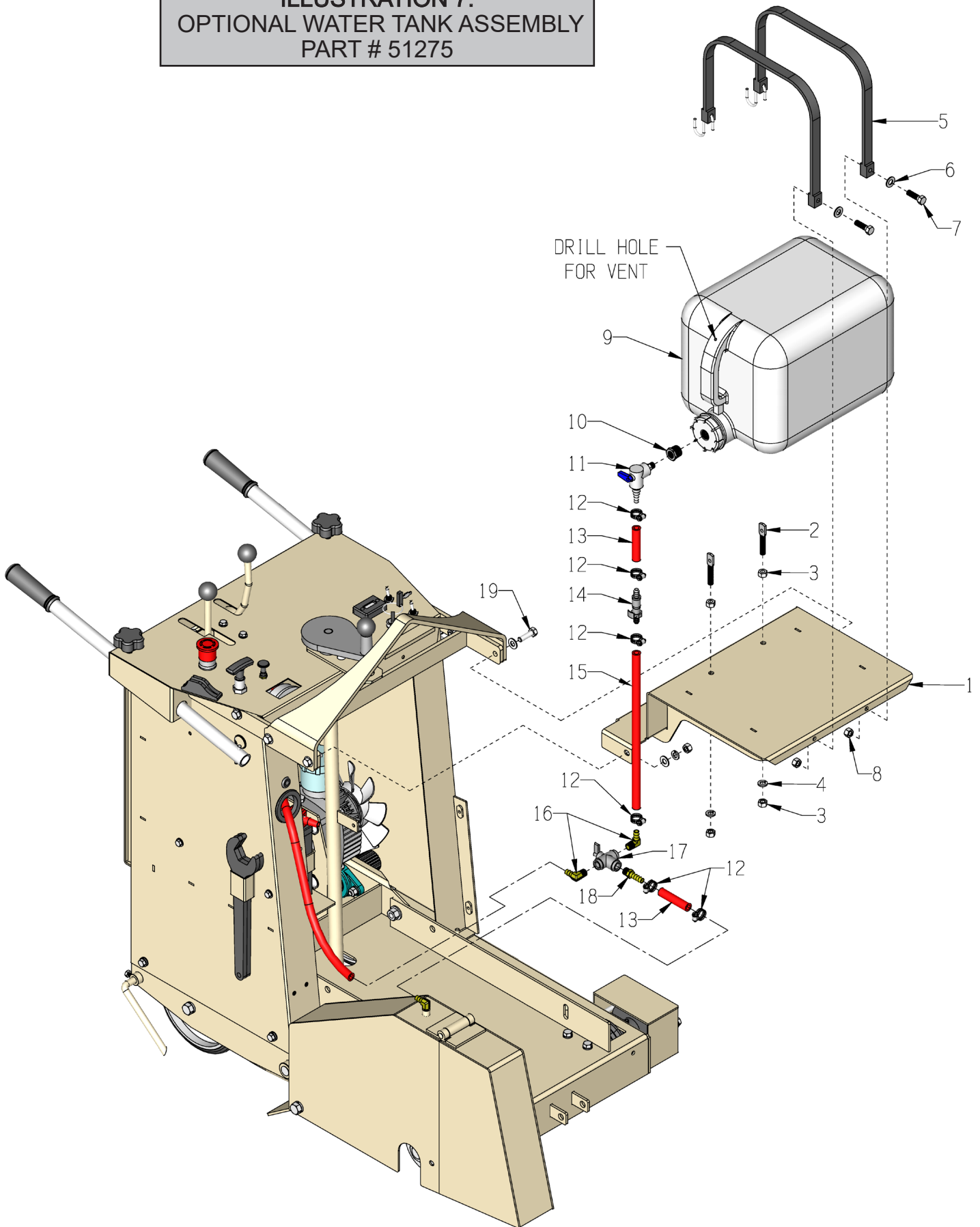
PARTS LISTING - ILLUSTRATION 5: OPTIONAL WATER PUMP KIT PART # 51270			
ITEM #	PART #	DESCRIPTION	QTY.
1	50470	PUMP, WATER, 12VDC, FLOJET QUAD	1
2	50469	PUMP QUAD PORT BARB ELBOW 1/2"	2
3	50447	FUSE & HOLDER, 10 AMP AGC IN-LINE	1
4	10633	SWITCH, TOGGLE SPST 15/10A-115/250V	4
5	10674	BOOT, TOGGLE SWITCH	1
6	51262	WIRE, RED 14AWG X 30"L	1
7	50084	TERM., RING #10 16-14GA. INSULATED	2
8	10968	TERM., RING 5/16 16-14GA. INSULATED	2
9	10938	CONNECTOR, BUTT 16-14GA. INSULATED	1
10	10905	SCREW, CAP 1/4-20 X 1-1/4	4
11	10602	WASHER, FLAT 1/4 SAE ZINC	8
12	10015	NUT, HEX LOCK 1/4-20 ZINC	4
13	10451	WASHER, LOCK, INT. TOOTH 1/4"	1
14	10038	WASHER, LOCK 1/4 ZINC	4
15	10876	NUT, ACORN 1/4-20	4
16	57168	HOSE, WATER 1/2"ID X 6"L	1
17	51261	HOSE, WATER 1/2"ID X 4-1/2"L	1
18	50532	HOSE, WATER 1/2"ID X 2"L	1
19	50069	CLAMP, HOSE, SAE #6, ADJ. TO 13/16	6
20	10680	BARB, 1/2HOSE X 1/2MPT (PLASTIC)	2
21	50471	BARB ELBOW 90, 1/2HOSE X 1/2MPT	1
22	57170	STRAINER, NYLON T-STYLE 1/2FPT	1
23*	10799	BARB ELBOW 90, 3/8HOSE X 1/4MPT	1
24*	11579	BARB, PUSH-ON 1/2HOSE X 1/4 MPT	1
25**	50215	SWITCH, PRESSURE, 78628 1 N/O (SS20-20/24H)	1
	51030	SWITCH, PRESSURE, 76061 2 N/C (SS20-23.5P)	1
26**	10718	BUSHING, HEX 1/4 X 1/8 NPT (BRASS)	1
27**	10719	PIPE TEE, FEMALE 1/4 NPT (BRASS)	1
28**	10714	CLAMP, HOSE, SAE #4, ADJ. TO 5/8"	1
29**	51222	HOSE, WATER 3/8"ID X 48" (TRIMMED DOWN)	1

NOTES: MOST ITEMS (1-22) ARE PRE-ASSEMBLED IN THE KIT P/N 51270.

\*ITEMS 23 AND 24 ARE NOT PRE-ASSEMBLED.

\*\*ITEMS 25, 26, 27, 28 AND 29 ARE REUSED FROM THE EXISTING UNIT WITH THE STANDARD WATER HOOK-UP. THE WATER HOSE (ITEM 29) IS TRIMMED DOWN TO THE APPROPRIATE LENGTH.

**ILLUSTRATION 7:  
OPTIONAL WATER TANK ASSEMBLY  
PART # 51275**



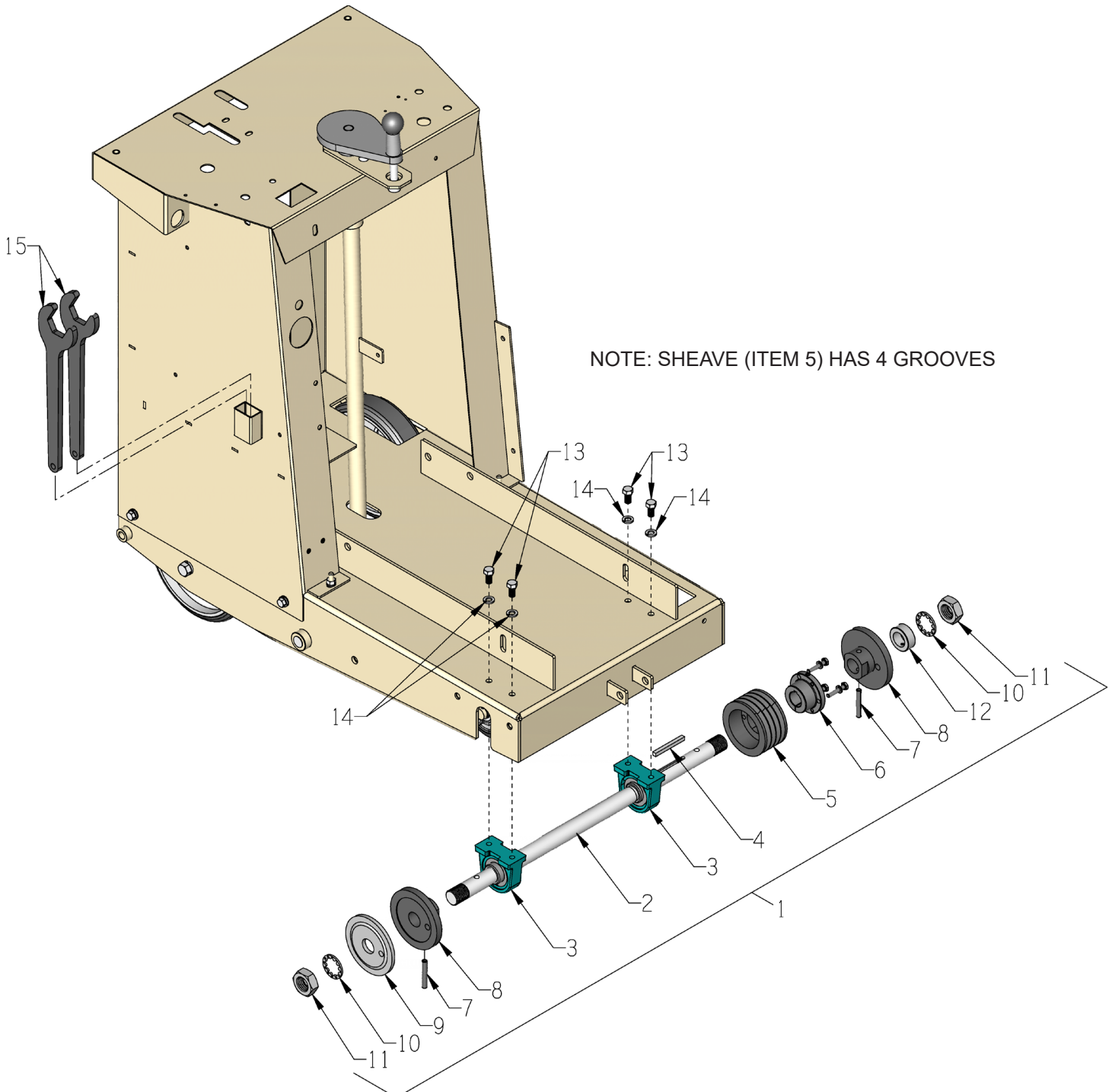


**PARTS LISTING - ILLUSTRATION 7:  
OPTIONAL WATER TANK ASSEMBLY  
PART # 51275**

ITEM #	PART #	DESCRIPTION	QTY.
1	51289	TRAY, WATER TANK, SS-20	1
2	10843	BOLT, SPADE 3/8-16 X 1-5/8	2
3	10404	NUT, HEX 3/8-16 ZINC	4
4	10811	WASHER, LOCK 3/8 ZINC	2
5	52035	TIE-DOWN STRAP, MOLDED RUBBER 24"	2
6	10602	WASHER, FLAT 1/4 SAE ZINC	2
7	10905	SCREW, CAP 1/4-20 X 1-1/4	2
8	10150	NUT, HEX NYLON LOCK 1/4-20 ZINC	2
9	52031	DRUM, PLASTIC 5 GALLON, 3/4NPT CAP	2
10	52034	BUSHING, HEX 3/4 X 1/4 NPT NYLON	1
11	56312	VALVE, BALL PVC 90°A 1/4MPT X BARB	1
12	10714	CLAMP, HOSE, SAE #4, ADJ. TO 5/8"	6
13	51288	HOSE, WATER 3/8"ID X 2-3/4"L	2
14	11637	COUPLING, QUICK-DISCONNECT 3/8" SPECIAL - INCLUDES: FEMALE FITTING W/ SHUT OFF AND MALE FITTING.	1
15	75139	HOSE, WATER 3/8"ID X 15"L	1
16	10799	BARB ELBOW 90, 3/8HOSE X 1/4MPT	2
17	11638	VALVE, BALL, 3-WAY 1/4 NPT FEMALE	1
18	50075	BARB, 3/8 HOSE X 1/4MPT (BRASS)	1
19	10816	SCREW, CAP 3/8-24 X 1-1/2	2

MODELS SS20-20H, SS20-24H & SS20-23.5P

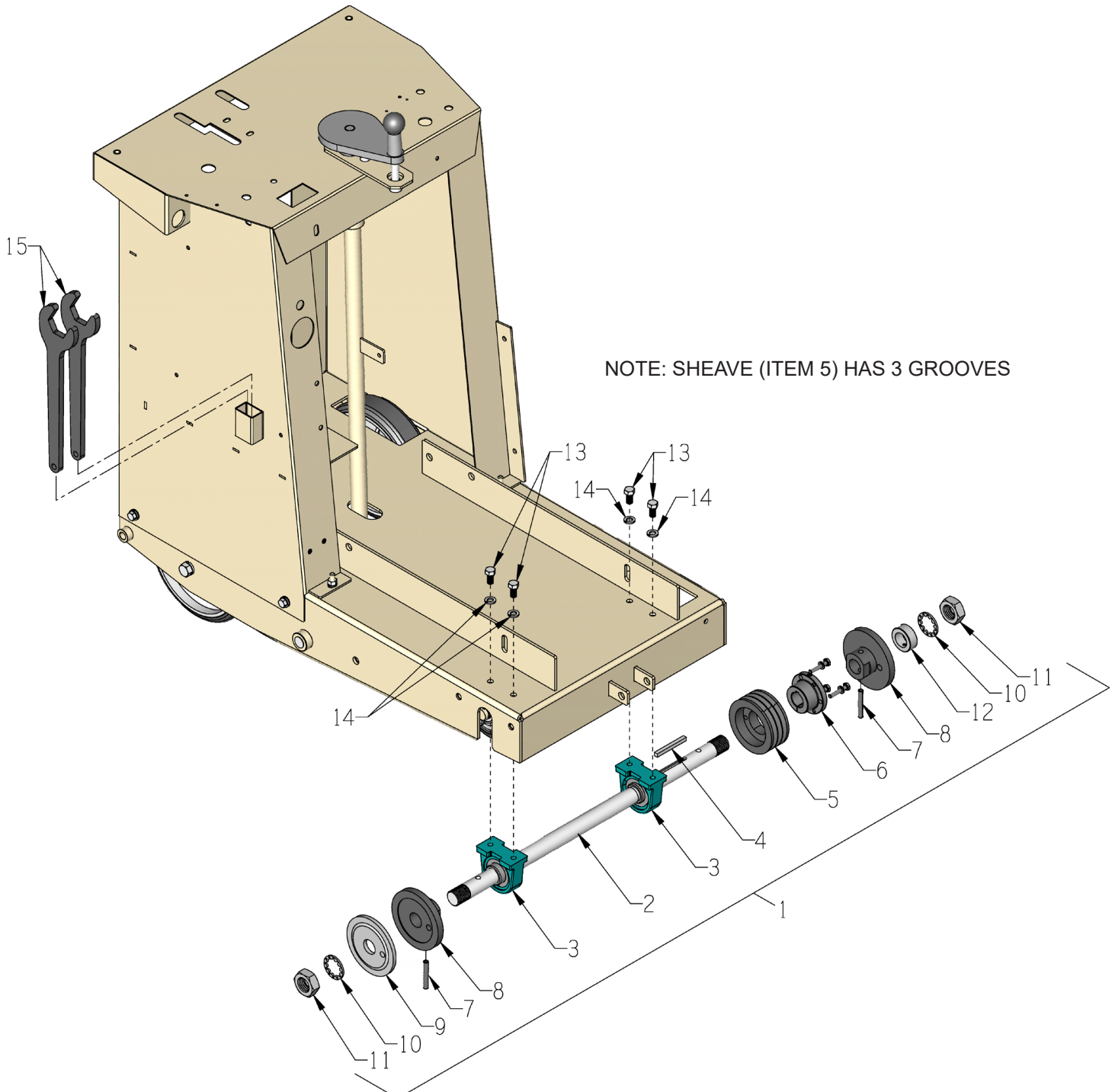
**ILLUSTRATION 8:  
ARBOR ASSEMBLY FOR 20" MODELS**



<b>PARTS LISTING - ILLUSTRATION 8: ARBOR ASSEMBLY FOR 20' MODELS</b>			
<b>ITEM #</b>	<b>PART #</b>	<b>DESCRIPTION</b>	<b>QTY.</b>
1	56208C	ARBOR ASSEMBLY, SS-20 (INCLUDES ITEMS 2 THRU 12)	1
2	56208	ARBOR SHAFT 23-3/8"L	1
3	50222	BEARING, BALL 1" TPB	2
4	10071	KEY 1/4SQ X 2-1/2	1
5	10504	SHEAVE 3.65"OD X 4GR.3V X SH	1
6	10076	BUSHING, SHEAVE SH X 1"BORE	1
7	10211	PIN, ROLL 5/16 X 2	2
8	56026	ARBOR BACKING PLATE 4"	2
9	56025	ARBOR BLADE CAP 4"OD W/1"HOLE	1
10	55009	WASHER, LOCK, INT. TOOTH 1"	2
11	50019	NUT, HEX JAM 1-14 ZINC GRADE A	2
12	10427	COLLAR, LOCKING 1"ID (SPACER)	1
13	10907	SCREW, CAP 3/8-16 X 3/4	4
14	10811	WASHER, LOCK 3/8 ZINC	4
15	50445	WRENCH, ARBOR, 1-1/2" OPEN END	2

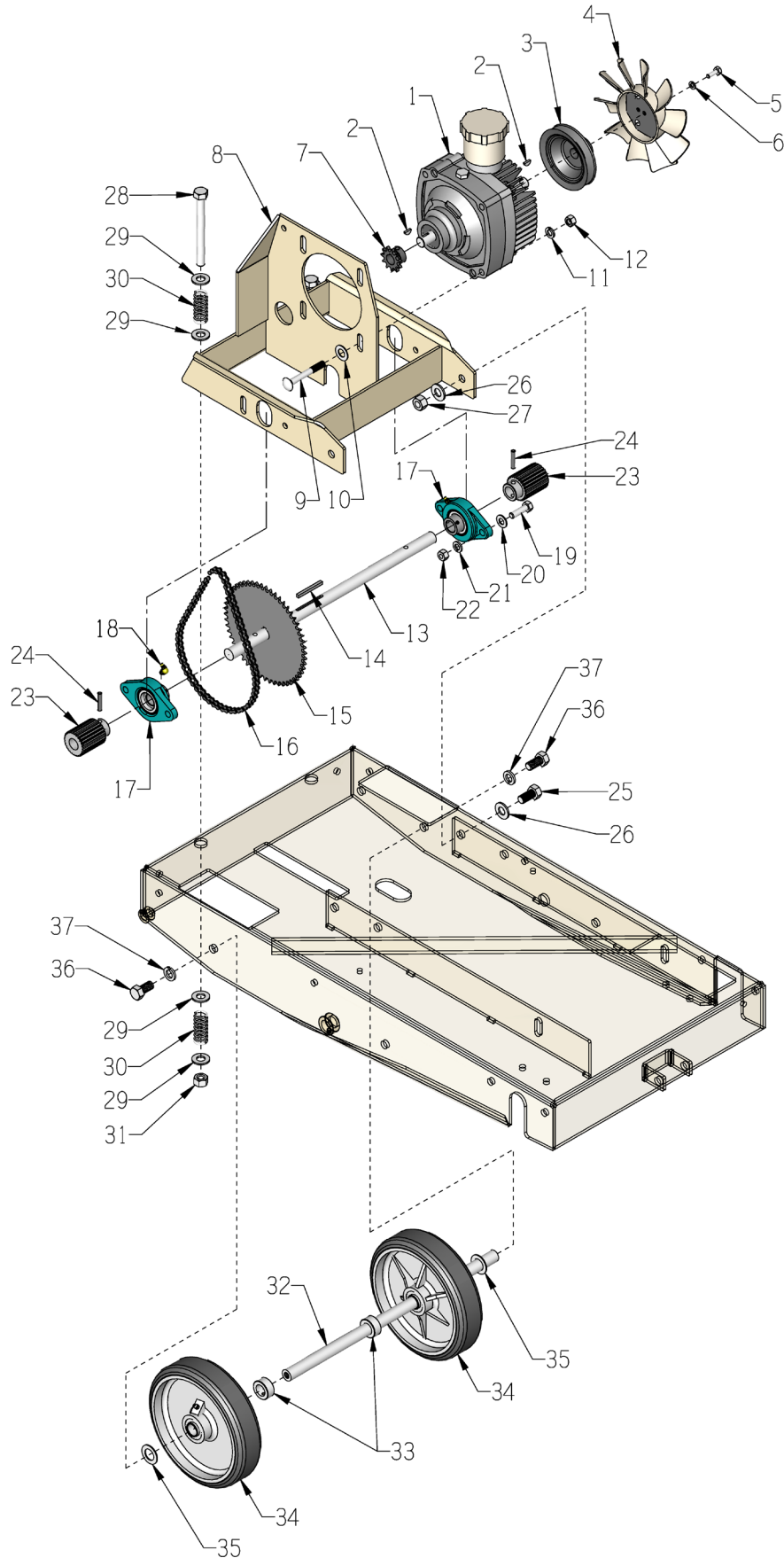
# MODEL SS20-13H

## ILLUSTRATION 9: ARBOR ASSEMBLY FOR 16" MODEL



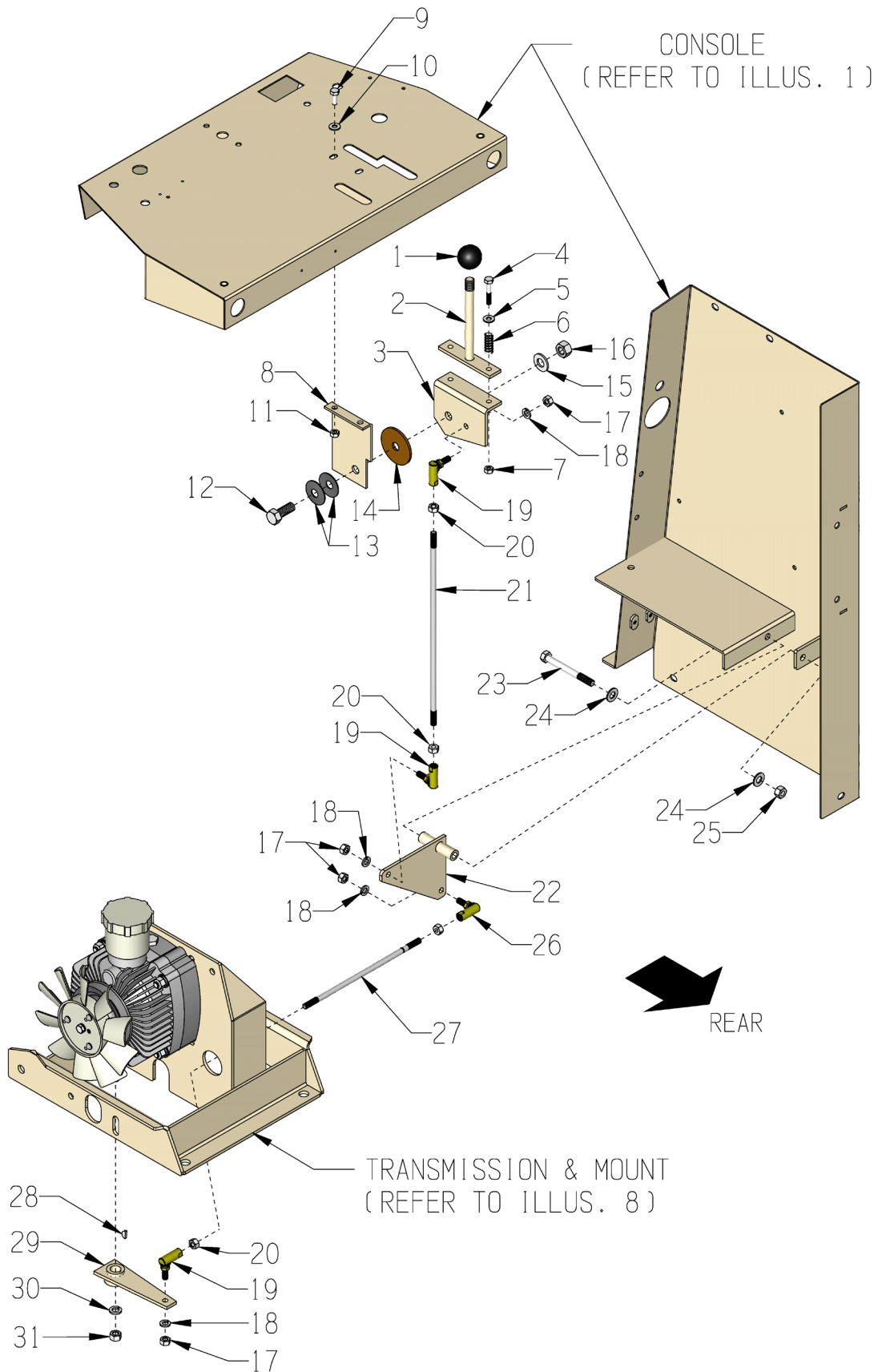
<b>PARTS LISTING - ILLUSTRATION 9: ARBOR ASSEMBLY FOR 16" MODEL</b>			
<b>ITEM #</b>	<b>PART #</b>	<b>DESCRIPTION</b>	<b>QTY.</b>
1	56208B	ARBOR ASSEMBLY, SS20-13H (INCLUDES ITEMS 2 THRU 12)	1
2	56208	ARBOR SHAFT 23-3/8"L	1
3	50222	BEARING, BALL 1" TPB	2
4	10071	KEY 1/4SQ X 2-1/2	1
5	10539	SHEAVE 3.65"OD X 3GR.3V X SH	1
6	10076	BUSHING, SHEAVE SH X 1"BORE	1
7	10211	PIN, ROLL 5/16 X 2	2
8	56026	ARBOR BACKING PLATE 4"	2
9	56025	ARBOR BLADE CAP 4"OD W/1"HOLE	1
10	55009	WASHER, LOCK, INT. TOOTH 1"	2
11	50019	NUT, HEX JAM 1-14 ZINC GRADE A	2
12	10427	COLLAR, LOCKING 1"ID (SPACER)	1
13	10907	SCREW, CAP 3/8-16 X 3/4	4
14	10811	WASHER, LOCK 3/8 ZINC	4
15	50445	WRENCH, ARBOR, 1-1/2" OPEN END	2

# ILLUSTRATION 10: TRANSMISSION, JACKSHAFT & REAR AXLE GROUPING



<b>PARTS LISTING - ILLUSTRATION 10: TRANSMISSION, JACKSHAFT &amp; REAR AXLE GROUPING</b>			
ITEM #	PART #	DESCRIPTION	QTY.
1	50061	TRANSMISSION, HYDROSTATIC	1
2	50071	KEY, WOODRUFF 1/8 X 1/2 (SAE #3)	2
3	50062	SHEAVE, TRANS. 4"OD X 1GR. X .671"B	1
4	50266	FAN BLADE W/ PLATE 7", TRANSMISSION	1
5	10038	WASHER, LOCK 1/4 ZINC	1
6	10018	SCREW, CAP 1/4-20 X 3/4	1
7	50048	SPROCKET #3511 X .67"BORE	1
8	51209	MOUNT, TRANSMISSION, SS-20	1
9	10909	BOLT, CARRIAGE 3/8-16 X 3 ZINC	4
10	10040	WASHER, GARRET 17/32 X 1 X .054	4
11	10811	WASHER, LOCK 3/8 ZINC	4
12	10404	NUT, HEX 3/8-16 ZINC	4
13	51217	JACKSHAFT 3/4 X 17, SS-20	1
14	10168	KEY 3/16SQ X 2	1
15	51265	SPROCKET #35B54 X 3/4"BORE W/ KW	1
16	51266	CHAIN #35 X 24-1/2 + OL + CL	1
17	50049	BEARING, BALL 3/4" 2-HOLE FLANGE	2
18	10961	FITTING, GREASE 1/4-28 X 90°	1
19	10309	SCREW, CAP 3/8-24 X 1-1/4 ZINC	4
20	10025	WASHER, FLAT 3/8 SAE ZINC	4
21	10811	WASHER, LOCK 3/8 ZINC	4
22	10014	NUT, HEX 3/8-24 ZINC	4
23	51264	DRIVER, REAR WHEEL, 1-5/8"OD 25T	2
24	10024	PIN, ROLL 1/4 X 1-1/4	2
25	10304	SCREW, CAP 1/2-20 X 1	1
	10308	SCREW, CAP 1/2-20 X 1-1/2 * (*SEE ILLUS. 17, 20 & 22)	1
26	10312	WASHER, FLAT 1/2 SAE ZINC	4
27	10205	NUT, HEX LOCK 1/2-20 ZINC	2
28	10376	SCREW, CAP 1/2-13 X 5	2
29	10312	WASHER, FLAT 1/2 SAE ZINC	8
30	51035	SPRING, COMP. .828"OD X 2"FL	4
31	10407	NUT, HEX LOCK 1/2-13 ZINC	2
32	51267	AXLE 3/4DIA. X 17-1/4"L, SS-20	1
33	10428	COLLAR, LOCKING 3/4"ID	2
34	51263	WHEEL 8 X 2 X 3/4"BRG, SBR RUBBER	2
35	11597	WASHER .755"ID X 1.25"OD X .060"THK	2
36	10304	SCREW, CAP 1/2-20 X 1	2
37	10045	WASHER, LOCK 1/2 ZINC	2

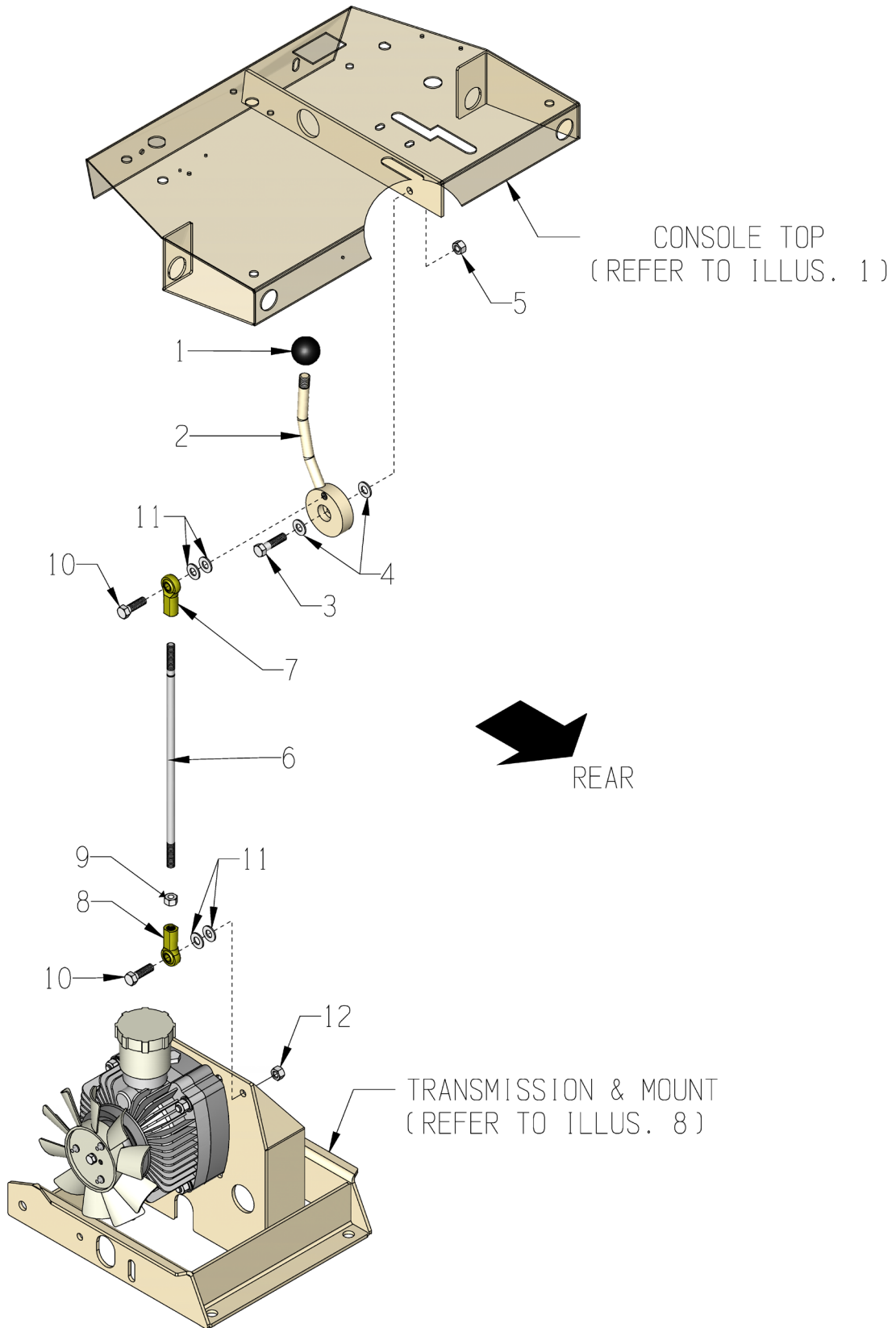
**ILLUSTRATION 11:  
DRIVE LEVER & LINKAGE GROUPING**





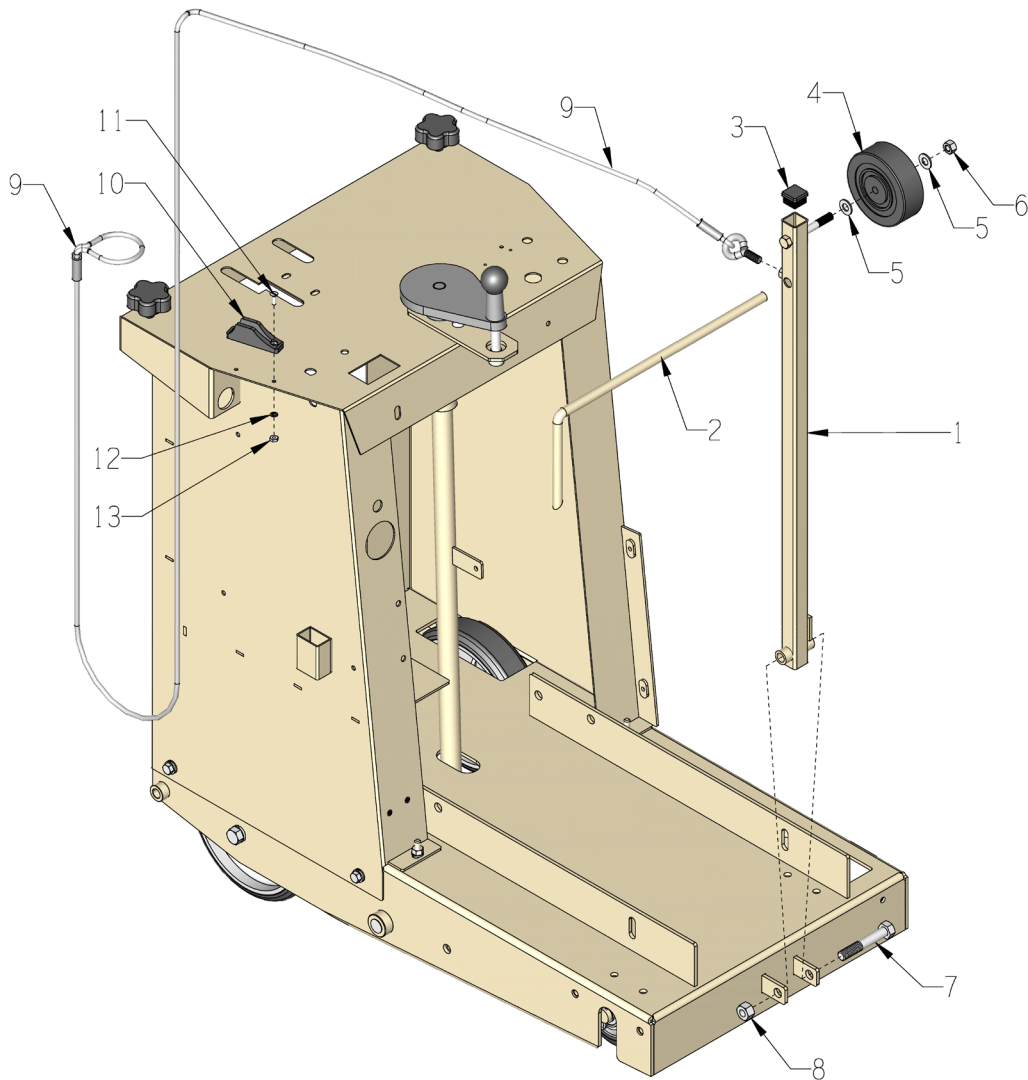
<b>PARTS LISTING - ILLUSTRATION 11: DRIVE LEVER &amp; LINKAGE GROUPING</b>			
<b>ITEM #</b>	<b>PART #</b>	<b>DESCRIPTION</b>	<b>QTY.</b>
1	14023	KNOB, BALL 1-3/8 W/ 1/2-13THD, BLK.	1
2	51210	LEVER, DRIVE, SS-20/24	1
3	51235	PLATE, DRIVE LEVER PRESSURE	1
4	10315	SCREW, CAP 1/4-20 X 1-1/2	2
5	10602	WASHER, FLAT 1/4 SAE ZINC	2
6	57471	SPRING, COMP. .468"OD X 1.25"FL	2
7	10150	NUT, HEX NYLON LOCK 1/4-20 ZINC	2
8	51211	MOUNT BRKT., DRIVE LEVER	1
9	10018	SCREW, CAP 1/4-20 X 3/4	2
10	10602	WASHER, FLAT 1/4 SAE	2
11	10150	NUT, HEX NYLON LOCK 1/4-20	2
12	10321	SCREW, CAP 1/2-20 X 1-1/4	1
13	10426	WASHER, BELLEVILLE 1/2ID X 3/64THK	2
14	50428	WASHER, FIBER 2-1/4OD X 1/2ID X 1/8	1
15	10312	WASHER, FLAT 1/2 SAE ZINC	1
16	10205	NUT, HEX LOCK 1/2-20 ZINC	1
17	10424	NUT, HEX 5/16-24 ZINC	4
18	10801	WASHER, LOCK 5/16 ZINC	4
19	10840	BALL JOINT ASSY. 5/16-24 R.H. THRD.	3
20	10424	NUT, HEX 5/16-24 ZINC	3
21	51212	LINKAGE, ROD 5/16 X 13"L, SS-20/24	1
22	51214	BELL CRANK, DRIVE LINKAGE	1
23	10382	SCREW, CAP 3/8-24 X 3-1/2	1
24	10025	WASHER, FLAT 3/8 SAE ZINC	2
25	10004	NUT, HEX LOCK 3/8-24 ZINC	1
26	10840L	BALL JOINT ASSY. 5/16-24 L.H. THRD.	1
27	51213	LINKAGE, ROD 5/16 X 9"L	1
28	50071	KEY, WOODRUFF 1/8 X 1/2 (SAE #3)	1
29	51223	TRANS. CONTROL ARM, SS-20/24	1
30	10811	WASHER, LOCK 3/8 ZINC	1
31	10404	NUT, HEX 3/8-16 ZINC	1

**ILLUSTRATION 12:  
CLUTCH LEVER & LINKAGE GROUPING**



<b>PARTS LISTING - ILLUSTRATION 12: CLUTCH LEVER &amp; LINKAGE GROUPING</b>			
<b>ITEM #</b>	<b>PART #</b>	<b>DESCRIPTION</b>	<b>QTY.</b>
1	14023	KNOB, BALL 1-3/8 W/ 1/2-13THD, BLK.	1
2	51215	LEVER, CLUTCH, SS-20/24	1
3	10816	SCREW, CAP 3/8-24 X 1-1/2	1
4	10025	WASHER, FLAT 3/8 SAE ZINC	2
5	10004	NUT, HEX LOCK 3/8-24 ZINC	1
6	51216	LINKAGE, ROD 3/8 X 13"L, SS-20/24	1
7	10919L	ROD END, FEMALE 3/8-24 L.H. THREAD	1
8	10919	ROD END, FEMALE 3/8-24 R.H. THREAD	1
9	10014	NUT, HEX 3/8-24 ZINC	1
10	10309	SCREW, CAP 3/8-24 X 1-1/4 ZINC	2
11	10025	WASHER, FLAT 3/8 SAE ZINC	2
12	10004	NUT, HEX LOCK 3/8-24 ZINC	1

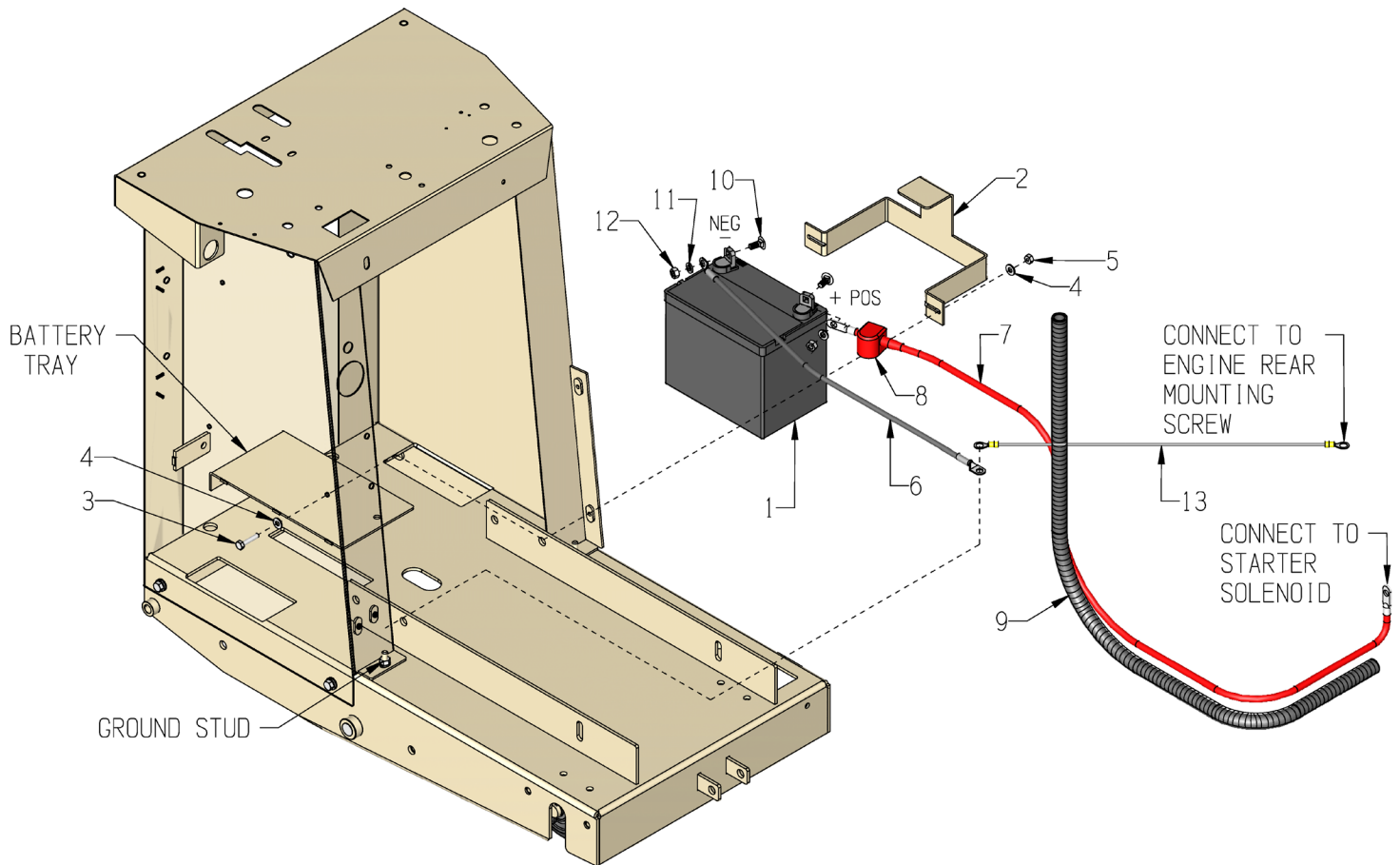
### ILLUSTRATION 13: GUIDE BAR GROUPING



ITEM #	PART #	DESCRIPTION	QTY.
1	56304	GUIDE BAR	1
2	51012	GUIDE POINTER, FRONT	1
3	51078	PLUG, SQ. TUBE 1 X 14 GA., BLACK	1
4	50024	WHEEL 4 X 1-3/8 X 3/8"BORE	1
5	10025	WASHER, FLAT 3/8 SAE ZINC	2
6	10156	NUT, HEX NYLON LOCK 3/8-16	1
7	10499	SCREW, CAP 1/2-13 X 3	1
8	10155	NUT, HEX NYLON LOCK 1/2-13	1
9	51260	ROPE, GUIDE BAR, SS-20	1
10	11591	ROPE CLEAT, NYLON JAM 3/16"-5/16"	1
11	11594	SCREW, MACHINE 10-32 X 5/8, SLT.FLT	2
12	10831	WASHER, LOCK, INT. TOOTH #10	2
13	10832	NUT, KEPS LOCK 10-32 ZINC	2

## MODELS SS20-20H, SS20-24H &amp; SS20-23.5P

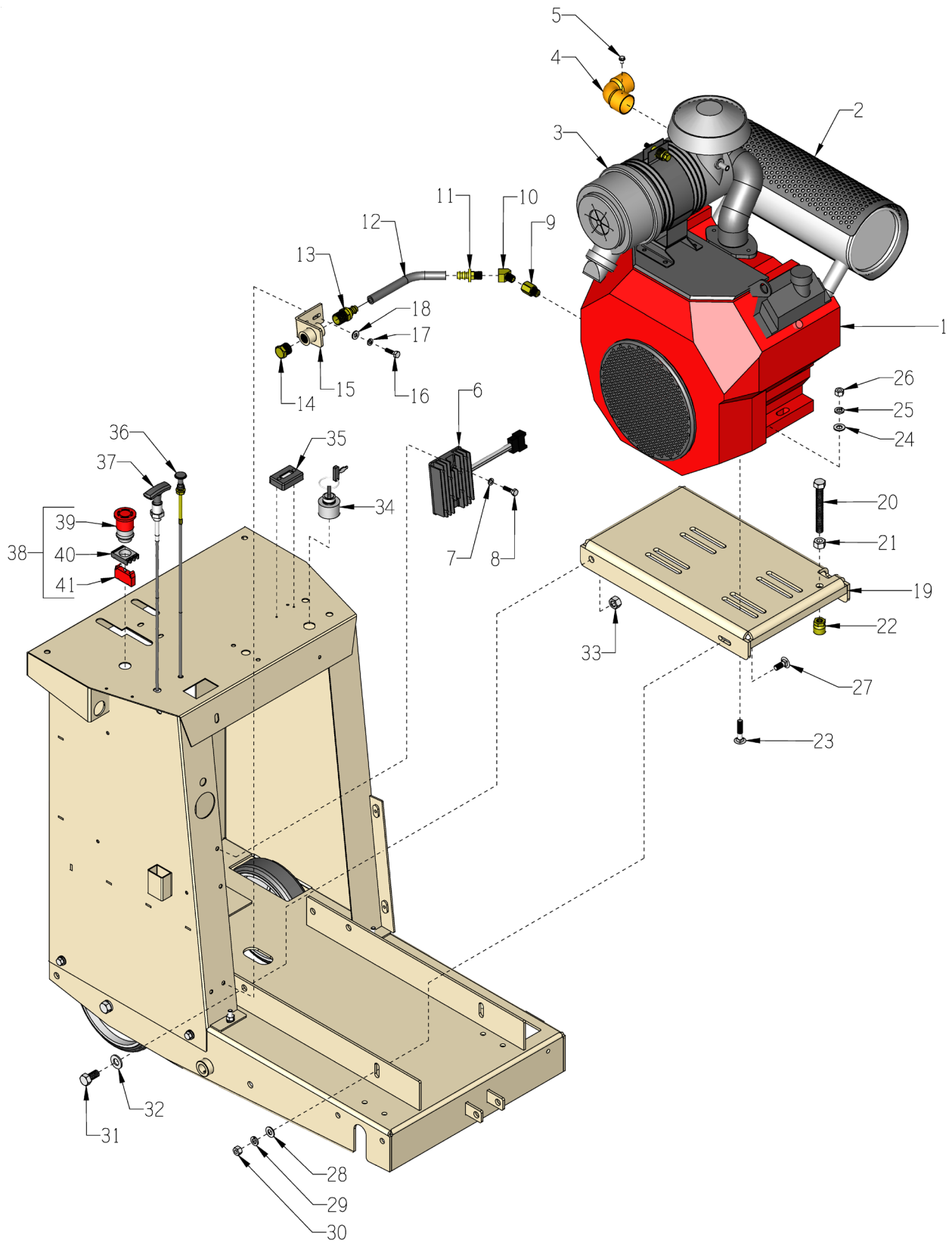
## ILLUSTRATION 14: BATTERY GROUPING



ITEM #	PART #	DESCRIPTION	QTY.
1	84011	BATTERY 12 VOLT/300 CCA(SMALL ENG.)	1
2	50091	CLAMP, BATTERY HOLD DOWN	1
3	10905	SCREW, CAP 1/4-20 X 1-1/4	2
4	10602	WASHER, FLAT 1/4 SAE	4
5	10150	NUT, HEX NYLON LOCK 1/4-20	2
6	50117B	CABLE, EYE-EYE 4GA. X 24" (BLACK)	1
7	61064	CABLE, EYE-EYE 4GA. X 40" (RED)	1
8	11583	INSULATOR, BAT.TERM. U-1 STYLE( RED)	1
9	51242	LOOM, FLEX 5/8" X 59"L (HONDA GX630/690)	1
	51243	LOOM, FLEX 5/8" X 55"L (KOHLER CH730LP)	1
10	10818	BOLT, CARRIAGE 5/16-18 X 3/4 F.T.	2
11	10801	WASHER, LOCK 5/16 ZINC	2
12	10054	NUT, HEX 5/16-18 ZINC	2
13	51451	WIRE, GROUND, 10GA X 18", SS20/24	1

MODELS SS20-20H & SS20-24H

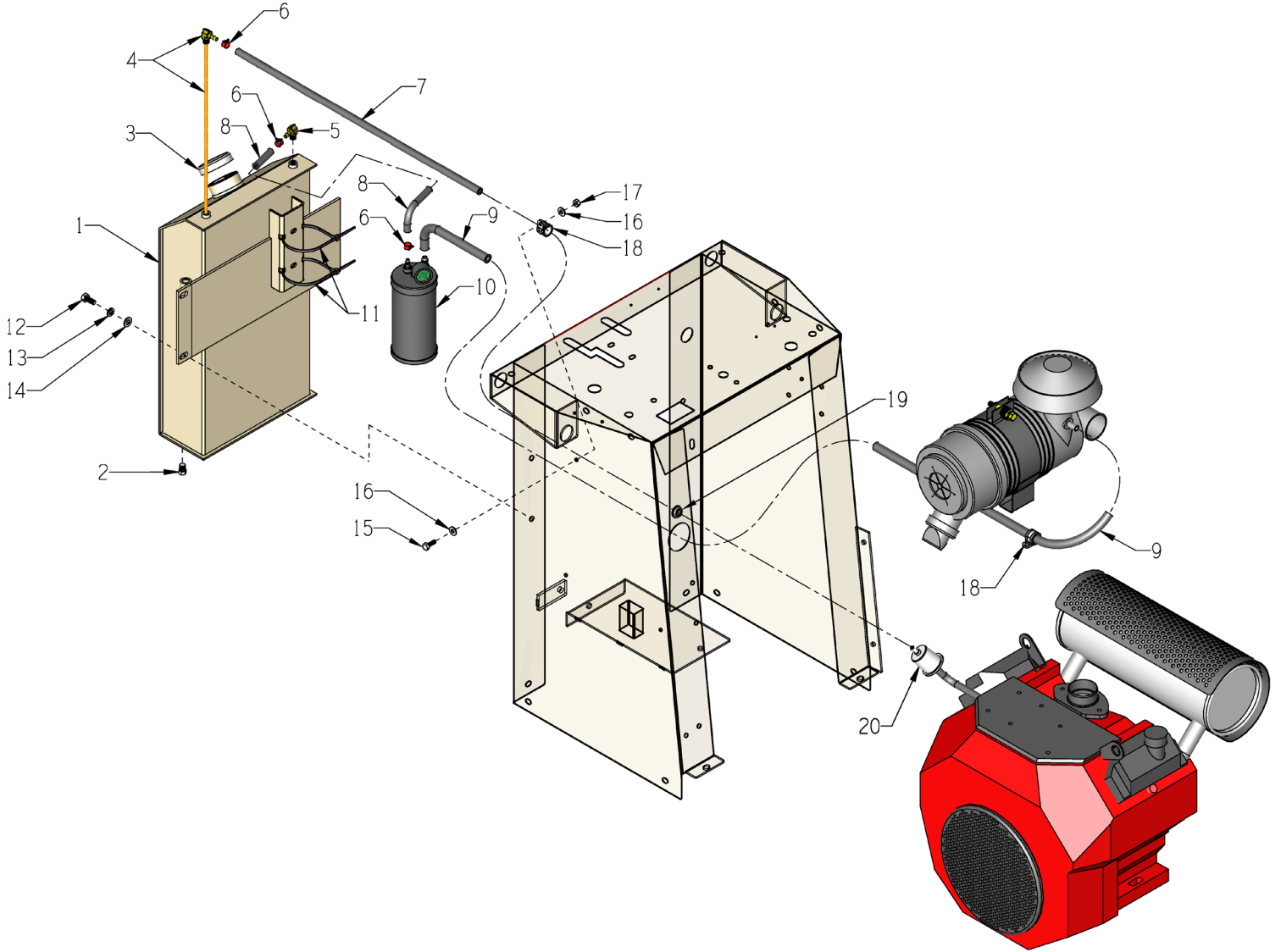
**ILLUSTRATION 15:**  
GASOLINE ENGINE GROUPING FOR  
HONDA MODELS GX630 & GX690



PARTS LISTING - ILLUSTRATION 15: GASOLINE ENGINE GROUPING FOR HONDA MODELS GX630 & GX690			
ITEM #	PART #	DESCRIPTION	QTY.
1	15080	ENGINE	1
	15084	HONDA GX630RHTXF2 HONDA GX690RHR-TXF2	1
2	15246	MUFFLER, HONDA V2MFLRHIR	1
3	15247	AIR CLEANER/FILTER, HONDA DNLS5	1
4	51224	ELBOW, SOLDER JOINT 1-1/4 X 90°	1
5	10877	SCREW, CAP STSHW 10-24 X 1/2	1
6	N/A*	REGULATOR RECTIFIER 20A (INCLUDED W/ ENGINE) *HONDA P/N 31750-Z2E-803. SEE YOUR LOCAL HONDA PARTS DEALER FOR REPLACEMENT.	1
7	10602	WASHER, FLAT 1/4 SAE ZINC	2
8	10031	SCREW, CAP 1/4-20 X 1	2
9	11689	ADAPTER, 20MM X 1.5 TO 1/4FPT	1
10	10716	ELBOW, STREET 1/4NPT X 45 (BRASS)	1
11	11579	BARB, PUSH-ON 1/2HOSE X 1/4 MPT	1
12	51237	HOSE, PUSH-ON 1/2"ID X 7"L	1
13	80061	BARB, PUSH-ON 1/2HOSE X 1/2MPT	1
14	50552	PIPE PLUG 1/2 NPT (BRASS)	1
15	57159	BRACKET, OIL DRAIN	1
16	10018	SCREW, CAP 1/4-20 X 3/4	2
17	10038	WASHER, LOCK 1/4 ZINC	2
18	10602	WASHER, FLAT 1/4 SAE ZINC	2
19	51208	MOUNT, ENGINE, SS-20/24	1
20	10392	BOLT, TAP 1/2-13 X 4 (FULL THREAD)	1
21	10417	NUT, HEX 1/2-13 ZINC	1
22	50710	TOGGLE PAD 7/8"D X 15/16"H X 1/2-13	1
23	10087	BOLT, CARRIAGE 3/8-16 X 1-3/4	4
24	10025	WASHER, FLAT 3/8 SAE ZINC	4
25	10811	WASHER, LOCK 3/8 ZINC	4
26	10404	NUT, HEX 3/8-16 ZINC	4
27	10802	BOLT, CARRIAGE 3/8-16 X 1 ZINC	2
28	10025	WASHER, FLAT 3/8 SAE ZINC	2
29	10811	WASHER, LOCK 3/8 ZINC	2
30	10404	NUT, HEX 3/8-16 ZINC	2
31	10304	SCREW, CAP 1/2-20 X 1	2
32	10312	WASHER, FLAT 1/2 SAE ZINC	2
33	10205	NUT, HEX LOCK 1/2-20 ZINC	2
34	15253M	SWITCH ASSY., SS20/24 GX630/690	1
	15080-1	INCLUDES WIRE HARNESS AND 2 KEYS. SEE PAGE 39. KEY, IGNITION FOR HONDA GX630/690 (2 PACK)	1
35	15138	HOUR METER, INDUCTIVE (INCLUDES MOUNTING HARDWARE)	1
36	15129	CABLE, CHOKE CONTROL 72" (CUT TO 28")	1
37	51081	CABLE, TURN-TO-LOCK CONTROL 72" (CUT TO 37")	1
38	15275-R	SWITCH, E-STOP W/ RED N.C. CONTACT	1
39	15275	PUSHBUTTON, TURN TO RELEASE E-STOP	1
40	15276	MOUNTING ADAPTER, PUSHBUTTON	1
41	15278	CONTACT ELEMENT, NC RED LM2TC01	1

MODELS SS20-20H & SS20-24H

**ILLUSTRATION 16:**  
FUEL TANK GROUPING FOR  
HONDA MODELS GX630 & GX690

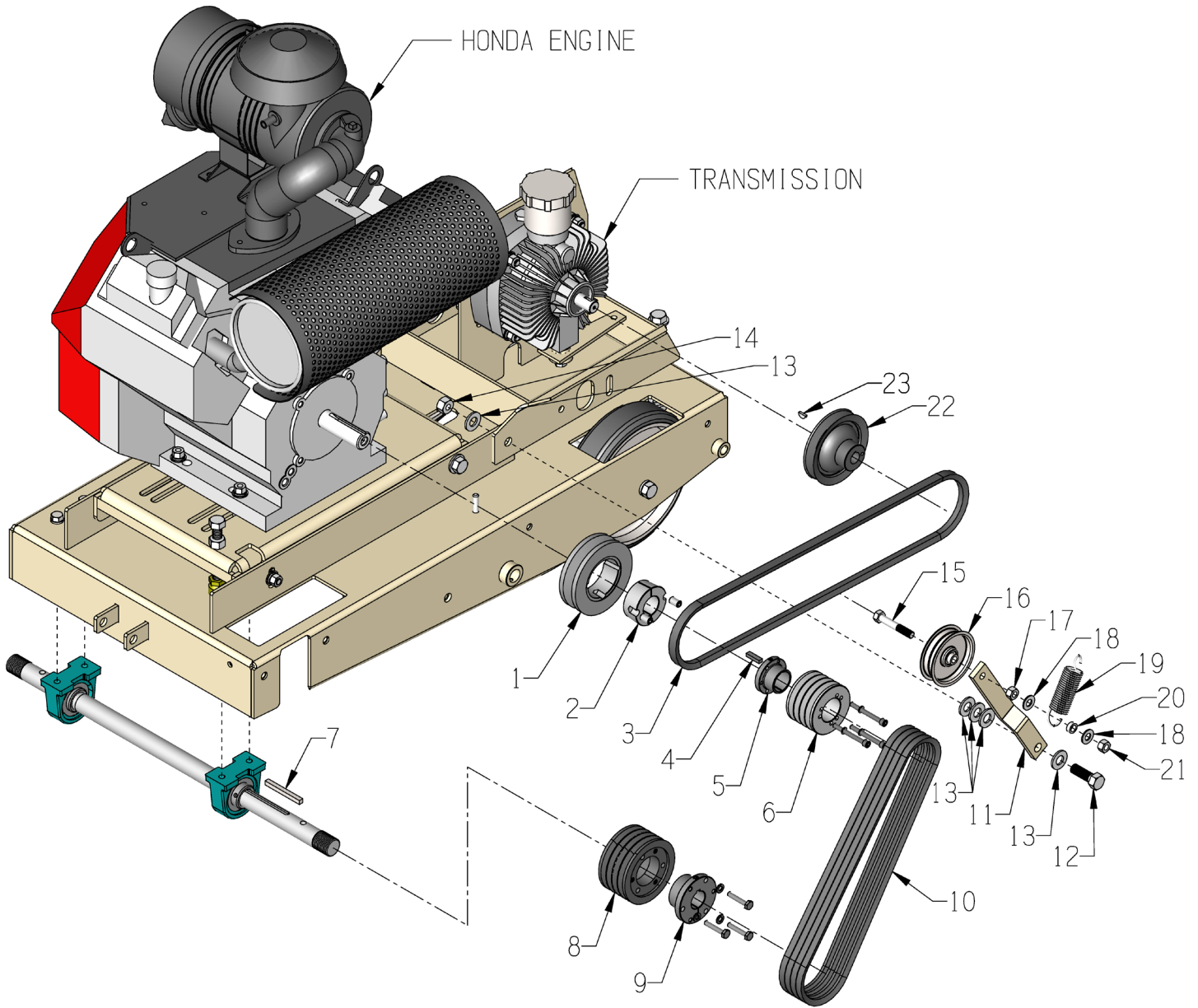




<b>PARTS LISTING - ILLUSTRATION 16: FUEL TANK GROUPING FOR HONDA MODELS GX630 &amp; GX690</b>			
<b>ITEM #</b>	<b>PART #</b>	<b>DESCRIPTION</b>	<b>QTY.</b>
1	51221	TANK, FUEL 3 GAL., SS-20	1
2	11650	PIPE PLUG 1/8 NPT (BRASS) INCLUDED W/ ITEM 1 - FUEL TANK	1
3	61081	CAP, FUEL TANK W/ VITON GASKET	1
4	61058	TUBE, FUEL PICK-UP 19"	1
5	10771	BARB ELBOW 90, 1/4HOSE X 1/8MPT	1
6	10763	CLAMP, HOSE, SPRING-BAND 7/16"	4
7	51370	HOSE 1/4"ID X 23"L	1
8	51371	HOSE 1/4"ID X 6"L	1
9	51372	HOSE 3/8"ID X 52-1/2"L	1
10	51297	CANISTER, CARBON 468888A FOR HONDA	1
11	10982	TIE, CABLE, BLACK NYLON 11-1/4"	2
12	10053	SCREW, CAP 5/16-18 X 3/4	3
13	10801	WASHER, LOCK 5/16 ZINC	3
14	10213	WASHER, FLAT 5/16 SAE ZINC	3
15	10018	SCREW, CAP 1/4-20 X 3/4	1
16	10602	WASHER, FLAT 1/4 SAE ZINC	2
17	10861	NUT, KEPS LOCK 1/4-20 ZINC	1
18	11565	CLAMP, LOOM, 5/8" (SAE SIZE 10)	2
19	57148	GROMMET 3/8ID X 1/8GRV. X 5/8GD	1
20	15116	FILTER, FUEL 1/4" IN LINE (EDCO REPLACEMENT)	1
	N/A*	HONDA OEM: P/N 16910-Z6L-003 *SEE YOUR LOCAL HONDA PARTS DEALER FOR REPLACEMENT.	

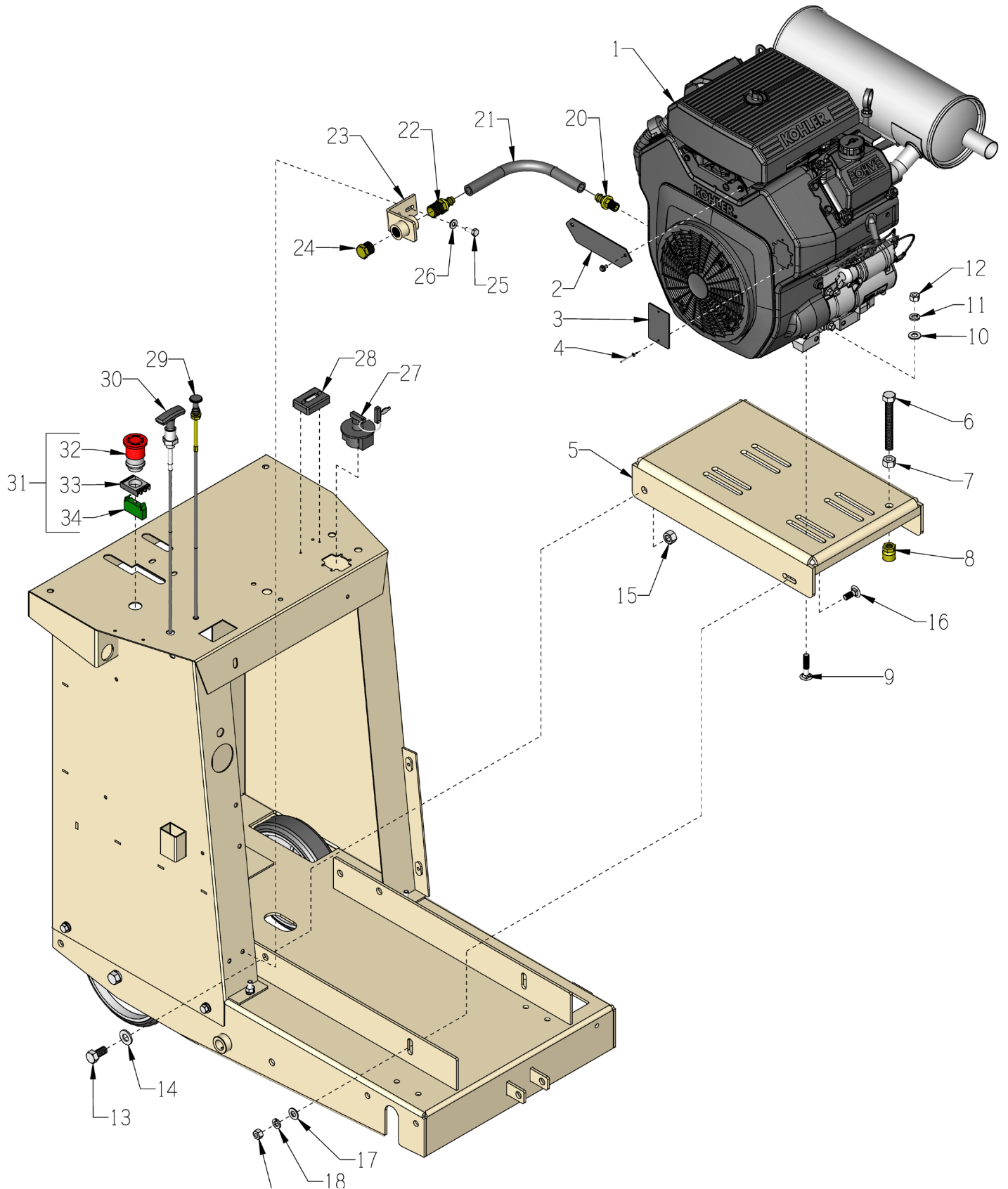
MODELS SS20-20H & SS20-24H

**ILLUSTRATION 17:**  
BELT DRIVE GROUPING FOR HONDA  
ENGINE MODELS GX630 & GX690



<b>PARTS LISTING - ILLUSTRATION 17: BELT DRIVE GROUPING FOR HONDA ENGINE MODELS GX630 &amp; GX690</b>			
<b>ITEM #</b>	<b>PART #</b>	<b>DESCRIPTION</b>	<b>QTY.</b>
1	10528	SHEAVE 4.15"OD X 1GR.AB X TPR-LOCK	1
2	10529	BUSHING, SHEAVE TAPER-LOCK 1-1/8"B	1
3	10203	BELT A-46	1
4	10071	KEY 1/4SQ X 2-1/2	1
5	10533	BUSHING, SHEAVE JA X 1-1/8"BORE (INCLUDES HARDWARE)	1
6	64037	SHEAVE 2.8"OD X 4GR.3V X JA	1
7	10071	KEY 1/4SQ X 2-1/2	1
8	10504	SHEAVE 3.65"OD X 4GR.3V X SH	1
9	10076	BUSHING, SHEAVE SH X 1"BORE (INCLUDES HARDWARE)	1
10	10201	BELT 3VX-335	4
11	51052	IDLER ARM	1
12	10308	SCREW, CAP 1/2-20 X 1-1/2	1
13	10312	WASHER, FLAT 1/2 SAE	5
14	10205	NUT, HEX LOCK 1/2-20 ZINC	1
15	10336	SCREW, CAP 3/8-24 X 2-1/4	1
16	51226	IDLER PULLEY 2.75 X 3/4FLAT X 3/8	1
17	10014	NUT, HEX 3/8-24 ZINC	1
18	10025	WASHER, FLAT 3/8 SAE	2
19	50074	SPRING, EXT. 1"OD X 3-15/16	1
20	10113	SPACER, STEEL 9/16OD X 3/8ID X 7/32	1
21	10004	NUT, HEX LOCK 3/8-24 ZINC	1
22	50062	SHEAVE, TRANS. 4"OD X 1GR. X .671"B	1
23	50071	KEY, WOODRUFF 1/8 X 1/2 (SAE #3)	1

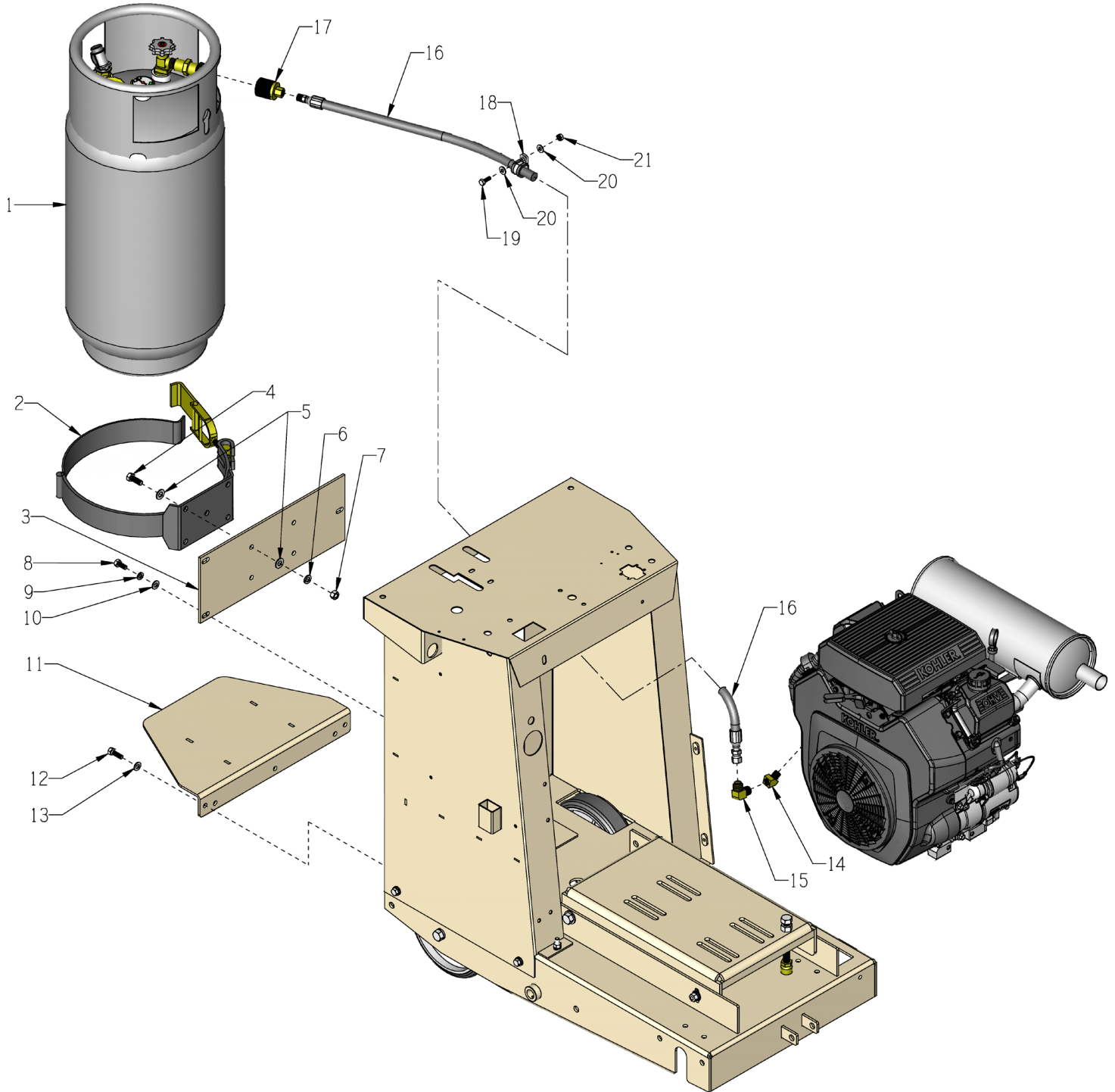
ILLUSTRATION 18: PROPANE ENGINE GROUPING



<b>PARTS LISTING - ILLUSTRATION 18: PROPANE ENGINE GROUPING</b>			
<b>ITEM #</b>	<b>PART #</b>	<b>DESCRIPTION</b>	<b>QTY.</b>
1	15058	ENGINE, KOHLER CH730 PROPAN	1
2	100446	COVER, CH730 THROTTLE/CHOKE OPENING	1
3	100445	COVER, CH730 KEY SWITCH HOLE	1
4	10128	RIVET, BLIND 1/8 X .275L X .250HD	2
5	100761	ENGINE MOUNT WELDMENT, SS24-23.5P	1
6	10373	BOLT, TAP 1/2-13 X 5 (FULL THREAD)	1
7	10417	NUT, HEX 1/2-13 ZINC	1
8	50710	TOGGLE PAD 7/8"D X 15/16"H X 1/2-13	1
9	10087	BOLT, CARRIAGE 3/8-16 X 1-3/4	4
10	10025	WASHER, FLAT 3/8 SAE ZINC	4
11	10811	WASHER, LOCK 3/8 ZINC	4
10	10404	NUT, HEX 3/8-16 ZINC	4
13	10304	SCREW, CAP 1/2-20 X 1	2
14	10312	WASHER, FLAT 1/2 SAE ZINC	2
15	10205	NUT, HEX LOCK 1/2-20 ZINC	2
16	10802	BOLT, CARRIAGE 3/8-16 X 1 ZINC	2
17	10025	WASHER, FLAT 3/8 SAE ZINC	2
18	10811	WASHER, LOCK 3/8 ZINC	2
19	10404	NUT, HEX 3/8-16 ZINC	2
20	50554	BARB, PUSH-ON 1/2HOSE X 3/8MPT	1
21	51244	HOSE, PUSH-ON 1/2"ID X 9-1/2"L	1
22	80061	BARB, PUSH-ON 1/2HOSE X 1/2MPT	1
23	57159	BRACKET, OIL DRAIN	1
24	50552	PIPE PLUG 1/2 NPT (BRASS)	1
25	10018	SCREW, CAP 1/4-20 X 3/4	2
26	10602	WASHER, FLAT 1/4 SAE ZINC	2
27	15285	SWITCH, KEY, KOHLER 25 099 30-S	1
	15285-1	KEY (SET OF 2) KOHLER 48 340 01-S	1
28	15138	HOUR METER, INDUCTIVE (INCLUDES MOUNTING HARDWARE)	1
29	15129	CABLE, CHOKE CONTROL 72" (CUT TO 32")	1
30	51081	CABLE, TURN-TO-LOCK CONTROL 72" (CUT TO 32")	
31	15275-G	SWITCH, E-STOP W/ GREEN N.O.CONTACT	1
32	15275	PUSHBUTTON, TURN TO RELEASE E-STOP	1
33	15276	MOUNTING ADAPTER, PUSHBUTTON	1
34	15277	CONTACT ELEMENT, NO GREEN LM2TC10	1

MODEL SS20-23.5P

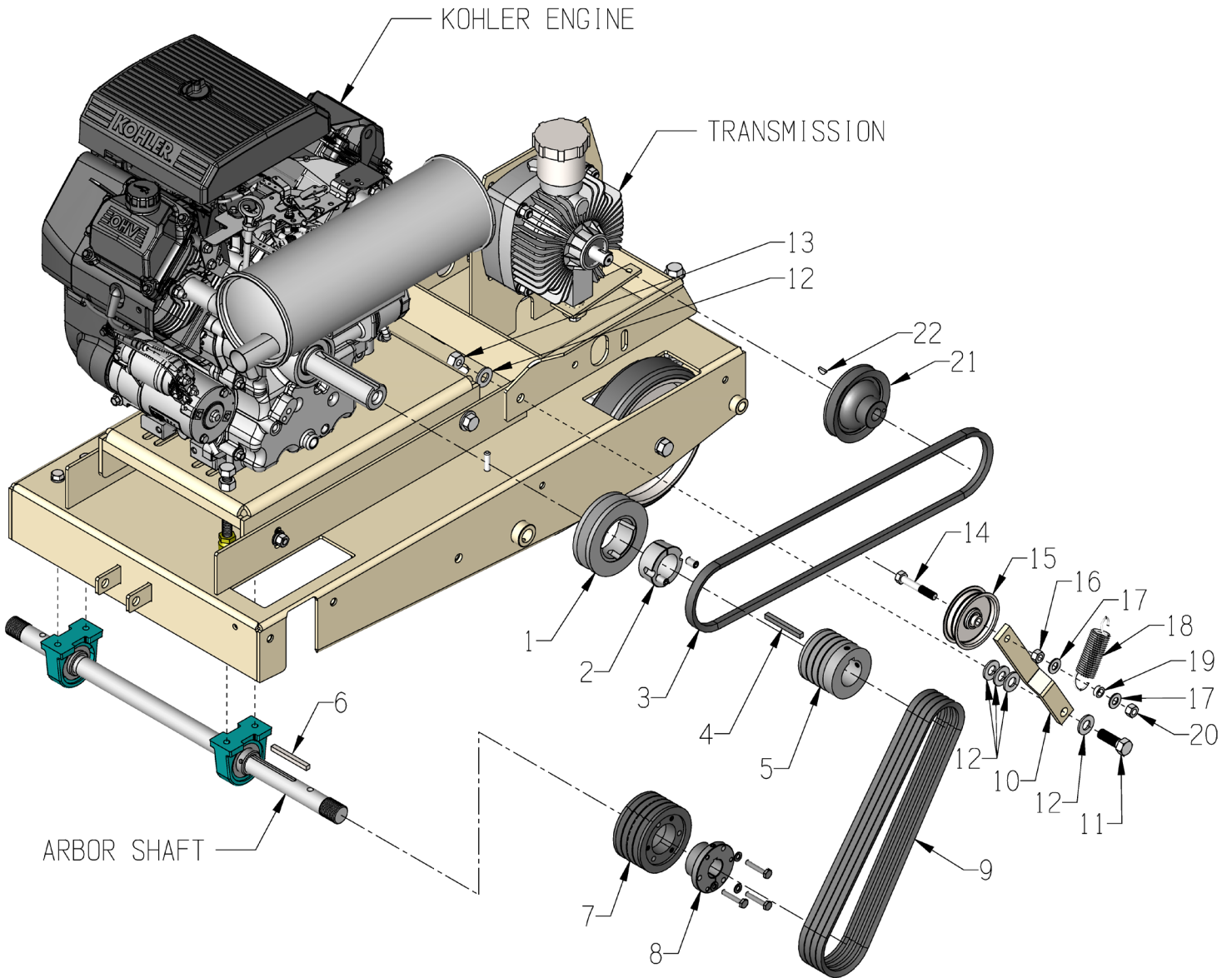
ILLUSTRATION 19: PROPANE TANK GROUPING



<b>PARTS LISTING - ILLUSTRATION 19: PROPANE TANK GROUPING</b>			
<b>ITEM #</b>	<b>PART #</b>	<b>DESCRIPTION</b>	<b>QTY.</b>
1	50473	PROPANE TANK 33LB. VERT. LIQ. WD.	1
2	15220	PROPANE TANK MOUNTING BRKT TB-227	1
3	51271	MOUNT PLATE, PROPANE TANK, SS20	1
4	10055	SCREW, CAP 3/8-16 X 1	4
5	10025	WASHER, FLAT 3/8 SAE ZINC	4
6	10811	WASHER, LOCK 3/8 ZINC	4
7	10404	NUT, HEX 3/8-16 ZINC	4
8	10053	SCREW, CAP 5/16-18 X 3/4	3
9	10801	WASHER, LOCK 5/16 ZINC	3
10	10213	WASHER, FLAT 5/16 SAE ZINC	3
11	51272	BASE SUPPORT, PROPANE TANK	1
12	10053	SCREW, CAP 5/16-18 X 3/4	3
13	10213	WASHER, FLAT 5/16 SAE ZINC	3
14	10716	ELBOW, STREET 1/4NPT X 45 (BRASS)	1
15	11667	ELBOW, 3/8FLARE X 1/4MPT X 90	1
16	15219	HOSE, HIGH PRESSURE 5/16 #6HPSS25UL	1
17	15131	COUPLING, REGO 7141F FEMALE	1
18	11565	CLAMP, LOOM, 5/8" (SAE SIZE 10)	1
19	10018	SCREW, CAP 1/4-20 X 3/4	1
20	10602	WASHER, FLAT 1/4 SAE ZINC	2
21	10861	NUT, KEPS LOCK 1/4-20 ZINC	1

MODEL SS20-23.5P

**ILLUSTRATION 20:  
BELT DRIVE GROUPING FOR PROPANE MODEL**

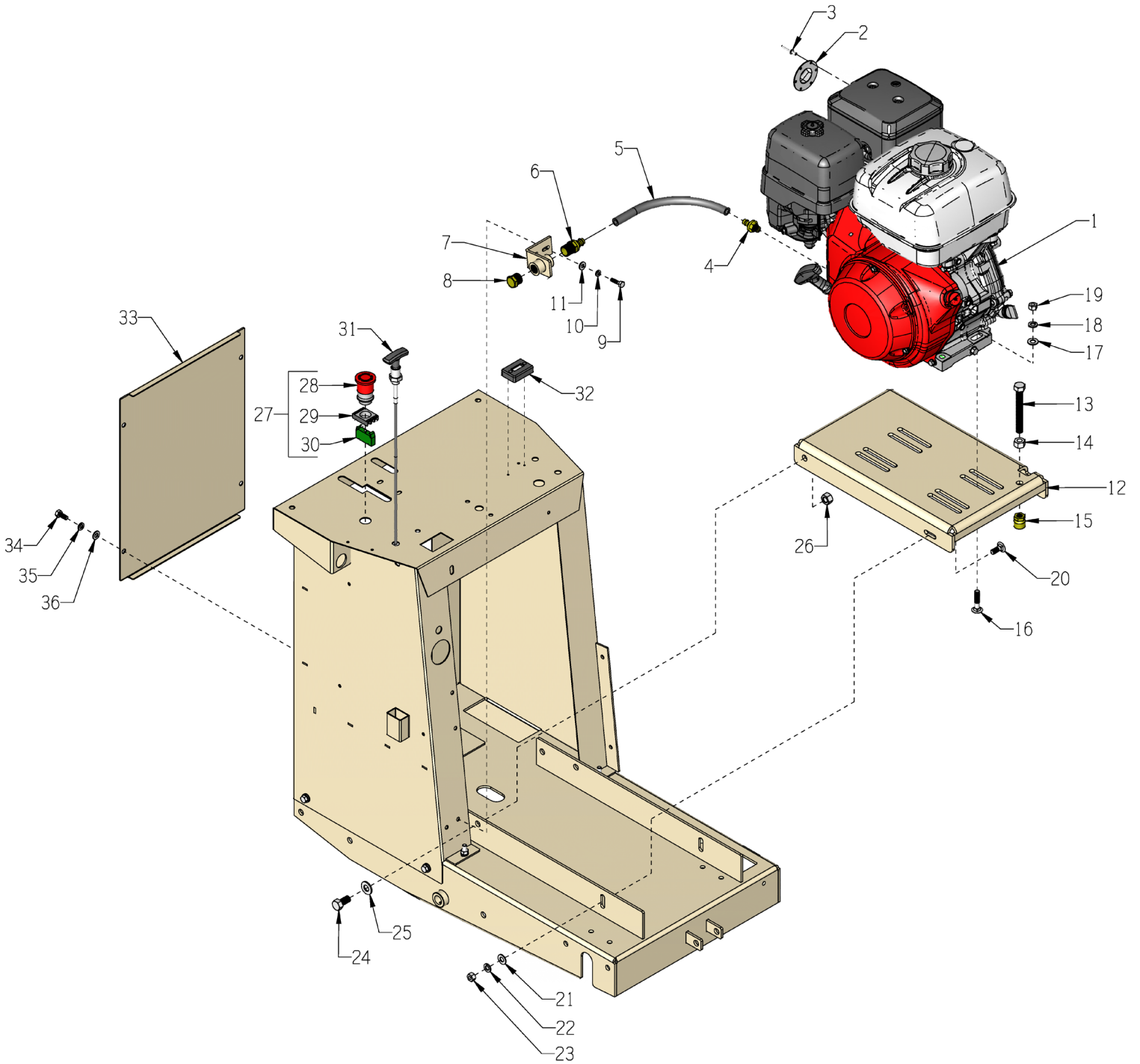




<b>PARTS LISTING - ILLUSTRATION 20: BELT DRIVE GROUPING FOR PROPANE MODEL</b>			
<b>ITEM #</b>	<b>PART #</b>	<b>DESCRIPTION</b>	<b>QTY.</b>
1	10528	SHEAVE 4.15"OD X 1GR.AB X TPR-LOCK	1
2	10531	BUSHING, TAPER-LOCK 1610 1-7/16"B	1
3	10203	BELT A-46	1
4	10071	KEY 1/4SQ X 2-1/2	1
5	64036	SHEAVE 2.8"OD X 4GR.3V X 1-7/16"B	1
6	10071	KEY 1/4SQ X 2-1/2	1
7	10504	SHEAVE 3.65"OD X 4GR.3V X SH	1
8	10076	BUSHING, SHEAVE SH X 1"BORE (INCLUDES HARDWARE)	1
9	10276	BELT 3VX-355	4
10	51052	IDLER ARM	1
11	10308	SCREW, CAP 1/2-20 X 1-1/2	1
12	10312	WASHER, FLAT 1/2 SAE ZINC	5
13	10205	NUT, HEX LOCK 1/2-20 ZINC	1
14	10336	SCREW, CAP 3/8-24 X 2-1/4	1
15	51226	IDLER PULLEY 2.75 X 3/4FLAT X 3/8	1
16	10014	NUT, HEX 3/8-24 ZINC	1
17	10025	WASHER, FLAT 3/8 SAE ZINC	2
18	50074	SPRING, EXT. 1"OD X 3-15/16	1
19	10113	SPACER, STEEL 9/16OD X 3/8ID X 7/32	1
20	10004	NUT, HEX LOCK 3/8-24 ZINC	1
21	50062	SHEAVE, TRANS. 4"OD X 1GR. X .671"B	1
22	50071	KEY, WOODRUFF 1/8 X 1/2 (SAE #3)	1

MODELS SS20-13H

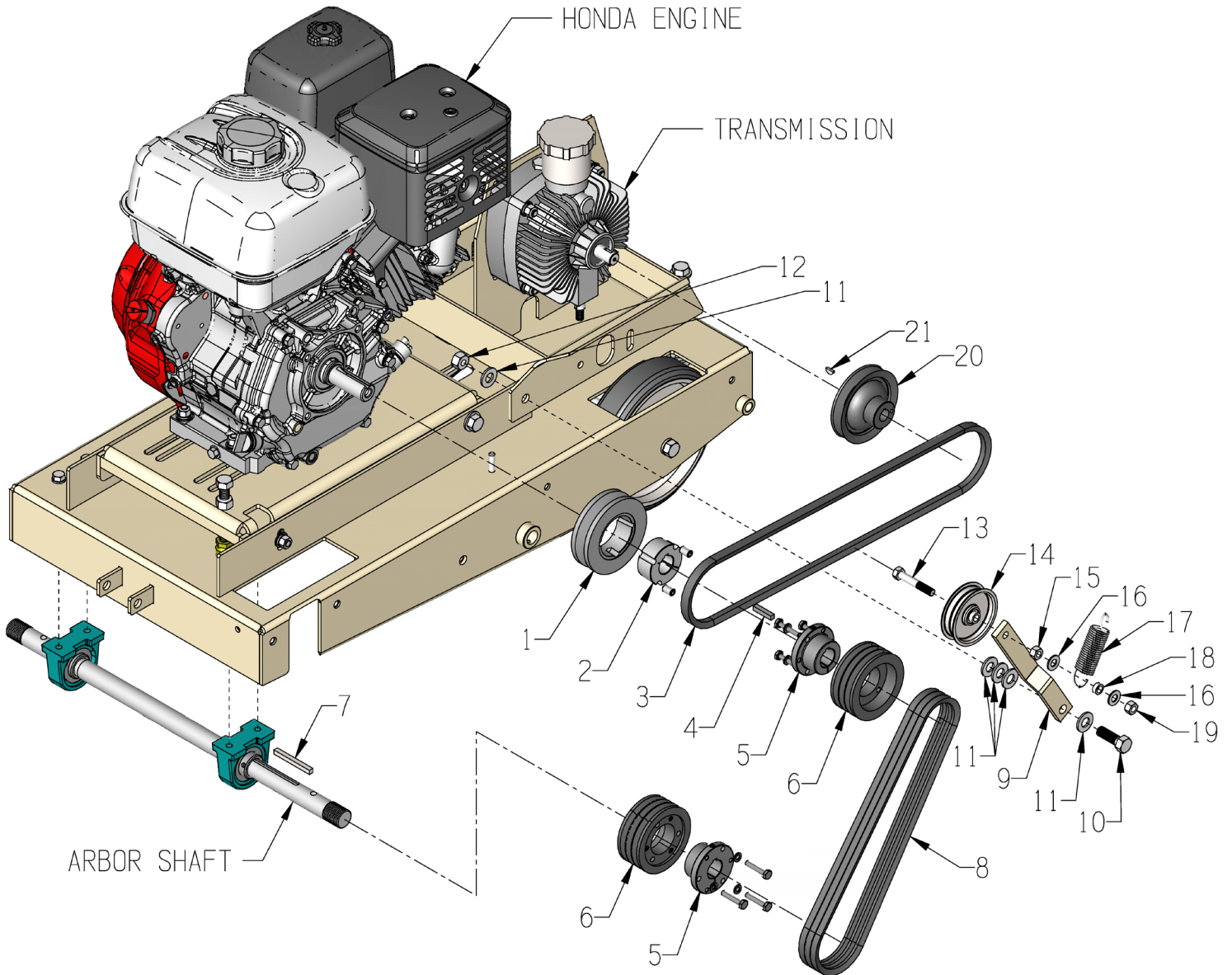
**ILLUSTRATION 21:  
GASOLINE ENGINE GROUPING FOR HONDA GX390**



<b>PARTS LISTING - ILLUSTRATION 21: GASOLINE ENGINE GROUPING FOR HONDA GX390</b>			
<b>ITEM #</b>	<b>PART #</b>	<b>DESCRIPTION</b>	<b>QTY.</b>
1	15029	ENGINE, HONDA GX390UT2-QXC9 CYC.AC	1
2	10625	MUFFLER CAP, HONDA #18331-ZE3-811	1
3	10128	RIVET, BLIND 1/8 X .275L X .250HD	2
4	11542	BARB, PUSH-ON 3/8HOSE X M12-1.5MALE	1
5	51294	HOSE, PUSH-ON 1/2"ID X 10"L	1
6	80061	BARB, PUSH-ON 1/2HOSE X 1/2MPT	1
7	57159	BRACKET, OIL DRAIN	1
8	50552	PIPE PLUG 1/2 NPT (BRASS)	1
9	10018	SCREW, CAP 1/4-20 X 3/4	2
10	10038	WASHER, LOCK 1/4 ZINC	2
11	10602	WASHER, FLAT 1/4 SAE ZINC	2
12	51208	MOUNT, ENGINE, SS-20/24	1
13	10392	BOLT, TAP 1/2-13 X 4 (FULL THREAD)	1
14	10417	NUT, HEX 1/2-13 ZINC	1
15	50710	TOGGLE PAD 7/8"D X 15/16"H X 1/2-13	1
16	10087	BOLT, CARRIAGE 3/8-16 X 1-3/4	4
17	10025	WASHER, FLAT 3/8 SAE ZINC	4
18	10811	WASHER, LOCK 3/8 ZINC	4
19	10404	NUT, HEX 3/8-16 ZINC	4
20	10802	BOLT, CARRIAGE 3/8-16 X 1 ZINC	2
21	10025	WASHER, FLAT 3/8 SAE ZINC	2
22	10811	WASHER, LOCK 3/8 ZINC	2
23	10404	NUT, HEX 3/8-16 ZINC	2
24	10304	SCREW, CAP 1/2-20 X 1	2
25	10312	WASHER, FLAT 1/2 SAE ZINC	2
26	10205	NUT, HEX LOCK 1/2-20 ZINC	2
27	15275-G	SWITCH, E-STOP W/ GREEN N.O.CONTACT	1
28	15275	PUSHBUTTON, TURN TO RELEASE E-STOP	1
29	15276	MOUNTING ADAPTER, PUSHBUTTON	1
30	15277	CONTACT ELEMENT, NO GREEN LM2TC10	1
31	51081	CABLE, TURN-TO-LOCK CONTROL 72" (CUT TO 23")	1
32	15138	HOUR METER, INDUCTIVE (OPTIONAL)	1
33	51304	GUARD, CONSOLE REAR, SS-20	1
34	10018	SCREW, CAP 1/4-20 X 3/4	4
35	10038	WASHER, LOCK 1/4 ZINC	4
36	10602	WASHER, FLAT 1/4 SAE ZINC	4

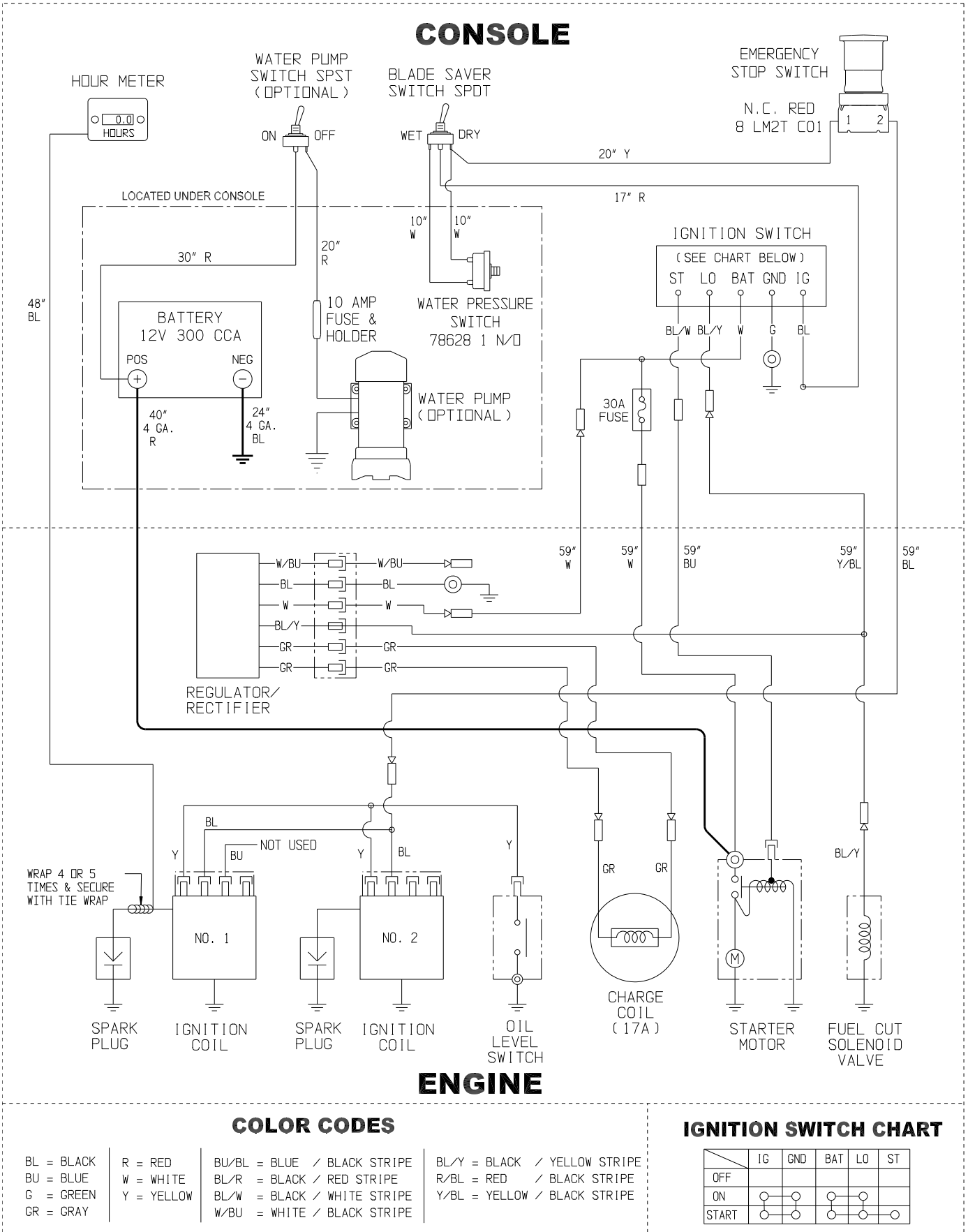
MODEL SS20-13H

**ILLUSTRATION 22:  
BELT DRIVE GROUPING FOR HONDA MODEL GX390**



<b>PARTS LISTING - ILLUSTRATION 22: BELT DRIVE GROUPING FOR HONDA ENGINE MODEL GX390</b>			
<b>ITEM #</b>	<b>PART #</b>	<b>DESCRIPTION</b>	<b>QTY.</b>
1	10528	SHEAVE 4.15"OD X 1GR.AB X TPR-LOCK	1
2	10544	BUSHING, SHEAVE TAPER-LOCK 1"BORE	1
3	51311	BELT A-50	1
4	40317	KEY 1/4SQ X 1-5/8	1
5	10076	BUSHING, SHEAVE SH X 1"BORE (INCLUDES HARDWARE)	2
6	10539	SHEAVE 3.65"OD X 3GR.3V X SH	2
7	10071	KEY 1/4SQ X 2-1/2	1
8	10201	BELT 3VX-335	3
9	51052	IDLER ARM, SS-20/24	1
10	10308	SCREW, CAP 1/2-20 X 1-1/2	1
11	10312	WASHER, FLAT 1/2 SAE ZINC	5
12	10205	NUT, HEX LOCK 1/2-20 ZINC	1
13	10336	SCREW, CAP 3/8-24 X 2-1/4	1
14	51226	IDLER PULLEY 2.75 X 3/4FLAT X 3/8	1
15	10014	NUT, HEX 3/8-24 ZINC	1
16	10025	WASHER, FLAT 3/8 SAE ZINC	2
17	50074	SPRING, EXT. 1"OD X 3-15/16	1
18	10113	SPACER, STEEL 9/16OD X 3/8ID X 7/32	1
19	10004	NUT, HEX LOCK 3/8-24 ZINC	1
20	50062	SHEAVE, TRANS. 4"OD X 1GR. X .671"B	1
21	50071	KEY, WOODRUFF 1/8 X 1/2 (SAE #3)	1

**WIRING DIAGRAM FOR HONDA MODELS GX630 & GX690**



**CONSOLE**

**ENGINE**

**COLOR CODES**

- BL = BLACK
- BU = BLUE
- G = GREEN
- GR = GRAY
- R = RED
- W = WHITE
- Y = YELLOW
- BU/BL = BLUE / BLACK STRIPE
- BL/R = BLACK / RED STRIPE
- BL/W = BLACK / WHITE STRIPE
- W/BU = WHITE / BLACK STRIPE
- BL/Y = BLACK / YELLOW STRIPE
- R/BL = RED / BLACK STRIPE
- Y/BL = YELLOW / BLACK STRIPE

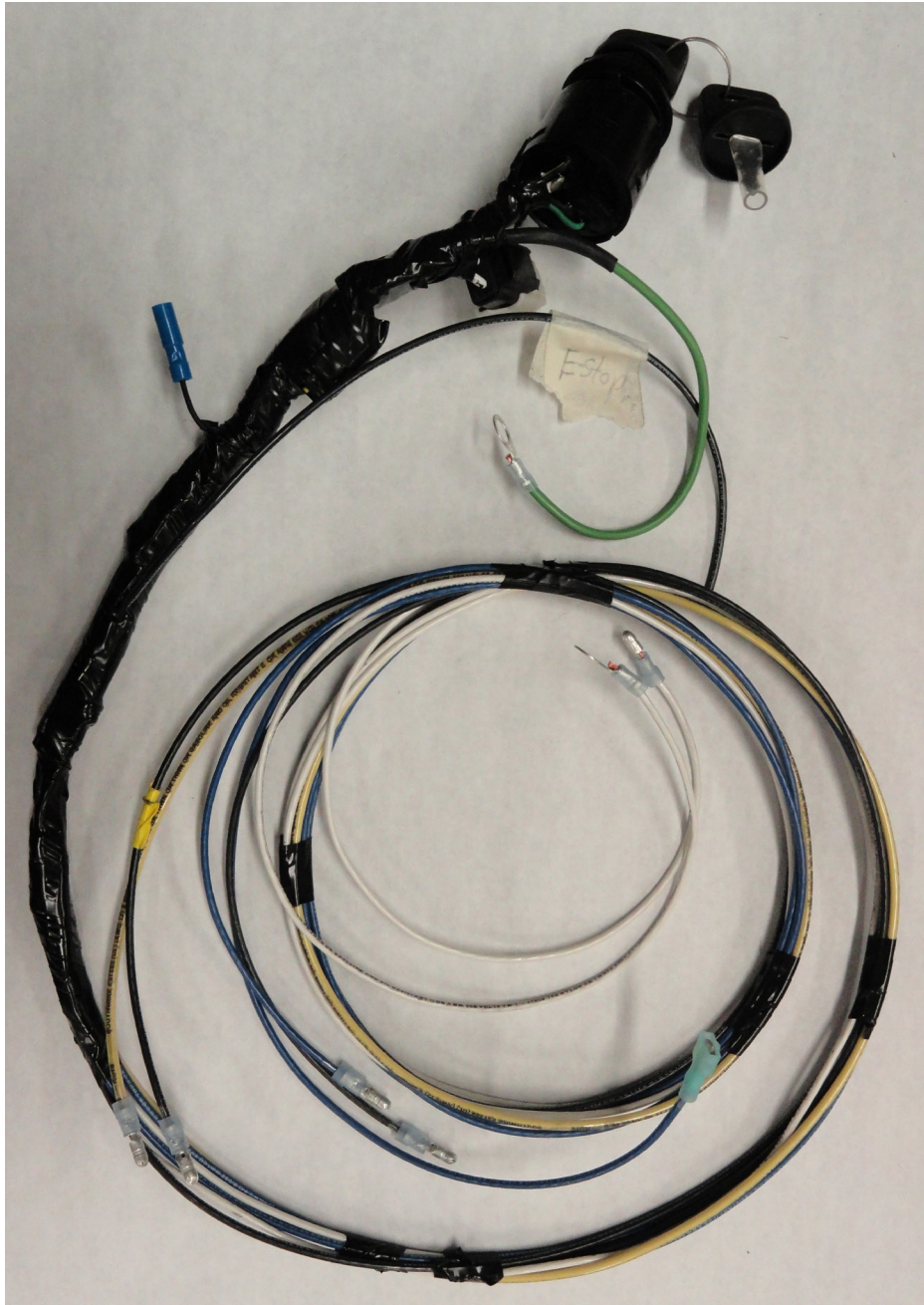
**IGNITION SWITCH CHART**

	IG	GND	BAT	LO	ST
OFF	○	○	○	○	○
ON	○	○	○	○	○
START	○	○	○	○	○

**IGNITION SWITCH ASSEMBLY FOR  
HONDA MODELS GX630 & GX690**

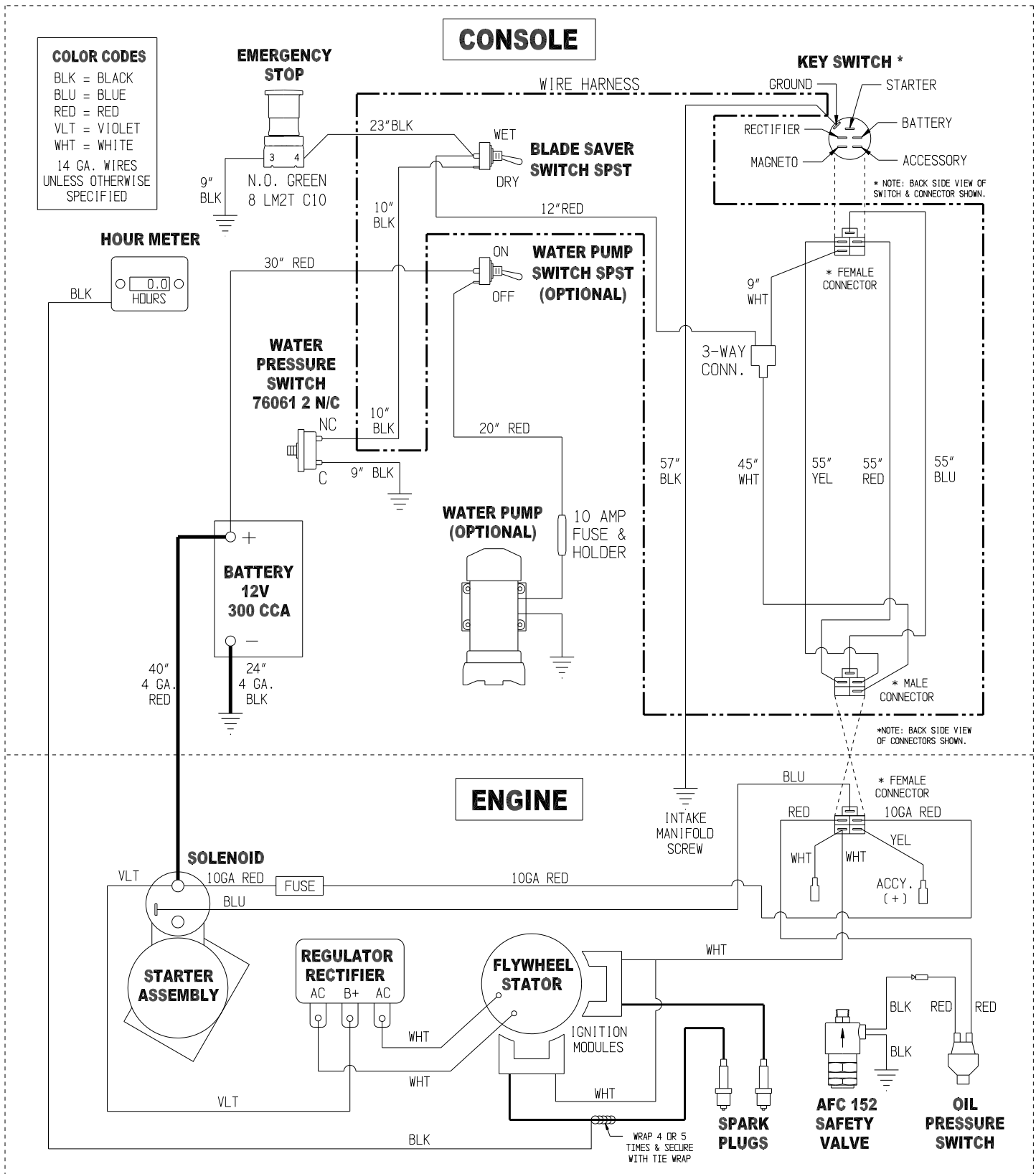
PART # 15253M SWITCH ASSEMBLY (SHOWN BELOW)

Note: This assembly is modified to extend the Ignition Switch from the engine up to the saw console. This also includes a wire loom for protection. (Not Shown)



MODEL SS20-23.5P

WIRING DIAGRAM FOR KOHLER PROPANE MODEL



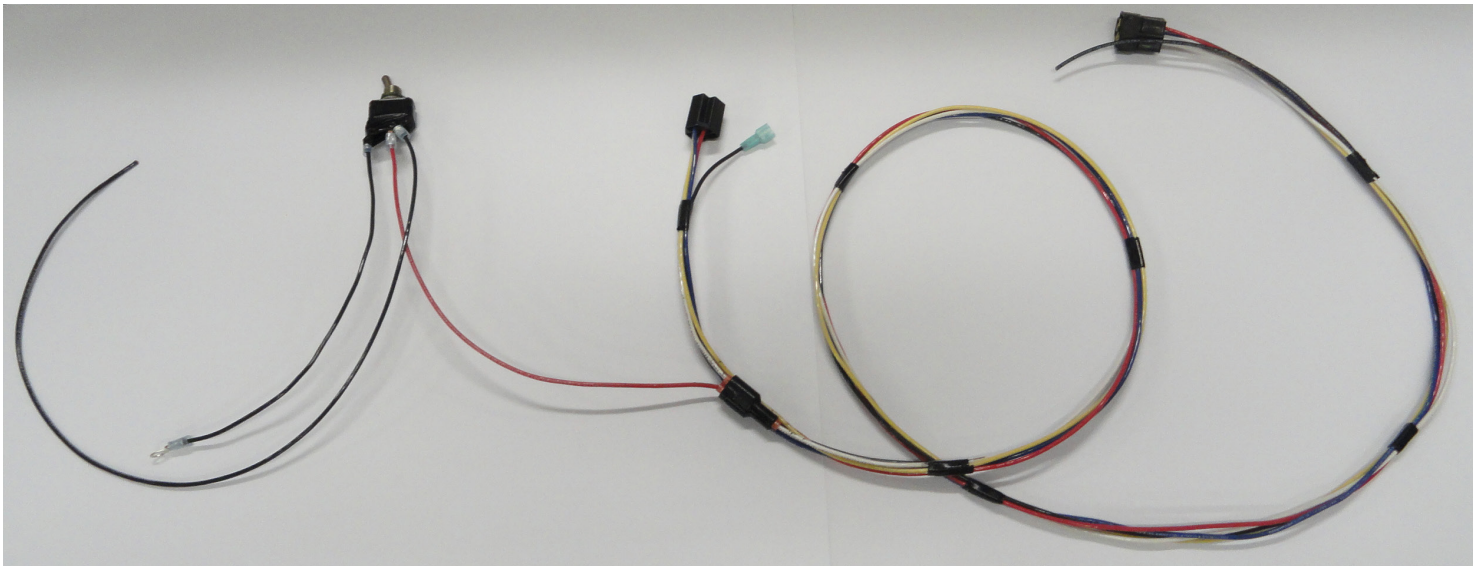


## MODEL SS20-23.5P

**WIRING HARNESS FOR KOHLER PROPANE MODEL**

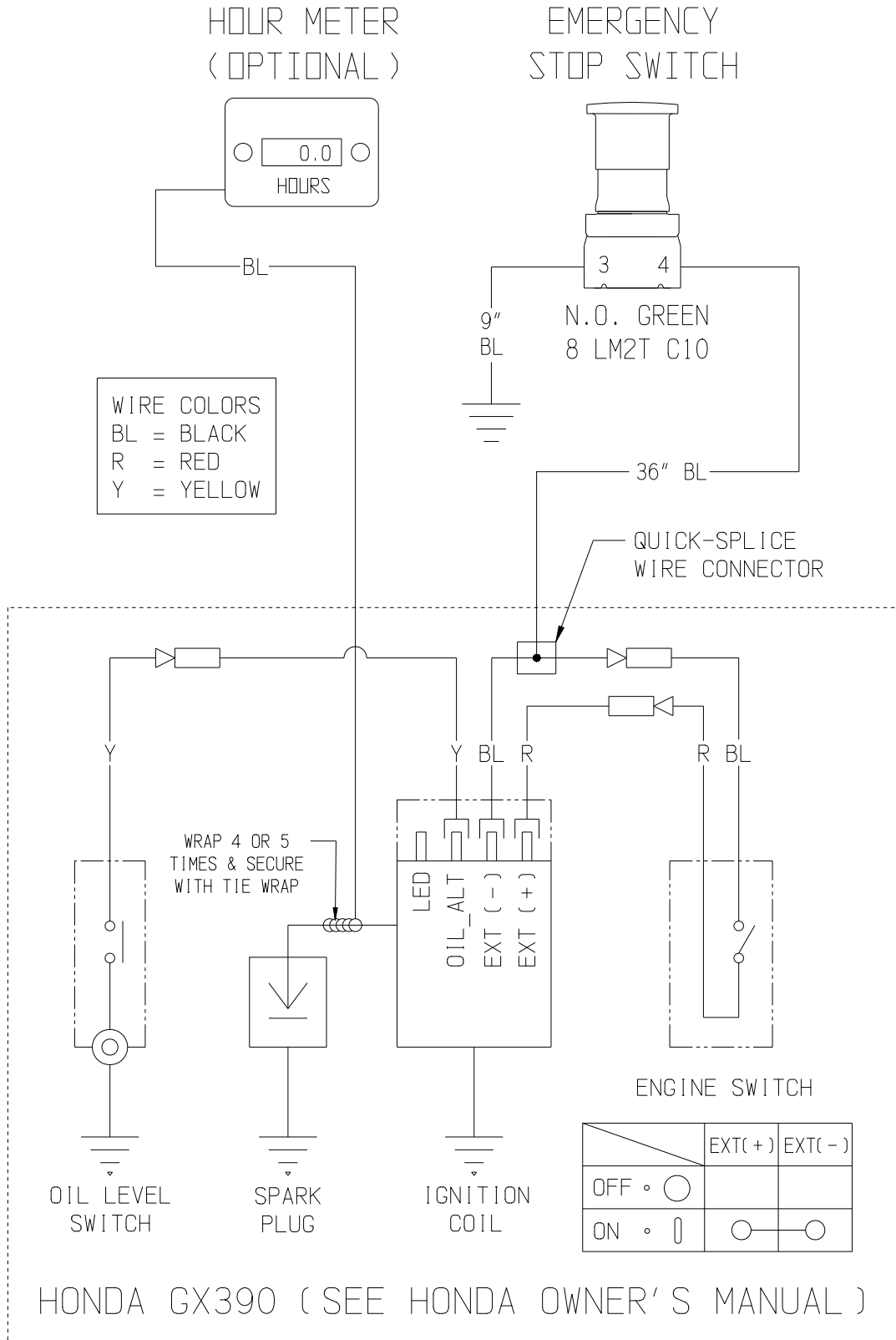
PART # 51450 WIRE HARNESS ASSEMBLY (SHOWN BELOW)

Note: This wire harness is used to extend the key switch from the engine up to the saw console. This also includes the "Blade Saver" Toggle Switch and a wire loom for protection. (Not Shown)



MODEL SS20-13H

**WIRING DIAGRAM FOR HONDA MODEL GX390**



MODELS SS20-20H, SS20-24H & SS20-23.5P

DECAL SHEET 1: P/N 92213

SS-20 & 24-1 14 x 17  
P/N 92213 RevB



**CAUTION**  
DISCONNECT ELECTRICAL POWER  
SUPPLY OR SPARK PLUG  
To prevent injury when servicing or  
changing blades or accessories



WARNING: Cancer and Reproductive Harm.  
For more information, go to [www.P65Warnings.ca.gov](http://www.P65Warnings.ca.gov)

CHECK OIL DAILY

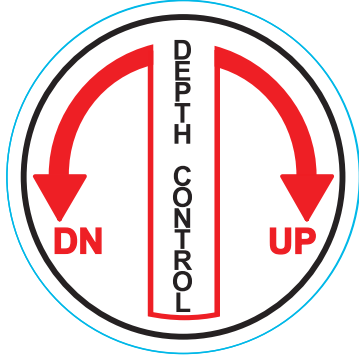
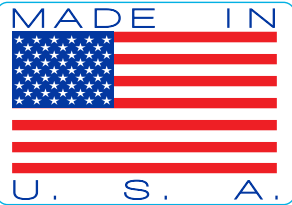
exceeds 85dBA



SS-24

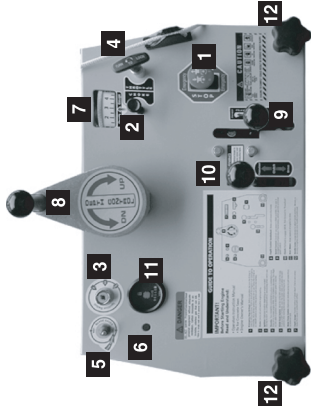
DECAL SHEET 2: P/N 92214

P/N 92214 RevC SS-20 & 24  
Sheet 2 14 x 17

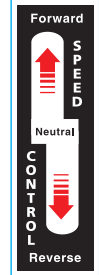
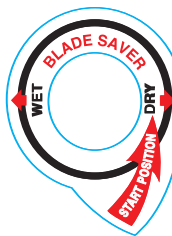
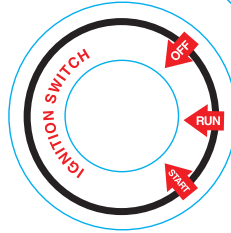
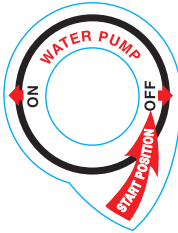


GUIDE TO OPERATION

- 1 Operators Instruction Manual
- 2 Rx for Concrete Saws
- 3 Engine Owners Manual



- 1 **Emergency Stop (E-Stop):** Before operation, be sure the E-Stop is reset by lifting the knob. PUSH to shut off the engine in an emergency. CAUTION: Shut off the ignition when not in use. Using the E-Stop as an ON/OFF switch in place of the ignition will drain the battery.
- 2 **Choke:** Use to aid cold weather engine starting.
- 3 **Ignition:** (Optional location depending on engine model) Use key to start. As a safety precaution, remove key when not in use.
- 4 **Throttle:** Turn COUNTER CLOCKWISE to unlock. CLOCKWISE to lock. Adjust throttle cable to desired engine speed. Turn Right to lock cable in position once desired engine speed is reached.
- 5 **Blade Saver Switch:** Must be in the DRY position to start the saw. If using a WET CUT Blade, open the water valve and select the WET position after starting the saw and before starting to cut.
- 6 **Water Pump Switch:** (Optional) Activates pump to pull water from an external tank.
- 7 **Depth Gauge:** Provides readout of blade depth. Dial to zero when blade first comes in contact with surface.
- 8 **Depth Control Handwheel:** Raises and lowers the blade.
- 9 **Speed Control:** Controls saw speed in FWD and REV. This saw is equipped with a Hydrostatic Transmission, which permits unlimited speed control.
- 10 **Clutch:** Pull back to engage DRIVE. Push forward to "freewheel"
- 11 **Hour Meter:** Gives readout of engine run-time.
- 12 **Handle Locks:** Loosen knobs to adjust handle position. Be sure to securely re-tighten the knobs once handle is positioned.



SS-20

MODEL SS20-23.5P

DECAL SHEET 3: P/N 92232

**SS-20&24 5.5 x 8.5**  
**P/N 92232-3\_RevA**  
**Sheet 3**  
**\*Propane Units Only**



#### **SS-20/24 PROPANE OPERATING INSTRUCTIONS:**

##### **STARTING**

1. Open propane tank valve completely
2. Full Choke
3. Blade Saver Switch in Dry position
4. Emergency Stop Switch in up position
5. Turn key to start and close choke gradually until engines warms and run smooth

##### **STOPPING**

1. Temporarily – turn key off. Turn back on to start normally
2. For the day – While the engine is still running turn the tank valve off. Let gas purge from system and engine stops
3. Turn key to off position



## LIMITED EQUIPMENT WARRANTY OF SALE

Equipment Development Company, Inc. herein referred to as EDCO (Seller) warrants that each new unit manufactured by EDCO to be free from defects in material and workmanship in normal use and service for a period of (1) one year (except for the cutter drum assembly on all model concrete/asphalt planers AND the chisel head assembly on all model ALR's & ALR-BS in which case the warranty period shall be 90 days) from date of shipment to the original retail or equipment rental center owner.

Accessories or equipment furnished and installed on the product by EDCO but manufactured by others, including, but not limited to engines, motors, electrical components, transmissions etc., shall carry the accessory manufacturers own warranty.

EDCO will, at its option, repair or replace, at the EDCO factory or at a point designated by EDCO, any part which shall appear to the satisfaction of EDCO inspection to have been defective in material or workmanship.

EDCO reserves the right to modify, alter and improve any part or parts without incurring any obligation to replace any part or parts previously sold without such modified, altered or improved part or parts.

This warranty is in lieu of and excludes all other warranties, expressed, implied, statutory, or otherwise created under applicable law including, but not limited to the warranty of merchantability and the warranty of fitness for a particular purpose in no event shall seller or the manufacturer of the product be liable for special, incidental, or consequential damages, including loss of profits, whether or not caused by or resulting from the negligence of seller and/or the manufacturer of the product unless specifically provided herein. In addition, this warranty shall not apply to any products or portions thereof which have been subjected to abuse, misuse, improper installation, maintenance, or operation, electrical failure or abnormal conditions and to products which have been tampered with, altered, modified, repaired, reworked by anyone not approved by seller or used in any manner inconsistent with the provisions of the above or any instructions or specifications provided with or for the product.

### TERMS AND CONDITIONS

(NOT APPLICABLE TO SALES THROUGH AUTHORIZED DISTRIBUTION)

#### FORCE MAJEURE

Seller's obligation hereunder are subject to, and Seller shall not be held responsible for, any delay or failure to make delivery of all or any part of the Product due to labor difficulties, fires, casualties, accidents, acts of the elements, acts of God, transportation difficulties, delays by a common carrier, inability to obtain Product, materials or components or qualified labor sufficient to timely perform part of or all of the obligations contained in these terms and conditions, governmental regulations or actions, strikes, damage to or destruction in whole or part of manufacturing plant, riots, terrorist attacks or incidents, civil commotions, warlike conditions, flood, tidal waves, typhoon, hurricane, earthquake, lightning, explosion or any other causes, contingencies or circumstances within or without the United States not subject to the Seller's control which prevent or hinder the manufacture or delivery of the Products or make the fulfillment of these terms and conditions impracticable. In the event of the occurrence of any of the foregoing, at the option of Seller, Seller shall be excused from the performance under these Terms and Conditions, or the performance of the Seller shall be correspondingly extended.

This document sets forth the terms and conditions pursuant to which the purchaser ("Purchaser") will purchase and Equipment Development Co. Inc. ("Seller") will sell the products, accessories, attachments (collectively the Products) ordered by the Purchaser. These terms and conditions shall govern and apply to the sale of Seller's Products to Purchaser, regardless of any terms and conditions appearing on any purchase order or other forms submitted by Purchaser to Seller, or the inconsistency of any terms therein and herein.

#### 1. PRICE

All prices set forth on any purchase order or other document are F.O.B. Seller's facility or distribution point, as may be determined by Seller (F.O.B. Point). All prices are exclusive of any and all taxes, including, but not limited to, excise, sales, use, property or transportation taxes related to the sale or use of the Products, now or hereafter imposed, together with all penalties and expenses. Purchaser shall be responsible for collecting and/or paying any and all such taxes, whether or not they are stated in any invoice for the Products. Unless otherwise specified herein, all prices are exclusive of inland transportation, freight, insurance and other costs and expenses relating to the shipment of the Products from the F.O.B. point to Purchaser's facility. Any prepayment by Seller of freight insurance and other costs shall be for the account of Purchaser and shall be repaid to Seller.

#### 2. PAYMENT TERMS

Payment terms are as follows. 2% 10 days (to approved and qualified accounts). Net 30 days. This is a cash discount for invoices paid within 10 days after the invoice date, regardless of date of receipt of shipment. This is not a trade discount and will not be granted to accounts that do not adhere to stated terms.

\*All past due accounts are subject to a late payment fee of 1.5% per month or a maximum allowed by law if different, along with the expenses incidental to collection including reasonable attorney's fees and costs.

\*Seller reserves the right to hold shipments against past due accounts.

\*Seller reserves the right to alter payment terms.

#### 3. FREIGHT TERMS

All shipments will be made F.O.B. shipping point as designated in these Terms and Conditions, and title shall pass at the F.O.B. point. Delivery to the initial common carrier shall constitute delivery to the Purchaser. Any claims for loss or damage during shipment are to be filed with carrier by the Purchaser. Seller will not assume responsibility for the performance of the carrier.

Back orders will be shipped in the most practical fashion with charges consistent with our freight policy established with the original order. UPS, FED EX, MAIL or shipments by other couriers are subject to the same terms and conditions as outlined in paragraph #3 "Freight Terms".

#### 4. DELIVERY, DAMAGES, SHORTAGES

Seller shall use reasonable efforts to attempt to cause the Products to be delivered as provided for in these Terms & Conditions. Delivery to the initial common carrier shall constitute the delivery to the Purchaser. Seller's responsibility, in so far as transportation risks are concerned ceases upon the delivery of the Products in good condition to such carrier at the F.O.B. point and all the Products shall be shipped at the Purchaser's risk. Seller shall not be responsible or liable for any loss of income and/or profits, or incidental, special, consequential damages resulting from Seller's delayed performance in shipment and delivery.

#### 5. RETURN OF DEFECTIVE PRODUCTS

Defective or failed material shall be held at the Purchaser's premises until authorization has been granted by Seller to return or dispose of Products. Products that are to be returned for final inspection must be returned Freight Prepaid in the most economical way. Credit will be issued for material found to be defective upon Seller's inspection based on prices at time of purchase.

#### 6. PRODUCTS ORDERED IN ERROR

Products may be returned, provided that claim is made and Seller is notified within 7 days of receipt of Products, and the Products are in original buyer's possession not more than 30 days prior to return, subject to Seller's approval. If Products are accepted for return, they must be Freight Prepaid and buyer will be charged a minimum of 15% restocking charge, plus a charge back for outbound freight charges if the original order was shipped prepaid. Returns are not accepted for any Products that are specifically manufactured to meet the buyer's requirement of either specifications or quantity.

#### AGREEMENTS

These Terms and Conditions constitute the entire agreement between Seller and Purchaser as it relates to terms and conditions of sale, and supersedes any and all prior oral or written agreements, correspondence, quotations or understandings heretofore in force between the parties relating to the subject matter hereof. There are no agreements between Seller and Purchaser with respect to the Product herein except those specifically set forth in and made part of these terms and conditions. Any additional terms, conditions and/or prices are rejected by Seller.

These terms and conditions may be modified, cancelled or rescinded only by a written agreement of both parties executed by their duly authorized agents.

#### USE ONLY GENUINE EDCO PARTS & ACCESSORIES

**For your own safety, the safety of others and the life of your machine.**

#### SUBMIT ALL WARRANTY CLAIMS AT:

[edcoinc.com/customer-support/warranty-claim-request/](http://edcoinc.com/customer-support/warranty-claim-request/)



## BEFORE USING THIS PRODUCT

Have You Used EDCO's Online Customer Support??



Scan This QRC or Visit  
[www.edcoinc.com/customer-support](http://www.edcoinc.com/customer-support)



**READ:** **EDCO Owner's Manuals and Parts Listings** share basic information and parts of each product. Download and print them whenever needed.



**WATCH:** **EDCO Product Training Videos** show how to use products, install tooling, and perform basic maintenance.



*Example Only*

**FIND:** Somewhere on this product is an **EDCO QRC Training Decal**. Scanning this code provides owner's information, videos, and other training content anywhere/anytime on your mobile device.



**JOIN:** **EDCOed.com** is a free, 24-hour training space. Each certification track focuses on a specific EDCO product group. The information in these tracks help businesses be successful with those products.

EDCO is always updating online training / information so you always have the most recent content.

Also see Operator's Safety & Limited Warranty Manual

Equipment Development Co., Inc. • 800.638.3326 • [techsupport@edcoinc.com](mailto:techsupport@edcoinc.com)