

REVISED STARTING
SERIAL # 130910047

PARTS LIST MANUAL

Model SS20

Model
SS20-20H



Model
SS20-13H



20" & 16" SELF-PROPELLED CONCRETE & ASPHALT SAWS

SKU #	MODEL #	SIZE	POWER OPTION
32600	SS20-20H	20"	HONDA GASOLINE ENGINE MODEL GX630
34600	SS20-25P	20"	KOHLER COMMAND PROPANE ENGINE MODEL CH730
32800	SS20-13H	16"	HONDA GASOLINE ENGINE MODEL GX390



A Division of Equipment Development Company, Inc.

100 Thomas Johnson Drive, Frederick, MD 21702-4600 USA

Phone (301) 663-1600 • 1-800-638-3326

Fax (301) 663-1607 • 1-800-447-3326

Website: www.edcoinc.com

Email: sales@edcoinc.com

Printed in USA

JWA ©2013

READ AND UNDERSTAND THE OPERATORS INSTRUCTION MANUAL *THOROUGHLY* BEFORE ATTEMPTING TO OPERATE THIS EQUIPMENT.



Death or serious injury could occur if this machine is used improperly.



SAFETY MESSAGES

- Safety Instructions are preceded by a graphic alert symbol of DANGER, WARNING, or CAUTION.



Indicates an imminent hazard which, if not avoided, will result in death or serious injury.



Indicates an imminent hazard which, if not avoided, can result in death or serious injury.



Indicates hazards which, if not avoided, could result in serious injury and or damage to the equipment.

GASOLINE/PROPANE POWERED EQUIPMENT



- Engine exhaust from this product contains chemicals known to the State of California to cause cancer, birth defects or other reproductive harm.



- Gasoline is extremely flammable and poisonous. It should only be dispensed in well ventilated areas, and with a cool engine.

- Small gasoline engines produce high concentrations of carbon monoxide (CO) example: a 5 HP 4 cycle engine operation in an enclosed 100,000 cu. ft. area with only one change of air per hour is capable of providing deadly concentrations of CO in less than fifteen minutes. Five changes of air in the same area will produce noxious fumes in less than 30 minutes. Gasoline or propane powered equipment should not be used in enclosed or partially enclosed areas. Symptoms of CO poisoning include, headache, nausea, weakness, dizziness, visual problems and loss of consciousness. If symptoms occur - get into fresh air and seek medical attention immediately.

ELECTRICAL POWERED EQUIPMENT



Extreme care must be taken when operating electric models with water present: Ensure power cord is properly grounded, is attached to a Ground-Fault-Interrupter (GFI) outlet, and is undamaged.

- Check all electrical cables - be sure connections are tight and cable is continuous and in good condition. Be sure cable is correctly rated for both the operating current and voltage of this equipment.
- Improper connection of the equipment-grounding conductor can result in a risk of electric shock. Check with qualified electrician or service person if there is any doubt as to whether the outlet is properly grounded. Adhere to all local codes and ordinances.
- **NOTE:** In the event of a malfunction or breakdown, grounding provides a path of least resistance for the electric current to dissipate. The motor is equipped with a grounded plug and must be connected to an outlet that is properly installed and properly grounded. DO NOT modify the plug provided on the motor. If the plug does not fit the outlet have a qualified electrician install the proper receptacle.
- Switch motor OFF **before** disconnecting power.

- Do not disconnect power by pulling cord. To disconnect, grasp the plug, not the cord.
- Unplug power cord at the machine when not in use and before servicing.

GENERAL INSTRUCTIONS

- Equipment should only be operated by trained personnel in good physical condition and mental health (not fatigued). The operator and maintenance personnel must be physically able to handle the bulk weight and power of this equipment.
- This is a one person tool. Maintain a safe operating distance to other personnel. It is the **operators' responsibility** to keep other people (workers, pedestrians, bystanders, etc.) away during operation. Block off the work area in all directions with roping, safety netting, etc. for a safe distance. Failure to do so may result in others being injured by flying debris or exposing them to harmful dust and noise.
- This equipment is intended for commercial use only.
- For the operator's safety and the safety of others, always keep all guards in place during operation.
- Never let equipment run unattended.



- Personal Protection Equipment and proper safety attire must be worn when operating this machinery. The operator must wear approved safety equipment appropriate for the job such as hard hat and safety shoes when conditions require. Hearing protection **MUST** be used (operational noise levels of this equipment may exceed 85db). Eye protection **MUST** be worn at all times.



Keep body parts and loose clothing away from moving parts. Failure to do so could result in dismemberment or death.

- Do not modify the machine.
- Stop motor/engine when adjusting or servicing this equipment. Maintain a safe operating distance from flammable materials. Sparks from the cutting-action of this machine can ignite flammable materials or vapors.

DUST WARNING



Some dust created by power sanding, sawing, grinding, drilling, and other construction activities contains chemicals known to cause cancer, birth defects, or other reproductive harm. Some examples of these chemicals are:

- Lead from lead-based paints, and
- Crystalline silica from bricks and concrete and other masonry products.

Your risk of exposure to these chemicals varies depending on how often you do this type of work. To reduce your risk: work in a well ventilated area, use a dust control system, such as an industrial-style vacuum, and wear approved personal safety equipment, such as a dust/particle respirator designed to filter out microscopic particles.

PARTS LIST MANUAL

MODEL SS20

TABLE OF CONTENTS

<u>Section</u>	<u>Page Numbers</u>
Safety Messages and General Instructions	2
How To Order Replacement Parts	3
Illustration 1: Frame Grouping	4, 5
Illustration 2: Arbor & 20" Blade Guard Grouping	6, 7
Illustration 3: Arbor & 16" Blade Guard Grouping	8, 9
Illustration 4: Transmission Grouping	10, 11
Illustration 5: Engine Grouping for Honda GX630	12, 13
Illustration 6: Fuel Tank Grouping for Honda GX630	14, 15
Illustration 7: Engine Grouping for Kohler Command CH730	16, 17
Illustration 8: Battery Grouping	18
Illustration 9: Operating Controls	19
Illustration 10: Engine Grouping for Honda GX390	20, 21
Illustration 11: Belt Drive Grouping	22, 23
Illustration 12: Blade Depth Gauge Kit	24, 25
Illustration 13: Optional Water Pump Kit	26, 27
Wiring Diagram for SS20-20H	28, 29
Wiring Diagram for SS20-25P	30
Wiring Diagram for SS20-13H	31
Decal Sheet P/N 92213	32
Decal Sheet P/N 92214	33
Notes	34
Blank Page (This page was left blank intentionally)	35
Limited Equipment Warranty of Sale - Terms & Conditions	36 (Back Page)

HOW TO ORDER REPLACEMENT PARTS

- To insure product safety and reliability, always use genuine EDCO replacement parts when making repairs to the equipment.
- When calling for parts, specify the MODEL and SERIAL number of the machine, which can be found on the NAME PLATE. Keep that information in the space provided. In addition to this information, give part number, description, and quantity as listed on the parts list to your parts representative.
- Please note: Due to improvements and changes in the equipment, the illustrations shown may be different than the actual machine.

FILL IN INFORMATION BELOW

Date of Purchase _____

Model # _____

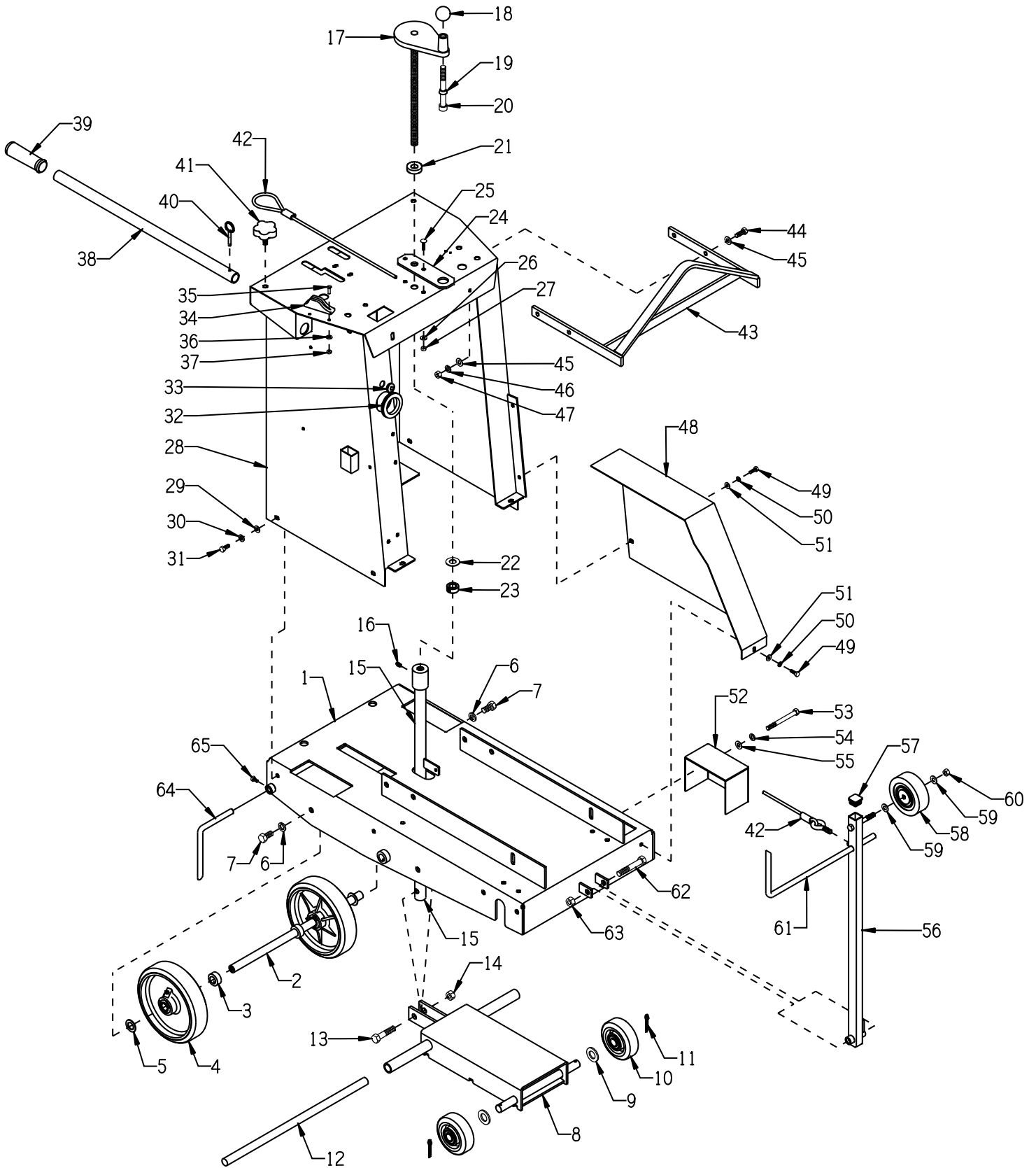
Serial # _____

SKU # _____



100 Thomas Johnson Drive, Frederick, MD 21702-4600 USA
 Phone (301) 663-1600 • 1-800-638-3326
 Fax (301) 663-1607 • 1-800-447-3326
 Website: www.edcoinc.com
 Email: sales@edcoinc.com

ILLUSTRATION 1: FRAME GROUPING



PARTS LISTING - ILLUSTRATION 1: FRAME GROUPING

ITEM #	PART #	DESCRIPTION	QTY.	ITEM #	PART #	DESCRIPTION	QTY.
1	51290	MAIN FRAME	1	34	11591	ROPE CLEAT, NYLON JAM 3/16"-5/16"	2
2	51267	AXLE 3/4DIA. X 17-3/8L	1	35	11594	SCREW, MACHINE 10-32 X 5/8, SLT.FLT	2
3	10428	COLLAR, LOCKING 3/4"ID	2	36	10850	WASHER, FLAT #10 SAE ZINC	2
4	51263	WHEEL 8 X 2 X 3/4"BRG, SBR RUBBER	2	37	10832	NUT, KEPS LOCK 10-32 ZINC	2
5	11597	WASHER .755"ID X 1.25"OD X .060"THK	2	38	51024	HANDLE BAR 24", ZINC PLATED	2
6	10045	WASHER, LOCK 1/2 ZINC	2	39	10608	GRIP, HAND 1" MODEL AT	2
7	10304	SCREW, CAP 1/2-20 X 1	2	40	10145	PIN, DETENT RING 3/16 X 1-5/16 E.L.	2
8	51291	FORK W/ PIVOT TUBE	1	41	51230	KNOB, STAR CLAMPING 3/8-16 X 1"STD	2
9	10009	WASHER, FLAT 3/4 SAE ZINC	2	42	51260	ROPE, GUIDE BAR, SS-20	1
10	52001	WHEEL 4 X 1-1/2 X 3/4"BRG. ALUM/RUB	2	43	51204	BAIL, LIFTING, SS-20	1
11	10306	PIN, COTTER 3/16 X 1-1/2	2	44	10021	SCREW, CAP 3/8-24 X 1	4
12	51219	SHAFT 3/4"DIA. X 19"L	1	45	10025	WASHER, FLAT 3/8 SAE ZINC	8
13	10347	SCREW, CAP 1/2-20 X 2-1/4	1	46	10811	WASHER, LOCK 3/8 ZINC	4
14	10154	NUT, HEX NYLON LOCK 1/2-20 ZINC	1	47	10014	NUT, HEX 3/8-24 ZINC	4
15	51220	LINKAGE, CUT CONTROL	1	48	51205	COVER, BELT, SS-20 HONDA	1
16	10808	FITTING, GREASE 1/4-28 STRAIGHT	1		51205K	COVER, BELT, SS-20 KOHLER	
17	51075	HANDWHEEL, LRG. W/ 5/8-8 X 13"ROD	1	49	10018	SCREW, CAP 1/4-20 X 3/4	3
18	14023	KNOB, BALL 1-3/8 W/ 1/2-13THD, BLK.	1	50	10038	WASHER, LOCK 1/4 ZINC	3
19	50550	SLEEVE F/ 1/2" CAPSCREW, TAPERED	1	51	10602	WASHER, FLAT 1/4 SAE ZINC	3
20	10346	SCREW, SKT. HD. CAP 1/2-13 X 4-1/2	1	52	51206	COVER, ARBOR	1
21	85005	BEARING, THRUST BALL 5/8	1	53	10318	SCREW, CAP 3/8-16 X 3-3/4	2
22	10073	WASHER, FLAT 5/8 SAE ZINC	1	54	10811	WASHER, LOCK 3/8 ZINC	2
23	10096	COLLAR, LOCKING 5/8"ID	1	55	10025	WASHER, FLAT 3/8 SAE ZINC	2
24	51287	CONSOLE DEPTH LOCK, SS20	1	56	56304	GUIDE BAR	1
25	10819	BOLT, CARRIAGE 5/16-18 X 1 FULL THD	2	57	51078	PLUG, SQ. TUBE 1 X 14 GA., BLACK	1
26	10213	WASHER, FLAT 5/16 SAE ZINC	2	58	50024	WHEEL 4 X 1-3/8 X 3/8"BORE	1
27	10151	NUT, HEX NYLON LOCK 5/16-18 ZINC	2	59	10025	WASHER, FLAT 3/8 SAE ZINC	2
28	51203 51203P	CONSOLE, SS20-20H & SS20-13H CONSOLE, SS20-25P	1	60	10156	NUT, HEX NYLON LOCK 3/8-16 ZINC	1
29	10213	WASHER, FLAT 5/16 SAE ZINC	8	61	51012	GUIDE POINTER, FRONT	1
30	10801	WASHER, LOCK 5/16 ZINC	8	62	10499	SCREW, CAP 1/2-13 X 3	1
31	10053	SCREW, CAP 5/16-18 X 3/4	8	63	10155	NUT, HEX NYLON LOCK 1/2-13 ZINC	1
32	51253	GROMMET 1-45/64ID X 1/8GRV. X 2GD	1	64	51011	GUIDE POINTER, REAR	1
33	57148	GROMMET 3/8ID X 1/8GRV. X 5/8GD	1	65	10834	SCREW, CAP 1/4-20 X 1/2 ZINC	1



100 Thomas Johnson Drive, Frederick, MD 21702-4600 USA
 Phone (301) 663-1600 • 1-800-638-3326
 Fax (301) 663-1607 • 1-800-447-3326
 Website: www.edcoinc.com
 Email: sales@edcoinc.com

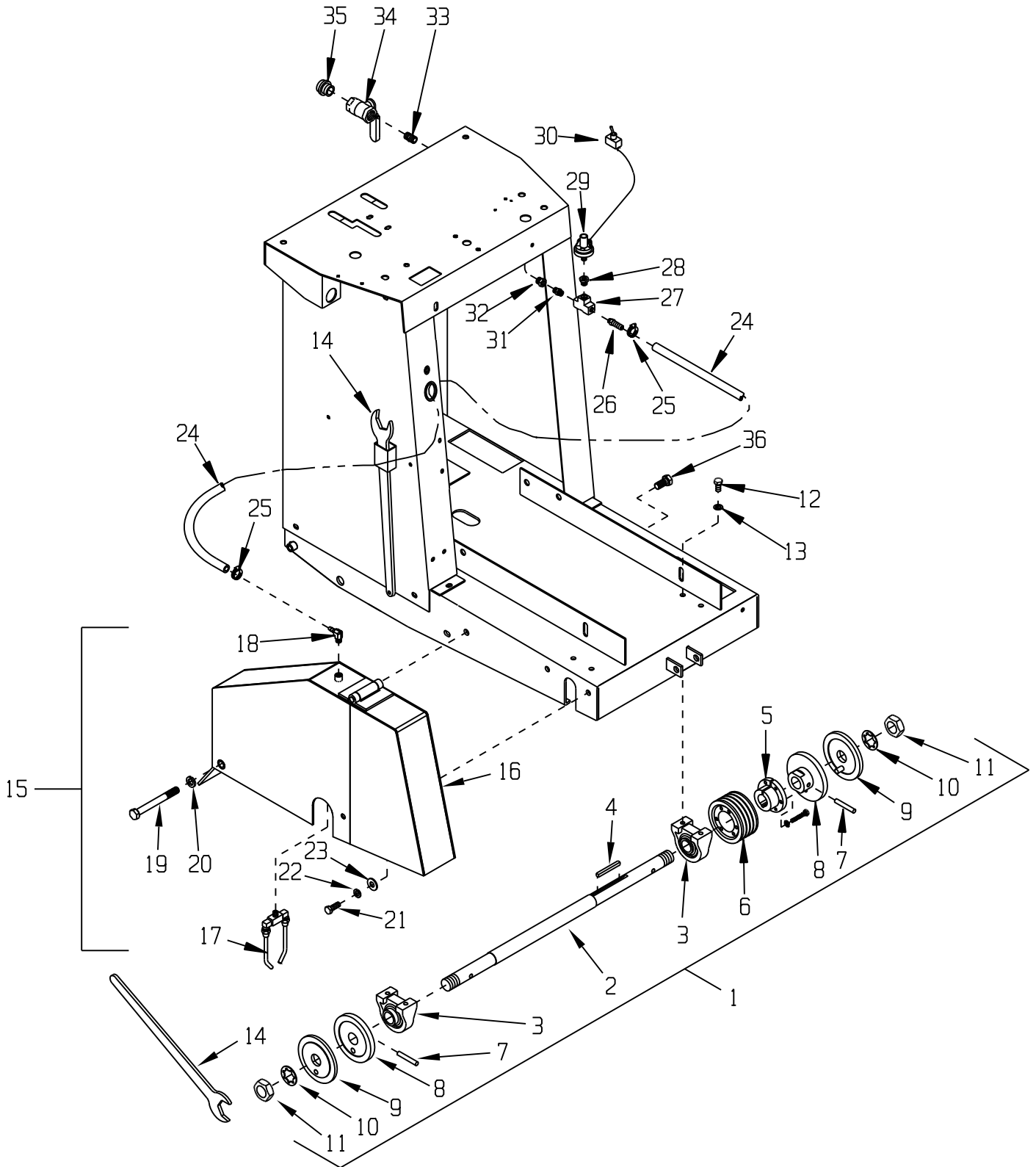
Printed in USA

JWA ©2013

Page 5

ILLUSTRATION 2: ARBOR & 20" BLADE GUARD GROUPING

MODELS SS20-20H & SS20-25P



PARTS LISTING - ILLUSTRATION 2 : ARBOR & 20" BLADE GUARD GROUPING

ITEM #	PART #	DESCRIPTION	QTY.
1	56208C	ARBOR ASSY. W/ 4 GROOVE SHEAVE (INCLUDES ITEMS 2 THRU 11)	1
2	56208	ARBOR SHAFT 23-3/8"L	1
3	50222	BEARING, BALL 1" TPB	2
4	10071	KEY 1/4SQ X 2-1/2	1
5	10076	BUSHING, SHEAVE SH X 1"BORE	1
6	10504	SHEAVE 3.65"OD X 4GR.3V X SH	1
7	10211	PIN, ROLL 5/16 X 2	2
8	56026	ARBOR BACKING PLATE 4"	2
9	56025	ARBOR BLADE CAP 4"OD W/1"HOLE	2
10	55009	WASHER, LOCK, INT. TOOTH 1"	2
11	50019	NUT, HEX JAM 1-14 ZINC GRADE A	2
12	10907	SCREW, CAP 3/8-16 X 3/4	4
13	10811	WASHER, LOCK 3/8 ZINC	4
14	50445	WRENCH, ARBOR, 1-1/2" OPEN END	2
15	51292C	BLADE GUARD ASSEMBLY 20" (INCLUDES ITEMS 16, 17, AND 18)	1
16	51292	BLADE GUARD 20"	1
17	51026	NOZZLE, COOLANT 1/8MPT W/ 6"TUBES	1
18	11562	BARB ELBOW 90, 3/8HOSE X 1/8MPT	1
19	10409	SCREW, CAP 1/2-20 X 4-1/2	1
20	10045	WASHER, LOCK 1/2 ZINC	1
21	10055	SCREW, CAP 3/8-16 X 1	1
22	10811	WASHER, LOCK 3/8 ZINC	1
23	10025	WASHER, FLAT 3/8 SAE ZINC	1
24	51222	HOSE, WATER 3/8"ID X 46"L	1
25	50069	CLAMP, HOSE, SAE #6, ADJ. TO 13/16	2
26	50075	BARB, 3/8 HOSE X 1/4MPT (BRASS)	1
27	10719	PIPE TEE, FEMALE 1/4 NPT (BRASS)	1
28	10718	BUSHING, HEX 1/4 X 1/8 NPT (BRASS)	1
29	50215	SWITCH, PRESSURE, 78628 1 N/O (MODEL SS20-20H)	1
	51030	SWITCH, PRESSURE, 76061 2 N/C (MODEL SS20-25P)	1
30	10619	SWITCH, TOGGLE SPDT (MODEL SS20-20H)	1
	10633	SWITCH, TOGGLE SPST (MODEL SS20-25P)	1
31	10717	NIPPLE, HEX 1/4 NPT (BRASS)	1
32	51236	BUSHING, HEX 1/2 X 1/4 NPT (BRASS)	1
33	10679	NIPPLE, HEX 1/2NPT (BRASS)	1
34	10711	VALVE, BALL 1/2 FPT	1
35	80021	CONN., SWIVEL FEM. 3/4HOSE X 1/2MPT	1
36	10304	SCREW, CAP 1/2-20 X 1	1



A Division of Equipment Development Company, Inc.

100 Thomas Johnson Drive, Frederick, MD 21702-4600 USA

Phone (301) 663-1600 • 1-800-638-3326

Fax (301) 663-1607 • 1-800-447-3326

Website: www.edcoinc.com

Email: sales@edcoinc.com

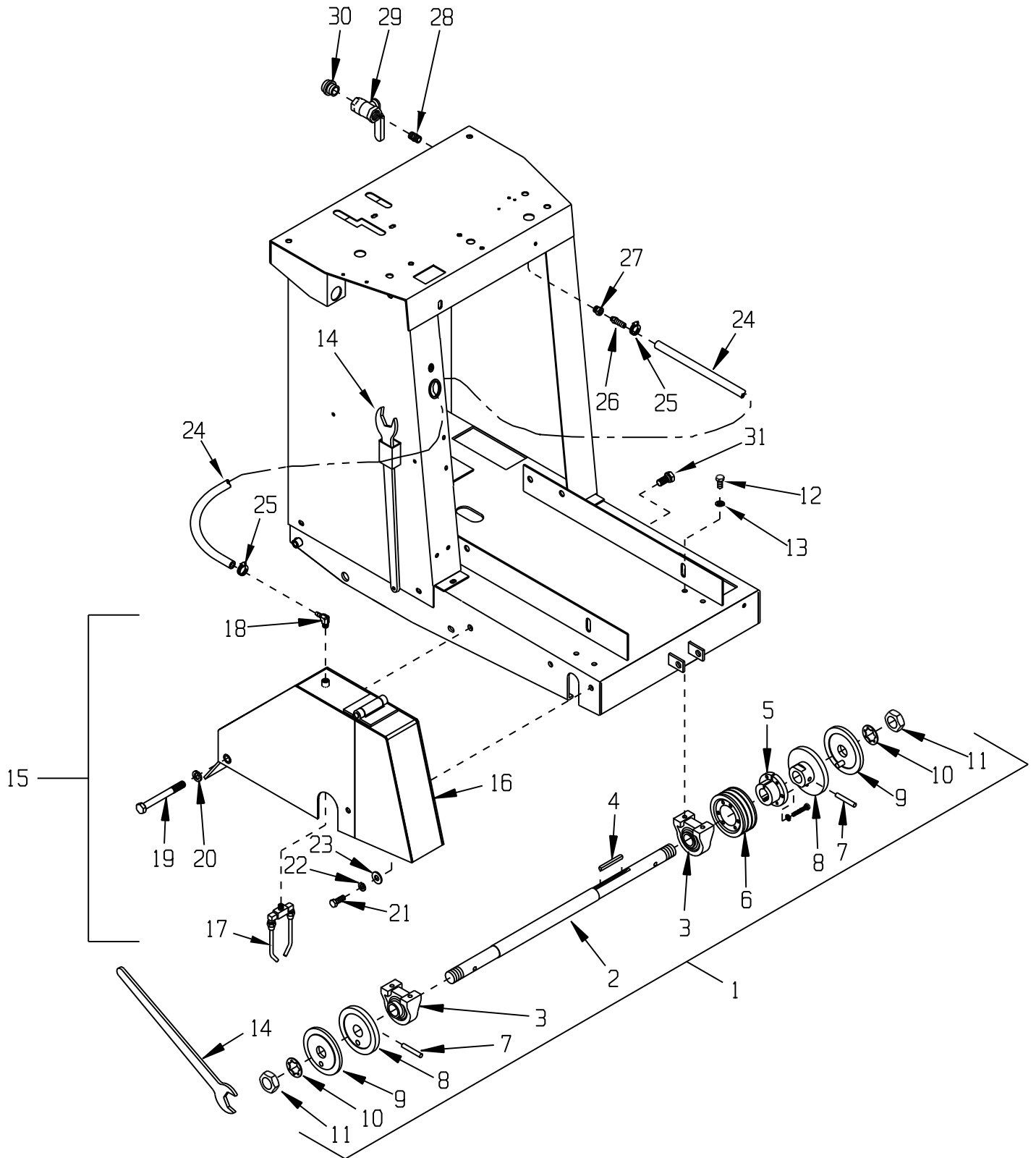
Printed in USA

JWA ©2013

Page 7

ILLUSTRATION 3: ARBOR & 16" BLADE GUARD GROUPING

MODEL SS20-13H



PARTS LISTING - ILLUSTRATION 3 : ARBOR & 16" BLADE GUARD GROUPING

ITEM #	PART #	DESCRIPTION	QTY.
1	56208B	ARBOR ASSY. W/ 3 GROOVE SHEAVE (INCLUDES ITEMS 2 THRU 11)	1
2	56208	ARBOR SHAFT 23-3/8"L	1
3	50222	BEARING, BALL 1" TPB	2
4	10071	KEY 1/4SQ X 2-1/2	1
5	10076	BUSHING, SHEAVE SH X 1"BORE	1
6	10539	SHEAVE 3.65"OD X 3GR.3V X SH	1
7	10211	PIN, ROLL 5/16 X 2	2
8	56026	ARBOR BACKING PLATE 4"	2
9	56025	ARBOR BLADE CAP 4"OD W/1"HOLE	2
10	55009	WASHER, LOCK, INT. TOOTH 1"	2
11	50019	NUT, HEX JAM 1-14 ZINC GRADE A	2
12	10907	SCREW, CAP 3/8-16 X 3/4	4
13	10811	WASHER, LOCK 3/8 ZINC	4
14	50445	WRENCH, ARBOR, 1-1/2" OPEN END	2
15	51293C	BLADE GUARD ASSEMBLY 16" (INCLUDES ITEMS 16, 17, AND18)	1
16	51293	BLADE GUARD 16"	1
17	51026	NOZZLE, COOLANT 1/8MPT W/ 6"TUBES	1
18	11562	BARB ELBOW 90, 3/8HOSE X 1/8MPT	1
19	10409	SCREW, CAP 1/2-20 X 4-1/2	1
20	10045	WASHER, LOCK 1/2 ZINC	1
21	10055	SCREW, CAP 3/8-16 X 1	1
22	10811	WASHER, LOCK 3/8 ZINC	1
23	10025	WASHER, FLAT 3/8 SAE ZINC	1
24	51222	HOSE, WATER 3/8"ID X 46"L	1
25	50069	CLAMP, HOSE, SAE #6, ADJ. TO 13/16	2
26	50075	BARB, 3/8 HOSE X 1/4MPT (BRASS)	1
27	51236	BUSHING, HEX 1/2 X 1/4 NPT (BRASS)	1
28	10679	NIPPLE, HEX 1/2NPT (BRASS)	1
29	10711	VALVE, BALL 1/2 FPT	1
30	80021	CONN., SWIVEL FEM. 3/4HOSE X 1/2MPT	1
31	10304	SCREW, CAP 1/2-20 X 1	1



A Division of Equipment Development Company, Inc.

100 Thomas Johnson Drive, Frederick, MD 21702-4600 USA

Phone (301) 663-1600 • 1-800-638-3326

Fax (301) 663-1607 • 1-800-447-3326

Website: www.edcoinc.com

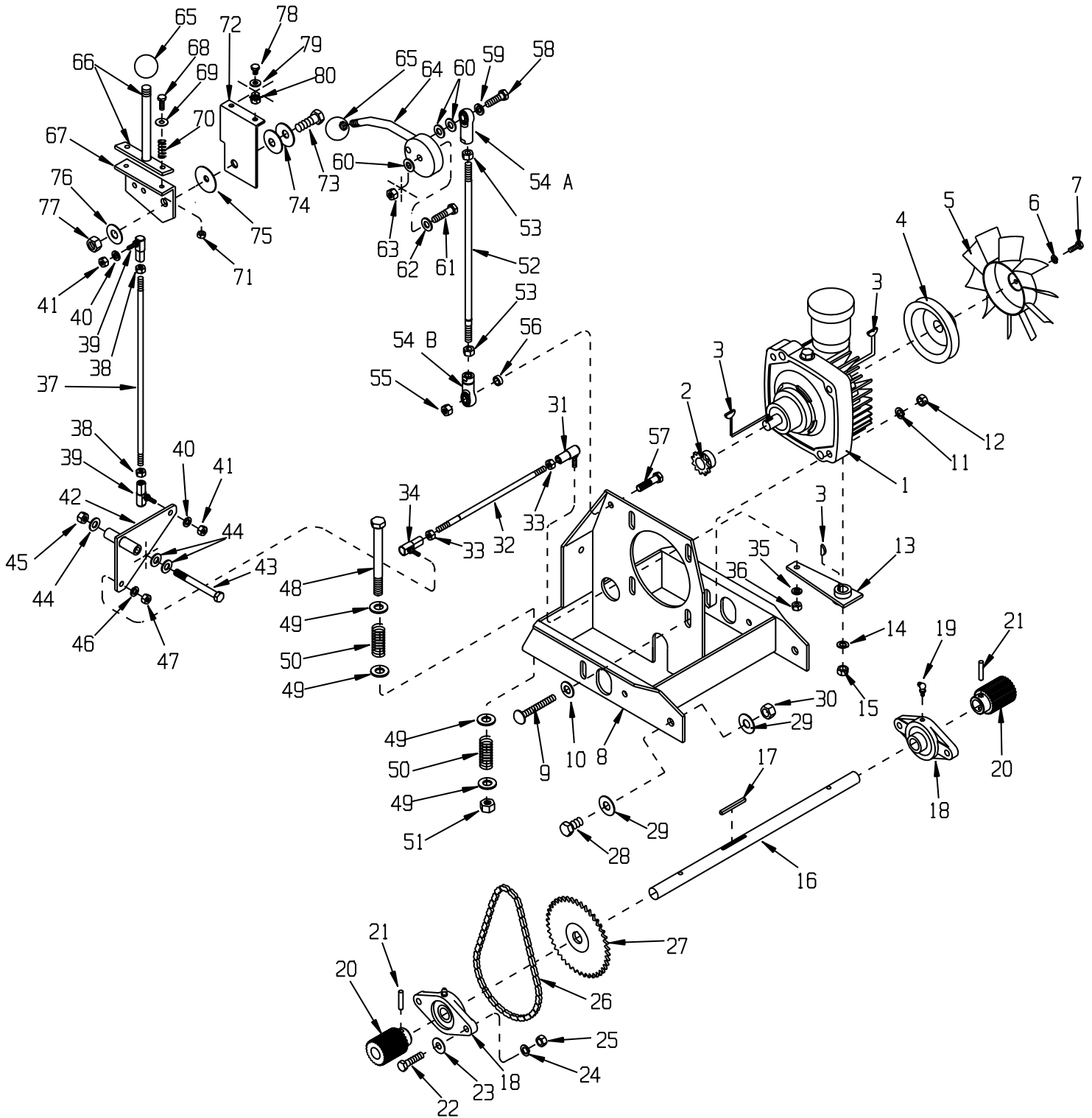
Email: sales@edcoinc.com

Printed in USA

JWA ©2013

Page 9

ILLUSTRATION 4: TRANSMISSION GROUPING



PARTS LISTING - ILLUSTRATION 4: TRANSMISSION GROUPING

ITEM #	PART #	DESCRIPTION	QTY.	ITEM #	PART #	DESCRIPTION	QTY.
1	50061	TRANSMISSION, HYDROSTATIC	1	42	51214	BELL CRANK, DRIVE LINKAGE	1
2	50048	SPROCKET #3511 X .67"BORE	1	43	10382	SCREW, CAP 3/8-24 X 3-1/2	1
3	50071	KEY, WOODRUFF 1/8 X 1/2 (#404)	3	44	10025	WASHER, FLAT 3/8 SAE ZINC	3
4	50062	SHEAVE, TRANS. 4"OD X 1GR. X .671"B	1	45	10004	NUT, HEX LOCK 3/8-24 ZINC	1
5	50266	FAN BLADE W/ PLATE 7", TRANS.	1	46	10801	WASHER, LOCK 5/16 ZINC	1
6	10038	WASHER, LOCK 1/4 ZINC	1	47	10424	NUT, HEX 5/16-24 ZINC	1
7	10018	SCREW, CAP 1/4-20 X 3/4	1	48	10376	SCREW, CAP 1/2-13 X 5	2
8	51209	MOUNT, TRANSMISSION	1	49	10312	WASHER, FLAT 1/2 SAE ZINC	8
9	10909	BOLT, CARRIAGE 3/8-16 X 3 FULL THD.	4	50	51035	SPRING, COMP. .828"OD X 2"FL	4
10	10040	WASHER, GARRET 17/32 X 1 X .054	4	51	10407	NUT, HEX LOCK 1/2-13 ZINC	2
11	10811	WASHER, LOCK 3/8 ZINC	4	52	51216	LINKAGE, ROD 3/8 X 13"L	1
12	10404	NUT, HEX 3/8-16 ZINC	4	53	10014	NUT, HEX 3/8-24 ZINC	2
13	51223	TRANS. CONTROL ARM	1	54 A	10919	ROD END, FEMALE 3/8-24 R.H. THREAD	1
14	10811	WASHER, LOCK 3/8 ZINC	1	54 B	10919L	ROD END, FEMALE 3/8-24 L.H. THREAD	1
15	10404	NUT, HEX 3/8-16 ZINC	1	55	10004	NUT, HEX LOCK 3/8-24 ZINC	1
16	51217	JACKSHAFT 3/4 X 17	1	56	10113	SPACER, STEEL 9/16OD X 3/8ID X 7/32	1
17	10168	KEY 3/16SQ X 2	1	57	10309	SCREW, CAP 3/8-24 X 1-1/4 PLATED	1
18	50049	BEARING, BALL 3/4" 2-HOLE FLANGE	2	58	10309	SCREW, CAP 3/8-24 X 1-1/4 PLATED	1
19	10961	FITTING, GREASE 1/4-28 X 90°	1	59	10811	WASHER, LOCK 3/8 ZINC	1
20	51264	DRIVER, REAR WHEEL, 1-5/8"OD 25T	2	60	10025	WASHER, FLAT 3/8 SAE ZINC	3
21	10024	PIN, ROLL 1/4 X 1 1/4	2	61	10816	SCREW, CAP 3/8-24 X 1-1/2	1
22	10309	SCREW, CAP 3/8-24 X 1-1/4 PLATED	4	62	10025	WASHER, FLAT 3/8 SAE ZINC	2
23	10025	WASHER, FLAT 3/8 SAE ZINC	4	63	10004	NUT, HEX LOCK 3/8-24 ZINC	1
24	10811	WASHER, LOCK 3/8 ZINC	4	64	51215	LEVER, CLUTCH	1
25	10014	NUT, HEX 3/8-24 ZINC	4	65	14023	KNOB, BALL 1-3/8 W/ 1/2-13THD, BLK.	2
26	51266	CHAIN #35 X 24-1/2 + OL + CL	1	66	51210	LEVER, DRIVE	1
27	51265	SPROCKET #35B54 X 3/4"BORE W/ KW	1	67	51235	PLATE, DRIVE LEVER PRESSURE	1
28	10304	SCREW, CAP 1/2-20 X 1	1	68	10315	SCREW, CAP 1/4-20 X 1-1/2	2
29	10312	WASHER, FLAT 1/2 SAE ZINC	2	69	10602	WASHER, FLAT 1/4 SAE ZINC	2
30	10205	NUT, HEX LOCK 1/2-20 ZINC	1	70	57471	SPRING, COMP. .468"OD X 1.25"FL	2
31	10840	BALL JOINT ASSY. 5/16-24 R.H. THRD.	1	71	10015	NUT, HEX LOCK 1/4-20 ZINC	2
32	51213	LINKAGE, ROD 5/16 X 9"L	1	72	51211	MOUNT BRKT., DRIVE LEVER	1
33	10424	NUT, HEX 5/16-24 ZINC	1	73	10321	SCREW, CAP 1/2-20 X 1-1/4	1
34	10840L	BALL JOINT ASSY. 5/16-24 L.H. THRD.	1	74	10426	WASHER, BELLEVILLE 1/2ID X 3/64THK	2
35	10801	WASHER, LOCK 5/16 ZINC	1	75	50428	WASHER, FIBER 2-1/4OD X 1/2ID X 1/8	1
36	10424	NUT, HEX 5/16-24 ZINC	1	76	10312	WASHER, FLAT 1/2 SAE ZINC	1
37	51212	LINKAGE, ROD 5/16 X 13"L	1	77	10205	NUT, HEX LOCK 1/2-20 ZINC	1
38	10424	NUT, HEX 5/16-24 ZINC	2	78	10018	SCREW, CAP 1/4-20 X 3/4	2
39	10840	BALL JOINT ASSY. 5/16-24 R.H. THRD.	2	79	10602	WASHER, FLAT 1/4 SAE ZINC	2
40	10801	WASHER, LOCK 5/16 ZINC	2	80	10150	NUT, HEX NYLON LOCK 1/4-20	2
41	10424	NUT, HEX 5/16-24 ZINC	2				



100 Thomas Johnson Drive, Frederick, MD 21702-4600 USA
 Phone (301) 663-1600 • 1-800-638-3326
 Fax (301) 663-1607 • 1-800-447-3326
 Website: www.edcoinc.com
 Email: sales@edcoinc.com

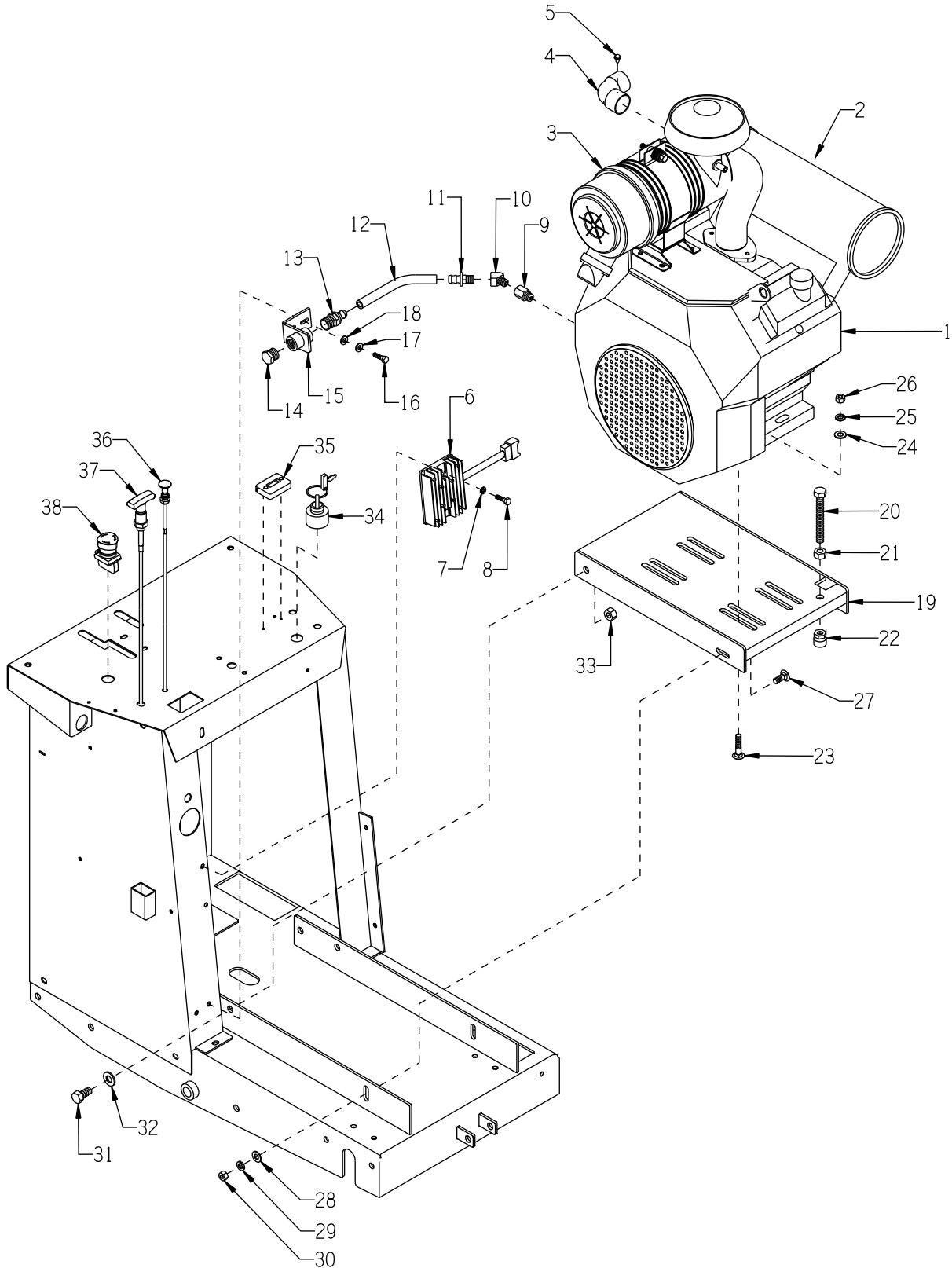
Printed in USA

JWA ©2013

Page 11

ILLUSTRATION 5: ENGINE GROUPING FOR HONDA GX630

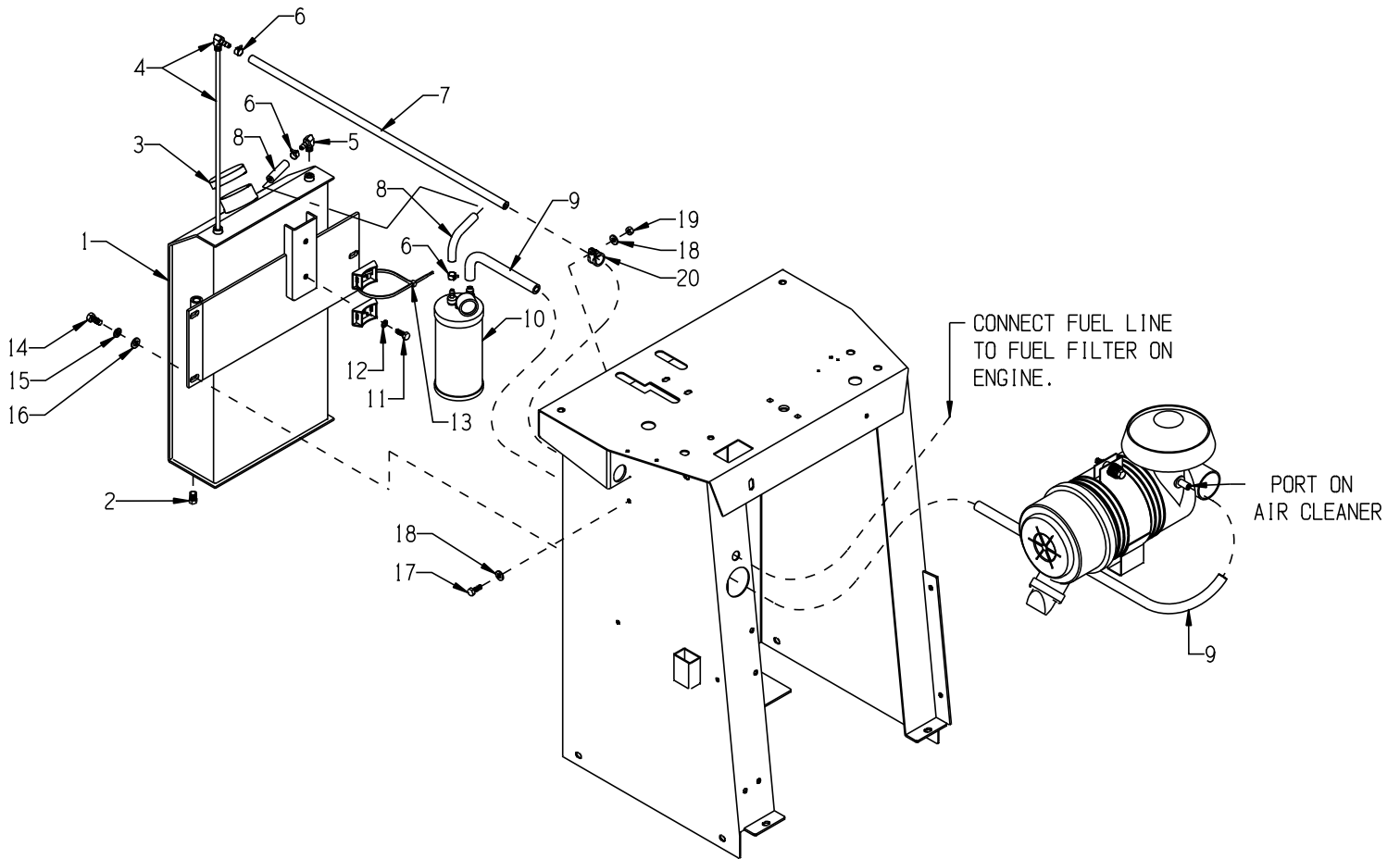
MODEL SS20-20H REVISED STARTING S/N 110410105



PARTS LISTING - ILLUSTRATION 5: ENGINE GROUPING FOR HONDA GX630			
ITEM #	PART #	DESCRIPTION	QTY.
1	15080	ENGINE, HONDA GX630R-TXF2	1
2	15246	MUFFLER, HONDA VHRM6	1
3	15247	AIR CLEANER, HONDA DNLS5 (COMPLETE)	1
	15247-1	ELEMENT, AIR FILTER, DNLS P821575	1
4	51224	ELBOW, SOLDER JOINT 1-1/4 X 90°	1
5	10877	SCREW, CAP STSHW 10-24 X 1/2	1
6	-----	REGULATOR RECTIFIER (INCLUDED W/ ENGINE)	-
7	10038	WASHER, LOCK 1/4 ZINC	2
8	10031	SCREW, CAP 1/4-20 X 1	2
9	11689	ADAPTER, 20MM X 1.5 TO 1/4FPT	1
10	10716	ELBOW, STREET 1/4NPT X 45 (BRASS)	1
11	11579	BARB, PUSH-ON 1/2HOSE X 1/4 MPT	1
12	51237	HOSE, PUSH-ON 1/2"ID X 7"L	1
13	80061	BARB, PUSH-ON 1/2HOSE X 1/2MPT	1
14	50552	PIPE PLUG 1/2 NPT (BRASS)	1
15	57159	BRACKET, OIL DRAIN	1
16	10018	SCREW, CAP 1/4-20 X 3/4	2
17	10038	WASHER, LOCK 1/4 ZINC	2
18	10602	WASHER, FLAT 1/4 SAE ZINC	2
19	51208	MOUNT, ENGINE, SS-16A/20/24	1
20	10392	BOLT, TAP 1/2-13 X 4 (FULL THREAD)	1
21	10417	NUT, HEX 1/2-13 ZINC	1
22	50710	TOGGLE PAD 7/8"D X 15/16"H X 1/2-13	1
23	10087	BOLT, CARRIAGE 3/8-16 X 1-3/4	4
24	10025	WASHER, FLAT 3/8 SAE ZINC	4
25	10811	WASHER, LOCK 3/8 ZINC	4
26	10404	NUT, HEX 3/8-16 ZINC	4
27	10802	BOLT, CARRIAGE 3/8-16 X 1 ZINC	2
28	10025	WASHER, FLAT 3/8 SAE ZINC	2
29	10811	WASHER, LOCK 3/8 ZINC	2
30	10404	NUT, HEX 3/8-16 ZINC	2
31	10304	SCREW, CAP 1/2-20 X 1	2
32	10312	WASHER, FLAT 1/2 SAE ZINC	2
33	10205	NUT, HEX LOCK 1/2-20 ZINC	2
34	15253	SWITCH ASSY., IGN., HONDA GX630 (INCL. W/ ENGINE)	1
35	15138	HOUR METER, INDUCTIVE	1
36	15129	CABLE, CHOKE CONTROL 72" (CUT TO 28")	1
37	51081	CABLE, TURN-TO-LOCK CONTROL 72" (CUT TO 37")	1
38	15257-R	SWITCH COMPLETE, E-STOP W/ RED N.C. CONTACT	1
	15257	BUTTON ONLY, PUSH-TURN TO RESET E-STOP	1
	15148	CLIP ONLY, E-STOP 333E	1
	15167	CONTACT BLOCK ONLY, N.C. E-STOP 33E01 RED	1

**ILLUSTRATION 6:
FUEL TANK GROUPING FOR HONDA GX630**

REVISED STARTING S/N 12010119



PARTS LISTING			
ILLUSTRATION 6: FUEL TANK GROUPING FOR HONDA GX630			
ITEM #	PART #	DESCRIPTION	QTY.
1	51221	TANK, FUEL 3 GAL., SS-20	1
2	11650	PIPE PLUG 1/8 NPT (BRASS) INCLUDED W/ ITEM 1 - FUEL TANK	1
3	61081	CAP, FUEL TANK W/ VITON GASKET (INCLUDES TEATHER CHAIN)	1
4	61058	TUBE, FUEL PICK-UP 19"	1
5	10771	BARB ELBOW 90, 1/4HOSE X 1/8MPT	1
6	10763	CLAMP, HOSE, SPRING-BAND 7/16"	4
7	10948	TUBING, EVAP LOW PERM. FUEL 1/4"ID X 23" (BULK P/N 10948)	2 FT.
8	10948	TUBING, EVAP LOW PERM. FUEL 1/4"ID X 6" (BULK P/N 10948)	1/2 FT.
9	15256	TUBING, EVAP LOW PERM. FUEL 3/8"ID X 52-1/2" (BULK P/N 15256)	4-1/2 FT.
10	51297	CANISTER, CARBON 468888A FOR HONDA (INLUDES 2 MOUNTING PADS)	1
11	10834	SCREW, CAP 1/4-20 X 1/2 ZINC	2
12	10451	WASHER, LOCK, INT. TOOTH 1/4"	2
13	10982	TIE, CABLE, BLACK NYLON 11-1/4"	2
14	10053	SCREW, CAP 5/16-18 X 3/4	3
15	10801	WASHER, LOCK 5/16 ZINC	3
16	10213	WASHER, FLAT 5/16 SAE ZINC	3
17	10018	SCREW, CAP 1/4-20 X 3/4	1
18	10602	WASHER, FLAT 1/4 SAE ZINC	2
19	10861	NUT, KEPS LOCK 1/4-20 ZINC	1
20	11565	CLAMP, LOOM, 5/8" (SAE SIZE 10)	1



A Division of Equipment Development Company, Inc.

100 Thomas Johnson Drive, Frederick, MD 21702-4600 USA

Phone (301) 663-1600 • 1-800-638-3326

Fax (301) 663-1607 • 1-800-447-3326

Website: www.edcoinc.com

Email: sales@edcoinc.com

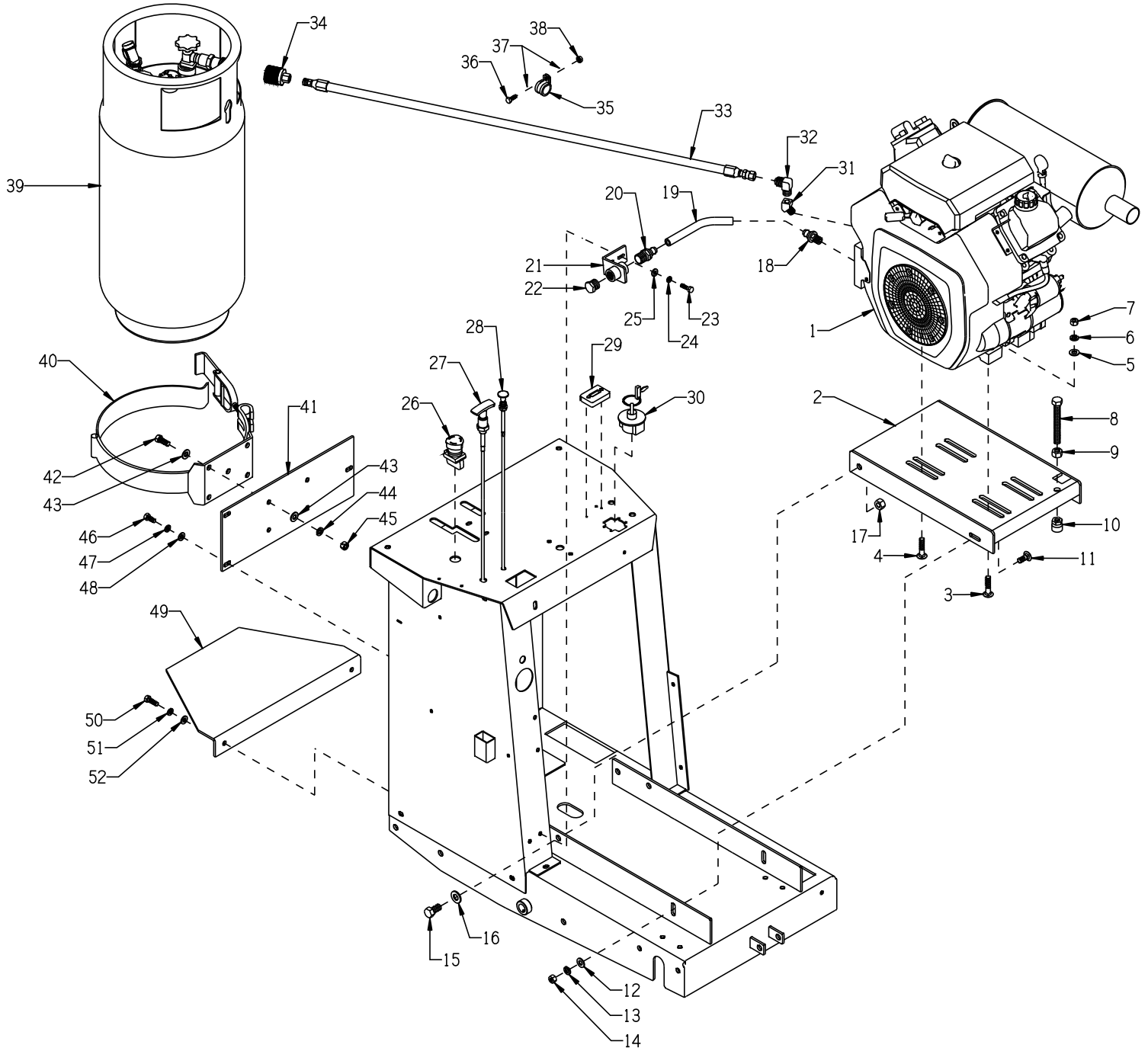
Printed in USA

JWA ©2013

Page 15

ILLUSTRATION 7: ENGINE GROUPING FOR KOHLER COMMAND CH730 PROPANE

MODEL SS20-25P



**PARTS LISTING - ILLUSTRATION 7:
ENGINE GROUPING FOR KOHLER COMMAND CH730 PROPANE**

ITEM #	PART #	DESCRIPTION	QTY.	ITEM #	PART #	DESCRIPTION	QTY.
1	15058	ENGINE, KOHLER 25HP COMMAND PROPANE	1	27	51081	CABLE, TURN-TO-LOCK CONTROL 72" (CUT TO 32")	1
2	51208	MOUNT, ENGINE, SS-16A/20/24	1	28	15129	CABLE, CHOKE CONTROL 72" (CUT TO 30")	1
3	10087	BOLT, CARRIAGE 3/8-16 X 1-3/4	3	29	15138	HOUR METER, INDUCTIVE	1
4	10364	BOLT, CARRIAGE 3/8-16 X 2	1	30	15285	SWITCH, KEY, KOHLER 25 099 30-S	1
5	10025	WASHER, FLAT 3/8 SAE ZINC	4	31	10716	ELBOW, STREET 1/4NPT X 45 (BRASS)	1
6	10811	WASHER, LOCK 3/8 ZINC	4	32	11667	ELBOW, 3/8FLARE X 1/4MPT X 90	1
7	10404	NUT, HEX 3/8-16 ZINC	4	33	15219	HOSE, HIGH PRESSURE 5/16 #6HPSS25UL	1
8	10392	BOLT, TAP 1/2-13 X 4 (FULL THREAD)	1	34	15131	COUPLING, REGO 7141F FEMALE	1
9	10417	NUT, HEX 1/2-13 ZINC	1	35	11565	CLAMP, LOOM, 5/8" (SAE SIZE 10)	1
10	50710	TOGGLE PAD 7/8"D X 15/16"H X 1/2-13	1	36	10018	SCREW, CAP 1/4-20 X 3/4	1
11	10802	BOLT, CARRIAGE 3/8-16 X 1 ZINC	2	37	10602	WASHER, FLAT 1/4 SAE ZINC	2
12	10025	WASHER, FLAT 3/8 SAE ZINC	2	38	10861	NUT, KEPS LOCK 1/4-20 ZINC	1
13	10811	WASHER, LOCK 3/8 ZINC	2	39	50473	PROPANE TANK 33LB. VERT. LIQ. WD.	1
14	10404	NUT, HEX 3/8-16 ZINC	2	40	15220	PROPANE TANK MOUNTING BRKT TB-67-1	1
15	10304	SCREW, CAP 1/2-20 X 1	2	41	51271	MOUNT PLATE, PROPANE TANK	1
16	10312	WASHER, FLAT 1/2 SAE ZINC	2	42	10055	SCREW, CAP 3/8-16 X 1	4
17	10205	NUT, HEX LOCK 1/2-20 ZINC	2	43	10025	WASHER, FLAT 3/8 SAE ZINC	8
18	50554	BARB, PUSH-ON 1/2HOSE X 3/8MPT	1	44	10811	WASHER, LOCK 3/8 ZINC	4
19	51244	HOSE, PUSH-ON 1/2"ID X 9-1/2"L	1	45	10404	NUT, HEX 3/8-16 ZINC	4
20	80061	BARB, PUSH-ON 1/2HOSE X 1/2MPT	1	46	10053	SCREW, CAP 5/16-18 X 3/4	4
21	57159	BRACKET, OIL DRAIN	1	47	10801	WASHER, LOCK 5/16 ZINC	4
22	50552	PIPE PLUG 1/2 NPT (BRASS)	1	48	10213	WASHER, FLAT 5/16 SAE ZINC	4
23	10018	SCREW, CAP 1/4-20 X 3/4	2	49	51272	BASE SUPPORT, PROPANE TANK	1
24	10038	WASHER, LOCK 1/4 ZINC	2	50	10806	SCREW, CAP 5/16-18 X 1	2
25	10602	WASHER, FLAT 1/4 SAE ZINC	2	51	10801	WASHER, LOCK 5/16 ZINC	2
26	15257-G	SWITCH COMPLETE, E-STOP . . . W/ GREEN N.O. CONTACT	1	52	10213	WASHER, FLAT 5/16 SAE ZINC	2
	15257	BUTTON ONLY, PUSH-TURN RESET	1				
	15148	CLIP ONLY, E-STOP 333E	1				
	15149	CONTACT BLOCK, N.O. 33E10 GREEN	1				



100 Thomas Johnson Drive, Frederick, MD 21702-4600 USA
 Phone (301) 663-1600 • 1-800-638-3326
 Fax (301) 663-1607 • 1-800-447-3326
 Website: www.edcoinc.com
 Email: sales@edcoinc.com

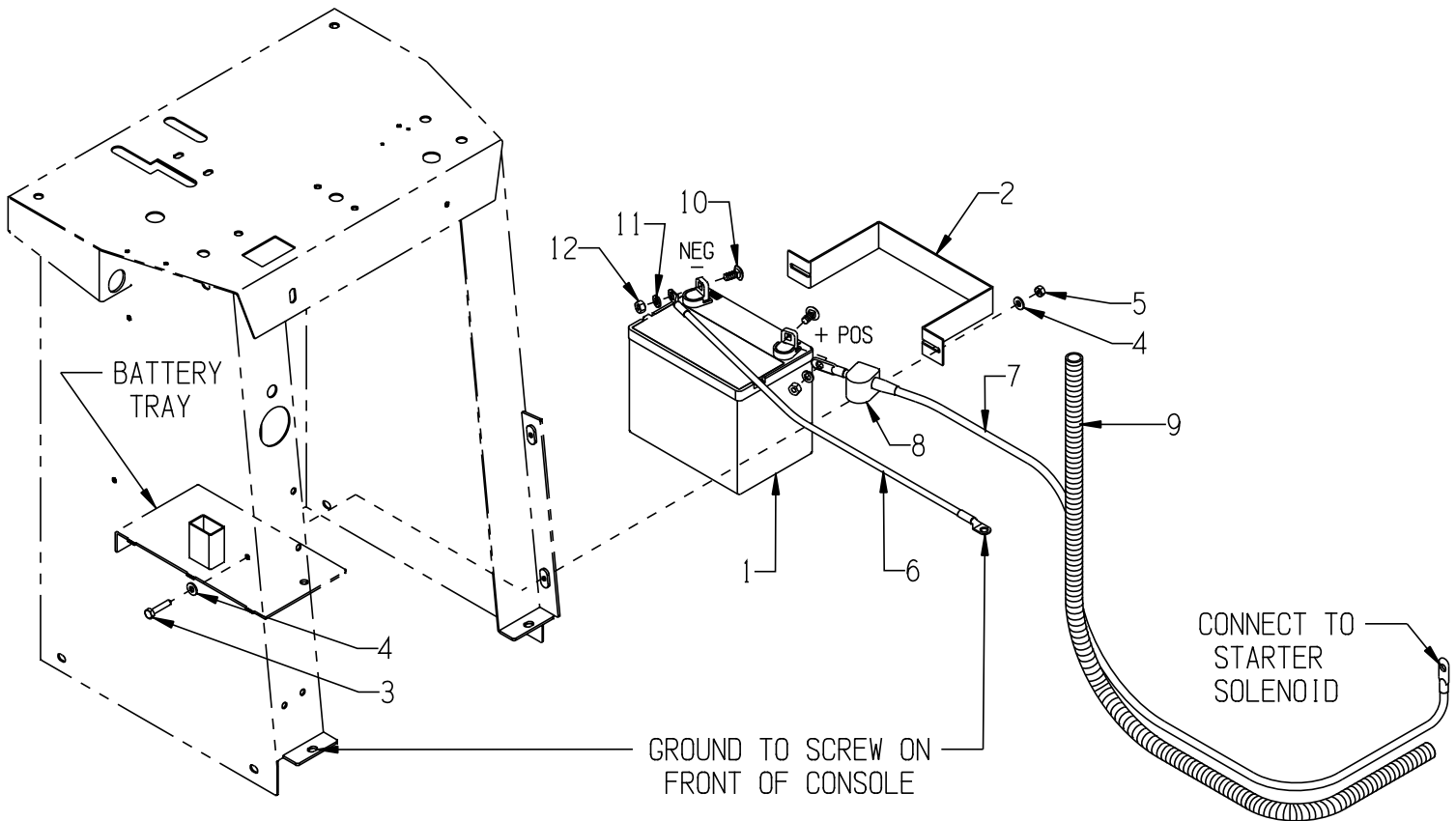
Printed in USA

JWA ©2013

Page 17

ILLUSTRATION 8: BATTERY GROUPING

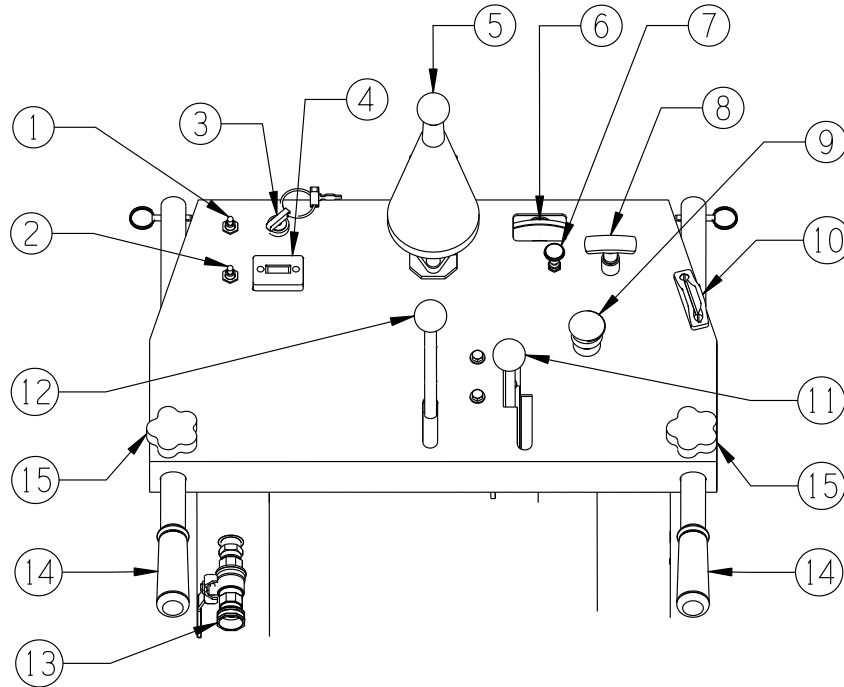
MODELS SS20-20H & SS20-25P



ITEM #	PART #	DESCRIPTION	QTY.
1	84011	BATTERY 12 VOLT/300 CCA(SMALL ENG.)	1
2	50091	CLAMP, BATTERY HOLD DOWN	1
3	10905	SCREW, CAP 1/4-20 X 1-1/4	2
4	10602	WASHER, FLAT 1/4 SAE ZINC	4
5	10150	NUT, HEX NYLON LOCK 1/4-20 ZINC	2
6	50117B	CABLE, EYE-EYE 4GA. X 24" (BLACK)	1
7	61064	CABLE, EYE-EYE 4GA. X 40" (RED)	1
8	11583	INSULATOR, BAT.TERM. U-1 STYLE(RED)	1
9	10926	LOOM, FLEX 5/8" (BULK P/N 10926)	5 FT.
10	10818	BOLT, CARRIAGE 5/16-18 X 3/4	2
11	10801	WASHER, LOCK 5/16 ZINC	2
12	10054	NUT, HEX 5/16-18 ZINC	2

ILLUSTRATION 9: OPERATING CONTROLS

E-SS20-PL-0913



ITEM #	PART #	DESCRIPTION	QTY.
1	10619 10633	BLADE SAVER SWITCH (SS20-20H & SS20-25P ONLY) TOGGLE SPDT 3 TERM. (MODEL SS20-20H) TOGGLE SPST 2 TERM. (MODEL SS20-25P)	1
2	10633	WATER PUMP SWITCH - TOGGLE SPST 2 TERM. (OPTIONAL ON MODEL SS20-20H & SS20-25P)	1
3	-----	IGNITION SWITCH (SEE ILLUS. 5 OR 7) (MODELS SS20-20H & SS20-25P ONLY)	1
4	15138	HOUR METER, INDUCTIVE (OPTIONAL ON MODEL SS20-13H)	1
5	-----	DEPTH CONTROL (SEE ILLUS. 1)	1
6	-----	DEPTH GAUGE (SEE ILLUS. 12)	1
7	15129	CABLE, CHOKE CONTROL (MODELS SS20-20H & SS20-25P ONLY)	1
8	51081	THROTTLE CONTROL CABLE	1
9	-----	SWITCH, EMERGENCY-STOP (SEE ENGINE GROUPINGS & WIRING DIAGRAMS)	1
10	11591	GUIDE ROPE CLEAT (SEE ILLUS. 1, ITEM 34)	1
11	-----	DRIVE CONTROL LEVER (SEE ILLUS. 6)	1
12	-----	CLUTCH CONTROL LEVER (SEE ILLUS. 7)	1
13	-----	WATER HOOK-UP & VALVE (SEE ILLUS. 2 OR 3)	1
14	-----	EXTENDABLE HANDLES (SEE ILLUS. 1)	2
15	51230	HANDLE LOCK (SEE ILLUS. 1, ITEM 41)	2



A Division of Equipment Development Company, Inc.

100 Thomas Johnson Drive, Frederick, MD 21702-4600 USA

Phone (301) 663-1600 • 1-800-638-3326

Fax (301) 663-1607 • 1-800-447-3326

Website: www.edcoinc.com

Email: sales@edcoinc.com

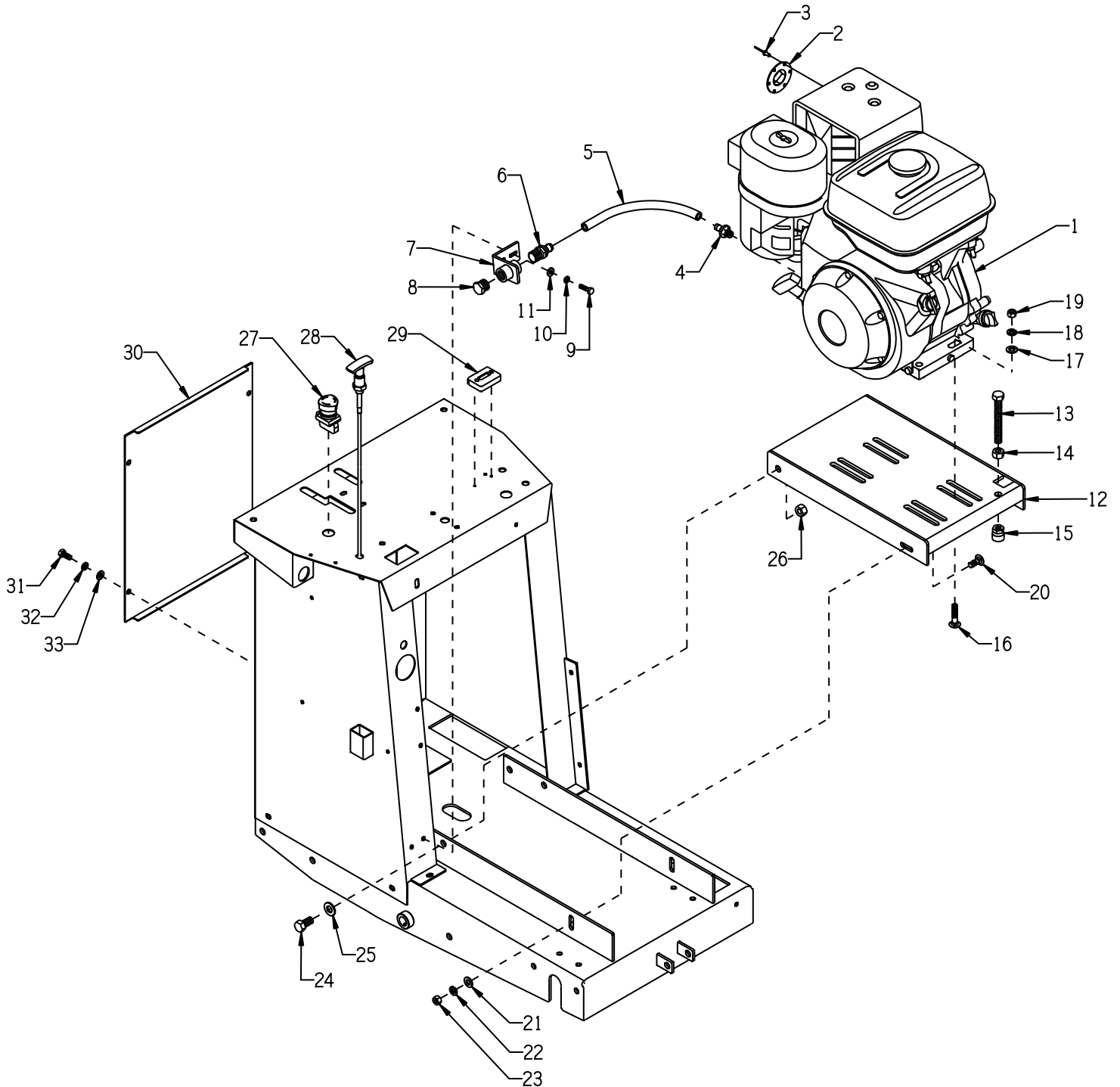
Printed in USA

JWA ©2013

Page 19

ILLUSTRATION 10: ENGINE GROUPING FOR HONDA GX390

MODEL SS20-13H



PARTS LISTING - ILLUSTRATION 10: ENGINE GROUPING FOR HONDA GX390			
ITEM #	PART #	DESCRIPTION	QTY.
1	15029	ENGINE, HONDA GX390UT2-QXC9 CYC.AC	1
2	10625	MUFFLER CAP, HONDA #18331-ZE3-811	1
3	10128	RIVET, BLIND 1/8 X .275L X .250HD	2
4	11542	BARB, PUSH-ON 3/8HOSE X M12-1.5MALE	1
5	51294	HOSE, PUSH-ON 1/2"ID X 10"L	1
6	80061	BARB, PUSH-ON 1/2HOSE X 1/2MPT	1
7	57159	BRACKET, OIL DRAIN	1
8	50552	PIPE PLUG 1/2 NPT (BRASS)	1
9	10018	SCREW, CAP 1/4-20 X 3/4	2
10	10038	WASHER, LOCK 1/4 ZINC	2
11	10602	WASHER, FLAT 1/4 SAE ZINC	2
12	51208	MOUNT, ENGINE, SS-16A/20/24	1
13	10392	BOLT, TAP 1/2-13 X 4 (FULL THREAD)	1
14	10417	NUT, HEX 1/2-13 ZINC	1
15	50710	TOGGLE PAD 7/8"D X 15/16"H X 1/2-13	1
16	10087	BOLT, CARRIAGE 3/8-16 X 1-3/4	4
17	10025	WASHER, FLAT 3/8 SAE ZINC	4
18	10811	WASHER, LOCK 3/8 ZINC	4
19	10404	NUT, HEX 3/8-16 ZINC	4
20	10802	BOLT, CARRIAGE 3/8-16 X 1 ZINC	2
21	10025	WASHER, FLAT 3/8 SAE ZINC	2
22	10811	WASHER, LOCK 3/8 ZINC	2
23	10404	NUT, HEX 3/8-16 ZINC	2
24	10304	SCREW, CAP 1/2-20 X 1	2
25	10312	WASHER, FLAT 1/2 SAE ZINC	2
26	10205	NUT, HEX LOCK 1/2-20 ZINC	2
27	15257-G	SWITCH COMPLETE, E-STOP W/ GREEN N.O. CONTACT	1
	15257	BUTTON ONLY, PUSH-TURN TO RESET	1
	15148	CLIP ONLY, E-STOP 333E	1
	15149	CONTACT BLOCK ONLY, N.O. 33E10 GREEN	1
28	51081	CABLE, TURN-TO-LOCK CONTROL 72" (CUT TO 23")	1
29	15138	HOUR METER, INDUCTIVE (OPTIONAL)	1
30	51304	GUARD, CONSOLE REAR, SS-16A/20	1
31	10018	SCREW, CAP 1/4-20 X 3/4	4
32	10038	WASHER, LOCK 1/4 ZINC	4
33	10602	WASHER, FLAT 1/4 SAE ZINC	4



A Division of Equipment Development Company, Inc.

100 Thomas Johnson Drive, Frederick, MD 21702-4600 USA

Phone (301) 663-1600 • 1-800-638-3326

Fax (301) 663-1607 • 1-800-447-3326

Website: www.edcoinc.com

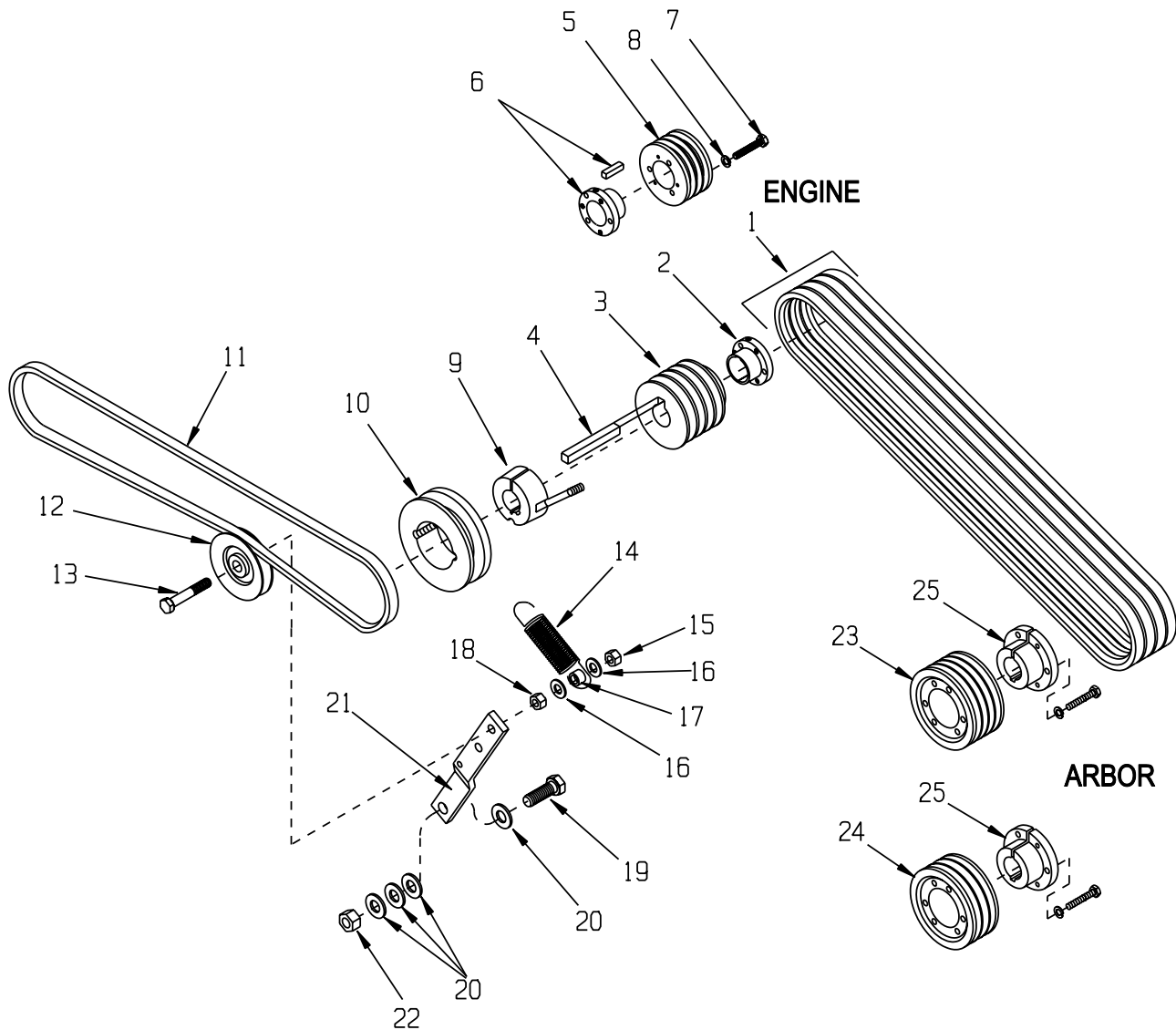
Email: sales@edcoinc.com

Printed in USA

JWA ©2013

Page 21

ILLUSTRATION 11: BELT DRIVE GROUPING



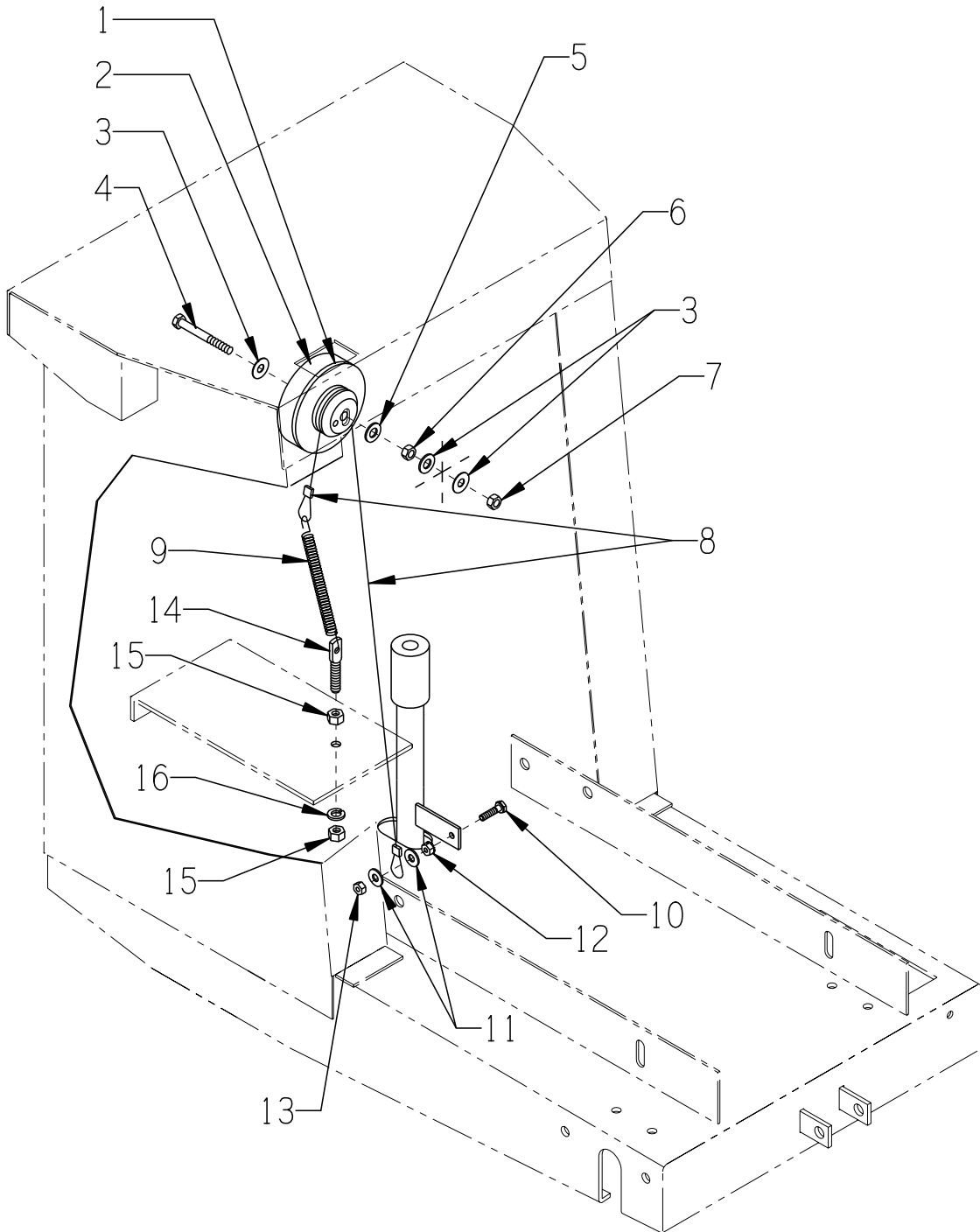
MODEL SS20 BELT DRIVE SPECIFICATION CHART							
ENGINE	ENGINE RPM	BLADE DIAMETER	BLADE SPEED (RPM)	ENGINE SHEAVE	ARBOR SHEAVE	ARBOR BELTS	TRANSMISSION BELT
HONDA GX390	3600	14" - 16"	3600	3.65 3-Groove	3.65" 3-Groove	3VX335 3-Required	A50
HONDA GX630	3600	18" - 20"	2750	2.80" 4-Groove	3.65" 4-Groove	3VX335 4-Required	A46
KOHLER CH730 PROPANE	3600	18" - 20"	2750	2.80" 4-Groove	3.65" 4-Groove	3VX355 4-Required	A46

PARTS LISTING - ILLUSTRATION 11: BELT DRIVE GROUPING			
ITEM #	PART #	DESCRIPTION	QTY.
1	10201 10276	BELT, ARBOR 3VX335 (HONDA GX390 & GX630) 3VX355 (KOHLER CH730)	3 & 4 4
2	10533	BUSHING, SHEAVE JA X 1-1/8"BORE (HONDA GX630 ONLY)	1
3	64037 64036	SHEAVE 2.8"OD X 4GR.3V X JA (HONDA GX630) 2.8"OD X 4GR.3V X 1-7/16"BORE (KOHLER CH730)	1
4	51247	KEY 3/8 SQ X 3 (HONDA GX630 & KOHLER CH730)	1
5	10539	SHEAVE 3.65"OD X 3GR.3V X SH (HONDA GX390)	1
6	10076	BUSHING, SHEAVE SH X 1"BORE (HONDA GX390) INCLUDES KEY	1
7	11714	BOLT, TAP 1/4-20 X 2 (FULL THD)	3
8	10038	WASHER, LOCK 1/4 ZINC	3
9	10544 10529 10531	BUSHING, SHEAVE TAPER-LOCK 1"BORE (HONDA GX390) TAPER-LOCK 1-1/8"B (HONDA GX630) TAPER-LOCK 1610 1-7/16"B (KOHLER CH730)	1
10	10528	SHEAVE 4.15"OD X 1GR.AB X TAPER-LOCK	1
11	51311 10203	BELT, TRANSMISSION A-50 (HONDA GX390) A-46 (HONDA GX630 & KOHLER CH730)	1
12	51226	IDLER PULLEY 2.75 X 3/4FLAT X 3/8	1
13	10336	SCREW, CAP 3/8-24 X 2-1/4	1
14	50074	SPRING, EXT. 1"OD X 3-15/16	1
15	10004	NUT, HEX LOCK 3/8-24 ZINC	1
16	10025	WASHER, FLAT SAE ZINC	2
17	10113	SPACER, STEEL 9/16OD X 3/8ID X 7/32	1
18	10014	NUT, HEX 3/8-24 ZINC	1
19	10308	SCREW, CAP 1/2-20 X 1-1/2	1
20	10312	WASHER, FLAT 1/2 SAE ZINC	4
21	51052	IDLER ARM	1
22	10205	NUT, HEX LOCK 1/2-20 ZINC	1
23	10504	SHEAVE 3.65"OD X 4GR.3V X SH (HONDA GX630 & KOHLER CH730)	1
24	10539	SHEAVE 3.65"OD X 3GR.3V X SH (HONDA GX390)	1
25	10076	BUSHING, SHEAVE SH X 1"BORE (INCLUDES SCREWS & WASHERS)	1

ILLUSTRATION 12: BLADE DEPTH GAUGE KIT PART # 51238

STANDARD ON MODELS SS20-20H & SS20-25P

OPTIONAL ON MODEL SS20-13H



**PARTS LISTING - ILLUSTRATION 12:
BLADE DEPTH GAUGE KIT - PART # 51238**

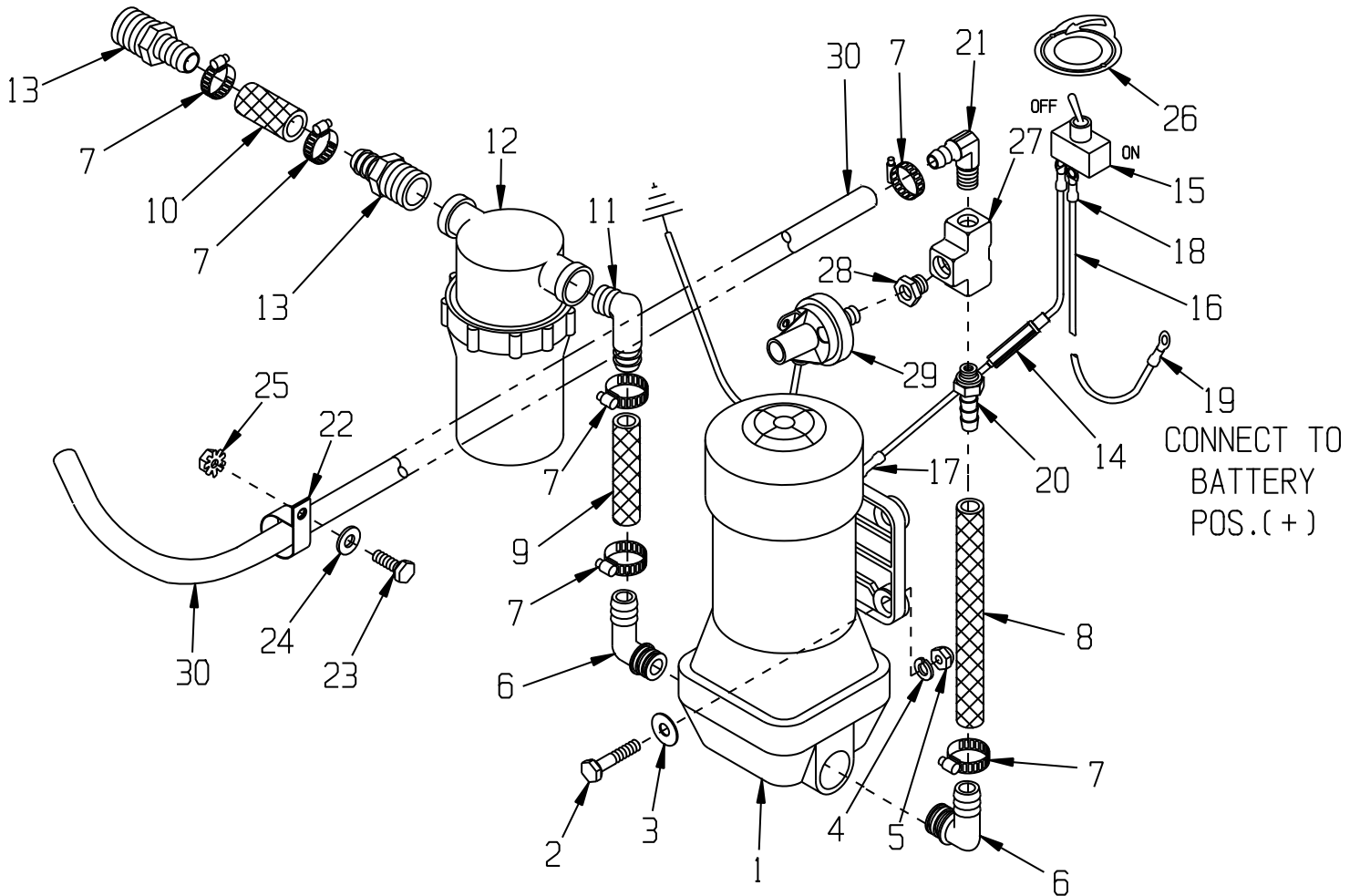
ITEM #	PART #	DESCRIPTION	QTY.
1	57132	WHEEL, DEPTH GAUGE	1
2	----	DEPTH GAUGE DECAL (PART OF DECAL KIT, PART # 92214)	1
3	10025	WASHER, FLAT 3/8 SAE ZINC	3
4	10336	SCREW, CAP 3/8-24 X 2-1/4	1
5	64159	SHIM 3/8 X 5/8 X .031	1
6	10004	NUT, HEX LOCK 3/8-24 ZINC	1
7	10152	NUT, HEX NYLON LOCK 3/8-24 ZINC	1
8	51240	CABLE, DEPTH GAUGE 3/32 X 25"L	1
9	3636	SPRING, EXT. 6"L	1
10	10031	SCREW, CAP 1/4-20 X 1	1
11	10602	WASHER, FLAT 1/4 SAE ZINC	2
12	10861	NUT, KEPS LOCK 1/4-20 ZINC	1
13	10150	NUT, HEX NYLON LOCK 1/4-20 ZINC	1
14	10843	BOLT, SPADE 3/8-16 X 1-5/8	1
15	10404	NUT, HEX 3/8-16 ZINC	2
16	10811	WASHER, LOCK 3/8 ZINC	1



100 Thomas Johnson Drive, Frederick, MD 21702-4600 USA
 Phone (301) 663-1600 • 1-800-638-3326
 Fax (301) 663-1607 • 1-800-447-3326
 Website: www.edcoinc.com
 Email: sales@edcoinc.com

**ILLUSTRATION 13: OPTIONAL WATER PUMP KIT
PART # 51270**

MODELS SS20-20H & SS20-25P ONLY



**PARTS LISTING - ILLUSTRATION 13:
OPTIONAL WATER PUMP KIT
PART # 51270**

ITEM #	PART #	DESCRIPTION	QTY.
1	50470	PUMP, WATER, 12VDC, FLOJET QUAD	1
2	10905	SCREW, CAP 1/4-20 X 1-1/4	4
3	10602	WASHER, FLAT 1/4 SAE ZINC	4
4	10038	WASHER, LOCK 1/4 ZINC	4
5	10876	NUT, ACORN 1/4-20	4
6	50469	PUMP QUAD PORT BARB ELBOW 1/2"	2
7	50069	CLAMP, HOSE, SAE #6, ADJ. TO 13/16	6
8	57168	HOSE, WATER 1/2"ID X 4-7/8"L	1
9	51261	HOSE, WATER 1/2"ID X 4"L	1
10	50532	HOSE, WATER 1/2"ID X 2"L	1
11	50471	BARB ELBOW 90, 1/2HOSE X 1/2MPT	1
12	57170	STRAINER, NYLON T-STYLE 1/2FPT	1
13	10680	BARB, 1/2HOSE X 1/2MPT (PLASTIC)	1
14	50447	FUSE & HOLDER, 10 AMP	1
15	10633	SWITCH, TOGGLE SPST 15/10A-115/250V	1
16	51262	WIRE, RED 14AWG X 30"L	1
17	10938	CONNECTOR, BUTT 16-14GA. INSULATED	1
18	50084	TERM., RING #10 16-14GA. INSULATED	2
19	10968	TERM., RING 5/16 16-14GA. INSULATED	1
*20	11579	BARB, PUSH-ON 1/2HOSE X 1/4 MPT	1
*21	10799	BARB ELBOW 90, 3/8HOSE X 1/4MPT	1
*22	11565	CLAMP, LOOM, 5/8" (SAE SIZE 10)	1
*23	10018	SCREW, CAP 1/4-20 X 3/4	1
*24	10602	WASHER, FLAT 1/4 SAE ZINC	1
*25	10861	NUT, KEPS LOCK 1/4-20 ZINC	1
*26	-----	DECAL, WATER PUMP ON-OFF (PART OF DECAL KIT # 92214)	-
**27	10719	PIPE TEE, FEMALE 1/4 NPT (BRASS)	-
**28	10718	BUSHING, HEX 1/4 X 1/8 NPT (BRASS)	-
**29	50215	SWITCH, PRESSURE, 78628 1 N/O (MODEL SS20-20H)	-
	51030	SWITCH, PRESSURE, 76061 2 N/C (MODEL SS20-25P)	-
***30	51222	HOSE, WATER 3/8"ID X 45"L	-
1-19 THESE ITEMS ARE PRE-ASSEMBLED			
*20-26 THESE ITEMS ARE NOT PRE-ASSEMBLED			
**27-29 THESE ITEMS ARE REUSED FROM THE EXISTING UNIT. THEY ARE SHOWN FOR ASSEMBLY PURPOSES ONLY			
***30 THIS ITEM IS REUSED FROM THE EXISTING UNIT. TRIM OFF TO THE APPROPRIATE LENGTH			



A Division of Equipment Development Company, Inc.

100 Thomas Johnson Drive, Frederick, MD 21702-4600 USA

Phone (301) 663-1600 • 1-800-638-3326

Fax (301) 663-1607 • 1-800-447-3326

Website: www.edcoinc.com

Email: sales@edcoinc.com

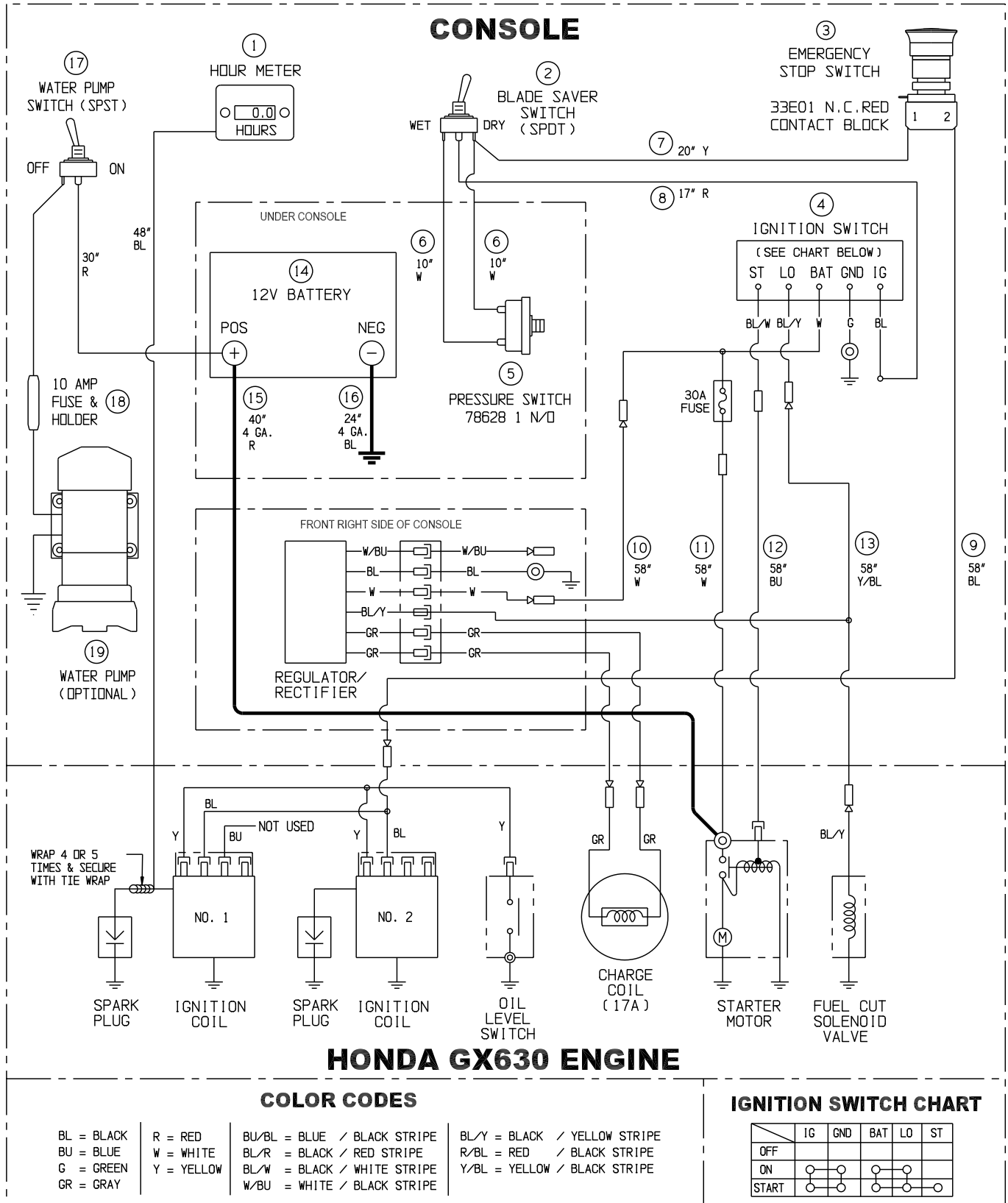
Printed in USA

JWA ©2013

Page 27

WIRING DIAGRAM FOR MODEL SS20-20H

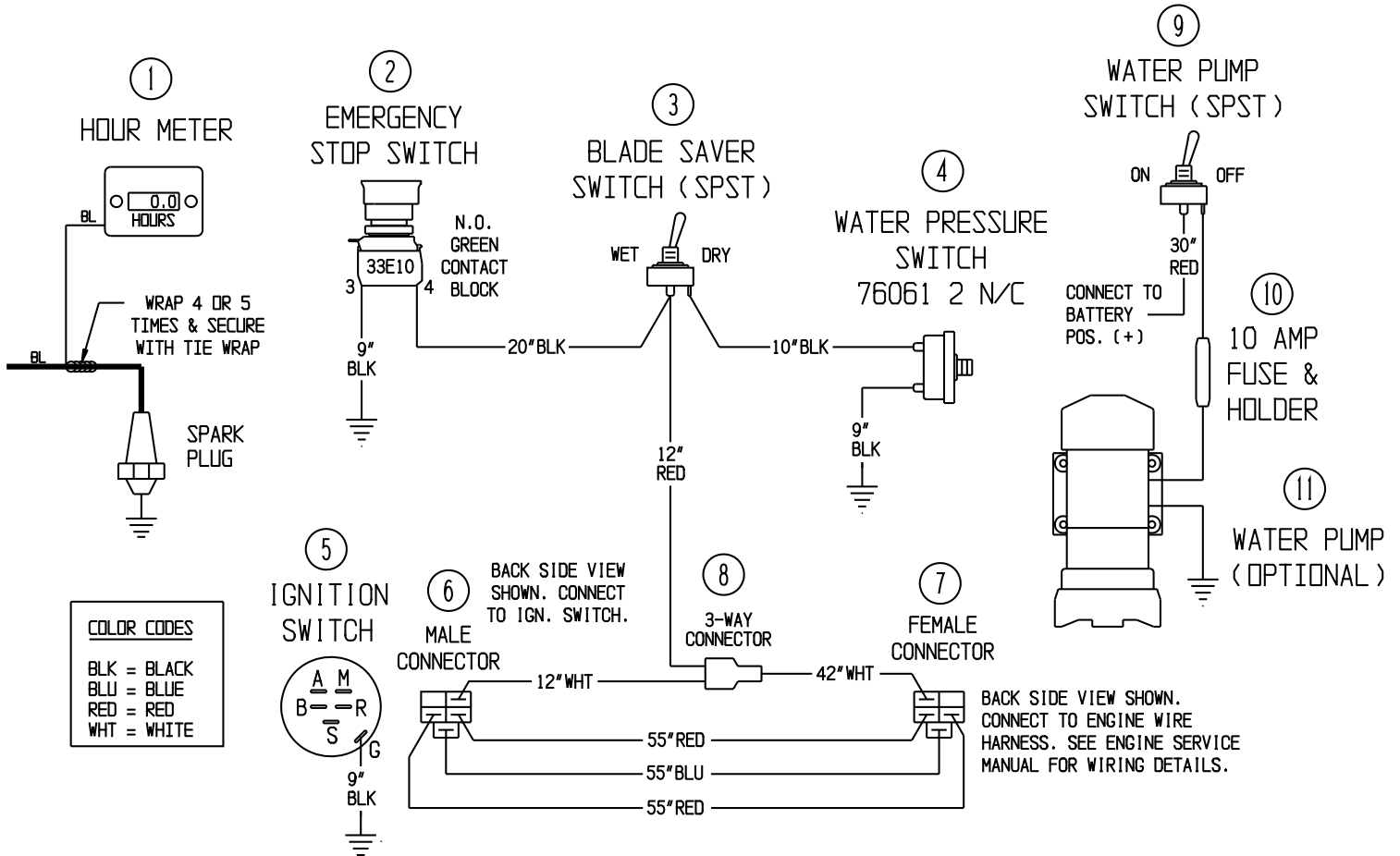
REVISED STARTING S/N 110410105



PARTS LISTING			
WIRING DIAGRAM FOR MODEL SS20-20H			
ITEM #	PART #	DESCRIPTION	QTY.
1	15138	HOUR METER, INDUCTIVE (INCLUDES 48" BLACK WIRE)	1
2	10619	BLADE SAVER SWITCH TOGGLE SPDT (3 SCREW TERMINALS)	1
3	15257-R	SWITCH COMPLETE, E-STOP . . . W/ RED N.C. CONTACT	1
	15257	BUTTON ONLY, PUSH-TURN TO RESET	1
	15148	CLIP ONLY, E-STOP 333E	1
	15167	CONTACT BLOCK ONLY, N.C. 33E01 RED	1
4	15253	SWITCH ASSY., IGN. HONDA P/N 35100-Z6L-003 (INCLUDED W/ ENGINE)	1
5	50215	SWITCH, PRESSURE, 78628 1 N/O	1
6	51431	WIRE 10" WHITE 14 GA. #10 RING TERM. BOTH ENDS	2
7	51442	WIRE 20" YELLOW 14 GA. #10 RING TERM. ONE END	1
8	51443	WIRE 17" RED 14 GA. #10 RING TERM. & FORD BULLET CONN.	1
9	51444	WIRE 58" BLACK 14 GA. FORD BULLET ONE END	
*10	51445	WIRE 58" WHITE 14 GA. FORD BULLET CONN. & FORD LINE CONN.	1
*11	51446	WIRE 58" WHITE 14 GA BUTT CONN. & 5/16" RING TERM.	1
*12	51447	WIRE 58" BLUE 14 GA BUTT CONN. & 1/4" FEM. PUSH-ON TERM.	1
*13	51448	WIRE 58" YELLOW W/ BLACK STRIPE 14 GA. FORD BULLET CONN. & FORD LINE CONN.	1
14	84011	BATTERY 12 VOLT/300 CCA(SMALL ENG.)	1
15	61064	CABLE, EYE-EYE 4GA. X 40" (RED)	1
16	50117B	CABLE, EYE-EYE 4GA. X 24" (BLACK)	1
17	10633	SWITCH, TOGGLE SPST 15/10A-115/250V (2 SCREW TERMINALS)	1
18	50447	FUSE & HOLDER, 10 AMP	1
19	50470	PUMP, WATER, 12VDC, FLOJET QUAD (OPTIONAL)	1
* THESE WIRES ARE PART OF A WIRE HARNESS ASSEMBLY - PART # 51449			

WIRING DIAGRAM FOR MODEL SS20-25P

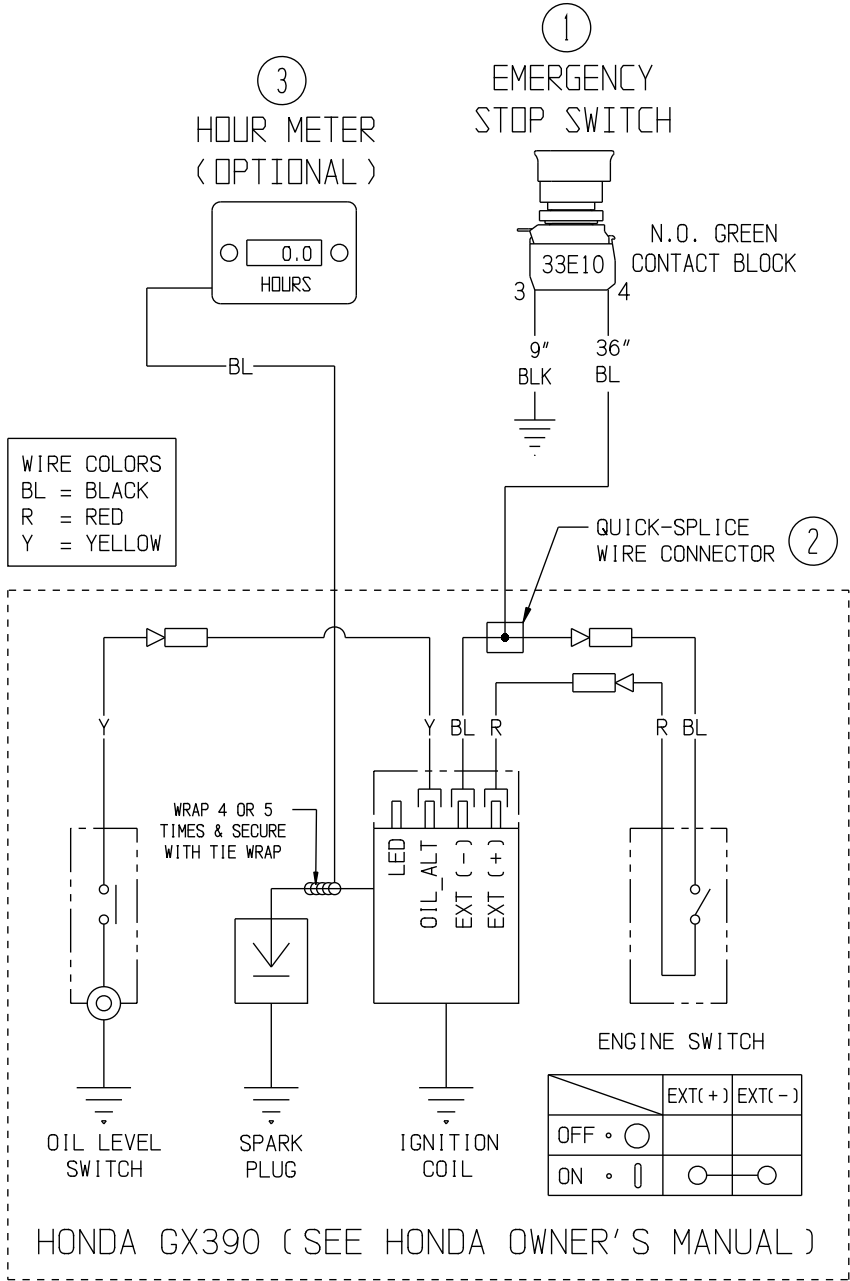
REVISED STARTING S/N 100410066



ITEM #	PART #	DESCRIPTION	QTY.
1	15138	HOUR METER, INDUCTIVE	1
2	15257-G	SWITCH COMPLETE, E-STOP W/ GREEN N.O. CONTACT	1
	15257	BUTTON ONLY, PUSH-TURN TO RESET	1
	15148	CLIP ONLY, E-STOP 333E	1
	15149	CONTACT BLOCK ONLY, N.O. 33E10 GREEN	1
3	10633	SWITCH, TOGGLE SPST 15/10A-115/250V (2 SCREW TERMINALS)	1
4	51030	SWITCH, PRESSURE, 76061 2 N/C (NORMALY CLOSED)	1
5	10650	SWITCH, KEY, KOHLER 25 099 32-S	1
6	51048	CONNECTOR, WIRE HARNESS, MALE	1
	10675	TERMINAL, FEM., KOHLER 25-452-01-S	4
7	51049	CONNECTOR, WIRE HARNESS, FEMALE	1
	10676	TERMINAL, MALE, KOHLER 52-452-01-S	4
8	11582	CONNECTOR, BULLET FORD 3-WAY STD.	1
9	10633	SWITCH, TOGGLE SPST 15/10A-115/250V (2 SCREW TERMINALS)	1
10	50447	FUSE & HOLDER, 10 AMP	1
11	50470	PUMP, WATER, 12VDC, FLOJET QUAD (OPTIONAL)	1

WIRING DIAGRAM FOR MODEL SS20-13H

REVISED STARTING S/N 100510184



ITEM #	PART #	DESCRIPTION	QTY.
1	15257-G	SWITCH COMPLETE, E-STOP W/ GREEN N.O. CONTACT	1
	15257	BUTTON ONLY, PUSH-TURN TO RESET	1
	15148	CLIP ONLY, E-STOP 333E	1
	15149	CONTACT BLOCK ONLY, N.O. 33E10 GREEN	1
2	10970	CONN., WIRE QUICK-SPLICE 18-14 GA.	1
3	15138	HOUR METER, INDUCTIVE (OPTIONAL)	1



100 Thomas Johnson Drive, Frederick, MD 21702-4600 USA
 Phone (301) 663-1600 • 1-800-638-3326
 Fax (301) 663-1607 • 1-800-447-3326
 Website: www.edcoinc.com
 Email: sales@edcoinc.com

DECAL SHEET P/N 92213



CAUTION
DISCONNECT ELECTRICAL POWER SUPPLY OR SPARK PLUG
To prevent injury when servicing or changing blades or accessories

SS-20 & 24-1 14 x 17
P/N 92213 RevA



exceeds 85dBA

CALIFORNIA PROPOSITION 65 WARNING
The engine exhaust from this product contains chemicals known to the State of California to cause cancer, birth defects or other reproductive harm.

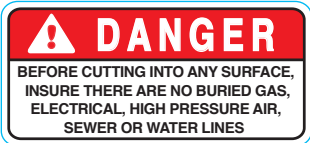
CHECK OIL DAILY



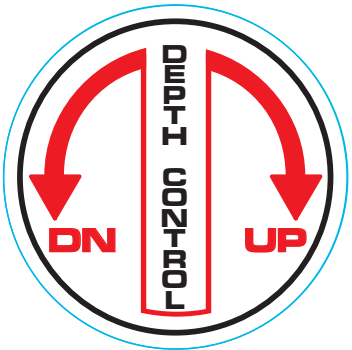
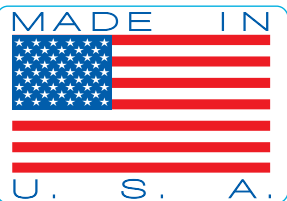
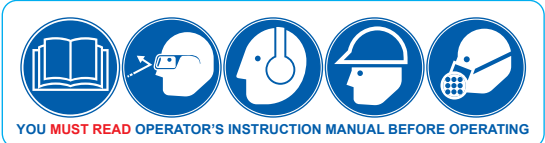
SS-24

DECAL SHEET P/N 92214

SS-20 & 24-2 14 x 17
P/N 92214 RevB

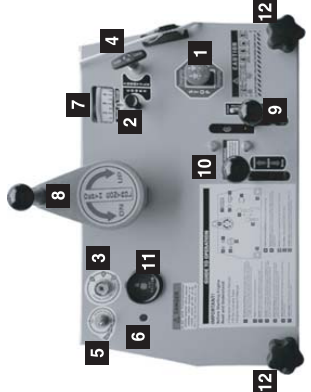


NOTE: Locate this decal so it is visible from operator's position

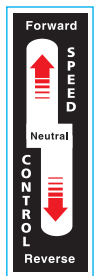
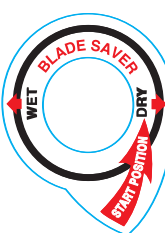
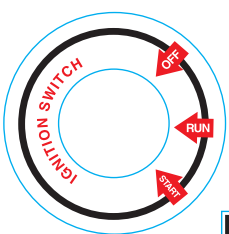
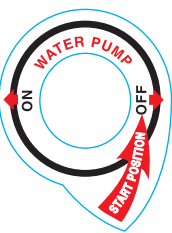


GUIDE TO OPERATION

IMPORTANT!
Before Starting Engine Read and Understand:
i Operators Instruction Manual
i Rx for Concrete Saws
i Engine Owners Manual



- 1 **Emergency Stop (E-Stop):** Before operation, be sure the E-Stop is reset by lifting the knob, PUSH to shut off the engine in an emergency. If the E-Stop is not reset, the engine will not start. An ON/OFF switch in place of the ignition will drain the battery.
- 2 **Choke:** Use to aid cold weather engine starting.
- 3 **Ignition:** (Optional location, depending on engine model) Use key to start. As a safety precaution, remove key when not in use.
- 4 **Throttle:** Turn COUNTER CLOCKWISE to unlock, CLOCKWISE to lock, PULL UP to increase engine RPM, PUSH DOWN to decrease, Turn Right to lock cable in position once desired engine speed is reached.
- 5 **Blade Saver Switch:** Must be in the DRY position to start the saw. If using a WET CUT Blade, open the water valve and select the WET position after starting the saw and before starting to cut.
- 6 **Water Pump Switch:** (Optional) Activates pump to pull water from an external tank.
- 7 **Depth Gauge:** Provides readout of blade depth. Dial to zero when blade first comes in contact with surface.
- 8 **Depth Control Handwheel:** Raises and lowers the blade.
- 9 **Speed Control:** Controls saw speed in FWD and REV. The saw is powered by a hydrostatic transmission, which permits unlimited speed control.
- 10 **Clutch:** Pull back to engage DRIVE. Push forward to "freewheel"
- 11 **Hour Meter:** Gives readout of engine run-time.
- 12 **Handle Locks:** Loosen knobs to adjust handle position. Be sure to securely re-tighten the knobs once handle is positioned.



SS-20



100 Thomas Johnson Drive, Frederick, MD 21702-4600 USA
Phone (301) 663-1600 • 1-800-638-3326
Fax (301) 663-1607 • 1-800-447-3326
Website: www.edcoinc.com
Email: sales@edcoinc.com

**THIS PAGE WAS LEFT
BLANK INTENSIONALLY**



A Division of Equipment Development Company, Inc.

100 Thomas Johnson Drive, Frederick, MD 21702-4600 USA
Phone (301) 663-1600 • 1-800-638-3326
Fax (301) 663-1607 • 1-800-447-3326
Website: www.edcoinc.com
Email: sales@edcoinc.com

Printed in USA

JWA ©2013

LIMITED EQUIPMENT WARRANTY OF SALE - TERMS & CONDITIONS

Equipment Development Company, Inc. herein referred to as EDCO (Seller) warrants that each new unit manufactured by EDCO to be free from defects in material and workmanship in normal use and service for a period of (1) one year (except for the cutter drum assembly on all model concrete/asphalt planes, in which case the warranty period shall be 90 days) from date of shipment to the original retail or equipment rental center owner.

Accessories or equipment furnished and installed on the product by EDCO but manufactured by others, including, but not limited to engines, motors, electrical components, transmissions etc., shall carry the accessory manufacturers own warranty.

EDCO will, at its option, repair or replace, at the EDCO factory or at a point designated by EDCO, any part which shall appear to the satisfaction of EDCO inspection to have been defective in material or workmanship.

EDCO reserves the right to modify, alter and improve any part or parts without incurring any obligation to replace any part or parts previously sold without such modified, altered or improved part or parts.

This warranty is in lieu of and excludes all other warranties, expressed, implied, statutory, or otherwise created under applicable law including, but not limited to the warranty of merchantability and the warranty of fitness for a particular purpose in no event shall seller or the manufacturer of the product be liable for special, incidental, or consequential damages, including loss of profits, whether or not caused by or resulting from the negligence of seller and/or the manufacturer of the product unless specifically provided herein. In addition, this warranty shall not apply to any products or portions thereof which have been subjected to abuse, misuse, improper installation, maintenance, or operation, electrical failure or abnormal conditions and to products which have been tampered with, altered, modified, repaired, reworked by anyone not approved by seller or used in any manner inconsistent with the provisions of the above or any instructions or specifications provided with or for the product

FORCE MAJEURE

Seller's obligation hereunder are subject to, and Seller shall not be held responsible for, any delay or failure to make delivery of all or any part of the Product due to labor difficulties, fires, casualties, accidents, acts of the elements, acts of God, transportation difficulties, delays by a common carrier, inability to obtain Product, materials or components or qualified labor sufficient to timely perform part of or all of the obligations contained in these terms and conditions, governmental regulations or actions, strikes, damage to or destruction in whole or part of manufacturing plant, riots, terrorist attacks or incidents, civil commotions, warlike conditions, flood, tidal waves, typhoon, hurricane, earthquake, lightning, explosion or any other causes, contingencies or circumstances within or without the United States not subject to the Seller's control which prevent or hinder the manufacture or delivery of the Products or make the fulfillment of these terms and conditions impracticable. In the event of the occurrence of any of the foregoing, at the option of Seller, Seller shall be excused from the performance under these Terms and Conditions, or the performance of the Seller shall be correspondingly extended.

This document sets forth the terms and conditions pursuant to which the purchaser ("Purchaser") will purchase and Equipment Development Co. Inc. ("Seller") will sell the products, accessories, attachments (collectively the Products ") ordered by the Purchaser. These terms and conditions shall govern and apply to the sale of Seller's Products to Purchaser, regardless of any terms and conditions appearing on any purchase order or other forms submitted by Purchaser to Seller, or the inconsistency of any terms therein and herein.

1. PRICE

All prices set forth on any purchase order or other document are F.O.B. Sellers facility or distribution point, as may be determined by Seller (F.O.B. Point). All prices are exclusive of any and all taxes, including, but not limited to, excise, sales, use, property or transportation taxes related to the sale or use of the Products, now or hereafter imposed, together with all penalties and expenses. Purchaser shall be responsible for collecting and/or paying any and all such taxes, whether or not they are stated in any invoice for the Products. Unless otherwise specified herein, all prices are exclusive of inland transportation, freight, insurance and other costs and expenses relating to the shipment of the Products from the F.O.B. point to Purchaser's facility. Any prepayment by Seller of freight insurance and other costs shall be for the account of Purchaser and shall be repaid to Seller.

2. PAYMENT TERMS

Payment terms are as follows. 2% 10 days (to approved and qualified accounts). Net 30 days. This is a cash discount for invoices paid within 10 days after the invoice date, regardless of date of receipt of shipment. This is not a trade discount and will not be granted to accounts that do not adhere to stated terms.

*All past due accounts are subject to a late payment fee of 1.5% per month or a maximum allowed by law if different, along with the expenses incidental to collection including reasonable attorney's fees and costs.

*Seller reserves the right to hold shipments against past due accounts.

*Seller reserves the right to alter payment terms.

3. FREIGHT TERMS

All shipments will be made F.O.B. shipping point as designated in these Terms and Conditions, and title shall pass at the F.O.B. point. Delivery to the initial common carrier shall constitute delivery to the Purchaser. Any claims for loss or damage during shipment are to be filed with carrier by the Purchaser. Seller will not assume responsibility for the performance of the carrier.

Back orders will be shipped in the most practical fashion with charges consistent with our freight policy established with the original order. UPS, FED EX, MAIL or shipments by other couriers are subject to the same terms and conditions as outlined in paragraph #3 "Freight Terms".

4. DELIVERY, DAMAGES, SHORTAGES

Seller shall use reasonable efforts to attempt to cause the Products to be delivered as provided for in these Terms & Conditions. Delivery to the initial common carrier shall constitute the delivery to the Purchaser. Seller's responsibility, in so far as transportation risks are concerned ceases upon the delivery of the Products in good condition to such carrier at the F.O.B. point and all the Products shall be shipped at the Purchaser's risk. Seller shall not be responsible or liable for any loss of income and/or profits, or incidental, special, consequential damages resulting from Seller's delayed performance in shipment and delivery.

5. RETURN OF DEFECTIVE PRODUCTS

Defective or failed material shall be held at the Purchaser's premises until authorization has been granted by Seller to return or dispose of Products. Products that are to be returned for final inspection must be returned Freight Prepaid in the most economical way. Credit will be issued for material found to be defective upon Seller's inspection based on prices at time of purchase.

6. PRODUCTS ORDERED IN ERROR

Products may be returned, provided that claim is made and Seller is notified within 7 days of receipt of Products, and the Products are in original buyer's possession not more than 30 days prior to return, subject to Seller's approval. If Products are accepted for return, they must be Freight Prepaid and buyer will be charged a minimum of 15% restocking charge, plus a charge back for outbound freight charges if the original order was shipped prepaid. Returns are not accepted for any Products that are specifically manufactured to meet the buyer's requirement of either specifications or quantity.

AGREEMENTS

These Terms and Conditions constitute the entire agreement between Seller and Purchaser as it relates to terms and conditions of sale, and supersedes any and all prior oral or written agreements, correspondence, quotations or understandings heretofore in force between the parties relating to the subject matter hereof. There are no agreements between Seller and Purchaser with respect to the Product herein except those specifically set forth in and made part of these terms and conditions. Any additional terms, conditions and/or prices are rejected by Seller.

These terms and conditions may be modified, cancelled or rescinded only by a written agreement of both parties executed by their duly authorized agents.

USE ONLY GENUINE EDCO PARTS & ACCESSORIES
For your own safety, the safety of others and the life of your machine.

Equipment Development Company, Inc.

