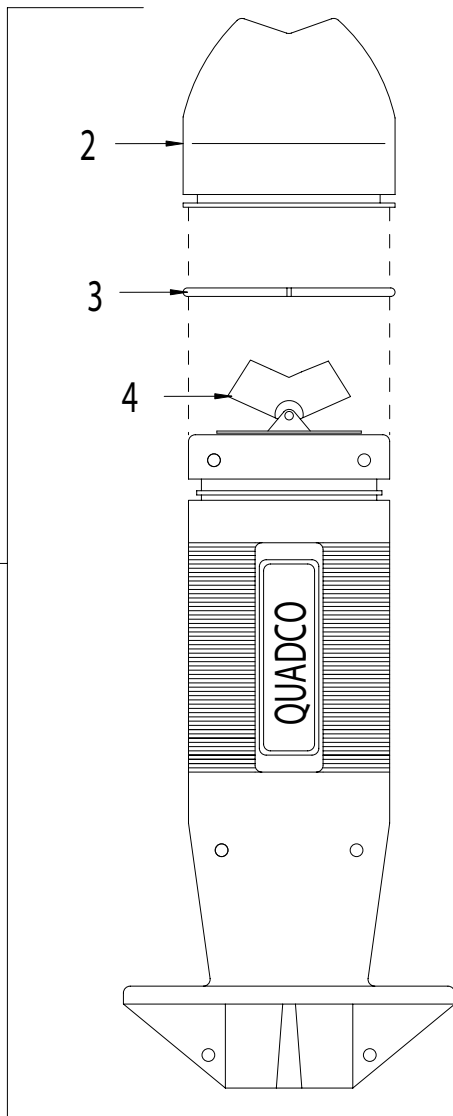
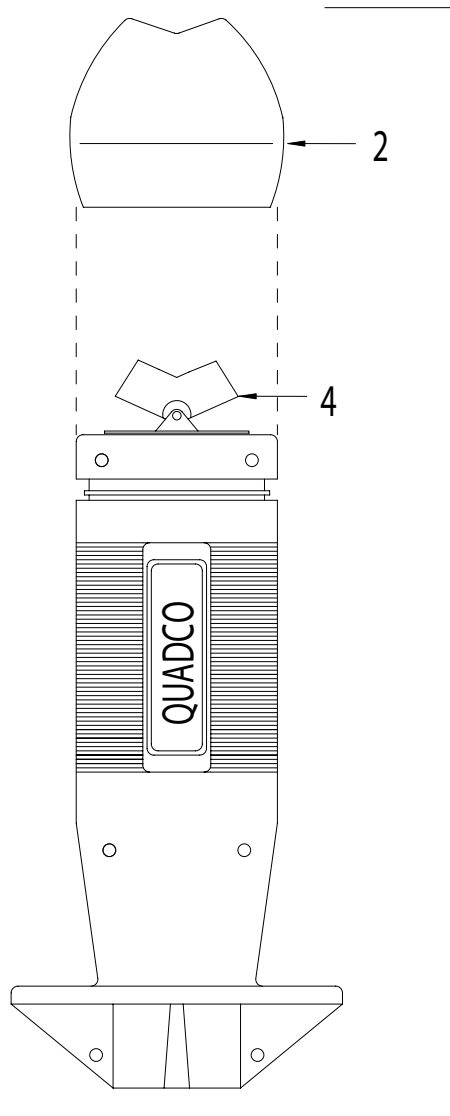


**RAISE/LOWER SWITCH RUBBER CAP CHANGE
FOR SS-35 AND SS-65 STREET SAWS**

OLD STYLE QUADCO GRIP



NEW STYLE QUADCO GRIP



***Note:**

The new style Quadco Grips no longer require a Holder Spring (Item 3) to retain the Rubber Cap (Item 2) in place. The new Caps are made of a heavier rubber material and have a molded rubber flange that fits tightly in the groove of the Quadco Grip. This is interchangeable on all older style Grips.

| ITEM | PART# | DESCRIPTION | QTY. |
|---------------------------|-------|---|------|
| 1 | 50610 | GRIP W/ ROCKER SWITCH, QUADCO G301 | 1 |
| <i>REPLACEMENT PARTS:</i> | | | |
| 2 | 50615 | CAP (RUBBER BOOT), "QUADCO" GRIP | 1 |
| 3 | 50616 | CAP (RUBBER BOOT) HOLDER SPRING ~DISCONTINUED~ | 1 |
| 4 | 50614 | SWITCH, ROCKER | 1 |



100 Thomas Johnson Drive, Frederick, MD 21702-4600 USA
 Phone (301) 663-1600 • 1-800-638-3326
 Fax (301) 663-1607 • 1-800-447-3326
 Website: www.edcoinc.com • Email: sales@edcoinc.com

Printed in USA
 ©2004