

# DIESEL POWERED PLUNGE CUT SAW PARTS LIST MANUAL



## Model SS65PC-57D PART NO. 33500PC



100 Thomas Johnson Drive, Frederick, MD 21702-4600 USA  
Phone (301) 663-1600 • 1-800-638-3326  
Fax (301) 663-1607 • 1-800-447-3326  
Website: [www.edcoinc.com](http://www.edcoinc.com) • Email: [sales@edcoinc.com](mailto:sales@edcoinc.com)

Printed in USA  
©2004

READ AND UNDERSTAND THE OPERATORS INSTRUCTION MANUAL THOROUGHLY BEFORE ATTEMPTING TO OPERATE THIS EQUIPMENT. Death or serious injury could occur if this machine is used improperly.



## SAFETY MESSAGES



The safety instructions are preceded by a graphic alert message of DANGER, WARNING, or CAUTION.



Indicates an imminent hazard which, if not avoided, will result in death or serious injury.



Indicates an imminent hazard which, if not avoided, can result in death or serious injury.



Indicates hazards which, if not avoided, could result in serious injury and or damage to the equipment.

## GASOLINE

Powered Equipment



- Do not operate gasoline powered equipment without adequate ventilation. Carbon monoxide is an invisible, odorless gas that can kill.

## ELECTRICAL

Powered Equipment



- ELECTRICAL HAZARD** - Be sure equipment is properly grounded. Failure to comply could kill or result in serious injury.



The engine exhaust from this product contains chemicals known to the State of California to cause cancer, birth defects or other reproductive harm.

## GENERAL INSTRUCTIONS



- You must read and understand the operators instruction manual and all other manuals associated with this machine. For your safety and the safety of others around you, it is extremely important to fully understand how to operate this machine in the way it was intended. Different model machines or older/newer versions of the same model may have different parts and controls that you need to understand. If instructions are not readable or available DO NOT USE this machine and contact the factory for a replacement Manual.
- You must be able to physically handle the bulk weight and power of this machine. If not properly controlled this machine can cause death or serious injury.
- Do not operate this machine in an impaired mental state. You must be able to exercise good judgement and reactions to maintain a safe working environment.
- This is a "one person" machine which means only one operator can be operating the machine at any one time. For the safety of others, maintain a safe operating distance to other personnel. Your work area should be defined and appropriately marked so bystanders and coworkers do not stand or walk near this machine and end up seriously injured by flying debris or exposing them to harmful noise or dust.
- This equipment is for Commercial use. Although this is a "one person" machine your work team should understand how to shut this machine off and quickly get medical help if an accident strikes the operator.
- Keep all guards in place during operation. The guards are to provide protection from inadvertent contact with dangerous moving parts, pinch points, or hot surfaces.
- Wear appropriate Personal Protective Equipment (PPE) including safety glasses, safety boots, work gloves, respiratory protection,

- hearing protection, and head protection. Do not wear loose clothing that can get tangled in moving parts. Failure to do so could result in dismemberment or death. **Wear an approved respirator when removing hazardous materials or when grinding/cutting dry materials. Some dust particles such as concrete dust can contain silicate particles which can cause silicosis (a very serious lung disease). Contact NIOSH or OSHA for further details. When wet grinding/cutting, avoid contact with the concrete/asphalt slurry which can cause serious skin irritations.**
- You must maintain this machine per the maintenance schedule in the operator manual. Remember before adjusting, servicing, or fueling this machine, disconnect the source of power to the machine by disconnecting the spark plug (Gas models), or by unplugging the electrical power cord (electric models) or air hose (Pneumatic models) AT THE MACHINE so you can assure yourself it remains unplugged while you are working on it. Do not modify this machine. Use only genuine EDCO parts and accessories. Repairs and service should be performed by approved EDCO dealers or authorized technicians.
- You should look carefully around the area before you begin work so you can identify potential hazards such as deck inserts, pipes, columns, openings, electrical cords or outlets, or any other objects protruding from the slab surface.
- This machine has no brain so you must use your own. There is no substitute for safety. The safety decals on the machine are to serve as a reminder for information you must already know before you begin using this machine. Take a moment to reread the safety decals each time you use the machine. If your machine is missing any decals, contact the factory for a replacement (EDCO 1-800-638-3326).

# PARTS LIST MANUAL

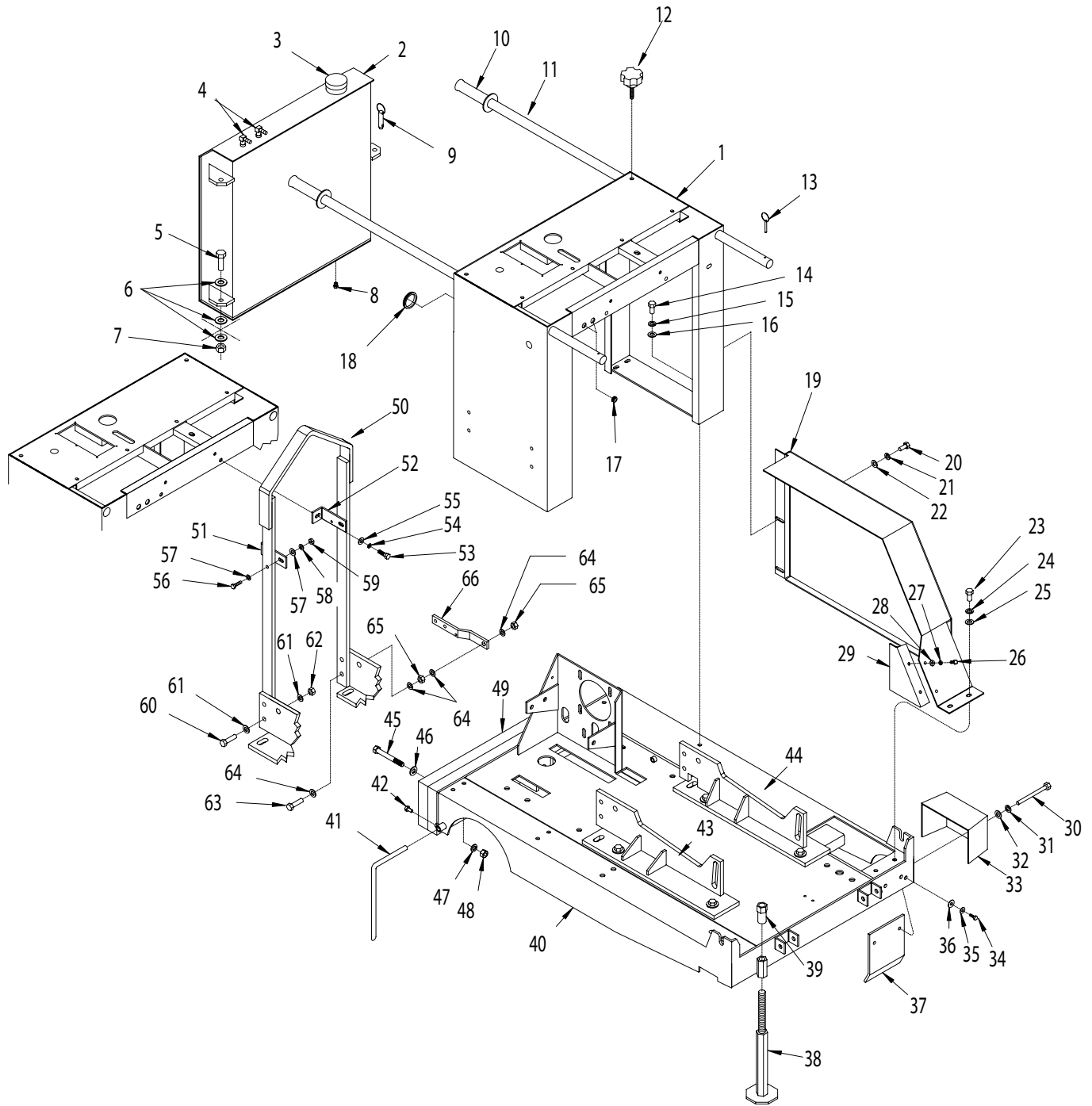
## MODEL SS65PC-57D

Section	Page Number
Safety Messages / General Instructions .....	2
How To Order Replacement Parts .....	3
Illustration 1 : Frame Assembly .....	4,5
Illustration 2 : Lifting Assembly .....	6,7
Illustration 3 : Water Pump Assembly .....	8,9
Illustration 4 : Guide Bar Assembly .....	10
Illustration 5 : Blade Depth Gauge Assembly .....	11
Illustration 6 : Arbor Assembly .....	12
Illustration 7 : Throttle & Oil Drain Grouping .....	13
Illustration 8 : Transmission Assembly .....	14,15
Illustration 9 : Clutch & Rear Axle Assembly .....	16,17
Illustration 10 : Engine Grouping .....	18,19
Illustration 11 : Engine Mount Grouping .....	20,21
Illustration 12 : Belt Drive Grouping .....	22,23
Illustration 13 : Instrument Panel Grouping .....	24,25
Illustration 14 : Exhaust Grouping .....	26
Illustration 15 : Wiring Diagram .....	27
Limited Equipment Warranty .....	back cover

<p style="text-align: center;"><b>HOW TO ORDER REPLACEMENT PARTS</b></p> <p><input type="checkbox"/> To insure product safety and reliability, always use genuine EDCO replacement parts when making repairs to the equipment.</p> <p><input type="checkbox"/> When calling for parts, specify the MODEL and SERIAL NUMBER of the machine which can be found on the NAME PLATE. Keep that information in the space provided. In addition to this information, give part number, description and quantity as listed on the parts list to your parts representative.</p> <p><input type="checkbox"/> Please note: Due to improvements and changes in the equipment, the illustrations shown may be different than the actual machine.</p>	<p style="text-align: center;"><b>FILL IN INFORMATION BELOW</b></p> <p>Date of Purchase _____</p> <p>Name of Machine _____</p> <p>Model # _____</p> <p>Serial # _____</p> <p>Belt Size(s) _____</p> <p style="text-align: center;">Toll Free: 1-800-638-3326                  FAX: 1-800-447-3326                  email: sales@edcoinc.com                  www.edcoinc.com</p>
---	--



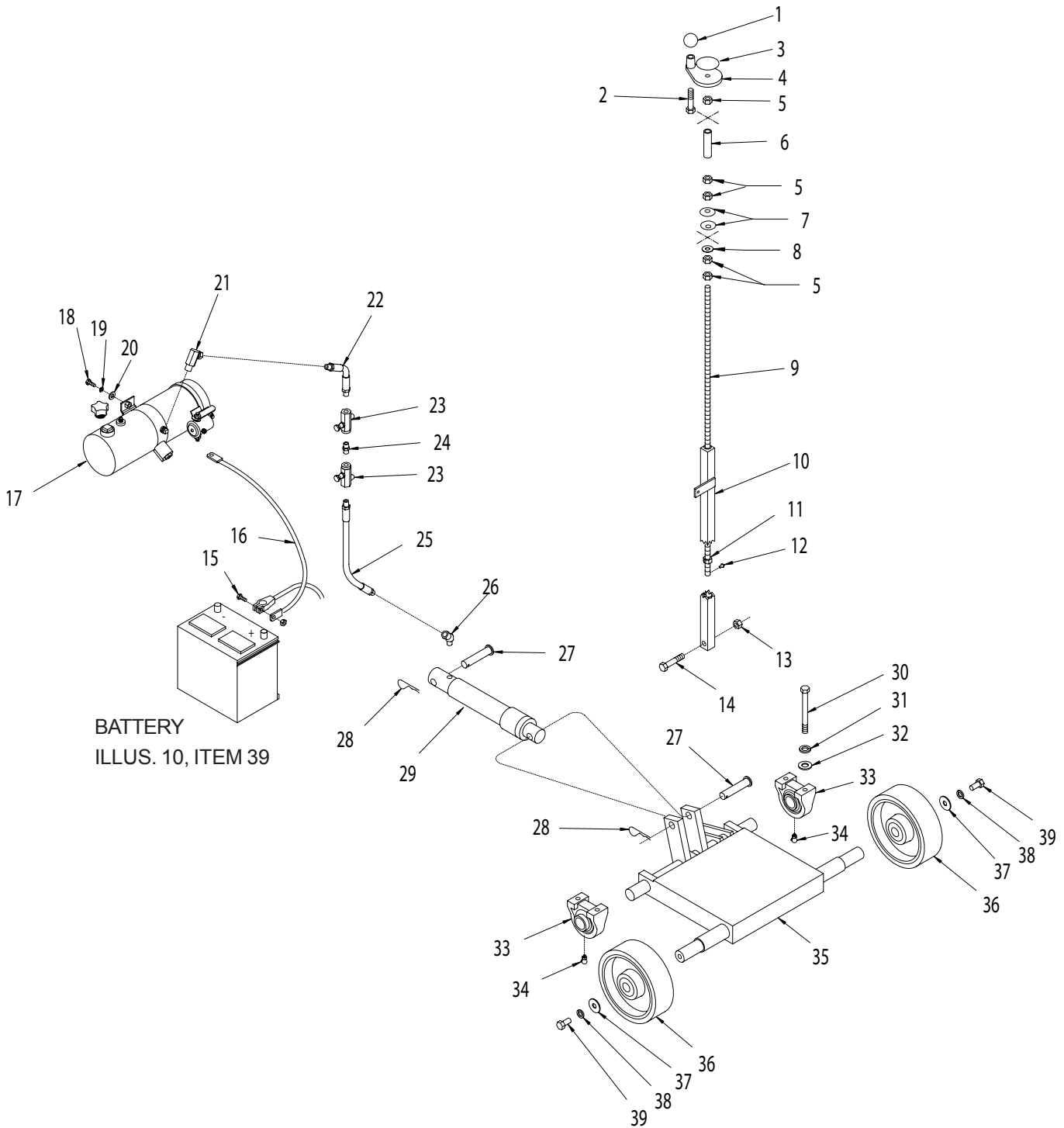
ILLUSTRATION 1 : FRAME ASSEMBLY



PARTS LISTING - ILLUSTRATION 1 : FRAME ASSEMBLY							
ITEM#	PART#	DESCRIPTION	QTY.	ITEM#	PART #	DESCRIPTION	QTY.
1	57439	CONSOLE	1	35	10811	WASHER, LOCK 3/8	2
2	57004	TANK, FUEL 9.75 GAL.	1	36	10025	WASHER, FLAT 3/8	2
3	61056	CAP, FUEL TANK	1	37	57105	GUARD, LOWER PULLEY	1
4	57005	TUBE, FUEL PICK-UP/RETURN 21-3/4"	2	38	57230	DEPTH STOP	1
5	10308	SCREW, CAP 1/2-20x1-1/2	2	39	57231	DEPTH STOP LOCKING NUT	1
6	10312	WASHER, FLAT 1/2	6	40	57101	MAIN FRAME	1
7	10205	NUT, LOCK 1/2-20	2	41	51011	GUIDE POINTER, REAR	1
8	11650	PIPE PLUG 1/8 NPT (BRASS)	1	42	10834	SCREW, CAP 1/4-20x1/2	2
9	10125	PIN, DETENT RING 1/2x1-1/2 E.L.	1	43	57275	MOUNT, ENGINE MOUNT LS (SEE ILLUSTRATION #11)	1
10	61108	GRIP, HAND 1" MODEL SX	2	44	57274	MOUNT, ENGINE MOUNT RS (SEE ILLUSTRATION #11)	1
11	57490	HANDLE BAR 46"	2	45	81001	SCREW, CAP 1/2-13 X 4	3
12	51230	KNOB, STAR CLAMPING 3/8-16x1" STUD	2	46	10312	WASHER, FLAT 1/2	3
13	10145	PIN, DETENT RING 3/16x1-5/16 E.L.	2	47	10045	WASHER, LOCK 1/2	3
14	10055	SCREW, CAP 3/8-16x1	8	48	10417	NUT 1/2-13	3
15	10811	WASHER, LOCK 3/8	8	49	57210	WEIGHT, 75 LB.	2
16	10025	WASHER, FLAT 3/8	8	50	57277	BAIL, LIFTING	1
17	57148	GROMMET 3/8IDx1/8GRV.x5/8 GD	2	51	57278	RIGHT BRACE, LIFTING BAIL	1
18	51253	GROMMET 1-45/64IDx1/8GRV.x2GD	1	52	57279	LEFT BRACE, LIFTING BAIL	1
19	57425	COVER, BELT	1	53	10907	SCREW, CAP 3/8-16x3/4	2
20	10053	SCREW, CAP 5/16-18x3/4	3	54	10025	WASHER, FLAT 3/8	4
21	10801	WASHER, LOCK 5/16	3	55	10811	WASHER, LOCK 3/8	2
22	10213	WASHER, FLAT 5/16	3	56	10333	SCREW, CAP 3/8-16x1-1/4	2
23	10907	SCREW, CAP 3/8-16x3/4	2	57	10025	WASHER, FLAT 3/8	4
24	10811	WASHER, LOCK 3/8	2	58	10811	WASHER, LOCK 3/8	2
25	10025	WASHER, FLAT 3/8	2	59	10404	NUT 3/8-16	2
26	10018	SCREW, CAP 1/4-20x3/4	2	60	10322	SCREW, CAP 1/2-20x2	3
27	10038	WASHER, LOCK 1/4	2	61	10312	WASHER, FLAT 1/2	6
28	10602	WASHER, FLAT 1/4	2	62	10154	NUT, HEX NYLON LOCK 1/2-20	3
29	57273	GUARD, BELT COVER LOWER	1	63	10343	SCREW, CAP 1/2-20x2-1/2	1
30	10349	SCREW, CAP 3/8-16x4-1/2	1	64	10312	WASHER, FLAT 1/2	4
31	10811	WASHER, LOCK 3/8	1	65	10205	NUT, LOCK 1/2-20	2
32	10025	WASHER, FLAT 3/8	1	66	51052	IDLER ARM (ILLUS. 12, ITEM 37)	1
33	57106	COVER, ARBOR	1				
34	10055	SCREW, CAP 3/8-16x1	2				



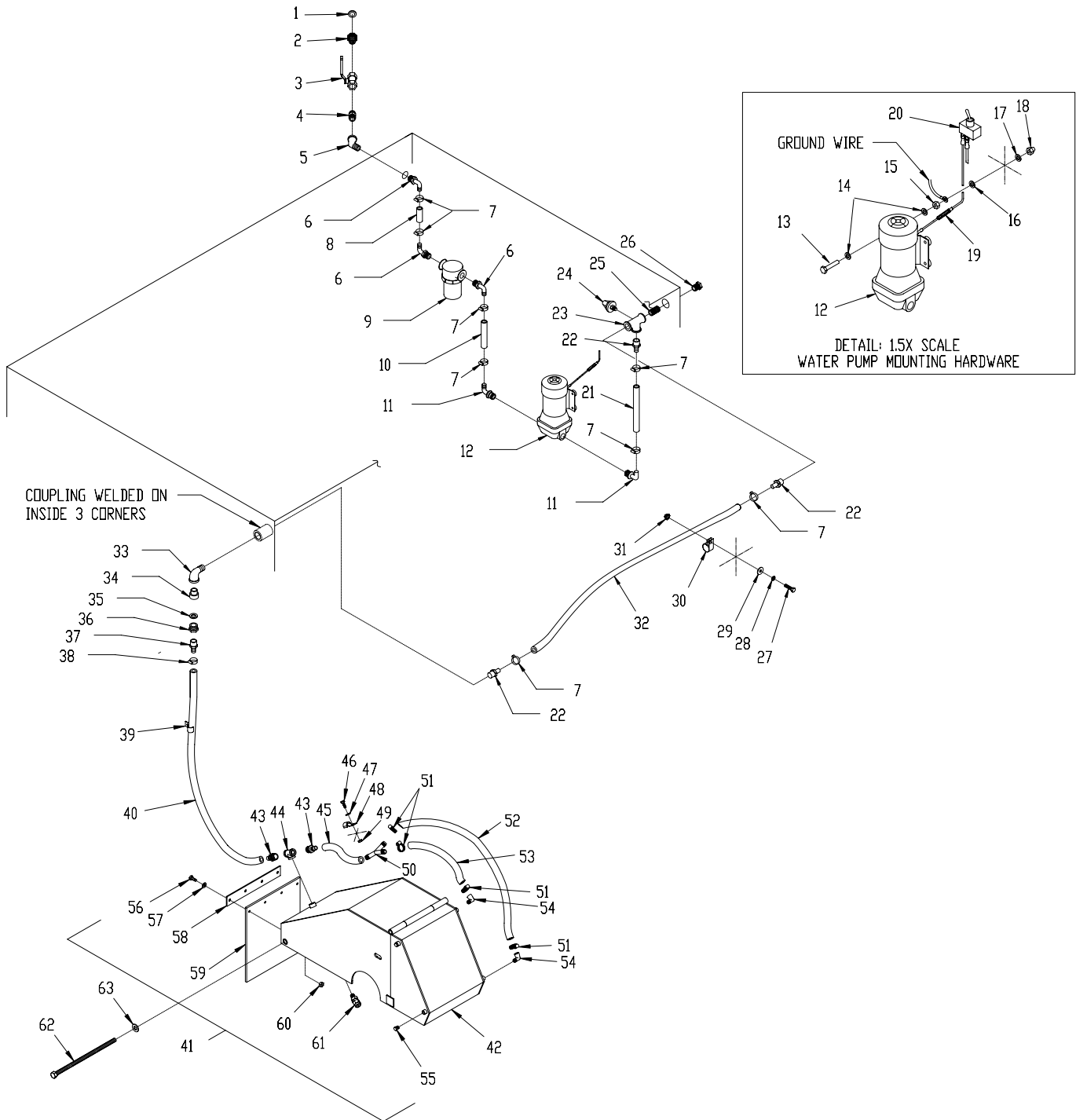
**ILLUSTRATION 2 : LIFTING ASSEMBLY**



PARTS LISTING - ILLUSTRATION 2 : LIFTING ASSEMBLY			
ITEM #	PART #	DESCRIPTION	QTY.
1	14023	KNOB, BALL 1-3/8 w/ 1/2-13 THD., BLACK	1
2	10323	SCREW, CAP 1/2-13x2-1/2	1
3	80007	DECAL, CUT CONTROL - DN/UP (SMALL)	1
4	57016	HANDWHEEL, SMALL w/ 1/2-13 THD.	1
5	10417	NUT 1/2-13	5
6	57164	SPACER, DEPTH CONTROL LINKAGE 3"	1
7	10426	WASHER, BELLEVILLE 1/2IDx3/64THK	2
8	10312	WASHER, FLAT 1/2	1
9	57163	ROD, ALLTHREAD LINKAGE 1/2-13x26"	1
10	50412	LINKAGE LOWER TUBE	1
11	50455	NUT 1/2-13, SPECIAL	1
12	10127	SCREW, DRIVE 1/8x1/4"L	1
13	10205	NUT, LOCK 1/2-20	1
14	10343	SCREW, CAP 1/2-20x2-1/2	1
15	10342	SCREW, CAP 5/16-18x1-1/2	1
16	50117R	CABLE, EYE-EYE 4GA. X 24" (RED)	1
17	50620	PUMP, HYDRAULIC ELECTRIC, 12VDC M-319	1
18	10055	SCREW, CAP 3/8-16x1	2
19	10811	WASHER, LOCK 3/8	2
20	10025	WASHER, FLAT 3/8	2
21	10794	FITTING, SWIVEL 90D, 3/8x1/4 NPT, HYD.	1
22	57078	HOSE, HYDRAULIC 1/4 NPTx6-1/2" LOA.	1
23	61116	VALVE, FLOW CONTROL	2
24	10717	NIPPLE, HEX 1/4 NPT (BRASS)	1
25	57079	HOSE, HYDRAULIC 1/4 NPTx14-1/2" LOA.	1
26	10710	FITTING, SWIVEL 45D, 1/4 NPT, HYD.	1
27	57497	PIN, CYLINDER 3/4x4	2
28	61066	PIN, HAIR COTTER 1/2"	2
29	57495	CYLINDER, HYDRAULIC	1
30	10376	SCREW, CAP 1/2-13x5 (REAR)	2
	64071	SCREW, CAP 1/2-13x5-1/2 (FRONT)	2
31	10045	WASHER, LOCK 1/2	4
32	10312	WASHER, FLAT 1/2	4
33	50314	BEARING, BALL 1-1/4" TPB	2
34	10961	FITTING, GREASE 1/4-28x90D	2
35	57496	FORK	1
36	57026	WHEEL 8x2-1/2x1" BRG.	2
37	10433	WASHER, BELLEVILLE 1/2IDx3/32THK	2
38	10045	WASHER, LOCK 1/2	2
39	10914	SCREW, CAP 1/2-13x1	2



**ILLUSTRATION 3 : WATER PUMP & BLADE GUARD ASSEMBLY**

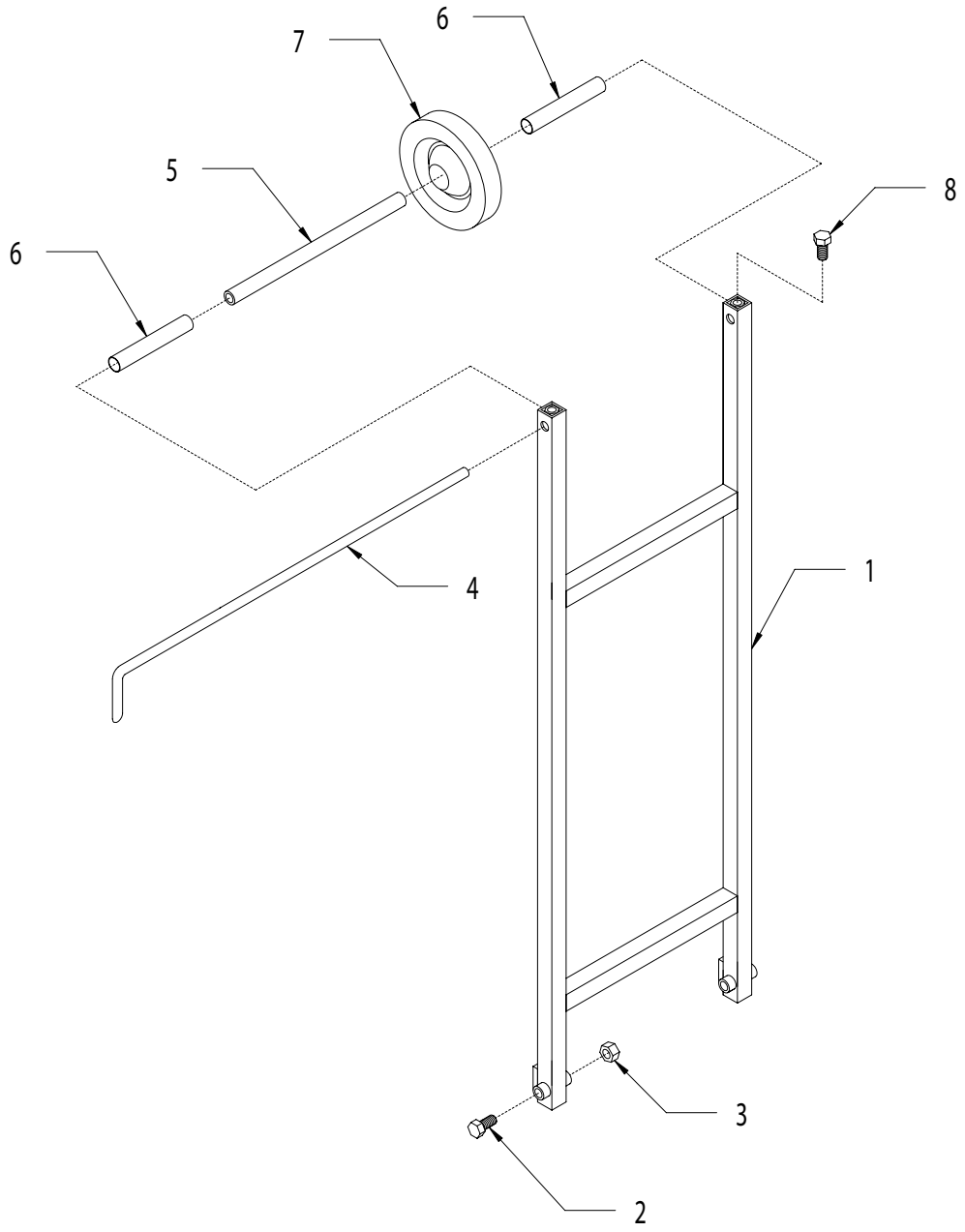




PARTS LISTING - ILLUSTRATION 3 : WATER PUMP & BLADE GUARD ASSEMBLY							
ITEM#	PART#	DESCRIPTION	QTY.	ITEM#	PART#	DESCRIPTION	QTY.
1	10070	WASHER, HOSE 3/4	1	30	11565	CLAMP, LOOM, 5/8 (SAE SIZE 10)	1
2	80021	CONN., SWIVEL FEM. 3/4 HOSEx 1/2 MPT (INCLUDES ITEM #1)	1	31	10861	NUT, KEPS 1/4-20	1
3	10711	VALVE, BALL 1/2 FPT	1	32	57185	HOSE, WATER 1/2"ID x 23"L	1
4	10679	NIPPLE, HEX 1/2 NPT (BRASS)	1	33	10724	ELBOW, STREET 1/2 NPT x 90 (BLACK)	1
5	10734	ELBOW, STREET 1/2NPT X 45, BLK.	1	34	80021	CONN., SWIVEL FEM. 3/4 HOSEx 1/2 MPT (INCLUDES ITEM #35)	1
6	50471	BARB ELBOW 90, 1/2HOSE X 1/2MPT	3	35	10070	WASHER, HOSE 3/4	1
7	50069	CLAMP, HOSE, SAE #6, ADJ. TO 13/16	8	36	10780	CONNECTOR, MALE 3/4Hx1/2 FPT	1
8	50532	HOSE, WATER 1/2" ID x 2"L	1	37	80061	BARB, PUSH-ON 1/2 HOSEx1/2 MPT	1
9	57170	STRAINER, NYLON T-STYLE 1/2 FPT	1	38	50069	CLAMP, HOSE, SAE #6, ADJ. TO 13/16	2
10	57177	HOSE, WATER 1/2"ID x 3-3/4"L	1	39	41124	CLAMP, CONDUIT 1/2"EMT (SNAP-STRAP) (MOUNTED ON BOTTOM RIGHT HAND CORNER OF BATTERY TRAY)	1
11	50469	PUMP QUAD PORT BARB ELBOW 1/2" (INCLUDED W/ PUMP)	2	40	57244	HOSE 1/2"ID x 34"L	1
12	50470	PUMP, WATER, 12VDC, FLOJET QUAD	1	41	57240A	GUARD, BLADE, ASSY. COMPLETE	1
13	10905	SCREW, CAP 1/4-20x1-1/4	4	42	57240	GUARD, BLADE 18-20"	1
14	10602	WASHER, FLAT 1/4	8	43	10680	BARB, 1/2HOSE X 1/2MPT (PLASTIC)	1
15	10015	NUT, LOCK 1/4-20	4	44	10683	PIPE TEE, FEMALE 1/2 NPT (GALV.)	1
16	10451	WASHER, LOCK, INT. TOOTH 1/4" (USED ON GROUND ONLY)	1	45	57246	HOSE 1/2"ID x 12"L	1
17	10038	WASHER, LOCK 1/4	4	46	10018	SCREW, CAP 1/4-20 X 3/4	1
18	10876	NUT, ACORN 1/4-20	4	47	10602	WASHER, FLAT 1/4 SAE	1
19	50447	FUSE & HOLDER, 10 AMP	1	48	41124	CLAMP, CONDUIT 1/2"EMT (SNAP-STRAP)	1
20	10633	SWITCH, TOGGLE SPST (SEE ILLUS. 13, ITEM 4)	1	49	10015	NUT, LOCK 1/4-20	1
21	57176	HOSE, WATER 1/2"ID x 7-1/4"L	1	50	10682	BARBED FITTING, "Y" 1/2"HOSE	1
22	10680	BARB, 1/2 HOSE x 1/2 MPT (PLASTIC)	3	51	50069	CLAMP, HOSE, SAE #6, ADJ. TO 13/16	4
23	50525	PIPE TEE, WATER PRESSURE SWITCH 1/2 NPT	1	52	57245	HOSE 1/2"ID x 24"L	1
24	51030	SWITCH, PRESSURE, MAG. IGN., N.C.	1	53	57246	HOSE 1/2"ID x 12"L	1
25	10728	PIPE NIPPLE, CLOSE 1/2 NPT, BLK.	1	54	10730	ELBOW, STREET 1/4NPT X 90 (BRASS)	2
26	50552	PIPE PLUG 1/2 NPT (BRASS)	1	55	11650	PIPE PLUG 1/8 NPT (BRASS)	2
27	10031	SCREW, CAP 1/4-20x1	1	56	10031	SCREW, CAP 1/4-20 X 1	4
28	10038	WASHER, LOCK 1/4	1	57	10602	WASHER, FLAT 1/4 SAE	4
29	10602	WASHER, FLAT 1/4	1	58	57243	BRACKET, BLADE GUARD FLAP	1
				59	57242	FLAP, BLADE GUARD	1
				60	10015	NUT, LOCK 1/4-20	4
				61	80029	NOZZLE, SPRAY 1/4NPT (BRASS)	1
				62	57241	BOLT, ALLTHREAD ROD 1/2-13 X 11	1
				63	10312	WASHER, FLAT 1/2 SAE	1

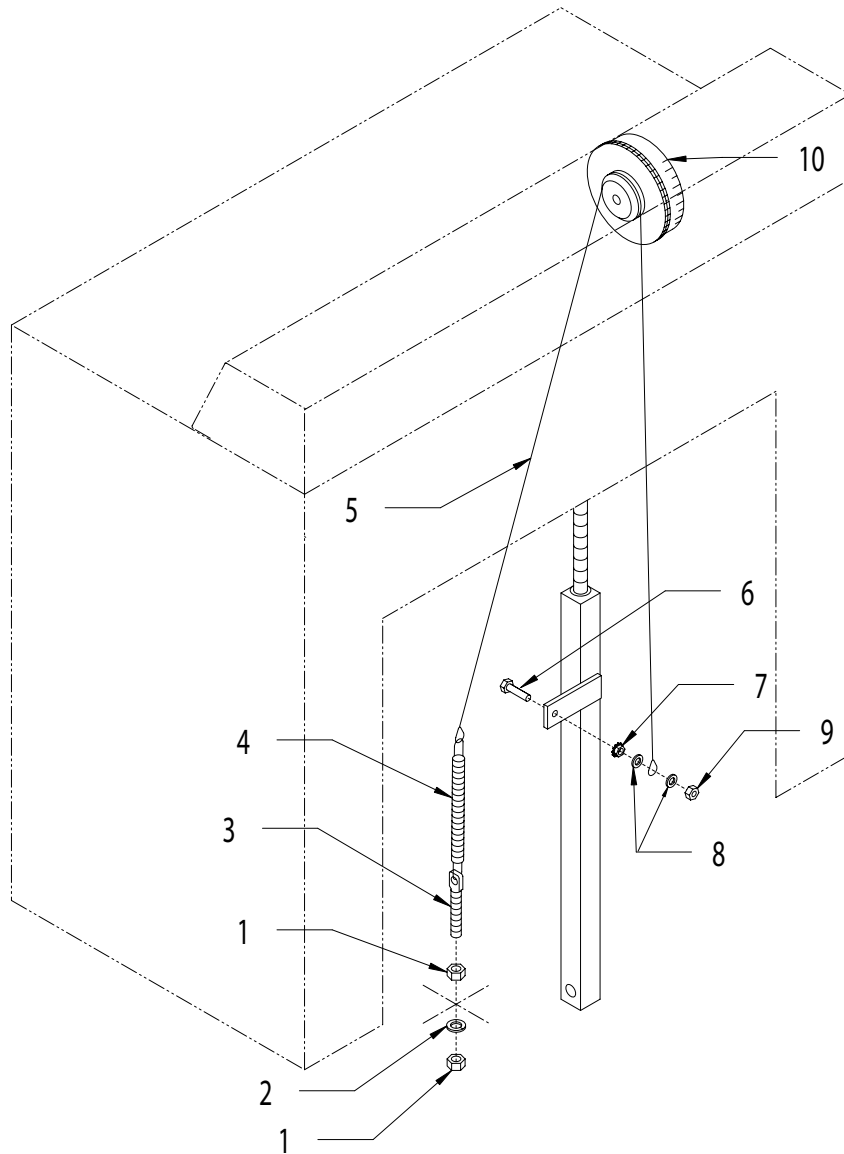


**ILLUSTRATION 4 : GUIDE BAR ASSEMBLY**



ITEM#	PART#	DESCRIPTION	QTY.
1	57119	GUIDE BAR	1
2	10202	SCREW, CAP 1/2-20x3	2
3	10205	NUT, LOCK 1/2-20	2
4	50514	POINTER, FRONT 24-1/2"	1
5	57120	AXLE TUBE, GUIDE WHEEL	1
6	57171	SPACER TUBE 5-1/16, GUIDE BAR WHEEL	2
7	50536	WHEEL 5x1-1/2x3/4" BORE	1
8	10304	SCREW, CAP 1/2-20x1	2

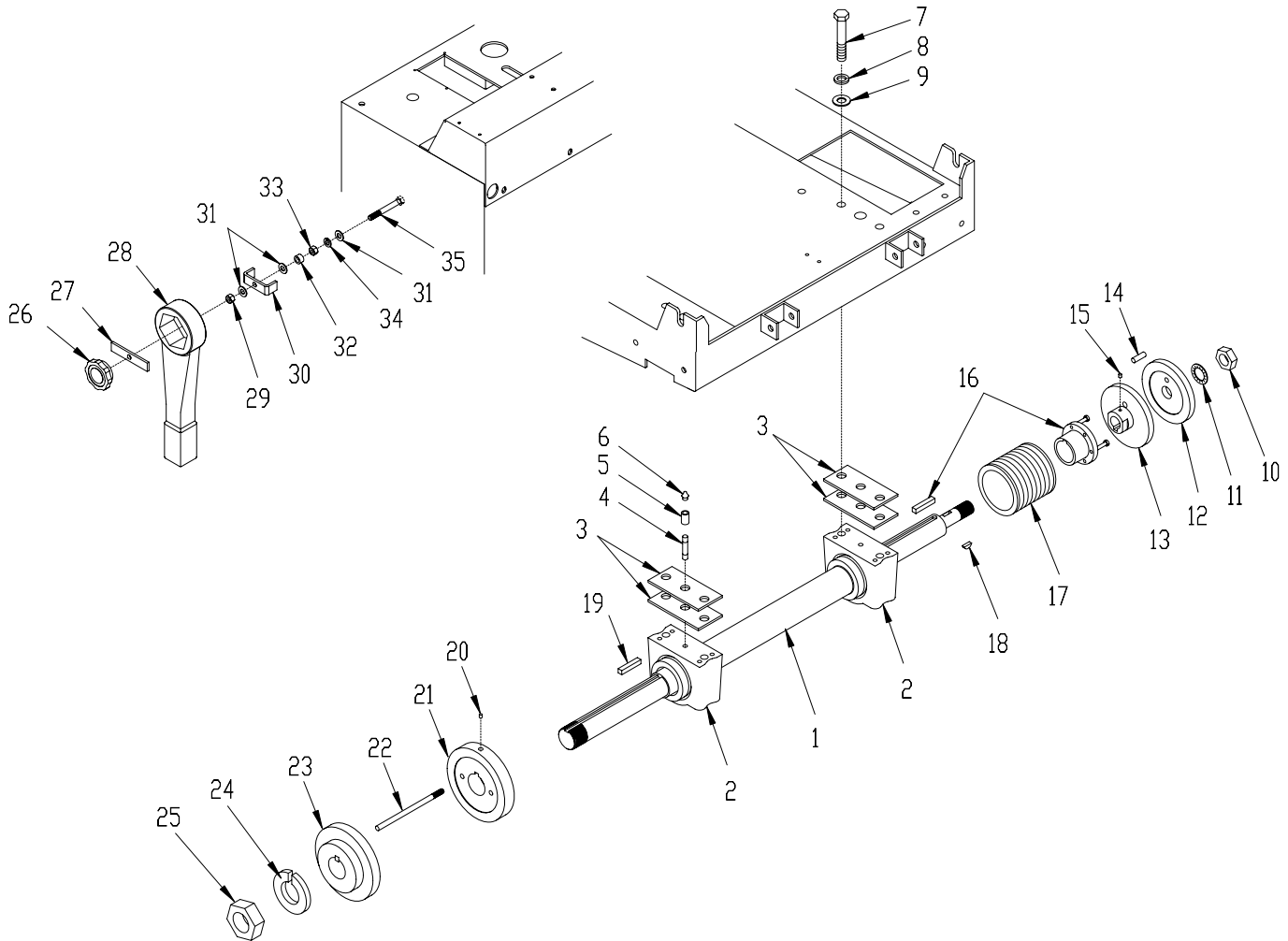


**ILLUSTRATION 5 : BLADE DEPTH GAUGE ASSEMBLY**


ITEM #	PART #	DESCRIPTION	QTY.
1	10404	NUT 3/8-16	2
2	10811	WASHER, LOCK 3/8	1
3	10845	BOLT, SPADE 3/8-16x4 1/8	1
4	3636	SPRING , EXT. 6"L ("A" ADAPTER)	1
5	51069	CABLE, DEPTH GAUGE 3/32 x 39"L	1
6	10031	SCREW, CAP 1/4-20x1	1
7	10861	NUT, KEPS 1/4-20	1
8	10602	WASHER, FLAT 1/4	2
9	10150	NUT, HEX NYLON LOCK 1/4-20	1
10	57132	WHEEL, DEPTH GAUGE (SEE ILLUS. 13, ITEM 17-23)	1

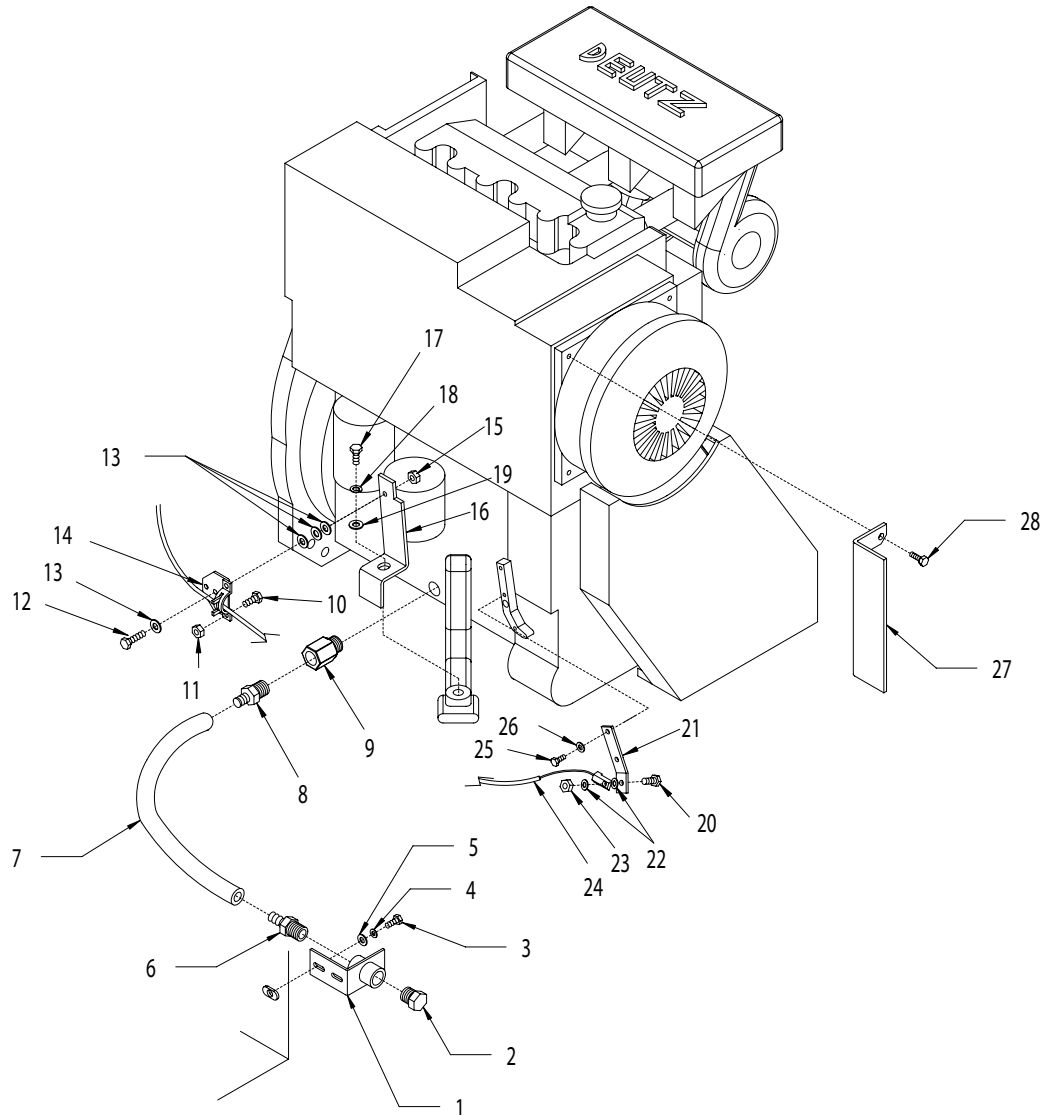


**ILLUSTRATION 6 : ARBOR ASSEMBLY**



ITEM#	PART#	DESCRIPTION	QTY.	ITEM#	PART#	DESCRIPTION	QTY.
1	57250	ARBOR SHAFT 42"L	1	19	57256	KEY 3/8SQ. x 1	1
2	57270	BEARING, ROLLER 2" TPB	2	20	10161	SCREW, SET 1/4-28x5/16	2
3	57115	SHIM, ARBOR BEARING	4	21	57251	ARBOR BACKING PLATE	1
4	10699	PIPE NIPPLE 1/8 NPT x 2" (BLACK)	2	22	57253	ARBOR BLADE PIN, 3/8 X 6-13/16	2
5	10585	PIPE COUPLING 1/8 NPT (BLACK STEEL)	2	23	57252	ARBOR BLADE CAP	1
6	10953	FITTING, GREASE 1/8NPT STRAIGHT	2	24	57264	WASHER, SPRING LOCK 1-3/4	1
7	10483	SCREW, CAP 5/8-18x3-3/4	4	25	57261	NUT, JAM 1 3/4-12	1
8	10041	WASHER, LOCK 5/8	4	26	10923	KNOB, FLUTED 3/8-16 X 2" DIA.	1
9	10073	WASHER, FLAT 5/8	4	27	57263	WRENCH PLATE, ARBOR	1
10	50019	NUT, JAM 1-14	1	28	57260	WRENCH, 2-9/16", 6-POINT BOX END	1
11	55009	WASHER, LOCK, INT. TOOTH 1"	1	29	10810	NUT, LOCK 3/8-16	1
12	50326	ARBOR BLADE CAP 5"	1	30	57262	WRENCH BRKT., ARBOR	1
13	50427	ARBOR BACKING PLATE 5"	1	31	10025	WASHER, FLAT 3/8	3
14	10129	PIN, SHEAR PROOF 3/8 X 1-1/4	1	32	10011	SPACER, STEEL 5/8OD X 3/8ID X 3/8T	1
15	10372	SCREW, SET 1/4-28 X 1/4	1	33	10404	NUT 3/8-16	1
16	57075	BUSHING, SHEAVE SK X 1-3/4" BORE	1	34	10811	WASHER, LOCK 3/8	1
17	57467	SHEAVE 4.75"OD X 9GR.3V X SK	1	35	28025	BOLT, TAP 3/8-16 X 3 (FULL THREAD)	1
18	10117	KEY, WOODRUFF 1/4 X 3/4 (#806)	1				

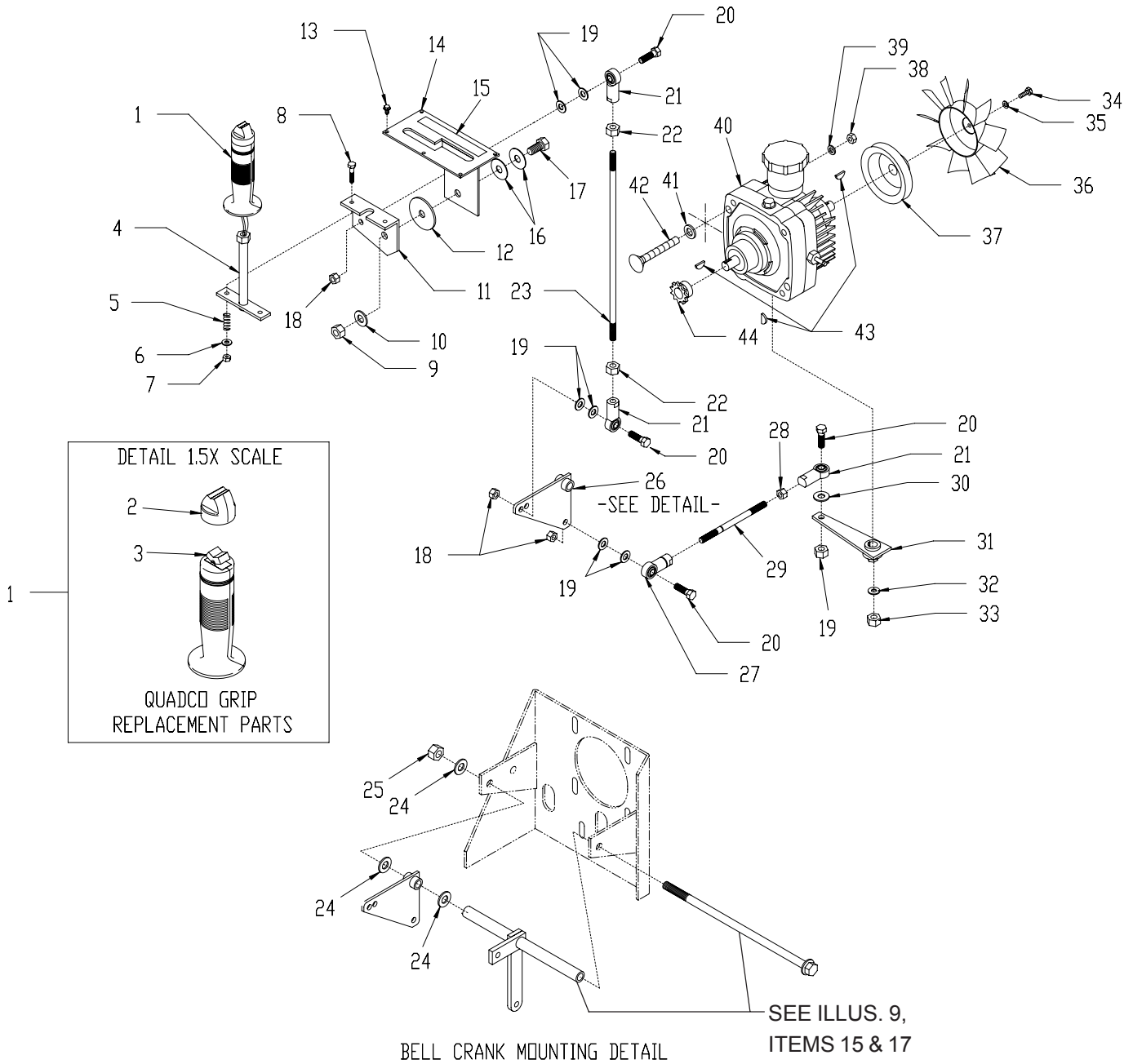


**ILLUSTRATION 7 : THROTTLE & OIL DRAIN GROUPING**


ITEM#	PART#	DESCRIPTION	QTY.	ITEM#	PART#	DESCRIPTION	QTY.
1	57159	BRACKET, OIL DRAIN	1	16	57433	BRACKET, THROTTLE CABLE	1
2	50552	PIPE PLUG 1/2 NPT (BRASS)	1	17	10499	SCREW, CAP 1/2-13x3	1
3	10018	SCREW, CAP 1/4-20x3/4	2	18	10045	WASHER, LOCK 1/2	1
4	10038	WASHER, LOCK 1/4	2	19	10312	WASHER, FLAT 1/2	1
5	10602	WASHER, FLAT 1/4	2	20	10018	SCREW, CAP 1/4-20x3/4	1
6	80061	BARB, PUSH-ON1/2 HOSEx1/2 MPT	1	21	57434	ARM, THROTTLE CABLE	1
7	80063	HOSE, PUSH-ON 1/2" IDx17"L (BLACK)	1	22	10602	WASHER, FLAT 1/4	2
8	50554	BARB, PUSH-ON1/2 HOSEx3/8 MPT	1	23	10015	NUT, LOCK 1/4-20	1
9	57443	ADAPTER, METRIC 18MMx1.5x3/8 FPT	1	24	50560	CABLE, VERNIERADJ. LOCKING CONTROL (THROTTLE CABLE, SEE ILLUS. 13, ITEM #9)	1
10	10834	SCREW, CAP 1/4-20 X 1/2	2	25	11634	SCREW, CAP M6x1.0Px20MM	2
11	10015	NUT, LOCK 1/4-20	2	26	11636	WASHER, LOCK 6MM	2
12	10018	SCREW, CAP 1/4-20 X 3/4	1	27	57444	BRACKET, HANDLE BAR STOP	1
13	10602	WASHER, FLAT 1/4	4	28	-----	SCREW (INCLUDED w/ ENGINE)	2
14	50723	MNTG. PLATE, THROTTLE CABLE OUTPUT	1				
15	10015	NUT, LOCK 1/4-20	2				



**ILLUSTRATION 8 : TRANSMISSION ASSEMBLY**



PARTS LISTING - ILLUSTRATION 8 : TRANSMISSION ASSEMBLY			
ITEM#	PART#	DESCRIPTION	QTY.
1	50610	GRIP w/ ROCKER SWITCH, QUADCO G301	1
2	50615	CAP (RUBBER BOOT) "QUADCO" GRIP	1
3	50614	SWITCH, ROCKER, C&K #7105	1
4	50608	LEVER, DRIVE	1
5	57471	SPRING, COMP. .468"OD x 1.25" FL	2
6	10602	WASHER, FLAT 1/4	2
7	10015	NUT, LOCK 1/4-20	2
8	10315	SCREW, CAP 1/4-20x1-1/2	2
9	10205	NUT, LOCK 1/2-20	1
10	10312	WASHER, FLAT 1/2	1
11	50613	PLATE, DRIVE LEVER PRESSURE	1
12	50428	WASHER, FIBER 2-1/4OD x 1/2ID x 1/8	1
13	10877	SCREW, CAP STSHW 10-24x1/2	5
14	50607	GATE, DRIVE LEVER	1
15	91144	DECAL, DRIVE CONTROL	1
16	10426	WASHER, BELLEVILLE 1/2IDx3/64THK	2
17	10321	SCREW, CAP 1/2-20x1-1/4	1
18	10004	NUT, LOCK 3/8-24	4
19	10025	WASHER, FLAT 3/8	6
20	10309	SCREW, CAP 3/8-24x1-1/4	4
21	10919	ROD END, FEMALE 3/8-24 R.H. THREAD	3
22	10014	NUT 3/8-24	2
23	57124	LINKAGE, ROD 3/8x14-5/8"L	1
24	10312	WASHER, FLAT 1/2	3
25	10417	NUT, LOCK 1/2-13	1
26	57123	BELLCRANK, DRIVE CONTROL	1
27	10919L	ROD END, FEMALE 3/8-24 L.H. THREAD	1
28	10014	NUT 3/8-24	1
29	50420	LINKAGE, ROD 3/8x5-3/4"L	1
30	10025	WASHER, FLAT 3/8	1
31	50422	TRANS. CONTROL ARM	1
32	10811	WASHER, LOCK 3/8	1
33	10404	NUT 3/8-16	1
34	10018	SCREW, CAP 1/4-20x3/4	1
35	10038	WASHER, LOCK 1/4	1
36	50266	FAN BLADE W/ PLATE 7", TRANSMISSION	1
37	50062	SHEAVE, TRANS. 4"OD x 1 GR x .671"B	1
38	10404	NUT 3/8-16	4
39	10811	WASHER, LOCK 3/8	4
40	50061	TRANSMISSION, HYDROSTATIC	1
41	10040	WASHER, GARRET 17/32"ID x 1"OD x .054" THK	4
42	10909	BOLT, CARRIAGE 3/8-16x3	4
43	50071	KEY, WOODRUFF 1/8x1/2 (#404)	3
44	57046	SPROCKET #4010 x .67" BORE	1



100 Thomas Johnson Drive, Frederick, MD 21702-4600 USA

Phone (301) 663-1600 • 1-800-638-3326

Fax (301) 663-1607 • 1-800-447-3326

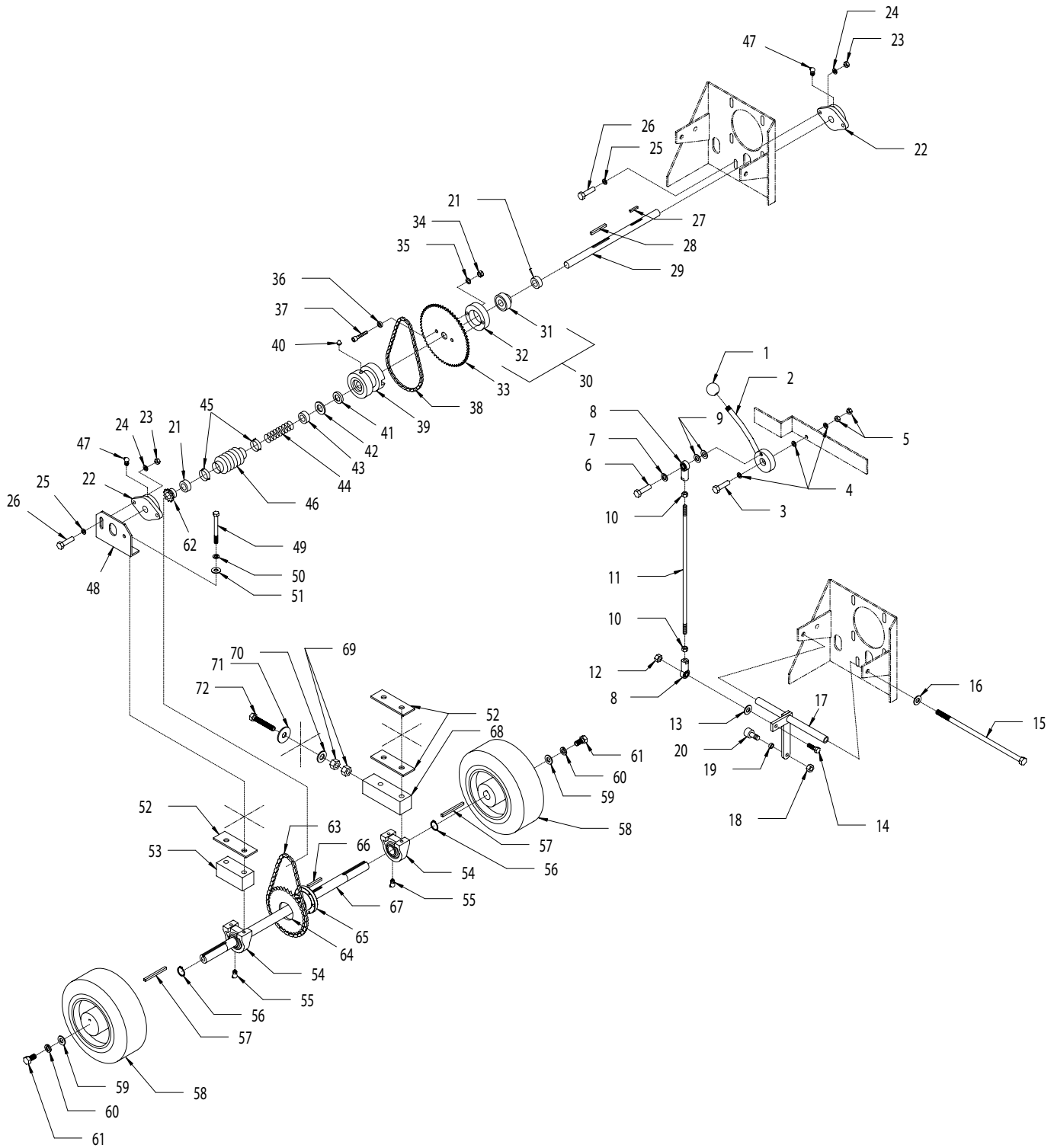
Website: [www.edcoinc.com](http://www.edcoinc.com) • Email: [sales@edcoinc.com](mailto:sales@edcoinc.com)

Printed in USA

©2004

Page 15

**ILLUSTRATION 9 : CLUTCH & REAR AXLE ASSEMBLY**

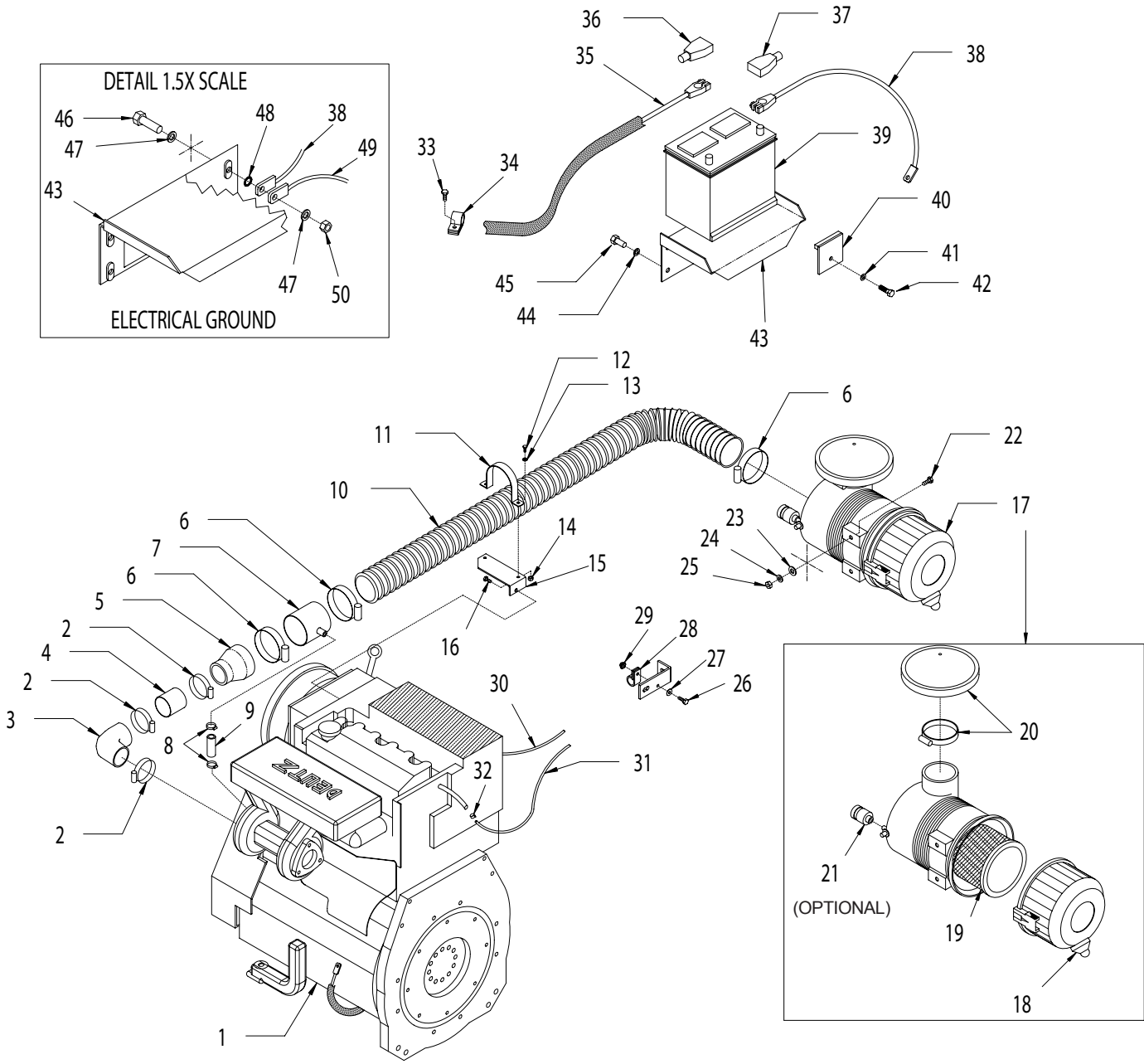




PARTS LISTING - ILLUSTRATION 9 : CLUTCH & REAR AXLE ASSEMBLY							
ITEM #	PART#	DESCRIPTION	QTY.	ITEM #	PART #	DESCRIPTION	QTY.
1	14023	NOB, BALL 1-3/8 W/ 1/2-13THD., BLK.	1	35	10811	WASHER, LOCK 3/8	2
				36	10113	SPACER, STL 9/16ODx3/8IDx7/32"	2
2	50611	LEVER, CLUTCH	1	37	10354	SCREW, SKT.HD.CAP 3/8-24x1-3/4	2
3	10816	SCREW, CAP 3/8-24x1-1/2	1	38	57041	CHAIN #40 x 27" LOA.	1
4	10025	WASHER, FLAT 3/8	3	39	57042	CLUTCH, DOG BLOCK	1
5	10004	NUT, LOCK 3/8-24	2	40	10808	FITTING, GREASE 1/4-28 STRAIGHT	1
6	10309	SCREW, CAP 3/8-24x1-1/4	1	41	3695	SEAL, OIL .750x1.375x.250	1
7	10811	WASHER, LOCK 3/8	1	42	10009	WASHER, FLAT 3/4	1
8	10919	ROD END, FEM. 3/8-24 R.H. THD.	2	43	57044	CLUTCH SPRING CUP	1
9	10025	WASHER, FLAT 3/8	2	44	10922	SPRING, COMP. 1"ODx3.75" FL	1
10	10014	NUT 3/8-24	2	45	10768	CLAMP, HOSE, SAE #16, ADJ. TO 1-1/2"	2
11	50612	LINKAGE, ROD 3/8x17"L	1	46	10930	BELLOWS 1-1/4IDx2-3/8ELx1-3/4RL	1
12	10004	NUT, LOCK 3/8-24	1	47	10960	FITTING, GREASE 1/4-28x45D	2
13	10025	WASHER, FLAT 3/8	1	48	57116	MOUNT, JACKSHAFT BEARING	1
14	10309	SCREW, CAP 3/8-24x1-1/4	1	49	10376	SCREW, CAP 1/2-13x5	4
15	10355	SCREW, CAP 1/2-13x11	1	50	10045	WASHER, LOCK 1/2	4
16	10312	WASHER, FLAT 1/2	1	51	10312	WASHER, FLAT 1/2	4
17	57032	BELL CRANK, CLUTCH	1	52	57114	SHIM, AXLE BEARING	3
18	10004	NUT, LOCK 3/8-24	1	53	57112	SPACER, BEARING 4-1/2"	1
19	10113	SPACER, STL 9/16ODx3/8IDx7/32"	1	54	50314	BEARING, BALL 1-1/4"TPB	2
20	10924	CAM FOLLOWER BEARING 3/4" x 3/8-24 THREAD	1	55	10960	FITTING, GREASE 1/4-28x45D	2
				56	10906	RETAINING RING, EXT. 1"	2
21	10428	COLLAR, LOCKING 3/4"ID	2	57	10132	KEY 1/4 SQ.x3	2
22	50049	BEARING, BALL 3/4" 2-HOLE FLANGE	2	58	57034	WHEEL 10x3x1-1/4" BORE	2
				59	10433	WASHER, BELLEVILLE 1/2IDx3/32THK	2
23	10014	NUT 3/8-24	4	60	10045	WASHER, LOCK 1/2	2
24	10811	WASHER, LOCK 3/8	4	61	10914	SCREW, CAP 1/2-13x1	2
25	10025	WASHER, FLAT 3/8	4	62	50436	SPROCKET #40B10x3/4" BORE	1
26	10309	SCREW, CAP 3/8-24x1-1/4	4	63	57282	CHAIN #40 x 29"+ OL + CL	1
27	10016	KEY 3/16 SQ.x1-1/2	1	64	57281	SPROCKET #40SDS42	1
28	10307	KEY 1/4 SQ.x2-1/4	1	65	10064	BUSHING, SHEAVE SDS X 1-1/4"BORE	1
29	57045	JACKSHAFT, CLUTCH 3/4x14"L	1	66	10071	KEY 1/4 SQ.x2-1/2	1
30	57038A	BEARING & CARRIER ASSY., CLUTCH	1	67	57129	AXLE SHAFT 1-1/4"DIA.x29"L	1
				68	57113	SPACER, BEARING 6"	1
31	57038	BEARING, BALL 3/4"IDx1.8504" OD	1	69	10417	NUT 1/2-13	2
32	57039	CARRIER, CLUTCH BEARING	1	70	10312	WASHER, FLAT 1/2	1
33	57040	SPROCKET, CLUTCH #40A48x13/16" BORE	1	71	10433	WASHER, BELLEVILLE 1/2IDx3/32THK	1
				72	10392	BOLT, TAP 1/2-13 X 4 (FULL THREAD)	1
34	10014	NUT 3/8-24	2				



**ILLUSTRATION 10 : ENGINE GROUPING**

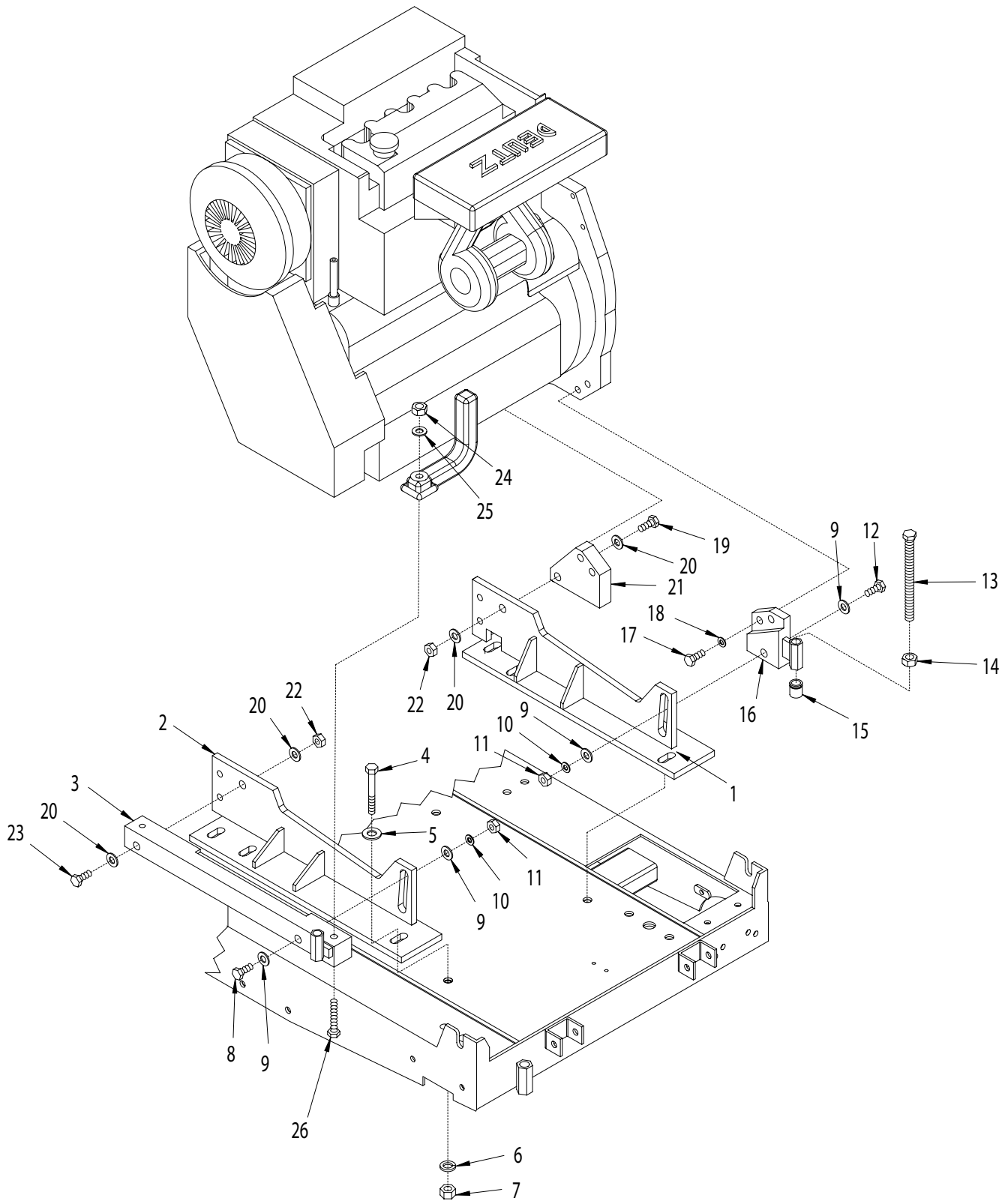


**PARTS LISTING - ILLUSTRATION 10 : ENGINE GROUPING**

ITEM#	PART#	DESCRIPTION	QTY.	ITEM#	PART#	DESCRIPTION	QTY.
1	15049	ENGINE, DEUTZ 57 HP TIER I TURBO CHARGED	1	26	10018	SCREW, CAP 1/4-20x3/4	2
2	10745	CLAMP, HOSE, SAE #36, ADJ. TO 2-3/4	3	27	10602	WASHER, FLAT 1/4	2
3	10638	HOSE ELBOW, REDUCER 2" TO 1-3/4"	1	28	11565	CLAMP, LOOM, 5/8" (SAE SIZE 10)	2
4	57461	PIPE, 2"ODx2"L, AIR CLEANER	1	29	10861	NUT, KEPS 1/4-20	2
5	15153	ADAPTOR, RUBBER, 3" X 2"	1	30	57477	HOSE, FUEL LINE 1/4"IDx40"L	1
6	10849	CLAMP, HOSE, SAE #52, ADJ. TO 3-3/4	3	31	57478	HOSE, FUEL RETURN LINE 1/4"IDx50"L	1
7	57438	TUBE, CRANK CASE BREATHER	1	32	10762	CLAMP, HOSE SPRING-TYPE 3/8" GREEN	4
8	50069	CLAMP, HOSE, SAE #6, ADJ. TO 13/16	2	33	10846	SCREW, CAP STSHW 1/4-20 X 1/2	1
9	57475	HOSE, CRANK CASE BREATHER 1/2"IDx2"L	1	34	41124	CLAMP, CONDUIT 1/2"EMT (SNAP-STRAP)	1
10	57283	HOSE, AIR CLEANER 3"IDx30"L	1	35	57055	CABLE, BATTERY 4 GA. x 53" (RED)	1
11	57469	HANGER, HOSE 3.25"	1	36	10928	INSULATOR, BAT.TERM.POST (RED)	1
12	10834	SCREW, CAP 1/4-20x1/2	2	37	10929	INSULATOR, BAT.TERM.POST (BLACK)	1
13	10602	WASHER, FLAT 1/4	2	38	50323B	CABLE, BATTERY 4 GA. x 12" (BLACK)	1
14	10015	NUT, LOCK 1/4-20	2	39	57416	BATTERY 12V/880 CCA ( POST TERM.)	1
15	57454	BRACKET, AIR CLEANER HOSE	1	40	57418	CLAMP, BATTERY HOLD DOWN	1
16	-----	SCREW (INCLUDED w/ ENGINE)	1	41	10811	WASHER, LOCK 3/8	1
17	15150	AIR CLEANER ASSY., 3-FW-E1	1	42	10055	SCREW, CAP 3/8-16x1	1
18	15144	AIR CLEANER DUCKBILL DRAIN	1	43	57417	TRAY, BATTERY	1
19	15151	ELEMENT, AIR FILTER PRIMARY	1	44	10811	WASHER, LOCK 3/8	3
20	15152	CAP, RAIN, AIR CLEANER (INCLUDES CLAMP)	1	45	10907	SCREW, CAP 3/8-16x3/4	3
21	15154	AIR CLEANER DUST LOAD INDICATOR (OPT.)	1	46	10333	SCREW, CAP 3/8-16x1-1/4	1
22	10053	SCREW, CAP 5/16-18x3/4	2	47	10811	WASHER, LOCK 3/8	2
23	10213	WASHER, FLAT 5/16	2	48	10453	WASHER, LOCK, INT. TOOTH 3/8	1
24	10801	WASHER, LOCK 5/16	2	49	57456	CABLE, EYE-EYE 4GA. X 48" (BLACK)	1
25	10054	NUT 5/16-18	2	50	10404	NUT 3/8-16	1



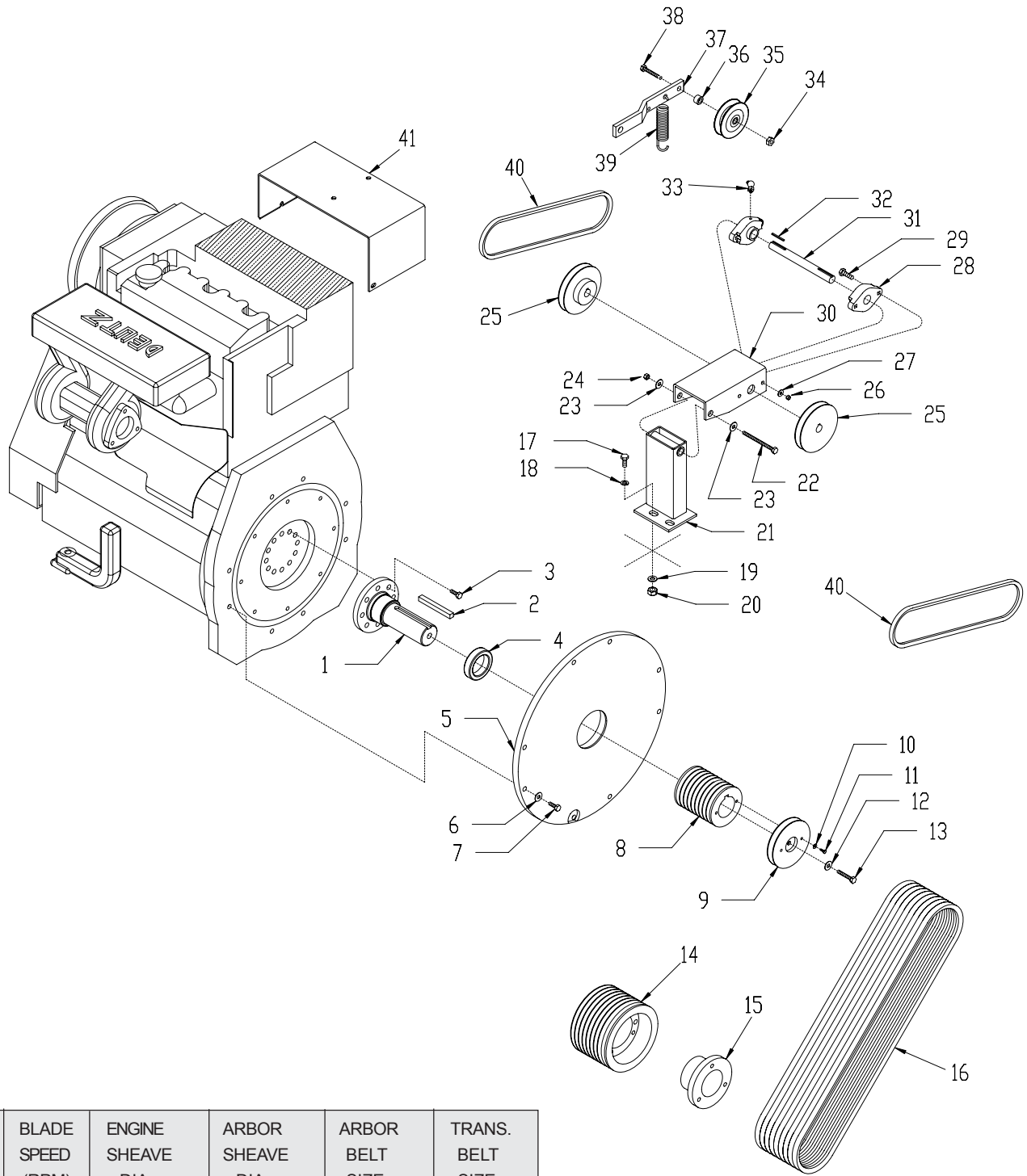
**ILLUSTRATION 11: ENGINE MOUNT GROUPING**



PARTS LISTING - ILLUSTRATION 11 : ENGINE MOUNT GROUPING			
ITEM #	PART #	DESCRIPTION	QTY.
1	57275	MOUNT, ENGINE MOUNT LS	1
2	57274	MOUNT, ENGINE MOUNT RS	1
3	57276	MOUNT BAR, ENGINE RIGHT	1
4	11628	SCREW, CAP 5/8-11x4	4
5	10073	WASHER, FLAT 5/8	4
6	10041	WASHER, LOCK 5/8	4
7	10046	NUT 5/8-11	4
8	10359	SCREW, CAP 5/8-11x3-1/4	1
9	10073	WASHER, FLAT 5/8	4
10	10041	WASHER, LOCK 5/8	2
11	10046	NUT 5/8-11	2
12	10326	SCREW, CAP 5/8-11x3	1
13	57414	BOLT, TAP 5/8-11 X 6 FULL THD.	2
14	10046	NUT 5/8-11	2
15	57413	TOGGLE PAD 1" DIA.x1" HIGHx5/8-11	2
16	57422	MOUNT, ENGINE LEFT FRONT	1
17	11635	SCREW, CAP M14 X 2.0P X 50MM	4
18	11632	WASHER, LOCK 14MM	4
19	10326	SCREW, CAP 5/8-11x3	1
20	10073	WASHER, FLAT 5/8	4
21	57423	MOUNT, ENGINE LEFT REAR	1
22	10809	NUT, LOCK 5/8-11	2
23	10359	SCREW, CAP 5/8-11x3-1/4	1
24	10155	NUT, HEX NYLON LOCK 1/2-13	1
25	10312	WASHER, FLAT 1/2	1
26	10386	SCREW, CAP 1/2-13x4-1/2	1



**ILLUSTRATION 12 : BELT DRIVE GROUPING**



BLADE SIZE	BLADE SPEED (RPM)	ENGINE SHEAVE DIA. (ITEM #8)	ARBOR SHEAVE DIA. (ITEM #14)	ARBOR BELT SIZE (ITEM #16)	TRANS. BELT SIZE (ITEM #40)
18-20"	2358	4.0"x9 GR.	4.75"x9 GR.	3VX-560	AX-35



PARTS LISTING - ILLUSTRATION 12 : BELT DRIVE GROUPING			
ITEM #	PART #	DESCRIPTION	QTY.
1	57407	SHAFT, STUB 1-3/4"	1
2	57441	KEY 3/8 SQ.x3-3/8	1
3	11633	SCREW, CAP M10x1.0Px50mm	8
4	57409	BEARING, RADIAL BALL 55x90x18MM	1
5	57408	ADAPTER PLATE 16", HOUSING	1
6	11631	WASHER, LOCK 10MM	8
7		SCREW, CAP	
	77267	M10x1.5Px35MM	7
	77266	M10X1.5Px30MM	1
8	57465	SHEAVE, ENGINE 4.0"OD X 9GR.3V X 1.75"B	1
9	57468	SHEAVE 4.25"OD X 1GR.AX 1/2"B	1
10	10038	WASHER, LOCK 1/4	2
11	10905	SCREW, CAP 1/4-20x1-1/4	2
12	10045	WASHER, LOCK 1/2	1
13	10321	SCREW, CAP 1/2-20x1-1/4	1
14	57467	SHEAVE 4.75" ODx9GR.3VxSK (REQUIRES BUSHING, ITEM 15)	1
15	57075	BUSHING, SHEAVE SKx1-3/4" BORE	1
16	10246	BELT 3VX-560 COG (SINGLE)	9
17	10321	SCREW, CAP 1/2-20x1-1/4	2
18	10312	WASHER, FLAT 1/2	2
19	10045	WASHER, LOCK 1/2	2
20	10072	NUT 1/2-20	2
21	57457	MOUNT, JACKSHAFT DECK	1
22	10409	SCREW, CAP 1/2-20x4-1/2	1
23	10312	WASHER, FLAT 1/2	2
24	10154	NUT, HEX NYLON LOCK 1/2-20	1
25	57470	SHEAVE 4.0" ODx1 GR.Ax5/8" BORE	2
26	10150	NUT, HEX NYLON LOCK 1/4-20	4
27	10602	WASHER, FLAT 1/4	4
28	80009	BEARING, BALL 5/8" 2-HOLE FLANGE	2
29	10031	SCREW, CAP 1/4-20x1	4
30	57458	MOUNT, JACKSHAFT	1
31	57429	JACKSHAFT, TRANS. INPUT	1
32	10016	KEY 3/16 SQ. x 1-1/2	2
33	10960	FITTING, GREASE 1/4-28x45D	2
34	10004	NUT, LOCK 3/8-24	2
35	50115	IDLER PULLEY 3"OD X 1GR.AB X 3/8"B	1
36	10011	SPACER, STEEL 5/8OD X 3/8ID X 3/8T	2
37	51052	IDLER ARM	1
38	10030	SCREW, CAP 3/8-24x2	1
39	50074	SPRING, EXT. 1" ODx3-15/16	1
40	10283	BELTAX-35	2
41	57487	COVER, ENGINE OIL COOLER	1



100 Thomas Johnson Drive, Frederick, MD 21702-4600 USA

Phone (301) 663-1600 • 1-800-638-3326

Fax (301) 663-1607 • 1-800-447-3326

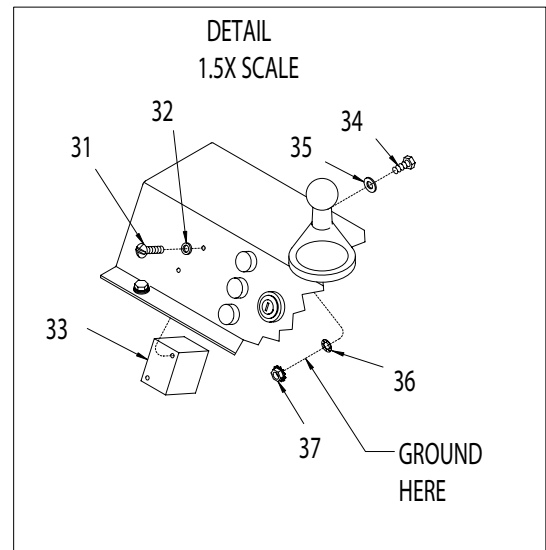
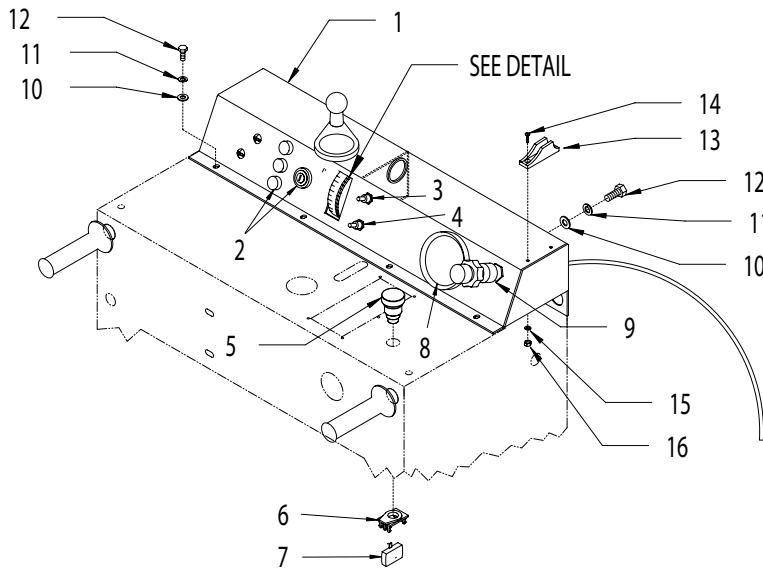
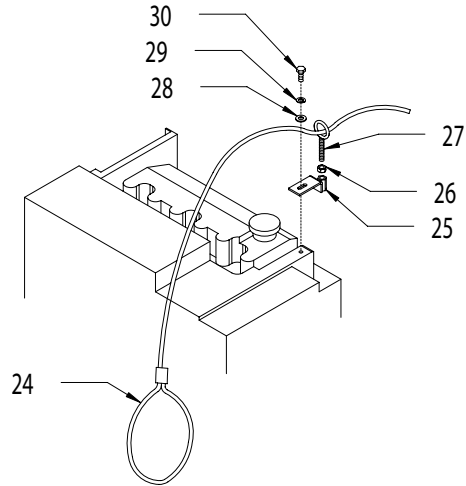
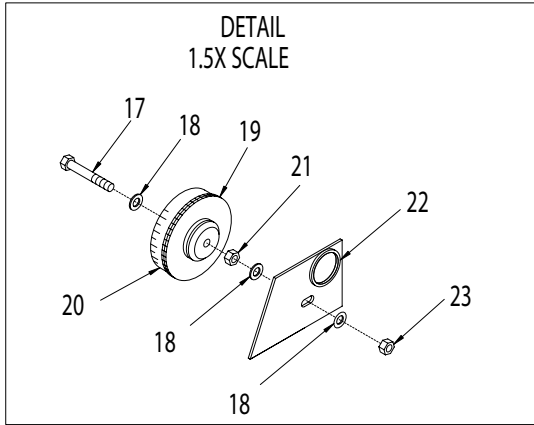
Website: [www.edcoinc.com](http://www.edcoinc.com) • Email: [sales@edcoinc.com](mailto:sales@edcoinc.com)

Printed in USA

©2004

Page 23

**ILLUSTRATION 13 : INSTRUMENT PANEL GROUPING**

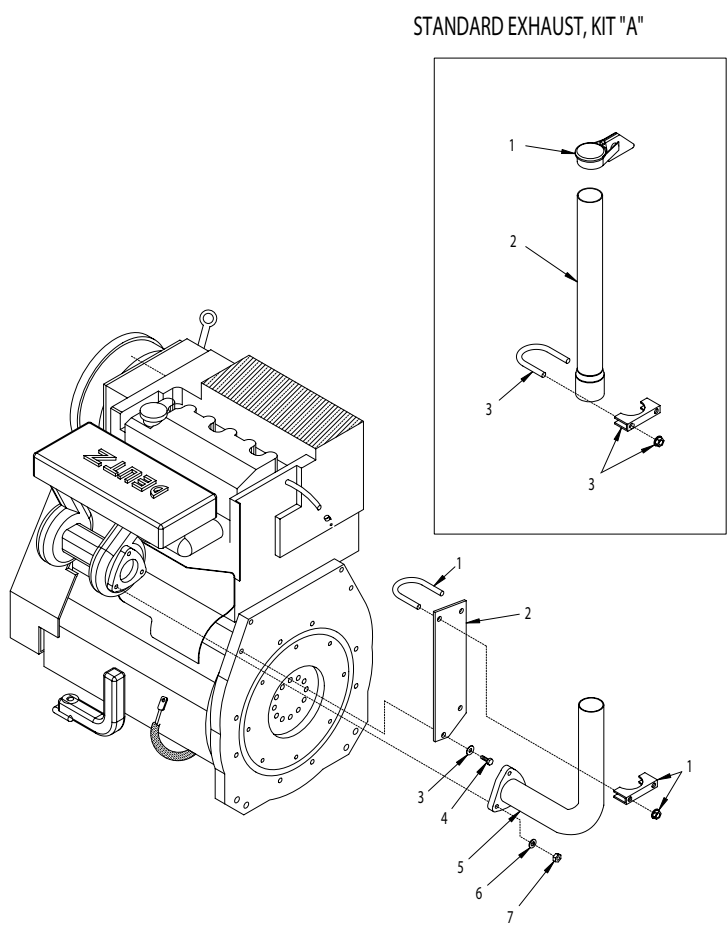




PARTS LISTING - ILLUSTRATION 13 : INSTRUMENT PANEL GROUPING			
ITEM#	PART#	DESCRIPTION	QTY.
1	57428	INSTRUMENT PANEL	1
2	-----	SWITCH & INDICATOR LIGHTS (INCLUDED W/ ENGINE)	1
3	10619	SWITCH, TOGGLE SPDT (BLADE SAVER)	1
4	10633	SWITCH, TOGGLE SPST (WATER PUMP)	1
5	15147	SWITCH PUSH BUTTON ONLY, E-STOP	1
6	15148	SWITCH ASSY. CLIP ONLY, E-STOP	1
7	15167	SWITCH CONTACT BLOCK, N.C. E-STOP	1
8	-----	TACH/HOUR METER (INCLUDED W/ ENGINE)	1
9	50560	CABLE, VERNIER ADJ. LOCKING CONTROL (THROTTLE CABLE, SEE ILLUS. 7, ITEM #24)	1
10	10602	WASHER, FLAT 1/4	8
11	10038	WASHER, LOCK 1/4	8
12		SCREW, CAP	
	10018	1/4-20x3/4	6
	10031	1/4-20x1	2
13	11591	ROPE CLEAT, NYLON JAM 3/16"-5/16"	1
14	11594	SCREW, MACHINE 10-32x5/8 SLT.FLT	2
15	10831	WASHER, LOCK, INT. TOOTH #10	2
16	10832	NUT 10-32	2
17	10336	SCREW, CAP 3/8-24x2-1/4	1
18	10025	WASHER, FLAT 3/8	3
19	57132	WHEEL, DEPTH GAUGE	1
20	57142	STICKER, DEPTH GAUGE	1
21	10004	NUT, LOCK 3/8-24	1
22	57149	GROMMET 1-1/4" ID x 1/8 GRV. x 1-1/2 GD	1
23	10004	NUT, LOCK 3/8-24	1
24	57178	ROPE, GUIDE BAR	1
25	57459	BRACKET, GUIDE ROPE	1
26	10054	NUT 5/16-18	1
27	11593	BOLT, EYE SHOULDER 5/16-18 X 1-1/8	1
28	10602	WASHER, FLAT 1/4	1
29	11636	WASHER, LOCK 6MM	1
30	11634	SCREW, CAP M6x1.0Px20MM	1
31	11618	SCREW, MACHINE 10-24x3/8	2
32	10831	WASHER, LOCK, INT. TOOTH #10	2
33	-----	SWITCH, MURPHY (INCLUDED w/ ENGINE)	1
34	10018	SCREW, CAP 1/4-20x3/4	1
35	10602	WASHER, FLAT 1/4	1
36	10451	WASHER, LOCK, INT. TOOTH 1/4"	1
37	10861	NUT, KEPS 1/4-20	1

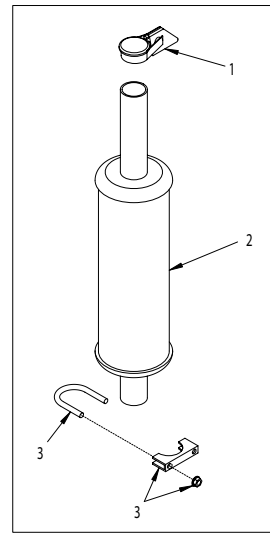


**ILLUSTRATION 14 : EXHAUST GROUPING**

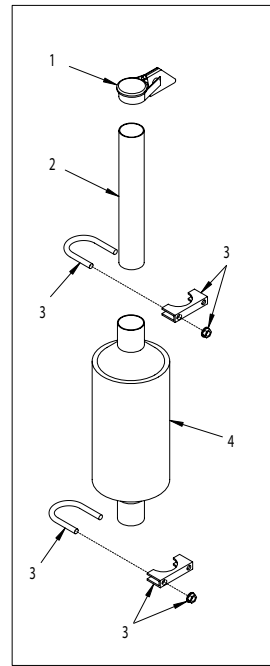


STANDARD EXHAUST, KIT "A"

OPTIONAL  
MUFFLER, KIT "B"



OPTIONAL  
CATALYTIC  
MUFFLER, KIT "C"



KIT	ITEM	PART #	DESCRIPTION	QTY.
	1	11629	CLAMP, EXHAUST PIPE 1-7/8" HD	1
	2	57452	BRACE, EXHAUST TUBE	1
	3	11631	WASHER, LOCK 10MM	2
	4	77267	SCREW, CAP M10 X 1.5P X 35MM	2
	5	57440	PIPE W/ FLANGE, EXHAUST	1
	6	10801	WASHER, LOCK 5/16	3
	7	-----	NUT (INCLUDED W/ ENGINE)	3
A		57453K	EXHAUST KIT	
	1	15159	CAP, RAIN, EXHAUST 1-7/8"	1
	2	57453	PIPE, EXHAUST 1-7/8 X 18	1
	3	11630	CLAMP, EXHAUST PIPE 2" HD	1
B		15160K	MUFFLERKIT	
	1	15161	CAP, RAIN, EXHAUST 2"	1
	2	15160	MUFFLER, 1-7/8" TO 2"	1
	3	11630	CLAMP, EXHAUST PIPE 2" HD	1
C		15155K	CATALYTIC MUFFLERKIT OPT.	
	1	15159	CAP, RAIN, EXHAUST 1-7/8"	1
	2	57486	PIPE, EXHAUST 1-7/8 X 12	1
	3	11630	CLAMP, EXHAUST PIPE 2" HD	2
	4	15155	MUFFLER, CATALYTIC	1





## LIMITED EQUIPMENT WARRANTY

Equipment Development Company, Inc. herein referred to as EDCO warrants that each new unit manufactured by EDCO to be free from defects in material and workmanship in normal use and service for a period of (1) one year (except in the case of the cutter drum assembly on all model concrete asphalt planes, in which case the warranty period shall be 90 days) from date of shipment to the original buyer or equipment rental center owner.

EDCO will, at its option, repair or replace, at the EDCO factory or at a point designated by EDCO any part, which shall appear to the satisfaction of EDCO inspection to have been defective in material or workmanship.

This warranty, does not apply to failure occurring as a result of abuse, misuse, negligent repairs, corrosion, erosion, normal wear and tear, alterations or modifications made to the product without express written consent of EDCO: or failure to follow the recommended operating practices and maintenance procedures as provided in the products operating and maintenance manuals.

This warranty does not obligate EDCO to bear any transportation charges in connection with the replacement or repair of defective parts. This warranty does not obligate EDCO to bear any expense for travel time or of personnel in connection with any service calls.

Accessories or equipment furnished and installed on the product by EDCO but manufactured by others, including but not limited to engines, motors, electrical equipment, transmissions, etc., shall carry the accessory manufacturers' own warranty.

THIS WARRANTY IS IN LIEU OF ALL OTHER WARRANTIES, EXPRESSED OR IMPLIED, OR STATUTORY, INCLUDING ANY WARRANTIES OF MERCHANTABILITY OR OF FITNESS FOR A PARTICULAR PURPOSE.

## LIABILITY LIMITATIONS

The remedies of the user set forth under provisions of warranty outlined above are the exclusive and total liability of EDCO with the respect to their sale or the equipment and service furnished hereunder, in connection with the performance or breach thereof, or from the sale, delivery, installation, repair or technical direction covered by or furnished under the sale, whether based on contract, warranty, negligence, indemnity, strict liability, or otherwise shall not exceed the purchase price of the unit of equipment upon which such liability is based.

EDCO will not in any event be liable to the user, any successors in interest or any beneficiary or assignee relating to this sale for any consequential, incidental, indirect, special or punitive damages arising out of this sale or any breach thereof, or any defects on, or failure of, or malfunction of the equipment under this sale based upon loss of use, lost profits or revenue, interest, lost goodwill, work stoppage, impairment of other goods, loss by reason of shutdown or non-operation, increased expenses of operation of the equipment, cost of purchase or replacement power of claims of users or customers of the user for service interruption whether or not such loss or damage is based on contract, warranty, negligence, indemnity, strict liability, or otherwise.

EDCO reserves the right to modify, alter and improve any part or parts without incurring any obligation to replace any part or parts previously sold without such modified, altered or improved part or parts.

No person is authorized to give any other warranty or to assume any additional obligation on EDCO's behalf unless made in writing and signed by an officer of EDCO.

Equipment Development Company, Inc.

## USE ONLY GENUINE EDCO PARTS AND ACCESSORIES

For your own safety, the safety of others and the life of your machine

