

REVISED STARTING
SERIAL # 121010002

PARTS LIST MANUAL

MODEL SK14



14" DOWNCUT - CONCRETE AND ASPHALT WALK BEHIND SAWS

SKU #	MODEL #	POWER OPTION
45400D	SK14-9H	HONDA GASOLINE ENGINE MODEL GX270
45600D	SK14-11H	HONDA GASOLINE ENGINE MODEL GX340
48100D	SK14-13H	HONDA GASOLINE ENGINE MODEL GX390



A Division of Equipment Development Company, Inc.

100 Thomas Johnson Drive, Frederick, MD 21702-4600 USA

Phone (301) 663-1600 • 1-800-638-3326

Fax (301) 663-1607 • 1-800-447-3326

Website: www.edcoinc.com

Email: sales@edcoinc.com

Printed in USA

JWA ©2012

READ AND UNDERSTAND THE OPERATORS INSTRUCTION MANUAL THOROUGHLY BEFORE ATTEMPTING TO OPERATE THIS EQUIPMENT.



Death or serious injury could occur if this machine is used improperly.



SAFETY MESSAGES

- Safety Instructions are preceded by a graphic alert symbol of DANGER, WARNING, or CAUTION.



Indicates an imminent hazard which, if not avoided, will result in death or serious injury.



Indicates an imminent hazard which, if not avoided, can result in death or serious injury.



Indicates hazards which, if not avoided, could result in serious injury and or damage to the equipment.

GASOLINE/PROPANE POWERED EQUIPMENT



- Engine exhaust from this product contains chemicals known to the State of California to cause cancer, birth defects or other reproductive harm.



- Gasoline is extremely flammable and poisonous. It should only be dispensed in well ventilated areas, and with a cool engine.

- Small gasoline engines produce high concentrations of carbon monoxide (CO) example: a 5 HP 4 cycle engine operation in an enclosed 100,000 cu. ft. area with only one change of air per hour is capable of providing deadly concentrations of CO in less than fifteen minutes. Five changes of air in the same area will produce noxious fumes in less than 30 minutes. Gasoline or propane powered equipment should not be used in enclosed or partially enclosed areas. Symptoms of CO poisoning include, headache, nausea, weakness, dizziness, visual problems and loss of consciousness. If symptoms occur - get into fresh air and seek medical attention immediately.

ELECTRICAL POWERED EQUIPMENT



Extreme care must be taken when operating electric models with water present: Ensure power cord is properly grounded, is attached to a Ground-Fault-Interrupter (GFI) outlet, and is undamaged.

- Check all electrical cables - be sure connections are tight and cable is continuous and in good condition. Be sure cable is correctly rated for both the operating current and voltage of this equipment.
- Improper connection of the equipment-grounding conductor can result in a risk of electric shock. Check with qualified electrician or service person if there is any doubt as to whether the outlet is properly grounded. Adhere to all local codes and ordinances.
- **NOTE:** In the event of a malfunction or breakdown, grounding provides a path of least resistance for the electric current to dissipate. The motor is equipped with a grounded plug and must be connected to an outlet that is properly installed and properly grounded. DO NOT modify the plug provided on the motor. If the plug does not fit the outlet have a qualified electrician install the proper receptacle.
- Switch motor OFF before disconnecting power.

- Do not disconnect power by pulling cord. To disconnect, grasp the plug, not the cord.
- Unplug power cord at the machine when not in use and before servicing.

GENERAL INSTRUCTIONS


- Equipment should only be operated by trained personnel in good physical condition and mental health (not fatigued). The operator and maintenance personnel must be physically able to handle the bulk weight and power of this equipment.
- This is a one person tool. Maintain a safe operating distance to other personnel. It is the **operators' responsibility** to keep other people (workers, pedestrians, bystanders, etc.) away during operation. Block off the work area in all directions with roping, safety netting, etc. for a safe distance. Failure to do so may result in others being injured by flying debris or exposing them to harmful dust and noise.
- This equipment is intended for commercial use only.
- For the operator's safety and the safety of others, always keep all guards in place during operation.
- Never let equipment run unattended.



- Personal Protection Equipment and proper safety attire must be worn when operating this machinery. The operator must wear approved safety equipment appropriate for the job such as hard hat and safety shoes when conditions require. Hearing protection **MUST** be used (operational noise levels of this equipment may exceed 85db). Eye protection **MUST** be worn at all times.



Keep body parts and loose clothing away from moving parts. Failure to do so could result in dismemberment or death.

- Do not modify the machine.
 - Stop motor/engine when adjusting or servicing this equipment.
-  Maintain a safe operating distance from flammable materials. Sparks from the cutting-action of this machine can ignite flammable materials or vapors.

DUST WARNING



Some dust created by power sanding, sawing, grinding, drilling, and other construction activities contains chemicals known to cause cancer, birth defects, or other reproductive harm. Some examples of these chemicals are:

- Lead from lead-based paints, and
- Crystalline silica from bricks and concrete and other masonry products.

Your risk of exposure to these chemicals varies depending on how often you do this type of work. To reduce your risk: work in a well ventilated area, use a dust control system, such as an industrial-style vacuum, and wear approved personal safety equipment, such as a dust/particle respirator designed to filter out microscopic particles.

PARTS LIST MANUAL

MODEL SK14

14" DOWNCUT - WALK BEHIND SAW

TABLE OF CONTENTS

<u>Section</u>	<u>Page Number</u>
Safety Messages and General Instructions	2
How To Order Replacement Parts	3
Illustration 1: Main Grouping	4, 5
Illustration 2: Arbor & Blade Guard Grouping	6, 7
Illustration 3: Water Tank Assembly (Optional)	8, 9
Illustration 4: Engine & Belt Drive Grouping	10, 11
Wiring Diagram for Honda Engine	12
Decals	13
Notes	14
Limited Equipment Warranty of Sale - Terms & Conditions	16 (Back Page)

HOW TO ORDER REPLACEMENT PARTS

- To insure product safety and reliability, always use genuine EDCO replacement parts when making repairs to the equipment.
- When calling for parts, specify the MODEL and SERIAL number of the machine, which can be found on the NAME PLATE. Keep that information in the space provided. In addition to this information, give part number, description, and quantity as listed on the parts list to your parts representative.
- Please note: Due to improvements and changes in the equipment, the illustrations shown may be different than the actual machine.

FILL IN INFORMATION BELOW

Date of Purchase _____

Model # _____

Serial # _____

SKU # _____



A Division of Equipment Development Company, Inc.

100 Thomas Johnson Drive, Frederick, MD 21702-4600 USA

Phone (301) 663-1600 • 1-800-638-3326

Fax (301) 663-1607 • 1-800-447-3326

Website: www.edcoinc.com

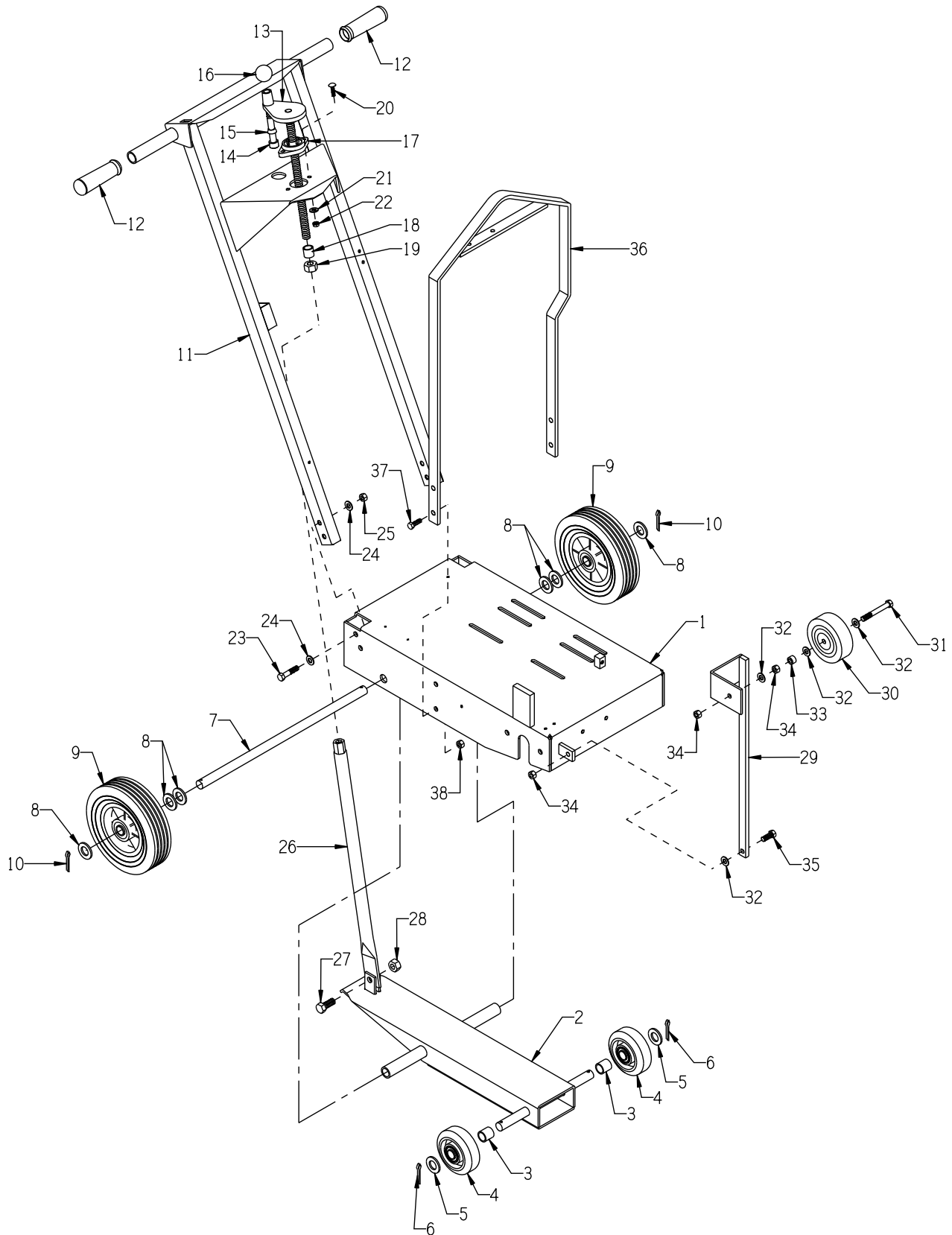
Email: sales@edcoinc.com

Printed in USA

JWA ©2012

Page 3

ILLUSTRATION 1: MAIN GROUPING



PARTS LISTING - ILLUSTRATION 1: MAIN GROUPING			
ITEM #	PART #	DESCRIPTION	QTY.
1	52070	MAIN FRAME, SK-14	1
2	52061	FORK, SK-14	1
3	52010	SPACER, FRONT WHEEL 3/4ID X 15/16	2
4	52001	WHEEL 4 X 1-1/2 X 3/4"BRG. ALUM/RUB	2
5	10009 11597	WASHER, FLAT 3/4 SAE ZINC WASHER .755"ID X 1.25"OD X .060"THK (USE AS NEEDED)	2 2
6	10306	PIN, COTTER 3/16 X 1-1/2	2
7	52062	AXLE SHAFT 3/4"DIA. X 19-1/4"L	1
8	10009	WASHER, FLAT 3/4 SAE ZINC	6
9	79013	WHEEL, 8 X 2-1/2 X 3/4"BRG.POLY HUB	2
10	10306	PIN, COTTER 3/16 X 1-1/2	2
11	52021	HANDLE BAR, SK-14	1
12	10608	GRIP, HAND 1" MODEL AT	2
13	80008	HANDWHEEL, SMALL W/ 5/8-11 X 12"ROD	1
14	10411	SCREW, SKT. HD. CAP 1/2-13 X 4 ZINC	1
15	50550	SLEEVE, BRASS 1/2" TAPERED	1
16	14023	KNOB, BALL 1-3/8 W/ 1/2-13THD, BLK.	1
17	80009	BEARING, BALL 5/8" 2-HOLE (NO G.F.)	1
18	55010	SPACER, HANDWHEEL 5/8"ID X 3/4"L	1
19	10046	NUT, HEX 5/8-11 ZINC	1
20	10412	BOLT, CARRIAGE 1/4-20 X 1 FULL THD.	2
21	10602	WASHER, FLAT 1/4 SAE ZINC	2
22	10861	NUT, KEPS LOCK 1/4-20 ZINC	2
23	10029	SCREW, CAP 3/8-24 X 1-3/4	4
24	10025	WASHER, FLAT 3/8 SAE ZINC	8
25	10004	NUT, HEX LOCK 3/8-24 ZINC	4
26	52016	LINKAGE, CUT CONTROL, SK-14	1
27	10321	SCREW, CAP 1/2-20 X 1-1/4	1
28	10205	NUT, HEX LOCK 1/2-20 ZINC	1
29	52007	GUIDE BAR, SK-14 DOWN-CUT	1
30	50024	WHEEL 4 X 1-3/8 X 3/8"BORE	1
31	10885	SCREW, CAP 3/8-24 X 3	1
32	10025	WASHER, FLAT 3/8 SAE ZINC	4
33	10011	SPACER, STEEL 5/8OD X 3/8ID X 3/8T	1
34	10004	NUT, HEX LOCK 3/8-24 ZINC	2
35	10021	SCREW, CAP 3/8-24 X 1	1
36	52073	BAIL, LIFTING, SK-14	1
37	10021	SCREW, CAP 3/8-24 X 1	4
38	10004	NUT, HEX LOCK 3/8-24 ZINC	4



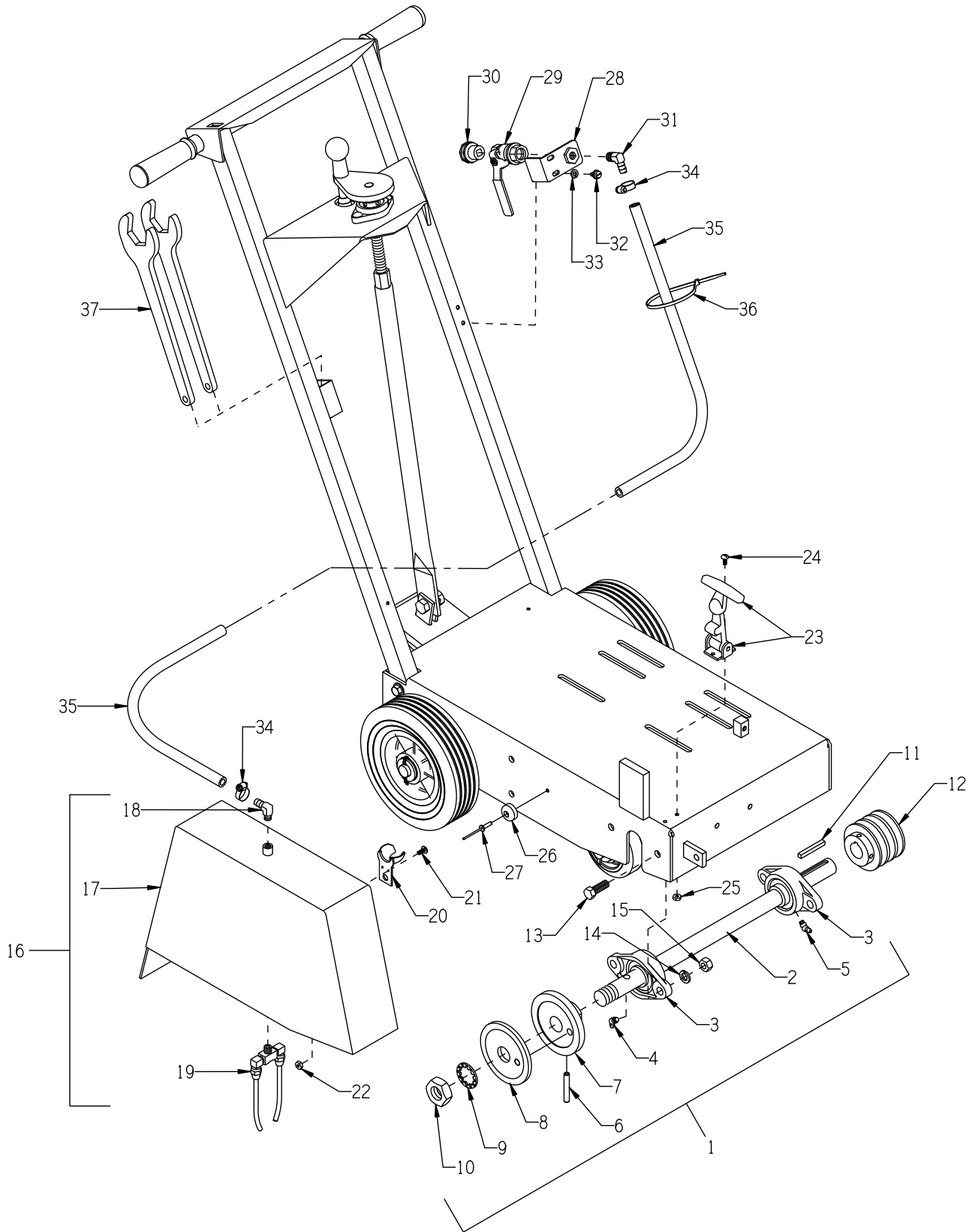
100 Thomas Johnson Drive, Frederick, MD 21702-4600 USA
 Phone (301) 663-1600 • 1-800-638-3326
 Fax (301) 663-1607 • 1-800-447-3326
 Website: www.edcoinc.com
 Email: sales@edcoinc.com

Printed in USA

JWA ©2012

Page 5

ILLUSTRATION 2: ARBOR & BLADE GUARD GROUPING



PARTS LISTING - ILLUSTRATION 2: ARBOR & BLADE GUARD GROUPING			
ITEM #	PART #	DESCRIPTION	QTY.
1	69050A	ARBOR ASSY. COMPLETE (INCLUDES ITEMS 2 THRU 10)	1
2	69050	ARBOR SHAFT 19-1/4"L, SK-14	1
3	62022	BEARING, BALL 1" 2-HOLE FLANGE	2
4	10961	FITTING, GREASE 1/4-28 X 90°	1
5	10960	FITTING, GREASE 1/4-28 X 45°	1
6	10211	PIN, ROLL 5/16 X 2	1
7	56026	ARBOR BACKING PLATE 4"	1
8	56025	ARBOR BLADE CAP 4"OD W/1"HOLE	1
9	55009	WASHER, LOCK, INT. TOOTH 1"	1
10	50019	NUT, HEX JAM 1-14 ZINC GRADE A	1
11	10115	KEY 1/4SQ X 2	1
12	80027	SHEAVE 3"OD X 3GR.A X 1"BORE	1
13	10003	SCREW, CAP 7/16-20 X 1-1/4 ZINC	4
14	10450	WASHER, LOCK 7/16 ZINC	4
15	10481	NUT, HEX 7/16-20 ZINC	4
16	52005A	GUARD, BLADE, ASSY. COMPLETE, SK-14 (INCLUDES ITEMS 17 THRU 22)	1
17	52005	GUARD, BLADE 14", SK-14 DOWN-CUT	1
18	11562	BARB ELBOW 90, 3/8HOSE X 1/8MPT	1
19	81004	NOZZLE, COOLANT 1/8MPT W/ 4"TUBES	1
20	52002K	LATCH KEEPER BRKT., EXT.LG. STYLE S	1
21	10830	SCREW, MACHINE SHWH 10-32 X 1/2	2
22	10832	NUT, KEPS LOCK 10-32 ZINC	2
23	52002	LATCH, FLEXIBLE DRAW W/ T-HANDLE (INCLUDES LATCH KEEPER BRKT., ITEM 20)	1
24	10830	SCREW, MACHINE SHWH 10-32 X 1/2	2
25	10832	NUT, KEPS LOCK 10-32 ZINC	2
26	52022	BUMPER, RUBBER 1OD X 3/16ID X 7/16H	1
27	52023	RIVET, BLIND 3/16 X .7"L X .375HD	1
28	56022	BRACKET, WATER VALVE	1
29	10711	VALVE, BALL 1/2 FPT	1
30	80021	CONN., SWIVEL FEM. 3/4HOSE X 1/2MPT	1
31	10799	BARB ELBOW 90, 3/8HOSE X 1/4MPT	1
32	10846	SCREW, CAP STSHW 1/4-20 X 1/2	2
33	10038	WASHER, LOCK 1/4 ZINC	2
34	50069	CLAMP, HOSE, SAE #6, ADJ. TO 13/16	2
35	56023	HOSE, WATER 3/8"ID X 43"L	1
36	10982	TIE, CABLE, BLACK NYLON 11-1/4"	2
37	50445	WRENCH, ARBOR, 1-1/2" OPEN END	2



A Division of Equipment Development Company, Inc.

100 Thomas Johnson Drive, Frederick, MD 21702-4600 USA

Phone (301) 663-1600 • 1-800-638-3326

Fax (301) 663-1607 • 1-800-447-3326

Website: www.edcoinc.com

Email: sales@edcoinc.com

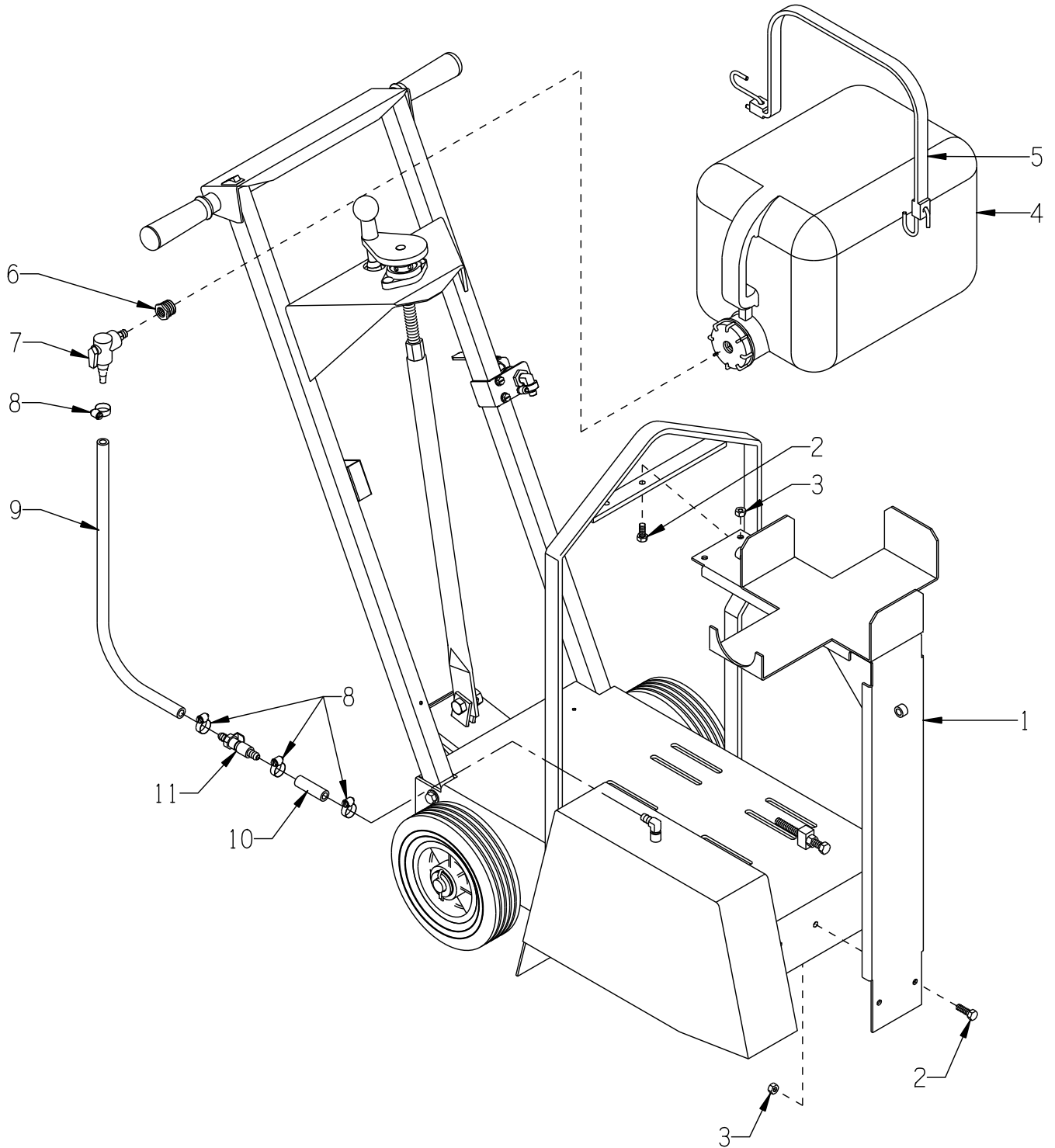
Printed in USA

JWA ©2012

Page 7

ILLUSTRATION 3: WATER TANK ASSEMBLY

**OPTIONAL
PART # 52075**



PARTS LISTING - ILLUSTRATION 3: WATER TANK ASSEMBLY			
OPTIONAL - PART # 52075			
ITEM #	PART #	DESCRIPTION	QTY.
1	52074	MOUNT ONLY, WATER TANK, SK-14	1
2	10053	SCREW, CAP 5/16-18 X 3/4	4
3	10807	NUT, HEX LOCK 5/16-18 ZINC	4
4	52031	DRUM, PLASTIC 5 GALLON, 3/4NPT CAP	1
5	52035	TIE-DOWN STRAP, MOLDED RUBBER 24"	2
6	52034	BUSHING, HEX 3/4 X 1/4 NPT NYLON	1
7	56312	VALVE, BALL PVC 90°A 1/4MPT X BARB	1
8	50069	CLAMP, HOSE, SAE #6, ADJ. TO 13/16	4
9	52077	HOSE, WATER 3/8"ID X 10"L	1
10	56316	HOSE, WATER 3/8"ID X 2"L	1
11	11637	COUPLING, QUICK-DISCONNECT 3/8" SPL	1



A Division of Equipment Development Company, Inc.

100 Thomas Johnson Drive, Frederick, MD 21702-4600 USA

Phone (301) 663-1600 • 1-800-638-3326

Fax (301) 663-1607 • 1-800-447-3326

Website: www.edcoinc.com

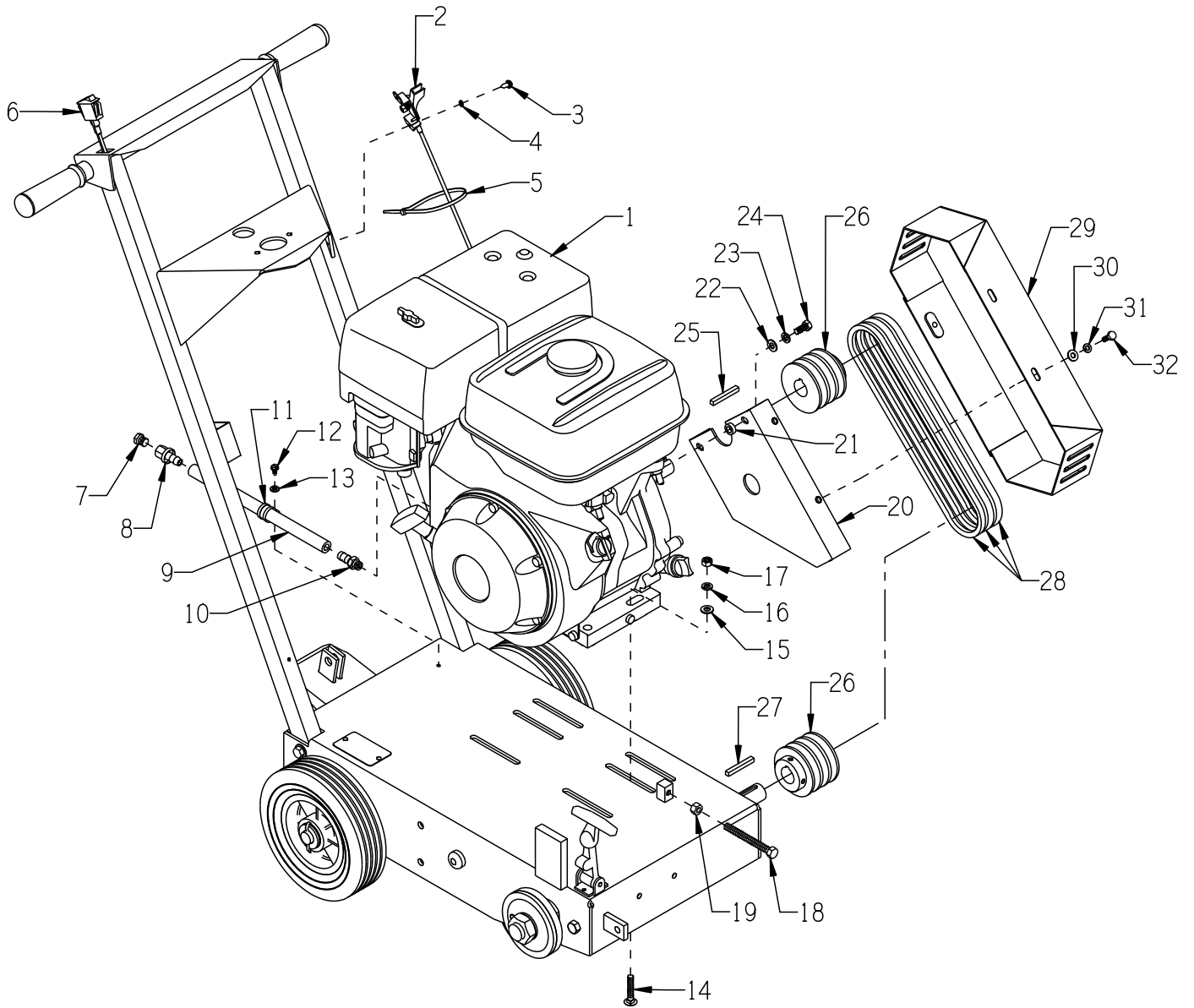
Email: sales@edcoinc.com

Printed in USA

JWA ©2012

Page 9

ILLUSTRATION 4: ENGINE & BELT DRIVE GROUPING



PARTS LISTING			
ITEM #	PART #	DESCRIPTION	QTY.
1	15027	ENGINE WITH CYCLONE AIR CLEANER ...	1
	79045	HONDA GX270UT2-QXC9	
	15029	HONDA GX340UT2-QXC9	
		HONDA GX390UT2-QXC9	
PARTS LISTING CONTINUED ON THE NEXT PAGE			

PARTS LISTING CONTINUED - ILLUSTRATION 4: ENGINE & BELT DRIVE GROUPING

ITEM #	PART #	DESCRIPTION	QTY.
2	40388	CABLE, THROTTLE, LEVER-TYPE 24"	1
3	10877	SCREW, CAP STSHW 10-24 X 1/2	2
4	10831	WASHER, LOCK, INT. TOOTH #10	2
5	10982	TIE, CABLE, BLACK NYLON 11-1/4"	1
6	15201A	SWITCH W/ WIRES, ROCKER RED ON-OFF ADDITIONAL PARTS REQ'D. (NOT SHOWN):	1
	50084	TERM., RING #10 16-14GA. INSULATED	1
	10877	SCREW, CAP STSHW 10-24 X 1/2	1
	10831	WASHER, LOCK, INT. TOOTH #10	1
	10970	CONN., WIRE QUICK-SPLICE 18-14 GA.	1
	36042	CLIP, NATURAL CORD, 1/8" X 1/4"	2
7	10776	PIPE PLUG 1/4 NPT (BRASS)	1
8	11544	BARB, PUSH-ON 3/8 HOSE X 1/4FPT	1
9	52063	HOSE, PUSH-ON 3/8"ID X 10-1/2"L	1
10	11542	BARB, PUSH-ON 3/8HOSE X M12-1.5MALE	1
11	11565	CLAMP, LOOM, 5/8" (SAE SIZE 10)	1
12	10846	SCREW, CAP STSHW 1/4-20 X 1/2	1
13	10038	WASHER, LOCK 1/4 ZINC	1
14	10918	BOLT, CARRIAGE 5/16-18 X 1-3/4 F.T.	4
15	10213	WASHER, FLAT 5/16 SAE ZINC	4
	10025	WASHER, FLAT 3/8 SAE ZINC	2
16	10801	WASHER, LOCK 5/16 ZINC	4
17	10054	NUT, HEX 5/16-18 ZINC	4
18	52015	BOLT, TAP 3/8-16 X 3-1/2(FULL THD.)	1
19	10404	NUT, HEX 3/8-16 ZINC	1
20	52072	BRACKET, BELT COVER, SK-14	1
21	10113	SPACER, STEEL 9/16OD X 3/8ID X 7/32 (HONDA GX340 & GX390)	2
	10011	SPACER, STEEL 5/8OD X 3/8ID X 3/8 (HONDA GX270)	4
22	10213	WASHER, FLAT 5/16 SAE ZINC	2
23	10801	WASHER, LOCK 5/16 ZINC	2
24	10048	SCREW, CAP 5/16-24 X 3/4 (HONDA GX340 & GX390)	2
	11691	SCREW, CAP 5/16-24 X 1-1/2 (HONDA GX270)	2
25	10307	KEY 1/4SQ X 2-1/4	1
26	80027	SHEAVE 3"OD X 3GR.A X 1"BORE	2
27	10115	KEY 1/4SQ X 2	1
28	10253	BELT AX-27 (GATES TRI-POWER 1/2" x 29")	3
29	52071	COVER, BELT, SK-14	1
30	10602	WASHER, FLAT 1/4 SAE ZINC	3
31	10038	WASHER, LOCK 1/4 ZINC	3
32	10018	SCREW, CAP 1/4-20 X 3/4	3



A Division of Equipment Development Company, Inc.

100 Thomas Johnson Drive, Frederick, MD 21702-4600 USA

Phone (301) 663-1600 • 1-800-638-3326

Fax (301) 663-1607 • 1-800-447-3326

Website: www.edcoinc.com

Email: sales@edcoinc.com

Printed in USA

JWA ©2012

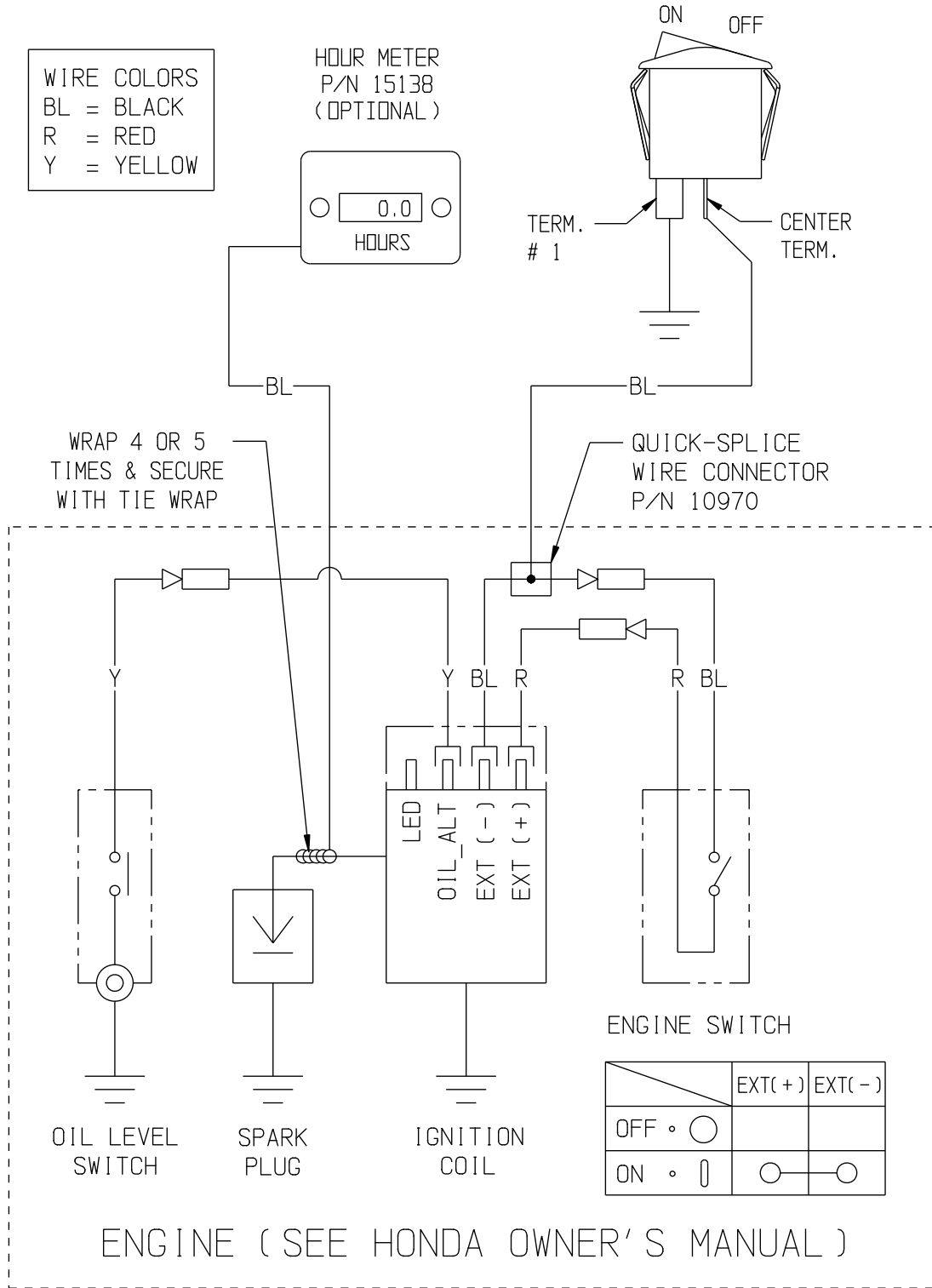
Page 11

WIRING DIAGRAM FOR HONDA ENGINE

ON-OFF ROCKER SWITCH
P/N 15201A
(LOCATED ON HANDLE)

WIRE COLORS
BL = BLACK
R = RED
Y = YELLOW

HOUR METER
P/N 15138
(OPTIONAL)



DECALS

SK-14 14 x 17
P/N 92212 Rev. B

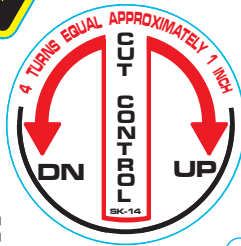


exceeds 85dBA

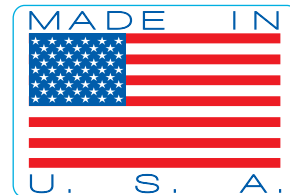
CHECK OIL DAILY



CALIFORNIA PROPOSITION 65 WARNING
The engine exhaust from this product contains chemicals known to the State of California to cause cancer, birth defects or other reproductive harm.

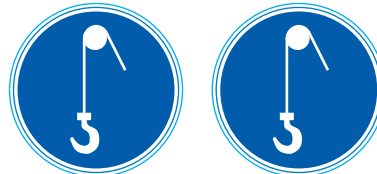


GREASE BEARINGS
DAILY



⚠ DANGER
BEFORE CUTTING INTO ANY SURFACE,
INSURE THERE ARE NO BURIED GAS,
ELECTRICAL, HIGH PRESSURE AIR,
SEWER OR WATER LINES

NOTE: Locate this decal so it is
visible from operator's position



THROTTLE



WARNING
THERE IS NO OIL IN THIS MACHINE

RENTAL-TOUGH

THIS PAGE IS LEFT BLANK INTENSIONALLY



A Division of Equipment Development Company, Inc.

100 Thomas Johnson Drive, Frederick, MD 21702-4600 USA

Phone (301) 663-1600 • 1-800-638-3326

Fax (301) 663-1607 • 1-800-447-3326

Website: www.edcoinc.com

Email: sales@edcoinc.com

Printed in USA

JWA ©2012

Page 15

LIMITED EQUIPMENT WARRANTY OF SALE - TERMS & CONDITIONS

Equipment Development Company, Inc. herein referred to as EDCO (Seller) warrants that each new unit manufactured by EDCO to be free from defects in material and workmanship in normal use and service for a period of (1) one year (except for the cutter drum assembly on all model concrete/asphalt planes, in which case the warranty period shall be 90 days) from date of shipment to the original retail or equipment rental center owner.

Accessories or equipment furnished and installed on the product by EDCO but manufactured by others, including, but not limited to engines, motors, electrical components, transmissions etc., shall carry the accessory manufacturers own warranty.

EDCO will, at its option, repair or replace, at the EDCO factory or at a point designated by EDCO, any part which shall appear to the satisfaction of EDCO inspection to have been defective in material or workmanship.

EDCO reserves the right to modify, alter and improve any part or parts without incurring any obligation to replace any part or parts previously sold without such modified, altered or improved part or parts.

This warranty is in lieu of and excludes all other warranties, expressed, implied, statutory, or otherwise created under applicable law including, but not limited to the warranty of merchantability and the warranty of fitness for a particular purpose in no event shall seller or the manufacturer of the product be liable for special, incidental, or consequential damages, including loss of profits, whether or not caused by or resulting from the negligence of seller and/or the manufacturer of the product unless specifically provided herein. In addition, this warranty shall not apply to any products or portions thereof of which have been subjected to abuse, misuse, improper installation, maintenance, or operation, electrical failure or abnormal conditions and to products which have been tampered with, altered, modified, repaired, reworked by anyone not approved by seller or used in any manner inconsistent with the provisions of the above or any instructions or specifications provided with or for the product

FORCE MAJEURE

Seller's obligation hereunder are subject to, and Seller shall not be held responsible for, any delay or failure to make delivery of all or any part of the Product due to labor difficulties, fires, casualties, accidents, acts of the elements, acts of God, transportation difficulties, delays by a common carrier, inability to obtain Product, materials or components or qualified labor sufficient to timely perform part of or all of the obligations contained in these terms and conditions, governmental regulations or actions, strikes, damage to or destruction in whole or part of manufacturing plant, riots, terrorist attacks or incidents, civil commotions, warlike conditions, flood, tidal waves, typhoon, hurricane, earthquake, lightning, explosion or any other causes, contingencies or circumstances within or without the United States not subject to the Seller's control which prevent or hinder the manufacture or delivery of the Products or make the fulfillment of these terms and conditions impracticable. In the event of the occurrence of any of the foregoing, at the option of Seller, Seller shall be excused from the performance under these Terms and Conditions, or the performance of the Seller shall be correspondingly extended.

This document sets forth the terms and conditions pursuant to which the purchaser ("Purchaser") will purchase and Equipment Development Co. Inc. ("Seller") will sell the products, accessories, attachments (collectively the Products) ordered by the Purchaser. These terms and conditions shall govern and apply to the sale of Seller's Products to Purchaser, regardless of any terms and conditions appearing on any purchase order or other forms submitted by Purchaser to Seller, or the inconsistency of any terms therein and herein.

1. PRICE

All prices set forth on any purchase order or other document are F.O.B. Sellers facility or distribution point, as may be determined by Seller (F.O.B. Point). All prices are exclusive of any and all taxes, including, but not limited to, excise, sales, use, property or transportation taxes related to the sale or use of the Products, now or hereafter imposed, together with all penalties and expenses. Purchaser shall be responsible for collecting and/or paying any and all such taxes, whether or not they are stated in any invoice for the Products. Unless otherwise specified herein, all prices are exclusive of inland transportation, freight, insurance and other costs and expenses relating to the shipment of the Products from the F.O.B. point to Purchaser's facility. Any prepayment by Seller of freight insurance and other costs shall be for the account of Purchaser and shall be repaid to Seller.

2. PAYMENT TERMS

Payment terms are as follows. 2% 10 days (to approved and qualified accounts). Net 30 days. This is a cash discount for invoices paid within 10 days after the invoice date, regardless of date of receipt of shipment. This is not a trade discount and will not be granted to accounts that do not adhere to stated terms.

*All past due accounts are subject to a late payment fee of 1.5% per month or a maximum allowed by law if different, along with the expenses incidental to collection including reasonable attorney's fees and costs.

*Seller reserves the right to hold shipments against past due accounts.

*Seller reserves the right to alter payment terms.

3. FREIGHT TERMS

All shipments will be made F.O.B. shipping point as designated in these Terms and Conditions, and title shall pass at the F.O.B. point. Delivery to the initial common carrier shall constitute delivery to the Purchaser. Any claims for loss or damage during shipment are to be filed with carrier by the Purchaser. Seller will not assume responsibility for the performance of the carrier.

Back orders will be shipped in the most practical fashion with charges consistent with our freight policy established with the original order. UPS, FED EX, MAIL or shipments by other couriers are subject to the same terms and conditions as outlined in paragraph #3 "Freight Terms".

4. DELIVERY, DAMAGES, SHORTAGES

Seller shall use reasonable efforts to attempt to cause the Products to be delivered as provided for in these Terms & Conditions. Delivery to the initial common carrier shall constitute the delivery to the Purchaser. Seller's responsibility, in so far as transportation risks are concerned ceases upon the delivery of the Products in good condition to such carrier at the F.O.B. point and all the Products shall be shipped at the Purchaser's risk. Seller shall not be responsible or liable for any loss of income and/or profits, or incidental, special, consequential damages resulting from Seller's delayed performance in shipment and delivery.

5. RETURN OF DEFECTIVE PRODUCTS

Defective or failed material shall be held at the Purchaser's premises until authorization has been granted by Seller to return or dispose of Products. Products that are to be returned for final inspection must be returned Freight Prepaid in the most economical way. Credit will be issued for material found to be defective upon Seller's inspection based on prices at time of purchase.

6. PRODUCTS ORDERED IN ERROR

Products may be returned, provided that claim is made and Seller is notified within 7 days of receipt of Products, and the Products are in original buyer's possession not more than 30 days prior to return, subject to Seller's approval. If Products are accepted for return, they must be Freight Prepaid and buyer will be charged a minimum of 15% restocking charge, plus a charge back for outbound freight charges if the original order was shipped prepaid. Returns are not accepted for any Products that are specifically manufactured to meet the buyer's requirement of either specifications or quantity.

AGREEMENTS

These Terms and Conditions constitute the entire agreement between Seller and Purchaser as it relates to terms and conditions of sale, and supersedes any and all prior oral or written agreements, correspondence, quotations or understandings heretofore in force between the parties relating to the subject matter hereof. There are no agreements between Seller and Purchaser with respect to the Product herein except those specifically set forth in and made part of these terms and conditions. Any additional terms, conditions and/or prices are rejected by Seller.

These terms and conditions may be modified, cancelled or rescinded only by a written agreement of both parties executed by their duly authorized agents.

USE ONLY GENUINE EDCO PARTS & ACCESSORIES
For your own safety, the safety of others and the life of your machine.
Equipment Development Company, Inc.

