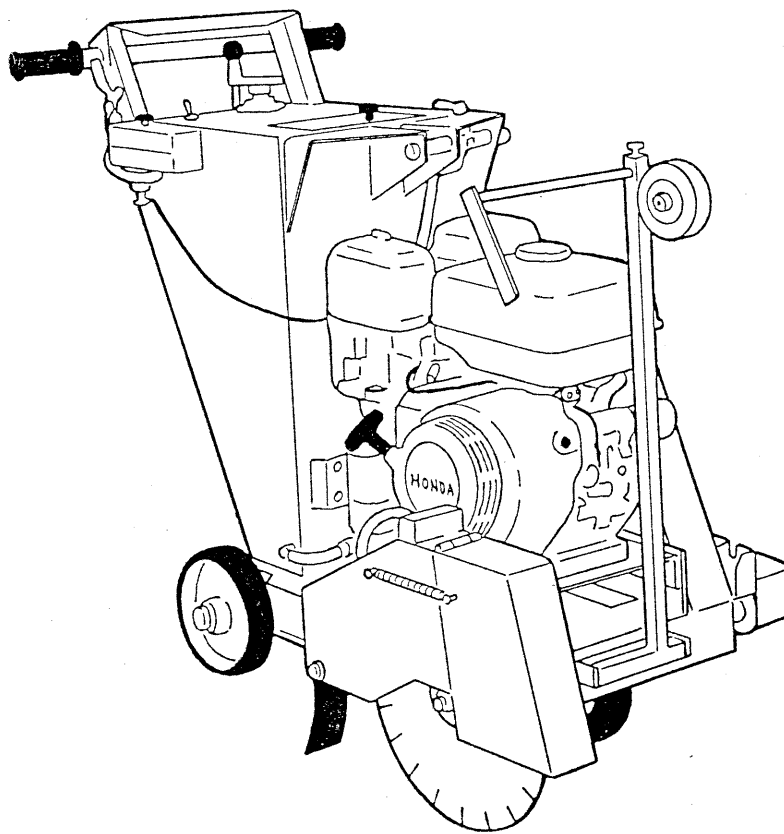


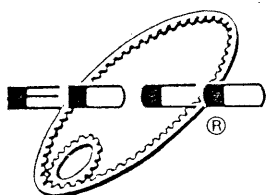
March 1991

CONCRETE / ASPHALT SAW

PARTS LIST MANUAL



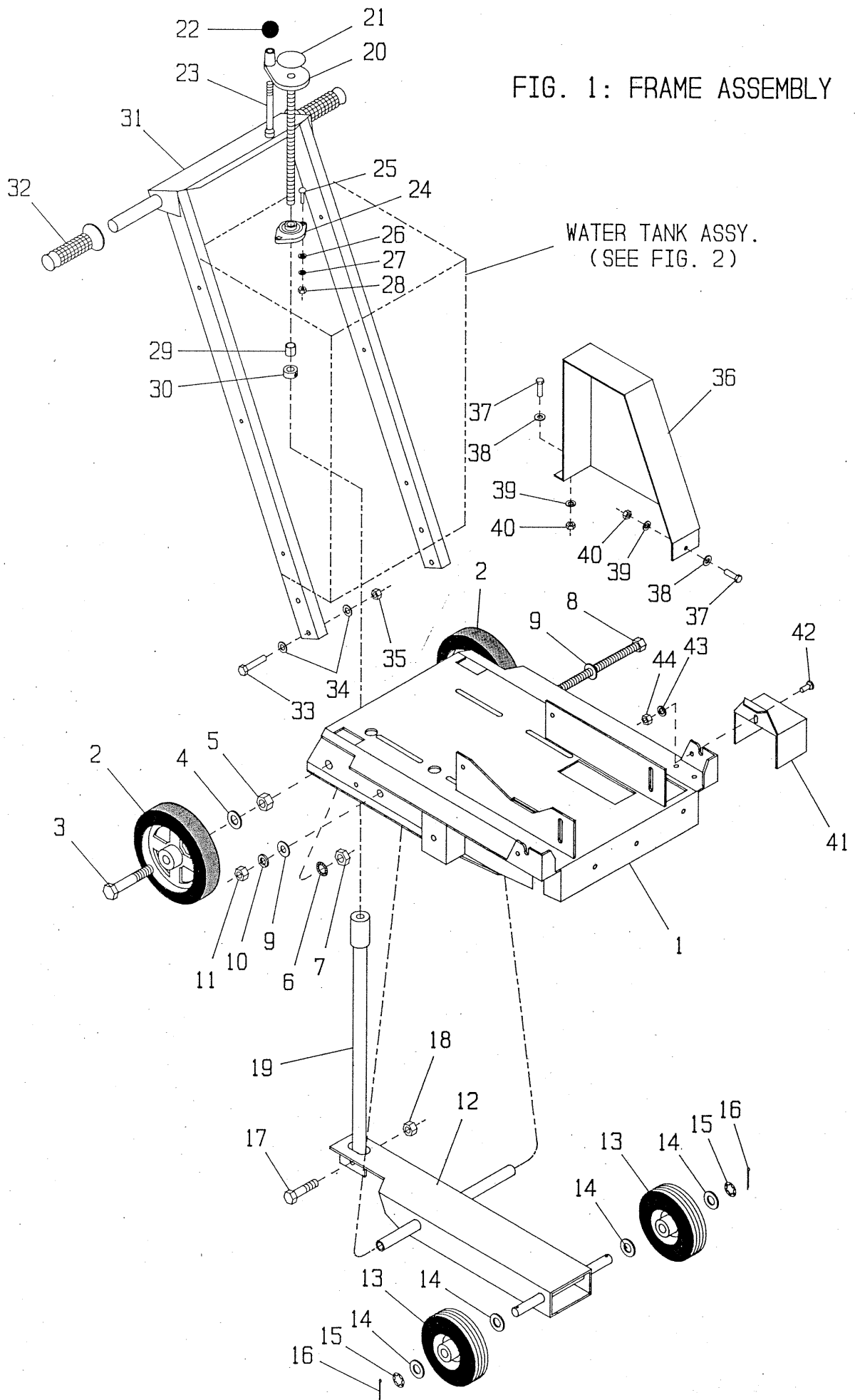
Model DST-16



EQUIPMENT DEVELOPMENT COMPANY, INC.

100 THOMAS JOHNSON DRIVE, FREDERICK, MARYLAND 21702-4305 USA
301-663-1600 TOLL FREE 1-800-638-3326 FAX 301-663-1607

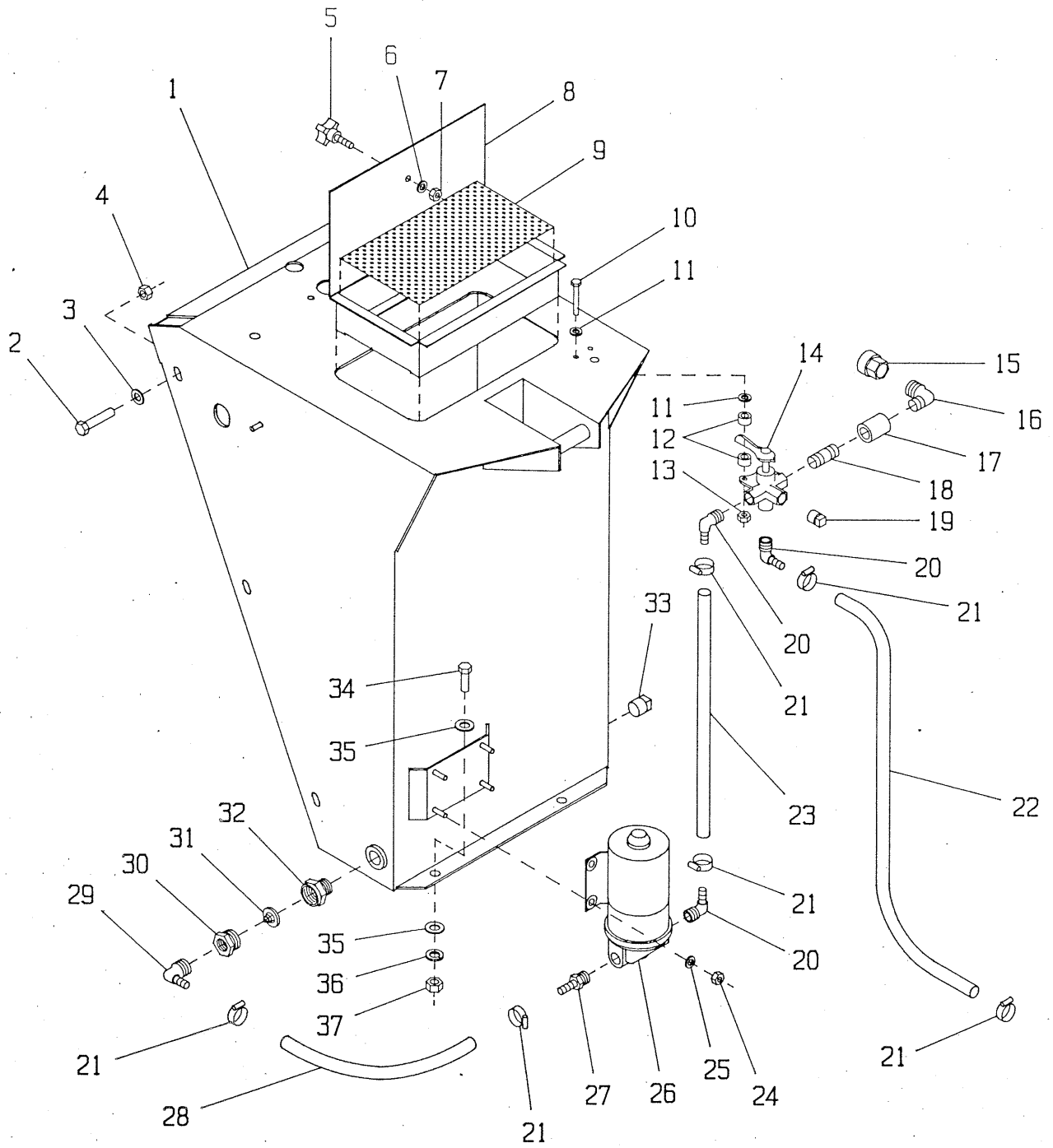
FIG. 1: FRAME ASSEMBLY



PARTS LISTING - FIG. 1: FRAME ASSEMBLY

Item #	Part #	Description	Qty.
1.	56102	Main Frame	1
2.	51028	Wheel 8 x 2 x 3/4" Brg.	2
3.	10406	Screw, Cap 3/4-16 x 4	2
4.	10009	Washer, Flat 3/4	2
5.	10405	Nut 3/4-16	2
6.	10609	Washer, Int. Tooth 3/4	2
7.	10429	Nut, Jam 3/4-16	2
8.	56005	Rod, Allthread Bolt 5/8-11 x 16	1
9.	10073	Washer, Flat 5/8	2
10.	10041	Washer, Lock 5/8	1
11.	10046	Nut 5/8-11	1
12.	56004D	Fork (Down-Cut)	1
13.	80028	Wheel 6 x 2 x 3/4" Brg.	2
14.	10009	Washer, Flat 3/4	4
15.	20050	Clip, Retaining 3/4 (CP402)	2
16.	10306	Pin, Cotter 3/16 x 1-1/2	2
17.	10322	Screw, Cap 1/2-20 x 2	1
18.	10205	Nut, Lock 1/2-20	1
19.	56003	Linkage, Cut Control	1
20.	81023	Handwheel W/ 5/8-8 x 12" Rod	1
21.	80007	Decal, "Cut Control" (Small)	1
22.	14023	Knob, Ball 1/2-13 x 1-3/8" Rd.	1
23.	10346	Screw, Skt. Hd. 1/2-13 x 4-1/2	1
&	50550	Sleeve, Tapered	1
24.	80009	Bearing, Ball 5/8" 2-Hole Flange	1
25.	10412	Bolt, Carr. 1/4-20 x 1	2
26.	10602	Washer, Flat 1/4	2
27.	10038	Washer, Flat 1/4	2
28.	10013	Nut 1/4-20	2
29.	55010	Spacer, Steel 5/8" ID x 3/4" L	1
30.	10096	Collar, Locking 5/8	1
31.	56103	Handle Bar	1
32.	61108	Grip, Hand 1" Ribbed	2
33.	10029	Screw, Cap 3/8-24 x 1-3/4	4
34.	10025	Washer, Flat 3/8	8
35.	10004	Nut, Lock 3/8-24	4
36.	56104	Cover, Belt	1
37.	10806	Screw, Cap 5/16-18 x 1	2
38.	10213	Washer, Flat 5/16	2
39.	10801	Washer, Lock 5/16	2
40.	10054	Nut 5/16-18	2
41.	51010	Cover, Arbor	1
42.	10823	Bolt, Carr. 3/8-16 x 3/4	1
43.	10811	Washer, Lock 3/8	1
44.	10404	Nut 3/8-16	1

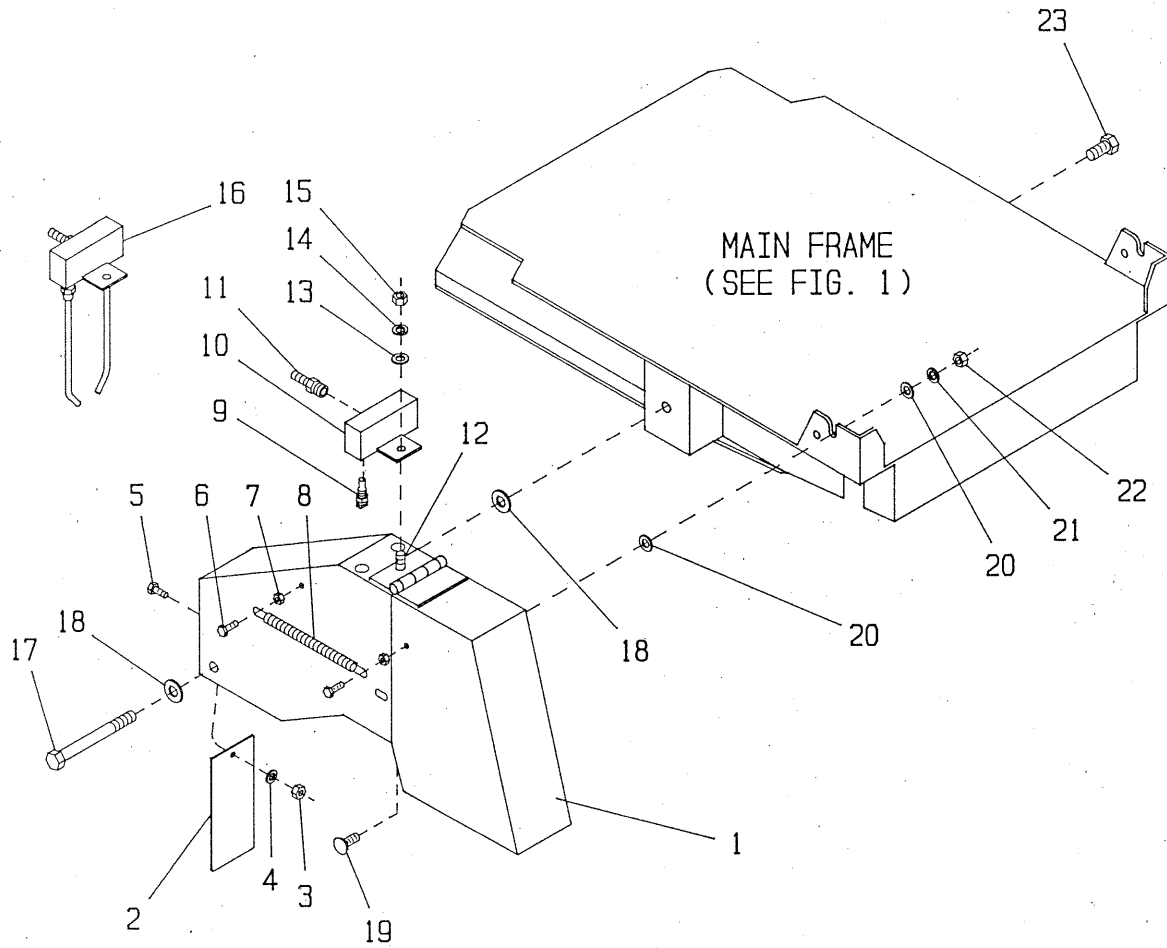
FIG. 2: WATER TANK & PUMP ASSEMBLY



PARTS LISTING - FIG. 2: WATER TANK & PUMP ASSEMBLY

Item #	Part #	Description	Qty.
1.	56105	Tank, Water (12 Gal.)	1
2.	10342	Screw, Cap 5/16-18 x 1-1/2	6
3.	10213	Washer, Flat 5/16	6
4.	10807	Nut, Lock 5/16-18	6
5.	C90062	Knob, Star W/ 5/16-18 x 1"Stud	1
6.	10801	Washer, Lock 5/16	1
7.	10054	Nut 5/16-18	1
8.	56106	Tray W/ Lid, Water Tank	1
9.	56107	Strainer, Water Tank	1
10.	10314	Screw, Cap 1/4-20 x 1-3/4	2
11.	10602	Washer, Flat 1/4	4
12.	10011	Spacer, Steel 5/8 x 3/8 x 3/8	4
13.	10015	Nut, Lock 1/4-20	2
14.	10744	Valve, HD 4-Way 3/8FPT	1
15.	50078	Conn., Swivel Fem.3/4NH x 1/2FPT	1
16.	50039	Elbow, Male 3/8 x 1/2NPT x 90	1
17.	10753	Pipe Coupling 3/8NPT	1
18.	10761	Pipe Nipple 3/8NPT x 1-1/2	1
19.	10754	Pipe Plug 3/8NPT	1
20.	10736	Barb Elbow 90, 3/8Hose x 3/8MPT	3
21.	50069	Clamp, Hose Adj. 5/16 to 7/8"	6
22.	50220	Hose 3/8"ID x 36"L	1
23.	56108	Hose 3/8"ID x 24"L	1
24.	10015	Nut, Lock 1/4-20	4
25.	10602	Washer, Flat 1/4	4
26.	56101	Pump, Water 12 VDC (Duplex)	1
	56101-S1	Pump Head Replacement Only	
27.	50032	Barb, 3/8Hose x 3/8MPT	1
28.	56109	Hose 3/8"ID x 7"L	1
29.	10765	Barb Elbow 90, 3/8Hose x 1/2MPT	1
30.	10780	Connector, Male 3/4NH x 1/2FPT	1
31.	10758	Screen, Hose Filter	1
32.	10778	Connector, Fem. 3/4Hose x 1/2MPT	1
33.	10689	Pipe Plug 1/2 NPT	1
34.	10021	Screw, Cap 3/8-24 x 1	2
35.	10025	Washer, Flat 3/8	4
36.	10811	Washer, Lock 3/8	2
37.	10014	Nut 3/8-24	2

FIG. 3: BLADE GUARD ASSEMBLY



Item #	Part #	Description	Qty.
1.	56110	Guard, Blade 16"	1
2.	51027	Flap, Splash 2-1/2 x 6	1
3.	10015	Nut, Lock 1/4-20	1
4.	10602	Washer, Flat 1/4	1
5.	10018	Screw, Cap 1/4-20 x 3/4	1
6.	10018	Screw, Cap 1/4-20 x 3/4	4
7.	10013	Nut 1/4-20	8
8.	3636	Spring, Extension 6"L	2
9.	10789	Nozzle, Spray 1/8MPT W/ Filter	2
10.	56111	Body, Coolant Nozzle	1
11.	50075	Barb, 3/8Hose x 1/4MPT	1
12.	10021	Screw, Cap 3/8-24 x 1	1
13.	10025	Washer, Flat 3/8	1
14.	10811	Washer, Lock 3/8	1
15.	10014	Nut 3/8-24	1
16.	56112	Nozzle, Coolant (Optional)	1
17.	10409	Screw, Cap 1/2-20 x 4-1/2	1
18.	10312	Washer, Flat 1/2	2
19.	10802	Bolt, Carr. 3/8-16 x 1	1
20.	10025	Washer, Flat 3/8	2
21.	10811	Washer, Lock 3/8	1
22.	10404	Nut 3/8-16	1
23.	10304	Screw, Cap 1/2-20 x 1	1