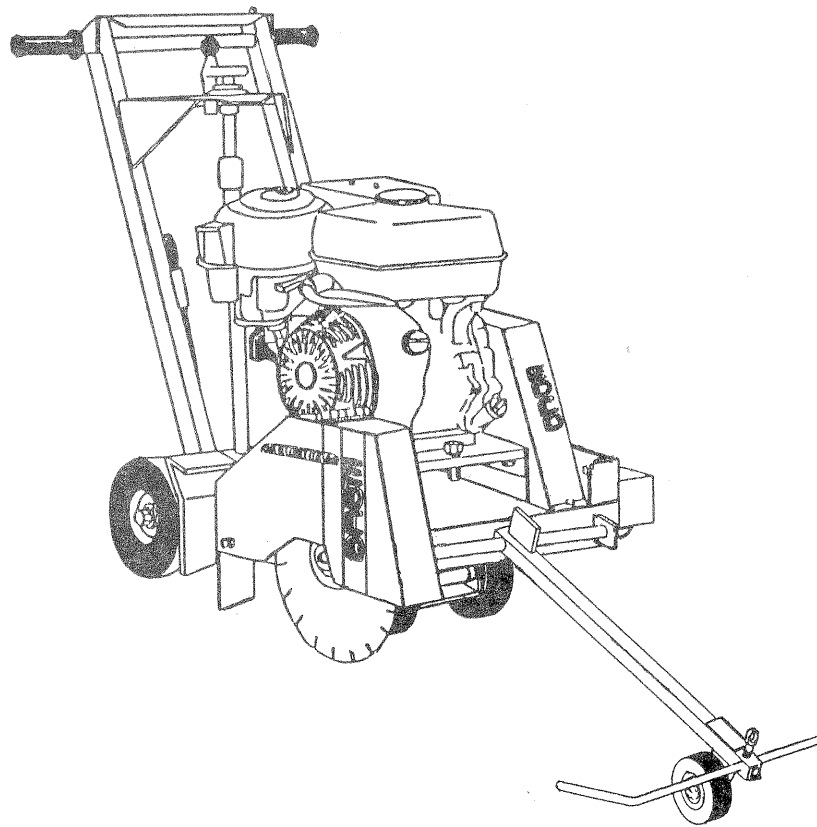


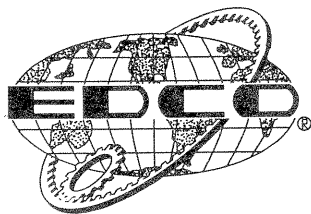
REVISED AUGUST 1998
STARTING SERIAL # 20021

CONCRETE / ASPHALT SAW

PARTS LIST MANUAL



Model DS-16A



EQUIPMENT DEVELOPMENT COMPANY, INC.
100 THOMAS JOHNSON DRIVE, FREDERICK, MARYLAND 21702-4600 USA
PHONE (301)663-1600 TOLL FREE 1-800-638-3326
FAX (301)663-1607 FAX FREE 1-800-447-3326
WEBSITE: www.edcoinc.com EMAIL: sales@edcoinc.com



READ AND UNDERSTAND THE INSTRUCTIONS THOROUGHLY BEFORE ATTEMPTING TO OPERATE THIS EQUIPMENT.

Death or serious injury could occur if the machine is used improperly.



SAFETY MESSAGE



The safety instructions are preceded by a graphic alert message of DANGER, WARNING or CAUTION.



A safety instruction that advises that death or serious injury will result if instructions are not followed and caution exercised.



A safety instruction that advises that death or serious injury can result if instructions are not followed and caution exercised.



A safety instruction that advises that injury could result if instructions are not followed.



GENERAL SAFETY PRECAUTIONS



- Read and understand the instructions, including the engine manual. Different models may have different parts and controls.
- Equipment should only be operated by trained personnel in good physical condition and mental health (not fatigued). The operator and maintenance personnel must be physically able to handle the bulk weight and power of this equipment.
- This is a one person tool. Maintain a safe operating distance to other personnel.
- This equipment is intended for commercial use.
- Never let equipment run unattended.
- Do not lend or rent equipment without including the operation instructions for the machine and the engine.
- Do not modify the machine. Use only genuine EDCO parts and accessories. Repairs and service should be performed by approved EDCO dealers/repair technicians.
- Stop engine/motor when adjusting, servicing or fueling.
- Wear proper attire including safety shoes, hard hat (when appropriate for the job), hearing protection, non-fogging vented safety goggles or face screen and dust respirator (when dry cutting).



WARNING



The engine exhaust from this product contains chemicals known to the State of California to cause cancer, birth defects or other reproductive harm.

This equipment will create dust from the material being removed. That dust may contain a chemical known to the State of California to cause cancer and/or birth defects or other reproductive harm. As an example, paints and concrete contain chemicals known to the State of California to cause cancer and/or birth defects or other reproductive harm. Check the chemical properties of the material to be removed and take appropriate precautions.

It is the operator's responsibility to keep other people (workers, pedestrians, bystanders, etc.) away during operation. Block off the work area in all directions with roping, safety netting, etc. for a safe distance. Failure to do so may result in others being injured by flying debris or exposing them to harmful dust and noise.

This saw was designed for use with steel core diamond blades only. The operator assumes full responsibility for using any other type of blade. EDCO does NOT recommend the use of abrasive blades.

Maintain a safe operating distance from flammable materials. Sparks from the cutting-action of this machine can ignite flammable materials or vapors.



Always keep all guards in place during operation for the operator's safety and the safety of others.



Keep body parts and loose clothing away from moving parts. Failure to do so could result in dismemberment or death.



GASOLINE POWERED EQUIPMENT:



The engine exhaust from this product contains chemicals known, in certain quantities, to cause cancer, birth defects or other reproductive harm.



Gasoline is extremely flammable and poisonous. It should only be dispensed in well ventilated areas, and with a cool engine.



Do not operate gasoline powered equipment without adequate ventilation. Carbon monoxide is an invisible, odorless gas that can kill.



ELECTRIC POWERED EQUIPMENT:



ELECTRICAL HAZARD - Be sure equipment is properly grounded. Failure to comply could kill or result in serious injury.



PLEASE FILL IN INFORMATION AND SAVE

Date of Purchase _____

Name of Machine _____

Model # _____

Serial # _____

Belt Size(s) _____

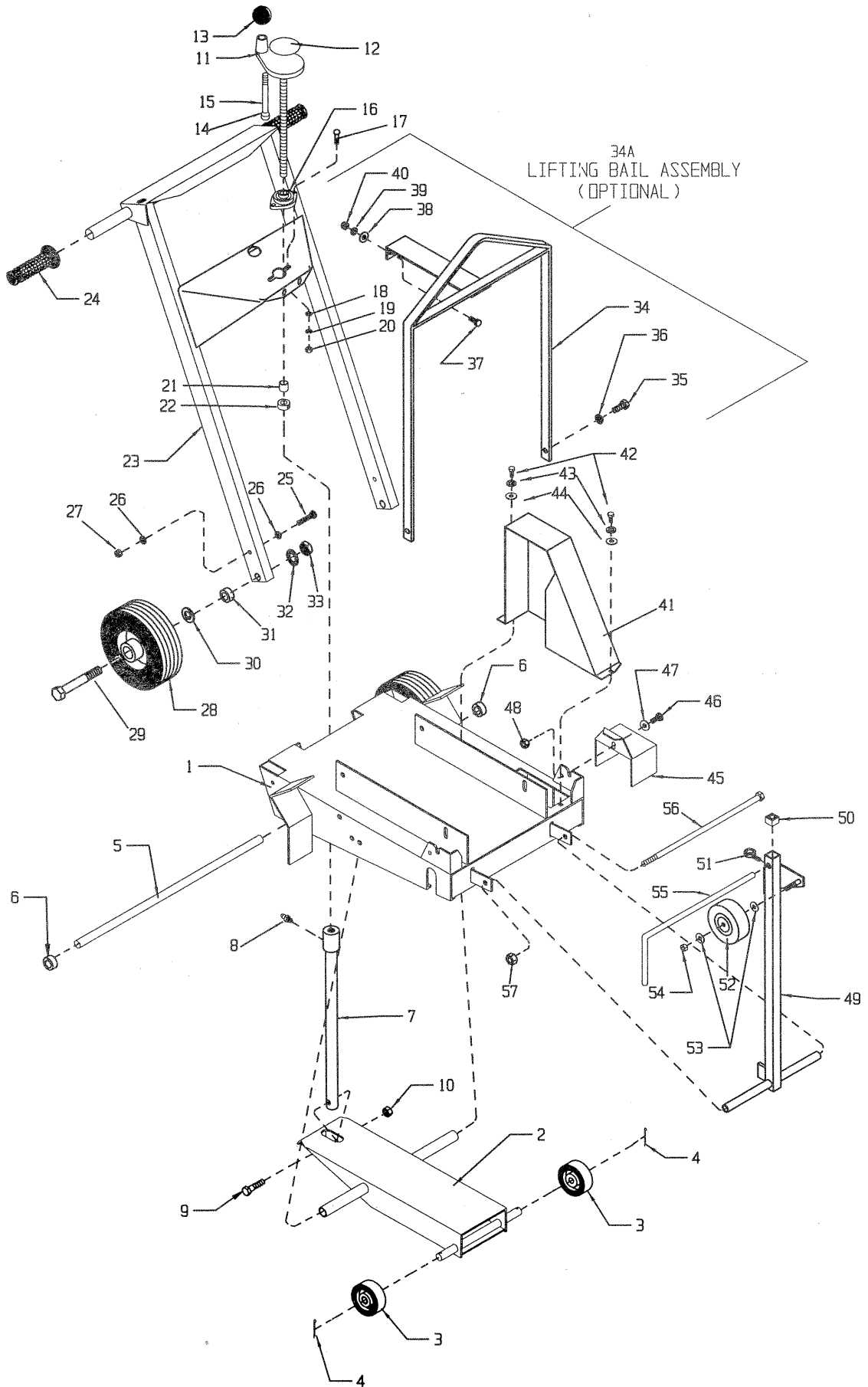
HOW TO ORDER REPAIR PARTS

- To insure product safety and reliability, always use genuine EDCO replacement parts when making repairs to the equipment.
- When ordering parts, please specify the MODEL and SERIAL NUMBER of the machine as given on the NAME PLATE. In addition, give part number, description and quantity as listed on the parts list.
- Please note: Due to improvements and changes in the equipment, the illustrations shown may be different than the actual machine.

TABLE OF CONTENTS

GENERAL SAFETY PRECAUTIONS.....	1
HOW TO ORDER REPAIR PARTS.....	2
ILLUSTRATION 1: MAIN ASSEMBLY GROUPING.....	3
PARTS LISTING – ILLUSTRATION 1: MAIN ASSEMBLY GROUPING.....	4
ILLUSTRATION 2: ARBOR & BLADE GUARD GROUPING.....	5
PARTS LISTING – ILLUSTRATION 2: ARBOR & BLADE GUARD GROUPING.....	6
ILLUSTRATION 3: ENGINE GROUPING.....	7
PARTS LISTING – ILLUSTRATION 3: ENGINE GROUPING.....	8
ILLUSTRATION 4: MOTOR GROUPING.....	9
PARTS LISTING – ILLUSTRATION 4: MOTOR GROUPING.....	10
LIMITED EQUIPMENT WARRANTY (BACK PAGE).....	11

ILLUSTRATION 1 : MAIN ASSEMBLY GROUPING



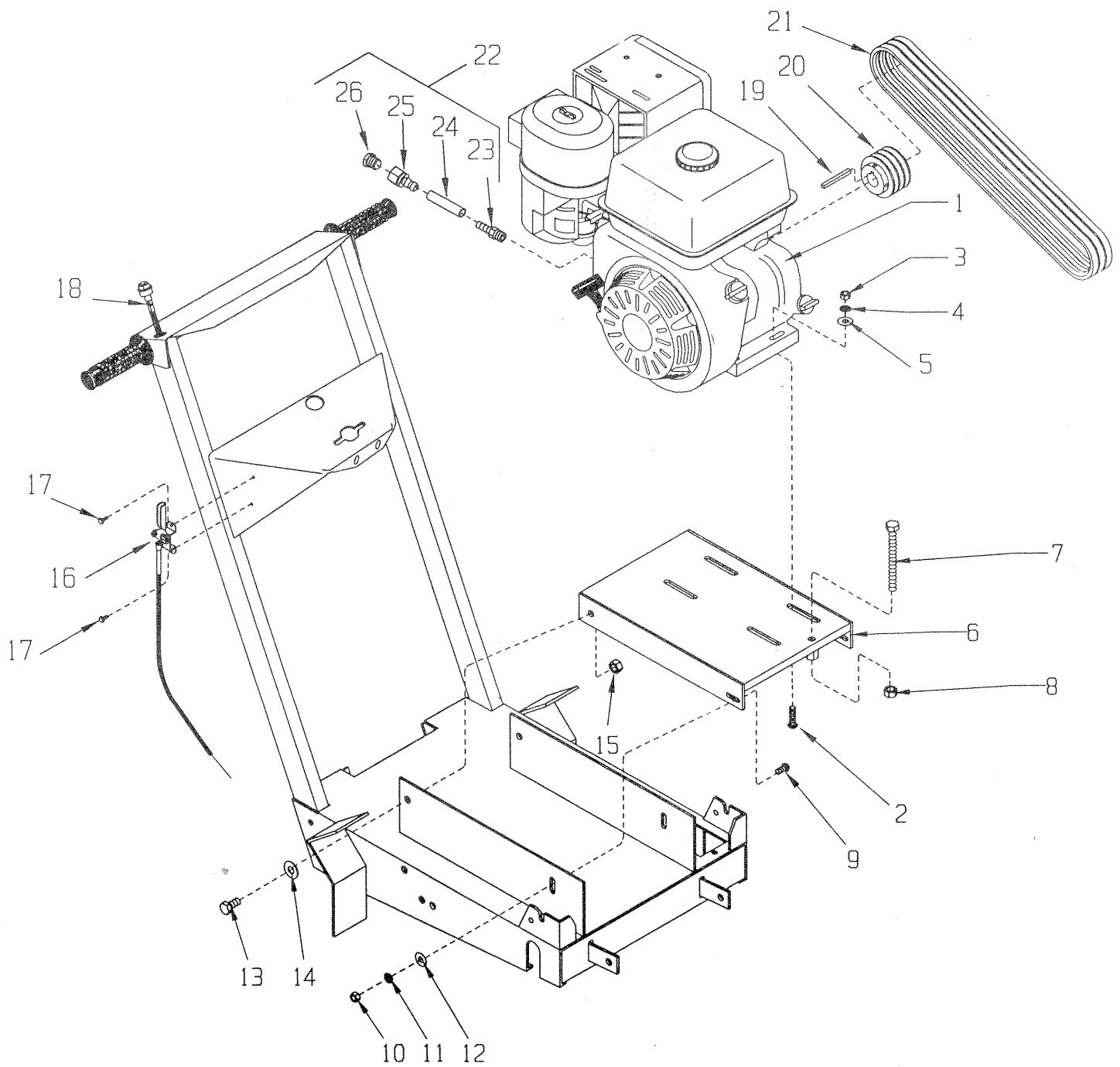
PARTS LISTING – ILLUSTRATION 1: MAIN ASSEMBLY GROUPING

ITEM #	PART #	DESCRIPTION	QTY.	ITEM #	PART #	DESCRIPTION	QTY.
1	56201	MAIN FRAME	1	33	10429	NUT, JAM ¾ - 16	2
2	56202	FORK	1	34A	56207A	BAIL ASSY., LIFTING (OPT.) ITEMS 34 THRU 40	1
3	52001	WHEEL 4 x 1-1/2 x ¾" BRG. ALUM.	2	34	56207	BAIL, LIFTING (OPTIONAL)	1
4	10306	PIN, COTTER 3/16 x 1-1/4	2	35	10321	SCREW, CAP ½ - 20 x 1-1/4 (OPT.)	2
5	56211	SHAFT, FORK ¾ DIA. x 18 - 7/8	1	36	10045	WASHER, LOCK ½ (OPTIONAL)	2
6	10428	COLLAR, LOCKING ¾" ID	2	37	10021	SCREW, CAP 3/8 - 24 x 1 (OPTIONAL)	2
7	56204	LINKAGE, CUT CONTROL	1	38	10025	WASHER, FLAT 3/8 (OPTIONAL)	2
8	10808	FITTING, GREASE ¼-28 STRAIGHT	1	39	10811	WASHER, LOCK 3/8 (OPTIONAL)	2
9	10322	SCREW, CAP ½-20 x 2	1	40	10014	NUT 3/8 - 24 (OPTIONAL)	2
10	10205	NUT, LOCK ½-20	1	41	56206	COVER, BELT	1
11	51075	HANDWHEEL, LRG. 5/8-8 x 12" ROD	1	42	10053	SCREW, CAP 5/16 - 18 x ¾	2
12	61106	DECAL, "CUT CONTROL" (LARGE)	1	43	10801	WASHER, LOCK 5/16	2
13	14023	KNOB, BALL 1-3/8 DIA. ½-13 THD.	1	44	10213	WASHER, FLAT 5/16	2
14	50550	SLEEVE, TAPERED	1	45	51010	COVER, ARBOR	1
15	10346	SCREW, SKT. HD. ½-13 x 4-1/2	1	46	10166	SCREW, CAP 3/8 - 24 x ¾	1
16	80009	BEARING, BALL 5/8" 2-HOLE FLANGE	1	47	10025	WASHER, FLAT 3/8	1
17	10412	BOLT, CARRIAGE ¼-20 x 1	2	48	10004	NUT, LOCK 3/8 - 24	1
18	10213	WASHER, FLAT 5/16	2	49	56210	GUIDE BAR	1
19	10602	WASHER, FLAT ¼	2	50	51078	PLUG, SQ. TUBE 1x 14 GA., BLACK	1
20	10861	NUT, KEPS ¼-20	2	51	51079	BOLT, EYE 3/8 - 16 x 1 x 5/8" ID	1
21	55010	SPACER, HANDWHEEL 5/8" ID x ¾	1	52	50024	WHEEL, 4 x 1 - 3/8 x 3/8" BORE	1
22	10096	COLLAR, LOCKING 5/8" ID	1	53	10025	WASHER, FLAT 3/8	2
23	56203	HANDLE BAR	1	54	10004	NUT, LOCK 3/8 - 24	1
24	61108	GRIP, HAND 1" MODEL SX	2	55	51012	GUIDE, FRONT	1
25	10029	SCREW, CAP 3/8-24 x 1-3/4	2	56	10421	SCREW, CAP ½ - 13 x 13	1
26	10025	WASHER, FLAT ¼	4	57	10407	NUT, LOCK ½ - 13	1
27	10004	NUT, LOCK 3/8 - 24	2				
28	79013	WHEEL, 8 x 2-1/2 x ¾" BRG.	2				
29	56216	AXLE BOLT ¾ - 16 x 5	2				
30	10009	WASHER, FLAT ¾	2				
31	10428	COLLAR, LOCKING ¾" ID	2				
32	10609	WASHER, LOCK, INT. TOOTH ¾	2				

PARTS LISTING – ILLUSTRATION 2 : ARBOR AND BLADE GUARD GROUPING

ITEM #	PART #	DESCRIPTION	QTY.
1	56208A	ARBOR ASSEMBLY COMPLETE (INCLUDES ITEMS 2 THRU 13)	
2	56208	ARBOR SHAFT 23-3/8"L	1
3	10071	KEY ¼ SQ. x 2-½	1
4	50222	BEARING, BALL 1" TAPPED PILLOW BLOCK	2
5	10907	SCREW, CAP 3/8-16 x ¾	4
6	10811	WASHER, LOCK 3/8	4
7	10025	WASHER, FLAT 3/8	4
8	10211	PIN, ROLL 5/16 x 2	2
9	56026	ARBOR, BACKING PLATE 4"	2
10	56025	ARBOR, BLADE RETAINING CAP 4"OD W/ 1" HOLE	2
11	55009	WASHER, LOCK, INT. TOOTH 1"	2
12	50019	NUT, JAM 1-14	2
13	80027	SHEAVE 3" OD x 3Gr.A x 1" BORE	1
14	50445	WRENCH, ARBOR 1-½	2
15		BLADE GUARD ASSEMBLY COMPLETE (INCLUDES ITEMS 16 THRU 22)	
	51005C	16" BLADE GUARD ASSY. (STANDARD)	
	51039C	18" BLADE GUARD ASSY. (OPTIONAL)	
16		BLADE GUARD ONLY	1
	51005	16" BLADE GUARD (STANDARD)	
	51039	18" BLADE GUARD (OPTIONAL)	
17	3636	SPRING, EXT. 6" L	2
18	10013	NUT ¼-20	4
19	10861	NUT, KEPS ¼-20 (NOT SHOWN)	4
20	10018	SCREW, CAP ¼-20 x ¾	4
21	10729	BARB, 3/8 HOSE x ½ FPT	1
22	51026	NOZZLE, COOLANT	1
23	51027	FLAP, SPLASH 2-½ x 6	1
24	10018	SCREW, CAP ½-20 x ¾	1
25	10602	WASHER, FLAT ¼	2
26	10015	NUT, LOCK ¼-20	1
27	10802	BOLT, CARRIAGE 3/8-16 x 1	1
28	10025	WASHER, FLAT 3/8	1
29	10811	WASHER, LOCK 3/8	1
30	10404	NUT 3/8-16	1
31	10409	SCREW, CAP ½-20 x 4-½	1
32	10045	WASHER, LOCK ½	1
33	10312	WASHER, FLAT ½	1
34	56023	HOSE, WATER 3/8" ID x 45" L	1
35	50069	CLAMP, HOSE, SIZE M6, ADV. TO 13/16"	2
36	56022	BRACKET, WATER VALVE	1
37	10846	SCREW, SELF-TAP HEX WASHER ¼-20 x ½	2
38	10799	BARB ELBOW 90°, 3/8 HOSE x ¼ MPT	1
39	10711	VALVE, BALL ½ FPT	1
40	80021	CONN., SWIVEL FEM. ¾ HOSE x ½ MPT	1
41	10070	WASHER, HOSE ¾	1
42	10304	SCREW, CAP ½-20 x 1	2

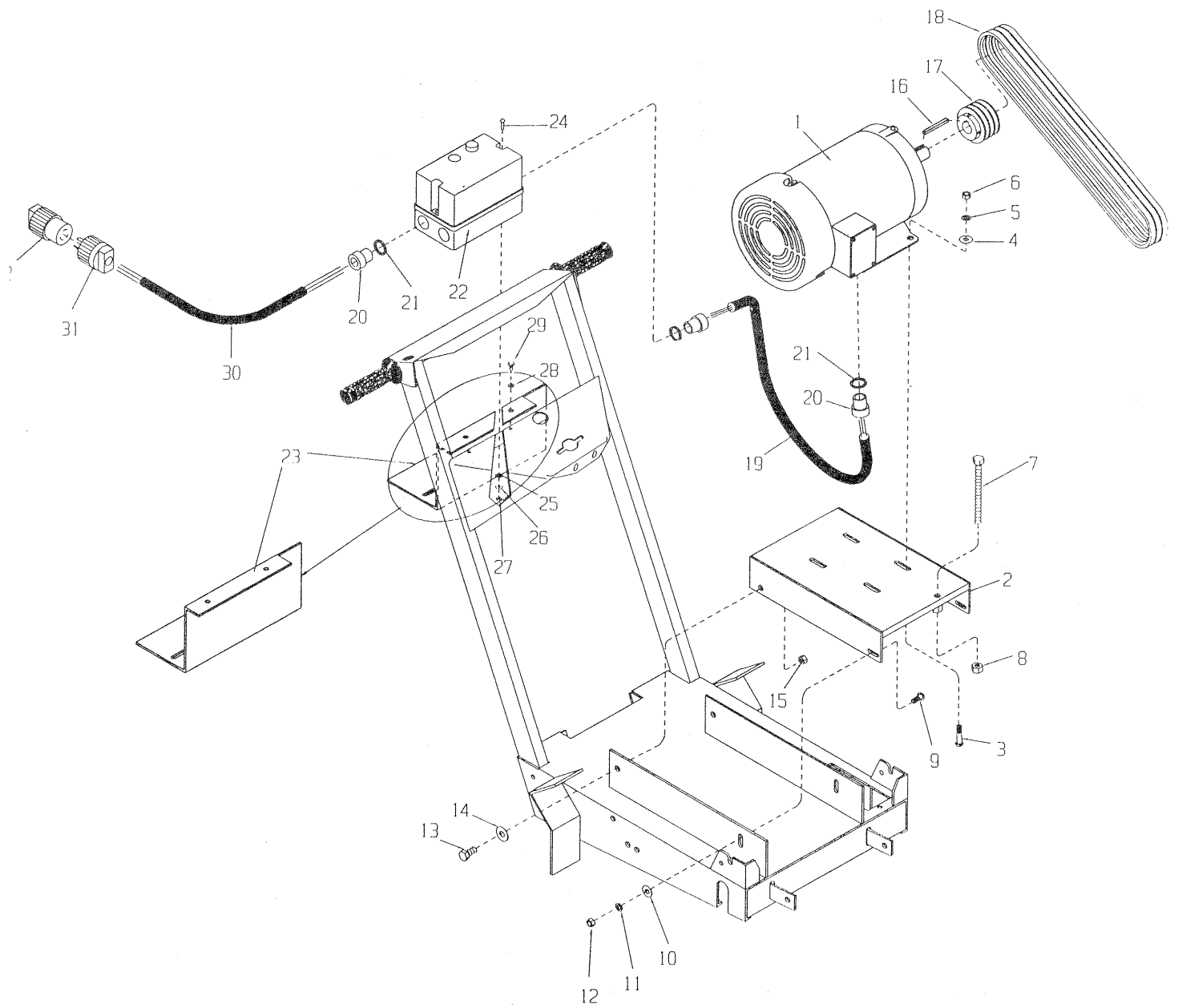
ILLUSTRATION 3 : ENGINE GROUPING



**PARTS LISTING - ILLUSTRATION 3:
ENGINE GROUPING**

ITEM #	PART #	DESCRIPTION	QTY.
1		ENGINE	1
	79045	HONDA 11HP GX340 (SHOWN)	
	15029	HONDA 13HP GX390	
2	10087	BOLT, CARRIAGE 3/8-16 x 1-3/4	4
3	10404	NUT 3/8-16	4
4	10811	WASHER, LOCK 3/8	4
5	10025	WASHER, FLAT 3/8	4
6	56212	MOUNT, ENGINE	1
7	10373	BOLT, TAP 1/2-13 x 5 (FULL THREAD)	1
8	10417	NUT 1/2-13	1
9	10802	BOLT, CARRIAGE 3/8-16 x 1	2
10	10404	NUT 3/8-16	2
11	10811	WASHER, LOCK 3/8	2
12	10025	WASHER, FLAT 3/8	2
13	10321	SCREW, CAP 1/2-20 x 1-1/4	2
14	10312	WASHER, FLAT 1/2	2
15	10205	NUT, LOCK 1/2-20	2
16	40388	CABLE, THROTTLE CONTROL, LEVER-TYPE 24"	1
17	10877	SCREW, SELF-TAP HEX WASHER 10-24 x 1/2	2
18	50010	SWITCH KIT, STOP BUTTON, 7/8" HOLE	1
19	10307	KEY 1/4 SQ. x 2-1/4	1
20	80027	SHEAVE, 3" OD x 3GR. A x 1" BORE	1
21	10249	BELT AX-31	3
22	40328	OIL DRAIN KIT, HONDA (INCLUDES ITEMS 23 THRU 26)	
23	11542	BARB, PUSH-ON 3/8 HOSE x 12mm x 1.50 MALE	1
24	56116	HOSE, PUSH-ON 3/8" ID x 3-1/2"L	1
25	11544	BARB, PUSH-ON 3/8 HOSE x 1/4 FPT	1
26	10776	PIPE PLUG 1/4 NPT (BRASS)	1

ILLUSTRATION 4: MOTOR GROUPING



PARTS LISTING - ILLUSTRATION 4: MOTOR GROUPING

ITEM #	PART #	DESCRIPTION	QTY.
1		MOTOR	1
	81026	BALDOR 5 HP-1 PH, 60Hz, 3450 RPM	
	81022	BALDOR 5 HP-3 PH, 60Hz, 3450 RPM	
	16020	BALDOR 5 HP-3 PH, 50Hz, 2850 RPM	
2	56214	MOUNT, MOTOR	1
3	10804	BOLT, CARRIAGE 3/8-16 x 1/2	4
4	10025	WASHER, FLAT 3/8	4
5	10811	WASHER, LOCK 3/8	4
6	10404	NUT 3/8-16	4
7	51067	BOLT, ALLTHREAD ROD 1/2-13 x 6-1/2	1
8	10417	NUT 1/2-13	1
9	10802	BOLT, CARRIAGE 3/8-16 x 1	2
10	10025	WASHER, FLAT 3/8	2
11	10811	WASHER, LOCK 3/8	2
12	10404	NUT 3/8-16	2
13	10321	SCREW, CAP 1/2-20 x 1-1/4	2
14	10312	WASHER, FLAT 1/2	2
15	10205	NUT, LOCK 1/2-20	2
16	10071	KEY 1/4" SQ. x 2-1/2	2
17	81006	SHEAVES 3"OD x 3Gr.A x 1-1/8 BORE	1
18	81007	BELT AX-33	3
19		WIRE HARNESS (SEE NOTE)	
	56118	10/3 x 46" LOA	1
	56119	12/4 x 46" LOA	1
20	10605	CONNECTOR, STRAIN RELIEF 3/4NPT x .650-.750" RANGE	3
21	10740	CONDUIT LOCK NUT 3/4 NP	3
22	85045	STARTER CA3-30 W/ LARGE ENCLOSURE (SPECIFY H.P., PHASE, VOLTS, AMPS, & Hz)	1
23	56215	BRACKET, STARTER MOUNT	1
24	10362	SCREW, MACHINE 8-32 x 3/4	2
25	10850	WASHER, FLAT #10	2
26	10461	WASHER, LOCK, INT. TOOTH #8	2
27	10462	NUT 8-32	2
28	10038	WASHER, LOCK 1/4	2
29	10846	SCREW, SELF-TAP HEX WASHER 1/4-20 x 1/2	2
30		WIRE HARNESS (SEE NOTE)	1
	86026	10/3 x 24" LOA	
	86022	12/4 x 24" LOA	
31	40037	PLUG, LOCKING 20A/250V (SEE NOTE)	1
32	40000	PLUG CONNECTOR, LOCKING 20A/250V (SEE NOTE)	1

*** NOTE:**

Plug and Connector (Items 31 & 32) are not supplied on 3 phase units.

1 - Phase unit use 10/3 Wire Harness

3 - Phase unit use 12/4 wire harness

LIMITED EQUIPMENT WARRANTY

Equipment Development Company, Inc. herein referred to as EDCO warrants that each new unit manufactured by EDCO to be free from defects in material and workmanship in normal use and service for a period of (1) one year (except in the case of the cutter drum assembly on all model concrete asphalt planes, in which case the warranty period shall be 90 days) from date of shipment to the original retail or equipment rental center owner.

EDCO will, at its option, repair or replace, at the EDCO factory or at a point designated by EDCO any part, which shall appear to the satisfaction of EDCO inspection to have been defective in material or workmanship.

This warranty, does not apply to failure occurring as a result of abuse, misuse, negligent repairs, corrosion, erosion, normal wear and tear, alterations or modifications made to the product without express written consent of EDCO; or failure to follow the recommended operating practices and maintenance procedures as provided in the products operating and maintenance manuals.

This warranty does not obligate EDCO to bear any transportation charges in connection with the replacement or repair of defective parts. This warranty does not obligate EDCO to bear any expense for travel time or of personnel in correction with any service calls.

Accessories or equipment furnished and installed on the product by EDCO but manufactured by others, including but not limited to engines, motors, electrical equipment, transmissions, etc., shall carry the accessory manufacturers' own warranty.

THIS WARRANTY IS IN LIEU OF ALL OTHER WARRANTIES, EXPRESSED OR IMPLIED, OR STATUTORY, INCLUDING ANY WARRANTIES OF MERCHANTABILITY OR OF FITNESS FOR A PARTICULAR PURPOSE.

LIABILITY LIMITATIONS

The remedies of the user set forth under provisions of warranty outlines above are the exclusive and total liability of EDCO with the respect to their sale or the equipment and service furnished hereunder, in connection with the performance or breach thereof, or from the sale, delivery, installation, repair or technical direction covered by or furnished under the sale, whether based on contract, warranty, negligence, indemnity, strict liability, or otherwise shall not exceed the purchase price of the unit of equipment upon which such liability is based.

EDCO will not in any event be liable to the user, any successors in interest or any beneficiary or assignee relating to this sale for any consequential, incidental, indirect, special or punitive damages arising out of this sale or any breach thereof, or any defects on, or failure of, or malfunction of the equipment under this sale based upon loss of use, lost profits or revenue, interest, lost goodwill, work stoppage, impairment of other goods, loss by reason of shutdown or non-operation, increased expenses of operation of the equipment, cost of purchase or replacement power of claims of users or customers of the user for service interruption whether or not such loss or damage is based on contract, warranty, negligence, indemnity, strict liability, or otherwise.

EDCO reserves the right to modify, alter and improve any part or parts without incurring any obligation to replace any part or parts previously sold without such modified, altered or improved part or parts.

No person is authorized to give any other warranty or to assume any additional obligation on EDCO's behalf unless made in writing and signed by an officer of EDCO.

Equipment Development Company, Inc.

Printed in USA



EQUIPMENT DEVELOPMENT COMPANY, INC.

100 THOMAS JOHNSON DRIVE, FREDERICK, MD 21702-4600 USA
Phone (301) 663-1600 • 1-800-638-3326 Fax (301) 663-1607 • 1-800-447-3326 Website: www.edcoinc.com Email: sales@edcoinc.com ©1998