

Revised Starting Serial # 060410330

PARTS MANUAL

Model DS-16A



18" DOWNCUT CONCRETE/ASPHALT WALK BEHIND SAWS

SKU NO.	MODEL	POWER OPTION
48300	DS16A-11H	HONDA ENGINE 11 HP GX340K1-QXC9
48400	DS16A-13H	HONDA ENGINE 13 HP GX390K1-QXC9
42100	DS16A-5B/230/1	BALDOR MOTOR 5 HP-1PH-60HZ-230V-19.5FLA
42200-230	DS16A-5B/230/3	BALDOR MOTOR 5 HP-3PH-60HZ-230V-12FLA
42200-460	DS16A-5B/460/3	BALDOR MOTOR 5 HP-3PH-60HZ-460V-6FLA
42200-50/220	DS16A-5B/50/220/3	BALDOR MOTOR 5 HP-3PH-50HZ-220V-13FLA
42200-50/380	DS16A-5B/50/380/3	BALDOR MOTOR 5 HP-3PH-50HZ-380V-7.6FLA
42200-50/440	DS16A-5B/50/440/3	BALDOR MOTOR 5 HP-3PH-50HZ-440V-6.5FLA



100 Thomas Johnson Drive, Frederick, MD 21702-4600 USA

Phone (301) 663-1600 • 1-800-638-3326

Fax (301) 663-1607 • 1-800-447-3326

Website: www.edcoinc.com • Email: sales@edcoinc.com

Printed in USA

©2006

READ AND UNDERSTAND THE OPERATORS INSTRUCTION MANUAL THOROUGHLY BEFORE ATTEMPTING TO OPERATE THIS EQUIPMENT. Death or serious injury could occur if this machine is used improperly.



SAFETY MESSAGES



The safety instructions are preceded by a graphic alert message of DANGER, WARNING, or CAUTION.



Indicates an imminent hazard which, if not avoided, will result in death or serious injury.



Indicates an imminent hazard which, if not avoided, can result in death or serious injury.



Indicates hazards which, if not avoided, could result in serious injury and or damage to the equipment.

GASOLINE Powered Equipment



- Do not operate gasoline powered equipment without adequate ventilation. Carbon monoxide is an invisible, odorless gas that can kill.

ELECTRICAL Powered Equipment



- ELECTRICAL HAZARD** - Be sure equipment is properly grounded. Failure to comply could kill or result in serious injury.



The engine exhaust from this product contains chemicals known to the State of California to cause cancer, birth defects or other reproductive harm.

GENERAL INSTRUCTIONS



- You must read and understand the operators instruction manual and all other manuals associated with this machine. For your safety and the safety of others around you, it is extremely important to fully understand how to operate this machine in the way it was intended. Different model machines or older/newer versions of the same model may have different parts and controls that you need to understand. If instructions are not readable or available DO NOT USE this machine and contact the factory for a replacement Manual.
- You must be able to physically handle the bulk weight and power of this machine. If not properly controlled this machine can cause death or serious injury.
- Do not operate this machine in an impaired mental state. You must be able to exercise good judgement and reactions to maintain a safe working environment.
- This is a "one person" machine which means only one operator can be operating the machine at any one time. For the safety of others, maintain a safe operating distance to other personnel. Your work area should be defined and appropriately marked so bystanders and coworkers do not stand or walk near this machine and end up seriously injured by flying debris or exposing them to harmful noise or dust.
- This equipment is for Commercial use. Although this is a "one person" machine your work team should understand how to shut this machine off and quickly get medical help if an accident strikes the operator.
- Keep all guards in place during operation. The guards are to provide protection from inadvertent contact with dangerous moving parts, pinch points, or hot surfaces.
- Wear appropriate Personal Protective Equipment (PPE) including safety glasses, safety boots, work gloves, respiratory protection, hearing protection, and head protection. Do not wear loose clothing that can get tangled in moving parts. Failure to do so could result

in dismemberment or death. **Wear an approved respirator when removing hazardous materials or when grinding/cutting dry materials. Some dust particles such as concrete dust can contain silicate particles which can cause silicosis (a very serious lung disease). Contact NIOSH or OSHA for further details. When wet grinding/cutting, avoid contact with the concrete/asphalt slurry which can cause serious skin irritations.**

- You must maintain this machine per the maintenance schedule in the operator manual. Remember before adjusting, servicing, or fueling this machine, disconnect the source of power to the machine by disconnecting the spark plug (Gas models), or by unplugging the electrical power cord (electric models) or air hose (Pneumatic models) AT THE MACHINE so you can assure yourself it remains unplugged while you are working on it. Do not modify this machine. Use only genuine EDCO parts and accessories. Repairs and service should be performed by approved EDCO dealers or authorized technicians.
- You should look carefully around the area before you begin work so you can identify potential hazards such as deck inserts, pipes, columns, openings, electrical cords or outlets, or any other objects protruding from the slab surface.
- This machine has no brain so you must use your own. There is no substitute for safety. The safety decals on the machine are to serve as a reminder for information you must already know before you begin using this machine. Take a moment to reread the safety decals each time you use the machine. If your machine is missing any decals, contact the factory for a replacement (EDCO 1-800-638-3326).

PARTS MANUAL

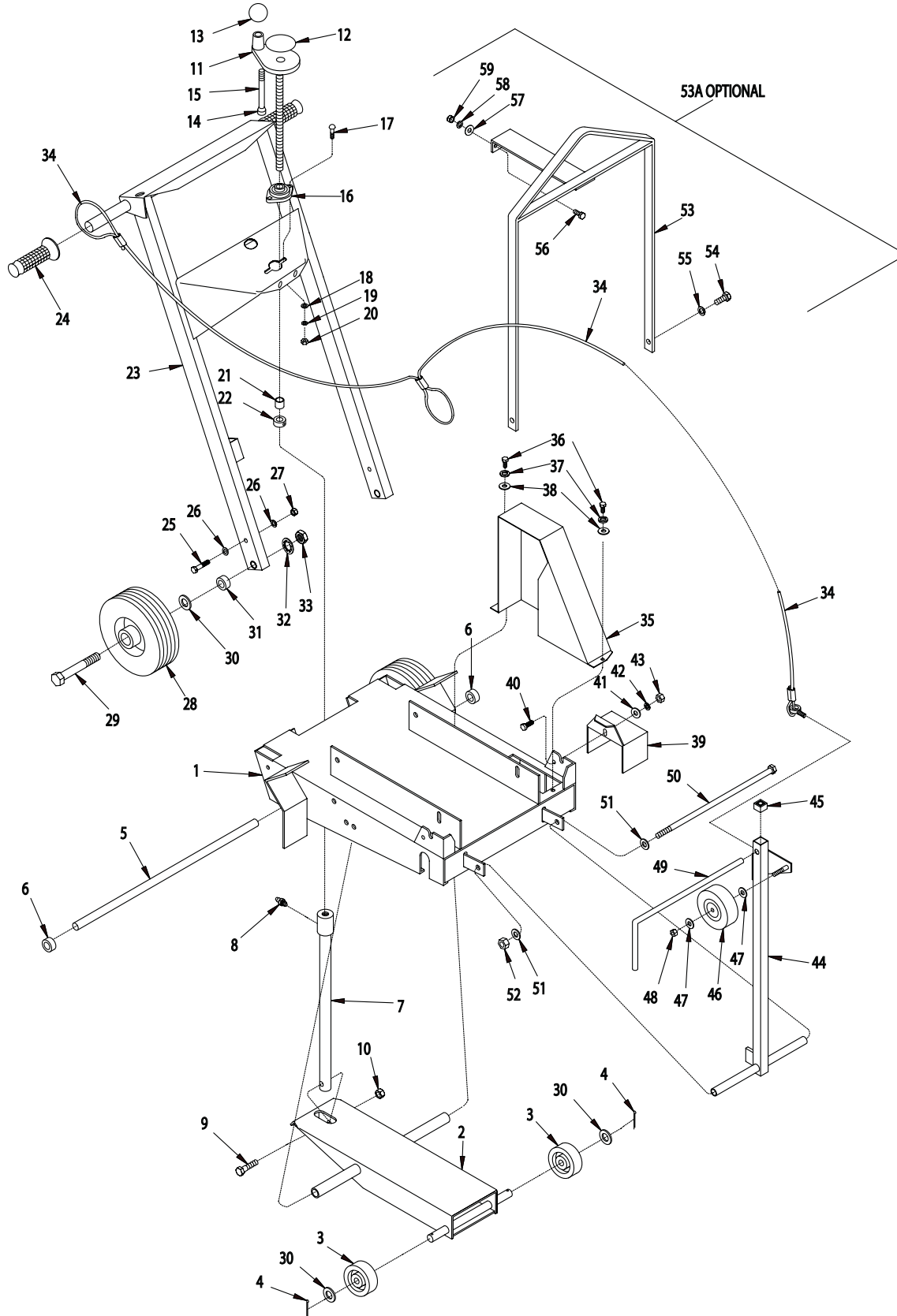
MODEL DS-16A

<u>Section</u>	<u>Page Number</u>
Safety Messages and General Instructions	2
How To Order Replacement Parts	3
Illustration 1: Main Assembly Grouping	4,5
Illustration 2: Arbor & Blade Guard Grouping	6,7
Illustration 3: Engine Grouping	8,9
Illustration 4: Motor Grouping	10,11
Limited Equipment Warranty	Back Page

HOW TO ORDER REPLACEMENT PARTS	FILL IN INFORMATION BELOW
<p><input type="checkbox"/> To insure product safety and reliability, always use genuine EDCO replacement parts when making repairs to the equipment.</p> <p><input type="checkbox"/> When calling for parts, specify the MODEL and SERIAL NUMBER of the machine which can be found on the NAME PLATE. Keep that information in the space provided. In addition to this information, give part number, description and quantity as listed on the parts list to your parts representative.</p> <p><input type="checkbox"/> Please note: Due to improvements and changes in the equipment, the illustrations shown may be different than the actual machine.</p>	<p>Date of Purchase _____</p> <p>Name of Machine _____</p> <p>Model # _____</p> <p>Serial # _____</p> <p>Belt Size(s) _____</p> <p style="text-align: center;">Toll Free: 1-800-638-3326 FAX: 1-800-447-3326 email: sales@edcoinc.com</p> <p style="text-align: center;">www.edcoinc.com</p>



ILLUSTRATION 1 : MAIN ASSEMBLY GROUPING

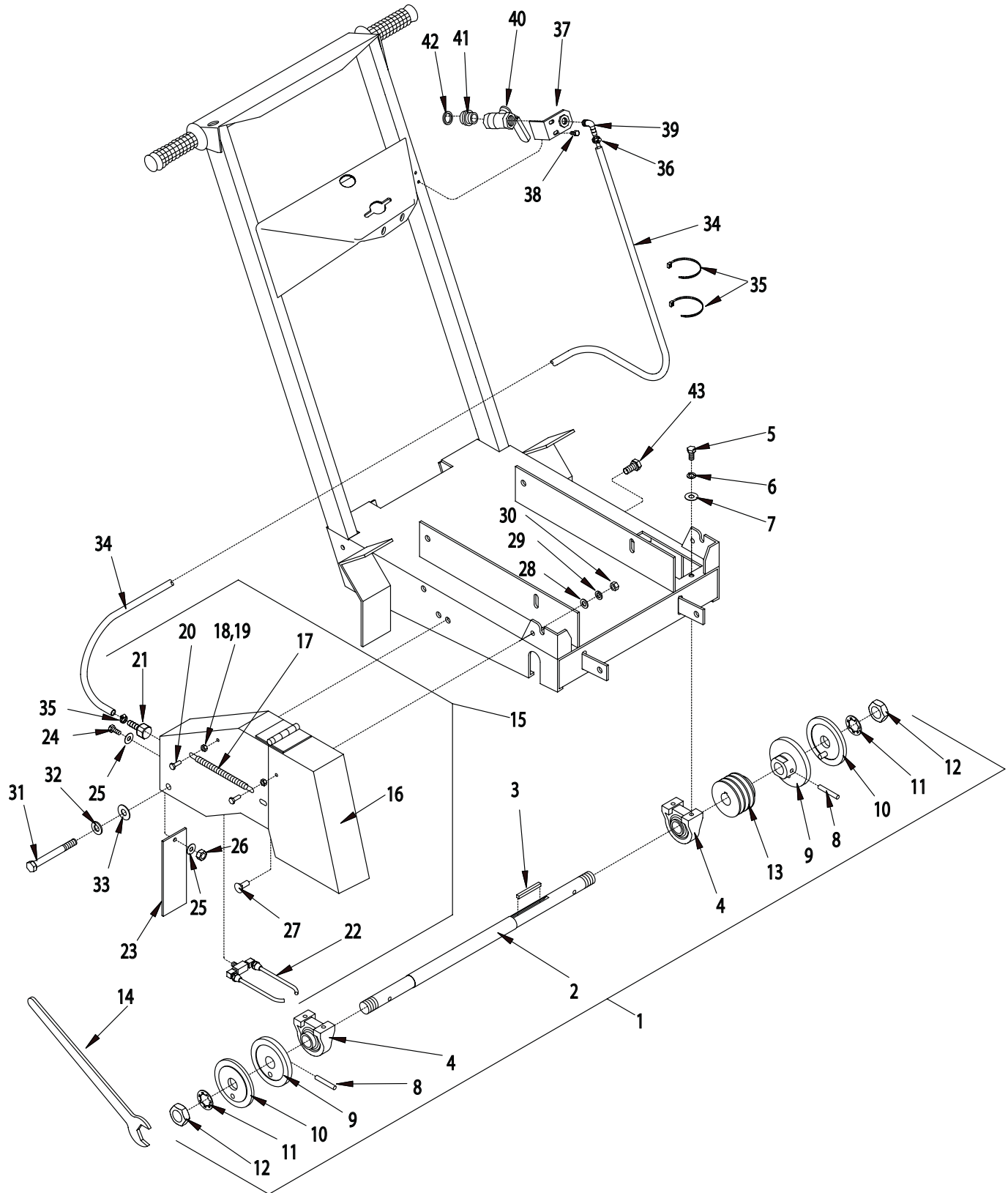


PARTS LISTING - ILLUSTRATION 1: MAIN ASSEMBLY GROUPING

ITEM #	PART #	DESCRIPTION	QTY.	ITEM #	PART #	DESCRIPTION	QTY.
1	56201	MAIN FRAME	1	32	10609	WASHER, LOCK, INT. TOOTH 3/4"	2
2	56202	FORK	1	33	10429	NUT, JAM 3/4-16	2
3	52001	WHEEL 4 X 1-1/2 X 3/4"BRG., ALUM./RUB.	2	34	56221	ROPE, GUIDE BAR	1
4	10306	PIN, COTTER 3/16 X 1-1/4	2	35	56206	COVER, BELT	1
5	56211	SHAFT, FORK 3/4 X 18-7/8	1	36	10053	SCREW, CAP 5/16-18 X 3/4	2
6	10428	COLLAR, LOCKING 3/4"ID	2	37	10801	WASHER, LOCK 5/16	2
7	56204	LINKAGE, CUT CONTROL	1	38	10213	WASHER, FLAT 5/16 SAE	2
8	10808	FITTING, GREASE 1/4-28 STRAIGHT	1	39	51010	COVER, ARBOR	1
9	10322	SCREW, CAP 1/2-20 X 2	1	40	10166	SCREW, CAP 3/8-24 X 3/4	1
10	10205	NUT, LOCK 1/2-20	1	41	10025	WASHER, FLAT 3/8 SAE	1
11	51075	HANDWHEEL, LARGE W/ 5/8-8 X 13"ROD	1	42	10811	WASHER, LOCK 3/8	1
12	61106	DECAL, CUT CONTROL - DN/UP (LARGE)	1	43	10004	NUT, LOCK 3/8-24	1
13	14023	KNOB, BALL 1-3/8 W/ 1/2-13THD, BLK.	1	44	56210	GUIDE BAR	1
14	50550	SLEEVE FOR 1/2" CAPSCREW, TAPERED	1	45	51078	PLUG, SQ. TUBE 1 X 14 GA., BLACK	1
15	10346	SCREW, SKT. HD. 1/2-13 X 4-1/2 ZINC	1	46	50024	WHEEL 4 X 1-3/8 X 3/8"BORE	1
16	80009	BEARING, BALL 5/8" 2-HOLE (NO G.F.)	1	47	10025	WASHER, FLAT 3/8 SAE	1
17	10412	BOLT, CARRIAGE 1/4-20 X 1 FULL THD.	2	48	10004	NUT, LOCK 3/8-24	1
18	10213	WASHER, FLAT 5/16 SAE	2	49	51012	GUIDE POINTER, FRONT	1
19	10602	WASHER, FLAT 1/4 SAE	2	50	10421	SCREW, CAP 1/2-13 X 13	1
20	10861	NUT, KEPS 1/4-20	2	51	10312	WASHER, FLAT 1/2 SAE	1
21	55010	SPACER, HANDWHEEL 5/8"ID X 3/4"L	2	52	10407	NUT, LOCK 1/2-13	1
22	10096	COLLAR, LOCKING 5/8"ID	1	53A	56207A	BAIL ASSY., LIFTING (OPTIONAL) (INCLUDES ITEMS 53-59)	1
23	56203	HANDLE BAR	1	53	56207	BAIL ONLY, LIFTING	1
24	61108	GRIP, HAND 1" MODEL SX	2	54	10321	SCREW, CAP 1/2-20 X 1-1/4	2
25	10029	SCREW, CAP 3/8-24 X 1-3/4	2	55	10045	WASHER, LOCK 1/2	2
26	10025	WASHER, FLAT 3/8 SAE	4	56	10021	SCREW, CAP 3/8-24 X 1	2
27	10004	NUT, LOCK 3/8-24	2	57	10025	WASHER, FLAT 3/8 SAE	2
28	79013	WHEEL 8 X 2-1/2 X 3/4"BRG.	2	58	10811	WASHER, LOCK 3/8	2
29	56216	AXLE BOLT 3/4-16 X 5	2	59	10014	NUT 3/8-24	2
30	10009	WASHER, FLAT 3/4 SAE	4				
31	10428	COLLAR, LOCKING 3/4"ID	2				



ILLUSTRATION 2: ARBOR & BLADE GUARD GROUPING



PARTS LISTING - ILLUSTRATION 2: ARBOR & BLADE GUARD GROUPING			
ITEM #	PART #	DESCRIPTION	QTY.
1	56208E	ARBOR ASSEMBLY COMPLETE (ITEMS 2-13)	1
2	56208	ARBOR SHAFT 23-3/8"L	1
3	10071	KEY 1/4SQ X 2-1/2	1
4	50222	BEARING, BALL 1" TPB	2
5	10907	SCREW, CAP 3/8-16 X 3/4	4
6	10811	WASHER, LOCK 3/8	4
7	10025	WASHER, FLAT 3/8 SAE	4
8	10211	PIN, ROLL 5/16 X 2	2
9	56026	ARBOR BACKING PLATE 4"	2
10	56025	ARBOR BLADE CAP 4"OD W/1"HOLE	2
11	55009	WASHER, LOCK, INT. TOOTH 1"	2
12	50019	NUT, JAM 1-14	2
13	56235	SHEAVE 3.35"OD X 3GR.3V X 1"BORE	1
14	50445	WRENCH, ARBOR, 1-1/2" OPEN END	2
15	51039C	GUARD, BLADE 18", ASSY. COMPLETE (ITEMS 16-26)	1
16	51039	GUARD, BLADE 18"	1
17	3636	SPRING, EXT. 6"L ("A" ADAPTER)	2
18	10013	NUT 1/4-20	4
19	10861	NUT, KEPS 1/4-20	4
20	10018	SCREW, CAP 1/4-20 X 3/4	4
21	10729	BARB, 3/8HOSE X 1/2FPT	1
22	51026	NOZZLE, COOLANT 1/8MPT W/ 6"TUBES	1
23	40012	FLAP, SPLASH 2-1/2 X 7	1
24	10018	SCREW, CAP 1/4-20 X 3/4	1
25	10602	WASHER, FLAT 1/4 SAE	2
26	10015	NUT, LOCK 1/4-20	1
27	10802	BOLT, CARRIAGE 3/8-16 X 1 FULL THD.	1
28	10025	WASHER, FLAT 3/8 SAE	1
29	10811	WASHER, LOCK 3/8	1
30	10404	NUT 3/8-16	1
31	10409	SCREW, CAP 1/2-20 X 4-1/2	1
32	10045	WASHER, LOCK 1/2	1
33	10312	WASHER, FLAT 1/2 SAE	1
34	56023	HOSE, WATER 3/8"ID X 43"L	1
35	10982	TIE, CABLE, BLACK NYLON 11-1/4"	2
36	50069	CLAMP, HOSE, SAE #6, ADJ. TO 13/16	2
37	56022	BRACKET, WATER VALVE	1
38	10846	SCREW, CAP STSHW 1/4-20 X 1/2	2
39	10799	BARB ELBOW 90, 3/8HOSE X 1/4MPT	1
40	10711	VALVE, BALL 1/2 FPT	1
41	80021	CONN., SWIVEL FEM. 3/4HOSE X 1/2MPT	1
42	10070	WASHER, HOSE 3/4 (INCLUDED WITH ITEM 41)	1
43	10304	SCREW, CAP 1/2-20 X 1	1



100 Thomas Johnson Drive, Frederick, MD 21702-4600 USA

Phone (301) 663-1600 • 1-800-638-3326

Fax (301) 663-1607 • 1-800-447-3326

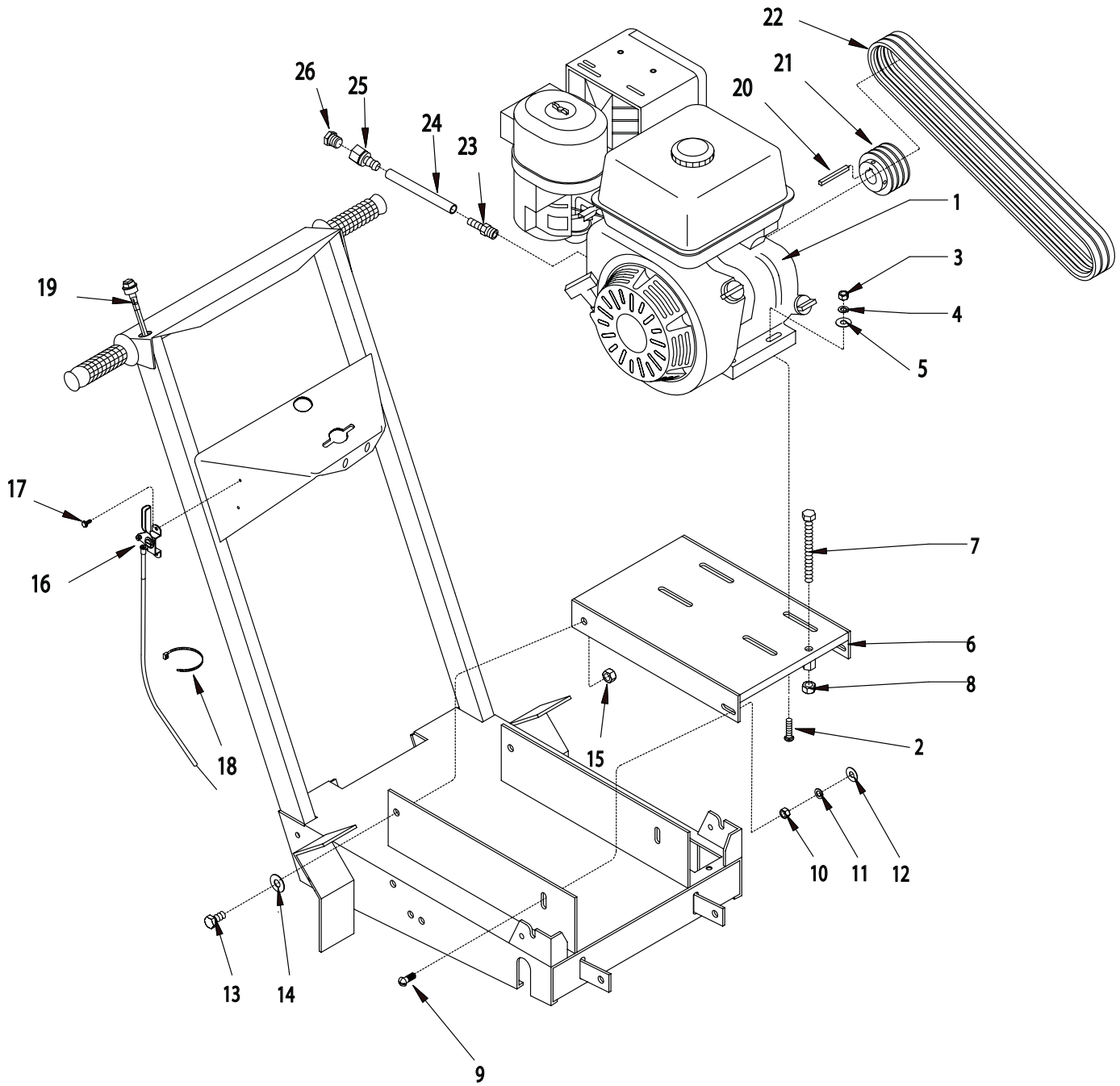
Website: www.edcoinc.com • Email: sales@edcoinc.com

Printed in USA

©2006

Page 7

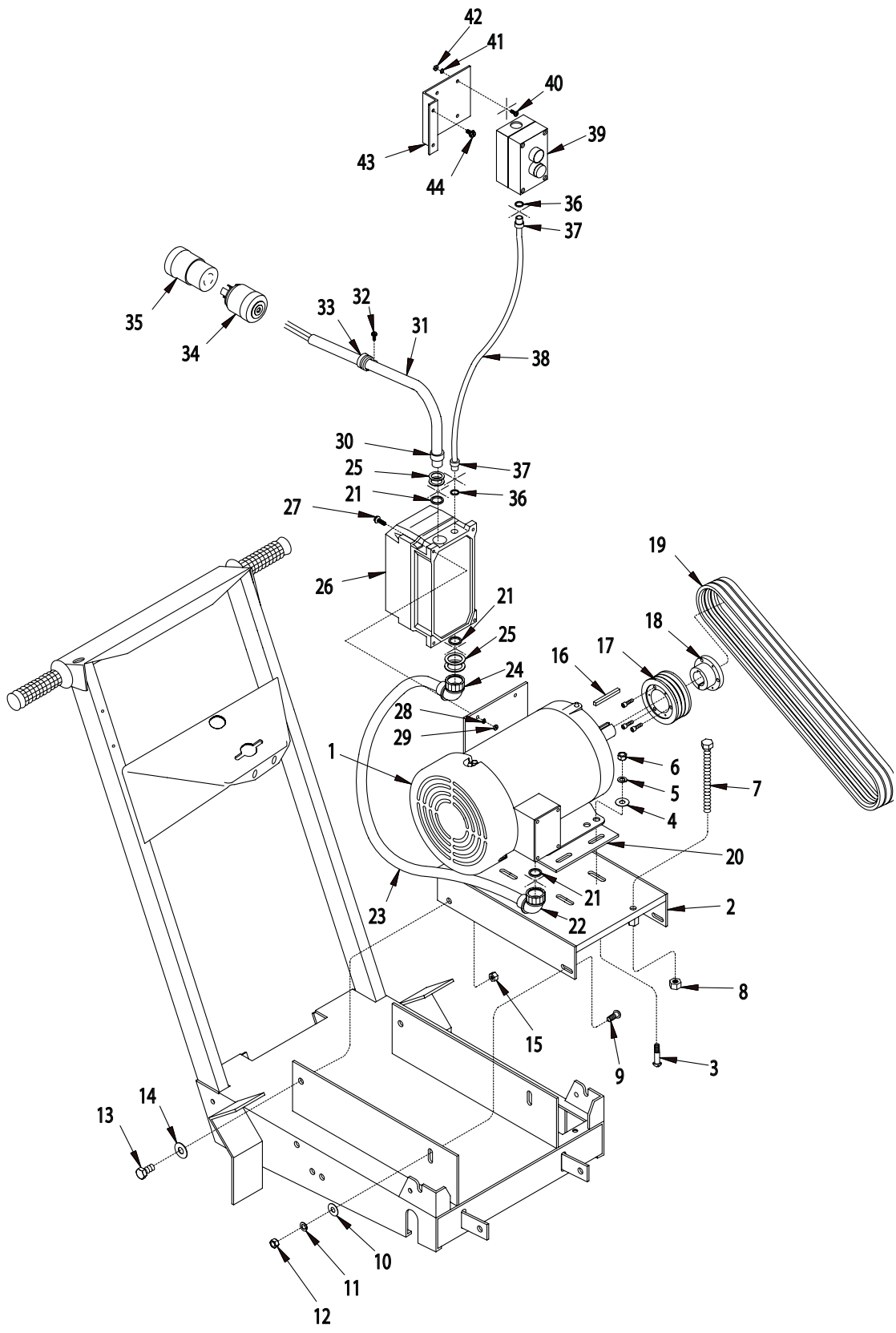
ILLUSTRATION 3: ENGINE GROUPING



PARTS LISTING - ILLUSTRATION 3: ENGINE GROUPING			
ITEM #	PART #	DESCRIPTION	QTY.
1		ENGINE, HONDA	1
	15029	13 HP GX390K1-QXC9	
	79045	11 HP GX340K1-QXC9	
2	10087	BOLT, CARRIAGE 3/8-16 X 1-3/4 F.T.	4
3	10404	NUT 3/8-16	4
4	10811	WASHER, LOCK 3/8	4
5	10025	WASHER, FLAT 3/8 SAE	4
6	56212	MOUNT, ENGINE	1
7	10373	BOLT, TAP 1/2-13 X 5 (FULL THREAD)	1
8	10417	NUT 1/2-13	1
9	10802	BOLT, CARRIAGE 3/8-16 X 1 FULL THD.	2
10	10404	NUT 3/8-16	2
11	10811	WASHER, LOCK 3/8	2
12	10025	WASHER, FLAT 3/8 SAE	2
13	10321	SCREW, CAP 1/2-20 X 1-1/4	2
14	10312	WASHER, FLAT 1/2 SAE	2
15	10205	NUT, LOCK 1/2-20	2
16	40388	CABLE, THROTTLE, LEVER-TYPE 24"	1
17	10877	SCREW, CAP STSHW 10-24 X 1/2	2
18	10982	TIE, CABLE, BLACK NYLON 11-1/4"	1
19	50010	SWITCH KIT, STOP BUTTON, 7/8" HOLE	1
20	10307	KEY 1/4 SQ X 2-1/4	1
21	65238	SHEAVE 2.8"OD X 3GR.3V X 1"BORE	1
22	10201	BELT 3VX-335	3
23	11542	BARB, PUSH-ON 3/8 HOSE X 12MM X 1.50	1
24	56226	HOSE, PUSH-ON 3/8"ID X 6"L	1
25	11544	BARB, PUSH-ON 3/8 HOSE X 1/4FPT	1
26	10776	PIPE PLUG 1/4 NPT (BRASS)	1



ILLUSTRATION 4: MOTOR & BELT DRIVE GROUPING



PARTS LISTING - ILLUSTRATION 4: MOTOR & BELT DRIVE GROUPING			
ITEM #	PART #	DESCRIPTION	QTY.
1		MOTOR	1
	81026	BALDOR 5HP-1PH-60HZ-230V-3450RPM	
	81022	BALDOR 5HP-3PH-60HZ-230/460V-3450RPM	
2	56214	MOUNT, MOTOR	1
3	10804	BOLT, CARRIAGE 3/8-16 X 1-1/2 F.T.	4
4	10025	WASHER, FLAT 3/8 SAE	4
5	10811	WASHER, LOCK 3/8	4
6	10404	NUT 3/8-16	4
7	51067	BOLT, ALLTHREAD ROD 1/2-13 X 7	1
8	10417	NUT 1/2-13	1
9	10802	BOLT, CARRIAGE 3/8-16 X 1 FULL THD.	2
10	10025	WASHER, FLAT 3/8 SAE	2
11	10811	WASHER, LOCK 3/8	2
12	10404	NUT 3/8-16	2
13	10321	SCREW, CAP 1/2-20 X 1-1/4	2
14	10312	WASHER, FLAT 1/2 SAE	2
15	10205	NUT, LOCK 1/2-20	2
16	10071	KEY 1/4SQ X 2-1/2	2
17	51312	SHEAVE 2.8"OD X 3GR.3V X JA	1
18	10533	BUSHING, SHEAVE JA X 1-1/8"BORE	1
19	10258	BELT 3VX-375	3
20	65087	MOUNT, STARTER	1
21	10740	CONDUIT LOCK NUT 3/4 NP	3
22	10984	CONN., LIQUID TITE 90D X 3/4NPT	1
23		WIRE HARNESS, STARTER TO MOTOR	1
	65107	10/3 X 28"LOA (1 PHASE)	
	65108	10/4 X 28"LOA (3 PHASE)	
24	10984	CONN., LIQUID TITE 90D X 3/4NPT	1
25	77081	WASHER, FLAT 1-1/2 X 1-1/16 X .06	4
26		LOVATO STARTER w/ BLUE RESET BUTTON	1
		SPECIFY VOLTAGE FOR 50 Hz	
	16454	1 PHASE-230V-60HZ, 11-M1-BRF-R30-26-23060	
	16457	3 PHASE-230V-60HZ, 11-M1-BRF-R23-15-23060	
	16458	3 PHASE-460V-60HZ, 11-M1-BRF-R14-10-46060	
27	10362	SCREW, MACHINE 8-32 X 3/4	4
28	10461	WASHER, LOCK, INT. TOOTH #8	4
29	10462	NUT 8-32	4
30	10605	STRAIN RELIEF 3/4NPT X .650-.750"	1
31		WIRE HARNESS, STARTER TO POWER SOURCE	1
	65104	10/3 X 48"LOA (1 PHASE)	
	65105	10/4 X 48"LOA (3 PHASE)	
32	10877	SCREW, CAP STSHW 10-24 X 1/2	1
33	11565	CLAMP, LOOM, 5/8" (SAE SIZE 10)	1
34	40037	PLUG, LOCKING 20A/250V L6-20P (1 PHASE ONLY)	1
35	40000	CONNECTOR, LOCKING 20A/250V L6-20R (1 PHASE ONLY)	1
36	10790	CONDUIT LOCK NUT 1/2 NP	1
37	40066	STRAIN RELIEF 1/2NPT X .350-.450"	1
38	65106	WIRE HARNESS 16/4 X 36"LOA	1
39	16456	REMOTE SWITCH BOX COMPLETE	1
	16456-1	ENCLOSURE, LOVATO 2 BUTTON	1
	16456-2	ENCLOSURE BUTTON, GREEN FLUSH START	1
	16456-3	ENCLOSURE BUTTON, RED EXTENDED STOP	1
	16456-4	ENCLOSURE CONTACT, START GREEN N.O.	1
	16456-5	ENCLOSURE CONTACT, STOP RED N.C.	1
40	11663	SCREW, MACHINE 8-32 X 1/2	4
41	10461	WASHER, LOCK, INT. TOOTH #8	4
42	10462	NUT 8-32	4
43	65291	BRACKET, REMOTE SWITCH	1
44	10846	SCREW, CAP STSHW 1/4-20 X 1/2	2



100 Thomas Johnson Drive, Frederick, MD 21702-4600 USA

Phone (301) 663-1600 • 1-800-638-3326

Fax (301) 663-1607 • 1-800-447-3326

Website: www.edcoinc.com • Email: sales@edcoinc.com

Printed in USA

©2006

Page 11

LIMITED EQUIPMENT WARRANTY OF SALE – TERMS & CONDITIONS

Equipment Development Company, Inc. herein referred to as EDCO (Seller) warrants that each new unit manufactured by EDCO to be free from defects in material and workmanship in normal use and service for a period of (1) one year (except for the cutter drum assembly on all model concrete/asphalt planes, in which case the warranty period shall be 90 days) from date of shipment to the original retail or equipment rental center owner.

Accessories or equipment furnished and installed on the product by EDCO but manufactured by others, including, but not limited to engines, motors, electrical components, transmissions etc., shall carry the accessory manufacturers own warranty.

EDCO will, at its option, repair or replace, at the EDCO factory or at a point designated by EDCO, any part which shall appear to the satisfaction of EDCO inspection to have been defective in material or workmanship.

EDCO reserves the right to modify, alter and improve any part or parts without incurring any obligation to replace any part or parts previously sold without such modified, altered or improved part or parts.

This warranty is in lieu of and excludes all other warranties, expressed, implied, statutory, or otherwise created under applicable law including, but not limited to the warranty of merchantability and the warranty of fitness for a particular purpose in no event shall seller or the manufacturer of the product be liable for special, incidental, or consequential damages, including loss of profits, whether or not caused by or resulting from the negligence of seller and/or the manufacturer of the product unless specifically provided herein. In addition, this warranty shall not apply to any products or portions thereof which have been subjected to abuse, misuse, improper installation, maintenance, or operation, electrical failure or abnormal conditions and to products which have been tampered with, altered, modified, repaired, reworked by anyone not approved by seller or used in any manner inconsistent with the provisions of the above or any instructions or specifications provided with or for the product

FORCE MAJEURE

Seller's obligation hereunder are subject to, and Seller shall not be held responsible for, any delay or failure to make delivery of all or any part of the Product due to labor difficulties, fires, casualties, accidents, acts of the elements, acts of God, transportation difficulties, delays by a common carrier, inability to obtain Product, materials or components or qualified labor sufficient to timely perform part of or all of the obligations contained in these terms and conditions, governmental regulations or actions, strikes, damage to or destruction in whole or part of manufacturing plant, riots, terrorist attacks or incidents, civil commotions, warlike conditions, flood, tidal waves, typhoon, hurricane, earthquake, lightning, explosion or any other causes, contingencies or circumstances within or without the United States not subject to the Seller's control which prevent or hinder the manufacture or delivery of the Products or make the fulfillment of these terms and conditions impracticable. In the event of the occurrence of any of the foregoing, at the option of Seller, Seller shall be excused from the performance under these Terms and Conditions, or the performance of the Seller shall be correspondingly extended.

This document sets forth the terms and conditions pursuant to which the purchaser ("Purchaser") will purchase and Equipment Development Co. Inc. ("Seller") will sell the products, accessories, attachments (collectively the Products) ordered by the Purchaser. These terms and conditions shall govern and apply to the sale of Seller's Products to Purchaser, regardless of any terms and conditions appearing on any purchase order or other forms submitted by Purchaser to Seller, or the inconsistency of any terms therein and herein.

1. PRICE

All prices set forth on any purchase order or other document are F.O.B. Seller's facility or distribution point, as may be determined by Seller (F.O.B. Point). All prices are exclusive of any and all taxes, including, but not limited to, excise, sales, use, property or transportation taxes related to the sale or use of the Products, now or hereafter imposed, together with all penalties and expenses. Purchaser shall be responsible for collecting and/or paying any and all such taxes, whether or not they are stated in any invoice for the Products. Unless otherwise specified herein, all prices are exclusive of inland transportation, freight, insurance and other costs and expenses relating to the shipment of the Products from the F.O.B. point to Purchaser's facility. Any prepayment by Seller of freight insurance and other costs shall be for the account of Purchaser and shall be repaid to Seller.

2. PAYMENT TERMS

Payment terms are as follows. 2% 10 days (to approved and qualified accounts). Net 30 days. This is a cash discount for invoices paid within 10 days after the invoice date, regardless of date of receipt of shipment. This is not a trade discount and will not be granted to accounts that do not adhere to stated terms.

*All past due accounts are subject to a late payment fee of 1.5% per month or a maximum allowed by law if different, along with the expenses incidental to collection including reasonable attorney's fees and costs.

*Seller reserves the right to hold shipments against past due accounts.

*Seller reserves the right to alter payment terms.

3. FREIGHT TERMS

All shipments will be made F.O.B. shipping point as designated in these Terms and Conditions, and title shall pass at the F.O.B. point. Delivery to the initial common carrier shall constitute delivery to the Purchaser. Any claims for loss or damage during shipment are to be filed with carrier by the Purchaser. Seller will not assume responsibility for the performance of the carrier.

Back orders will be shipped in the most practical fashion with charges consistent with our freight policy established with the original order. UPS, FED EX, MAIL or shipments by other couriers are subject to the same terms and conditions as outlined in paragraph #3 "Freight Terms".

4. DELIVERY, DAMAGES, SHORTAGES

Seller shall use reasonable efforts to attempt to cause the Products to be delivered as provided for in these Terms & Conditions. Delivery to the initial common carrier shall constitute the delivery to the Purchaser. Seller's responsibility, in so far as transportation risks are concerned ceases upon the delivery of the Products in good condition to such carrier at the F.O.B. point and all the Products shall be shipped at the Purchaser's risk. Seller shall not be responsible or liable for any loss of income and/or profits, or incidental, special, consequential damages resulting from Seller's delayed performance in shipment and delivery.

5. RETURN OF DEFECTIVE PRODUCTS

Defective or failed material shall be held at the Purchaser's premises until authorization has been granted by Seller to return or dispose of Products. Products that are to be returned for final inspection must be returned Freight Prepaid in the most economical way. Credit will be issued for material found to be defective upon Seller's inspection based on prices at time of purchase.

6. PRODUCTS ORDERED IN ERROR

Products may be returned, provided that claim is made and Seller is notified within 7 days of receipt of Products, and the Products are in original buyer's possession not more than 30 days prior to return, subject to Seller's approval. If Products are accepted for return, they must be Freight Prepaid and buyer will be charged a minimum of 15% rehandling charge, plus a charge back for outbound freight charges if the original order was shipped prepaid. Returns are not accepted for any Products that are specifically manufactured to meet the buyer's requirement of either specifications or quantity.

AGREEMENTS

These Terms and Conditions constitute the entire agreement between Seller and Purchaser as it relates to terms and conditions of sale, and supersedes any and all prior oral or written agreements, correspondence, quotations or understandings heretofore in force between the parties relating to the subject matter hereof. There are no agreements between Seller and Purchaser with respect to the Product herein except those specifically set forth in and made part of these terms and conditions. Any additional terms, conditions and/or prices are rejected by Seller.

These terms and conditions may be modified, cancelled or rescinded only by a written agreement of both parties executed by their duly authorized agents.

USE ONLY GENUINE EDCO PARTS & ACCESSORIES
For your own safety, the safety of others and the life of your machine.

Equipment Development Company, Inc.

