

REVISED STARTING SERIAL # 21742

# PARTS LIST MANUAL

## Model DS-16A



**Concrete/Asphalt Saw**



100 Thomas Johnson Drive, Frederick, MD 21702-4600 USA  
Phone (301) 663-1600 • 1-800-638-3326  
Fax (301) 663-1607 • 1-800-447-3326  
Website: [www.edcoinc.com](http://www.edcoinc.com) • Email: [sales@edcoinc.com](mailto:sales@edcoinc.com)

Printed in USA  
©2005

READ AND UNDERSTAND THE OPERATORS INSTRUCTION MANUAL THOROUGHLY BEFORE ATTEMPTING TO OPERATE THIS EQUIPMENT. Death or serious injury could occur if this machine is used improperly.



## SAFETY MESSAGES



The safety instructions are preceded by a graphic alert message of DANGER, WARNING, or CAUTION.



Indicates an imminent hazard which, if not avoided, will result in death or serious injury.



Indicates an imminent hazard which, if not avoided, can result in death or serious injury.



Indicates hazards which, if not avoided, could result in serious injury and or damage to the equipment.

## GASOLINE Powered Equipment



- Do not operate gasoline powered equipment without adequate ventilation. Carbon monoxide is an invisible, odorless gas that can kill.

## ELECTRICAL Powered Equipment



- ELECTRICAL HAZARD** - Be sure equipment is properly grounded. Failure to comply could kill or result in serious injury.



The engine exhaust from this product contains chemicals known to the State of California to cause cancer, birth defects or other reproductive harm.

## GENERAL INSTRUCTIONS



- You must read and understand the operators instruction manual and all other manuals associated with this machine. For your safety and the safety of others around you, it is extremely important to fully understand how to operate this machine in the way it was intended. Different model machines or older/newer versions of the same model may have different parts and controls that you need to understand. If instructions are not readable or available DO NOT USE this machine and contact the factory for a replacement Manual.
- You must be able to physically handle the bulk weight and power of this machine. If not properly controlled this machine can cause death or serious injury.
- Do not operate this machine in an impaired mental state. You must be able to exercise good judgement and reactions to maintain a safe working environment.
- This is a "one person" machine which means only one operator can be operating the machine at any one time. For the safety of others, maintain a safe operating distance to other personnel. Your work area should be defined and appropriately marked so bystanders and coworkers do not stand or walk near this machine and end up seriously injured by flying debris or exposing them to harmful noise or dust.
- This equipment is for Commercial use. Although this is a "one person" machine your work team should understand how to shut this machine off and quickly get medical help if an accident strikes the operator.
- Keep all guards in place during operation. The guards are to provide protection from inadvertent contact with dangerous moving parts, pinch points, or hot surfaces.
- Wear appropriate Personal Protective Equipment (PPE) including safety glasses, safety boots, work gloves, respiratory protection, hearing protection, and head protection. Do not wear loose clothing that can get tangled in moving parts. Failure to do so could result in dismemberment or death. **Wear an approved respirator when removing hazardous materials or when grinding/cutting dry materials. Some dust particles such as concrete dust can contain silicate particles which can cause silicosis (a very serious lung disease). Contact NIOSH or OSHA for further details. When wet grinding/cutting, avoid contact with the concrete/asphalt slurry which can cause serious skin irritations.**
- You must maintain this machine per the maintenance schedule in the operator manual. Remember before adjusting, servicing, or fueling this machine, disconnect the source of power to the machine by disconnecting the spark plug (Gas models), or by unplugging the electrical power cord (electric models) or air hose (Pneumatic models) AT THE MACHINE so you can assure yourself it remains unplugged while you are working on it. Do not modify this machine. Use only genuine EDCO parts and accessories. Repairs and service should be performed by approved EDCO dealers or authorized technicians.
- You should look carefully around the area before you begin work so you can identify potential hazards such as deck inserts, pipes, columns, openings, electrical cords or outlets, or any other objects protruding from the slab surface.
- This machine has no brain so you must use your own. There is no substitute for safety. The safety decals on the machine are to serve as a reminder for information you must already know before you begin using this machine. Take a moment to reread the safety decals each time you use the machine. If your machine is missing any decals, contact the factory for a replacement (EDCO 1-800-638-3326).

# PARTS LIST MANUAL

## EDCO MODEL DS-16A

Section	Page Number
Safety Messages and General Instructions . . . . .	2
How To Order Replacement Parts . . . . .	3
Illustration 1: Main Assembly Grouping . . . . .	4
Parts Listing - Illustration 1:Main Assembly Grouping . . . . .	5
Illustration 2: Arbor & Blade Guard Grouping . . . . .	6
Parts Listing - Illustration 2: Arbor & Blade Guard Grouping . . . . .	7
Illustration 3: Engine Grouping . . . . .	8
Parts Listing - Illustration 3: Engine Grouping . . . . .	9
Illustration 4: Motor Grouping . . . . .	10
Parts Listing - Illustration 4: Motor Grouping . . . . .	11
Warranty . . . . .	back cover

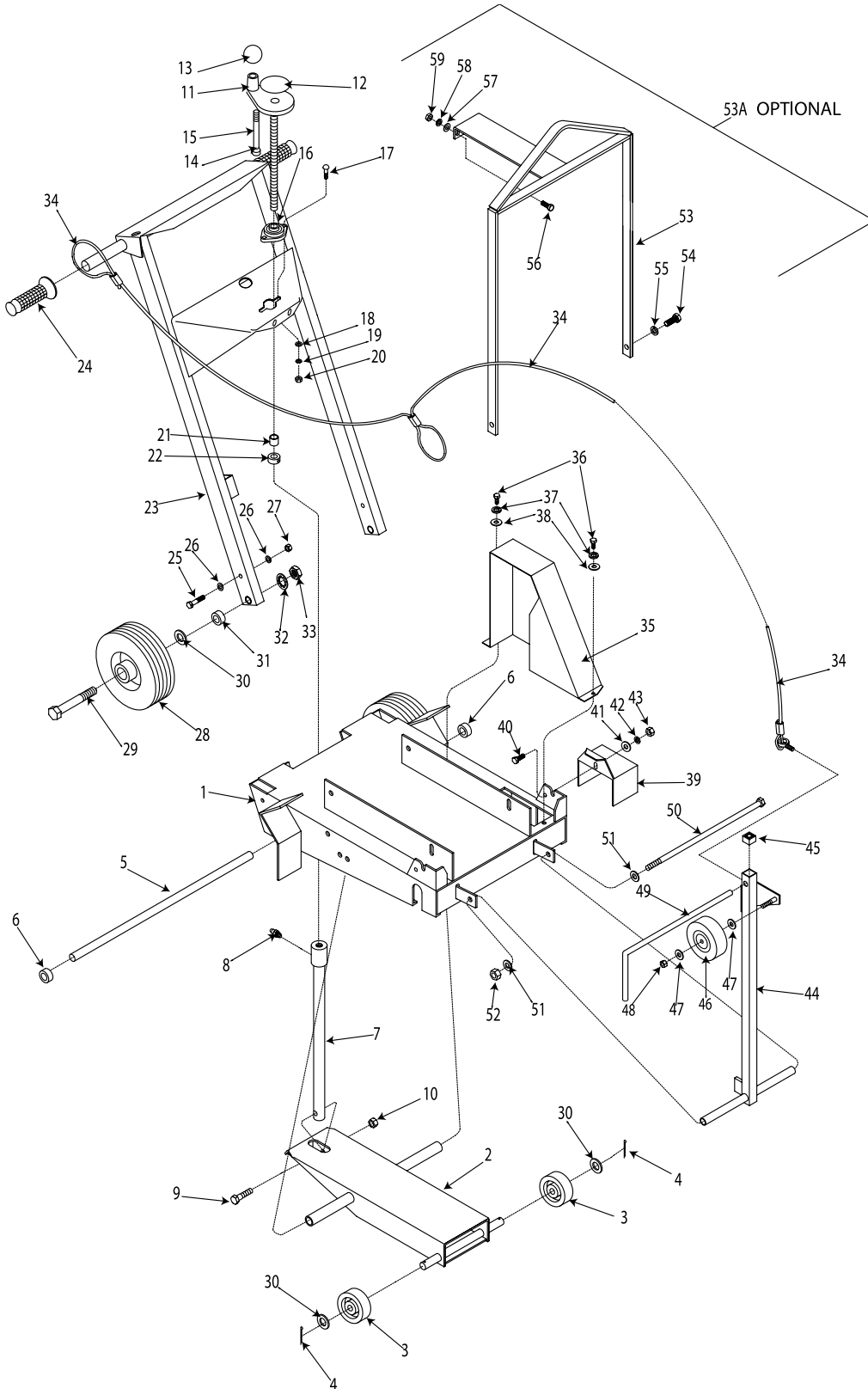
DS-16A CONCRETE /ASPHALT SAWS		
PART NO.	MODEL	POWER OPTION
48300	DS16A-11H	HONDA ENGINE 11HP GX340K1-QXC9
48400	DS16A-13H	HONDA ENGINE 13HP GX390 KI-QXC9
42100	DS16A-5B/230/1	BALDOR MOTOR 5HP -1PH-230V - 19.5 FLA
42200-230	DS16A-5B/230/3	BALDOR MOTOR 5HP - 3PH - 230V -12FLA
42200-460	DS16A-5B/460/3	BALDOR MOTOR 5HP - 3PH-460V - 6 FLA

<p><b>HOW TO ORDER REPLACEMENT PARTS</b></p> <p><input type="checkbox"/> To insure product safety and reliability, always use genuine EDCO replacement parts when making repairs to the equipment.</p> <p><input type="checkbox"/> When calling for parts, specify the MODEL and SERIAL NUMBER of the machine which can be found on the NAME PLATE. Keep that information in the space provided. In addition to this information, give part number, description and quantity as listed on the parts list to your parts representative.</p> <p><input type="checkbox"/> Please note: Due to improvements and changes in the equipment, the illustrations shown may be different than the actual machine.</p>	<p><b>FILL IN INFORMATION BELOW</b></p> <p>Date of Purchase _____</p> <p>Name of Machine _____</p> <p>Model # _____</p> <p>Serial # _____</p> <p>Belt Size(s) _____</p> <p style="text-align: center;">Toll Free: 1-800-638-3326  FAX: 1-800-447-3326  email: sales@edcoinc.com  www.edcoinc.com</p>
---	--



100 Thomas Johnson Drive, Frederick, MD 21702-4600 USA  
Phone (301) 663-1600 • 1-800-638-3326  
Fax (301) 663-1607 • 1-800-447-3326  
Website: www.edcoinc.com • Email: sales@edcoinc.com

# ILLUSTRATION 1: MAIN ASSEMBLY GROUPING



**PARTS LISTING - ILLUSTRATION 1: MAIN ASSEMBLY GROUPING**

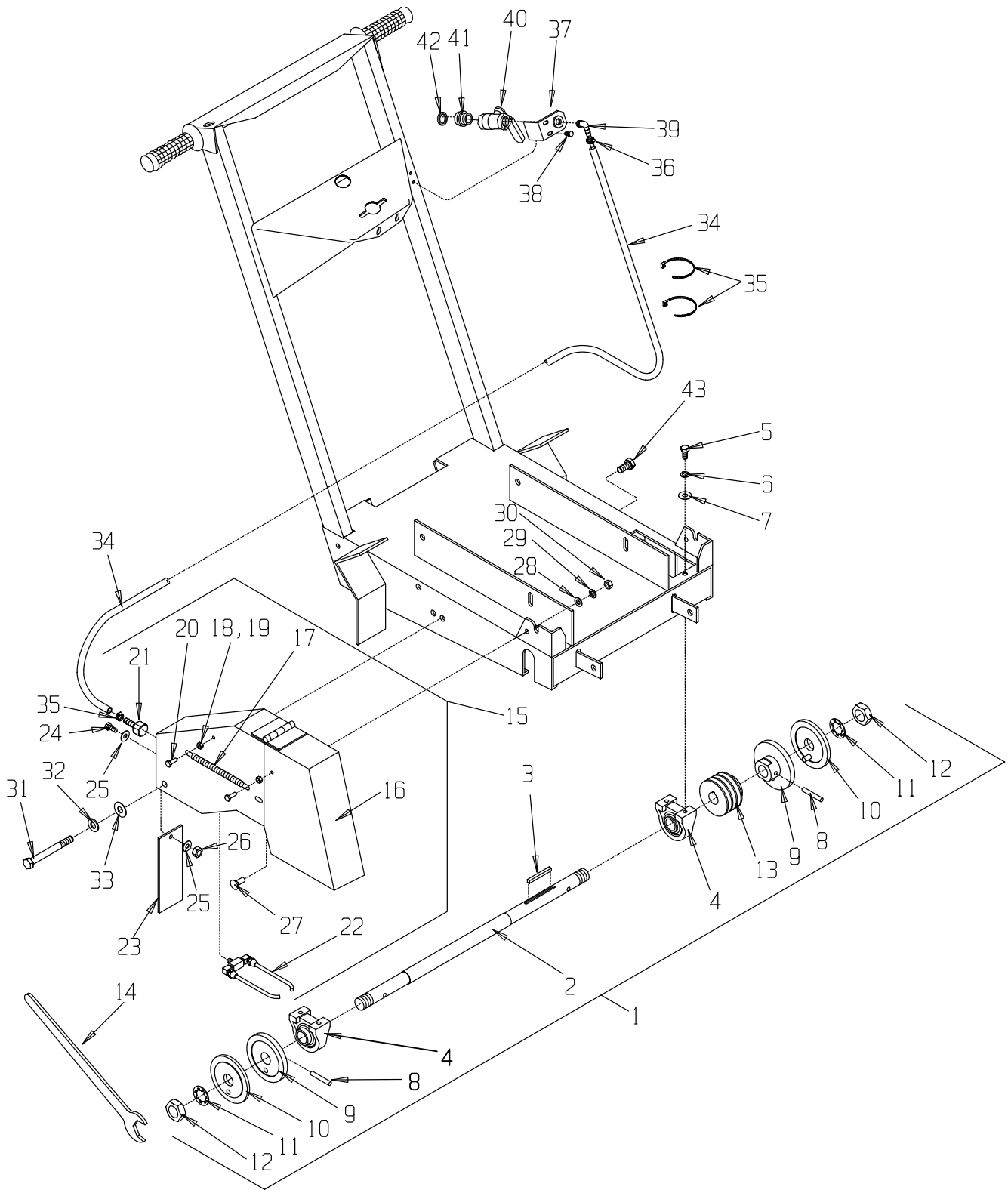
ITEM#	PART #	DESCRIPTION	QTY.	ITEM#	PART #	DESCRIPTION	QTY.
1	56201	MAIN FRAME	1	29	56216	AXLE BOLT 3/4-16 x 5	2
2	56202	FORK	1	30	10009	WASHER, FLAT 3/4	4
3	52001	WHEEL 4 x 1-1/2 x 3/4" BRG. ALUM.	2	31	10428	COLLAR, LOCKING 3/4" ID	2
4	10306	PIN, COTTER 3/16 x 1-1/4	2	32	10609	WASHER, LOCK, INT. TOOTH 3/4	2
5	56211	SHAFT, FORK 3/4"DIA. x 18-7/8	1	33	10429	NUT, JAM 3/4-16	2
6	10428	COLLAR, LOCKING 3/4" ID	2	34	56221	GUIDE BAR ROPE	1
7	56204	LINKAGE, CUT-CONTROL	1	35	56206	COVER, BELT	1
8	10808	FITTING, GREASE 1/4-28 STRAIGHT	1	36	10053	SCREW, CAP 5/16-18 x 3/4	2
9	10322	SCREW, CAP 1/2-20 x 2	1	37	10801	WASHER, LOCK 5/16	2
10	10205	NUT, LOCK 1/2-20	1	38	10213	WASHER, FLAT 5/16	2
11	51075	HANDWHEEL, LARGE w/ 5/8-8 x 13" ROD	1	39	51010	COVER, ARBOR	1
12	61106	DECAL, "CUT-CONTROL" (LARGE)	1	40	10166	SCREW, CAP 3/8-24 x 3/4"	1
13	14023	KNOB, BALL 1-3/8 DIA. w/ 1/2-13 THD.	1	41	10025	WASHER, FLAT 3/8	1
14	50550	SLEEVE, TAPERED	1	42	10811	WASHER, LOCK 3/8	1
15	10346	SCREW, SKT. HD. 1/2-13 x 4-1/2	1	43	10004	NUT 3/8-24	1
16	80009	BEARING, BALL 5/8" 2-HOLE FLANGE	1	44	56210	GUIDE BAR	1
17	10412	BOLT, CARRIAGE 1/4-20 x 1	2	45	51078	PLUG, SQ. TUBE 1 x 14 GA. BLACK	1
18	10213	WASHER, FLAT 5/16	2	46	50024	WHEEL, 4 x 1-3/8 x 3/8 BORE	1
19	10602	WASHER, FLAT 1/4	2	47	10025	WASHER, FLAT 3/8	1
20	10861	NUT, KEPS 1/4-20	2	48	10004	NUT, LOCK 3/8-24	1
21	55010	SPACER, HANDWHEEL 5/8" ID x 3/4	2	49	51012	GUIDE POINTER, FRONT	1
22	10096	COLLAR, LOCKING 5/8" ID	1	50	10421	SCREW, CAP 1/2-13 x 13	1
23	56203	HANDLE BAR	1	51	10312	WASHER, FLAT 1/2	2
24	61108	GRIP, HAND 1" MODEL SX	2	52	10407	NUT, LOCK 1/2-13	1
25	10029	SCREW, CAP 3/8-24 x 1-3/4	2	53A	56207A	BAIL, ASSY., LIFTING (OPT. ITEMS 54-59)	1
26	10025	WASHER, FLAT 3/8	4	53	56207	BAIL, LIFTING (OPT.)	1
27	10004	NUT, LOCK 3/8-24	2	54	10312	SCREW, CAP 1/2-20 x 1-1/4 (OPT.)	2
28	79013	WHEEL, 8 x 2-1/2 x 3/4" BRG.	2	55	10045	WASHER, LOCK 1/2 (OPT.)	2
				56	10021	SCREW, CAP 3/8-24 x 1 (OPT.)	2
				57	10025	WASHER, FLAT 3/8 (OPT.)	2
				58	10811	WASHER, LOCK 3/8 (OPT.)	2
				59	10014	NUT 3/8-24 (OPT.)	2



100 Thomas Johnson Drive, Frederick, MD 21702-4600 USA  
 Phone (301) 663-1600 • 1-800-638-3326  
 Fax (301) 663-1607 • 1-800-447-3326  
 Website: www.edcoinc.com • Email: sales@edcoinc.com

Printed in USA  
 ©2005

# ILLUSTRATION 2: ARBOR & BLADE GUARD GROUPING



<b>PARTS LISTING - ILLUSTRATION 2: ARBOR &amp; BLADE GUARD GROUPING</b>			
ITEM#	PART#	DESCRIPTION	QTY.
1	56208A	ARBOR ASSEMBLY COMPLETE (ITEMS 2-13)	1
2	56208	ARBOR SHAFT 23-3/8 L	1
3	10071	KEY 1/4 SQ. x 2-1/2	1
4	50222	BEARING, BALL 1" TAPPED PILLOW BLOCK	2
5	10907	SCREW, CAP 3/8-16 x 3/4	4
6	10811	WASHER, LOCK 3/8	4
7	10025	WASHER, FLAT 3/8	4
8	10211	PIN, ROLL 5/16 x 2	2
9	56026	ARBOR BACKING PLATE 4"	2
10	56025	ARBOR, BLADE RETAINING CAP 4" OD w/ 1" HOLE	2
11	55009	WASHER, LOCK, INT. TOOTH 1"	2
12	50019	NUT, JAM 1-14	2
13	56235	SHEAVE 3.35" OD x 3Gr.3Vx 1" BORE	1
14	50445	WRENCH, ARBOR 1-1/2	2
15	51039C	18" BLADE GUARD ASSEMBLY (ITEMS 16-26)	1
16	51039	BLADE GUARD ONLY, 18"	1
17	3636	SPRING, EXT. 6" L	2
18	10013	NUT 1/4-20	4
19	10861	NUT, KEPS 1/4-20 (NOT SHOWN)	4
20	10018	SCREW, CAP 1/4-20 x 3/4	4
21	10729	BARB, 3/8" HOSE x 1/2 FPT	1
22	51026	NOZZLE, COOLANT	1
23	51027	FLAP, SPLASH 2-1/2 x 6	1
24	10018	SCREW, CAP 1/2-20 x 3/4	1
25	10605	WASHER, FLAT 1/4	2
26	10015	NUT, LOCK 1/4-20	1
27	10802	BOLT, CARRIAGE 3/8-16 x 1	1
28	10025	WASHER, FLAT 3/8	1
29	10811	WASHER, LOCK 3/8	1
30	10404	NUT 3/8-16	1
31	10409	SCREW, CAP 1/2-20 x 4-1/2	1
32	10045	WASHER, LOCK 1/2	1
33	10312	WASHER, FLAT 1/2	1
34	56023	HOSE, WATER 3/8" ID x 43"L	1
35	10982	TIE, CABLE, BLACK NYLON 11-1/4	2
36	50069	CLAMP, HOSE, SAE # 6, Adj. TO 13/16"	2
37	56022	BRACKET, WATER VALVE	1
38	10846	SCREW, STSHW 1/4-20 x 1/2	2
39	10799	BARB, ELBOW 90°, 3/8 HOSE x 1/4 MPT	1
40	10711	VALVE, BALL 1/2 FPT	1
41	80021	CONN., SWIVEL FEMALE 3/4 HOSE x 1/2 MPT (INCL. HW - #42)	1
42	10070	WASHER, HOSE 3/4	1
43	10304	SCREW, CAP 1/2-20 x 1	1



100 Thomas Johnson Drive, Frederick, MD 21702-4600 USA

Phone (301) 663-1600 • 1-800-638-3326

Fax (301) 663-1607 • 1-800-447-3326

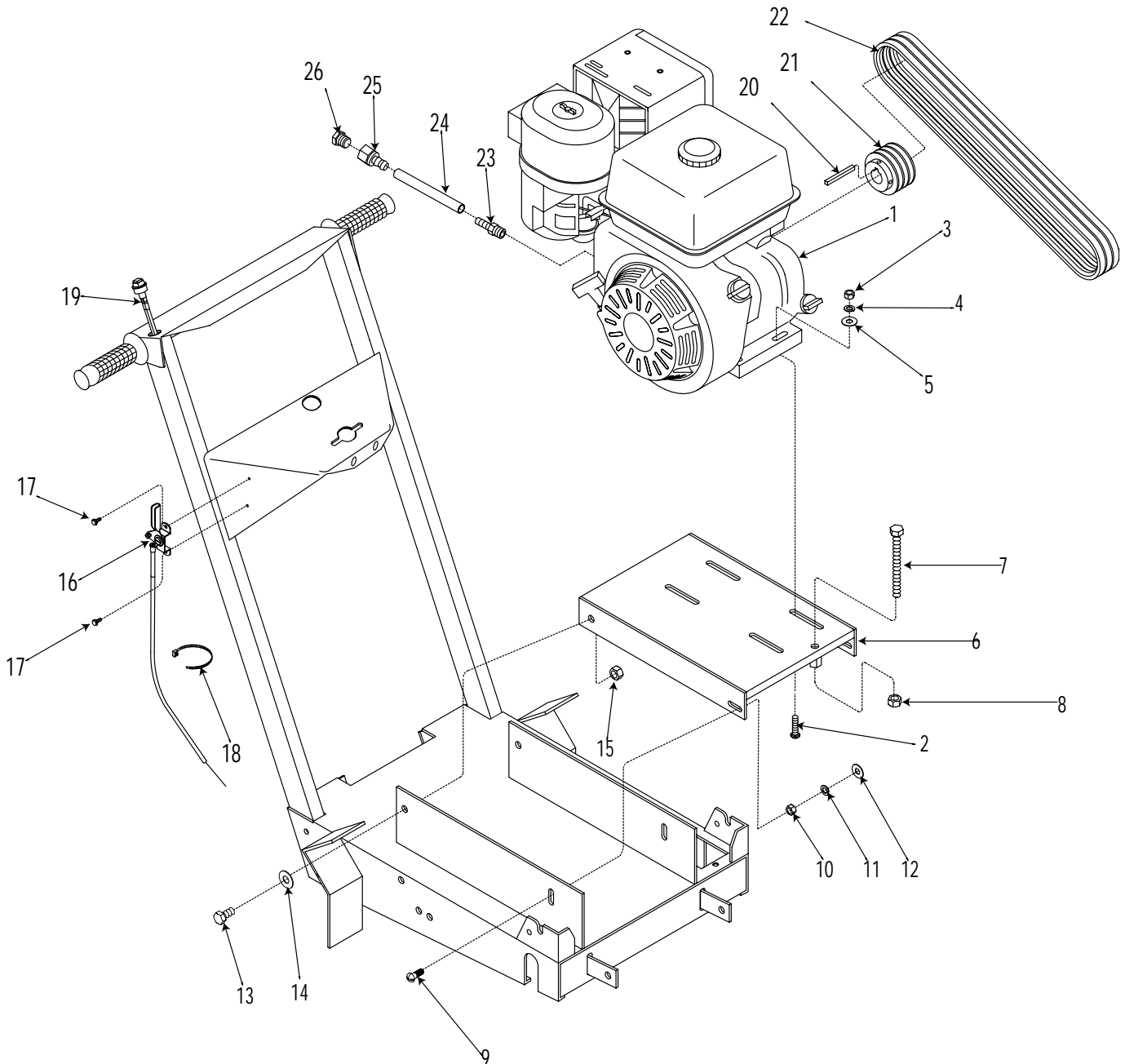
Website: [www.edcoinc.com](http://www.edcoinc.com) • Email: [sales@edcoinc.com](mailto:sales@edcoinc.com)

Printed in USA

©2005

Page 7

# ILLUSTRATION 3: ENGINE GROUPING

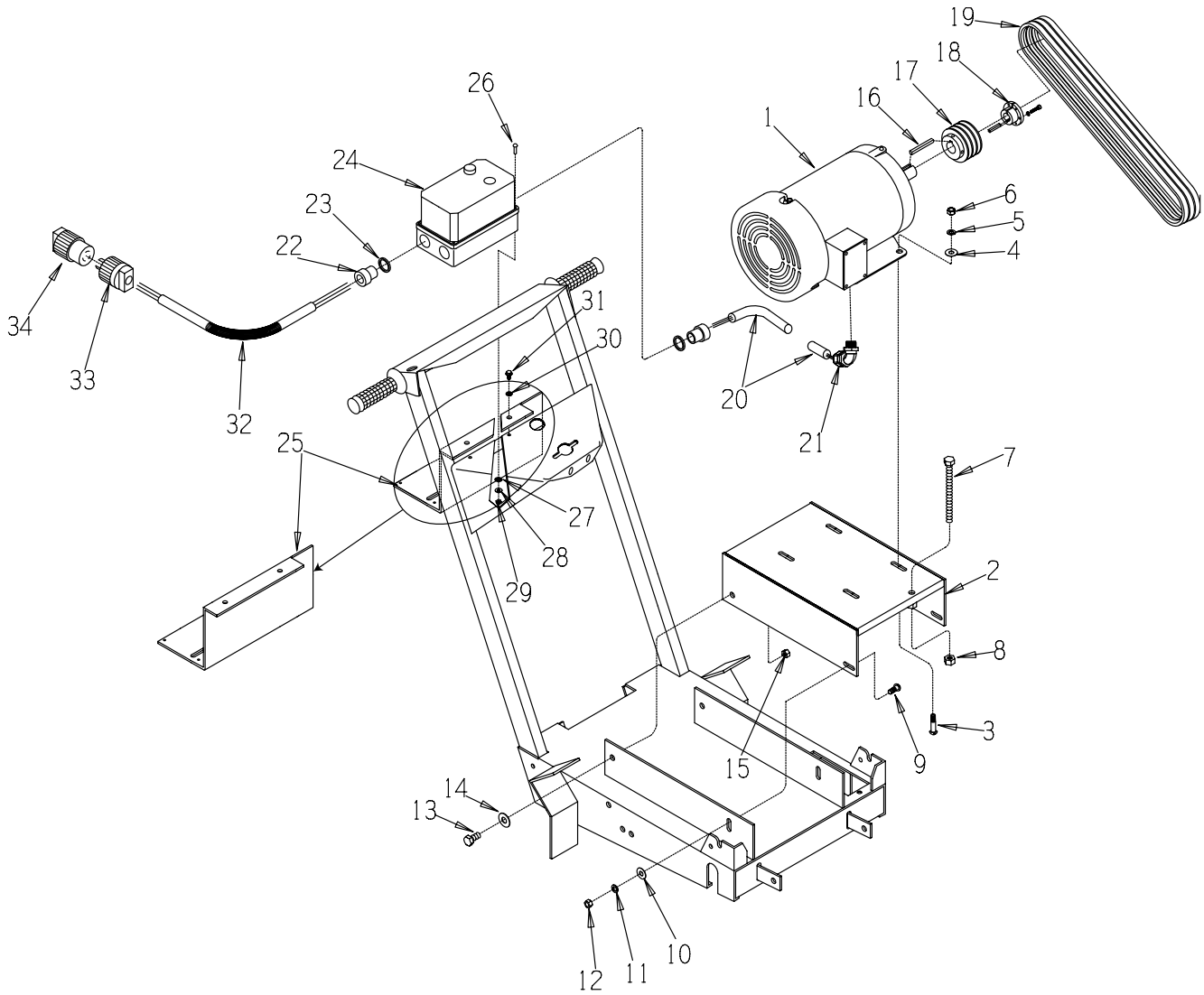




**PARTS LISTING - ILLUSTRATION 3: ENGINE GROUPING**

ITEM#	PART#	DESCRIPTION	QTY.
1	15029	ENGINE, HONDA 13HP GX390K1-QXC9	1
2	10087	BOLT, CARRIAGE 3/8-16 x 1-3/4	4
3	10404	NUT 3/8-6	4
4	10811	WASHER, LOCK 3/8	4
5	10025	WASHER, FLAT 3/8	4
6	56212	MOUNT, ENGINE	1
7	10373	BOLT, TAP 1/2-13 x 5 (FULL THREAD)	1
8	10417	NUT 1/2-13	1
9	10802	BOLT, CARRIAGE 3/8-16 x 1	2
10	10404	NUT 3/8-16	2
11	10811	WASHER, LOCK 3/8	2
12	10025	WASHER, FLAT 3/8	2
13	10321	SCREW, CAP 1/2-20 x 1-1/4	2
14	10312	WASHER, FLAT 1/2	2
15	10205	NUT, LOCK 1/2-20	2
16	40388	CABLE, THROTTLE CONTROL, LEVER-TYPE 24"	1
17	10877	SCREW, STSHW 10-24 x 1/2	2
18	10982	TIE, CABLE, BLACK NYLON 11-1/4	1
19	50010	SWITCH KIT, STOP BUTTON, 7/8" HOLE	1
20	10307	KEY 1/4 SQ. x 2-1/4	1
21	65238	SHEAVE, 2.8" OD x 3Gr.3V x 1" BORE	1
22	10201	BELT 3VX 335	3
23	11542	BARB, PUSH-ON 3/8" HOSE x 12mm x 1.50 MALE	1
24	56226	HOSE, PUSH-ON 3/8" ID x 6"L	1
25	11544	BARB, PUSH-ON 3/8" HOSE x 1/4 FPT	1
26	10776	PIPE PLUG 1/4 NPT (BRASS)	1

# ILLUSTRATION 4: MOTOR GROUPING



## PARTS LISTING - ILLUSTRATION 4: MOTOR GROUPING

ITEM#	PART#	DESCRIPTION	QTY.
1		MOTOR	1
	81026	BALDOR 5HP-1PH 60Hz 230V 3450 RPM	
	81022	BALDOR 5HP-3PH 60Hz 230/460V 3450 RPM	
2	56214	MOUNT, MOTOR	1
3	10804	BOLT, CARRIAGE 3/8-16 x 1-1/2	4
4	10025	WASHER, FLAT 3/8	4
5	10811	WASHER, LOCK 3/8	4
6	10404	NUT 3/8-16	4
7	51067	BOLT, ALLTHREAD ROD 1/2-13 x 7"	1
8	10417	NUT 1/2-13	1
9	10802	BOLT, CARRIAGE 3/8-16 x 1	2
10	10025	WASHER, FLAT 3/8	2
11	10811	WASHER, LOCK 3/8	2
12	10404	NUT 3/8-16	2
13	10321	SCREW, CAP 1/2-20 x 1-1/4	2
14	10312	WASHER, FLAT 1/2	2
15	10205	NUT, LOCK 1/2-20	2
16	10071	KEY 1/4" SQ. x 2-1/2	1
17	51312	SHEAVE 2.8" OD x 3Gr.3V x JA	1
18	10533	BUSHING, SHEAVE JA x 1-1/8" BORE (INCL. KEY)	1
19	10258	BELT 3VX-375	3
20		WIRE HARNESS	
	56118	10/3 x 46" LOA (1 PHASE)	1
	56119	12/4 x 46" LOA (3 PHASE)	1
21	10984	CONN., LIQUID TITE 90DX 3/4 NPT	1
22	10605	CONNECTOR, STRAIN RELIEF 3/4 NPT x .650 - .750	2
23	10740	CONDUIT LOCK NUT 3/4 NP	2
24		STARTER, LOVATO	1
	16410	1PH - 230V 11-M1-BRF-P30-26-23060	
	16405	3PH - 230V 11-M1-BRF-P23-23-23060	
	16406	3PH - 460V 11-M1-BRF-P14-10-46060	
25	56215	BRACKET, STARTER MOUNT	1
26	10362	SCREW, MACHINE 8-32 x 3/4	4
27	10850	WASHER, FLAT #10	4
28	10461	WASHER, LOCK, INT. TOOTH #8	4
29	10462	NUT 8-32	4
30	10038	WASHER, LOCK 1/4	2
31	10846	SCREW, STHW 1/4-20 x 1/2	2
32		WIRE HARNESS	1
	86026	10/3 x 24" LOA (1 PHASE)	
	86022	12/4 x 24" LOA (3 PHASE)	
33	40037	PLUG, LOCKING 20A/250V (1 PHASE ONLY)	1
34	40000	PLUG CONNECTOR, LOCKING 20A/250V (1 PHASE ONLY)	1

100 Thomas Johnson Drive, Frederick, MD 21702-4600 USA

Phone (301) 663-1600 • 1-800-638-3326

Fax (301) 663-1607 • 1-800-447-3326

Website: [www.edcoinc.com](http://www.edcoinc.com) • Email: [sales@edcoinc.com](mailto:sales@edcoinc.com)

Printed in USA

©2005

**Page 11**

# LIMITED EQUIPMENT WARRANTY

Equipment Development Company, Inc. herein referred to as EDCO warrants that each new unit manufactured by EDCO to be free from defects in material and workmanship in normal use and service for a period of (1) one year (except in the case of the cutter drum assembly on all model concrete asphalt planes, in which case the warranty period shall be 90 days) from date of shipment to the original buyer or equipment rental center owner.

EDCO will, at its option, repair or replace, at the EDCO factory or at a point designated by EDCO any part, which shall appear to the satisfaction of EDCO inspection to have been defective in material or workmanship.

This warranty, does not apply to failure occurring as a result of abuse, misuse, negligent repairs, corrosion, erosion, normal wear and tear, alterations or modifications made to the product without express written consent of EDCO: or failure to follow the recommended operating practices and maintenance procedures as provided in the products operating and maintenance manuals.

This warranty does not obligate EDCO to bear any transportation charges in connection with the replacement or repair of defective parts. This warranty does not obligate EDCO to bear any expense for travel time or of personnel in connection with any service calls.

Accessories or equipment furnished and installed on the product by EDCO but manufactured by others, including but not limited to engines, motors, electrical equipment, transmissions, etc., shall carry the accessory manufacturers' own warranty.

THIS WARRANTY IS IN LIEU OF ALL OTHER WARRANTIES, EXPRESSED OR IMPLIED, OR STATUTORY, INCLUDING ANY WARRANTIES OF MERCHANTABILITY OR OF FITNESS FOR A PARTICULAR PURPOSE.

## LIABILITY LIMITATIONS

The remedies of the user set forth under provisions of warranty outlined above are the exclusive and total liability of EDCO with the respect to their sale or the equipment and service furnished hereunder, in connection with the performance or breach thereof, or from the sale, delivery, installation, repair or technical direction covered by or furnished under the sale, whether based on contract, warranty, negligence, indemnity, strict liability, or otherwise shall not exceed the purchase price of the unit of equipment upon which such liability is based.

EDCO will not in any event be liable to the user, any successors in interest or any beneficiary or assignee relating to this sale for any consequential, incidental, indirect, special or punitive damages arising out of this sale or any breach thereof, or any defects on, or failure of, or malfunction of the equipment under this sale based upon loss of use, lost profits or revenue, interest, lost goodwill, work stoppage, impairment of other goods, loss by reason of shutdown or non-operation, increased expenses of operation of the equipment, cost of purchase or replacement power of claims of users or customers of the user for service interruption whether or not such loss or damage is based on contract, warranty, negligence, indemnity, strict liability, or otherwise.

EDCO reserves the right to modify, alter and improve any part or parts without incurring any obligation to replace any part or parts previously sold without such modified, altered or improved part or parts.

No person is authorized to give any other warranty or to assume any additional obligation on EDCO's behalf unless made in writing and signed by an officer of EDCO.

Equipment Development Company, Inc.

## USE ONLY GENUINE EDCO PARTS AND ACCESSORIES

For your own safety, the safety of others and the life of your machine

