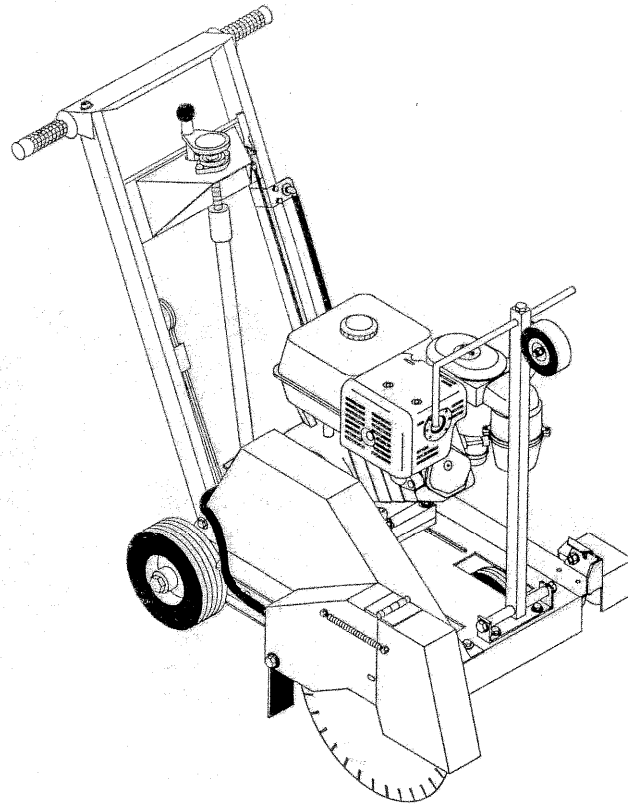


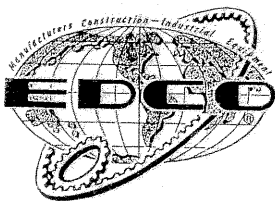
REVISED MARCH 1994
STARTING SERIAL NO. 13864

CONCRETE / ASPHALT SAW

PARTS LIST MANUAL



MODEL DS-16 "UP-CUT"



EQUIPMENT DEVELOPMENT COMPANY, INC.

100 THOMAS JOHNSON DRIVE, FREDERICK, MARYLAND 21702-4305 USA

PHONE (301)663-1600

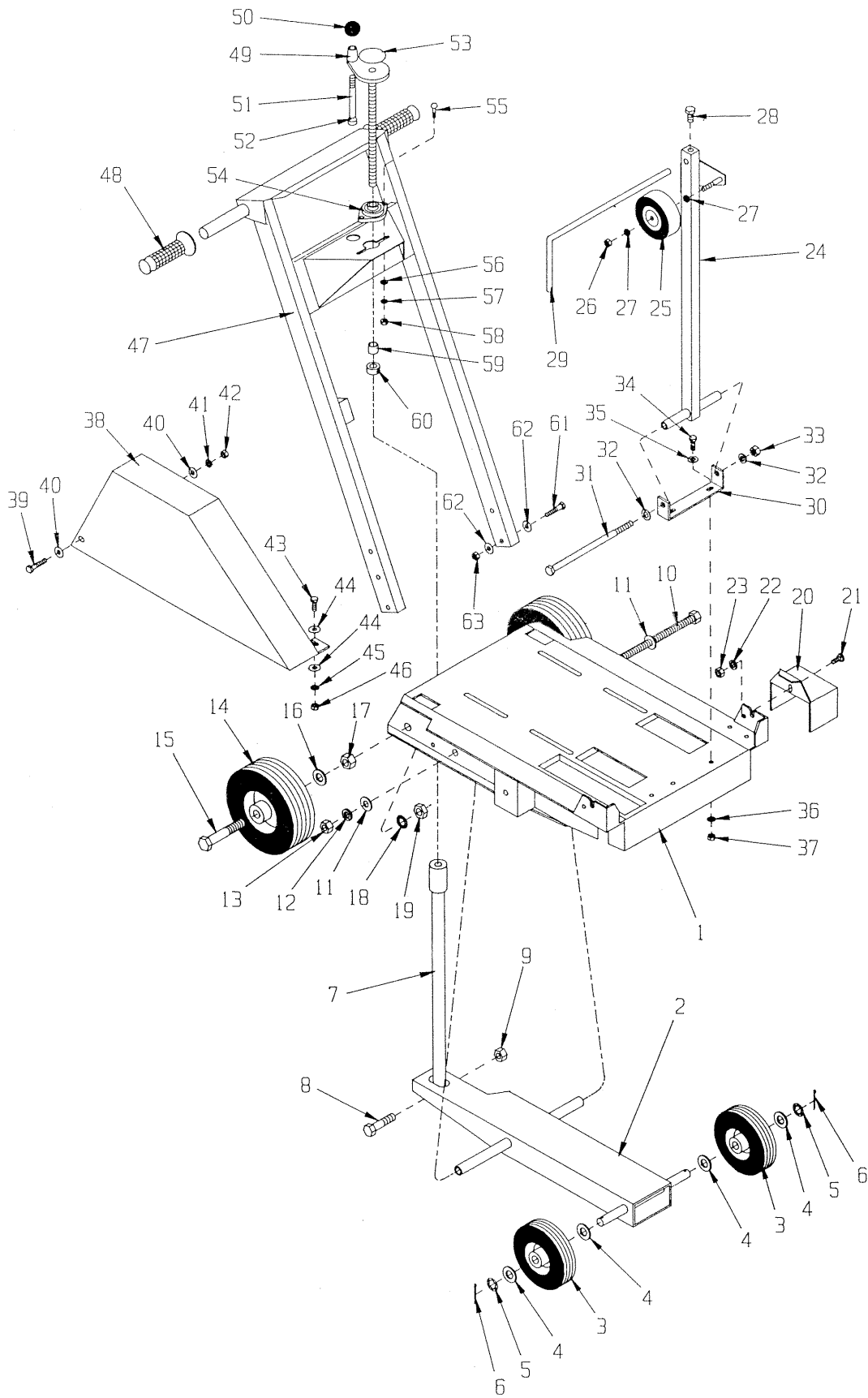
TOLL FREE 1-800-638-3326

FAX (301)663-1607

FAX FREE 1-800-447-3326

PRINTED IN U.S.A.

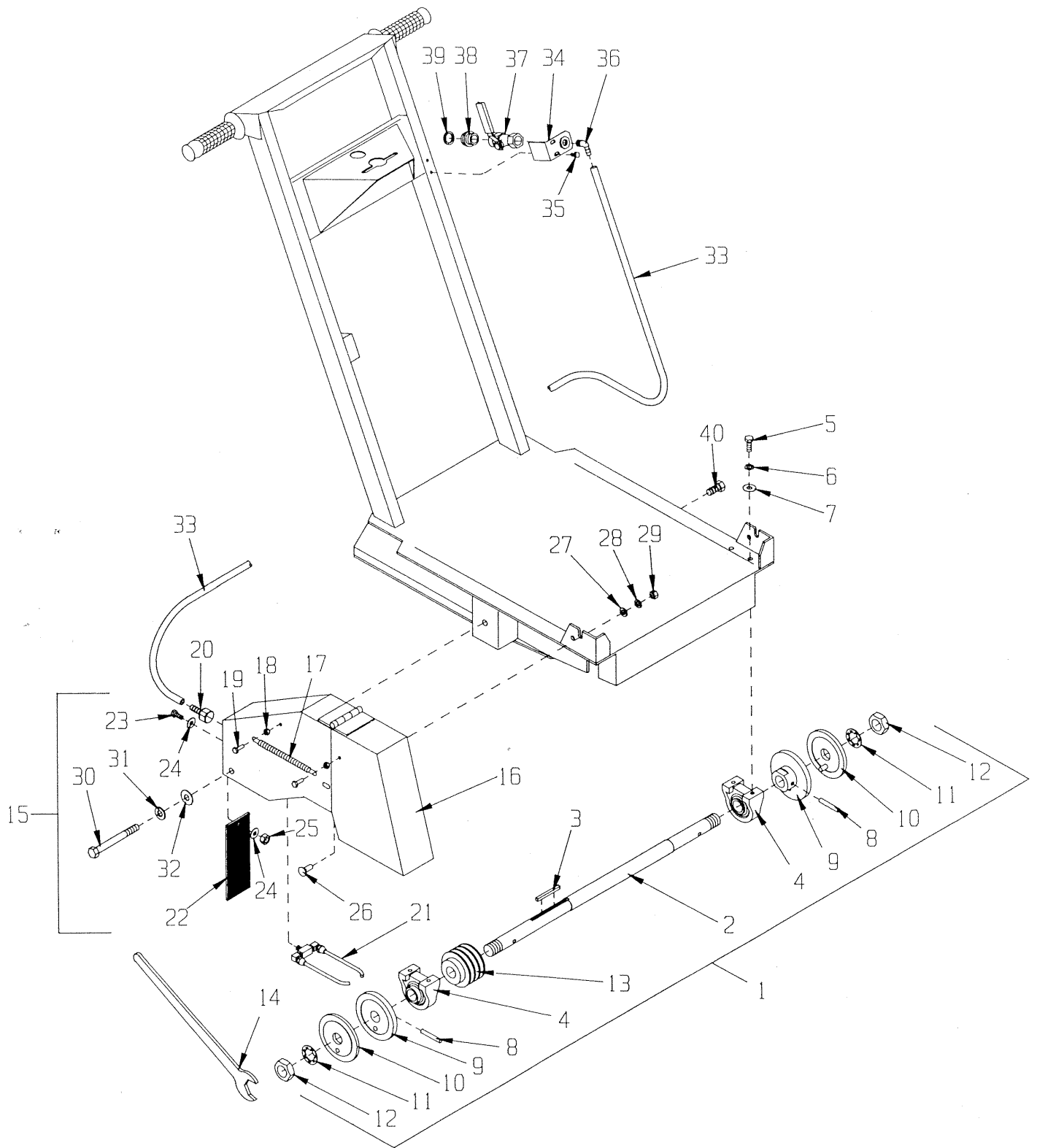
ILLUSTRATION 1: FRAME ASSEMBLY



PARTS LISTING - ILLUSTRATION 1: FRAME ASSEMBLY

Item #	Part #	Description	Qty.
1	56001	Main Frame	1
2	56004	Fork	1
3	80028	Wheel 6 x 2 x 3/4"Brg.	2
4	10009	Washer, Flat 3/4	4
5	20050	Clip, Retaining 3/4	2
6	10306	Pin, Cotter 3/16 x 1-1/2	2
7	56003	Linkage, Cut Control	1
8	10322	Screw, Cap 1/2-20 x 2	1
9	10205	Nut, Lock 1/2-20	1
10	56005	Rod, Allthread Bolt 5/8-11 x 16	1
11	10073	Washer, Flat 5/8	2
12	10041	Washer, Lock 5/8	1
13	10046	Nut 5/8-11	1
14	79013	Wheel 8 x 2-1/2 x 3/4"Brg.	2
15	10406	Screw, Cap 3/4-16 x 4	2
16	10009	Washer, Flat 3/4	2
17	10405	Nut 3/4-16	2
18	10609	Washer, Int. Tooth 3/4	2
19	10429	Nut, Jam 3/4-16	2
20	51010	Cover, Arbor	1
21	10823	Bolt, Carriage 3/8-16 x 3/4	1
22	10811	Washer, Lock 3/8	1
23	10404	Nut 3/8-16	1
24	56021	Guide Bar	1
25	50024	Wheel 4 x 1-3/8 x 3/8"Bore	1
26	10004	Nut, Lock 3/8-24	1
27	10025	Washer, Flat 3/8	2
28	10304	Screw, Cap 1/2-20 x 1	1
29	51012	Guide, Front	1
30	56020	Bracket, Guide Bar	1
31	10360	Screw, Cap 1/2-13 x 7-1/2	1
32	10312	Washer, Flat 1/2	2
33	10407	Nut, Lock 1/2-13	1
34	10021	Screw, Cap 3/8-24 x 1	2
35	10025	Washer, Flat 3/8	2
36	10811	Washer, Lock 3/8	2
37	10014	Nut 3/8-24	2
38	56006	Cover, Belt	1
39	10029	Screw, Cap 3/8-24 x 1-3/4	1
40	10025	Washer, Flat 3/8	2
41	10811	Washer, Lock 3/8	1
42	10014	Nut 3/8-24	1
43	10021	Screw, Cap 3/8-24 x 1	1
44	10025	Washer, Flat 3/8	2
45	10811	Washer, Lock 3/8	1
46	10014	Nut 3/8-24	1
47	56002	Handle Bar	1
48	61108	Grip, Hand 1" Model SX	2
49	81023	Handwheel, Small W/ 5/8-8 x 12"Rod	1
50	14023	Knob, Ball 1-3/8"Dia. W/ 1/2-13 Thd.	1
51	10346	Screw, Skt. Hd. 1/2-13 x 4-1/2	1
52	50550	Sleeve for 1/2" Capscrew, Tapered	1
53	80007	Decal, "Cut Control" (Small)	1
54	80009	Bearing, Ball 5/8" 2-Hole Flange	1
55	10412	Bolt, Carriage 1/4-20 x 1	2
56	10602	Washer, Flat 1/4	2
57	10038	Washer, Lock 1/4	2
58	10013	Nut 1/4-20	2
59	55010	Spacer, Handwheel 5/8"ID x 3/4	1
60	10096	Collar, Locking 5/8	1
61	10029	Screw, Cap 3/8-24 x 1-3/4	4
62	10025	Washer, Flat 3/8	8
63	10004	Nut, Lock 3/8-24	4

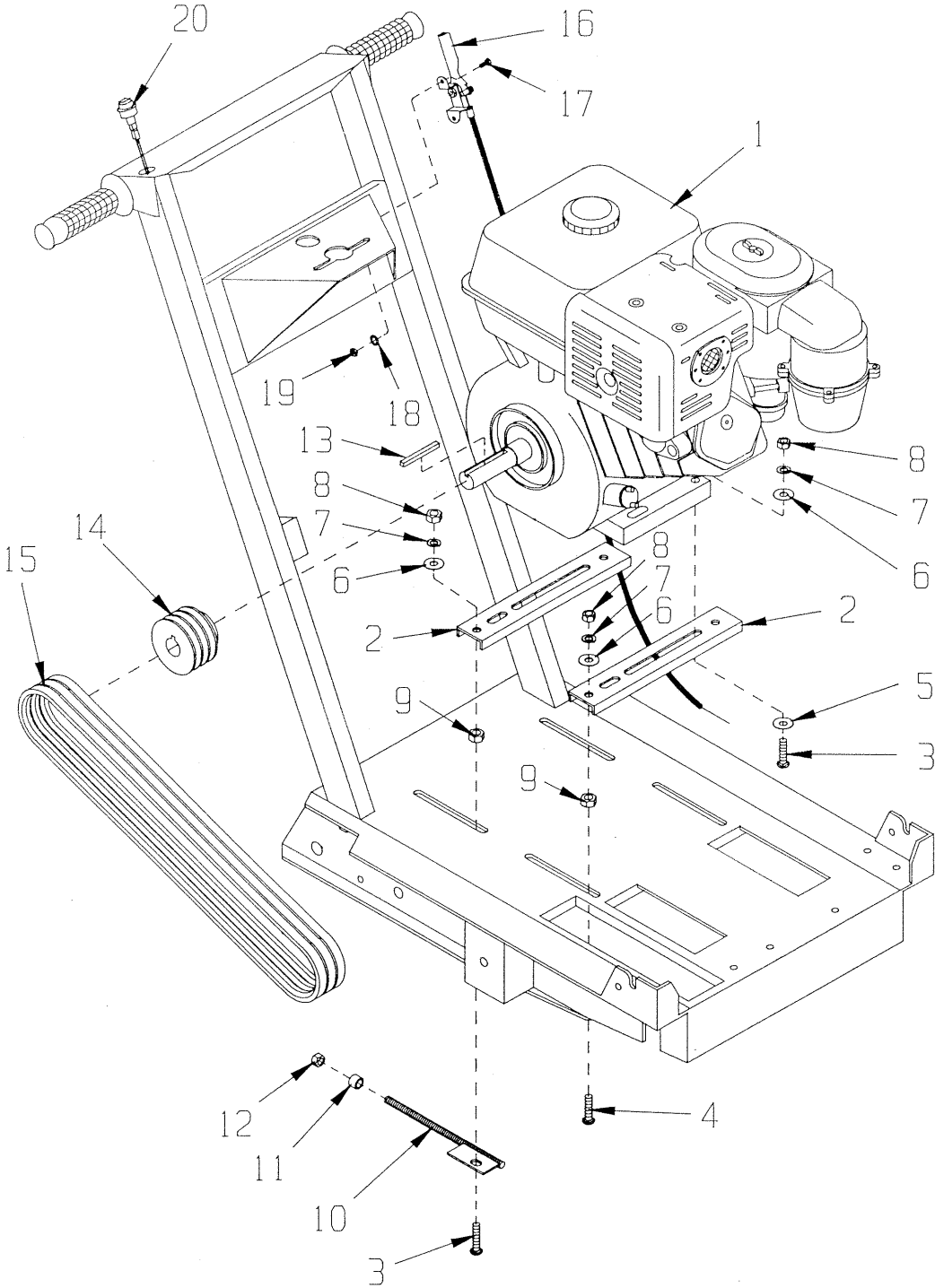
ILLUSTRATION 2: ARBOR & BLADE GUARD ASSEMBLY "UP-CUT" MODEL



PARTS LISTING - ILLUSTRATION 2:
ARBOR & BLADE GUARD ASSEMBLY

Item #	Part #	Description	Qty.
1	56007A	Arbor Assembly Complete (Includes Items 2 thru 13)	
2	56007	Arbor Shaft 24-1/2"L	1
3	10017	Key 1/4 Sq. x 2-3/8	1
4	50222	Bearing, Ball 1" Tapped Block	2
5	10907	Screw, Cap 3/8-16 x 3/4	4
6	10811	Washer, Lock 3/8	4
7	10025	Washer, Flat 3/8	4
8	10211	Pin, Roll 5/16 x 2	2
9	56026	Arbor Backing Plate 4"Dia.	2
10	56025	Arbor Blade Retaining Cap 4"Dia.	2
11	55009	Washer, Int. Tooth 1"	2
12	50019	Nut, Jam 1-14	2
13	80027	Sheave 3"OD x 3Gr.A x 1"Bore	1
14	50445	Wrench, Arbor 1-1/2	2
15	51005C	Blade Guard Assembly Complete (Includes Items 16 thru 21)	
16	51005	Guard, Blade 16"	1
17	3636	Spring, Ext. 6"L	2
18	10013	Nut 1/4-20	4
	10861	Nut, Keps 1/4-20	4
19	10018	Screw, Cap 1/4-20 x 3/4	4
20	10729	Barb, 3/8 Hose x 1/2 FPT	1
21	51026	Nozzle, Coolant	1
22	51027	Flap, Splash 2-1/2 x 6	1
23	10018	Screw, Cap 1/4-20 x 3/4	1
24	10602	Washer, Flat 1/4	2
25	10013	Nut 1/4-20	1
26	10802	Bolt, Carriage 3/8-16 x 1	1
27	10025	Washer, Flat 3/8	1
28	10811	Washer, Lock 3/8	1
29	10404	Nut 3/8-16	1
30	10409	Screw, Cap 1/2-20 x 4-1/2	1
31	10045	Washer, Lock 1/2	1
32	10312	Washer, Flat 1/2	1
33	56023	Hose, Water 3/8"ID x 45"L	1
34	56022	Bracket, Water Valve	1
35	10846	Screw, S.T. Hex Washer 1/4-20 x 1/2	2
36	10736	Barb Elbow 90°, 3/8 Hose x 3/8 MPT	1
37	10711	Valve, Ball 1/2 FPT	1
38	80021	Conn., Swivel Fem. 3/4 Hose x 1/2MPT	1
39	10070	Washer, Hose 3/4	1
40	10304	Screw, Cap 1/2-20 x 1	1

ILLUSTRATION 3: ENGINE ASSEMBLY - REWIND PULL START



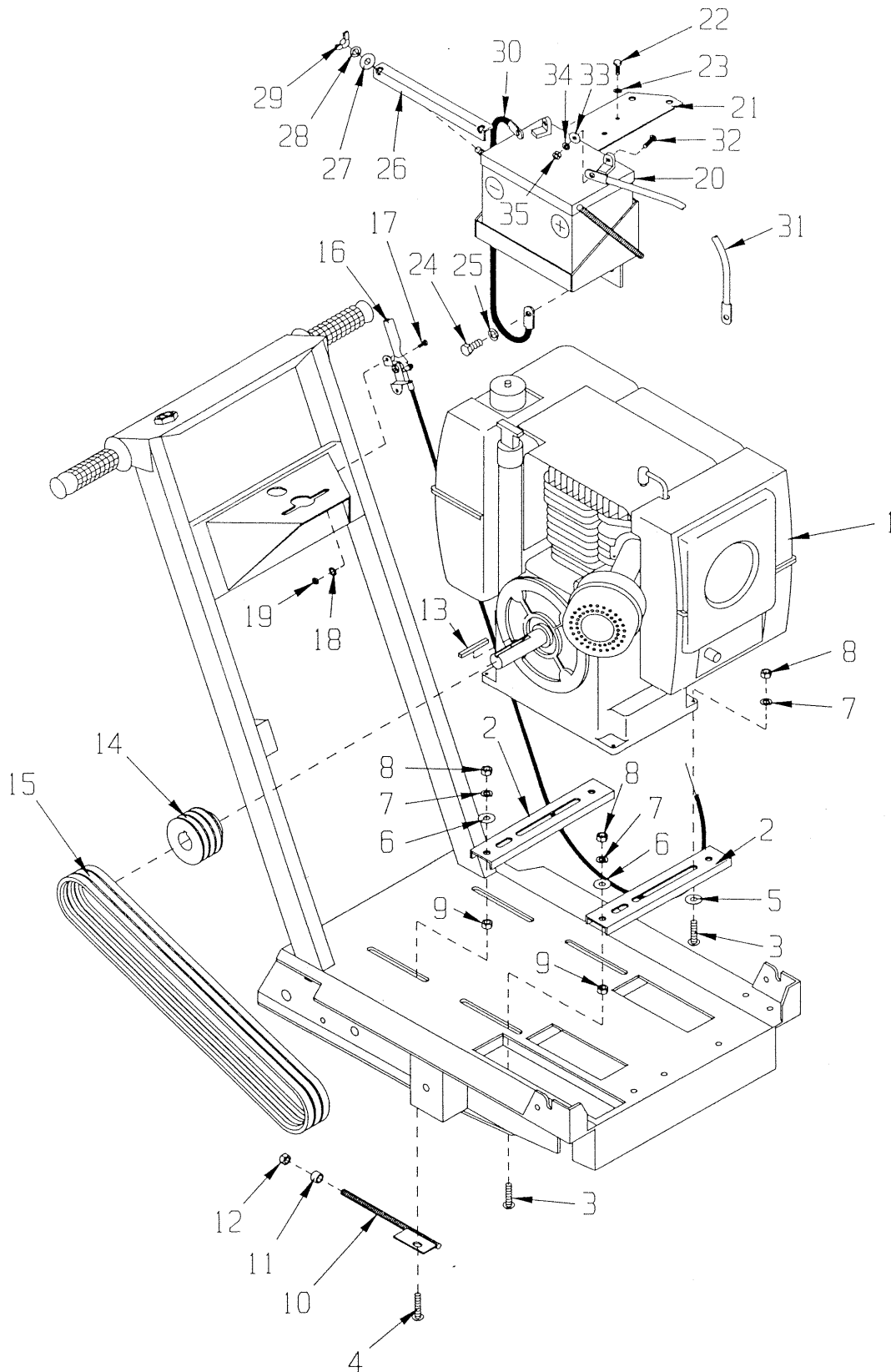
PARTS LISTING - ILLUSTRATION 3:
ENGINE ASSEMBLY (REWIND PULL START)

Item #	Part #	Description	Qty.
1		Engine	1
	76025	Honda GX240 8 HP	
	79045	Honda GX340 11 HP (Shown)	
	15029	Honda GX390 13 HP	
	15015	Kohler Magnum M8T 8 HP	
	15028	Kohler Magnum M14T 14 HP	
	79038	Wisconsin AENL 9.2 HP	
	15003	Wisconsin Robin EY44W 10.5 HP	
	4853	Briggs & Stratton I/C 8 HP	
	15013	Briggs & Stratton I/C 10 HP	
	15033	Briggs & Stratton Vanguard 9 HP	
	15014	Yanmar Diesel L90 9 HP	
2	84056	Mount, Universal Channel	2
3	10087	Bolt, Carriage 3/8-16 x 1-3/4	5
4	10804	Bolt, Carriage 3/8-16 x 1-1/2	3
5	10040	Washer, Garret 17/32	4
6	10025	Washer, Flat 3/8	8
7	10811	Washer, Lock 3/8	8
8	10404	Nut 3/8-16	8
9	10417	Nut 1/2-13	4
10	56016	Tensioner	1
11	10011	Spacer, Steel 5/8"OD 3/8"ID 3/8"W	1
12	10404	Nut 3/8-16	1
13	10071	Key 1/4 Sq. x 2-1/2	1
14		Sheave (Refer to Chart for Size)	1
	80027	3"OD x 3Gr.A x 1"Bore	
	81006	3"OD x 3Gr.A x 1-1/8"Bore	
15		Belt (Refer to Chart for Size)	3
	50018	AX-38	
	10080	AP-40	
16	3611	Cable, Throttle Lever-Type 54" (Note: Trim to appropriate length)	1
17	10830	Screw, Machine 10-32 x 1/2	2
18	10831	Washer, Internal Tooth #10	2
19	10832	Nut 10-32	2
20	50010	Switch Kit, Stop Button	1

BELT DRIVE SPECIFICATION CHART

Engine Model & Horse Power	Belt Size	Sheave Size
Honda GX240 8 HP	AX-38	3"OD 1"Bore
Honda GX340 11 HP (Shown)	AP-40	3"OD 1"Bore
Honda GX390 13 HP	AP-40	3"OD 1"Bore
Kohler Magnum M8T 8 HP	AX-38	3"OD 1"Bore
Kohler Magnum M14T 14 HP	AP-40	3"OD 1-1/8"Bore
Wisconsin AENL 9.2 HP	AX-38	3"OD 1-1/8"Bore
Wisconsin Robin EY44W 10.5 HP	AX-38	3"OD 1-1/8"Bore
Briggs & Stratton I/C 8 HP	AX-38	3"OD 1"Bore
Briggs & Stratton I/C 10 HP	AP-40	3"OD 1"Bore
Briggs & Stratton Vanguard 9 HP	AX-38	3"OD 1"Bore
Yanmar Diesel L90 9 HP	AP-40	3"OD 1"Bore

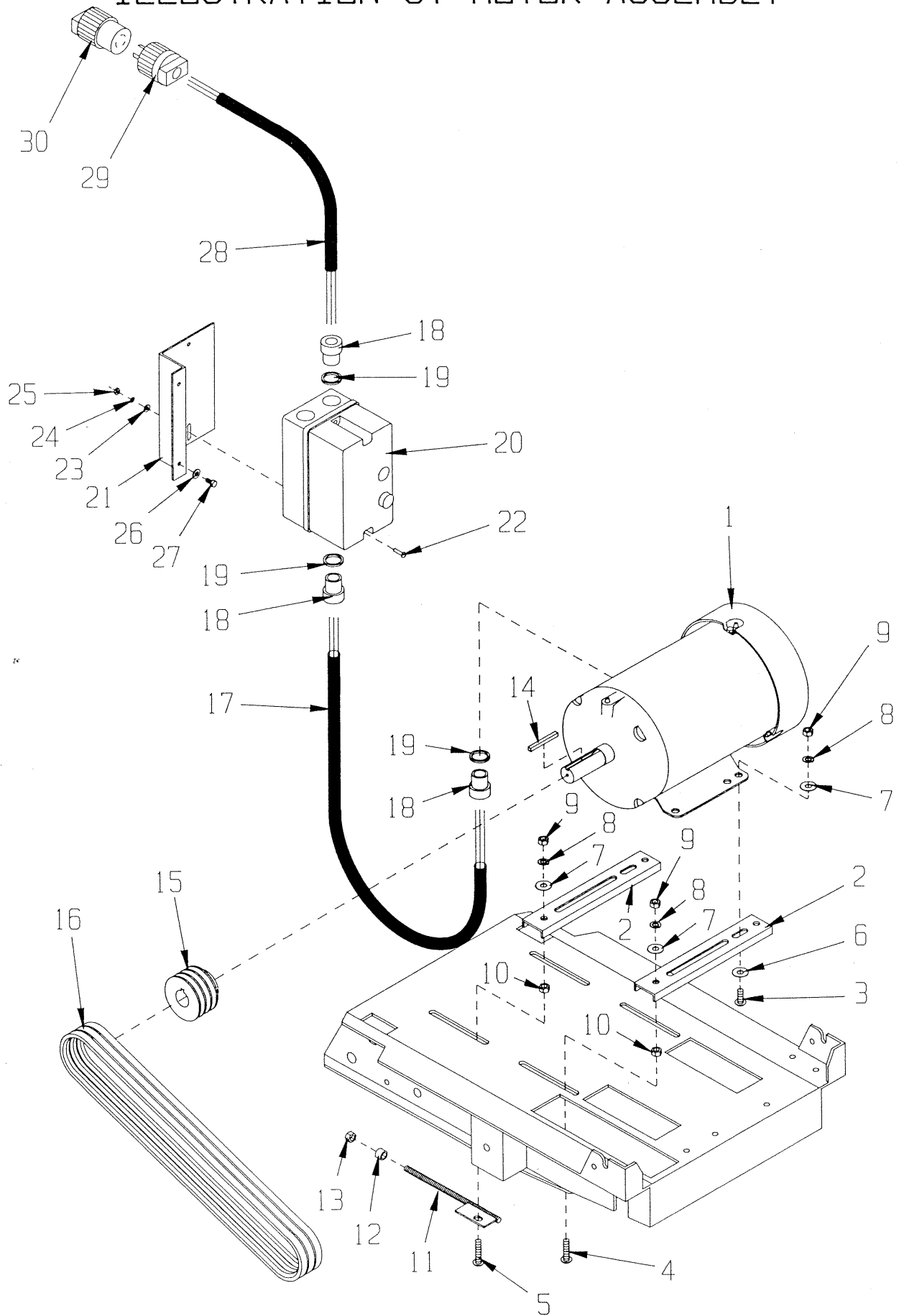
ILLUSTRATION 4: ENGINE ASSEMBLY - ELECTRIC START



PARTS LISTING - ILLUSTRATION 4:
ENGINE ASSEMBLY (ELECTRIC START)

Item #	Part #	Description	Qty.
1	15024	Engine, Kohler Magnum M16S 16 HP	1
2	84056	Mount, Universal Channel	2
3	10804	Bolt, Carriage 3/8-16 x 1-1/2	7
4	10087	Bolt, Carriage 3/8-16 x 1-3/4	1
5	10040	Washer, Garret 17/32	4
6	10025	Washer, Flat 3/8	4
7	10811	Washer, Lock 3/8	8
8	10404	Nut 3/8-16	8
9	10417	Nut 1/2-13	4
10	56016	Tensioner	1
11	10011	Spacer, Steel 5/8"OD 3/8"ID 3/8"W	1
12	10404	Nut 3/8-16	1
13	10071	Key 1/4"Sq. x 2-1/2	1
14	81006	Sheave 3"OD x 3Gr.A x 1-1/8"Bore	1
15	10080	Belt AP-40	3
16	3611	Cable, Throttle Lever-Type 54" (Note: Trim to appropriate length)	1
17	10830	Screw, Machine 10-32 x 1/2	2
18	10831	Washer, Internal Tooth #10	2
19	10832	Nut 10-32	2
20	84011	Battery 12 Volt/295 CCA	1
21	83011	Tray, Battery	1
22	10018	Screw, Cap 1/4-20 x 3/4	1
23	10038	Washer, Lock 1/4	1
24	10874	Screw, Cap 7/16-14 x 1	2
25	10450	Washer, Lock 7/16	2
26	84012	Clamp, Battery Hold-Down	1
27	10025	Washer, Flat 3/8	2
28	10811	Washer, Lock 3/8	2
29	10903	Nut, Wing 3/8-16	2
30	50117B	Cable, Eye-Eye 4 Ga. x 24" (Black)	1
31	50117R	Cable, Eye-Eye 4 Ga. x 24" (Red)	1
32	10412	Bolt, Carriage 1/4-20 x 1	2
33	10602	Washer, Flat 1/4	2
34	10038	Washer, Lock 1/4	2
35	10013	Nut 1/4-20	2

ILLUSTRATION 5: MOTOR ASSEMBLY



PARTS LISTING - ILLUSTRATION 5: MOTOR ASSEMBLY

Item #	Part #	Description	Qty.
1		Motor	1
	81014	Baldor 3 HP-1 PH, 60 Hz, 3450 RPM	
	81027	Baldor 3 HP-3 PH, 60 Hz, 3450 RPM	
	16012	Baldor 3 HP-3 PH, 50 Hz, 2850 RPM	
	81026	Baldor 5 HP-1 PH, 60 Hz, 3450 RPM	
	81022	Baldor 5 HP-3 PH, 60 Hz, 3450 RPM	
	16020	Baldor 5 HP-3 PH, 50 Hz, 2850 RPM	
2	84056	Mount, Universal Channel	2
3	10802	Bolt, Carriage 3/8-16 x 1	4
4	10804	Bolt, Carriage 3/8-16 x 1-1/2	3
5	10087	Bolt, Carriage 3/8-16 x 1-3/4	1
6	10040	Washer, Garret 17/32	4
7	10025	Washer, Flat 3/8	8
8	10811	Washer, Lock 3/8	8
9	10404	Nut 3/8-16	8
10	10417	Nut 1/2-13	2
11	56016	Tensioner	1
12	10011	Spacer, Steel 5/8"OD 3/8"ID 3/8"W	1
13	10404	Nut 3/8-16	1
14	10071	Key 1/4"Sq. x 2-1/2	1
15	81006	Sheave 3"OD x 3Gr.A x 1-1/8"Bore	1
16	50018	Belt AX-38	3
*17		Wire Harness (See Note)	1
	86024	10/3 x 36"LOA	
	86023	12/4 x 36"LOA	
18	10605	Connector, Strain Relief 3/4 NPT x .650-.750"Range	3
19	10740	Conduit Lock Nut 3/4 NP	3
20		Starter (Specify HP, Phase, Volts, Amps, Hz)	1
	40061	CBK3-16 W/ Small Enclosure (3 HP)	
	85045	CBK3-30 W/ Large Enclosure (5 HP)	
21		Mounting Bracket	1
	77059	Brkt. for CBK3-16 Starter (3 HP)	
	86027	Brkt. for CBK3-30 Starter (5 HP)	
22	10362	Screw, Machine 8-32 x 3/4	2
23	10850	Washer, Flat #10	2
24	10461	Washer, Internal Tooth #8	2
25	10462	Nut 8-32	2
26	10038	Washer, Lock 1/4	2
27	10846	Screw, Flg.Hd.Self-Tap 1/4-20 x 1/2	2
*28		Wire Harness (See Note)	1
	86026	10/3 x 24"LOA	
	86022	12/4 x 24"LOA	
*29	40037	Plug, Locking 20A/250V	1
*30	40000	Plug Connector, Locking 20A/250V	1

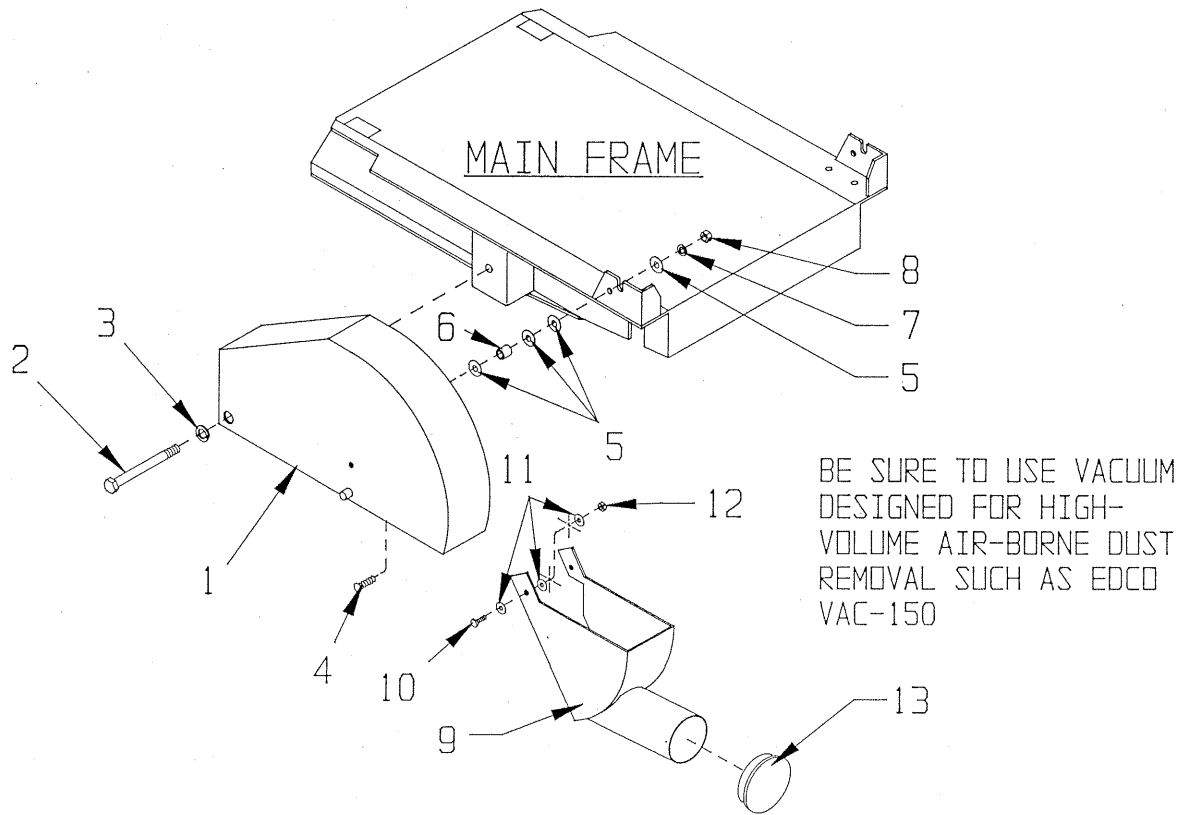
* Note:

Plug and Connector (Items 29 & 30)
are not supplied on 3 Phase units.
1-Phase unit use 10/3 Wire Harness
3-Phase unit use 12/4 Wire Harness

MARCH 1994

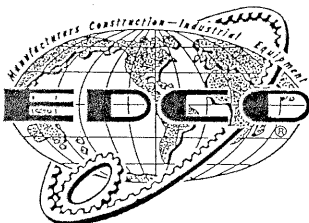
MODEL DS-16 DRY "UP-CUT"

OPTIONAL 14" BLADE GUARD
WITH 3" VACUUM ATTACHMENT
(RIGHT SIDE SHOWN)



BE SURE TO USE VACUUM
DESIGNED FOR HIGH-
VOLUME AIR-BORNE DUST
REMOVAL SUCH AS EDCO
VAC-150

Item #	Part #	Description	Qty.
1-13	56030	Guard Assy., Dry Up-Cut, 14" Blade (Includes Items 1 thru 13)	
1	56031	Guard Only, Dry Up-Cut, 14" Blade	1
2	10376	Screw, Cap 1/2-13 x 5	1
3	10045	Washer, Lock 1/2	1
4	10804	Bolt, Carriage 3/8-16 x 1-1/2	1
5	10025	Washer, Flat 3/8	4
6	10011	Spacer, Steel 5/8"OD 3/8"ID 3/8"W	1
7	10811	Washer, Lock 3/8	1
8	10404	Nut 3/8-16	1
9	56032	Guard Vac Attachment, Dry Up-Cut	1
10	10053	Screw, Cap 5/16-18 x 3/4	2
11	10213	Washer, Flat 5/16	6
12	10807	Nut, Lock 5/16-18	2
13	64030	Plug, Cap 3"	1



EQUIPMENT DEVELOPMENT COMPANY, INC.

100 THOMAS JOHNSON DRIVE, FREDERICK, MARYLAND 21702-4305 USA
PHONE (301)663-1600 TOLL FREE 1-800-638-3326
FAX (301)663-1607 FAX FREE 1-800-447-3326

PRINTED IN U.S.A.