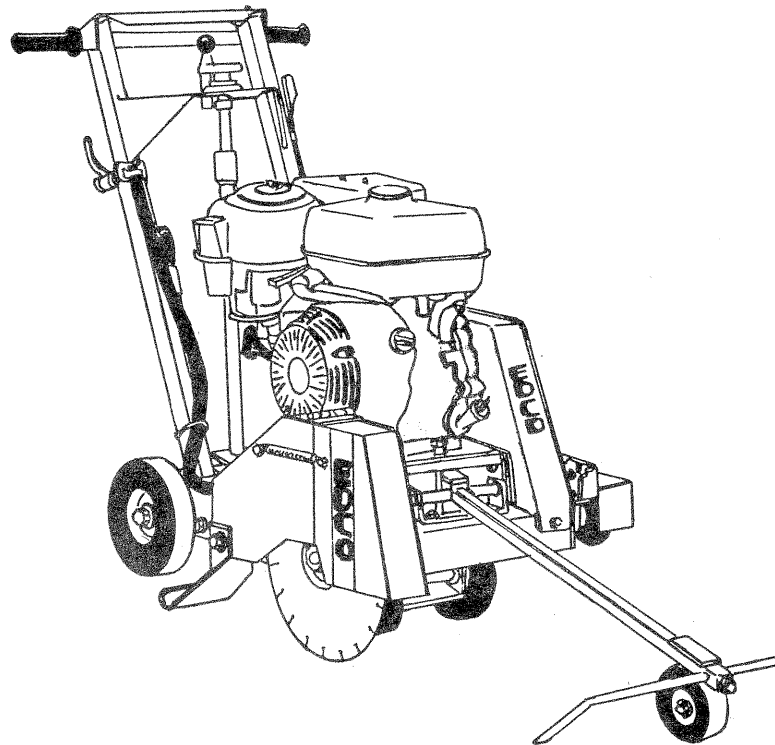


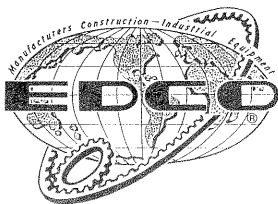
REVISED JULY 1997
STARTING SERIAL #15165

CONCRETE / ASPHALT SAW

PARTS LIST MANUAL



Model DS-16 "DOWN-CUT"



EQUIPMENT DEVELOPMENT COMPANY, INC.

100 THOMAS JOHNSON DRIVE, FREDERICK, MARYLAND 21702-4305 USA

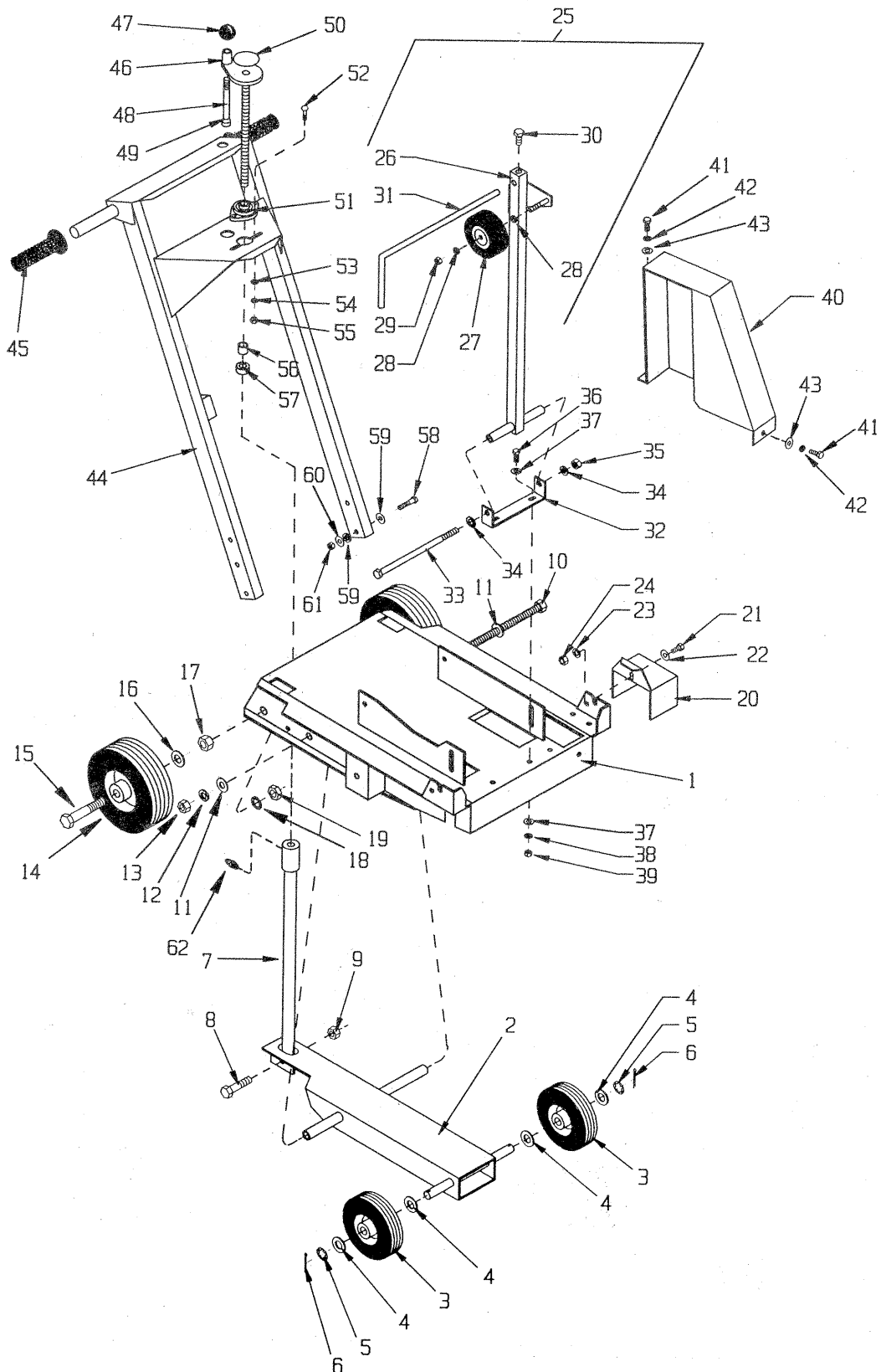
PHONE (301) 663-1600

TOLL FREE 1-800-638-3326

FAX (301) 663-1607

FAX FREE 1-800-447-3326

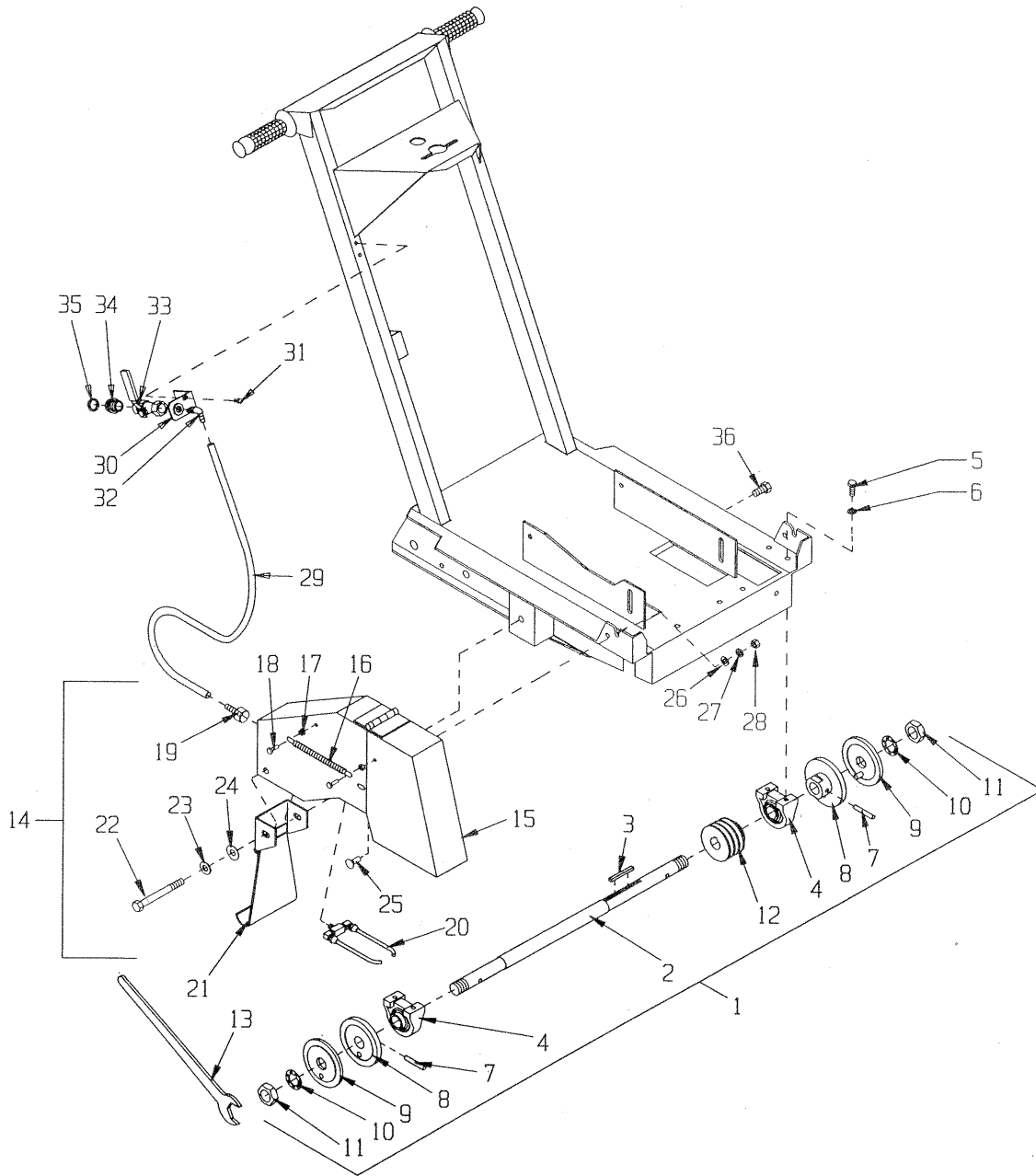
ILLUSTRATION 1 : FRAME ASSEMBLY



PARTS LISTING - ILLUSTRATION 1: FRAME ASSEMBLY

| Item # | Part # | Description | Qty. |
|--------|--------|---|------|
| 1 | 56070 | Main Frame | 1 |
| 2 | 56004D | Fork | 1 |
| 3 | 80028 | Wheel 6 x 2 x 3/4" Brg. | 2 |
| 4 | 10009 | Washer, Flat 3/4 | 4 |
| 5 | 20050 | Clip, Retaining 3/4 | 2 |
| 6 | 10306 | Pin, Cotter 3/16 x 1-1/2 | 2 |
| 7 | 56003 | Linkage, Cut Control | 1 |
| 8 | 10322 | Screw, Cap 1/2-20 x 2 | 1 |
| 9 | 10205 | Nut, Lock 1/2-20 | 1 |
| 10 | 56005 | Bolt, Allthread Rod 5/8-11 x 16 | 1 |
| 11 | 10073 | Washer, Flat 5/8 | 2 |
| 12 | 10041 | Washer, Lock 5/8 | 1 |
| 13 | 10046 | Nut 5/8-11 | 1 |
| 14 | 79013 | Wheel 8 x 2-1/2 x 3/4" Brg. | 2 |
| 15 | 10406 | Screw, Cap 3/4-16 x 4 | 2 |
| 16 | 10009 | Washer, Flat 3/4 | 2 |
| 17 | 10405 | Nut 3/4-16 | 2 |
| 18 | 10609 | Washer, Lock, Int. Tooth 3/4 | 2 |
| 19 | 10429 | Nut, Jam 3/4-16 | 2 |
| 20 | 51010 | Cover, Arbor | 1 |
| 21 | 10055 | Screw, Cap 3/8-16 x 1 | 1 |
| 22 | 10025 | Washer, Flat 3/8 | 1 |
| 23 | 10811 | Washer, Lock 3/8 | 1 |
| 24 | 10404 | Nut 3/8-16 | 1 |
| 25 | 56021A | Guide Bar Assembly (Includes Items 26 thru 39) | |
| 26 | 56021 | Bar, Guide | 1 |
| 27 | 50024 | Wheel 4 x 1-3/8 x 3/8" Bore | 1 |
| 28 | 10025 | Washer, Flat 3/8 | 2 |
| 29 | 10004 | Nut, Lock 3/8-24 | 1 |
| 30 | 10304 | Screw, Cap 1/2-20 x 1 | 1 |
| 31 | 51012 | Guide, Front | 1 |
| 32 | 56020 | Bracket, Guide Bar | 1 |
| 33 | 65015 | Screw, Cap 1/2-13 x 8" | 1 |
| 34 | 10312 | Washer, Flat 1/2 | 2 |
| 35 | 10155 | Nut, Hex Nylon Lock 1/2-13 | 1 |
| 36 | 10021 | Screw, Cap 3/8-24 x 1 | 2 |
| 37 | 10025 | Washer, Flat 3/8 | 4 |
| 38 | 10811 | Washer, Lock 3/8 | 2 |
| 39 | 10014 | Nut 3/8-24 | 2 |
| 40 | 56104 | Cover, Belt | 1 |
| 41 | 10053 | Screw, Cap 5/16-18 x 3/4 | 2 |
| 42 | 10801 | Washer, Lock 5/16 | 2 |
| 43 | 10213 | Washer, Flat 5/16 | 2 |
| 44 | 56002D | Handle Bar | 1 |
| 45 | 61108 | Grip, Hand 1" Model SX | 2 |
| 46 | 81023 | Handwheel, Small w/ 5/8-8 x 12" Rod | 1 |
| 47 | 14023 | Knob, Ball 1-3/8" Dia. w/ 1/2-13 Thd | 1 |
| 48 | 10346 | Screw, Skt.Hd.Cap 1/2-13 x 4-1/2 | 1 |
| 49 | 50550 | Sleeve for 1/2" Capscrew, Tapered | 1 |
| 50 | 80007 | Decal, "Cut Control"- Dn/Up (small) | 1 |
| 51 | 80009 | Bearing, Ball 5/8" 2-Hole Flange | 1 |
| 52 | 10412 | Bolt, Carriage 1/4-20 x 1 | 2 |
| 53 | 10602 | Washer, Flat 1/4 | 2 |
| 54 | 10038 | Washer, Lock 1/4 | 2 |
| 55 | 10013 | Nut 1/4-20 | 2 |
| 56 | 55010 | Spacer, Handwheel 5/8" ID x 3/4 | 1 |
| 57 | 10096 | Collar, Locking 5/8" ID | 1 |
| 58 | 10029 | Screw, Cap 3/8-24 x 1-3/4 | 4 |
| 59 | 10025 | Washer, Flat 3/8 | 8 |
| 60 | 10811 | Washer, Lock 3/8 | 4 |
| 61 | 10004 | Nut, Lock 3/8-24 | 4 |
| 62 | 10808 | Fitting, Grease 1/4-28 Straight | 1 |

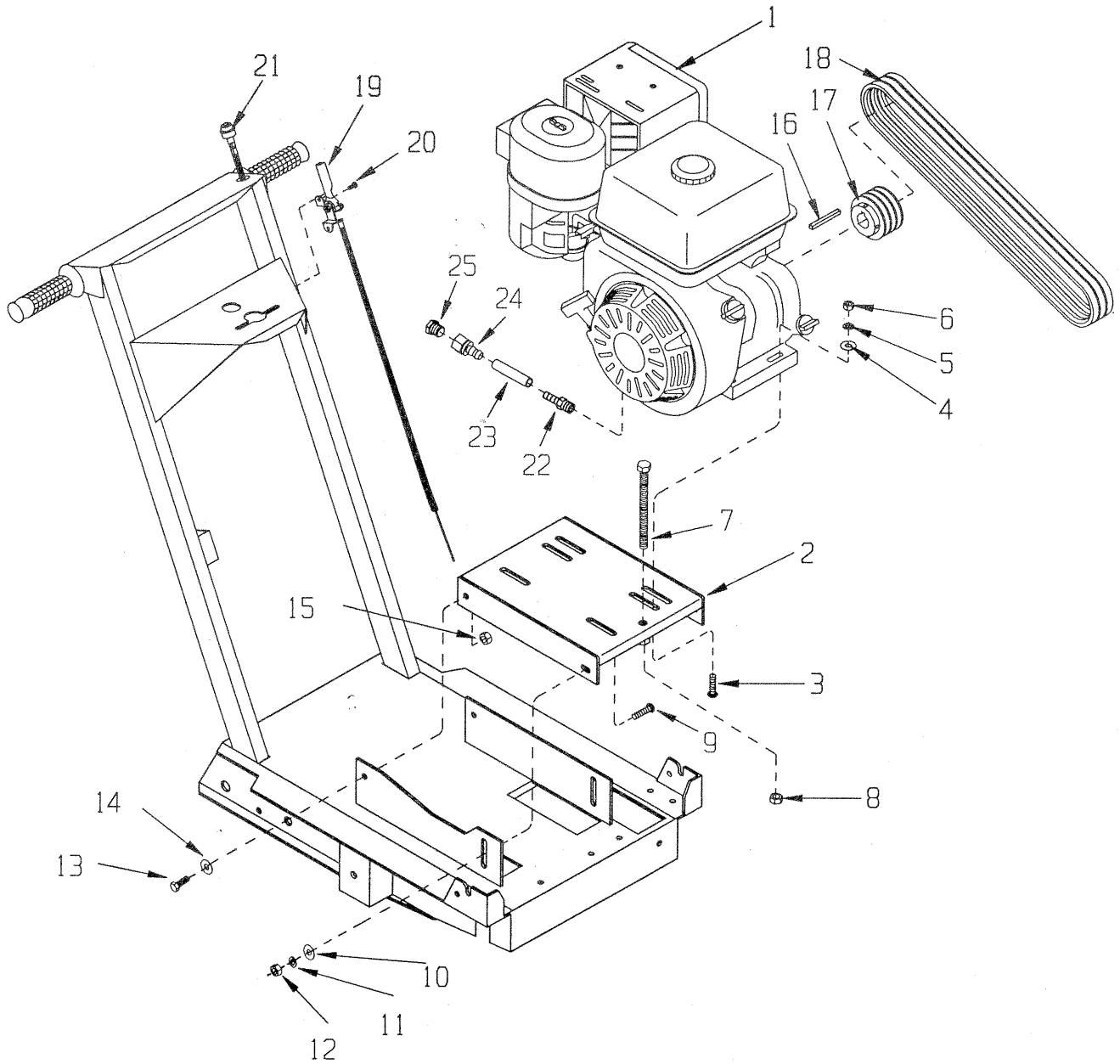
ILLUSTRATION 2 : ARBOR & BLADE GUARD ASSEMBLY



PARTS LISTING - ILLUSTRATION 2:
ARBOR & BLADE GUARD ASSEMBLY

| Item # | Part # | Description | Qty. |
|--------|------------------------|--|------|
| 1 | 56007A | Arbor Assembly Complete (Includes Items 2 thru 13) | |
| 2 | 56007 | Arbor Shaft 24-1/2"L | 1 |
| 3 | 10071 | Key 1/4 Sq. x 2-1/2 | 1 |
| 4 | 50222 | Bearing, Ball 1" Tapped Pillow Block | 2 |
| 5 | 10907 | Screw, Cap 3/8-16 x 3/4 | 4 |
| 6 | 10811 | Washer, Lock 3/8 | 4 |
| 7 | 10211 | Pin, Roll 5/16 x 2 | 2 |
| 8 | 56026 | Arbor Backing Plate 4"Dia. | 2 |
| 9 | 56025 | Arbor Blade Retaining Cap 4"Dia. | 2 |
| 10 | 55009 | Washer, Lock, Int. Tooth 1" | 2 |
| 11 | 50019 | Nut, Jam 1-14 | 2 |
| 12 | 80027 | Sheave 3"OD x 3Gr.A x 1"Bore | 1 |
| 13 | 50445 | Wrench, Arbor 1-1/2 | 2 |
| 14 | 51005C | Blade Guard Assembly Complete (Includes Items 16 thru 21) | |
| 15 | 51005 | Guard, Blade 16" | 1 |
| 16 | 3636 | Spring, Ext. 6"L | 2 |
| 17 | 10013 | Nut 1/4-20 | 4 |
| | 10861 | Nut, Keps 1/4-20 | 4 |
| 18 | 10018 | Screw, Cap 1/4-20 x 3/4 | 4 |
| 19 | 10729 | Barb, 3/8 Hose x 1/2 FPT | 1 |
| 20 | 51026 | Nozzle, Coolant | 1 |
| 21 | 56024 | Guard, Steel Flap | 1 |
| 22 | 10409 | Screw, Cap 1/2-20 x 4-1/2 | 1 |
| 23 | 10045 | Washer, Lock 1/2 | 1 |
| 24 | 10312 | Washer, Flat 1/2 | 1 |
| 25 | 10802 | Bolt, Carriage 3/8-16 x 1 | 1 |
| 26 | 10025 | Washer, Flat 3/8 | 1 |
| 27 | 10811 | Washer, Lock 3/8 | 1 |
| 28 | 10404 | Nut 3/8-16 | 1 |
| 29 | 56023 | Hose, Water 3/8"ID x 45"L | 1 |
| 30 | 56022 | Bracket, Water Valve | 1 |
| 31 | 10846 | Screw, S.T. Hex Washer 1/4-20 x 1/2 | 2 |
| 32 | 10736 10736 | Barb Elbow 90°, 3/8 Hose x 3/8 MPT | 1 |
| 33 | 10711 | Valve, Ball 1/2 FPT ^{1/4} | 1 |
| 34 | 80021 | Conn., Swivel Fem. 3/4 Hose x 1/2MPT | 1 |
| 35 | 10070 | Washer, Hose 3/4 | 1 |
| 36 | 10304 | Screw, Cap 1/2-20 x 1 | 1 |

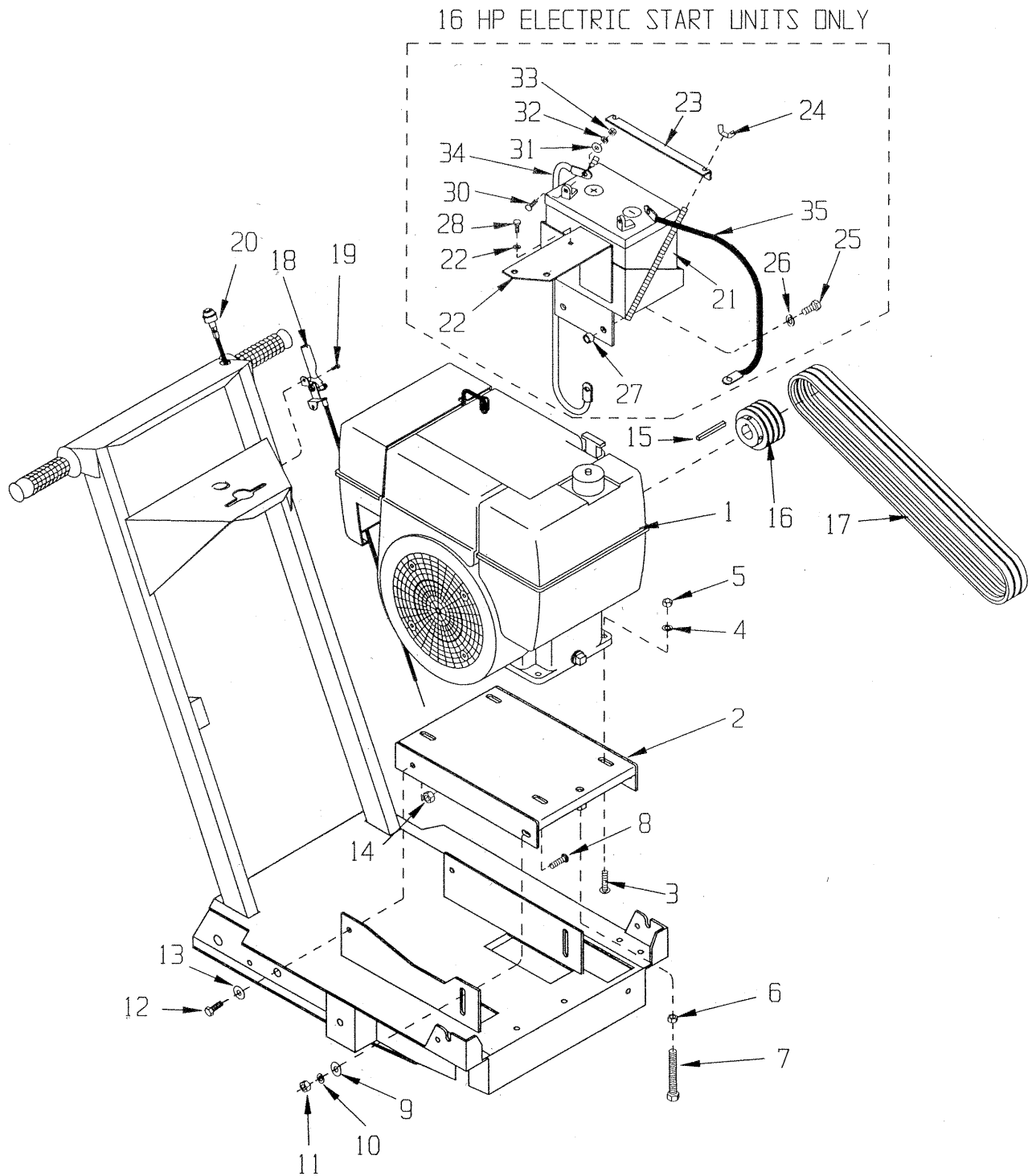
ILLUSTRATION 3: HONDA ENGINE ASSEMBLY



PARTS LISTING - ILLUSTRATION 3: HONDA ENGINE ASSEMBLY

| Item # | Part # | Description | Qty. |
|--------|--------|---|------|
| 1 | | Engine | 1 |
| | 79045 | Honda 11 HP GX340 | |
| | 15029 | Honda 13 HP GX390 | |
| 2 | 56113 | Mount, Honda Engine | 1 |
| 3 | 10087 | Bolt, Carriage 3/8-16 x 1-3/4 | 4 |
| 4 | 10025 | Washer, Flat 3/8 | 4 |
| 5 | 10811 | Washer, Lock 3/8 | 4 |
| 6 | 10404 | Nut 3/8-16 | 4 |
| 7 | 10373 | Bolt, Tap 1/2-13 x 5 (Full Thread) | 1 |
| 8 | 10417 | Nut 1/2-13 | 1 |
| 9 | 10802 | Bolt, Carriage 3/8-16 x 1" | 2 |
| 10 | 10025 | Washer, Flat 3/8 | 2 |
| 11 | 10811 | Washer, Lock 3/8 | 2 |
| 12 | 10404 | Nut 3/8-16 | 2 |
| 13 | 10021 | Screw, Cap 3/8-24 x 1 | 2 |
| 14 | 10025 | Washer, Flat 3/8 | 2 |
| 15 | 10004 | Nut, Lock 3/8-24 | 2 |
| 16 | 10071 | Key 1/4 Sq. x 2-1/2 | 1 |
| 17 | 80027 | Sheave 3" OD x 3 Gr.A x 1" Bore | 1 |
| 18 | 10249 | Belt AX-31 | 3 |
| 19 | 3611 | Cable, Throttle Control, Lever-Type 54"(Note:Trim to appropriate length) | 1 |
| 20 | 10877 | Screw, S.T.Hex Washer 10-24 x 1/2 | 2 |
| 21 | 50010 | Switch Kit, Stop Button, 7/8" Hole | 1 |
| 22 | 11542 | Barb, Push-On 3/8 Hose x 12mm x 1.50 Male | 1 |
| 23 | 56116 | Hose, Push-On 3/8" ID x 3" L | 1 |
| 24 | 11544 | Barb, Push-On 3/8 Hose x 1/4 FPT | 1 |
| 25 | 10776 | Pipe Plug 1/4 NPT (Brass) | 1 |

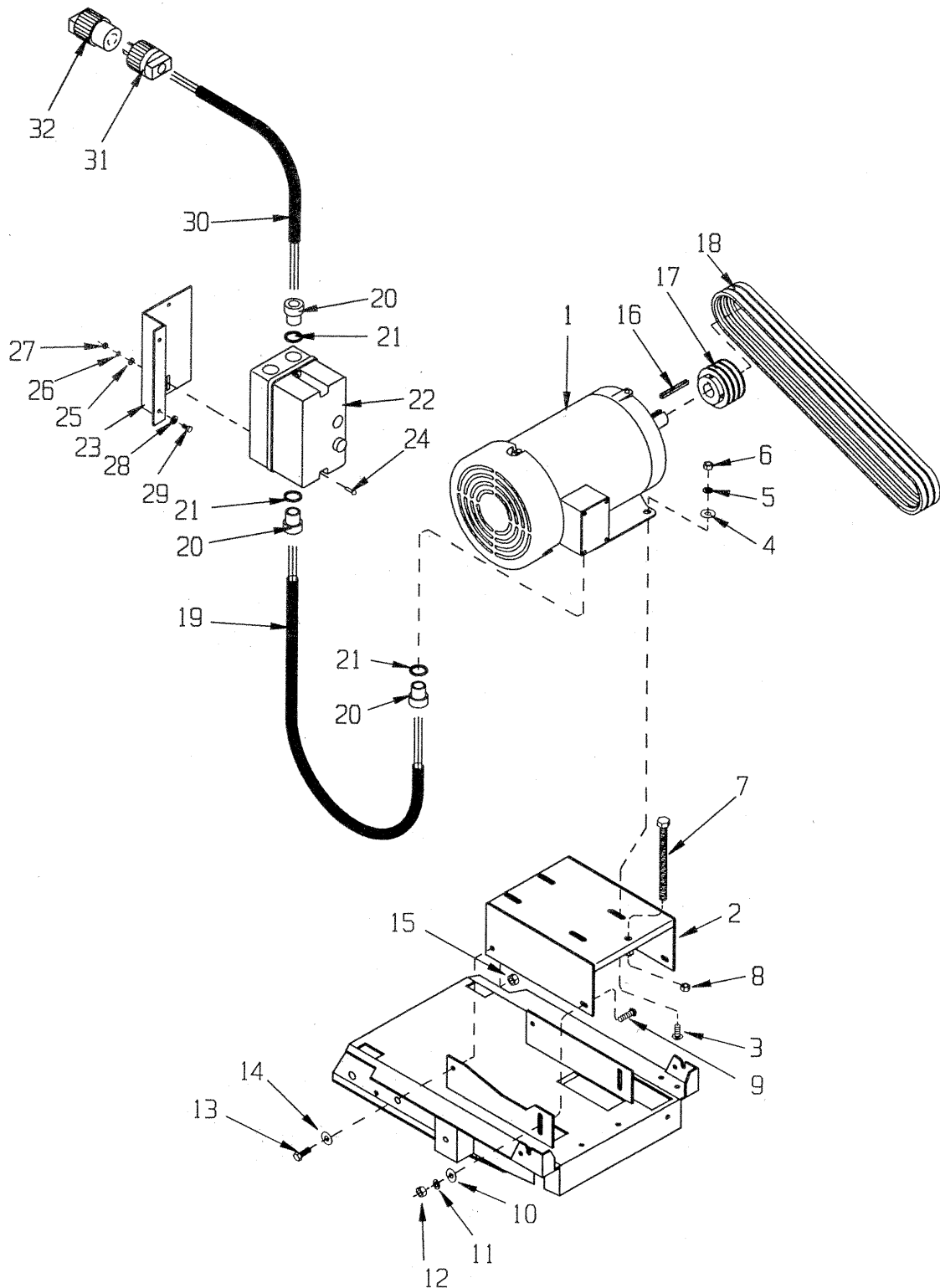
ILLUSTRATION 4 : KOHLER ENGINE ASSEMBLY



PARTS LISTING - ILLUSTRATION 4:
KOHLER ENGINE ASSEMBLY

| Item # | Part # | Description | Qty. |
|--------|--------|---|------|
| 1 | | Engine | 1 |
| | 15028 | 14 HP Kohler Magnum M14T(Pull Start) | |
| | 15024 | 16 HP Kohler Magnum M16S(Elec.Start) | |
| 2 | 56117 | Mount, Kohler Engine | 1 |
| 3 | 10804 | Bolt, Carriage 3/8-16 x 1-1/2 | 4 |
| 4 | 10811 | Washer, Lock 3/8 | 4 |
| 5 | 10404 | Nut 3/8-16 | 4 |
| 6 | 10417 | Nut 1/2-13 | 1 |
| 7 | 10340 | Bolt, Tap 1/2-13 x 3 (Full Thread) | 1 |
| 8 | 10802 | Bolt, Carriage 3/8-16 x 1" | 2 |
| 9 | 10025 | Washer, Flat 3/8 | 2 |
| 10 | 10811 | Washer, Lock 3/8 | 2 |
| 11 | 10404 | Nut 3/8-16 | 2 |
| 12 | 10021 | Screw, Cap 3/8-24 x 1 | 2 |
| 13 | 10025 | Washer, Flat 3/8 | 2 |
| 14 | 10004 | Nut, Lock 3/8-24 | 2 |
| 15 | 10071 | Key 1/4" Sq. x 2-1/2 | 1 |
| 16 | 81006 | Sheave 3" OD x 3Gr.A x 1-1/8" Bore | 1 |
| 17 | 81007 | Belt AX-33 | 3 |
| 18 | 3611 | Cable, Throttle Lever-Type 54" (Note:Trim to appropriate length) | 1 |
| 19 | 10877 | Screw, S.T. Hex Washer 10-24 x 1/2 | 2 |
| 20 | 50010 | Switch Kit, Stop Button 7/8" Hole | 1 |
| 21 | 84011 | Battery 12 Volt/295 CCA | 1 |
| 22 | 83011 | Tray, Battery | 1 |
| 23 | 84012 | Clamp, Battery Hold-Down | 1 |
| 24 | 10903 | Nut, Wing 3/8-16 | 2 |
| 25 | 10874 | Screw, Cap 7/16-14 x 1 | 2 |
| 26 | 10450 | Washer, Lock 7/16 | 2 |
| 27 | 86109 | Spacer, Steel 5/8"OD x 7/16"ID x 3/8 | 2 |
| 28 | 10018 | Screw, Cap 1/4-20 x 3/4 | 1 |
| 29 | 10038 | Washer, Lock 1/4 | 1 |
| 30 | 10412 | Bolt, Carriage 1/4-20 x 1 | 2 |
| 31 | 10602 | Washer, Flat 1/4 | 2 |
| 32 | 10038 | Washer, Lock 1/4 | 2 |
| 33 | 10013 | Nut 1/4-20 | 2 |
| 34 | 50117R | Cable, Eye-Eye 4 Ga. x 24" (Red) | 1 |
| 35 | 50117B | Cable, Eye-Eye 4 Ga. x 24" (Black) | 1 |

ILLUSTRATION 5 : MOTOR ASSEMBLY



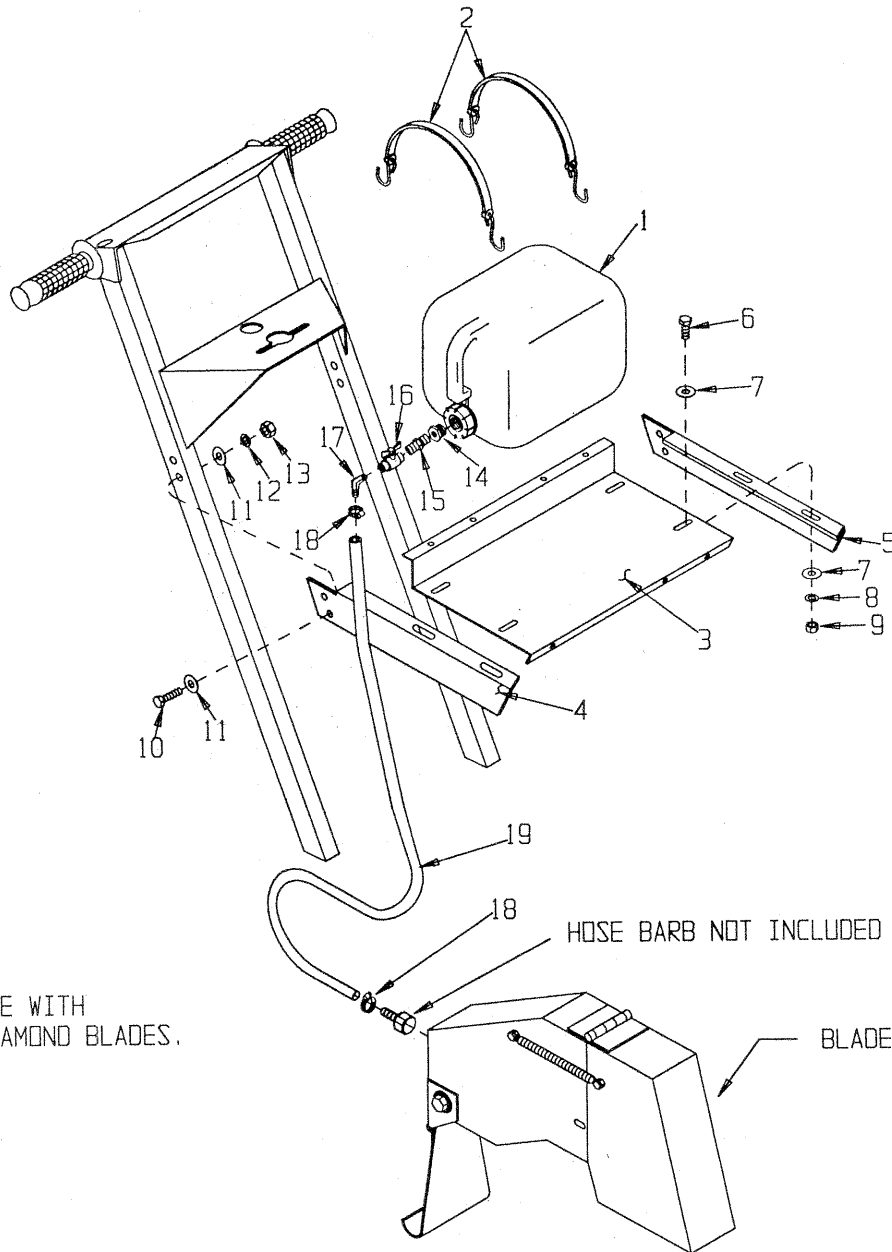
PARTS LISTING - ILLUSTRATION 5: MOTOR ASSEMBLY

| Item # | Part # | Description | Qty. |
|--------|--------|--|------|
| 1 | | Motor | 1 |
| | 81026 | Baldor 5 HP-1 PH, 60 Hz, 3450 RPM | |
| | 81022 | Baldor 5 HP-3 PH, 60 Hz, 3450 RPM | |
| | 16020 | Baldor 5 HP-3 PH, 50 Hz, 2850 RPM | |
| 2 | 56114 | Mount, Electric Motor | 1 |
| 3 | 10804 | Bolt, Carriage 3/8-16 x 1-1/2 | 4 |
| 4 | 10025 | Washer, Flat 3/8 | 4 |
| 5 | 10811 | Washer, Lock 3/8 | 4 |
| 6 | 10404 | Nut 3/8-16 | 4 |
| 7 | 51067 | Bolt, Allthread Rod 1/2-13 x 6 1/2 | 1 |
| 8 | 10417 | Nut 1/2-13 | 1 |
| 9 | 10802 | Bolt, Carriage 3/8-16 x 1" | 2 |
| 10 | 10025 | Washer, Flat 3/8 | 2 |
| 11 | 10811 | Washer, Lock 3/8 | 2 |
| 12 | 10404 | Nut 3/8-16 | 2 |
| 13 | 10021 | Screw, Cap 3/8-24 x 1 | 2 |
| 14 | 10025 | Washer, Flat 3/8 | 2 |
| 15 | 10004 | Nut, Lock 3/8-24 | 2 |
| 16 | 10071 | Key 1/4" Sq. x 2-1/2 | 1 |
| 17 | 81006 | Sheave 3" OD x 3 Gr.A x 1-1/8 Bore | 1 |
| 18 | 10233 | Belt AX-34 | 3 |
| *19 | | Wire Harness (See Note) | 1 |
| | 56118 | 10/3 x 46" LOA | 1 |
| | 56119 | 12/4 x 46" LOA | |
| 20 | 10605 | Connector, Strain Relief 3/4 NPT x .650-.750" Range | 3 |
| 21 | 10740 | Conduit Lock Nut 3/4 NP | 3 |
| 22 | 85045 | Starter CA3-30 w/ Large Enclosure (Specify HP, Phase, Volts, Amps,Hz) | 1 |
| 23 | 86027 | Mounting Brkt., Large CA3-30 Starter | 1 |
| 24 | 10362 | Srew, Machine 8-32 x 3/4 | 2 |
| 25 | 10850 | Washer, Flat # 10 | 2 |
| 26 | 10461 | Washer, Lock, Int. Tooth #8 | 2 |
| 27 | 10462 | Nut 8-32 | 2 |
| 28 | 10038 | Washer, Lock 1/4 | 2 |
| 29 | 10846 | Screw, S.T Hex Washer 1/4-20 x 1/2 | 2 |
| *30 | | Wire Harness (See Note) | 1 |
| | 86026 | 10/3 x 24" LOA | |
| | 86022 | 12/4 x 24" LOA | |
| *31 | 40037 | Plug, Locking 20A/250V | 1 |
| *32 | 40000 | Plug Connector, Locking 20A/250V | 1 |

* Note:

Plug and Connector (Items 31 & 32)
are not supplied on 3 Phase units.
1-Phase unit use 10/3 Wire Harness
3-Phase unit use 12/4 Wire Harness

ILLUSTRATION 6:
OPTIONAL WATER TANK ASSEMBLY
PART NO. 51090



NOTE:
NOT FOR USE WITH
WET CUT DIAMOND BLADES.

PARTS LISTING - ILLUSTRATION 6 :
OPTIONAL WATER TANK ASSEMBLY PART NO. 51090

| Item # | Part # | Description | Qty. |
|--------|--------|--|------|
| 1 | 52031 | Drum, Plastic 5 Gallon, 3/4 NPT Cap | 1 |
| 2 | 52035 | Tie-Down Strap, Molded Rubber 24" | 2 |
| 3 | 52036 | Tray, Water Tank | 1 |
| 4 | 51091 | Mount Bracket, Water Tank (Right) | 1 |
| 5 | 51092 | Mount Bracket, Water Tank (Left) | 1 |
| 6 | 10053 | Screw, Cap 5/16-18 x 3/4 | 4 |
| 7 | 10213 | Washer, Flat 5/16 | 8 |
| 8 | 10801 | Washer, Lock 5/16 | 4 |
| 9 | 10054 | Nut 5/16-18 | 4 |
| 10 | 10068 | Screw, Cap 3/8-16 x 1-1/2 | 4 |
| 11 | 10025 | Washer, Flat 3/8 | 8 |
| 12 | 10811 | Washer, Lock 3/8 | 4 |
| 13 | 10404 | Nut 3/8-16 | 4 |
| 14 | 52034 | Bushing, Hex 3/4 x 1/4 NPT (Brass) | 1 |
| 15 | ----- | End Connector 1/4 NPT (Included w/ Valve Kit, Item #16) | 1 |
| 16 | 52032 | Valve, Labcock Kit 1/4 NPT | 1 |
| 17 | 10799 | Barb, Elbow 90° 3/8 Hose x 1/4 MPT | 1 |
| 18 | 50069 | Clamp, Hose Size M6, Adj. to 13/16" | 2 |
| 19 | 52039 | Hose, Water 3/8"ID x 48"L | 1 |

