

REVISED STARTING
SERIAL # 120410049

PARTS LIST MANUAL

MODEL SB14



**GASOLINE
MODEL**



**ELECTRIC MODEL
WITH VACUUM TUBE**



**AIR POWERED
MODEL**

14" UPCUT - CONCRETE AND ASPHALT WALK BEHIND SAWS

SKU #	MODEL #	POWER OPTION
43100	SB14-9H	HONDA GASOLINE ENGINE MODEL GX270U1-QXC9
42500	SB14-11H	HONDA GASOLINE ENGINE MODEL GX340U1-QXC9
48200	SB14-13H	HONDA GASOLINE ENGINE MODEL GX390U1-QXC9
42600	SB14-5B/230/1	BALDOR ELECTRIC MOTOR 5HP 1PH 60Hz 230V
40650-230	SB14-5B/230/3	BALDOR ELECTRIC MOTOR 5HP 3PH 60Hz 230V
40650-460	SB14-5B/460/3	BALDOR ELECTRIC MOTOR 5HP 3PH 60Hz 460V
47200	ASB14-5G	GAST AIR MOTOR 5HP



A Division of Equipment Development Company, Inc.

100 Thomas Johnson Drive, Frederick, MD 21702-4600 USA
Phone (301) 663-1600 • 1-800-638-3326
Fax (301) 663-1607 • 1-800-447-3326
Website: www.edcoinc.com
Email: sales@edcoinc.com

Printed in USA

JWA ©2012

READ AND UNDERSTAND THE OPERATORS INSTRUCTION MANUAL THOROUGHLY BEFORE ATTEMPTING TO OPERATE THIS EQUIPMENT.



Death or serious injury could occur if this machine is used improperly.



SAFETY MESSAGES

- Safety Instructions are preceded by a graphic alert symbol of DANGER, WARNING, or CAUTION.



Indicates an imminent hazard which, if not avoided, will result in death or serious injury.



Indicates an imminent hazard which, if not avoided, can result in death or serious injury.



Indicates hazards which, if not avoided, could result in serious injury and or damage to the equipment.

GASOLINE/PROPANE POWERED EQUIPMENT



- Engine exhaust from this product contains chemicals known to the State of California to cause cancer, birth defects or other reproductive harm.



- Gasoline is extremely flammable and poisonous. It should only be dispensed in well ventilated areas, and with a cool engine.

- Small gasoline engines produce high concentrations of carbon monoxide (CO) example: a 5 HP 4 cycle engine operation in an enclosed 100,000 cu. ft. area with only one change of air per hour is capable of providing deadly concentrations of CO in less than fifteen minutes. Five changes of air in the same area will produce noxious fumes in less than 30 minutes. Gasoline or propane powered equipment should not be used in enclosed or partially enclosed areas. Symptoms of CO poisoning include, headache, nausea, weakness, dizziness, visual problems and loss of consciousness. If symptoms occur - get into fresh air and seek medical attention immediately.

ELECTRICAL POWERED EQUIPMENT



Extreme care must be taken when operating electric models with water present: Ensure power cord is properly grounded, is attached to a Ground-Fault-Interrupter (GFI) outlet, and is undamaged.

- Check all electrical cables - be sure connections are tight and cable is continuous and in good condition. Be sure cable is correctly rated for both the operating current and voltage of this equipment.
- Improper connection of the equipment-grounding conductor can result in a risk of electric shock. Check with qualified electrician or service person if there is any doubt as to whether the outlet is properly grounded. Adhere to **all** local codes and ordinances.
- **NOTE:** In the event of a malfunction or breakdown, grounding provides a path of least resistance for the electric current to dissipate. The motor is equipped with a grounded plug and must be connected to an outlet that is properly installed and properly grounded. **DO NOT** modify the plug provided on the motor. If the plug does not fit the outlet have a qualified electrician install the proper receptacle.
- Switch motor OFF **before** disconnecting power.

- Do not disconnect power by pulling cord. To disconnect, grasp the plug, not the cord.
- Unplug power cord at the machine when not in use and before servicing.

GENERAL INSTRUCTIONS

- Equipment should only be operated by trained personnel in good physical condition and mental health (not fatigued). The operator and maintenance personnel must be physically able to handle the bulk weight and power of this equipment.
- This is a one person tool. Maintain a safe operating distance to other personnel. It is the **operators' responsibility** to keep other people (workers, pedestrians, bystanders, etc.) away during operation. Block off the work area in all directions with roping, safety netting, etc. for a safe distance. Failure to do so may result in others being injured by flying debris or exposing them to harmful dust and noise.
- This equipment is intended for commercial use only.
- For the operator's safety and the safety of others, always keep all guards in place during operation.
- Never let equipment run unattended.



- Personal Protection Equipment and proper safety attire must be worn when operating this machinery. The operator must wear approved safety equipment appropriate for the job such as hard hat and safety shoes when conditions require. Hearing protection **MUST** be used (operational noise levels of this equipment may exceed 85db). Eye protection **MUST** be worn at all times.



Keep body parts and loose clothing away from moving parts. Failure to do so could result in dismemberment or death.

- Do not modify the machine.
- Stop motor/engine when adjusting or servicing this equipment.



Maintain a safe operating distance from flammable materials. Sparks from the cutting-action of this machine can ignite flammable materials or vapors.

DUST WARNING



Some dust created by power sanding, sawing, grinding, drilling, and other construction activities contains chemicals known to cause cancer, birth defects, or other reproductive harm. Some examples of these chemicals are:

- Lead from lead-based paints, and
 - Crystalline silica from bricks and concrete and other masonry products.
- Your risk of exposure to these chemicals varies depending on how often you do this type of work. To reduce your risk: work in a well ventilated area, use a dust control system, such as an industrial-style vacuum, and wear approved personal safety equipment, such as a dust/particle respirator designed to filter out microscopic particles.

PARTS LIST MANUAL MODEL SB14

TABLE OF CONTENTS

<u>Section</u>	<u>Page Number</u>
Safety Messages and General Instructions	2
How To Order Replacement Parts	3
Illustration 1: Main Grouping	4, 5
Illustration 2: Arbor & Blade Guard Grouping	6, 7
Illustration 3: Blade Guard Assembly with 2" Vacuum Port (Optional)	8, 9
Illustration 4: Water Tank Assembly (Optional)	10, 11
Illustration 5: Engine Grouping	12, 13
Illustration 6: Single Phase Motor Grouping	14, 15
Illustration 7: Three Phase Motor Grouping	16, 17
Illustration 8: Air Motor Grouping	18, 19
Wiring Diagram for Rotary Switch	20
Wiring Diagram for Starter	21
Wiring Diagram for 1 Phase 60Hz Motor - Baldor L3608TM	22
Wiring Diagram for 3 Phase 60Hz Motor - Baldor M3613T	23
Wiring Diagram for Honda Engine	24
Notes	25
Decals	26, 27
Limited Equipment Warranty	28 (Back Page)

HOW TO ORDER REPLACEMENT PARTS

- To insure product safety and reliability, always use genuine EDCO replacement parts when making repairs to the equipment.
- When calling for parts, specify the MODEL and SERIAL number of the machine, which can be found on the NAME PLATE. Keep that information in the space provided. In addition to this information, give part number, description, and quantity as listed on the parts list to your parts representative.
- Please note: Due to improvements and changes in the equipment, the illustrations shown may be different than the actual machine.

FILL IN INFORMATION BELOW

Date of Purchase _____

Model # _____

Serial # _____

SKU # _____



A Division of Equipment Development Company, Inc.

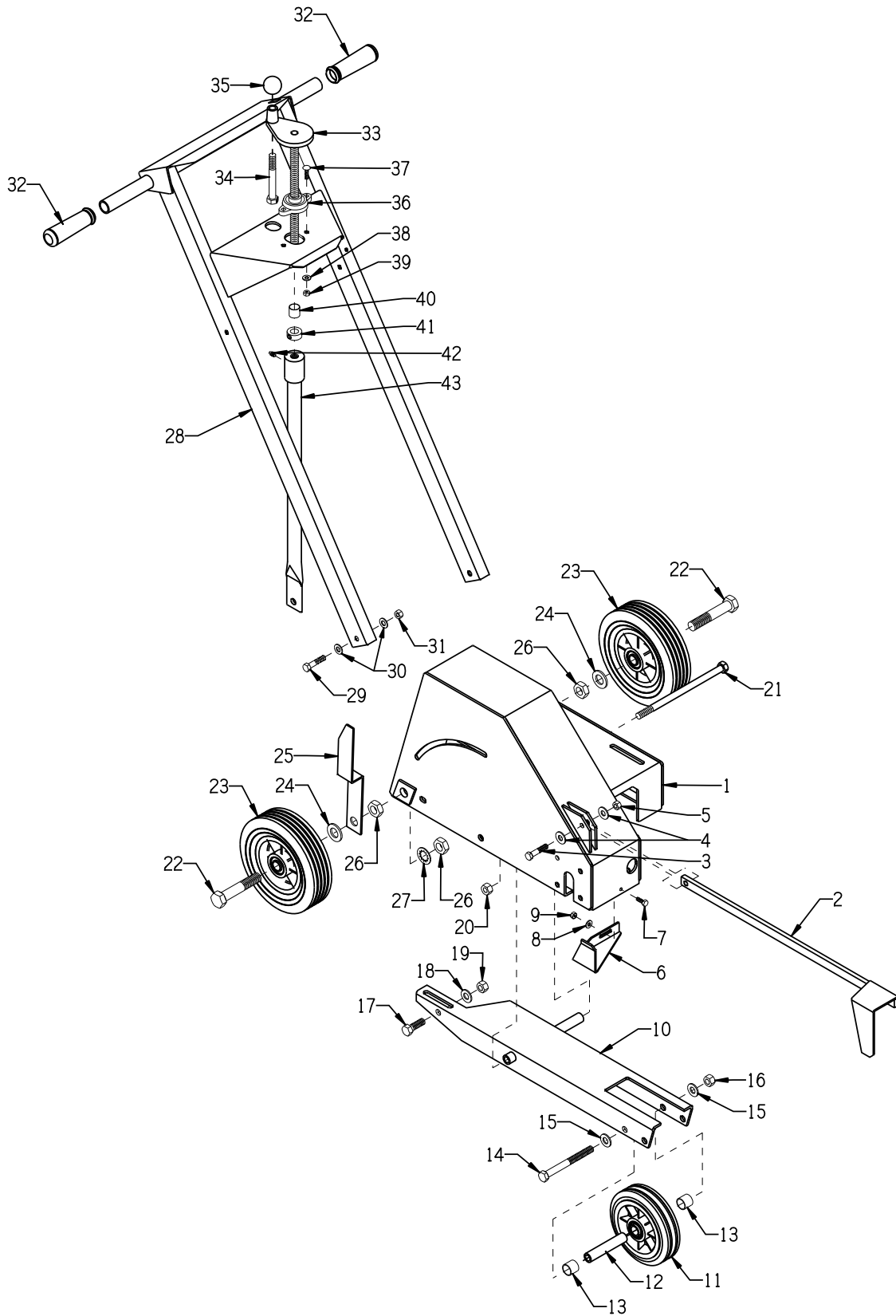
100 Thomas Johnson Drive, Frederick, MD 21702-4600 USA
 Phone (301) 663-1600 • 1-800-638-3326
 Fax (301) 663-1607 • 1-800-447-3326
 Website: www.edcoinc.com
 Email: sales@edcoinc.com

Printed in USA

JWA ©2012

Page 3

ILLUSTRATION 1: MAIN GROUPING



PARTS LISTING - ILLUSTRATION 1: MAIN GROUPING

ITEM	PART #	DESCRIPTION	QTY.	ITEM	PART #	DESCRIPTION	QTY.
1	80002	MAIN FRAME, SB-14	1	24	10009	WASHER, FLAT 3/4 SAE ZINC	2
2	81009	GUIDE BAR, SB-14	1	25	81003	GUIDE FIN, REAR, SB-14	1
3	10309	SCREW, CAP 3/8-24 X 1-1/4	1	26	10429	NUT, HEX JAM 3/4-16 ZINC	4
4	10025	WASHER, FLAT 3/8 SAE ZINC	2	27	10609	WASHER, LOCK, INT. TOOTH 3/4"	2
5	10004	NUT, HEX LOCK 3/8-24 ZINC	1	28	81024	HANDLE BAR, SB-14	1
6	80037	RETAINER, BLADE GUARD	1	29	10029	SCREW, CAP 3/8-24 X 1-3/4	2
7	10018	SCREW, CAP 1/4-20 X 3/4	1	30	10025	WASHER, FLAT 3/8 SAE ZINC	4
8	10602	WASHER, FLAT 1/4 SAE ZINC	1	31	10004	NUT, HEX LOCK 3/8-24 ZINC	2
9	10015	NUT, HEX LOCK 1/4-20 ZINC	1	32	10608	GRIP, HAND 1" MODEL AT	2
10	80018	FORK, SB-14	1	33	65019	HANDWHEEL, SMALL W/ 5/8-8 X 13"ROD	1
11	80028	WHEEL 6 X 2 X 3/4"BRG.	1	34	81001	SCREW, CAP 1/2-13 X 4	1
12	80023	AXLE TUBE 3/4ODX1/2IDX3-7/8L	1	35	14023	KNOB, BALL 1-3/8 W/ 1/2-13THD,	1
13	80022	SPACER, WHEEL 13/16"ID X 13/16"L	2	36	80009	BEARING, BALL 5/8" 2-HOLE	1
14	65017	SCREW, CAP 1/2-20 X 5 ZINC	1	37	10412	BOLT, CARRIAGE 1/4-20 X 1	2
15	10312	WASHER, FLAT 1/2 SAE ZINC	2	38	10602	WASHER, FLAT 1/4 SAE ZINC	2
16	10205	NUT, HEX LOCK 1/2-20 ZINC	1	39	10861	NUT, KEPS LOCK 1/4-20 ZINC	2
17	10308	SCREW, CAP 1/2-20 X 1-1/2	1	40	55010	SPACER, HANDWHEEL 5/8"ID X 3/4"L	1
18	10312	WASHER, FLAT 1/2 SAE ZINC	1	41	10096	COLLAR, LOCKING 5/8"ID	1
19	10154	NUT, HEX NYLON LOCK 1/2-20	1	42	10808	FITTING, GREASE 1/4-28 STRAIGHT	1
20	10407	NUT, HEX LOCK 1/2-13 ZINC	1	43	81025	LINKAGE, CUT CONTROL 5/8-8 THD.	1
21	10408	SCREW, CAP 1/2-13 X 9	1				
22	10406	SCREW, CAP 3/4-16 X 4	2				
23	79013	WHEEL, 8 X 2-1/2 X 3/4"BRG. POLY HUB	2				



A Division of Equipment Development Company, Inc.

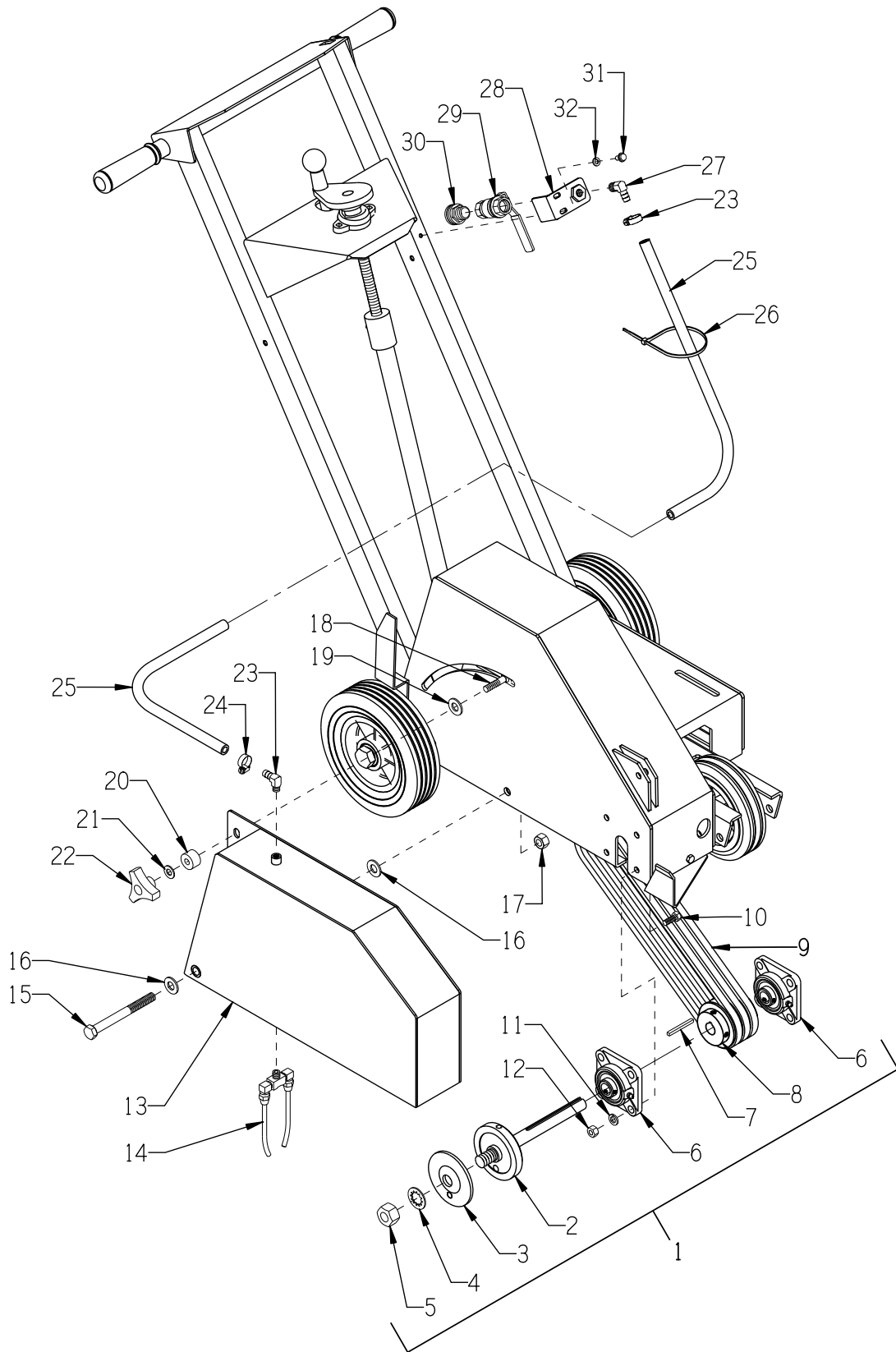
100 Thomas Johnson Drive, Frederick, MD 21702-4600 USA
 Phone (301) 663-1600 • 1-800-638-3326
 Fax (301) 663-1607 • 1-800-447-3326
 Website: www.edcoinc.com
 Email: sales@edcoinc.com

Printed in USA

JWA ©2012

Page 5

ILLUSTRATION 2: ARBOR & BLADE GUARD GROUPING



PARTS LISTING - ILLUSTRATION 2: ARBOR & BLADE GUARD GROUPING			
ITEM #	PART #	DESCRIPTION	QTY.
1	81008A	ARBOR ASSEMBLY, SB14 GAS/ELEC.	1
	81008B	ARBOR ASSEMBLY, ASB14 AIR POWERED	1
2	81008	ARBOR SHAFT W/ BACKING PLATE, SB-14	1
3	80005	ARBOR BLADE CAP 3-1/2" W/ 3/4" HOLE	1
4	10609	WASHER, LOCK, INT. TOOTH 3/4"	1
5	10403	NUT, HEX JAM 3/4-10 ZINC	1
6	77009	BEARING, BALL 3/4" 4-HOLE FLANGE	2
7	10088	KEY 3/16SQ X 2-1/2	1
8		SHEAVE...	1
	81011	3"OD X 3GR.A X 3/4"BORE (GAS & ELEC.)	
	80016	3"OD X 2GR.B X 3/4BORE (AIR POWERED)	
9	81007	BELT AX-33 (GASOLINE & ELECTRIC POWERED)	3
	10251	BELT B-34 (AIR POWERED)	2
10	10309	SCREW, CAP 3/8-24 X 1-1/4 ZINC	8
11	10811	WASHER, LOCK 3/8 ZINC	8
12	10014	NUT, HEX 3/8-24 ZINC	8
13	80004	GUARD, BLADE, SB-14	1
14	81004	NOZZLE, COOLANT 1/8MPT W/ 4" TUBES	1
15	65017	SCREW, CAP 1/2-20 X 5 ZINC	1
16	10312	WASHER, FLAT 1/2 SAE ZINC	3
17	10072	NUT, HEX 1/2-20 ZINC	1
		NOTE: USE RED LOCTITE™	
18	10087	BOLT, CARRIAGE 3/8-16 X 1-3/4	1
19	11741	WASHER, NYLON 1"OD X .518ID X .08THK	1
20	10034	BUSHING, RUBBER 1"OD X 3/8ID X 5/8T	1
21	10025	WASHER, FLAT 3/8 SAE ZINC	1
22	80011	KNOB, 3-PRONG W/ 3/8-16 THD.	1
23	11562	BARB ELBOW 90, 3/8HOSE X 1/8MPT	1
24	50069	CLAMP, HOSE, SAE #6, ADJ. TO 13/16	2
25	56317	HOSE, WATER 3/8"ID X 48"L (GAS & AIR)	1
	80039	HOSE, WATER 3/8"ID X 33"L (ELECTRIC)	1
26	10982	TIE, CABLE, BLACK NYLON 11-1/4"	1
27	10799	BARB ELBOW 90, 3/8HOSE X 1/4MPT	1
28	56022	BRACKET, WATER VALVE	1
		(MOUNTED ON OPP. SIDE FOR ELEC. UNITS)	
29	10711	VALVE, BALL 1/2 FPT	1
30	80021	CONN., SWIVEL FEM. 3/4HOSE X 1/2MPT	1
31	10846	SCREW, CAP STSHW 1/4-20 X 1/2	2
32	10038	WASHER, LOCK 1/4 ZINC	2



A Division of Equipment Development Company, Inc.

100 Thomas Johnson Drive, Frederick, MD 21702-4600 USA
 Phone (301) 663-1600 • 1-800-638-3326
 Fax (301) 663-1607 • 1-800-447-3326
 Website: www.edcoinc.com
 Email: sales@edcoinc.com

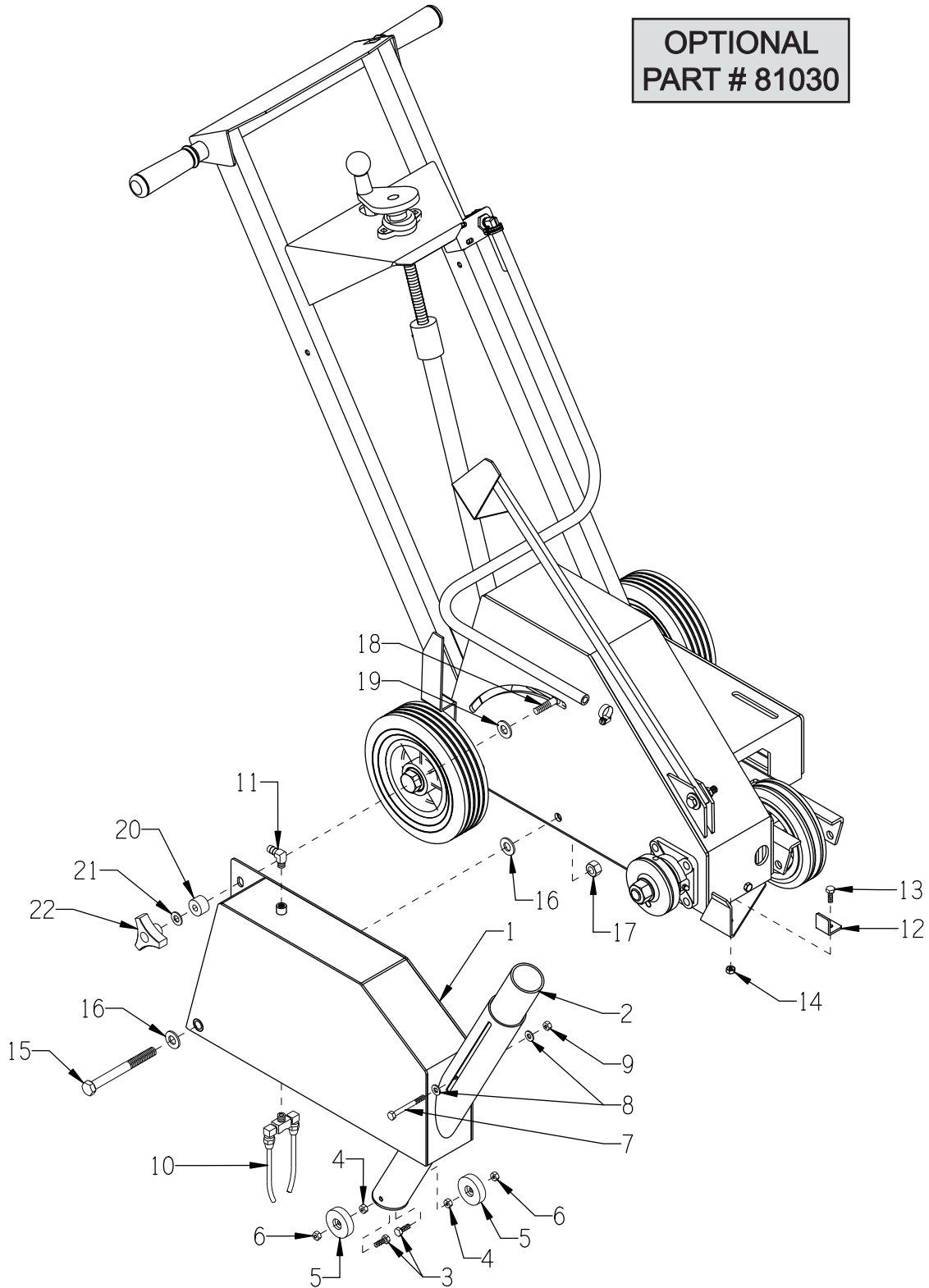
Printed in USA

JWA ©2012

Page 7

ILLUSTRATION 3: BLADE GUARD ASSEMBLY WITH 2" VACUUM PORT

OPTIONAL
PART # 81030



PARTS LISTING - ILLUSTRATION 3:			
BLADE GUARD ASSEMBLY WITH 2" VACUUM PORT (OPTIONAL)			
ITEM #	PART #	DESCRIPTION	QTY.
1-14	81030	GUARD ASSY. W/ VAC PORT, SB-14 (INCLUDES ITEMS 1 THRU 14)	1
1	81031	GUARD ONLY W/ VAC PORT, SB-14	1
2	81032	GUARD VAC PORT, SLIDING, SB-14	1
3	10018	SCREW, CAP 1/4-20 X 3/4	2
4	10013	NUT, HEX 1/4-20 ZINC	2
5	81033	WHEEL, BLADE GUARD VAC PORT, SB-14	2
6	10015	NUT, HEX LOCK 1/4-20 ZINC	2
7	11658	SCREW, CAP 1/4-20 X 2-3/4	1
8	10602	WASHER, FLAT 1/4 SAE ZINC	2
9	10150	NUT, HEX NYLON LOCK 1/4-20 ZINC	1
10*	81004	NOZZLE, COOLANT 1/8MPT W/ 4" TUBES	1
11*	11562	BARB ELBOW 90, 3/8 HOSE X 1/8 MPT	1
12	81034	BRKT., BLADE GUARD CENTERING, SB14	1
13	10018	SCREW, CAP 1/4-20 X 3/4	1
14	10015	NUT, HEX LOCK 1/4-20 ZINC	1
15*	65017	SCREW, CAP 1/2-20 X 5 ZINC	1
16*	10312	WASHER, FLAT 1/2 SAE ZINC	3
17*	10205	NUT, HEX LOCK 1/2-20 ZINC	1
18*	10087	BOLT, CARRIAGE 3/8-16 X 1-3/4	1
19*	11741	WASHER, NYLON 1" OD X .518 ID X .08 THK	1
20*	10034	BUSHING, RUBBER 1" OD X 3/8 ID X 5/8 T	1
21*	10025	WASHER, FLAT 3/8 SAE ZINC	1
22*	80011	KNOB, 3-PRONG W/ 3/8-16 THD.	1
*NOTE: THESE ITEMS ARE THE SAME ITEMS USED WITH THE STANDARD BLADE GUARD SHOWN IN ILLUSTRATION 2.			



A Division of Equipment Development Company, Inc.

100 Thomas Johnson Drive, Frederick, MD 21702-4600 USA
 Phone (301) 663-1600 • 1-800-638-3326
 Fax (301) 663-1607 • 1-800-447-3326
 Website: www.edcoinc.com
 Email: sales@edcoinc.com

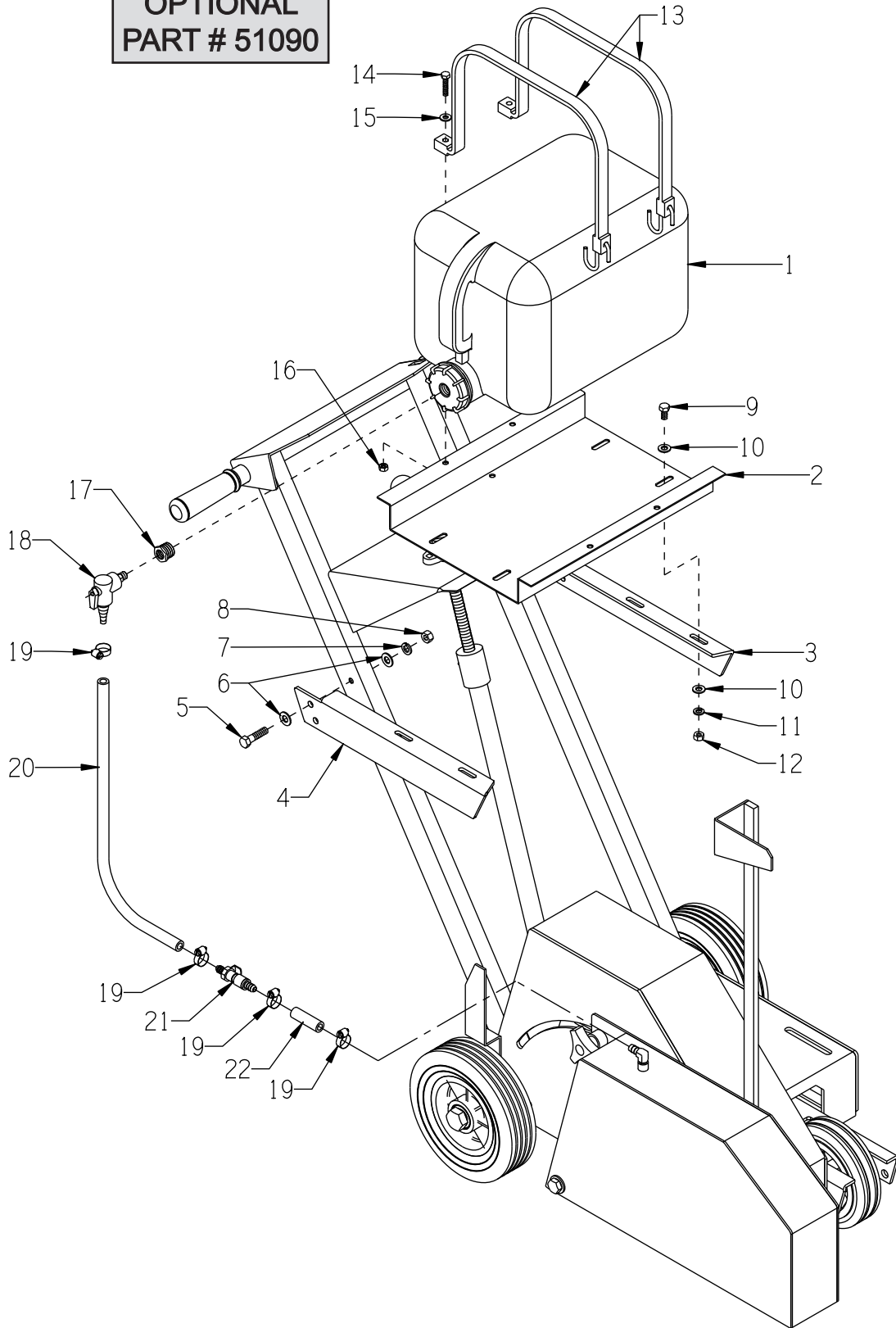
Printed in USA

JWA ©2012

Page 9

ILLUSTRATION 4: WATER TANK ASSEMBLY

**OPTIONAL
PART # 51090**



PARTS LISTING - ILLUSTRATION 4: WATER TANK ASSEMBLY			
OPTIONAL - PART # 51090			
ITEM #	PART #	DESCRIPTION	QTY.
1	52031	DRUM, PLASTIC 5 GALLON, 3/4NPT CAP	1
2	56311	TRAY, WATER TANK, SB-14	1
3	51092	MOUNT BRKT., WATER TANK, LEFT SIDE	1
4	51091	MOUNT BRKT., WATER TANK, RIGHT SIDE	1
5	10068	SCREW, CAP 3/8-16 X 1-1/2	4
6	10025	WASHER, FLAT 3/8 SAE ZINC	8
7	10811	WASHER, LOCK 3/8 ZINC	4
8	10404	NUT, HEX 3/8-16 ZINC	4
9	10053	SCREW, CAP 5/16-18 X 3/4	4
10	10213	WASHER, FLAT 5/16 SAE ZINC	8
11	10801	WASHER, LOCK 5/16 ZINC	4
12	10054	NUT, HEX 5/16-18 ZINC	4
13	52035	TIE-DOWN STRAP, MOLDED RUBBER 24"	2
14	10905	SCREW, CAP 1/4-20 X 1-1/4	2
15	10602	WASHER, FLAT 1/4 SAE ZINC	2
16	10150	NUT, HEX NYLON LOCK 1/4-20 ZINC	2
17	52034	BUSHING, HEX 3/4 X 1/4 NPT NYLON	1
18	56312	VALVE, BALL PVC 90°A 1/4MPT X BARB	1
19	50069	CLAMP, HOSE, SAE #6, ADJ. TO 13/16	4
20	56315	HOSE, WATER 3/8"ID X 24"L	1
21	11637	COUPLING, QUICK-DISCONNECT 3/8"	1
22	56316	HOSE, WATER 3/8"ID X 2"L	1



A Division of Equipment Development Company, Inc.

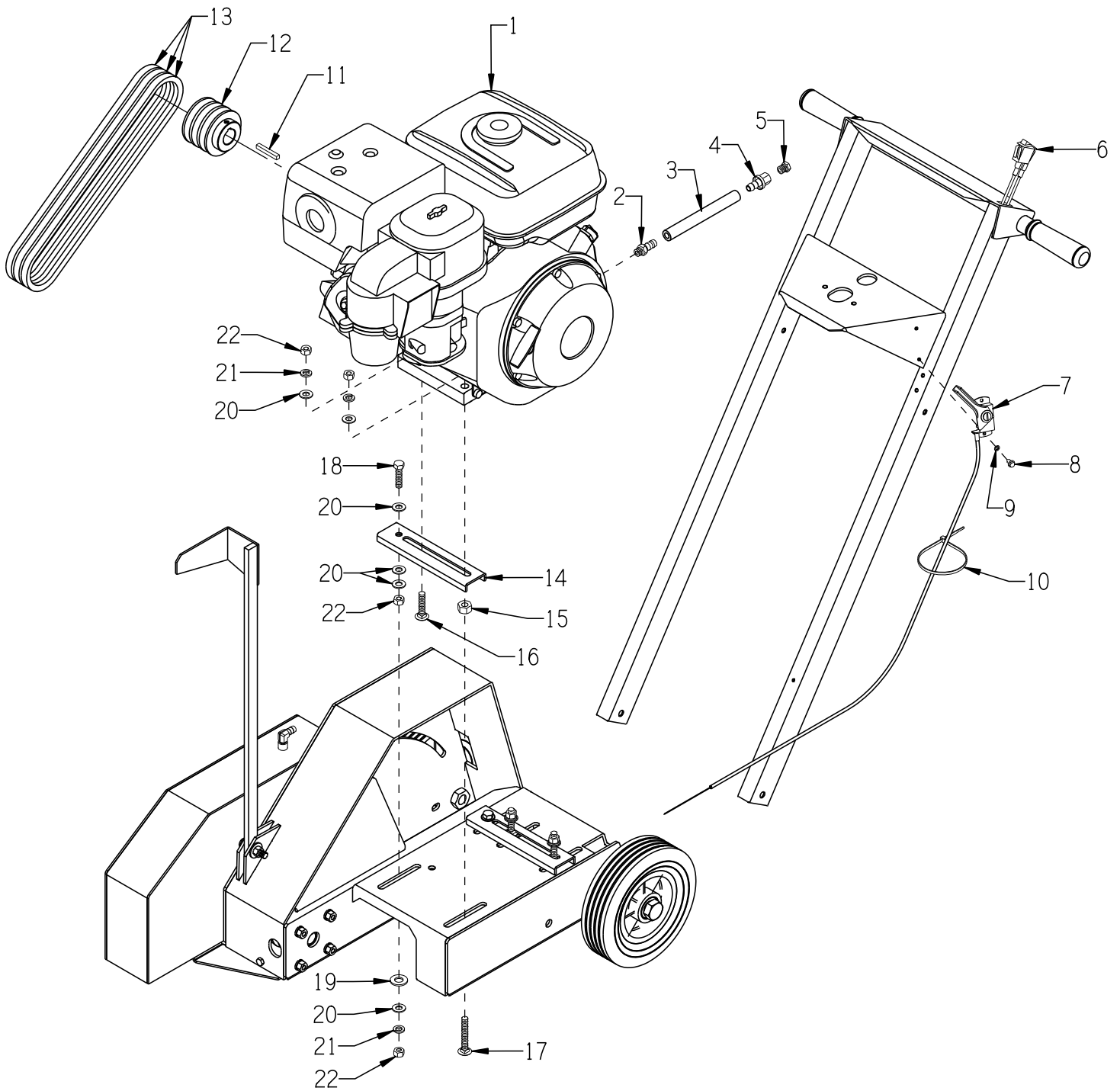
100 Thomas Johnson Drive, Frederick, MD 21702-4600 USA
 Phone (301) 663-1600 • 1-800-638-3326
 Fax (301) 663-1607 • 1-800-447-3326
 Website: www.edcoinc.com
 Email: sales@edcoinc.com

Printed in USA

JWA ©2012

Page 11

ILLUSTRATION 5: ENGINE GROUPING



PARTS LISTING - ILLUSTRATION 5: ENGINE GROUPING			
ITEM #	PART #	DESCRIPTION	QTY.
1	15029	ENGINE, HONDA GX390U1-QXC9 WITH CYCLONE AIR CLEANER	1
2	11542	BARB, PUSH-ON 3/8HOSE X M12-1.5MALE	1
3	56226	HOSE, PUSH-ON 3/8"ID X 6"L	1
4	11544	BARB, PUSH-ON 3/8 HOSE X 1/4FPT	1
5	10776	PIPE PLUG 1/4 NPT (BRASS)	1
6	15201A	SWITCH W/ WIRES, ROCKER RED ON-OFF ADDITIONAL PARTS REQ'D. (NOT SHOWN):	1
	50084	TERM., RING #10 16-14GA. INSULATED	1
	10877	SCREW, CAP STSHW 10-24 X 1/2	1
	10831	WASHER, LOCK, INT. TOOTH #10	1
	10970	CONN., WIRE QUICK-SPLICE 18-14 GA.	1
	36042	CLIP, NATURAL CORD, 1/8" X 1/4"	1
7	3611	CABLE, THROTTLE, LEVER-TYPE 54" (NOTE: TRIMMED TO 35")	1
8	10877	SCREW, CAP STSHW 10-24 X 1/2	2
9	10831	WASHER, LOCK, INT. TOOTH #10	2
10	10982	TIE, CABLE, BLACK NYLON 11-1/4"	2
11	10071	KEY 1/4SQ X 2-1/2	1
12	80027	SHEAVE 3"OD X 3GR.A X 1"BORE	1
13	81007	BELT AX-33 (1/2" x 35"OL)	3
14	81010	MOUNT BRKT., CHANNEL, SB-14	2
15	10205	NUT, HEX LOCK 1/2-20 ZINC (USED AS SPACER)	2
16	10087	BOLT, CARRIAGE 3/8-16 X 1-3/4	2
17	10335	BOLT, CARRIAGE 3/8-16 X 2-1/2 F.T.	2
18	10480	BOLT, TAP 3/8-16 X 1-1/2 (FULL THD)	2
19	10312	WASHER, FLAT 1/2 SAE ZINC	2
20	10025	WASHER, FLAT 3/8 SAE ZINC	12
21	10811	WASHER, LOCK 3/8 ZINC	6
22	10404	NUT, HEX 3/8-16 ZINC	6



A Division of Equipment Development Company, Inc.

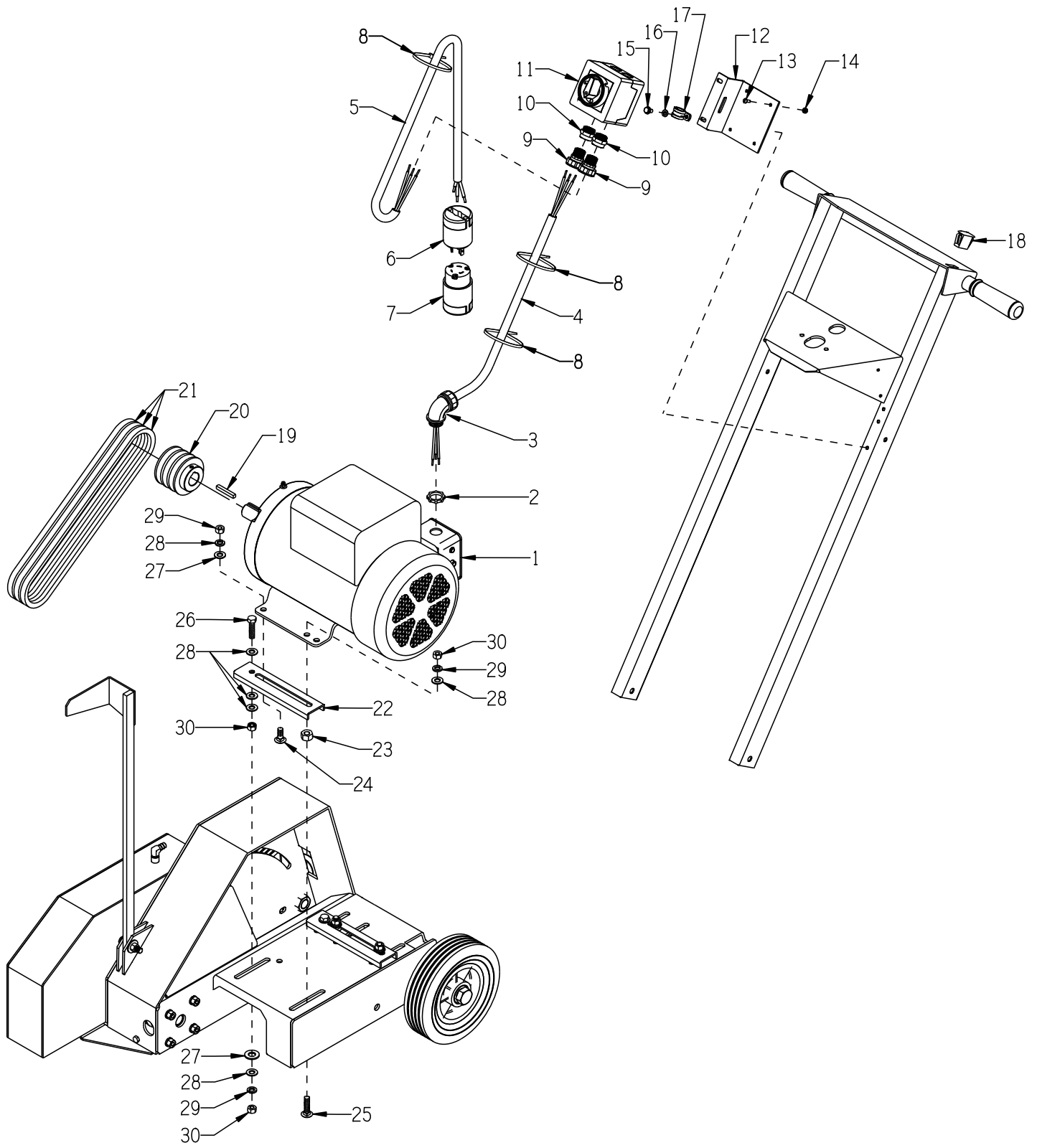
100 Thomas Johnson Drive, Frederick, MD 21702-4600 USA
 Phone (301) 663-1600 • 1-800-638-3326
 Fax (301) 663-1607 • 1-800-447-3326
 Website: www.edcoinc.com
 Email: sales@edcoinc.com

Printed in USA

JWA ©2012

Page 13

ILLUSTRATION 6: SINGLE PHASE MOTOR GROUPING



PARTS LISTING - ILLUSTRATION 6: SINGLE PHASE MOTOR GROUPING			
ITEM #	PART #	DESCRIPTION	QTY.
1	81026	MOTOR, BALDOR 5HP-1PH 60HZ 3450RPM	1
	16121	REPLACEMENT PARTS: CAPACITOR, START, BALDOR EC1161C06	2
	16164	CAPACITOR, RUN, BALDOR #OC3040F09SP	1
	16540	RESET BUTTON, BALDOR TPBRT25DB	1
2	10740	CONDUIT LOCK NUT 3/4 NP (INSIDE JUNCTION BOX)	1
3	16539	STRAIN RELIEF 90D X 3/4NPT .50-.625	1
4	81035	WIRE HARNESS 10/3 X 30"LOA	1
5	81036	WIRE HARNESS 10/3 X 40"LOA	1
6	40037	PLUG, LOCKING 20A/250V L6-20P	1
7	40000	CONNECTOR, LOCKING 20A/250V L6-20C	1
8	10982	TIE, CABLE, BLACK NYLON 11-1/4"	3
9	41130	STRAIN RELIEF 1/2NPT X .550-.650"	2
10	77043-1	SWITCH ADAPTER, PG16 TO 1/2"NPT	2
11	77043	SWITCH, ROTARY CAM ON/OFF	1
12	77042	BRACKET, ROTARY CAM SWITCH	1
13	11663	SCREW, MACHINE 8-32 X 1/2 RHCD ZINC (INSIDE SWITCH BOX)	4
14	10462	NUT, KEPS LOCK 8-32 ZINC	4
15	10846	SCREW, CAP STSHW 1/4-20 X 1/2	2
16	10038	WASHER, LOCK 1/4 ZINC	2
17	11565	CLAMP, LOOM, 5/8" (SAE SIZE 10)	4
18	15204	PLUG, RECT. HOLE, PLASTIC SNAP-IN	1
19	-----	KEY 1/4"SQ (INCLUDED WITH MOTOR)	1
20	81006	SHEAVE 3"OD X 3GR.A X 1-1/8"BORE	1
21	81007	BELT AX-33 (1/2" x 35"OL)	3
22	81010	MOUNT BRKT., CHANNEL, SB-14	2
23	10205	NUT, HEX LOCK 1/2-20 ZINC (USED AS SPACER)	2
24	10802	BOLT, CARRIAGE 3/8-16 X 1 ZINC	2
25	10804	BOLT, CARRIAGE 3/8-16 X 1-1/2 F.T.	2
26	10480	BOLT, TAP 3/8-16 X 1-1/2 (FULL THD)	2
27	10312	WASHER, FLAT 1/2 SAE ZINC	2
28	10025	WASHER, FLAT 3/8 SAE ZINC	12
29	10811	WASHER, LOCK 3/8 ZINC	6
30	10404	NUT, HEX 3/8-16 ZINC	6



A Division of Equipment Development Company, Inc.

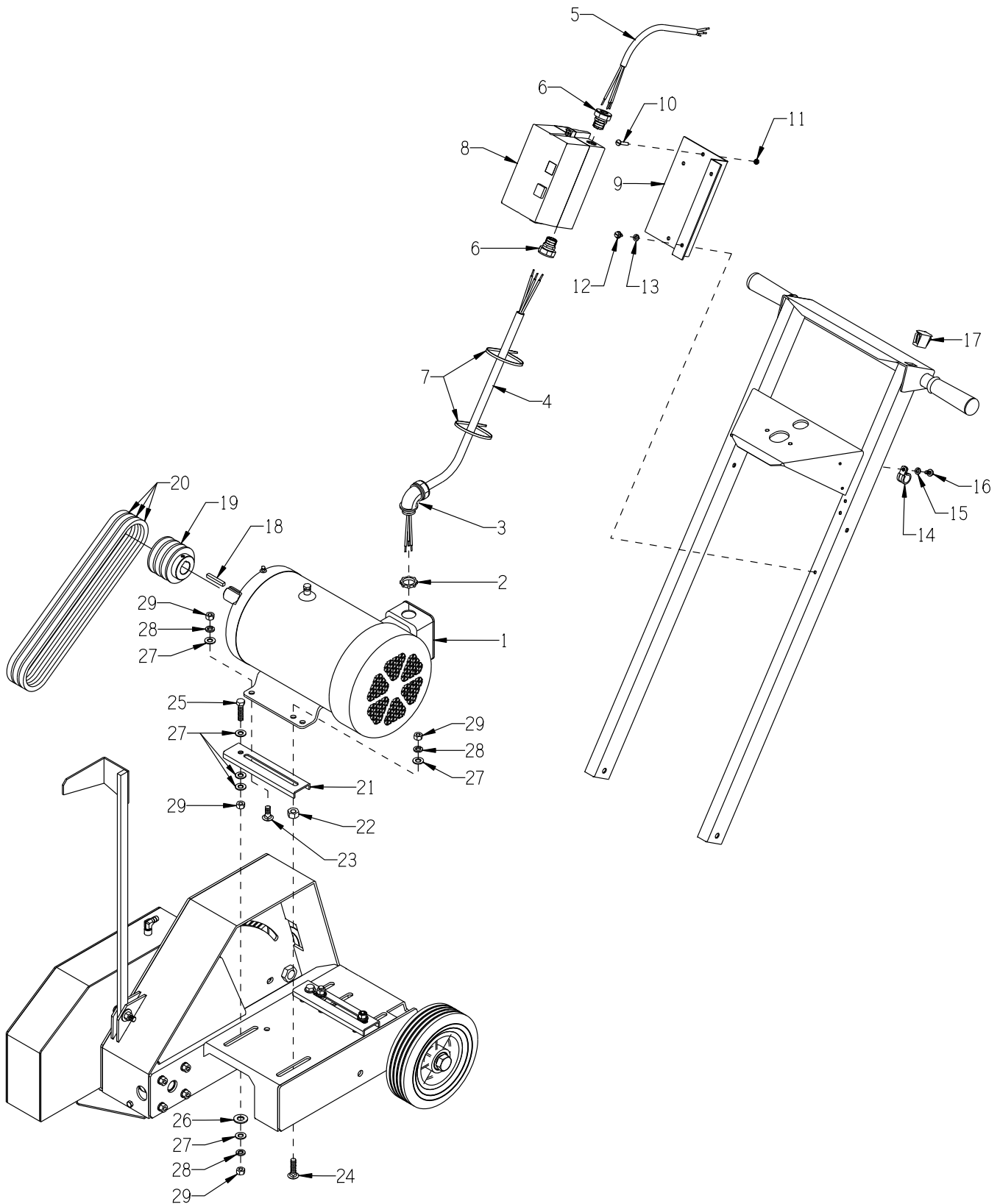
100 Thomas Johnson Drive, Frederick, MD 21702-4600 USA
 Phone (301) 663-1600 • 1-800-638-3326
 Fax (301) 663-1607 • 1-800-447-3326
 Website: www.edcoinc.com
 Email: sales@edcoinc.com

Printed in USA

JWA ©2012

Page 15

ILLUSTRATION 7: THREE PHASE MOTOR GROUPING



PARTS LISTING - ILLUSTRATION 7: THREE PHASE MOTOR GROUPING			
ITEM #	PART #	DESCRIPTION	QTY.
1	81022	MOTOR, BALDOR 5HP-3PH-60HZ-230/460V	1
2	10740	CONDUIT LOCK NUT 3/4 NP (INSIDE JUNCTION BOX)	1
3	16539	STRAIN RELIEF 90D X 3/4NPT .50-.625	1
4	86023	WIRE HARNESS 12/4 X 42"LOA	1
5	86022	WIRE HARNESS 12/4 X 26"LOA	1
6	41053	STRAIN RELIEF 1/2NPT X .625-.750"	2
7	10982	TIE, CABLE, BLACK NYLON 11-1/4"	2
8	16405	STARTER ACI #128841 START-STOP 200/240V COIL 11.3-16A	1
	16406	STARTER ACI 440/480V COIL 5.5-7.5A O/L	1
		REPLACEMENT PARTS:	
	16617	STARTER CONT./COIL ACI SK18.310-230	1
	16618	STARTER CONT./COIL ACI SK18.310-460	1
	16622	STARTER AC COIL 200/240V-60HZ	1
	16623	STARTER AC COIL 440/480V-60HZ	1
	16632	STARTER OVERLOAD RELAY 5.5-7.5 AMP	1
16635	STARTER OVERLOAD RELAY 11.3-16.0 AMP	1	
9	86027	MOUNTING BRKT., STARTER (ACI)	1
10	11732	SCREW, MACHINE 10-32 X 1-3/4 RHP (INSIDE STARTER)	2
	10384	SCREW, MACHINE 10-32 X 1 RHP (INSIDE STARTER)	1
11	10832	NUT, KEPS LOCK 10-32 ZINC	2
12	10846	SCREW, CAP STSHW 1/4-20 X 1/2	2
13	10038	WASHER, LOCK 1/4 ZINC	2
14	11565	CLAMP, LOOM, 5/8" (SAE SIZE 10)	1
15	10831	WASHER, LOCK, INT. TOOTH #10	1
16	10877	SCREW, CAP STSHW 10-24 X 1/2	1
17	15204	PLUG, RECT. HOLE, PLASTIC SNAP-IN	1
18	-----	KEY 1/4"SQ (INCLUDED WITH MOTOR)	1
19	81006	SHEAVE 3"OD X 3GR.A X 1-1/8"BORE	1
20	81007	BELT AX-33 (1/2" X 35"OL)	3
21	81010	MOUNT BRKT., CHANNEL, SB-14	2
22	10205	NUT, HEX LOCK 1/2-20 ZINC (USED AS SPACER)	2
23	10802	BOLT, CARRIAGE 3/8-16 X 1 ZINC	2
24	10804	BOLT, CARRIAGE 3/8-16 X 1-1/2 F.T.	2
25	10480	BOLT, TAP 3/8-16 X 1-1/2 (FULL THD)	2
26	10312	WASHER, FLAT 1/2 SAE ZINC	2
27	10025	WASHER, FLAT 3/8 SAE ZINC	12
28	10811	WASHER, LOCK 3/8 ZINC	6
29	10404	NUT, HEX 3/8-16 ZINC	6



A Division of Equipment Development Company, Inc.

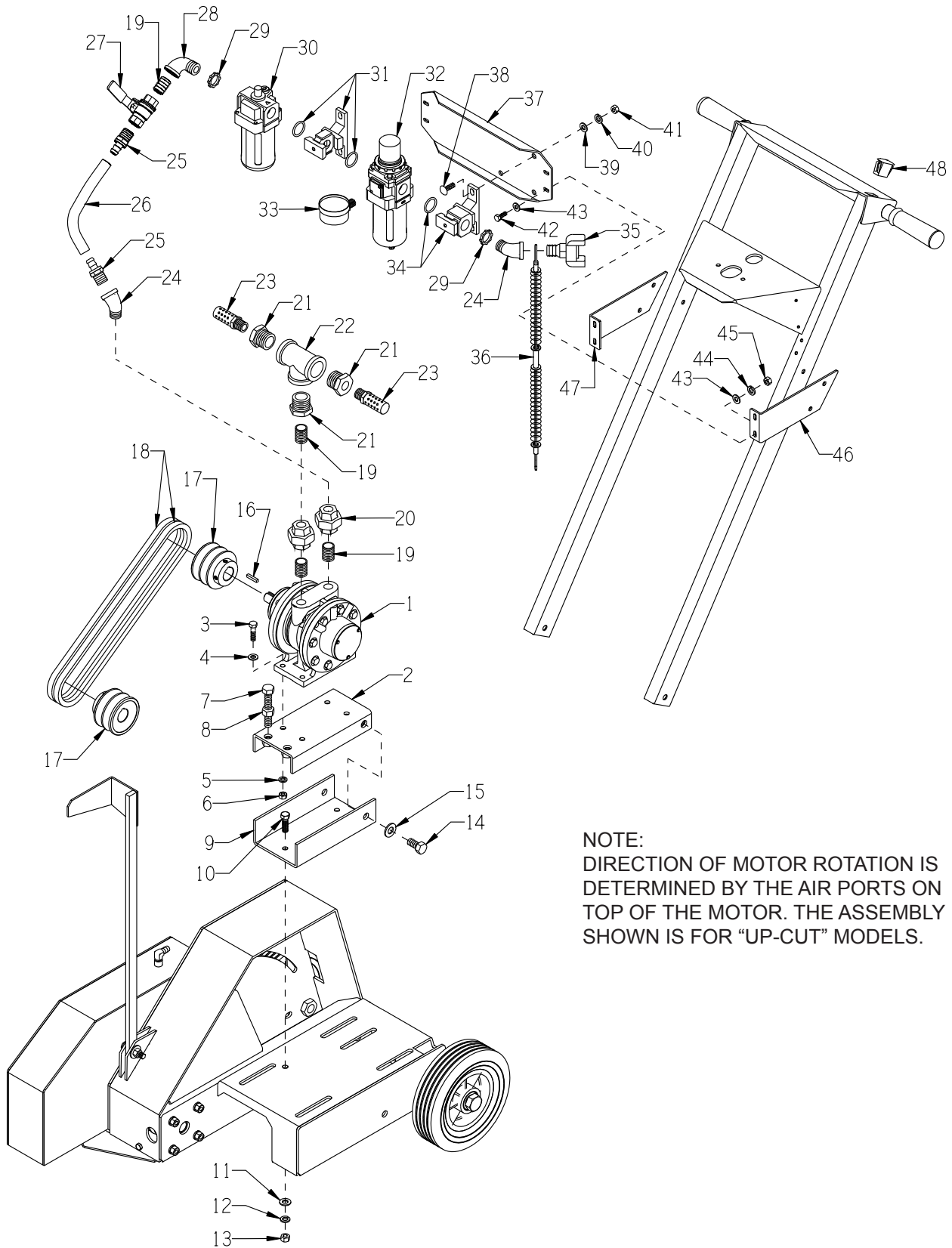
100 Thomas Johnson Drive, Frederick, MD 21702-4600 USA
 Phone (301) 663-1600 • 1-800-638-3326
 Fax (301) 663-1607 • 1-800-447-3326
 Website: www.edcoinc.com
 Email: sales@edcoinc.com

Printed in USA

JWA ©2012

Page 17

ILLUSTRATION 8: AIR MOTOR GROUPING



NOTE:
 DIRECTION OF MOTOR ROTATION IS
 DETERMINED BY THE AIR PORTS ON
 TOP OF THE MOTOR. THE ASSEMBLY
 SHOWN IS FOR "UP-CUT" MODELS.

PARTS LISTING - ILLUSTRATION 8: AIR MOTOR GROUPING

ITEM	PART #	DESCRIPTION	QTY.	ITEM	PART #	DESCRIPTION	QTY.
1	80050	MOTOR, GAST AIR 5 HP 8AM-FRV-2B	1	26	80063	HOSE, PUSH-ON 1/2"ID X 6-1/2"L	1
2	80065	MOUNT, AIR MOTOR, ASB-14	1	27	10711	VALVE, BALL 1/2 FPT	1
3	10606	SCREW, CAP 5/16-18 X 1-1/4	4	28	10724	ELBOW, STREET 1/2NPT X 90	1
4	10213	WASHER, FLAT 5/16 SAE ZINC	4	29	10790	CONDUIT LOCK NUT 1/2 NP	2
5	10801	WASHER, LOCK 5/16 ZINC	4	30	80071	LUBRICATOR, 1/2 NPT SMC AL40-N04-Z	1
6	10054	NUT, HEX 5/16-18 ZINC	4	31	80072	BRACKET, T-TYPE, SMC Y40T (INCLUDES 2 O-RINGS)	1
7	10340	BOLT, TAP 1/2-13 X 3 (FULL THREAD)	2	32	80070	FILTER/REG., 1/2NPT SMC AW40-N04H-Z	1
8	10417	NUT, HEX 1/2-13 ZINC	2	33	C90207	GAUGE, AIR PRESSURE, SIDE STEM	1
9	80066	BRACKET, MOTOR MOUNT	1	34	80073	BRACKET, PIPING ADAPTOR, T-TYPE, SMC E40T-N04 (INCLUDES O-RING)	1
10	10309	SCREW, CAP 3/8-24 X 1-1/4	3	35	80075	COUPLER, AIR HOSE, 1/2 MPT	1
11	10025	WASHER, FLAT 3/8 SAE ZINC	3	36	63040	CABLE, WHIPCHEK SAFETY 1/8 X 20-1/4	1
12	10811	WASHER, LOCK 3/8 ZINC	3	37	80074	BRACKET, F.R.L. MOUNTING	1
13	10014	NUT, HEX 3/8-24 ZINC	3	38	10819	BOLT, CARRIAGE 5/16-18 X 1	4
14	10914	SCREW, CAP 1/2-13 X 1	2	39	10213	WASHER, FLAT 5/16 SAE ZINC	4
15	10312	WASHER, FLAT 1/2 SAE ZINC	2	40	10801	WASHER, LOCK 5/16 ZINC	4
16	-----	KEY 3/16 X 1 (INCLUDED W/ MOTOR)	1	41	10054	NUT, HEX 5/16-18 ZINC	4
17	80016	SHEAVE 3"OD X 2GR.B X 3/4B	2	42	10018	SCREW, CAP 1/4-20 X 3/4	4
18	10251	BELT B-34 (21/32" x 37"OL)	2	43	10602	WASHER, FLAT 1/4 SAE ZINC	8
19	10728	PIPE NIPPLE, CLOSE 1/2NPT	4	44	10038	WASHER, LOCK 1/4 ZINC	4
20	80060	PIPE UNION 1/2 NPT (GALV.)	2	45	10013	NUT, HEX 1/4-20 ZINC	4
21	80057	BUSHING, HEX 1 X 1/2 NPT (GALV.)	3	46	80077	MOUNTING BRKT., FRL LEFT SIDE	1
22	80056	PIPE TEE, FEMALE 1"NPT (GALV.)	1	47	80076	MOUNTING BRKT., FRL RIGHT SIDE	1
23	80055	MUFFLER, AIR MOTOR, 1/2NPT MALE	2	48	15204	PLUG, RECT. HOLE, PLASTIC SNAP-IN	1
24	10734	ELBOW, STREET 1/2NPT X 45	1				
25	80061	BARB, PUSH-ON 1/2HOSE X 1/2MPT	2				



A Division of Equipment Development Company, Inc.

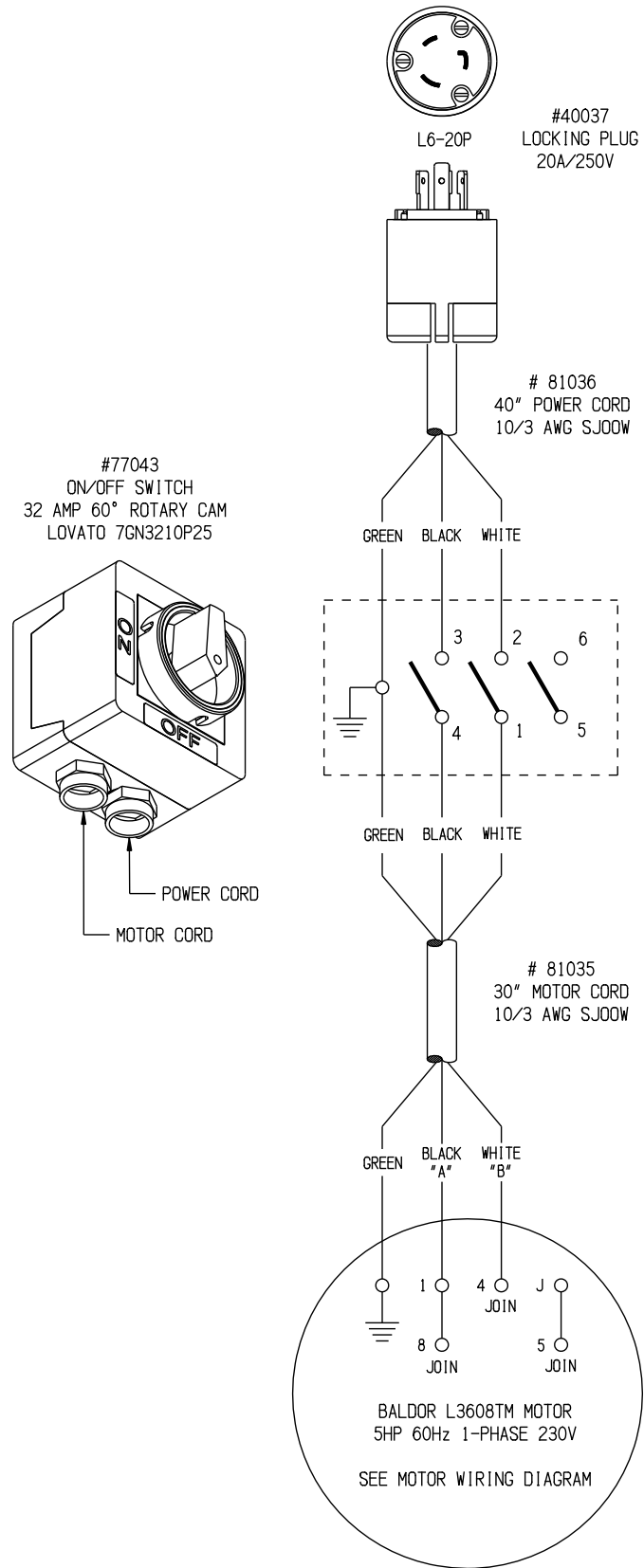
100 Thomas Johnson Drive, Frederick, MD 21702-4600 USA
 Phone (301) 663-1600 • 1-800-638-3326
 Fax (301) 663-1607 • 1-800-447-3326
 Website: www.edcoinc.com
 Email: sales@edcoinc.com

Printed in USA

JWA ©2012

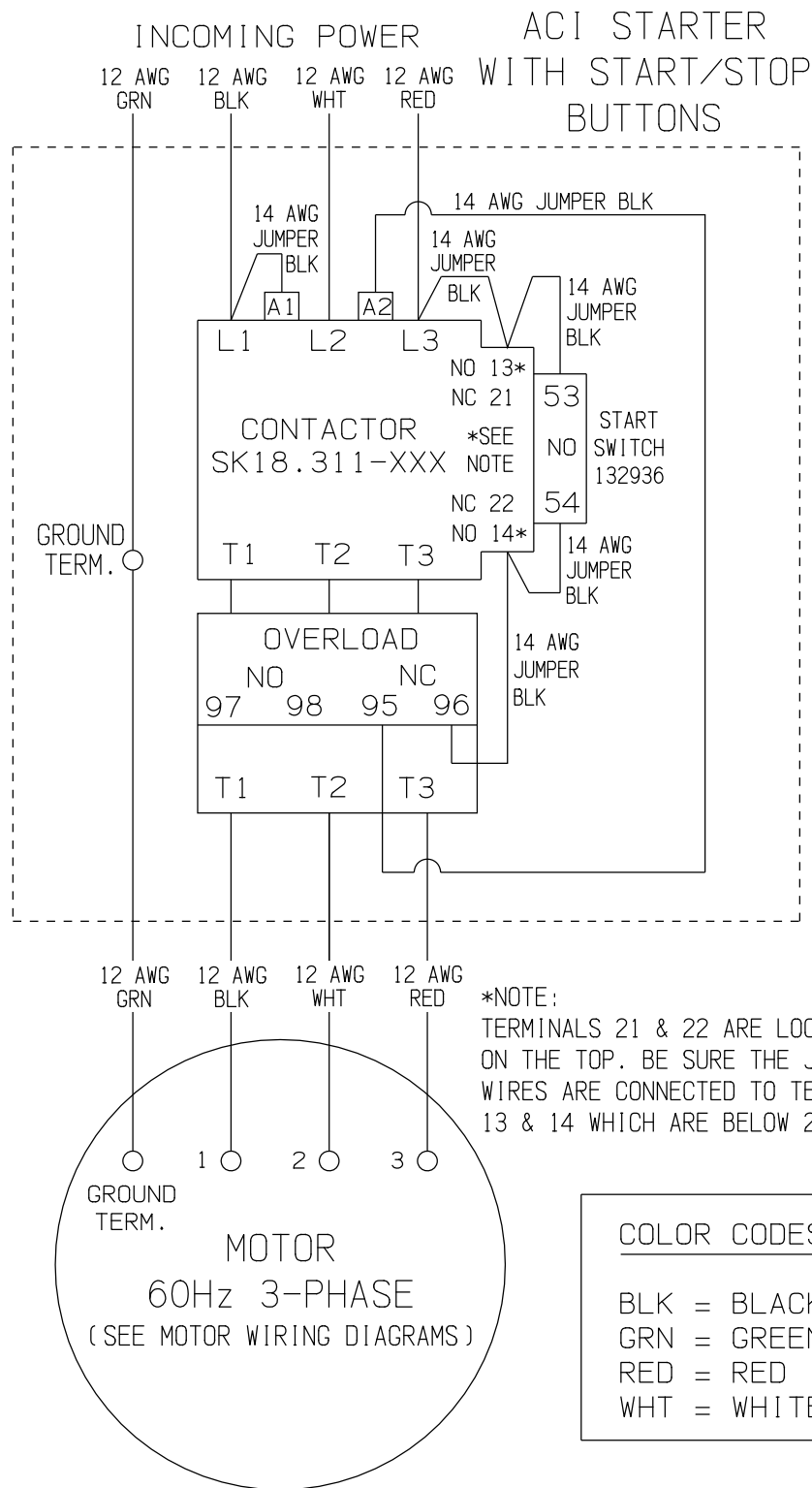
Page 19

WIRING DIAGRAM FOR ROTARY SWITCH



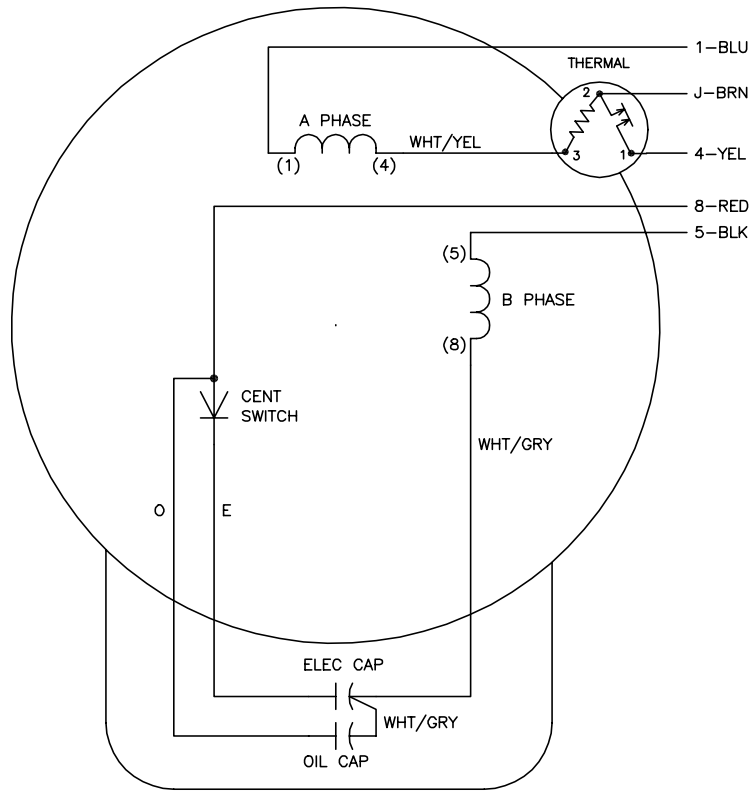
WIRING DIAGRAM FOR STARTER

60HZ 3-PHASE 230/460V



WIRING DIAGRAM FOR 1 PHASE 60Hz MOTOR BALDOR CAT. NO. L3608TM

CD0002A02



	LINE A	LINE B	JOIN
STD	1,8	4	J,5
OPP	1,5	4	J,8

NOTES:

- STANDARD ROTATION IS CCW FACING END OPPOSITE SHAFT EXTENSION.
- MULTIPLE CAPACITORS ARE CONNECTED IN PARALLEL UNLESS OTHERWISE SPECIFIED.
- LEAD COLORS ARE OPTIONAL. LEADS MUST ALWAYS BE NUMBERED AS SHOWN.

REV. DESC: REMOVE 2-TERMINAL THERMAL DETAIL, SEE CD0002A04		
REV. LTR: D	VERSION: 01	TDR: 000000360649
Z0VZ0000	FILE: \AAA\00007\520	REVISED: 17:11:40 04/15/2005
	MTL: -	BY: ENJOEPO

BALDOR ELECTRIC Co.

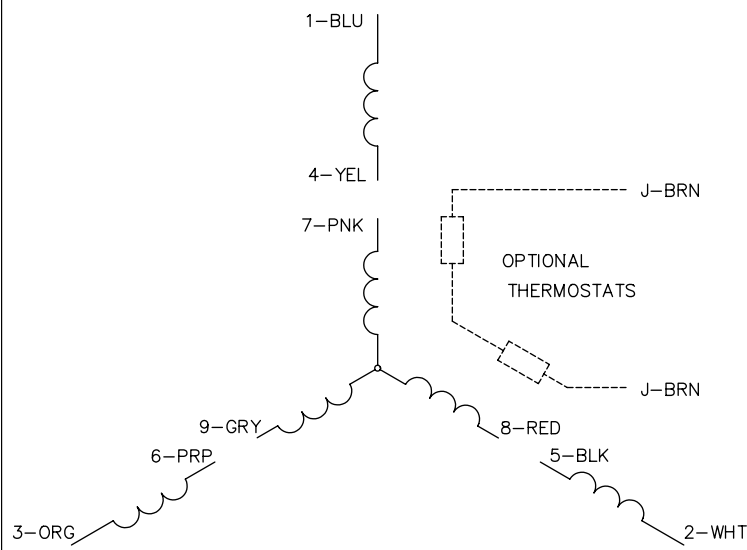
TYPE LC, SV, REV, THERMAL, 5 LEADS

CD0002A02

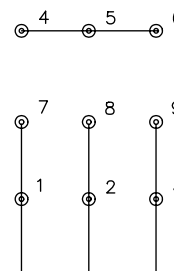


WIRING DIAGRAM FOR 3 PHASE 60Hz MOTOR BALDOR CAT. NO. EM3613T

CD0005

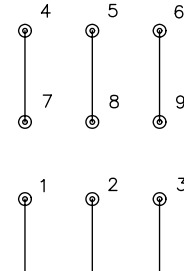


LOW VOLTAGE
(2Y)



LINE

HIGH VOLTAGE
(1Y)



LINE

NOTES:

1. INTERCHANGE ANY TWO LINE LEADS TO REVERSE ROTATION.
2. OPTIONAL THERMOSTATS ARE PROVIDED WHEN SPECIFIED.
3. ACTUAL NUMBER OF INTERNAL PARALLEL CIRCUITS MAY BE A MULTIPLE OF THOSE SHOWN ABOVE.
4. LEAD COLORS ARE OPTIONAL. LEADS MUST ALWAYS BE NUMBERED AS SHOWN.

CD0005

REV. DESC: REVISE TO SHOW OPTIONAL COLORS			
REV. LTR: E	BY: JLP	REVISED: 01/19/99 10:15	TDR: 0171435
S00000		FILE: AAA00005140	MDL: -
		MTL: -	

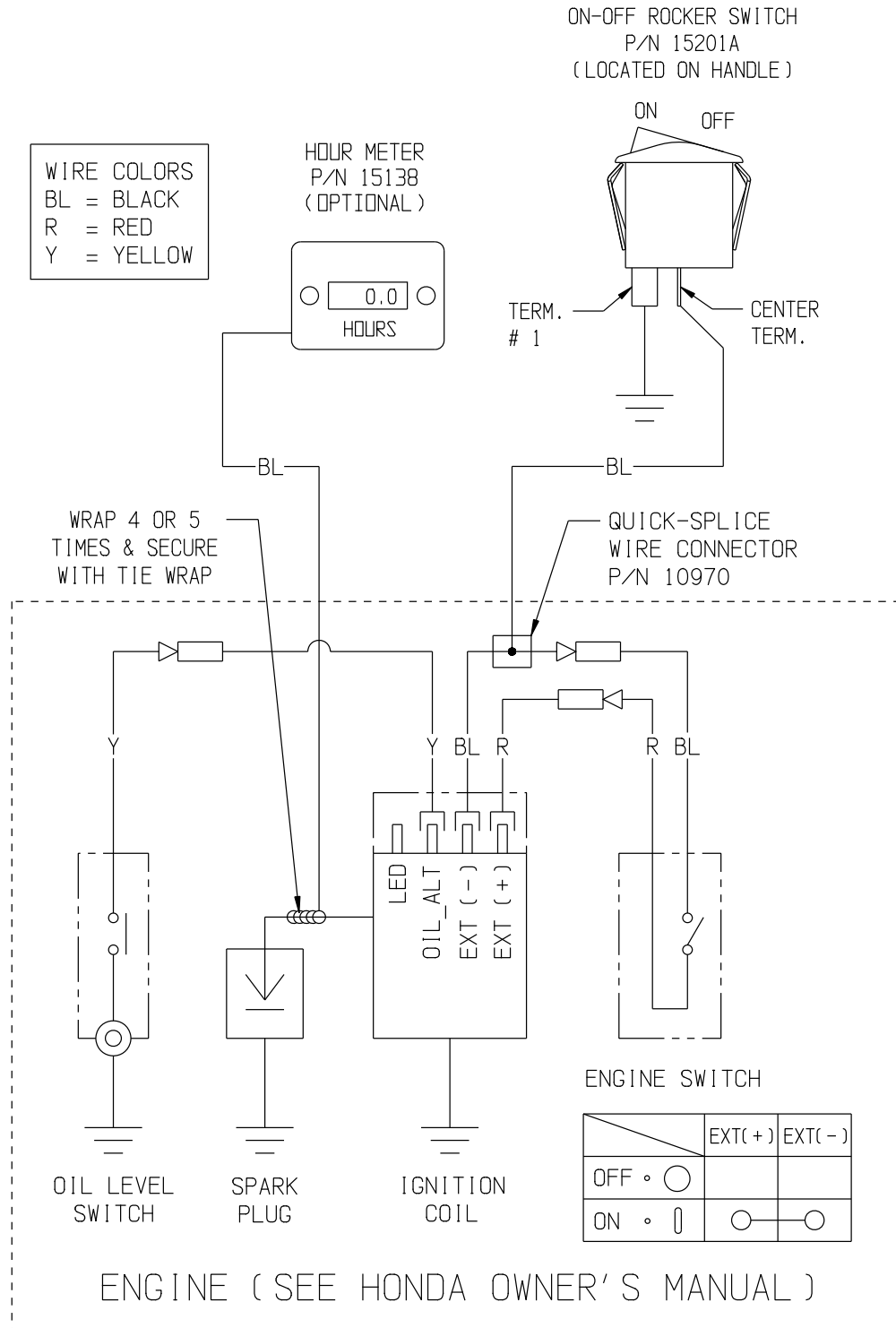
BALDOR ELECTRIC Co.

3PH, DV, 9 LEADS



100 Thomas Johnson Drive, Frederick, MD 21702-4600 USA
 Phone (301) 663-1600 • 1-800-638-3326
 Fax (301) 663-1607 • 1-800-447-3326
 Website: www.edcoinc.com
 Email: sales@edcoinc.com

WIRING DIAGRAM FOR HONDA ENGINE



DECALS



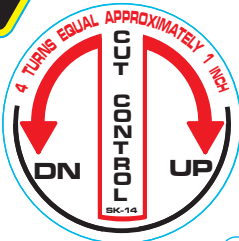
exceeds 85dBA

CHECK OIL DAILY

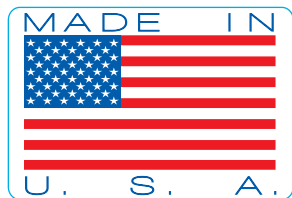
SK-14 14 x 17
P/N 92212 Rev. B



CALIFORNIA PROPOSITION 65 WARNING
The engine exhaust from this product contains chemicals known to the State of California to cause cancer, birth defects or other reproductive harm.

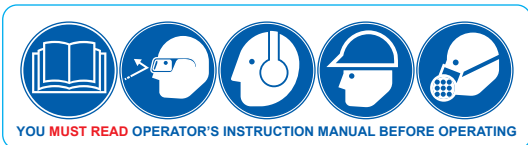


GREASE BEARINGS
DAILY



⚠ DANGER
BEFORE CUTTING INTO ANY SURFACE,
INSURE THERE ARE NO BURIED GAS,
ELECTRICAL, HIGH PRESSURE AIR,
SEWER OR WATER LINES

NOTE: Locate this decal so it is visible from operator's position



YOU MUST READ OPERATOR'S INSTRUCTION MANUAL BEFORE OPERATING



SK14
EDCO
SCAN FOR TRAINING MATERIAL



SB14
EDCO
SCAN FOR TRAINING MATERIAL



C10
EDCO
SCAN FOR TRAINING MATERIAL



THROTTLE

WARNING
THERE IS NO OIL IN THIS MACHINE



DECALS

Reset Switch
P/N 91332

Reset Switch
P/N 91333

PN: 91326



A Division of Equipment Development Company, Inc.

100 Thomas Johnson Drive, Frederick, MD 21702-4600 USA
 Phone (301) 663-1600 • 1-800-638-3326
 Fax (301) 663-1607 • 1-800-447-3326
 Website: www.edcoinc.com
 Email: sales@edcoinc.com

Printed in USA

JWA ©2012

Page 27

LIMITED EQUIPMENT WARRANTY OF SALE – TERMS & CONDITIONS

Equipment Development Company, Inc. herein referred to as EDCO (Seller) warrants that each new unit manufactured by EDCO to be free from defects in material and workmanship in normal use and service for a period of (1) one year (except for the cutter drum assembly on all model concrete/asphalt planes, in which case the warranty period shall be 90 days) from date of shipment to the original retail or equipment rental center owner.

Accessories or equipment furnished and installed on the product by EDCO but manufactured by others, including, but not limited to engines, motors, electrical components, transmissions etc., shall carry the accessory manufacturers own warranty.

EDCO will, at its option, repair or replace, at the EDCO factory or at a point designated by EDCO, any part which shall appear to the satisfaction of EDCO inspection to have been defective in material or workmanship.

EDCO reserves the right to modify, alter and improve any part or parts without incurring any obligation to replace any part or parts previously sold without such modified, altered or improved part or parts.

This warranty is in lieu of and excludes all other warranties, expressed, implied, statutory, or otherwise created under applicable law including, but not limited to the warranty of merchantability and the warranty of fitness for a particular purpose in no event shall seller or the manufacturer of the product be liable for special, incidental, or consequential damages, including loss of profits, whether or not caused by or resulting from the negligence of seller and/or the manufacturer of the product unless specifically provided herein. In addition, this warranty shall not apply to any products or portions thereof of which have been subjected to abuse, misuse, improper installation, maintenance, or operation, electrical failure or abnormal conditions and to products which have been tampered with, altered, modified, repaired, reworked by anyone not approved by seller or used in any manner inconsistent with the provisions of the above or any instructions or specifications provided with or for the product

FORCE MAJEURE

Seller's obligation hereunder are subject to, and Seller shall not be held responsible for, any delay or failure to make delivery of all or any part of the Product due to labor difficulties, fires, casualties, accidents, acts of the elements, acts of God, transportation difficulties, delays by a common carrier, inability to obtain Product, materials or components or qualified labor sufficient to timely perform part of or all of the obligations contained in these terms and conditions, governmental regulations or actions, strikes, damage to or destruction in whole or part of manufacturing plant, riots, terrorist attacks or incidents, civil commotions, warlike conditions, flood, tidal waves, typhoon, hurricane, earthquake, lightning, explosion or any other causes, contingencies or circumstances within or without the United States not subject to the Seller's control which prevent or hinder the manufacture or delivery of the Products or make the fulfillment of these terms and conditions impracticable. In the event of the occurrence of any of the foregoing, at the option of Seller, Seller shall be excused from the performance under these Terms and Conditions, or the performance of the Seller shall be correspondingly extended.

This document sets forth the terms and conditions pursuant to which the purchaser ("Purchaser") will purchase and Equipment Development Co. Inc. ("Seller") will sell the products, accessories, attachments (collectively the Products) ordered by the Purchaser. These terms and conditions shall govern and apply to the sale of Seller's Products to Purchaser, regardless of any terms and conditions appearing on any purchase order or other forms submitted by Purchaser to Seller, or the inconsistency of any terms therein and herein.

1. PRICE

All prices set forth on any purchase order or other document are F.O.B. Seller's facility or distribution point, as may be determined by Seller (F.O.B. Point). All prices are exclusive of any and all taxes, including, but not limited to, excise, sales, use, property or transportation taxes related to the sale or use of the Products, now or hereafter imposed, together with all penalties and expenses. Purchaser shall be responsible for collecting and/or paying any and all such taxes, whether or not they are stated in any invoice for the Products. Unless otherwise specified herein, all prices are exclusive of inland transportation, freight, insurance and other costs and expenses relating to the shipment of the Products from the F.O.B. point to Purchaser's facility. Any prepayment by Seller of freight insurance and other costs shall be for the account of Purchaser and shall be repaid to Seller.

2. PAYMENT TERMS

Payment terms are as follows. 2% 10 days (to approved and qualified accounts). Net 30 days. This is a cash discount for invoices paid within 10 days after the invoice date, regardless of date of receipt of shipment. This is not a trade discount and will not be granted to accounts that do not adhere to stated terms.

*All past due accounts are subject to a late payment fee of 1.5% per month or a maximum allowed by law if different, along with the expenses incidental to collection including reasonable attorney's fees and costs.

*Seller reserves the right to hold shipments against past due accounts.

*Seller reserves the right to alter payment terms.

3. FREIGHT TERMS

All shipments will be made F.O.B. shipping point as designated in these Terms and Conditions, and title shall pass at the F.O.B. point. Delivery to the initial common carrier shall constitute delivery to the Purchaser. Any claims for loss or damage during shipment are to be filed with carrier by the Purchaser. Seller will not assume responsibility for the performance of the carrier.

Back orders will be shipped in the most practical fashion with charges consistent with our freight policy established with the original order. UPS, FED EX, MAIL or shipments by other couriers are subject to the same terms and conditions as outlined in paragraph #3 "Freight Terms".

4. DELIVERY, DAMAGES, SHORTAGES

Seller shall use reasonable efforts to attempt to cause the Products to be delivered as provided for in these Terms & Conditions. Delivery to the initial common carrier shall constitute the delivery to the Purchaser. Seller's responsibility, in so far as transportation risks are concerned ceases upon the delivery of the Products in good condition to such carrier at the F.O.B. point and all the Products shall be shipped at the Purchaser's risk. Seller shall not be responsible or liable for any loss of income and/or profits, or incidental, special, consequential damages resulting from Seller's delayed performance in shipment and delivery.

5. RETURN OF DEFECTIVE PRODUCTS

Defective or failed material shall be held at the Purchaser's premises until authorization has been granted by Seller to return or dispose of Products. Products that are to be returned for final inspection must be returned Freight Prepaid in the most economical way. Credit will be issued for material found to be defective upon Seller's inspection based on prices at time of purchase.

6. PRODUCTS ORDERED IN ERROR

Products may be returned, provided that claim is made and Seller is notified within 7 days of receipt of Products, and the Products are in original buyer's possession not more than 30 days prior to return, subject to Seller's approval. If Products are accepted for return, they must be Freight Prepaid and buyer will be charged a minimum of 15% restocking charge, plus a charge back for outbound freight charges if the original order was shipped prepaid. Returns are not accepted for any Products that are specifically manufactured to meet the buyer's requirement of either specifications or quantity.

AGREEMENTS

These Terms and Conditions constitute the entire agreement between Seller and Purchaser as it relates to terms and conditions of sale, and supersedes any and all prior oral or written agreements, correspondence, quotations or understandings heretofore in force between the parties relating to the subject matter hereof. There are no agreements between Seller and Purchaser with respect to the Product herein except those specifically set forth in and made part of these terms and conditions. Any additional terms, conditions and/or prices are rejected by Seller.

These terms and conditions may be modified, cancelled or rescinded only by a written agreement of both parties executed by their duly authorized agents.

USE ONLY GENUINE EDCO PARTS & ACCESSORIES
For your own safety, the safety of others and the life of your machine.

Equipment Development Company, Inc.