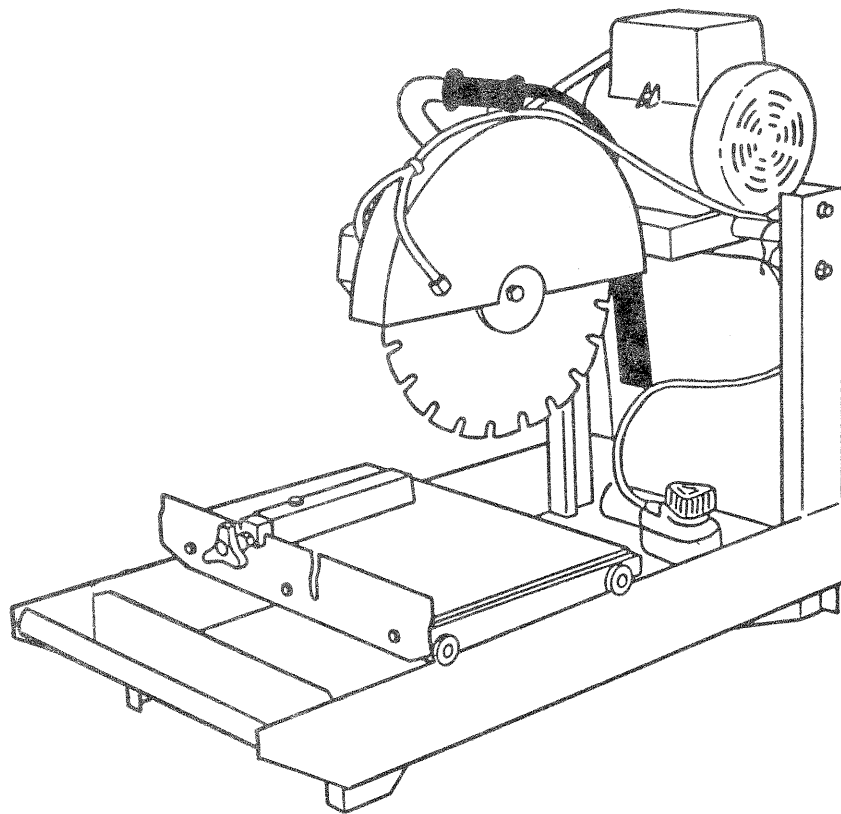
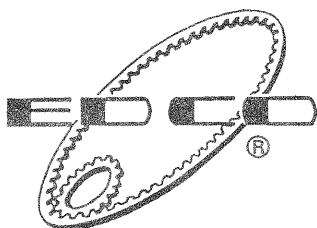


# ELECTRIC POWERED 14" MASONRY SAW

## INSTRUCTIONS AND PARTS MANUAL



SPARTAN and SPARTAN-PRO



**EQUIPMENT DEVELOPMENT COMPANY, INC.**

100 THOMAS JOHNSON DRIVE, FREDERICK, MARYLAND 21702-4305 USA  
301-663-1600 TOLL FREE 1-800-638-3326 FAX 301-663-1607

## OPERATING INSTRUCTIONS FOR ELECTRIC MASONRY SAW

EDCO electric powered 1 1/2 or 2 H.P. saws - portable - weight 200 lbs. - optional folding stand and foot pedal available.

DO NOT OPERATE ELECTRIC POWERED MASONRY SAW UNLESS EQUIPMENT IS PROPERLY GROUNDED!

Check all electrical cables - be sure connections are tight and cable is continuous. USE ONLY 3 WIRE GROUNDED CORD.

Check to be sure that voltage selector switch is in proper position corresponding to the voltage being used.

Check to be sure that voltage supply is correct - motor burn out will occur if voltage is too high or too low.

Extension cords should be in good condition - no breaks - or taped sections.

USE ONLY APPROVED (U.L. CSA, ETC.) WIRE, CONNECTORS, SWITCH BOXES, ETC.

Turn on motor - listen to be sure motor reaches operating speed - do not use if motor hums or does not reach operating speed within a few seconds.

Motor hum - usually indicates a malfunction:

1. Voltage too low
2. Motor problems
3. Blade jammed
4. Voltage selector switch in wrong position
5. Belts too tight

When cutting masonry products - it is important that blade be allowed to cut at its maximum R.P.M. - Do not force or jam blades - this will cause motor to overheat, trip overload device, or motor to burn out.

To cut dry with abrasive blades - check manufacturer's blotter sticker, on blade, for correct operating speed. Blades rated at a speed less than 3600 RPM should NEVER BE USED.

Proper speed blades are those between 3600 and 4600 RPM.

Since blades made by different manufacturers act differently - don't expect to get the same result from each blade.

When cutting wet with an abrasive blade, be aware the blade becomes harder when used wet. Therefore, select only blades marked for "wet cut".

NEW - Dry-cut diamond blades are available for use on masonry saws. These blades are laser welded and are for cutting standard brick or block without water. Ideal for winter construction or if dry cutting is specified. Water may be used to control dust.

Advantages of dry-cut diamond blades - longer blade life, retains it's diameter, speed of cut is much faster than abrasives - saves time and labor when changing blades.

Rule of thumb: Hard materials require soft blades - Soft materials require hard blades. Check manufactures specifications on blade and be sure it corresponds with the material you will be cutting.

For wet cutting:

Fill tray with clean water - plug submersible pump into special pump outlet on motor.

Keep tray clean and do not allow pump to run dry by becoming jammed with dust or cuttings.

BE SURE THAT ADEQUATE WATER REACHES BLADE - check hoses, valves, etc.

When using diamond blades always keep water supply at maximum level be sure blade is running cool. Use proper blade for material to be cut.

ELECTRIC MOTOR BURNOUT IS USUALLY OPERATOR'S FAULT -  
JAMMING BLADE INTO CUT  
LOW VOLTAGE  
IMPROPER BLADE BEING USED  
TOO LONG OR WRONG SIZE EXTENSION CORDS.

If electric power is not available - use the EDCO Model GMS gasoline powered masonry saw. Ideal for cutting and installing pavers.

\* \* \* \* \*

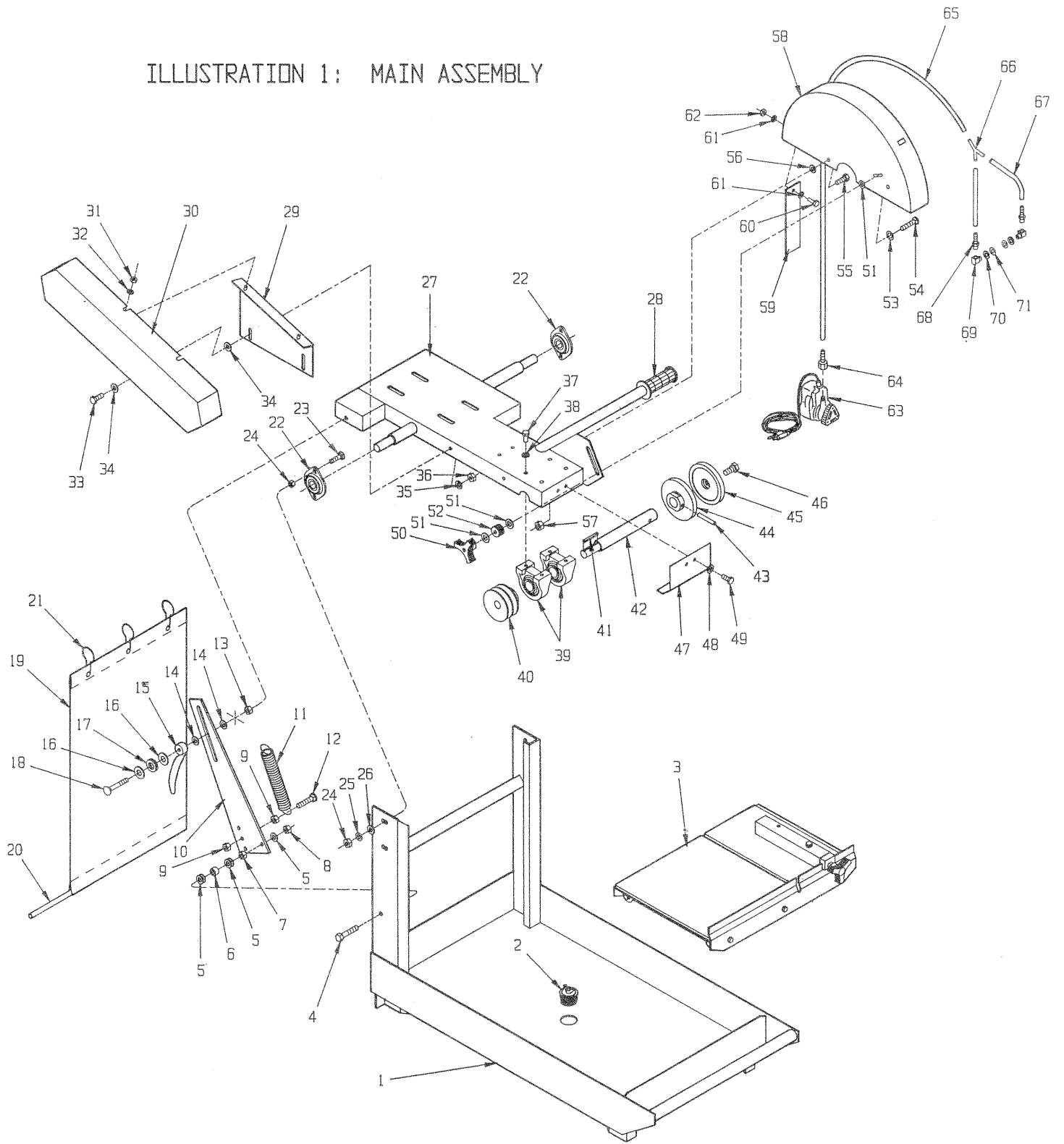
### HOW TO ORDER REPAIR PARTS

To insure product safety and reliability, always use genuine EDCO replacement parts when making repairs to the equipment.

When ordering parts, please specify the MODEL and SERIAL NUMBER of the machine as given on the NAME PLATE and give quantity, part number, and description as listed on parts list.

Please note: Due to improvements and changes in the equipment, the illustrations shown may be different than the actual machine.

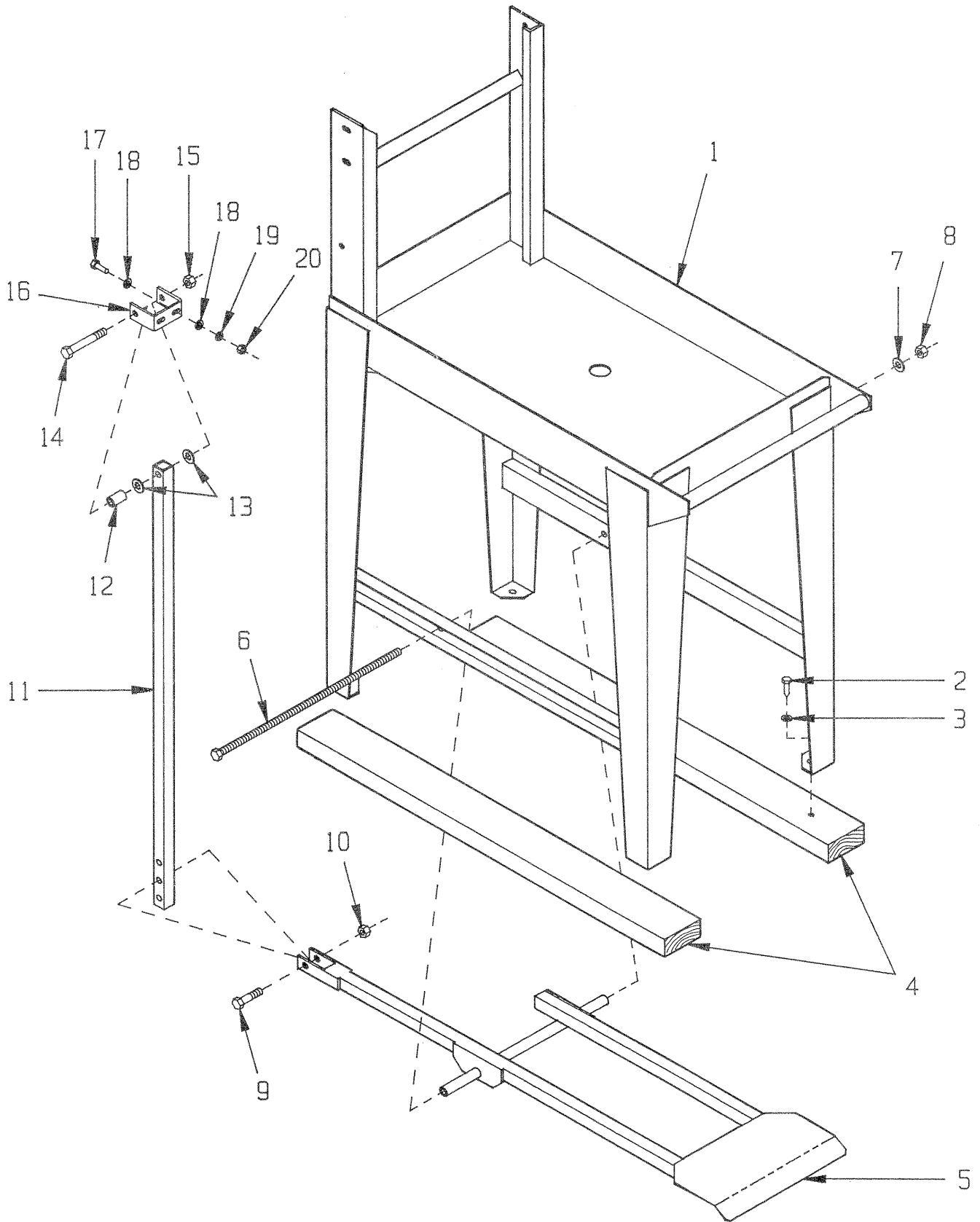
# ILLUSTRATION 1: MAIN ASSEMBLY



## PARTS LISTING - ILLUSTRATION 1: MAIN ASSEMBLY

Item #	Part #	Description	Qty.
1	40420	Pan Assembly (SPARTAN Model)	1
2	40378	Stopper 1-1/2"	1
3	40421	Rolling Table Complete See Illus. 4 for Breakdown	1
4	10029	Screw, Cap 3/8-24 x 1-3/4	1
5	10025	Washer, Flat 3/8	5
6	10011	Spacer 3/8"ID x 3/8"W	1
7	10014	Nut 3/8-24	1
8	10004	Nut, Lock 3/8-24	1
9	10404	Nut 3/8-16	2
10	40031	Plate, Pivot Lock	1
11	40032G	Spring, Ext. 1.25"OD x 7"L	1
12	10917	Bolt, Carr. 3/8-16 x 2	1
13	10404	Nut 3/8-16	1
14	10025	Washer, Flat 3/8	2
15	40044	Nut, Tail 3/8-16	1
16	10312	Washer, Flat 1/2	2
17	79035	Bushing, Rubber	1
18	10908	Bolt, Carr. 3/8-16 x 2-1/2	1
19	40375	Curtain	1
20	40377	Curtain Rod	1
21	40376	Curtain Hook	3
22	40450	Bearing, Ball 3/4" Sheet Metal	2
23	10819	Bolt, Carr. 5/16-18 x 1	4
24	10054	Nut 5/16-18	8
25	10801	Washer, Lock 5/16	4
26	10213	Washer, Flat 5/16	4
27	40407	Deck Assembly	1
28	10927	Grip, Hand 3/4"	1
29	40009	Bracket, Belt Cover	1
30	40008	Belt Cover	1
31	10015	Nut, Lock 1/4-20	2
32	10602	Washer, Flat 1/4	2
33	10053	Screw, Cap 5/16-18 x 3/4	2
34	10213	Washer, Flat 5/16	3
35	10801	Washer, Lock 5/16	2
36	10054	Nut 5/16-18	2
37	10907	Screw, Cap 3/8-16 x 3/4	4
38	10811	Washer, Lock 3/8	4
39	50222	Bearing, Ball 1" Tapped Block	2
40	40005	Sheave 3"OD x 2Gr.A x 3/4"Bore	1
41	10060	Key 3/16"Sq. x 1-1/4	1
42	40408	Arbor Shaft	1
43	10211	Pin, Roll 5/16 x 2	1
44	40409	Arbor Backing Plate	1
45	40410	Arbor Blade Retaining Cap	1
46	10304	Screw, Cap 1/2-20 x 1	1
47	40411	Arbor Bearing Cover	1
48	10801	Washer, Lock 5/16	2
49	10053	Screw, Cap 5/16-18 x 3/4	2
50	80011	Knob, Star 3/8-16	1
51	10025	Washer, Flat 3/8	3
52	10034	Bushing, Rubber 3/8"ID	1
53	10040	Washer, Garret 17/32	1
54	10087	Bolt, Carr. 3/8-16 x 1-3/4	1
55	10021	Screw, Cap 3/8-24 x 1	1
56	10025	Washer, Flat 3/8	1
57	10004	Nut, Lock 3/8-24	1
58	40414	Blade Guard 14"	1
59	40012	Flap, Splash	1
60	10018	Screw, Cap 1/4-20 x 3/4	1
61	10602	Washer, Flat 1/4	2
62	10015	Nut, Lock 1/4-20	1
63	40017	Pump, Water 115VAC Submersible	1
64	40415	Barb. 1/4Hose x 1/4FPT	1
65	40412	Hose 1/4"ID x 48"L	1
66	99323	Barbed Fitting, "Y" 1/4"Hose	1
67	40413	Hose 1/4"ID x 6"	2
68	10708	Barb, 1/4"Hose x 1/8MPT	2
69	40015	Elbow, Street 1/8NPT x 90	2
70	10025	Washer, Flat 3/8	2
71	10468	Nut, Push 3/8	2

ILLUSTRATION 2: SPARTAN-PRO PAN ASSEMBLY WITH LEGS AND FOOT PEDAL



PARTS LISTING - ILLUSTRATION 2:  
SPARTAN-PRO PAN ASSEMBLY W/ LEGS AND FOOT PEDAL

Item #	Part #	Description	Qty.
1	40430	Pan Assembly W/ Legs	1
2	10367	Bolt, Lag 3/8 x 1-1/2	4
3	10025	Washer, Flat 3/8	4
4	40431	Skid Board 2 x 4 x 36"	2
5	40432	Foot Pedal	1
6	40383	Rod, Allthread Bolt 1/2-13 x 17	1
7	10312	Washer, Flat 1/2	1
8	10407	Nut, Lock 1/2-13	1
9	10322	Screw, Cap 1/2-20 x 2	1
10	10205	Nut, Lock 1/2-20	1
11	40382	Linkage, Drag 37-1/2"	1
12	40433	Spacer 3/4"OD x 1/2"ID x 1-3/16	1
13	10312	Washer, Flat 1/2	2
14	10324	Screw, Cap 1/2-13 x 3-1/2	1
15	10407	Nut, Lock 1/2-13	1
16	40385	Bracket, Foot Pedal Linkage	1
17	10021	Screw, Cap 3/8-24 x 1	2
18	10025	Washer, Flat 3/8	4
19	10811	Washer, Lock 3/8	2
20	10014	Nut 3/8-24	2

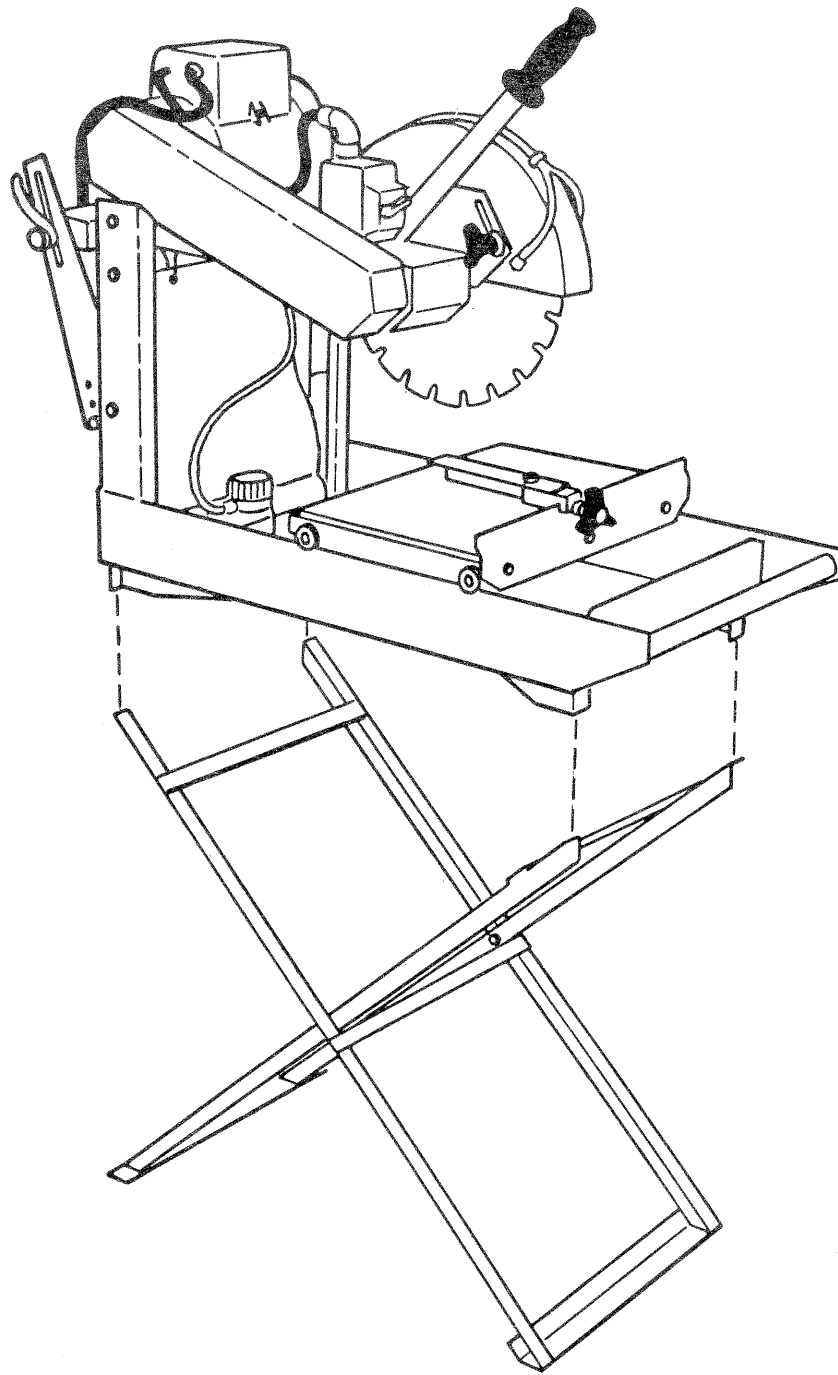


ILLUSTRATION 3:  
OPTIONAL PORTABLE FOLDING STAND  
Model SME Part #21900



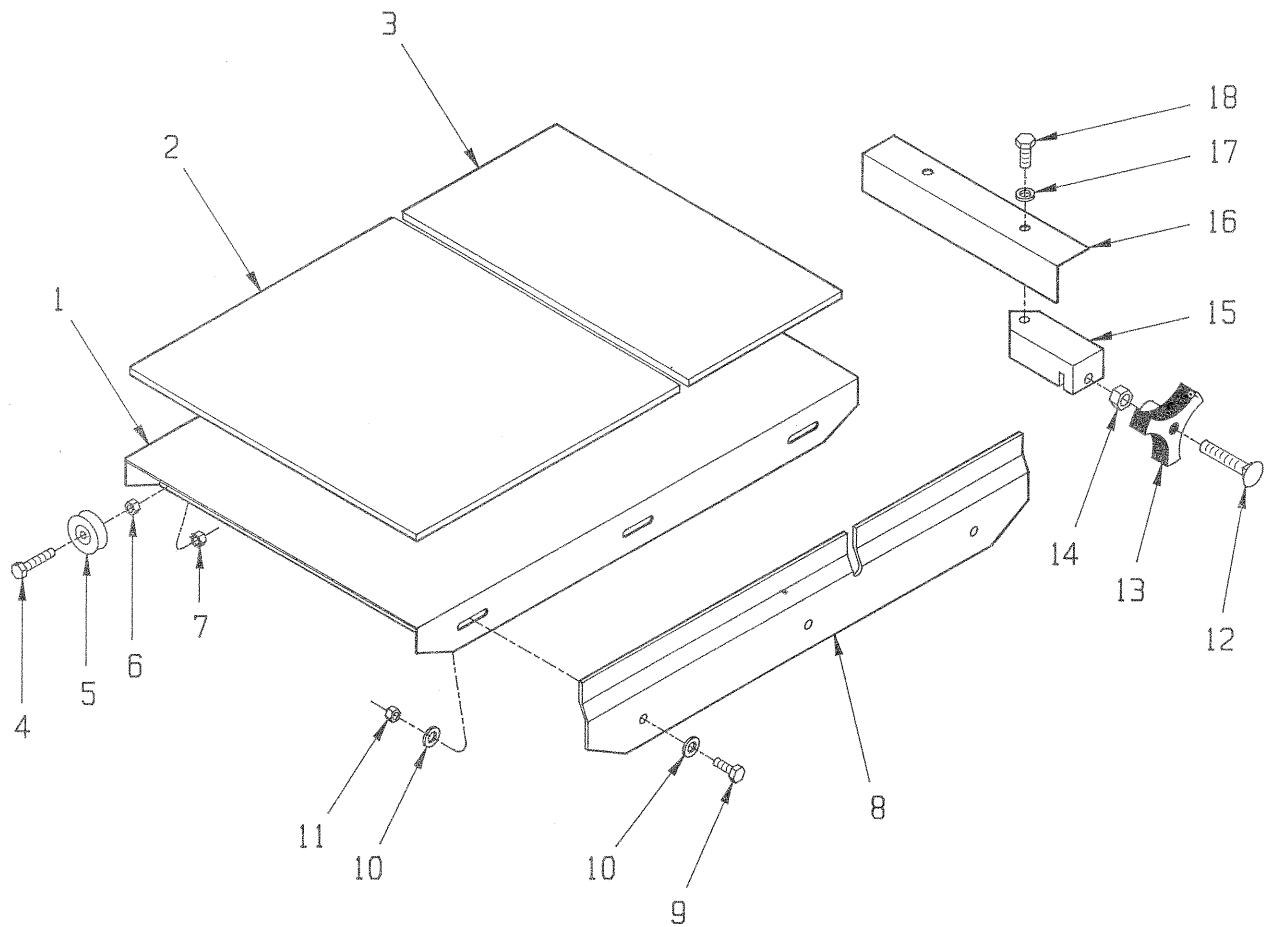


ILLUSTRATION 4: ROLLING TABLE ASSEMBLY

Part #40421 Complete Table Assembly (All Items)  
 Part #40069 Cut Guide Complete (Items 12 thru 18)

Item #	Part #	Description	Qty.
1	40422	Table, Rolling	1
2	40405	Pad 10-3/4 x 11-3/4	1
3	40406	Pad 6-1/4 x 11-3/4	1
4	10860	Bolt, Tap 1/4-20 x 1-1/4	4
5	14082	Wheel, Track 1-1/4" Dia.	4
6	10013	Nut 1/4-20	4
7	10861	Nut, Keps 1/4-20	4
8	40403	Table Front Panel	1
9	10018	Screw, Cap 1/4-20 x 3/4	3
10	10602	Washer, Flat 1/4	6
11	10015	Nut, Lock 1/4-20	3
12	10364	Bolt, Carr. 3/8-16 x 2 Full Thd	1
13	80011	Knob, Star 3/8-16	1
14	10404	Nut 3/8-16	1
15	42015	Guide Block, Cut	1
16	40058	Guide, Cut	1
17	10801	Washer, Lock 5/16	1
18	10053	Screw, Cap 5/16-18 x 3/4	1

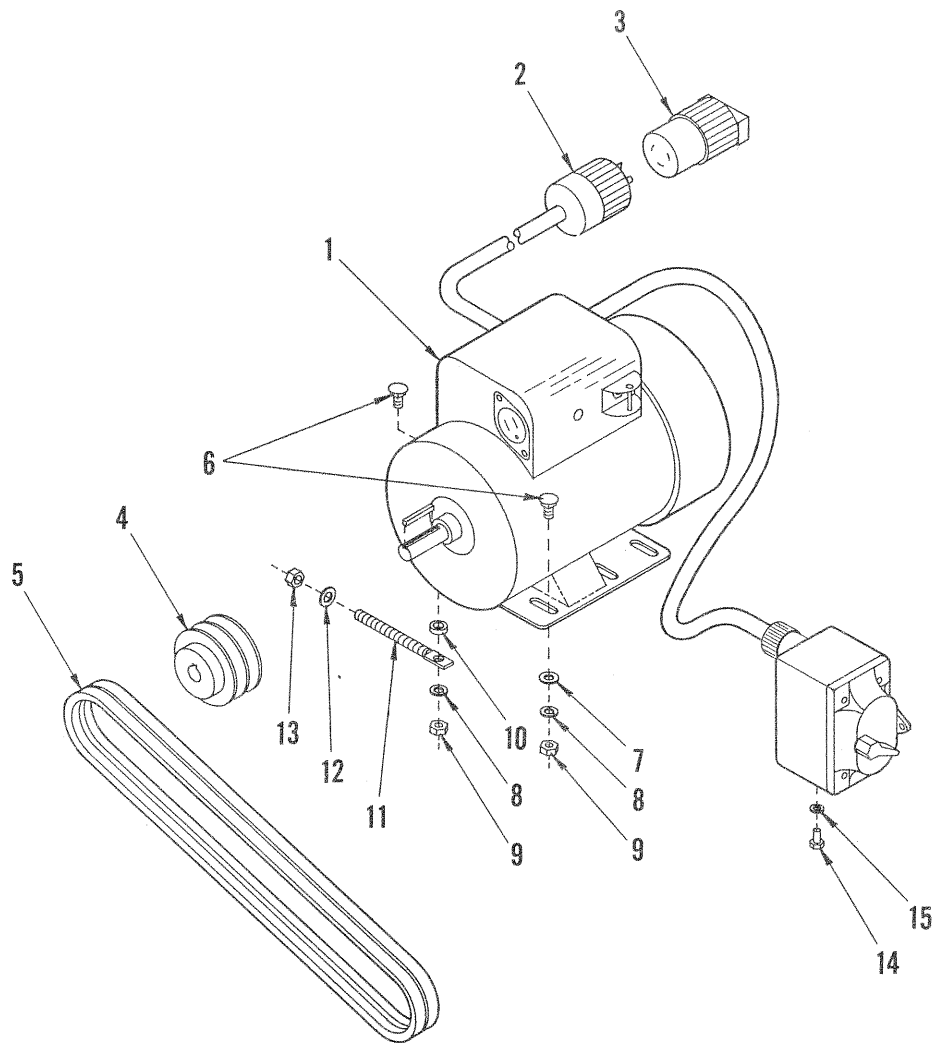


ILLUSTRATION 5: POWER OPTIONS  
1-1/2 or 2 H.P. ELECTRIC LEESON

Item #	Part #	Description	Qty.
1	16006	Motor, Leeson 1-1/2 H.P.	1
or	16007	Motor, Leeson 2 H.P.	
2	40042	Plug 20A/125V	1
or	40037	Plug 20A/250V	
3	40041	Plug Connector 20A/125V	1
or	40000	Plug Connector 20A/250V	
4	40005	Sheave 3"OD x 2Gr.A x 3/4"Bore	1
5	50018	Belt AX-38	2
6	10818	Bolt, Carr. 5/16-18 x 3/4	4
7	10213	Washer, Flat 5/16	3
8	10801	Washer, Lock 5/16	4
9	10054	Nut 5/16-18	4
10	10113	Spacer, Steel 3/8"ID x 7/32"W	1
11	10845	Bolt, Spade 3/8-16 x 4-1/8	1
12	10025	Washer, Flat 3/8	1
13	10404	Nut 3/8-16	1
14	10834	Screw, Cap 1/4-20 x 1/2	2
15	10038	Washer, Lock 1/4	2

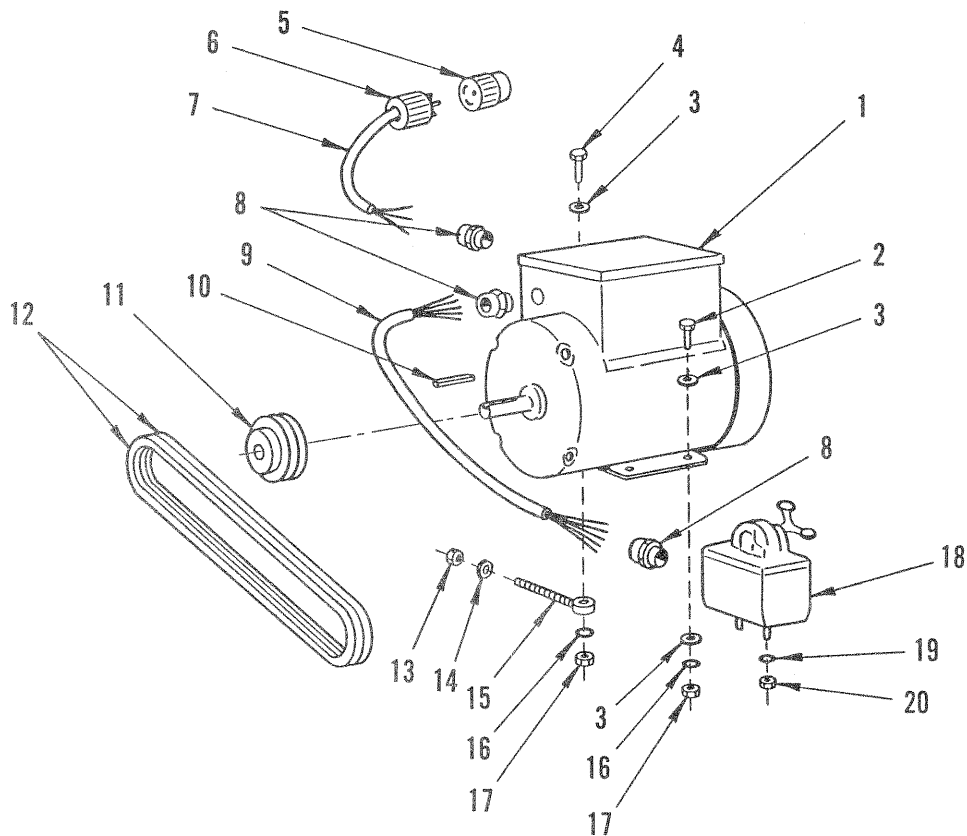


ILLUSTRATION 6: POWER OPTIONS  
1-1/2 or 2 H.P. ELECTRIC BALDOR

Item #	Part #	Description	Qty.
1	14004	Motor, Baldor 1-1/2 H.P.	1
or	14001	Motor, Baldor 2 H.P.	
2	10806	Screw, Cap 5/16-18 x 1	3
3	10213	Washer, Flat 5/16	7
4	10606	Screw, Cap 5/16-18 x 1-1/4	1
5	40041	Plug Connector 20A/125V	1
or	40000	Plug Connector 20A/250V	
6	40042	Plug 20A/125V	1
or	40037	Plug 20A/250V	
7	40001	Wire Harness 10/3 x 18"	1
8	10605	Connector, Strain Relief 3/4NPT x .625 to .750 Range	3
9	40006	Wire Harness 12/5 x 35"	1
10	10060	Key 3/16Sq. x 1-1/4	1
11	40005	Sheave 3"OD x 2Gr.A x 3/4"Bore	1
12	50018	Belt AX-38	2
13	10404	Nut 3/8-16	1
14	10025	Washer, Flat 3/8	1
15	10845	Bolt, Spade 3/8-16 x 4-1/8	1
16	10801	Washer, Lock 5/16	4
17	10054	Nut 5/16-18	4
18	40007	Switch with Enclosure	1
19	10038	Washer, Lock 1/4	2
20	10013	Nut 1/4-20	2