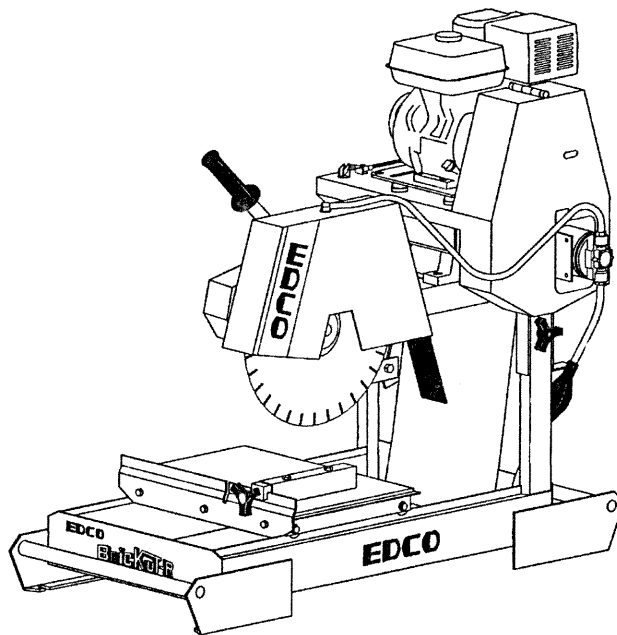


Parts List Manual

Model GMS-14



Gasoline Powered 14" Masonry Saw



100 Thomas Johnson Drive, Frederick, MD 21702-4600 USA
Phone (301) 663-1600 • 1-800-638-3326
Fax (301) 663-1607 • 1-800-447-3326
Website: www.edcoinc.com • Email: sales@edcoinc.com

Printed in USA
© 2000



READ AND UNDERSTAND THE INSTRUCTIONS THOROUGHLY BEFORE ATTEMPTING TO OPERATE THIS EQUIPMENT.

Death or serious injury could occur if the machine is used improperly.



SAFETY MESSAGES

The safety instructions are preceded by a graphic alert message of DANGER, WARNING or CAUTION.



A safety instruction that advises that death or serious injury will result if instructions are not followed and caution exercised.



A safety instruction that advises that death or serious injury can result if instructions are not followed and caution exercised.



A safety instruction that advises that injury could result if instructions are not followed.

PLEASE FILL IN INFORMATION AND SAVE

Date of Purchase _____

Name of Machine _____

Model # _____

Serial # _____

Belt Size(s) _____



WARNING



The engine exhaust from this product contains chemicals known to the State of California to cause cancer, birth defects or other reproductive harm.

GASOLINE POWERED EQUIPMENT



The engine exhaust from this product contains chemicals known, in certain quantities, to cause cancer, birth defects or other reproductive harm.



Do not operate gasoline powered equipment without adequate ventilation. Carbon monoxide is an invisible, odorless gas that can kill.



ELECTRIC POWERED EQUIPMENT



ELECTRICAL HAZARD Be sure equipment is properly grounded. Failure to comply could kill or result in serious injury.



GENERAL INSTRUCTIONS



1. Read and understand the instructions, including the engine manual. Different models may have different parts and controls.
2. Equipment should only be operated by trained personnel in good physical condition and mental health (not fatigued). The operator and maintenance personnel must be physically able to handle the bulk weight and power of this equipment.
3. This is a one person tool. Maintain a safe operating distance to other personnel.
4. This equipment is intended for commercial use.
5. For the operators safety and the safety of others, always keep all guards in place during operation.
6. Never let equipment run unattended.
7. Do not lend or rent equipment without including the operation instructions for the machine and the engine.
8. Wear proper attire including safety shoes, hard hat (when appropriate for the job), hearing protection, non-fogging vented safety goggles or face screen and dust respirator (when dry cutting).
9. Keep body parts and loose clothing away from moving parts. Failure to do so could result in dismemberment or death.
10. Do not modify the machine. Use only genuine EDCO parts and accessories. Repairs and service should be performed by approved EDCO dealers/repair technicians.
11. Stop engine/motor when adjusting, servicing or fueling.
12. Gasoline is extremely flammable and poisonous. It should only be dispensed in well ventilated areas, and with a cool engine.

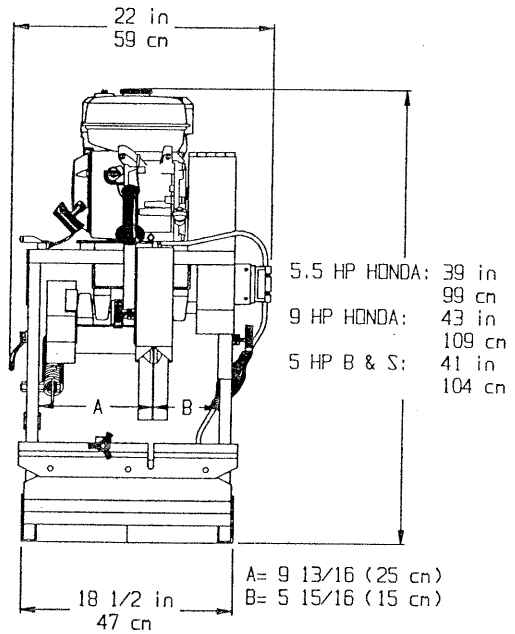
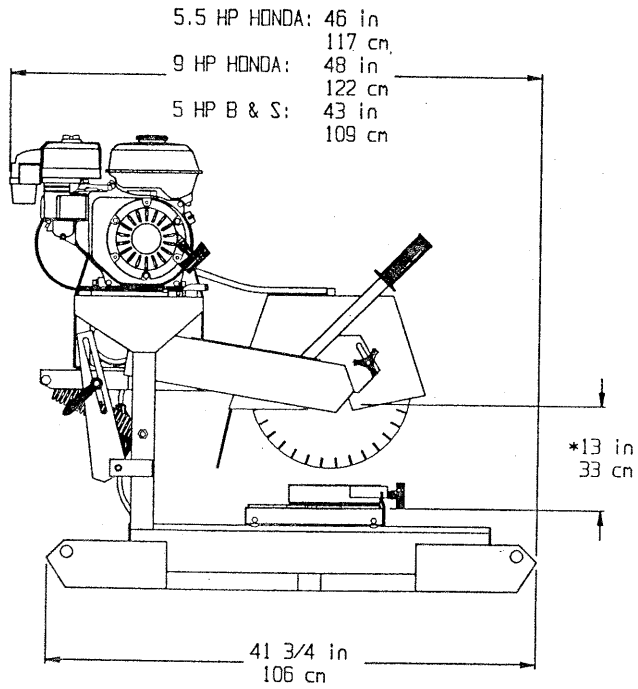
TABLE OF CONTENTS

INSTRUCTIONS.....1
DIMENSIONS.....3
SPECIFICATIONS.....4

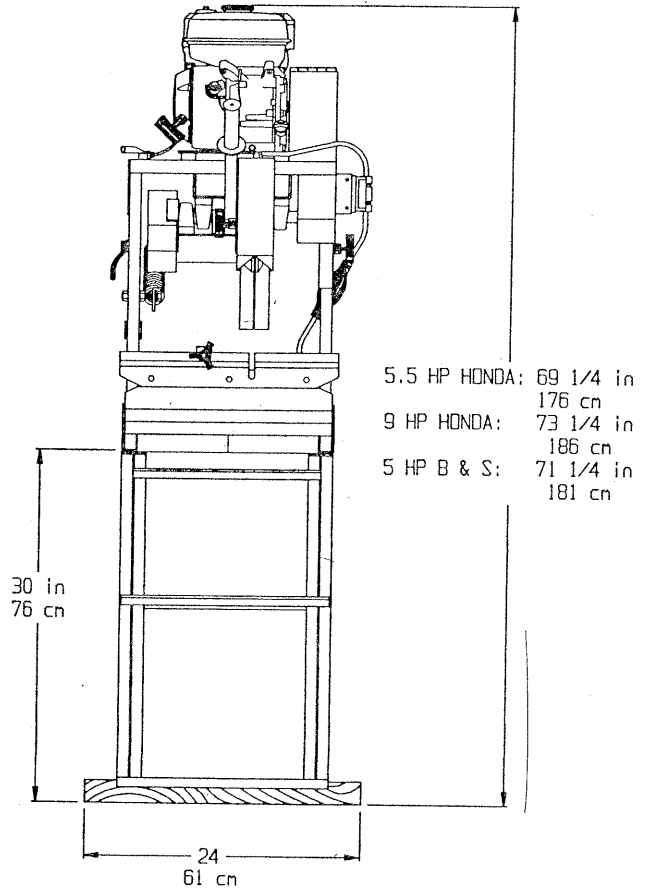
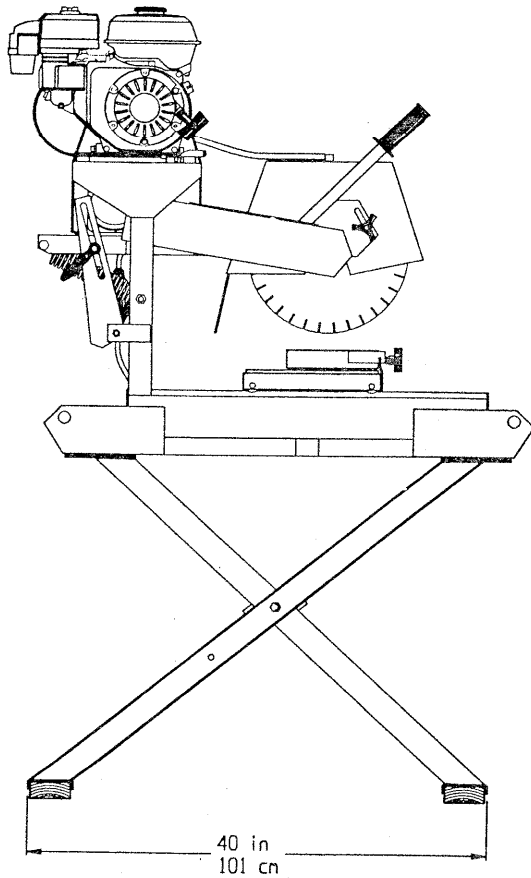
PARTS LIST:

ILLUSTRATION 1: MAIN GROUPING.....5
ILLUSTRATION 2: ARBOR ASSEMBLY GROUPING.....7
ILLUSTRATION 3: ROLLING TABLE ASSEMBLY GROUPING....8
ILLUSTRATION 4: WATER PUMP & BLADE GUARD GROUPING..9
ILLUSTRATION 5: ENGINE GROUPING.....11
ILLUSTRATION 6: BELT & DRIVE SHAFT GROUPING.....13
ILLUSTRATION 7: OPTIONAL STAND & FOOT PEDAL ASSEM.14
WARRANTY.....15
HOW TO ORDER REPAIR PARTS.....15

DIMENSIONS



*IN UP POSITION FROM ROLLING TABLE TO BOTTOM OF ARBOR CAP.
(8" FROM BOTTOM OF BLADE TO TOP OF TABLE)



SPECIFICATIONS

APPROX. NET WEIGHT.....260 LB/118 KG

POWER OPTIONS: 5.5 HP HONDA
9 HP HONDA
5.5 HP BRIGGS & STRATTON VANGUARD

DUAL V-BELT DRIVE

BLADE SPEED (MAX.).....3600 RPM

BLADE GUARD CAPACITY.....14 in/356 mm

MAX. DEPTH OF CUT.....4.75 in/121 mm

ARBOR SIZE.....1 in/25.4 mm

ROLL TABLE SIZE.....12 in x 19 in (30 cm x 48 cm)

ROLL TABLE TRAVEL.....17 in/43.2 cm

WATER PUMP CAPACITY.....1.25 GAL/MIN
4.75 L/MIN

OPTIONAL FOLDING STAND:

DIMENSIONS.....41.75"L x 24"W x 30"H
106 cm x 61.0 cm x 76.2 cm

STAND WEIGHT.....44.5 LB/20.2kg

FOOT PEDAL WEIGHT.....19.25 LB/8.7kg

** "TOTE-A-SAW" TRANSPORTING WHEELS (OPTIONAL) P/N 20350 **

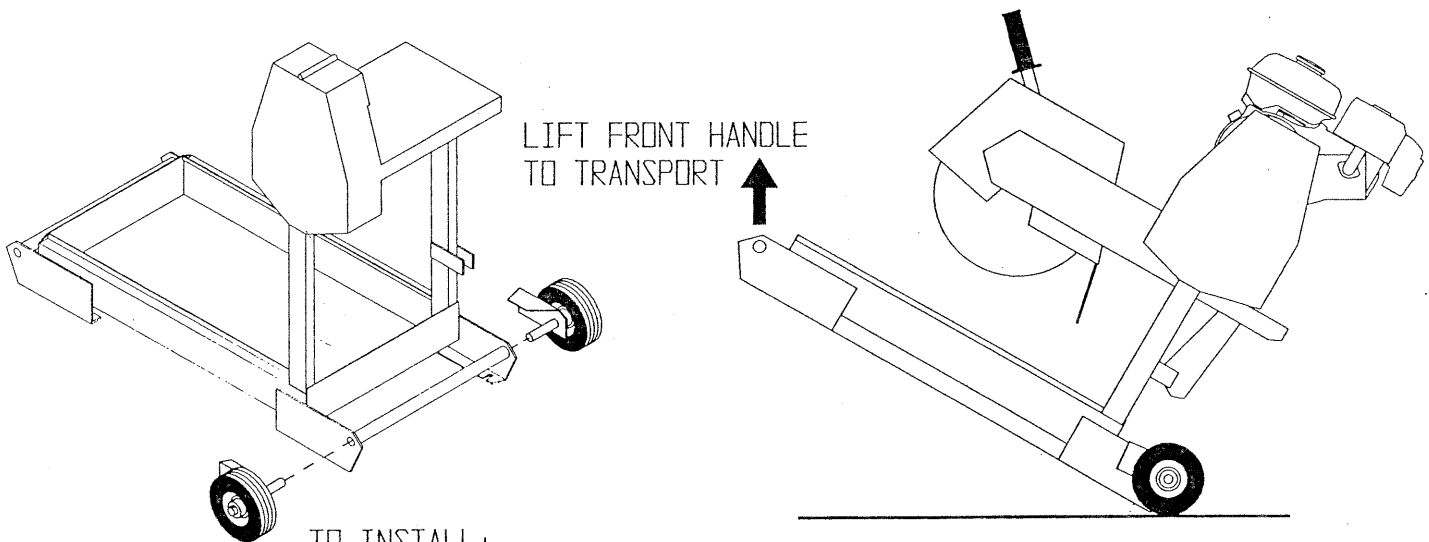


ILLUSTRATION 1: MAIN GROUPING

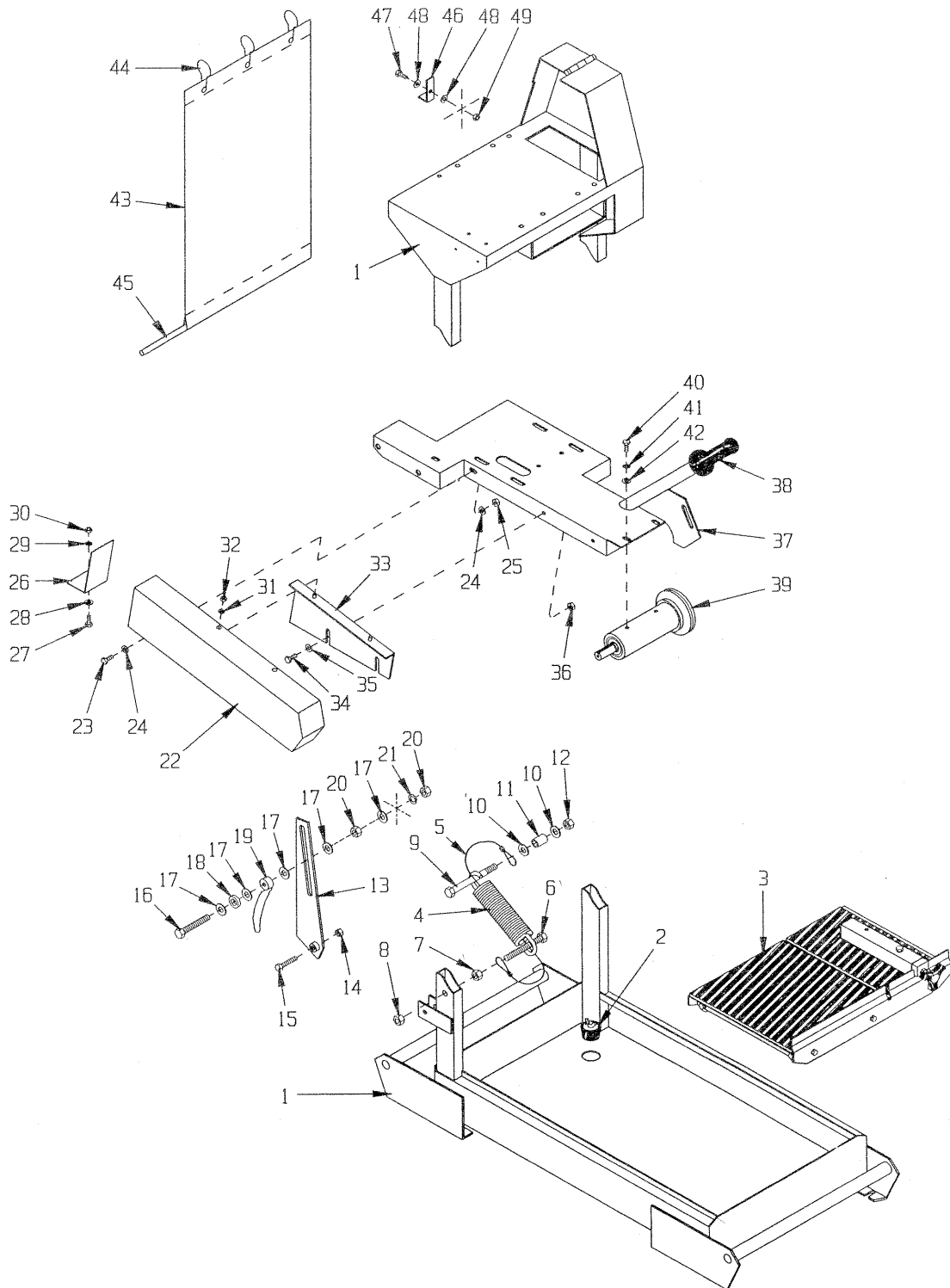
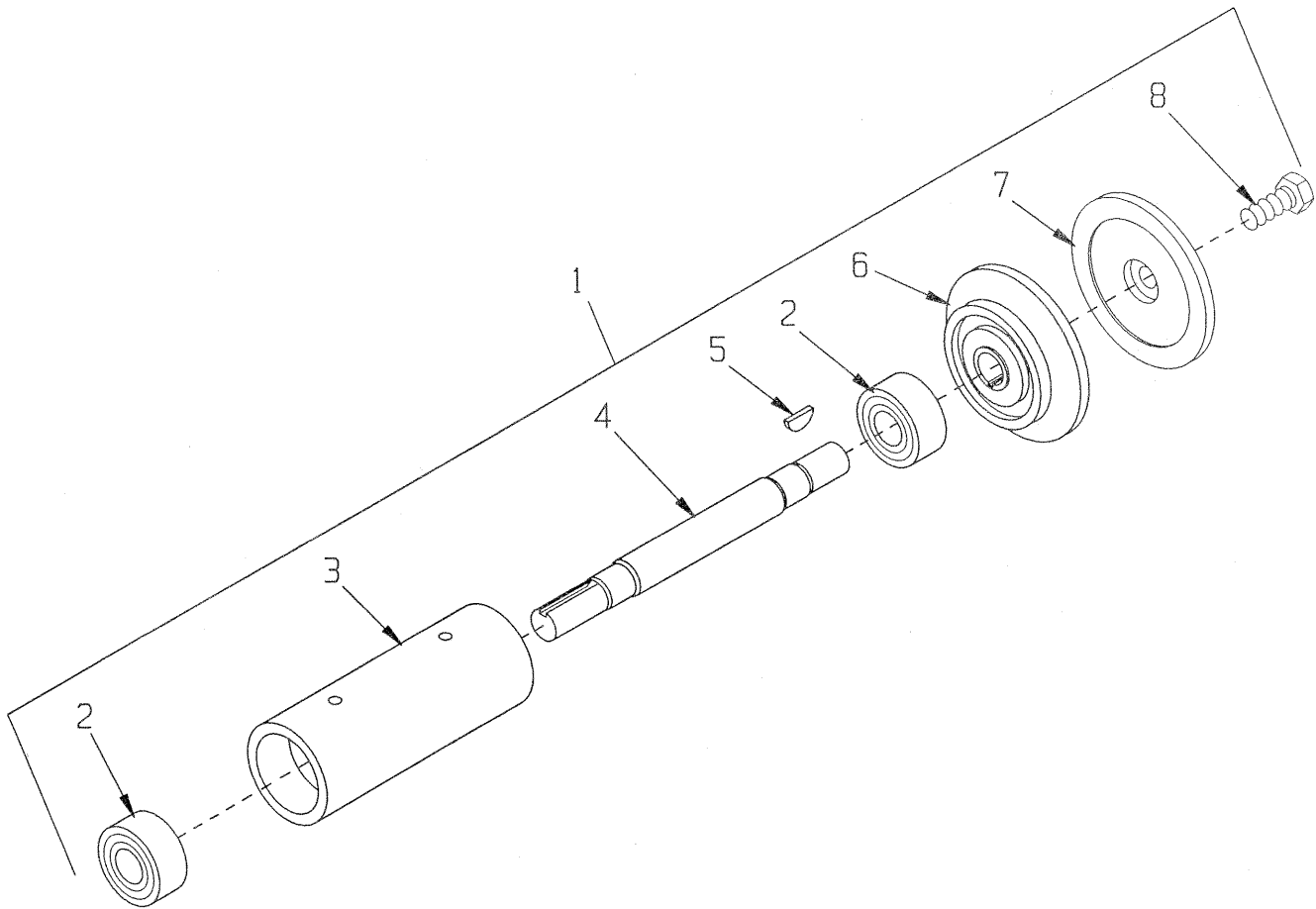


ILLUSTRATION 1: MAIN GROUPING

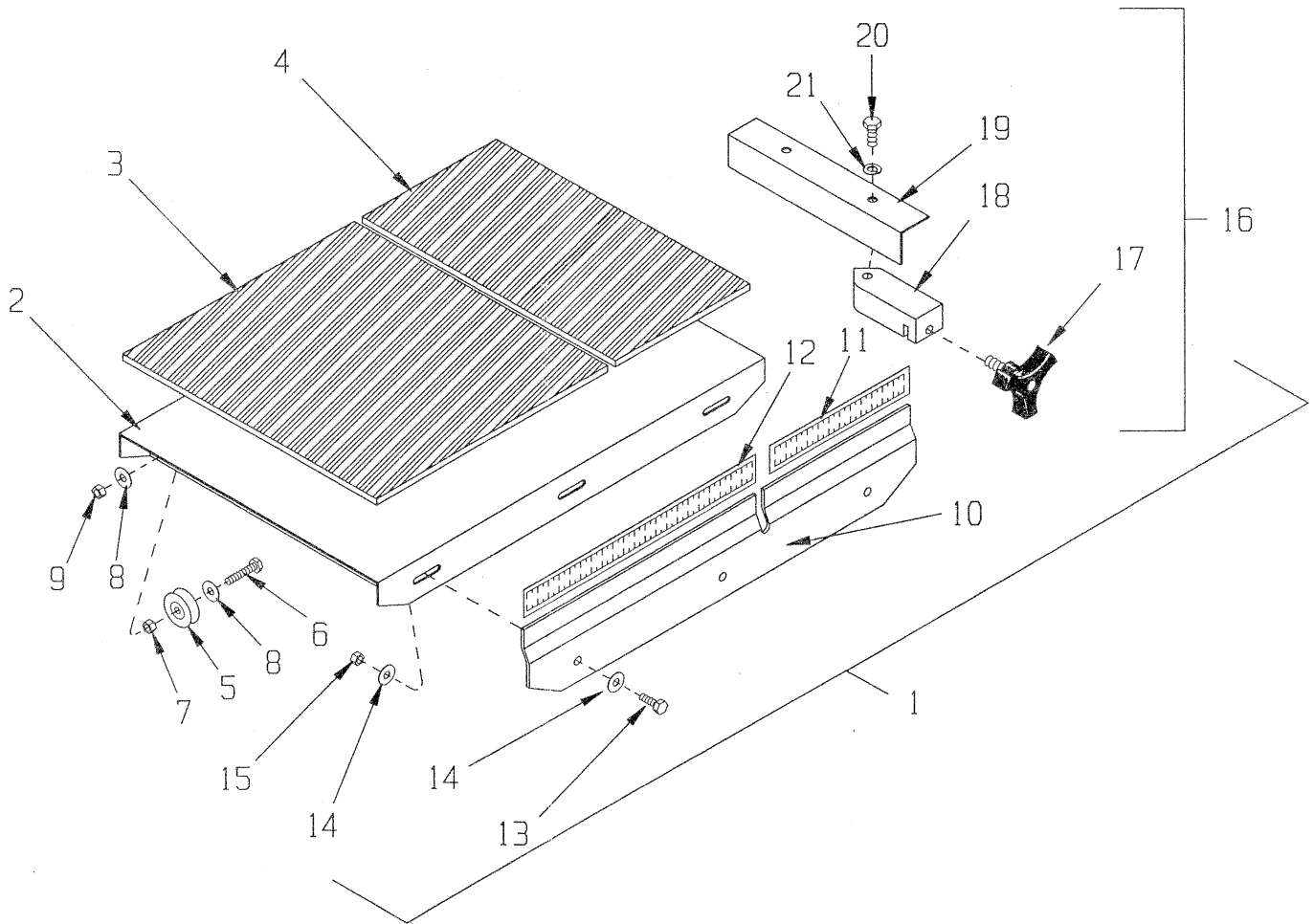
Item #	Part #	Description	Qty.
1	40350	Pan Assembly w/Deck	1
2	40378	Stopper 1-1/2"	1
3	40055	Rolling Table Assembly Complete See Illus. 3 For Break-Down	1
4	41041	Spring, Ext. 1.75"O.D. x 8"L	1
5	40316	Cable, Safety, 22" LOA	1
6	10392	Bolt, Tap 1/2-13 x 4" (Full Thd.)	1
7	10417	Nut 1/2-13	1
8	10407	Nut, Lock 1/2-13	1
9	65017	Screw, Cap 1/2-20 x 5 (Plated)	1
10	10312	Washer, Flat 1/2	2
11	40312	Spacer, Steel 1/2"I.D. x 1-1/8"	1
12	10205	Nut, Lock 1/2-20	1
13	40361	Plate, Pivot Lock	1
14	10004	Nut, Lock 3/8-24	1
15	10029	Screw, Cap 3/8-24 x 1-3/4	1
16	10340	Bolt, Tap 1/2-13 x 3 (Full Thd.)	1
17	10312	Washer, Flat 1/2	5
18	79035	Bushing, Rubber 5/8"I.D. x 1/4"Thk.	1
19	40358	Nut, Tail 1/2-13	1
20	10417	Nut 1/2-13	2
21	10045	Washer, Lock 1/2	1
22	40355	Cover, Belt	1
23	10053	Screw, Cap 5/16-18 x 3/4	1
24	10213	Washer, Flat 5/16	2
25	10807	Nut, Lock 5/16-18	1
26	40354	Cover End Cap, Belt	1
27	10053	Screw, Cap 5/16-18 x 3/4	1
28	10213	Washer, Flat 5/16	1
29	10801	Washer, Lock 5/16	1
30	10054	Nut 5/16-18	1
31	10602	Washer, Flat 1/4	2
32	10015	Nut, Lock 1/4-20	2
33	40356	Bracket, Belt Cover	1
34	10053	Screw, Cap 5/16-18 x 3/4	2
35	10213	Washer, Flat 5/16	2
36	10807	Nut, Lock 5/16-18	2
37	40363	Main Deck	1
38	61108	Grip, Hand 1" Model SX	1
39	40056	Arbor Assembly Complete See Illus. 2 For Break-Down	1
40	10048	Screw, Cap 5/16-24 x 3/4	4
41	10801	Washer, Lock 5/16	4
42	10213	Washer, Flat 5/16	2
43		Curtain 15" x 25"	1
	40375	With Logo	
	40375A	Without Logo	
44	40376	Hook, Curtain	3
45	40377	Curtain Rod 1/2"Dia. x 13"L	1
46	40048	Latch, Belt Cover	1
47	10053	Screw, Cap 5/16-18 x 3/4	1
48	10213	Washer, Flat 5/16	2
49	10807	Nut, Lock 5/16-18	1

ILLUSTRATION 2: ARBOR ASSEMBLY GROUPING



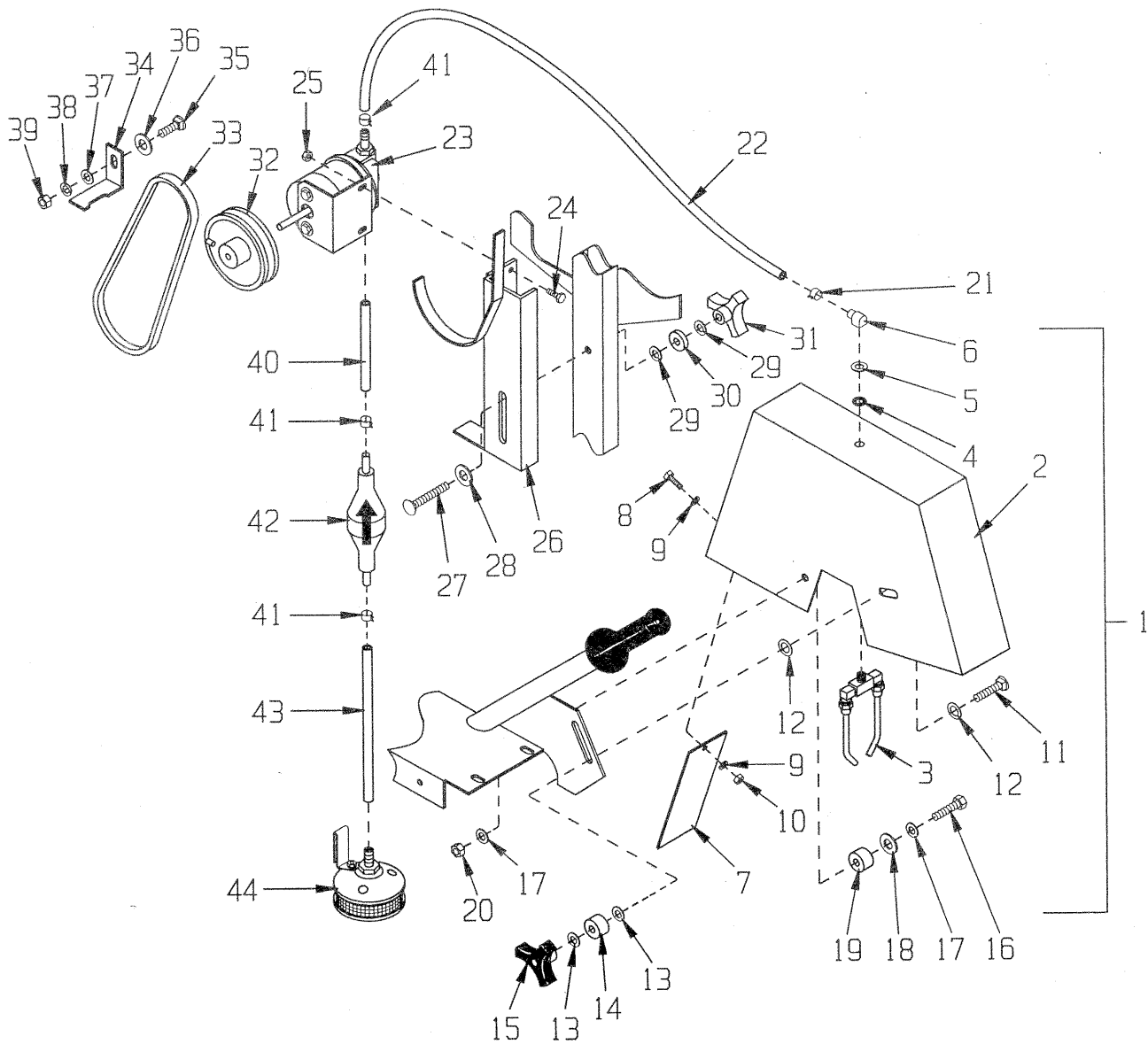
Item #	Part #	Description	Qty.
1	40056	Arbor Assembly Complete (Includes Items 2 thru 9)	
2	40018	Bearing, Radial Ball 20 x 47 x 20.6 mm	2
3	40020	Arbor, Housing	1
4	40021	Arbor, Shaft 8-7/8"L	1
5	40036	Key, Woodruff 1/8 x 3/8	1
6	40022	Arbor, Backing Plate	1
7	40023	Arbor, Blade Retaining Cap	1
8	10321	Screw, Cap 1/2-20 x 1-1/4	1

ILLUSTRATION 3: ROLLING TABLE ASSEMBLY GROUPING



Item #	Part #	Description	Qty.
1	40055	Rolling Table Assembly Complete (Includes Items 2 thru 21)	
2	40404	Table, Rolling	1
3	40405	Pad 11-5/8 x 10-3/4 x 1/4	1
4	40406	Pad 11-5/8 x 6-1/4 x 1/4	1
5	14082	Track Wheel (Pulley Brg.) 1-1/4" Dia.	4
6	10905	Screw, Cap 1/4-20 x 1-1/4	4
7	10013	Nut 1/4-20	4
8	10602	Washer, Flat 1/4	8
9	10861	Nut, Keps 1/4-20	4
10	40403	Front Panel, Table	1
11	40424	Rule, Adhesive Backed, 1 thru 7, L to R	1
12	40423	Rule, Adhesive-Backed, 1 thru 13, R to L	1
13	10018	Screw, Cap 1/4-20 x 3/4	3
14	10602	Washer, Flat 1/4	6
15	10861	Nut, Keps 1/4-20	3
16	40069	Cut Guide Assembly Complete (Includes Items 17 thru 21)	
17	40425	Knob, 3-Prong w/ 3/8-16 x 5/8 Stud	1
18	42015	Block, Cut Guide	1
19	40058	Bracket, Cut Guide	1
20	10053	Screw, Cap 5/16-18 x 3/4	1
21	10801	Washer, Lock 5/16	1

ILLUSTRATION 4: WATER PUMP & BLADE GUARD GROUPING



PARTS LISTING - ILLUSTRATION 4:
WATER PUMP & BLADE GUARD GROUPING

Item #	Part #	Description	Qty.
1	40013A	Blade Guard Assembly Complete (Includes Items 2 thru 10)	1
2	40013	Guard, Blade 14"	1
3	81004	Nozzle, Coolant, Male 1/8 NPT	1
4	10936	Washer, Nylon .437"ID x .629"OD x .050"T	1
5	40309	Washer, Alum. .437"ID x .628"OD x .063"T	1
6	40015	Elbow, Street 1/8 NPT x 90° (Brass)	1
7	40012	Flap, Splash 2-1/2 x 7	1
8	10018	Screw, Cap 1/4-20 x 3/4	1
9	10602	Washer, Flat 1/4	2
10	10015	Nut, Lock 1/4-20	1
11	10087	Bolt, Carriage 3/8-16 x 1-3/4	1
12	10040	Washer, Garret 1"OD x 17/32"ID x .054"T	2
13	10025	Washer, Flat 3/8	2
14	10034	Bushing, Rubber 1"OD x 3/8"ID x 5/8"T	1
15	80011	Knob, Star 3/8-16	1
16	10816	Screw, Cap 3/8-24 x 1-1/2	1
17	10025	Washer, Flat 3/8	2
18	10312	Washer, Flat 1/2	1
19	10034	Bushing, Rubber 1"OD x 3/8"ID x 5/8"T	1
20	10004	Nut, Lock 3/8-24	1
21	10763	Clamp, Hose Spring-Type 7/16"	1
22	40369	Hose 5/16"ID x 24"L	1
23	40393	Pump Assembly, Water SELECT HERE FOR BREAKDOWN (Parts Break-Down is Available)	1
24	10834	Screw, Cap 1/4-20 x 1/2	2
25	10015	Nut, Lock 1/4-20	2
26	40396	Mount, Water Pump	1
27	10335	Bolt, Carriage 3/8-16 x 2-1/2 Full Thd.	1
28	10312	Washer, Flat 1/2	1
29	10025	Washer, Flat 3/8	2
30	56018	Bushing, Rubber 1-1/8"OD x 3/8"ID x 1/4"	1
31	80011	Knob, Star 3/8-16	1
32	40392	Sheave 4"OD x 1Gr.A x 5/16"Bore w/Set Screw	1
33		Belt (Refer to Name Plate on Machine)	
	10252	AP-26 (5.5 HP Honda or B&S)	1
	10262	AP-28 (9 HP Honda)	1
34	40311	Bracket, Belt Stop	1
35	10802	Bolt, Carriage 3/8-16 x 1	1
36	10312	Washer, Flat 1/2	1
37	10025	Washer, Flat 3/8	1
38	10811	Washer, Lock 3/8	1
39	10404	Nut 3/8-16	1
40	40368	Hose 5/16"ID x 6"L	1
41	10763	Clamp, Hose Spring-Type 7/16"	3
42	40049	Bulb, Primer 5/16"	1
43	40397	Hose 5/16"ID x 9"L	1
44	40301	Filter Assembly, Water SELECT HERE FOR BREAKDOWN	1

ILLUSTRATION 5: ENGINE GROUPING

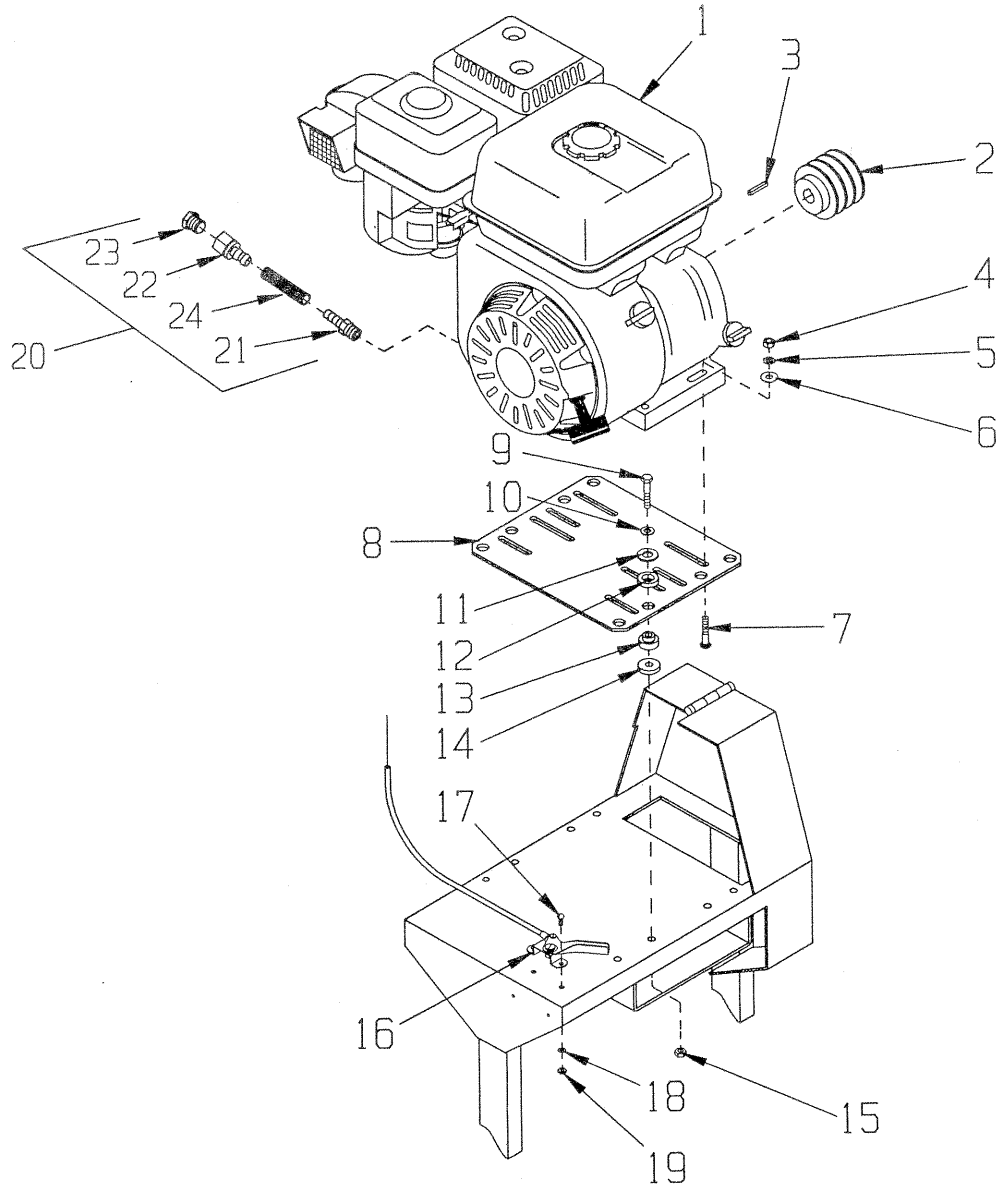
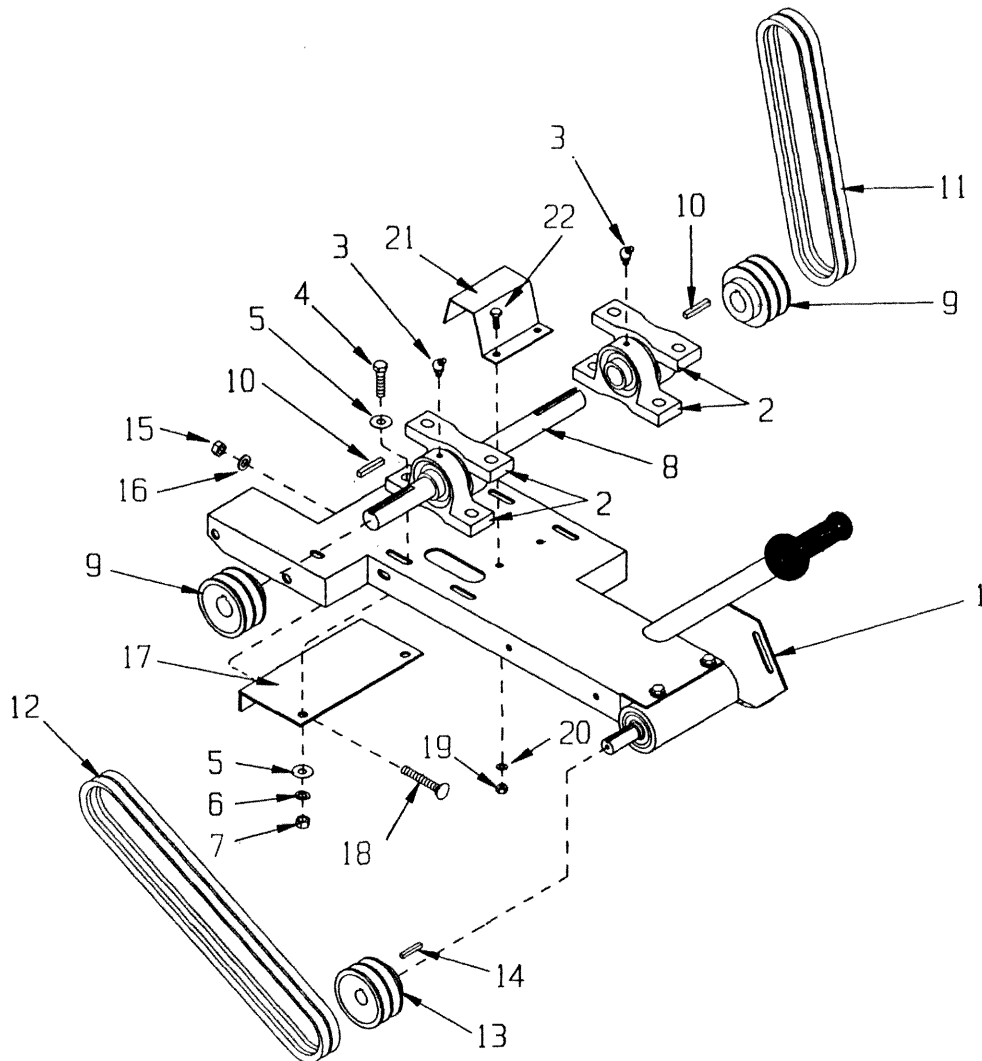


ILLUSTRATION 5 : ENGINE GROUPING

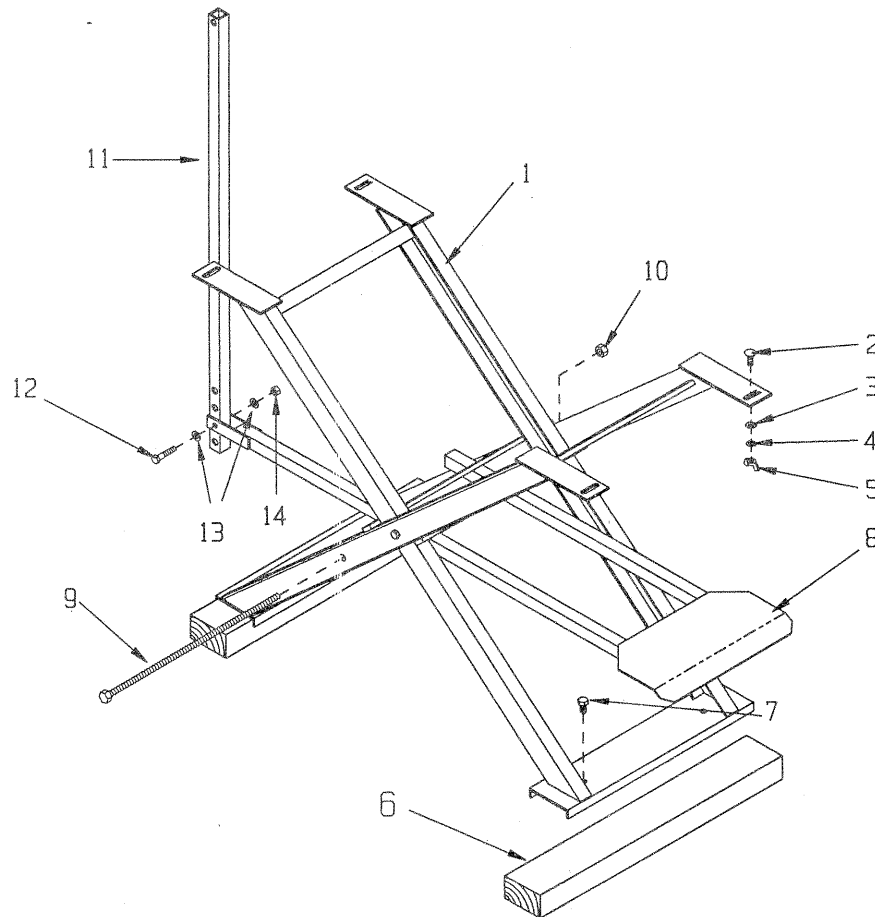
Item #	Part #	Description	Qty.
1		Engine	1
	40387	Honda 5.5 HP GX160 (Shown)	
	15032	Briggs & Stratton 5.5 HP Vanguard	
	15027	Honda 9 HP GX270	
2		Sheave 3"OD x 3Gr.A	1
	81011	3/4" Bore (5.5 HP)	
	80027	1" Bore (9 HP)	
3	10168	Key 3/16" Sq. x 2" L	1
4	10054	Nut 5/16-18	4
5	10801	Washer, Lock 5/16	4
6	10213	Washer, Flat 5/16	4
7	10918	Bolt, Carriage 5/16-18 x 1-3/4	4
8		Mount Plate, Engine	1
	40310	5.5 HP Honda or B & S Vanguard	
	40318	9 HP Honda	
9	10204	Screw, Cap 5/16-18 x 1-3/4	4
10	10213	Washer, Flat 5/16	4
11	10312	Washer, Flat 1/2	4
12	79035	Bushing, Rubber 5/8" ID x 1/4" Thk.	4
13	10225	Bushing, Rubber, Engine Mount	4
14	56018	Bushing, Rubber 3/8" ID x 1/4" Thk.	4
15	10807	Nut, Lock 5/16-18	4
16		Cable, Throttle Control	1
	40388	24" (5.5 HP)	
	3611	54" Cable Cut to 26" (9 HP Honda)	
17	10830	Screw, Machine 10-32 x 1/2	2
18	10455	Washer, Lock Ext. Tooth #10	2
19	10832	Nut 10-32	2
20		Oil Drain Kit	
	40327	5.5 HP Honda	1
	40328	9 HP Honda	1
21		Barb, Push-On	
	11541	3/8 Hose x 10mm x 1.25 Male (5.5 Honda)	1
	11542	3/8 Hose x 12mm x 1.50 Male (9 Honda)	1
22	11544	Barb, Push-On 3/8 Hose x 1/4 FPT	1
23	10776	Pipe Plug 1/4 NPT (Brass)	1
24	56116	Hose, Push-On 3/8" ID x 3" L	1

ILLUSTRATION 6: BELT & DRIVE SHAFT GROUPING



Item #	Part #	Description	Qty.
1	-----	Main Deck (Refer to Illus.1 - Item #37)	1
2	50016	Bearing, Ball 1" Pillow Block	4
3	10960	Fitting, Grease 1/4-28 x 45°	4
4	10816	Screw, Cap 3/8-24 x 1-1/2	8
5	10025	Washer, Flat 3/8	10
6	10811	Washer, Lock 3/8	8
7	10014	Nut 3/8-24	8
8	40357	Shaft, Jack 1" Dia. x 13-1/2"L	1
9	10109	Sheave 3" O.D. x 2Gr.A x 1" Bore	2
10	40317	Key 1/4" Sq. x 1-5/8	2
11		Belt (Refer to Name Plate on Machine)	2
	10252	Belt AP-26 (5.5 HP Honda or B & S)	
	10262	Belt AP-28 (9 HP Honda)	
12	10223	Belt AX-36	2
13	40005	Sheave 3" O.D. x 2Gr.A x 3/4" B.	1
14	10170	Key 3/16" Sq. x 1-3/4	1
15	10404	Nut 3/8-16	1
16	10025	Washer, Flat 3/8	1
17	40359	Plate, Tension Adjustment	1
18	10335	Bolt, Carriage 3/8-16 x 2-1/2 (Full Thd.)	1
19	10013	Nut 1/4-20	2
20	10038	Washer, Lock 1/4	2
21	40365	Guard, Jack Shaft	1
22	10018	Screw, Cap 1/4-20 x 3/4	2

ILLUSTRATION 7 :
 OPTIONAL STAND & FOOT PEDAL
 ASSEMBLY GROUPING



MODEL STM FOLDING PORTABLE STAND - PART #21800
 (Includes Items 1 thru 7)

MODEL GK-STM FOOT PEDAL KIT - PART #40380
 (Includes Items 8 thru 14)

Item #	Part #	Description	Qty.
1	40371	Stand	1
2	10802	Bolt, Carriage 3/8-16 x 1	4
3	10025	Washer, Flat 3/8	4
4	10811	Washer, Lock 3/8	4
5	10903	Nut, Wing 3/8-16	4
6	21801	Skid Board 2 x 4 x 24"L	2
7	10367	Bolt, Lag 3/8 x 1	4
8	40381	Treadle (Foot Pedal)	1
9	40383	Bolt, Allthread Rod 1/2-13 x 17-1/2	1
10	10407	Nut, Lock 1/2-13	1
11	40382	Linkage, Drag	2
12	10029	Screw, Cap 3/8-24 x 1-3/4	1
13	10025	Washer, Flat 3/8	2
14	10004	Nut, Lock 3/8-24	4

LIMITED EQUIPMENT WARRANTY

Equipment Development Company, Inc. herein referred to as EDCO warrants that each new unit manufactured by EDCO to be free from defects in material and workmanship in normal use and service for a period of (1) one year (except in the case of the cutter drum assembly on all model concrete asphalt planes, in which case the warranty period shall be 90 days) from date of shipment to the original retail or equipment rental center owner.

EDCO will, at its option, repair or replace, at the EDCO factory or at a point designated by EDCO any part, which shall appear to the satisfaction of EDCO inspection to have been defective in material or workmanship.

This warranty, does not apply to failure occurring as a result of abuse, misuse, negligent repairs, corrosion, erosion, normal wear and tear, alterations or modifications made to the product without express written consent of EDCO: or failure to follow the recommended operating practices and maintenance procedures as provided in the products operating and maintenance manuals.

This warranty does not obligate EDCO to bear any transportation charges in connection with the replacement or repair of defective parts. This warranty does not obligate EDCO to bear any expense for travel time or of personnel in correction with any service calls.

Accessories or equipment furnished and installed on the product by EDCO but manufactured by others, including but not limited to engines, motors, electrical equipment, transmissions, etc., shall carry the accessory manufacturers' own warranty.

THIS WARRANTY IS IN LIEU OF ALL OTHER WARRANTIES, EXPRESSED OR IMPLIED, OR STATUTORY, INCLUDING ANY WARRANTIES OF MERCHANTABILITY OR OF FITNESS FOR A PARTICULAR PURPOSE.

LIABILITY LIMITATIONS

The remedies of the user set forth under provisions of warranty outlines above are the exclusive and total liability of EDCO with the respect to their sale or the equipment and service furnished hereunder, in connection with the performance or breach thereof, or from the sale, delivery, installation, repair or technical direction covered by or furnished under the sale, whether based on contract, warranty, negligence, indemnity, strict liability, or otherwise shall

not exceed the purchase price of the unit of equipment upon which such liability is based.

EDCO will not in any event be liable to the user, any successors in interest or any beneficiary or assignee relating to this sale for any consequential, incidental, indirect, special or punitive damages arising out of this sale or any breach thereof, or any defects on, or failure of, or malfunction of the equipment under this sale based upon loss of use, lost profits or revenue, interest, lost goodwill, work stoppage, impairment of other goods, loss by reason of shutdown or non-operation, increased expenses of operation of the equipment, cost of purchase or replacement power of claims of users or customers of the user for service interruption whether or not such loss or damage is based on contract, warranty, negligence, indemnity, strict liability, or otherwise.

EDCO reserves the right to modify, alter and improve any part or parts without incurring any obligation to replace any part or parts previously sold without such modified, altered or improved part or parts.

No person is authorized to give any other warranty or to assume any additional obligation on EDCO's behalf unless made in writing and signed by an officer of EDCO.

Equipment Development Company, Inc.

HOW TO ORDER REPAIR PARTS

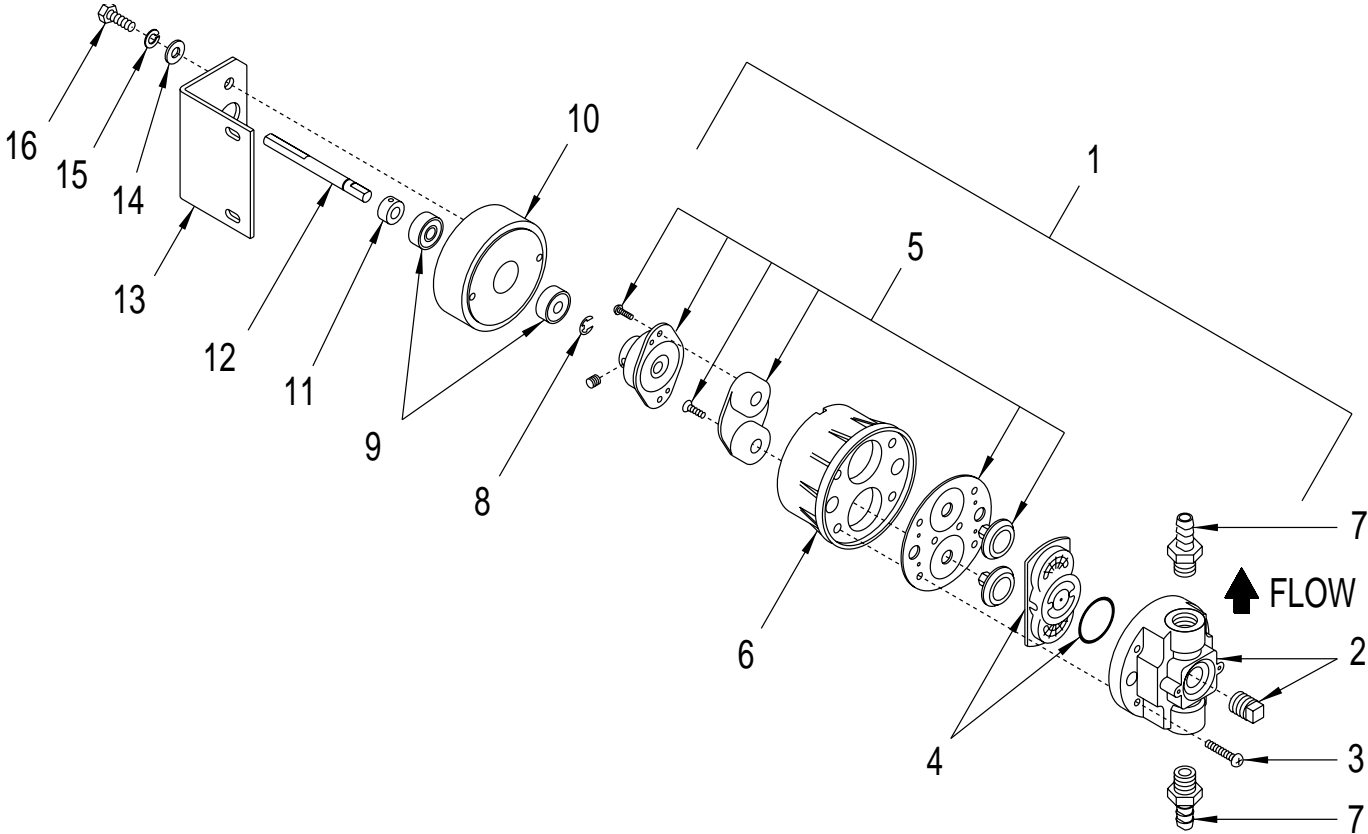
To ensure product safety and reliability, always use genuine EDCO replacement parts when making repairs to the equipment.

When ordering parts, please specify the MODEL and SERIAL NUMBER of the machine as given on the NAME PLATE. In addition, give part number, description and quantity as listed on the parts list.

Please note: Due to improvements and changes in the equipment, the illustrations shown may be different than the actual machine.



WATER PUMP ASSEMBLY
PART # 40393
FOR MODELS GMS-14 & GMS-20



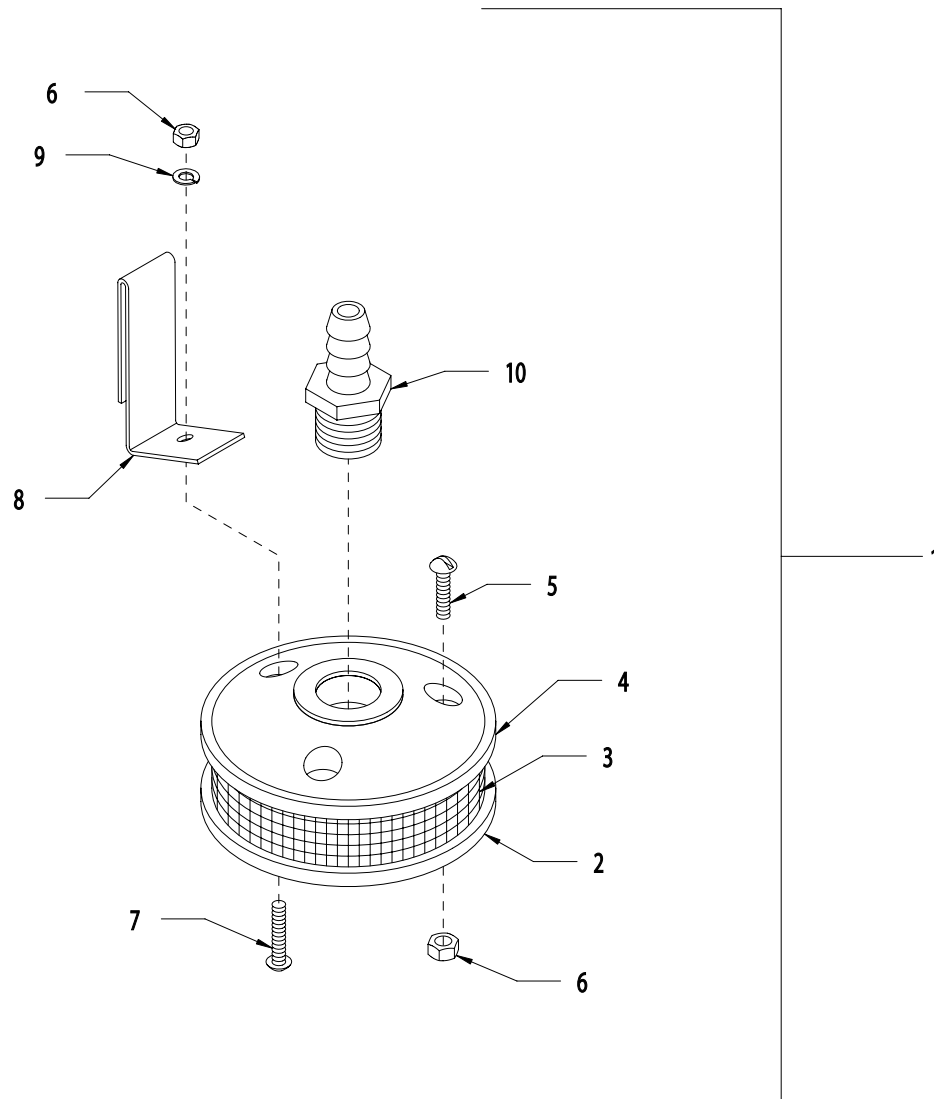
ITEM #	PART #	DESCRIPTION	QTY.
1	56101-S1	PUMP HEAD REPLACEMENT, DUPLEX 21050-653A (INCLUDES ITEMS 2 THRU 7)	1
2	56101-S2	HOUSING BODY 20500-507	1
3	56101-S3	SCREWS 20131-001 (SET OF 6)	1-SET
4	56101-S4	CHECK VALVE KIT 20028-008	1
5	56101-S5	DIAPHRAGM KIT W/ BEARING 21004-401	1
6	56101-S6	HOUSING BEARING COVER 20428-100	1
7	40319	BARB, 5/16 HOSE x 3/8 MPT (PLASTIC)	2
8	10137	RETAINING RING, E-CLIP 5/16"	1
9	40391	BEARING, RADIAL BALL 5/16 x 7/8 x 11/32	2
10	40393-S1	HUB	1
11	10415	COLLAR, LOCKING 5/16" I.D.	1
12	40393-S2	SHAFT 5/16 x 3-3/4	1
13	40393-S3	MOUNT BRACKET	1
14	10602	WASHER, FLAT 1/4	2
15	10038	WASHER, LOCK 1/4	2
16	10018	SCREW, CAP 1/4-20x3/4	2

100 Thomas Johnson Drive, Frederick, MD 21702-4600 USA
 Phone (301) 663-1600 • 1-800-638-3326
 Fax (301) 663-1607 • 1-800-447-3326
 Website: www.edcoinc.com • Email: sales@edcoinc.com

Printed in USA
 ©2002



**WATER FILTER ASSEMBLY
FOR GMS MODELS
PART # 40301**



ITEM #	PART#	DESCRIPTION	QTY.
1	40301	FILTERASSEMBLY, WATER (ITEMS 2-11)	1
2	40302A	FILTERHOUSING BOTTOM	1
3	40303	SCREEN, WATERFILTER	1
4	40302B	FILTERHOUSING TOP	1
5	40315	SCREW, MACHINE 10-24x1-1/2 (S.S.)	2
6	40308	NUT 10-24 (S.S.)	3
7	40306	SCREW, MACHINE 10-24x1-3/4 (S.S.)	1
8	40305	HANGER CLIP, WATER FILTER	1
9	40307	WASHER, LOCK #10 (S.S.)	1
10	40304	BARB, 3/8 HOSE x 1/2 MPT (PLASTIC)	1



100 Thomas Johnson Drive, Frederick, MD 21702-4600 USA
 Phone (301) 663-1600 • 1-800-638-3326
 Fax (301) 663-1607 • 1-800-447-3326
 Website: www.edcoinc.com • Email: sales@edcoinc.com

Printed in USA
 ©2003

3/4" HEX, ARBOR WRENCH KIT - PART NO. 53021K

Can be used on all EDCO MASONRY or
HARDSCAPE saws except model GMS-10

Use on Model:

MS-14
GMS-14
GMS-14A
HSS-14
MS-20
GMS-20

3/4" HEX
Arbor Wrench
P/N 53021



Wrench Bracket
P/N 53029



1/4-20 x 1/2"
Self-Tapping Screws
P/N 10846

Tools Required:
7/32" HSS Drill Bit and Drill
3/8" Nut Driver or Socket w/ratchet
Hammer and center punch

