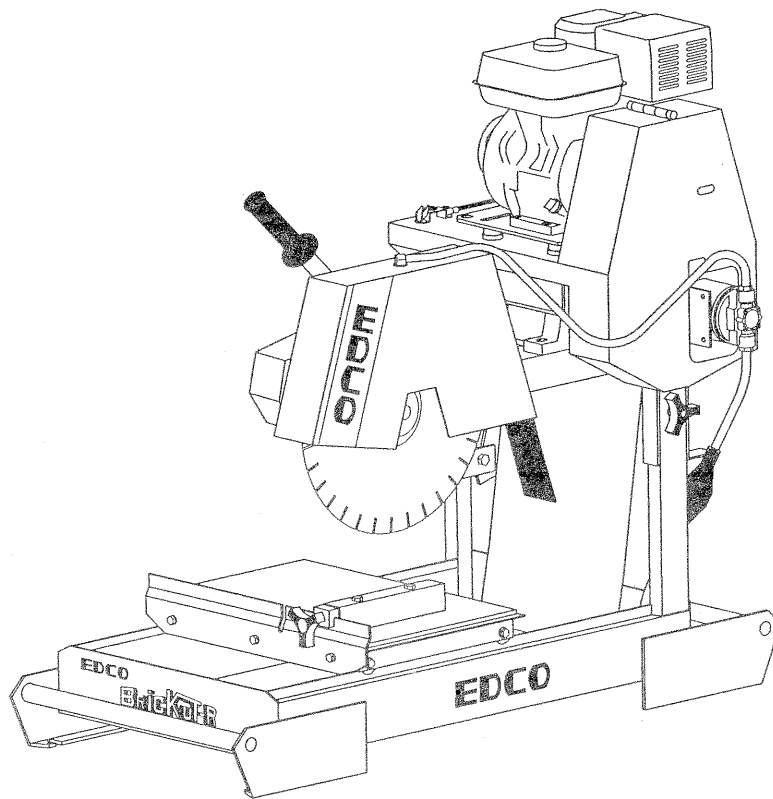


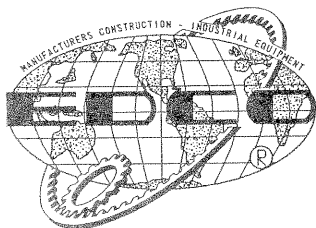
REVISED JUNE 1995
STARTING SERIAL NO. 15182

14" GASOLINE POWERED MASONRY SAW

PARTS MANUAL



Model GMS-14



EQUIPMENT DEVELOPMENT COMPANY, INC.

100 THOMAS JOHNSON DRIVE, FREDERICK, MARYLAND 21702-4305 USA

PHONE (301)663-1600

TOLL FREE 1-800-638-3326

FAX (301)663-1607

FAX FREE 1-800-447-3326

ILLUSTRATION 1: MAIN GROUPING

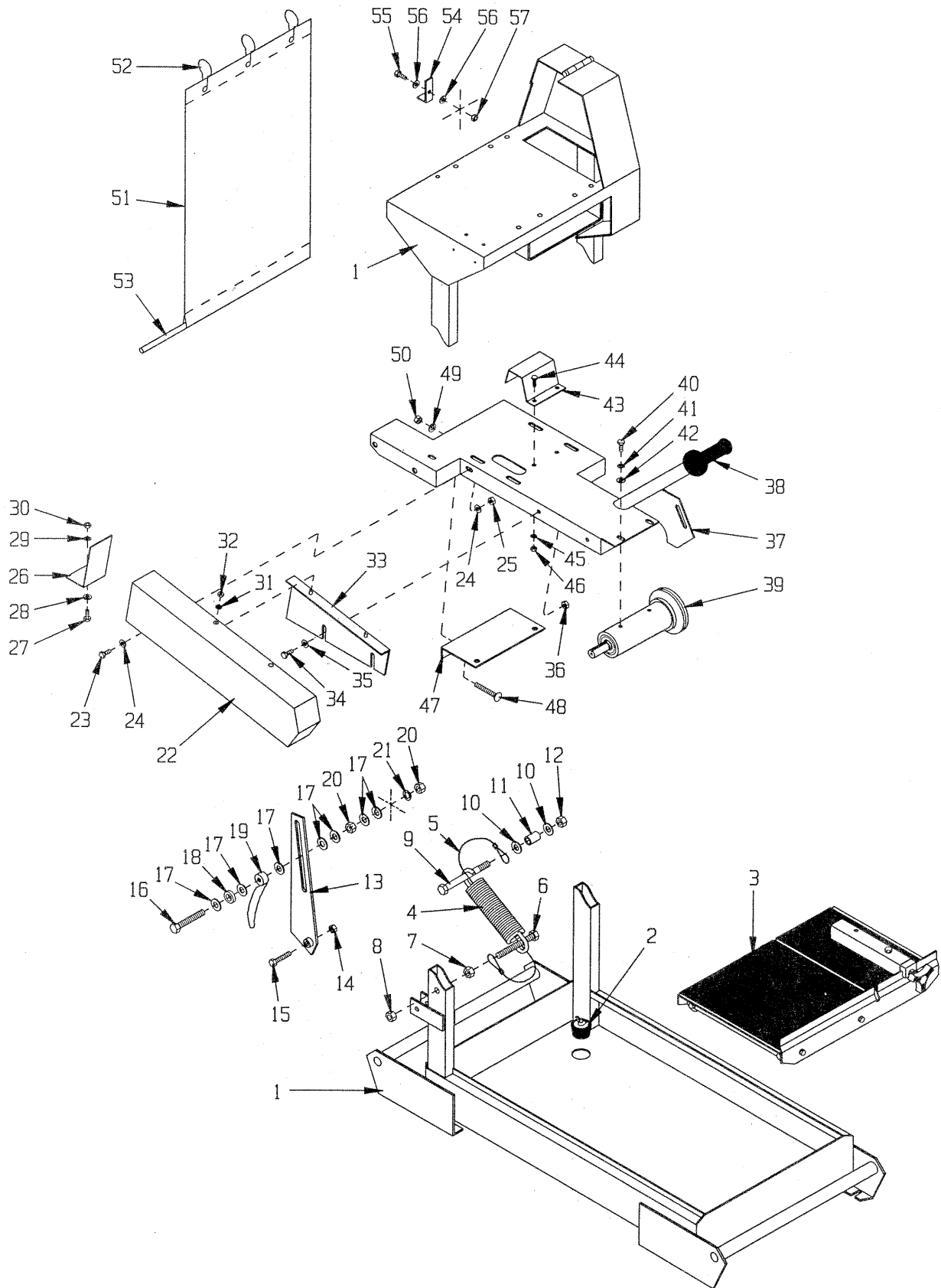
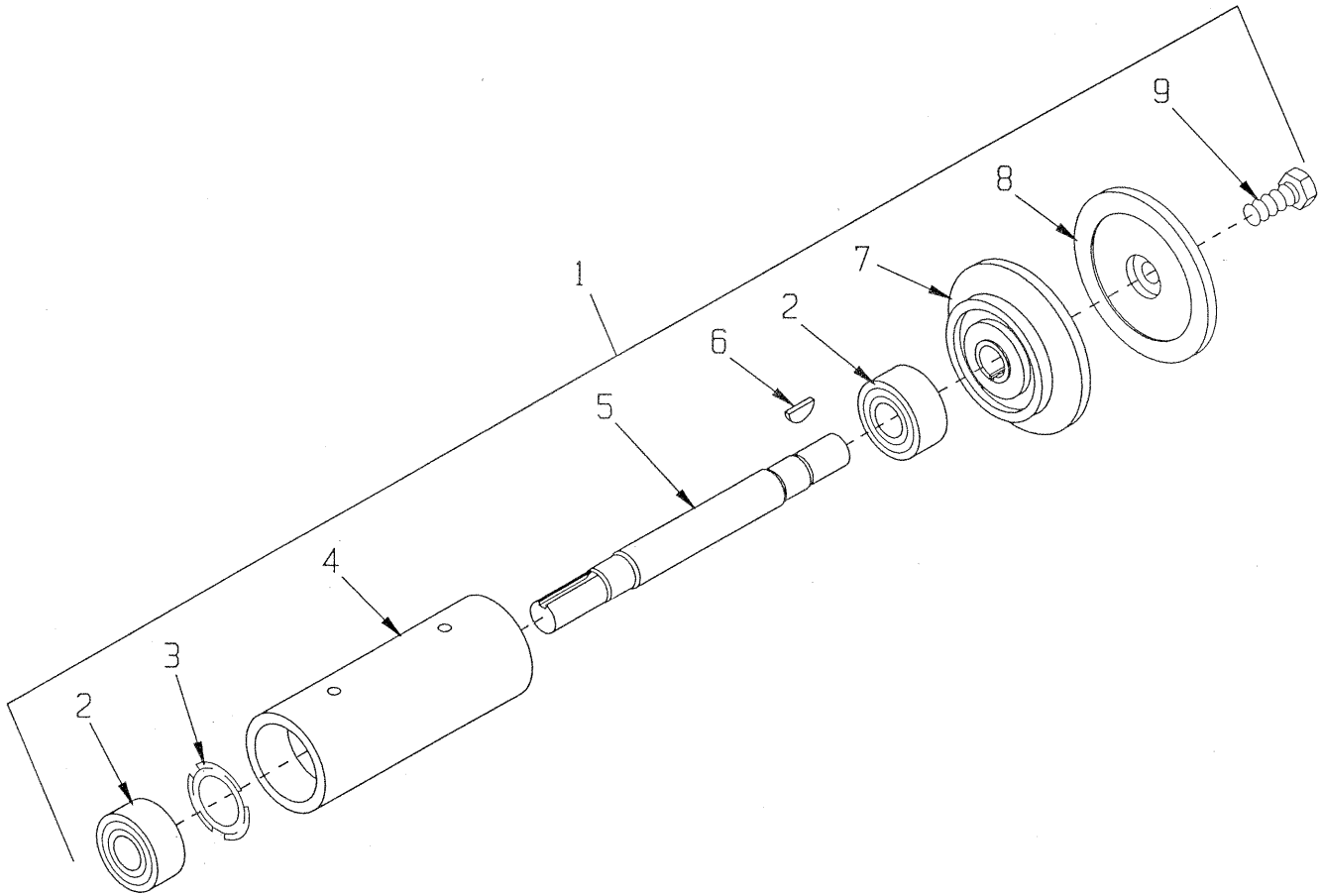


ILLUSTRATION 1: MAIN GROUPING

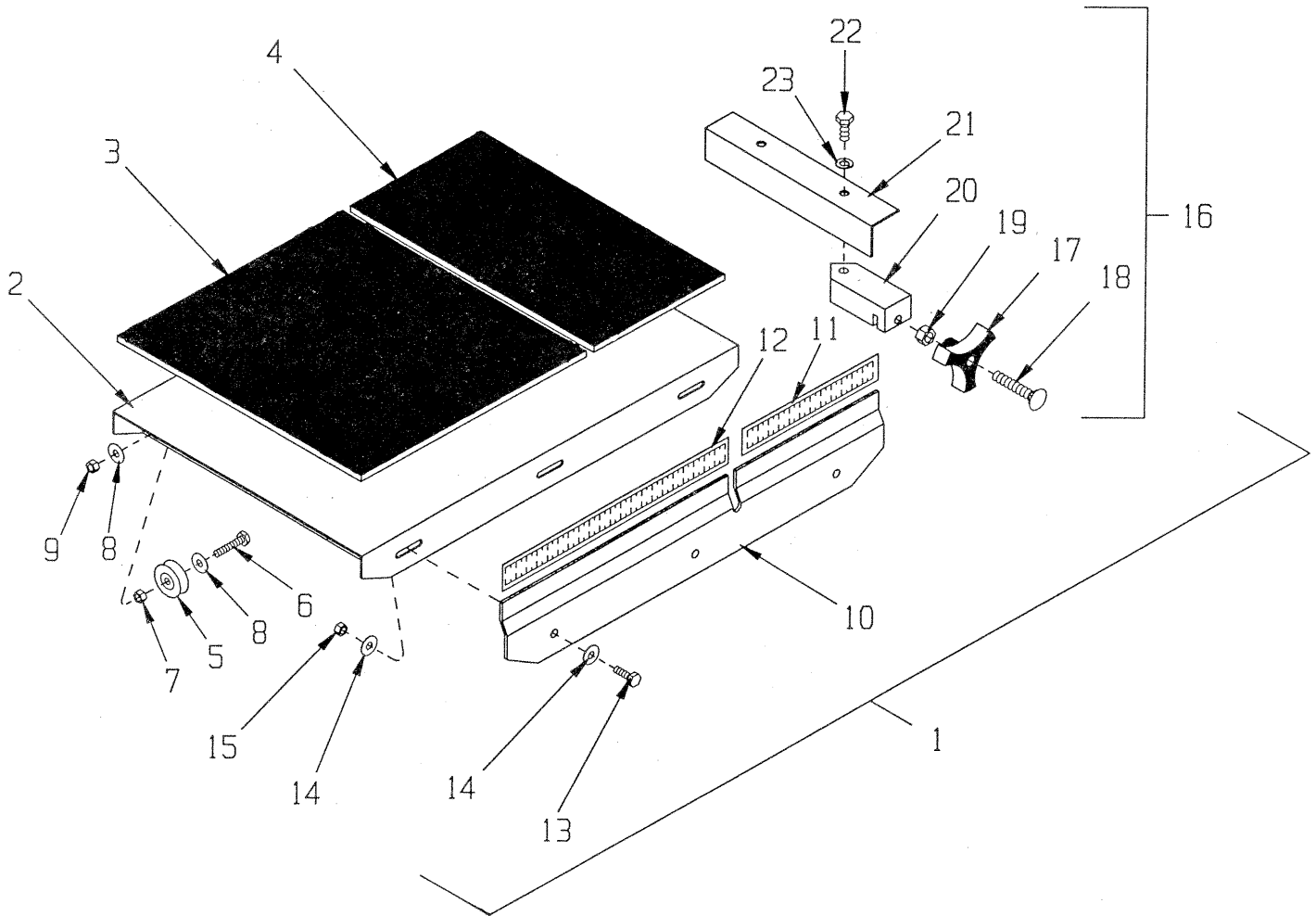
Item #	Part #	Description	Qty.
1	40350	Pan Assembly w/Deck	1
2	40378	Stopper 1-1/2"	1
3	40055	Rolling Table Assembly Complete See Illus. 3 For Break-Down	1
4	41041	Spring, Ext. 1.75"O.D. x 8"L	1
5	40316	Cable, Safety	1
6	10392	Bolt, Tap 1/2-13 x 3 (Full Thd.)	1
7	10417	Nut 1/2-13	1
8	10407	Nut, Lock 1/2-13	1
9	65017	Screw, Cap 1/2-20 x 5 (Plated)	1
10	10312	Washer, Flat 1/2	2
11	40312	Spacer, Steel 1/2"I.D. x 1-1/8"	1
12	10154	Nut, Nylon Lock 1/2-20	1
13	40361	Plate, Pivot Lock	1
14	10004	Nut, Lock 3/8-24	1
15	10029	Screw, Cap 3/8-24 x 1-3/4	1
16	10340	Bolt, Tap 1/2-13 x 3 (Full Thd.)	1
17	10312	Washer, Flat 1/2	7
18	79035	Bushing, Rubber 5/8"I.D. x 1/4"Thk.	1
19	40358	Nut, Tail 1/2-13	1
20	10417	Nut 1/2-13	2
21	10045	Washer, Lock 1/2	1
22	40355	Cover, Belt	1
23	10053	Screw, Cap 5/16-18 x 3/4	1
24	10213	Washer, Flat 5/16	2
25	10807	Nut, Lock 5/16-18	1
26	40354	Cover End Cap, Belt	1
27	10053	Screw, Cap 5/16-18 x 3/4	1
28	10213	Washer, Flat 5/16	1
29	10801	Washer, Lock 5/16	1
30	10054	Nut 5/16-18	1
31	10602	Washer, Flat 1/4	2
32	10015	Nut, Lock 1/4-20	2
33	40356	Bracket, Belt Cover	1
34	10053	Screw, Cap 5/16-18 x 3/4	2
35	10213	Washer, Flat 5/16	2
36	10807	Nut, Lock 5/16-18	2
37	40363	Main Deck	1
38	61108	Grip, Hand 1" Model SX	1
39	40056	Arbor Assembly Complete See Illus. 2 For Break-Down	1
40	10048	Screw, Cap 5/16-24 x 3/4	4
41	10801	Washer, Lock 5/16	4
42	10213	Washer, Flat 5/16	4
43	40365	Guard, Drive Jackshaft	1
44	10018	Screw, Cap 1/4-20 x 3/4	2
45	10038	Washer, Lock 1/4	2
46	10013	Nut 1/4-20	2
47	40359	Plate, Tension Adjustment	1
48	10335	Bolt, Carr. 3/8-16 x 2-1/2 (Full Thd.)	1
49	10025	Washer, Flat 3/8	1
50	10404	Nut 3/8-16	1
51		Curtain 15" x 25"	1
	40375	With Logo	
	40375A	Without Logo	
52	40376	Hook, Curtain	3
53	40377	Curtain Rod 1/2"Dia. x 13"L	1
54	40048	Latch, Belt Cover	1
55	10053	Screw, Cap 5/16-18 x 3/4	1
56	10213	Washer, Flat 5/16	2
57	10807	Nut, Lock 5/16-18	1

ILLUSTRATION 2: ARBOR ASSEMBLY GROUPING



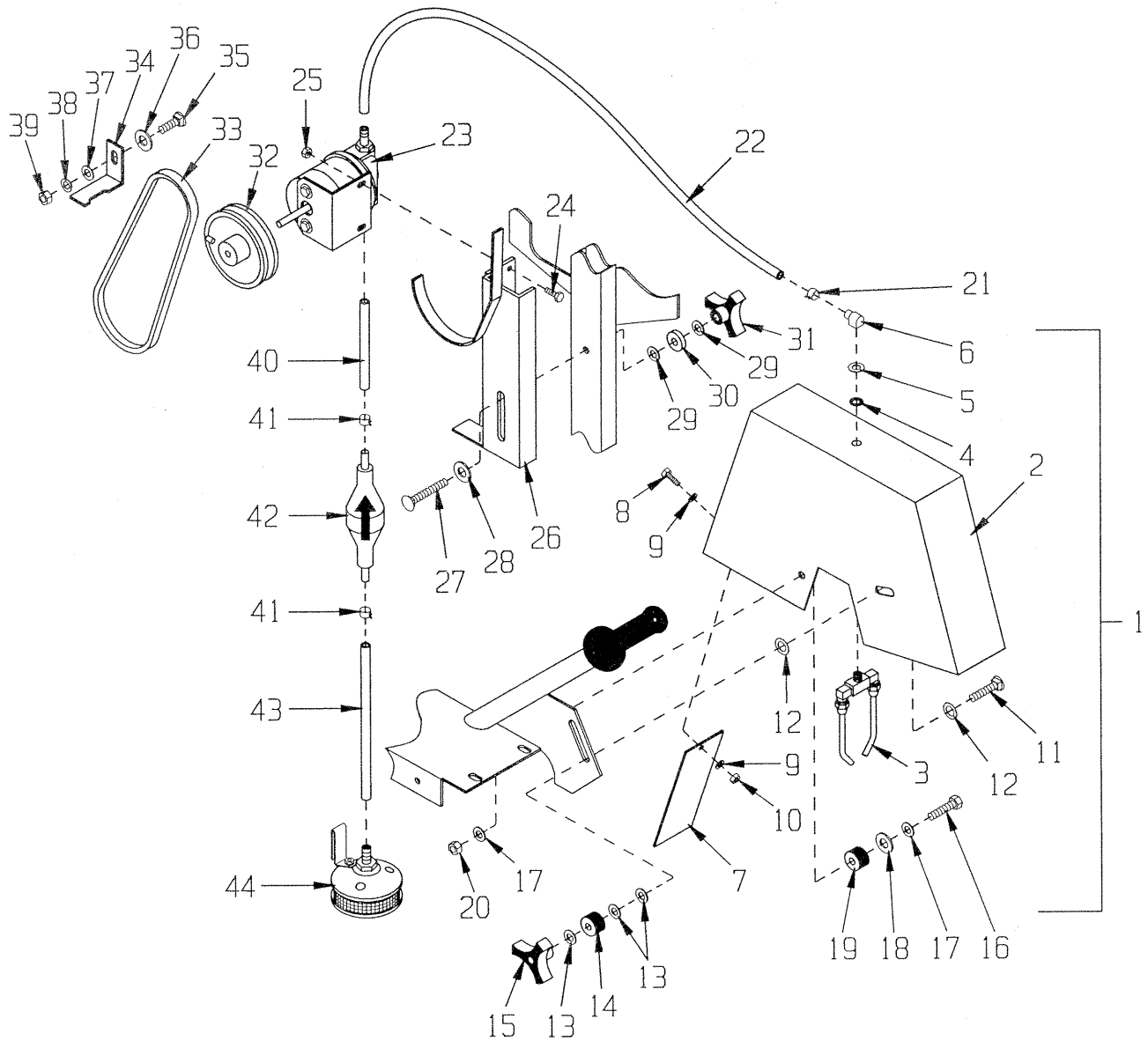
Item #	Part #	Description	Qty.
1	40056	Arbor Assembly Complete (Includes Items 2 thru 9)	
2	40018	Bearing, Radial Ball 20 x 47 x 20.6 mm	2
3	40019	Washer, Finger Spring 1.83"OD x 1.189"ID	1
4	40020	Arbor, Housing	1
5	40021	Arbor, Shaft 8-7/8"L	1
6	40036	Key, Woodruff 1/8 x 3/8	1
7	40022	Arbor, Backing Plate	1
8	40023	Arbor, Blade Retaining Cap	1
9	10321	Screw, Cap 1/2-20 x 1-1/4	1

ILLUSTRATION 3: ROLLING TABLE ASSEMBLY GROUPING



Item #	Part #	Description	Qty.
1	40055	Rolling Table Assembly Complete (Includes Items 2 thru 23)	
2	40404	Table, Rolling	1
3	40405	Pad 11-5/8 x 10-3/4 x 1/4	1
4	40406	Pad 11-5/8 x 6-1/4 x 1/4	1
5	14082	Track Wheel (Pulley Brg.) 1-1/4" Dia.	4
6	10905	Screw, Cap 1/4-20 x 1-1/4	4
7	10013	Nut 1/4-20	4
8	10602	Washer, Flat 1/4	8
9	10861	Nut, Keps 1/4-20	4
10	40403	Front Panel, Table	1
11	40424	Rule, Adhesive Backed, 1 thru 7, L to R	1
12	40423	Rule, Adhesive-Backed, 1 thru 13, R to L	1
13	10018	Screw, Cap 1/4-20 x 3/4	3
14	10602	Washer, Flat 1/4	6
15	10861	Nut, Keps 1/4-20	3
16	40069	Cut Guide Assembly Complete (Includes Items 17 thru 23)	
17	80011	Knob, Star 3/8-16	1
18	10364	Bolt, Carriage 3/8-16 x 2 (Full Thd.)	1
19	10404	Nut 3/8-16	1
20	42015	Block, Cut Guide	1
21	40058	Bracket, Cut Guide	1
22	10053	Screw, Cap 5/16-18 x 3/4	1
23	10801	Washer, Lock 5/16	1

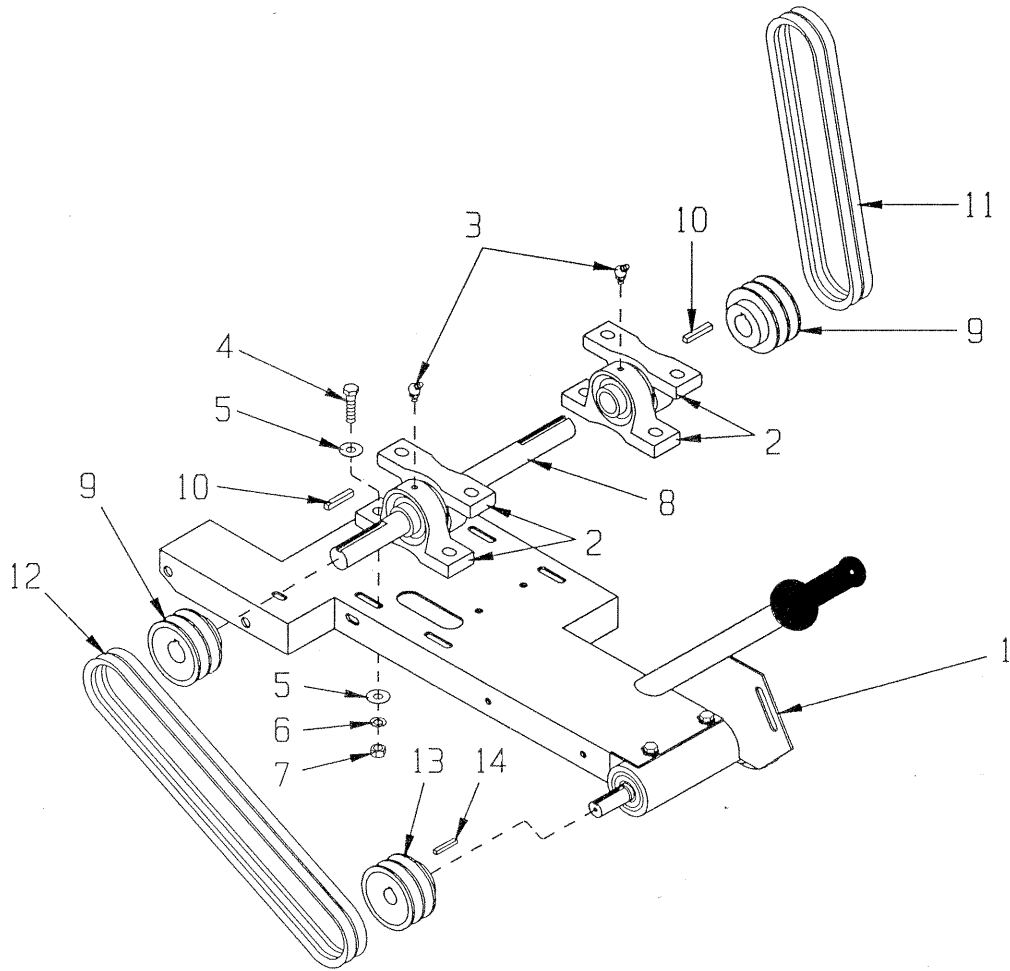
ILLUSTRATION 4: WATER PUMP & BLADE GUARD GROUPING



PARTS LISTING - ILLUSTRATION 4;
WATER PUMP & BLADE GUARD GROUPING

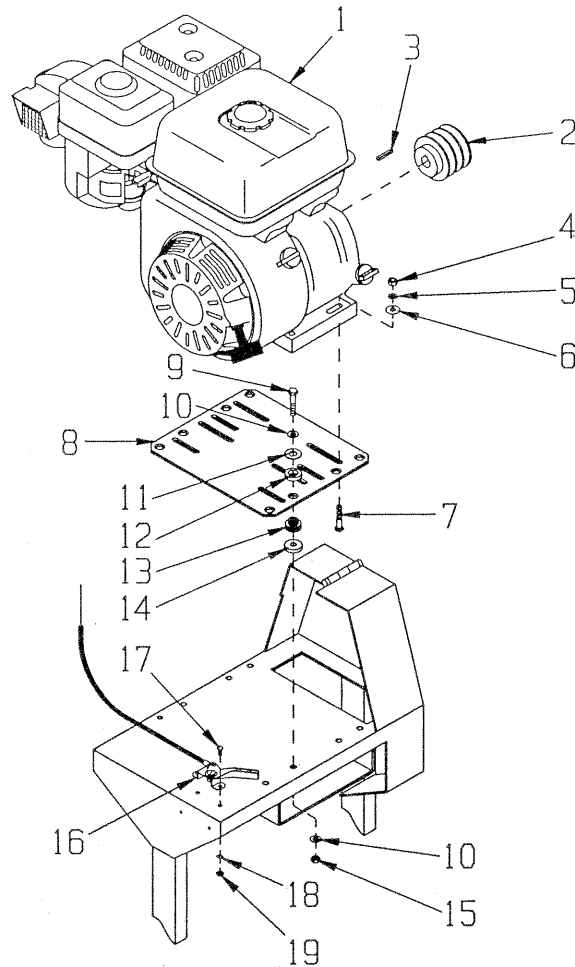
Item #	Part #	Description	Qty.
1	40013A	Blade Guard Assembly Complete (Includes Items 2 thru 10)	1
2	40013	Guard, Blade 14"	1
3	81004	Nozzle, Coolant, Male 1/8 NPT	1
4	10936	Washer, Nylon .437"ID x .629"OD x .050"T	1
5	40309	Washer, Alum. .437"ID x .628"OD x .063"T	1
6	40015	Elbow, Street 1/8 NPT x 90° (Brass)	1
7	40012	Flap, Splash 2-1/2 x 7	1
8	10018	Screw, Cap 1/4-20 x 3/4	1
9	10602	Washer, Flat 1/4	2
10	10015	Nut, Lock 1/4-20	1
11	10087	Bolt, Carriage 3/8-16 x 1-3/4	1
12	10040	Washer, Garret 1"OD x 17/32"ID x .054"T	2
13	10025	Washer, Flat 3/8	3
14	10034	Bushing, Rubber 1"OD x 3/8"ID x 5/8"T	1
15	80011	Knob, Star 3/8-16	1
16	10816	Screw, Cap 3/8-24 x 1-1/2	1
17	10025	Washer, Flat 3/8	2
18	10312	Washer, Flat 1/2	1
19	10034	Bushing, Rubber 1"OD x 3/8"ID x 5/8"T	1
20	10004	Nut, Lock 3/8-24	1
21	10762	Clamp, Hose Spring-Type 3/8"	1
22	40369	Hose 5/16"ID x 24"L	1
23	40393	Pump Assembly, Water (Parts Break-Down is Available)	1
24	10834	Screw, Cap 1/4-20 x 1/2	2
25	10015	Nut, Lock 1/4-20	2
26	40396	Mount, Water Pump	1
27	10335	Bolt, Carriage 3/8-16 x 2-1/2 Full Thd.	1
28	10312	Washer, Flat 1/2	1
29	10025	Washer, Flat 3/8	2
30	56018	Bushing, Rubber 1-1/8"OD x 3/8"ID x 1/4"	1
31	80011	Knob, Star 3/8-16	1
32	40392	Sheave 4"OD x 1Gr.A x 5/16"Bore w/Set Screw	1
33		Belt (Refer to Name Plate on Machine)	
	10252	4L-285 (5.5 HP Honda or B & S)	1
	10259	AP-29 (9 HP Honda)	1
34	40311	Bracket, Belt Stop	1
35	10802	Bolt, Carriage 3/8-16 x 1	1
36	10312	Washer, Flat 1/2	1
37	10025	Washer, Flat 3/8	1
38	10811	Washer, Lock 3/8	1
39	10404	Nut 3/8-16	1
40	40368	Hose 5/16"ID x 6"L	1
41	10762	Clamp, Hose Spring-Type 3/8"	2
42	40049	Bulb, Primer 5/16"	1
43	40397	Hose 5/16"ID x 9"L	1
44	40301	Filter Assembly, Water	1

ILLUSTRATION 5: BELT & DRIVE SHAFT GROUPING



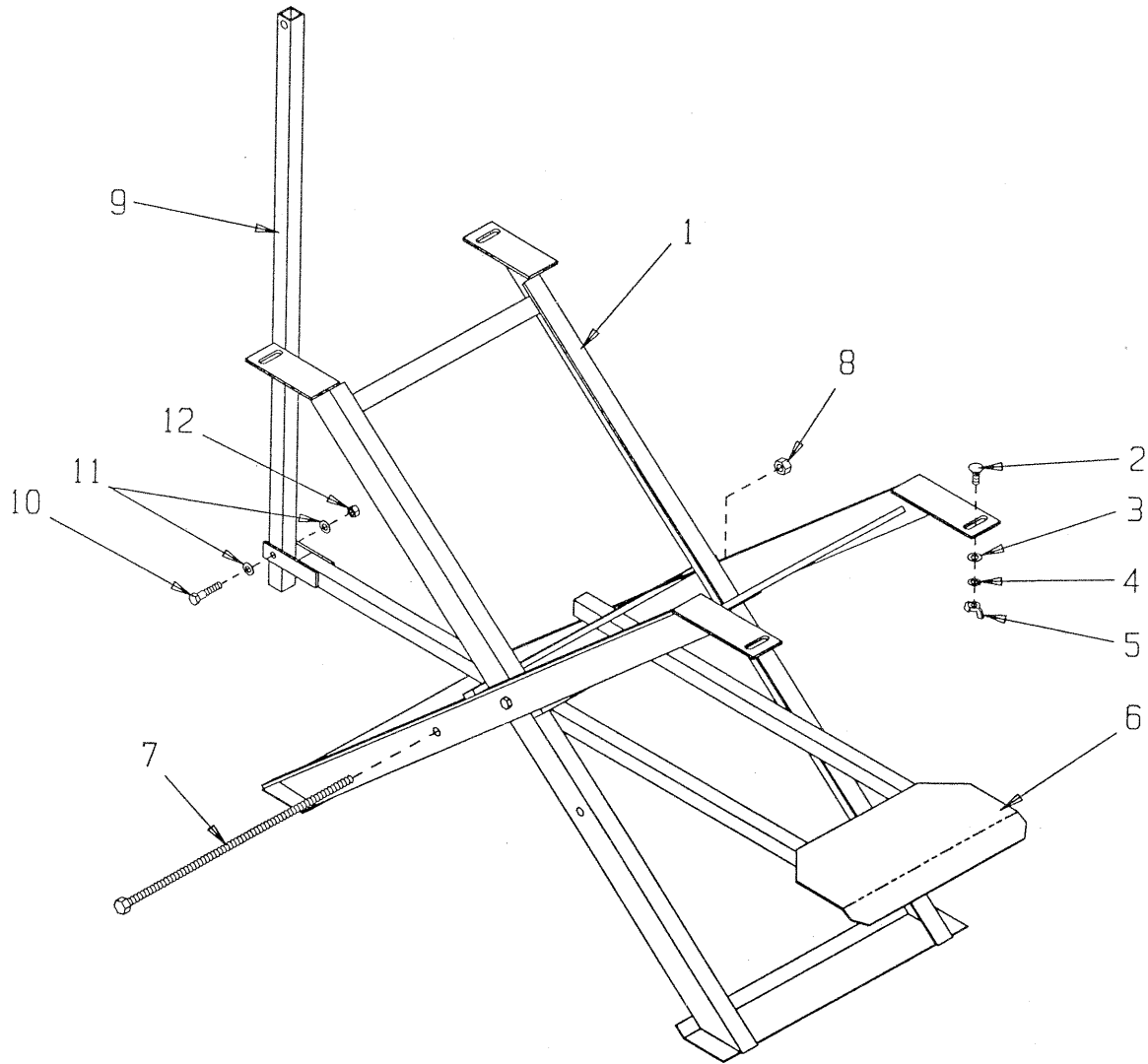
Item #	Part #	Description	Qty.
1	-----	Main Deck (Refer to Illus.1 - Item #37)	1
2	50016	Bearing, Ball 1" Pillow Block	4
3	10960	Fitting, Grease 1/4-28 x 45°	4
4	10816	Screw, Cap 3/8-24 x 1-1/2	8
5	10025	Washer, Flat 3/8	16
6	10811	Washer, Lock 3/8	8
7	10014	Nut 3/8-24	8
8	40357	Shaft, Jack 1"Dia. x 13-1/2"L	1
9	10109	Sheave 3"O.D. x 2Gr.A x 1"Bore	2
10	40317	Key 1/4"Sq. x 1-5/8	2
11		Belt (Refer to Name Plate on Machine)	2
	10252	Belt 4L-285 (5.5 HP Honda or B & S)	
	10259	Belt AP-29 (9 HP Honda)	
12	10223	Belt AX-36	
13	40005	Sheave 3"O.D. x 2Gr.A x 3/4"B.	1
14	10170	Key 3/16"Sq. x 1-3/4	1

ILLUSTRATION 6: ENGINE GROUPING



Item #	Part #	Description	Qty.
1		Engine	1
	40387	Honda 5.5 HP GX160 (Shown)	
	15032	Briggs & Stratton 5.5 HP Vanguard	
	15027	Honda 9 HP GX270	
2		Sheave 3"OD x 3Gr.A	1
	81011	3/4"Bore (5.5 HP)	
	80027	1"Bore (9 HP)	
3	10168	Key 3/16" Sq. x 2"L	1
4	10054	Nut 5/16-18	4
5	10801	Washer, Lock 5/16	4
6	10213	Washer, Flat 5/16	4
7	10918	Bolt, Carriage 5/16-18 x 1-3/4	4
8		Mount Plate, Engine	1
	40310	5.5 HP honda or B & S Vanguard	
	40318	9 HP Honda	
9	10204	Screw, Cap 5/16-18 x 1-3/4	4
10	10213	Washer, Flat 5/16	8
11	10312	Washer, Flat 1/2	4
12	79035	Bushing, Rubber 5/8" I.D. x 1/4" Thk.	4
13	10225	Bushing, Rubber, Engine Mount	4
14	56018	Bushing, Rubber 3/8" ID x 1/4" Thk.	4
15	10807	Nut, Lock 5/16-18	4
16		Cable, Throttle Control	1
	40388	24" (5.5 HP)	
	3611	54" Cable Cut to 26" (9 HP Honda)	
17	10830	Screw, Machine 10-32 x 1/2	2
18	10455	Washer, Lock Ext. Tooth #10	2
19	10832	Nut 10-32	2

ILLUSTRATION 7: OPTIONAL STAND & FOOT PEDAL ASSEMBLY GROUPING



MODEL STM FOLDING PORTABLE STAND - PART #21800
(Includes Items 1 thru 5)

MODEL GK-STM FOOT PEDAL KIT - PART #40380
(Includes Items 6 thru 12)

Item #	Part #	Description	Qty.
1	40371	Stand	1
2	10802	Bolt, Carriage 3/8-16 x 1	4
3	10025	Washer, Flat 3/8	4
4	10811	Washer, Lock 3/8	4
5	10903	Nut, Wing 3/8-16	4
6	40381	Treadle (Foot Pedal)	1
7	40383	Bolt, Allthread Rod 1/2-13 x 17	1
8	10407	Nut, Lock 1/2-13	1
9	40382	Linkage, Drag	1
10	10029	Screw, Cap 3/8-24 x 1-3/4	1
11	10025	Washer, Flat 3/8	2
12	10004	Nut, Lock 3/8-24	1