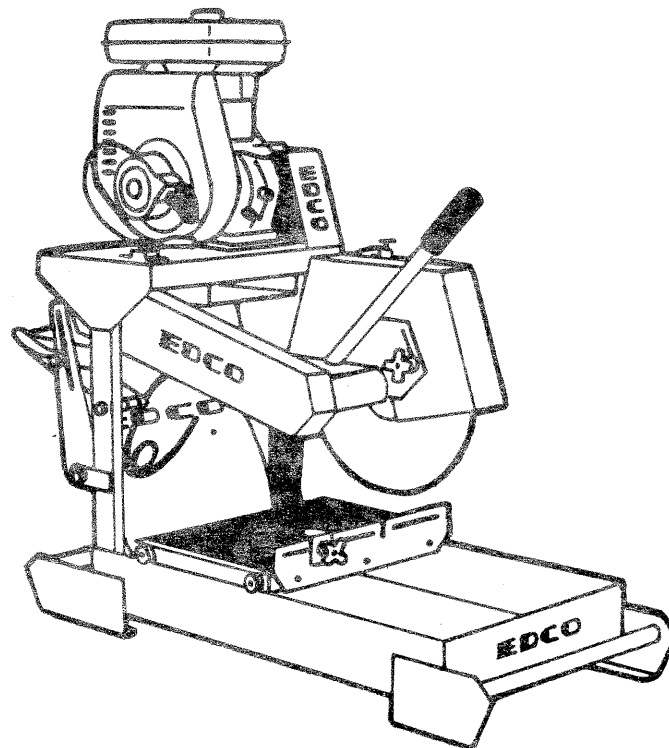
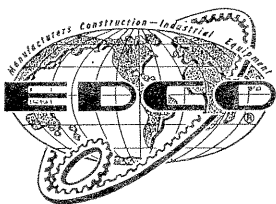


GASOLINE POWERED 14" MASONRY SAW

PARTS MANUAL



Model GMS-14



EQUIPMENT DEVELOPMENT COMPANY, INC.

100 THOMAS JOHNSON DRIVE, FREDERICK, MARYLAND 21702-4305 USA

PHONE (301)663-1600

TOLL FREE 1-800-638-3326

FAX (301)663-1607

FAX FREE 1-800-447-3326

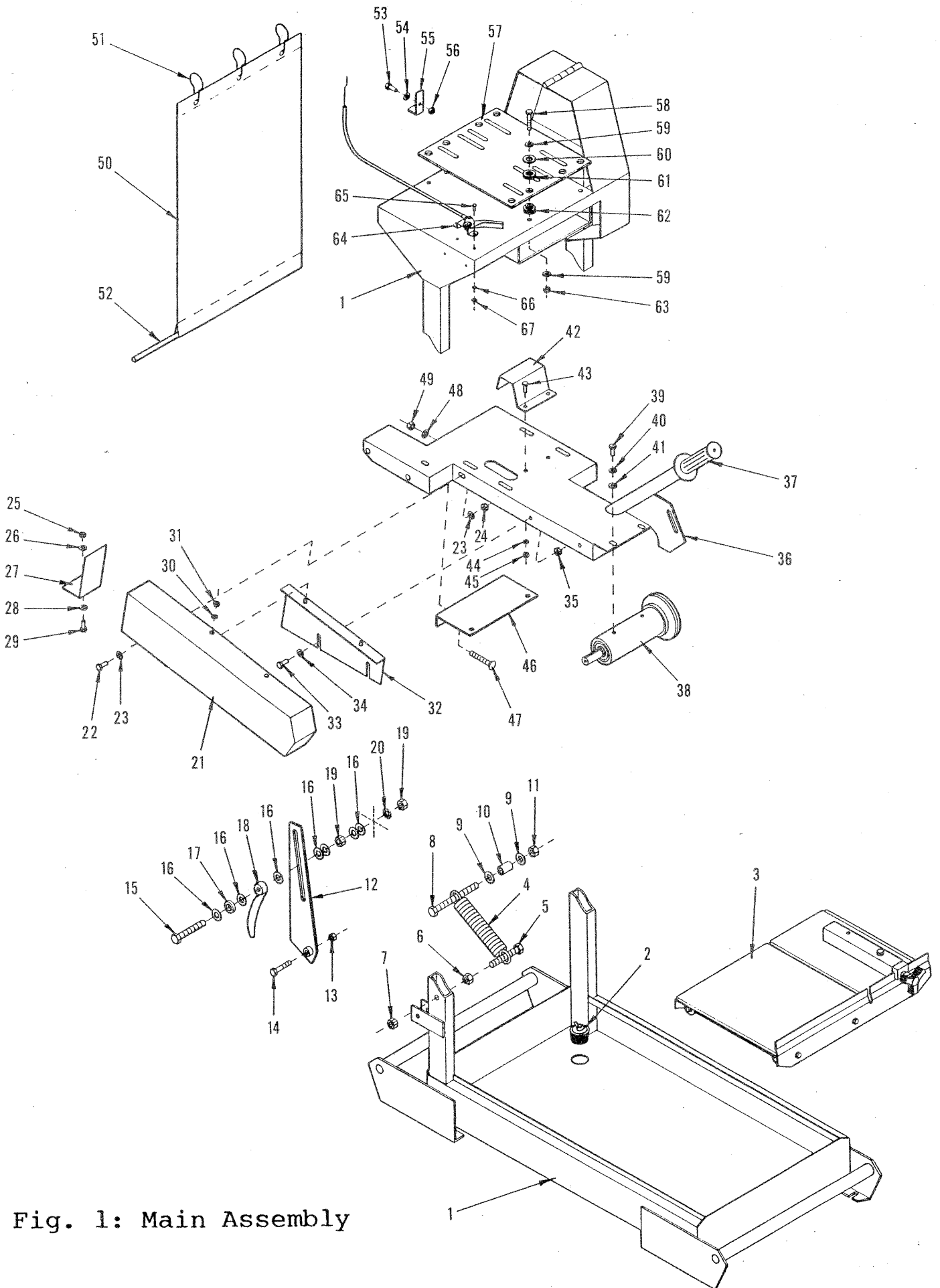


Fig. 1: Main Assembly

Fig. 1: Main Assembly Parts Listing

Item #	Part #	Qty.	Description	Item #	Part #	Qty.	Description
1.	40350	1	Pan Assy. W/Deck	36.	40363	1	Main Deck
2.	40378	1	Stopper 1-1/2"	37.	61108	1	Grip 1" Ribbed
3.	40055	1	Table, Rolling (Complete) See Fig. 3 for Break-down	38.	40056	1	Arbor Assy. (Complete) See Fig. 2 for Break-down
4.	40032G	1	Spring, Ext. 1.25"OD x 7"L	39.	10048	4	Screw, Cap 5/16-24 x 3/4
5.	10340	1	Screw, Cap 1/2-13 x 3"Full	40.	10801	4	Washer, Lock 5/16
6.	10417	1	Nut 1/2-13	41.	10213	4	Washer, Flat 5/16
7.	10407	1	Nut, Lock 1/2-13	42.	40365	1	Guard, Drive Jack Shaft
8.	10913	1	Screw, Cap 1/2-20 x 5	43.	10018	2	Screw, Cap 1/4-20 x 3/4
9.	10312	2	Washer, Flat 1/2	44.	10038	2	Washer, Lock 1/4
10.	40312	1	Spacer, Steel 1/2"ID x 1-1/8	45.	10013	2	Nut 1/4-20
11.	10205	1	Nut, Lock 1/2-20	46.	40359	1	Plate, Tension Adjustment
12.	40361	1	Plate, Pivot Lock	47.	10335	1	Bolt, Carr. 3/8-16 x 2-1/2 Full
13.	10004	1	Nut, Lock 3/8-24	48.	10025	1	Washer, Flat 3/8
14.	10029	1	Screw, Cap 3/8-24 x 1-3/4	49.	10404	1	Nut 3/8-16
15.	10340	1	Screw, Cap 1/2-13 x 3"Full	50.	40375	1	Curtain
16.	10312	7	Washer, Flat 1/2	51.	40376	3	Hook, Curtain
17.	79035	1	Bushing, Rubber 5/8"ID x 1/4	52.	40377	1	Curtain Rod 1/2Rd. x 13"L
18.	40358	1	Nut, Tail 1/2-13	53.	10053	1	Screw, Cap 5/16-18 x 3/4
19.	10417	2	Nut 1/2-13	54.	10213	1	Washer, Flat 5/16
20.	10045	1	Washer, Lock 1/2	55.	40048	1	Latch, Belt Cover
21.	40355	1	Cover, Belt	56.	10807	1	Nut, Lock 5/16-18
22.	10053	1	Screw, Cap 5/16-18 x 3/4	57.	40310	1	Mount Plate, Engine
23.	10213	2	Washer, Flat 5/16	58.	10342	4	Screw, Cap 5/16-18 x 1-1/2
24.	10807	1	Nut, Lock 5/16-18	59.	10213	8	Washer, Flat 5/16
25.	10054	1	Nut 5/16-18	60.	10312	4	Washer, Flat 1/2
26.	10801	1	Washer, Lock 5/16	61.	79035	4	Bushing, Rubber 5/8"ID x 1/4
27.	40354	1	Cap, Belt Cover	62.	10225	4	Bushing, Rubber Shock
28.	10213	1	Washer, Flat 5/16	63.	10807	4	Nut, Lock 5/16-18
29.	10053	1	Screw, Cap 5/16-18 x 3/4	64.	40388	1	Cable, Throttle 24" Lined
30.	10602	2	Washer, Flat 1/4		40313	1	Cable, Throttle 16" Unlined
31.	10015	2	Nut, Lock 1/4-20		40314	1	Cable, Throttle 26" Unlined
32.	40356	1	Bracket, Belt Cover	65.	10830	2	Screw, Mach. 10-32 x 1/2
33.	10053	2	Screw, Cap 5/16-18 x 3/4	66.	10455	2	Washer, Ext. Tooth #10
34.	10213	2	Washer, Flat 5/16	67.	10832	2	Nut, 10-32
35.	10807	2	Nut, Lock 5/16-18				

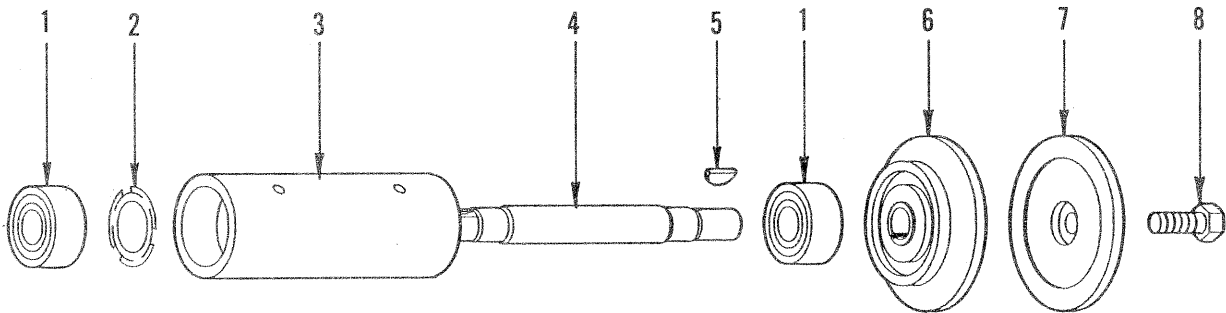


Fig. 2: Arbor Assembly

Item #	Part #	Qty.	Description	Item #	Part #	Qty.	Description
1.	40018	2	Bearing, Radial Ball	5.	40036	1	Key, Woodruff 1/8 x 3/8
2.	40019	1	Washer, Thrust Spring	6.	40022	1	Arbor, Backing Plate
3.	40020	1	Arbor, Housing	7.	40023	1	Arbor, Blade Retaining Cap
4.	40021	1	Arbor, Shaft	8.	10321	1	Screw, Cap 1/2-20 x 1-1/4

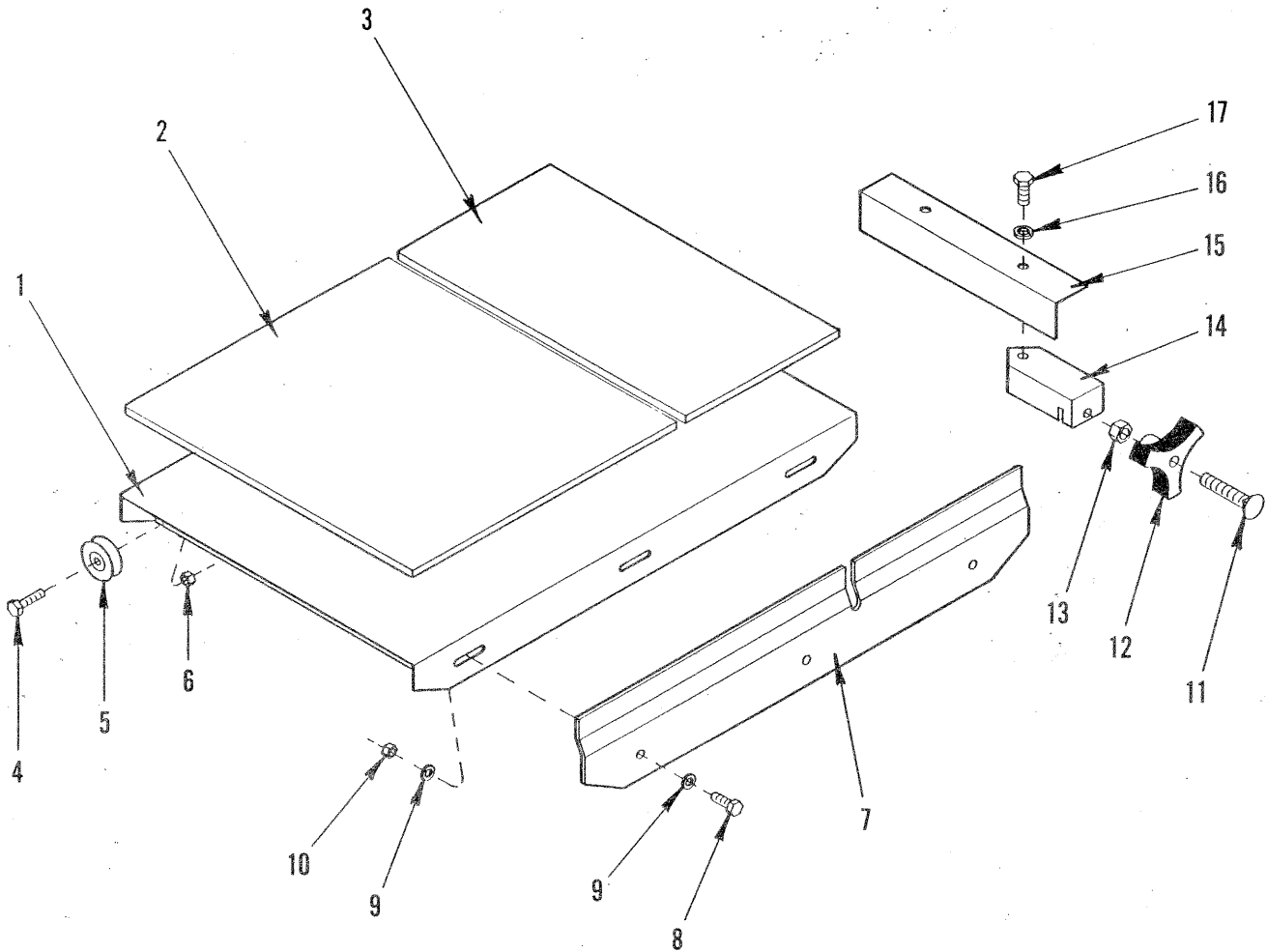


Fig. 3: Rolling Table Assembly

Complete Table Assembly (All Items) - Part #40055
 Cut Guide Complete (Items 11 thru 17) - Part #40069

Item #	Part #	Qty.	Description
1.	40053	1	Table, Rolling
2.	40405	1	Pad 10-3/4 x 11-3/4
3.	40406	1	Pad 6-1/4 x 11-3/4
4.	10031	4	Screw, Cap 1/4-20 x 1
5.	14082	4	Track Wheel (Pulley Brg.) 1-1/4"Dia
6.	10015	4	Nut, Lock 1/4-20
7.	40054	1	Front Panel, Table
8.	10018	3	Screw, Cap 1/4-20 x 3/4
9.	10602	6	Washer, Flat 1/4
10.	10015	3	Nut, Lock 1/4-20
11.	10364	1	Bolt, Carr. 3/8-16 x 2"Full Thd.
12.	80011	1	Knob, Star 3/8-16
13.	10404	1	Nut 3/8-16
14.	42015	1	Guide, Cut Block Aluminum
15.	40058	1	Guide, Angle Cut
16.	10801	1	Washer, Lock 5/16
17.	10053	1	Screw, Cap 5/16-18 x 3/4

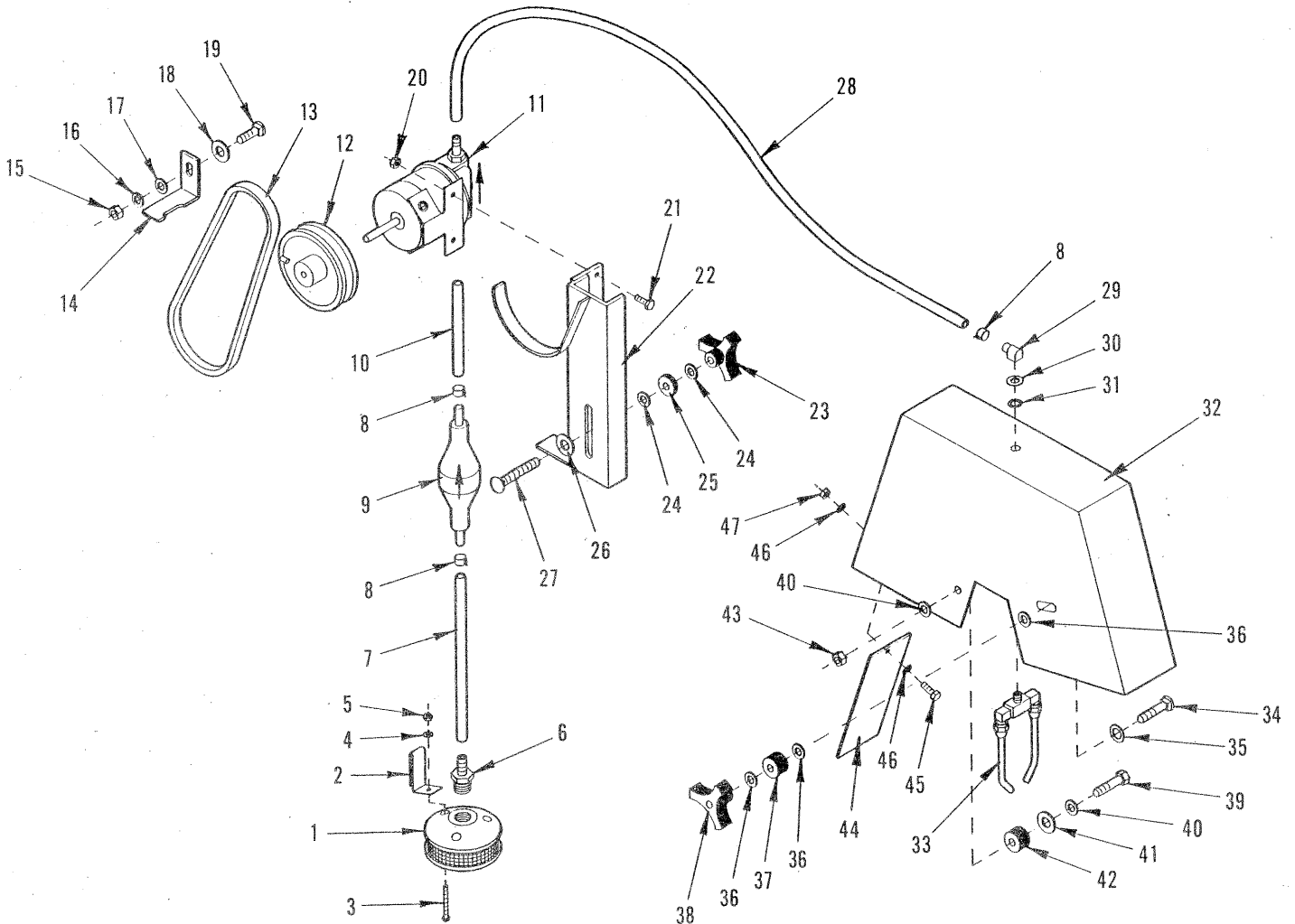


Fig.4: Water Pump & Blade Guard Assembly

Item #	Part #	Qty.	Description	Item #	Part #	Qty.	Description
1.	40301	1	Filter Assy., Water	22.	40396	1	Mount, Water Pump
	40302		Filter Housing, Water	23.	80011	1	Knob, Star 3/8-16
	40303		Screen, Water Filter (S.S.)	24.	10025	2	Washer, Flat 3/8
2.	40305	1	Hanger Clip	25.	56018	1	Bushing, Rubber 3/8"ID x 1/4
3.	40306	1	Screw, Mach. 10-24 x 1-3/4(S.S.)	26.	10312	1	Washer, Flat 1/2
4.	40307	1	Washer, Lock #10 (S.S.)	27.	10335	1	Bolt, Carr. 3/8-16 x 2-1/2 Full
5.	40308	1	Nut 10-24 (S.S.)	28.	40369	1	Hose 5/16"ID x 24"L
6.	40304	1	Barb, 3/8Hose x 1/2MIP (Plastic)	29.	40015	1	Elbow, Street 1/8NPT x 90
7.	40397	1	Hose 5/16"ID x 9"L	30.	40309	1	Washer, Alum. 7/16"ID
8.	10762	3	Clamp, Hose Spring-Type 3/8"	31.	10936	1	Washer, Nylon 7/16"ID
9.	40049	1	Bulb, Primer 5/16"	32.	40013	1	Guard, Blade 14"
10.	40368	1	Hose 5/16"ID x 5"L	33.	81004	1	Nozzle, Coolant (Male)
11.	40393	1	Pump Assembly, Water (Break-down is Available)	34.	10087	1	Bolt, Carr. 3/8-16 x 1-3/4
12.	40392	1	Sheave 4"OD x 1Gr.A x 5/16"B W/Set Screw	35.	10040	1	Washer, Garret 17/32
13.	10252	1	Belt 4L-285 (5 HP)	36.	10025	3	Washer, Flat 3/8
	10259	1	Belt AP-29 (8 HP)	37.	10034	1	Bushing, Rubber 3/8"ID x 5/8
14.	40311	1	Bracket, Belt Stop	38.	80011	1	Knob, Star 3/8-16
15.	10404	1	Nut 3/8-16	39.	10816	1	Screw, Cap 3/8-24 x 1-1/2
16.	10811	1	Washer, Lock 3/8	40.	10025	2	Washer, Flat 3/8
17.	10025	1	Washer, Flat 3/8	41.	10312	1	Washer, Flat 1/2
18.	10312	1	Washer, Flat 1/2	42.	10034	1	Bushing, Rubber 3/8"ID x 5/8
19.	10802	1	Bolt, Carr. 3/8-16 x 1	43.	10004	1	Nut, Lock 3/8-24
20.	10015	2	Nut, Lock 1/4-20	44.	40012	1	Flap, Splash 2-1/2 x 7"
21.	10834	2	Screw, Cap 1/4-20 x 1/2	45.	10018	1	Screw, Cap 1/4-20 x 3/4
				46.	10602	2	Washer, Flat 1/4
				47.	10015	1	Nut, Lock 1/4-20

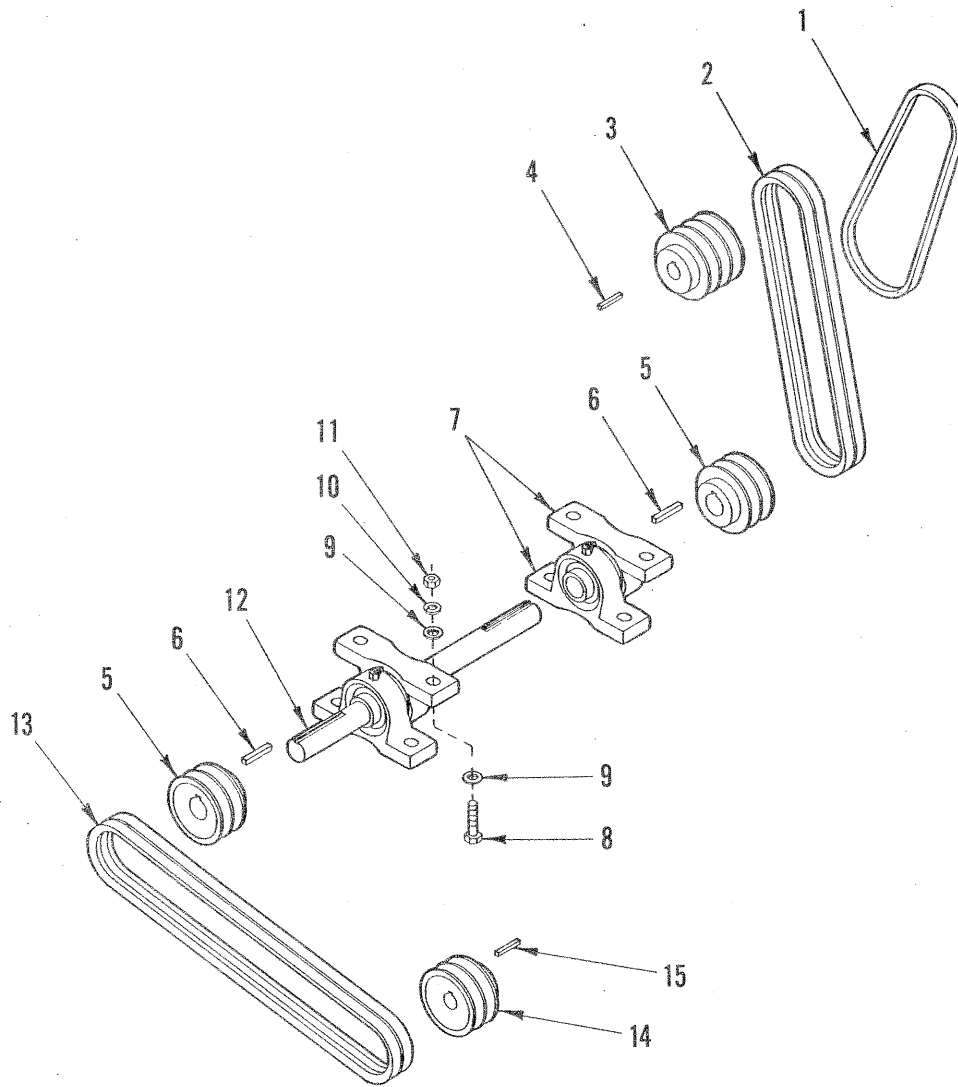


Fig. 5: Belt Drive Assembly

Item #	Part #	Qty.	Description
1.	10252	1	Belt 4L-285 (Water Pump) 5 HP
	10259	1	Belt AP-29 (Water Pump) 8 HP
2.	10252	2	Belt 4L-285 (5 HP Honda GX140)
	10224	2	Belt 4L-280 (4.6 HP Robin EY18)
	10259	2	Belt AP-29 (8 HP Honda GX240)
3.	81011	1	Sheave 3"OD x 3Gr.A x 3/4"B (5 HP)
	80027	1	Sheave 3"OD x 3Gr.A x 1"B (8 HP)
4.	10016	1	Key 3/16 Sq. x 1-1/2
5.	10109	2	Sheave 3"OD x 2Gr.A x 1"B
6.	10115	2	Key 1/4 Sq. x 2
7.	50016	4	Bearing, Ball 1" Pillow Block
8.	10816	8	Screw, Cap 3/8-24 x 1-1/2
9.	10025	10	Washer, Flat 3/8
10.	10811	8	Washer, Lock 3/8
11.	10004	8	Nut, 3/8-24
12.	40357	1	Shaft, Drive Jack
13.	10223	2	Belt AX-36 (Arbor)
14.	40005	1	Sheave 3"OD x 2Gr.A x 3/4"B (Arbor)
15.	10060	1	Key 3/16 Sq. x 1-1/4

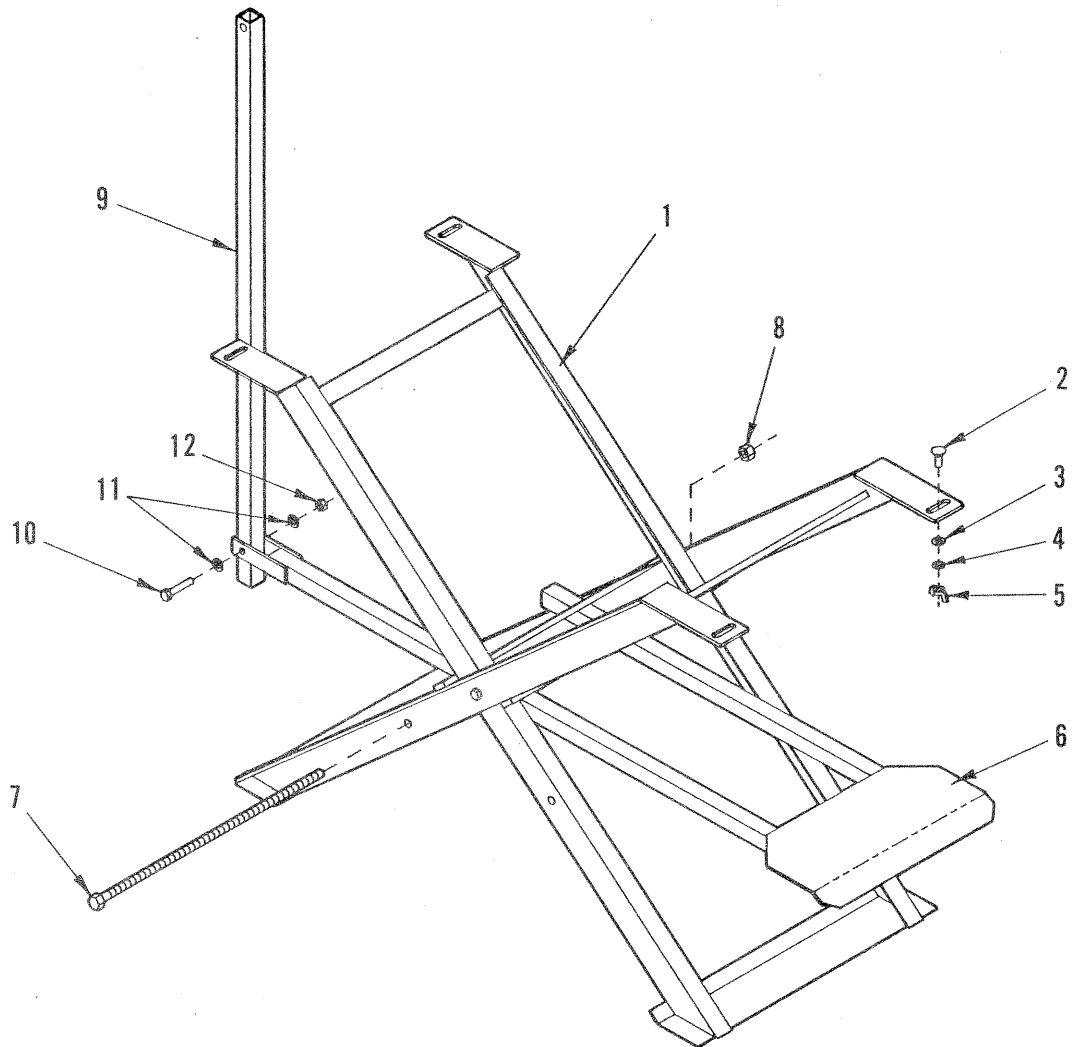


Fig. 6: Optional Stand & Foot Pedal

Model STM Folding Portable Stand - Part #21800
(Items 1 thru 5)

Model GK-STM Foot Pedal Kit - Part #40380
(Items 6 thru 12)

Item #	Part #	Qty.	Description
1.	40371	1	Stand
2.	10802	1	Bolt, Carr. 3/8-16 x 1
3.	10025	4	Washer, Flat 3/8
4.	10811	4	Washer, Lock 3/8
5.	10903	4	Nut, Wing 3/8-16
6.	40381	1	Treadle
7.	40383	1	Bolt, Allthread 1/2-13 x 17
8.	10407	1	Nut, Lock 1/2-13
9.	40382	1	Linkage, Drag
10.	10029	1	Screw, Cap 3/8-24 x 1-3/4
11.	10025	2	Washer, Flat 3/8
12.	10004	1	Nut, Lock 3/8-24