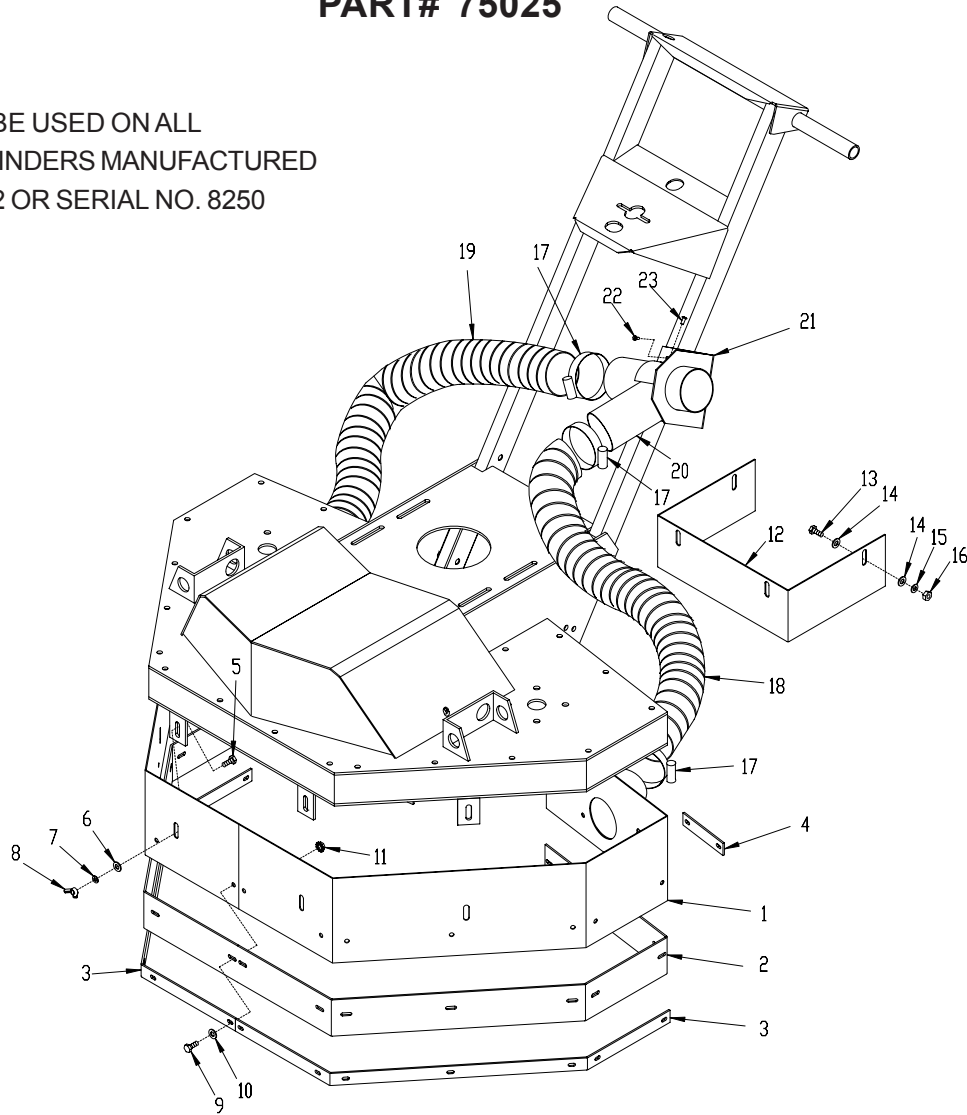


## SKIRT KIT W/ RUBBER SEALS AND REMOTE VACUUM PORT FOR FOUR DISC GRINDERS\* PART# 75025

**\*NOTE:**  
THIS KIT CAN BE USED ON ALL  
MODEL 411 GRINDERS MANUFACTURED  
PRIOR TO 2002 OR SERIAL NO. 8250



| ITEM# | PART# | DESCRIPTION   | QTY. | ITEM# | PART# | DESCRIPTION                         | QTY. |
|-------|-------|---|------|-------|-------|-------------------------------------|------|
| 1     | 75009 | SKIRT GUARD   | 1    | 12    | 75011 | PANEL, CENTER SKIRT                 | 1    |
| 2     | 75014 | RUBBER SKIRT 3 X 94-3/4<br>(RUBBER PIECES BACK TO BACK) | 2    | 13    | 10053 | SCREW, CAP 5/16-18 X 3/4            | 4    |
| 3     | 75015 | RETAINER, RUBBER SKIRT 34-1/4"LOA                       | 2    | 14    | 10213 | WASHER, FLAT 5/16                   | 8    |
| 4     | 75016 | RETAINER, RUBBER SKIRT 4-1/2"L                          | 4    | 15    | 10801 | WASHER, LOCK 5/16                   | 4    |
| 5     | 10819 | BOLT, CARRIAGE 5/16-18 X 1                              | 8    | 16    | 10054 | NUT 5/16-18                         | 4    |
| 6     | 10213 | WASHER, FLAT 5/16                                       | 8    | 17    | 10849 | CLAMP, HOSE, SAE #52, ADJ. TO 3-3/4 | 4    |
| 7     | 10801 | WASHER, LOCK 5/16                                       | 8    | 18    | 75022 | HOSE, FLEX 3"ID X 36"L, ANTI-STATIC | 1    |
| 8     | 10902 | NUT, WING 5/16-18                                       | 8    | 19    | 75023 | HOSE, FLEX 3"ID X 24"L, ANTI-STATIC | 1    |
| 9     | 10018 | SCREW, CAP 1/4-20 X 3/4                                 | 22   | 20    | 75018 | FITTING, 3" Y                       | 1    |
| 10    | 10602 | WASHER, FLAT 1/4  | 22   | 21    | 75017 | MOUNT BRKT., Y-FITTING              | 1    |
| 11    | 10861 | NUT, KEPS 1/4-20  | 22   | 22    | 10877 | SCREW, CAP STSHW 10-24 X 1/2        | 2    |
|       |       |   |      | 23    | 12113 | RIVET, BLIND 3/16 X .440"L X .375HD | 2    |



100 Thomas Johnson Drive, Frederick, MD 21702-4600 USA  
 Phone (301) 663-1600 • 1-800-638-3326  
 Fax (301) 663-1607 • 1-800-447-3326  
 Website: [www.edcoinc.com](http://www.edcoinc.com) • Email: [sales@edcoinc.com](mailto:sales@edcoinc.com)

Printed in USA  
 ©2005