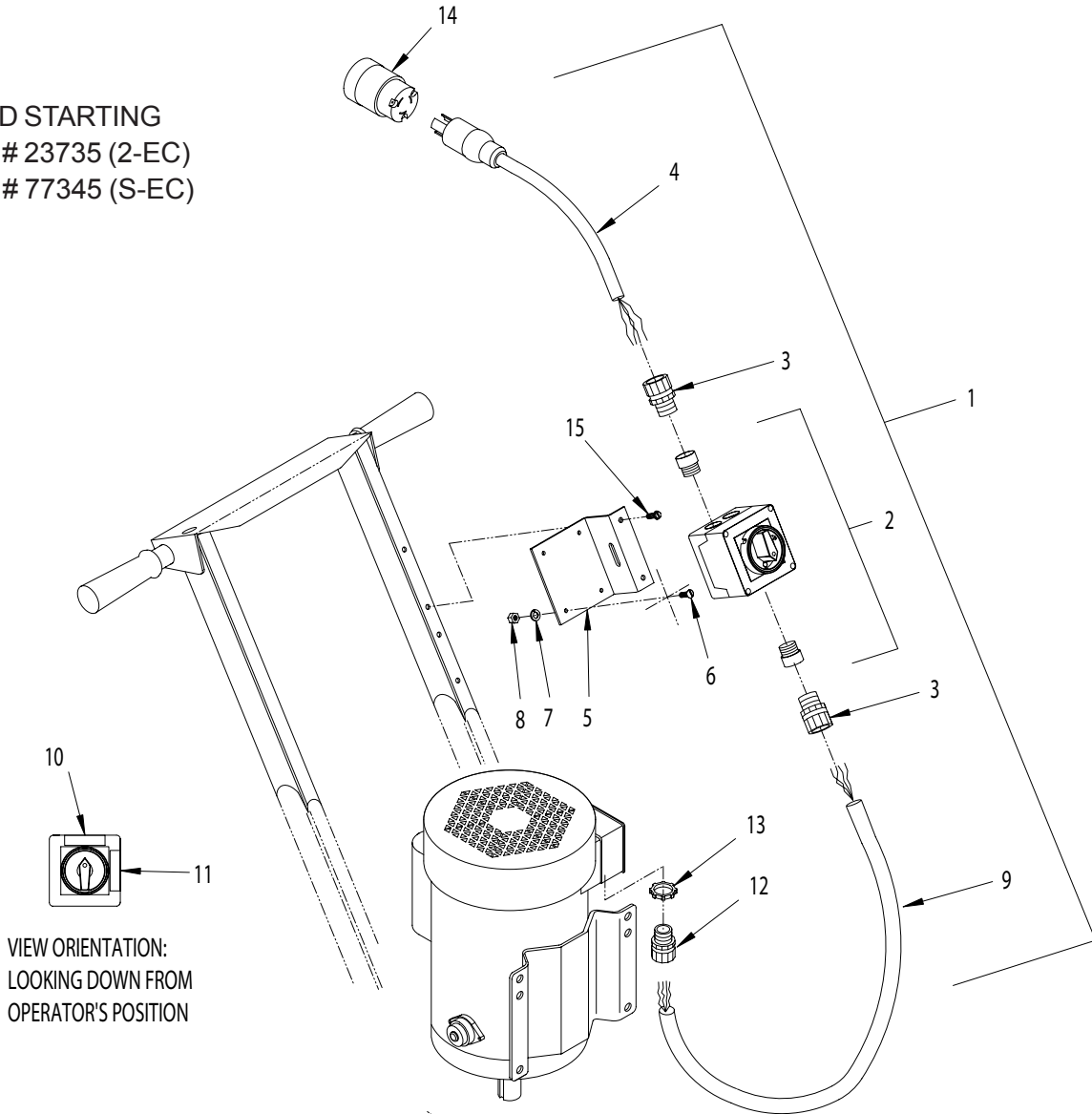


**MODELS 2-EC and S-EC
SWITCH AND WIRE HARNESS ASSEMBLY
PART # 77028**

REVISED STARTING
SERIAL # 23735 (2-EC)
SERIAL # 77345 (S-EC)



ITEM#	PART #	DESCRIPTION	QTY.	ITEM#	PART #	DESCRIPTION	QTY.
1	77028	SWITCH & WIRE HARNESS ASSY. (INCLUDES ITEMS 2 THRU 11)	1	9	77045	WIRE HARNESS, 12/3 X 39" LOA	1
2	77043	SWITCH, ROTARY CAM ON/OFF, LOVATO INCLUDES (2) 1/2 NPT ADAPTERS	1	10	91173	DECAL, OFF (HORZ.)	1
3	41130	STRAIN RELIEF 1/2NPT X .550-.650"	2	11	91174	DECAL, ON (VERT.)	1
4	77044	PLUG W/ 12/3 WIRE HARNESS, LOCKING	1	*12		STRAIN RELIEF	1
5	77042	BRACKET, LOVATO SWITCH BOX	1	10959		3/4NPT X .550-.650" (MODEL 2-EC)	
6	11663	SCREW, MACHINE 8-32 X 1/2 (LOCATED INSIDE SWITCH BOX)	4	41130		1/2NPT X .550-.650" (MODEL S-EC)	
7	10461	WASHER, LOCK, INT. TOOTH #8	4	*13	10740	CONDUIT LOCK NUT 3/4 NP (USE ON S-EC MODELS ONLY)	1
8	10462	NUT 8-32	4	*14	40000	PLUG CONNECTOR, LOCKING 20A/250V	1
				*15	10846	SCREW, CAP STSHW 1/4-20 X 1/2	2
				*NOTE: ITEMS 12 THRU 15 ARE NOT INCLUDED WITH ASSEMBLY			



100 Thomas Johnson Drive, Frederick, MD 21702-4600 USA
 Phone (301) 663-1600 • 1-800-638-3326
 Fax (301) 663-1607 • 1-800-447-3326
 Website: www.edcoinc.com • Email: sales@edcoinc.com

Printed in USA
 ©2003