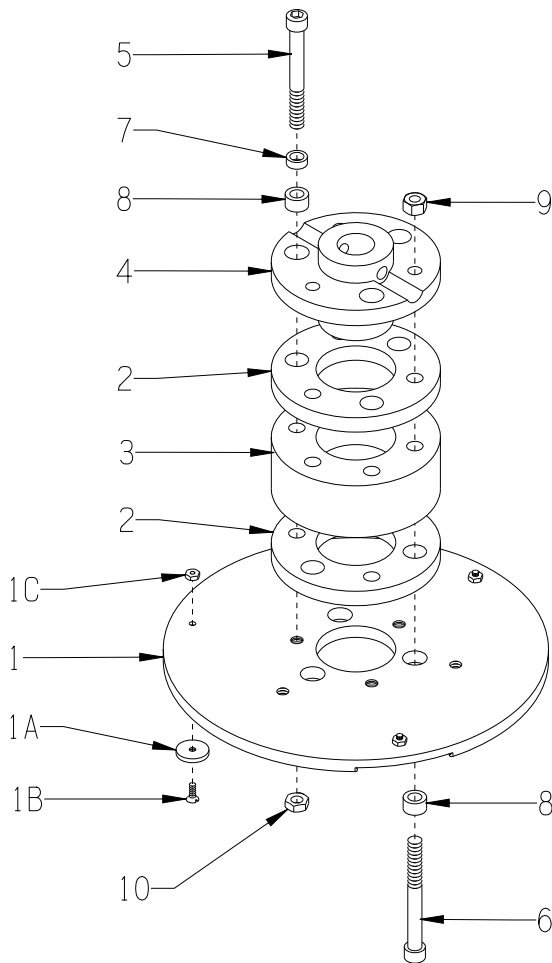


PARTS LIST

E-MTDA-PL-1215



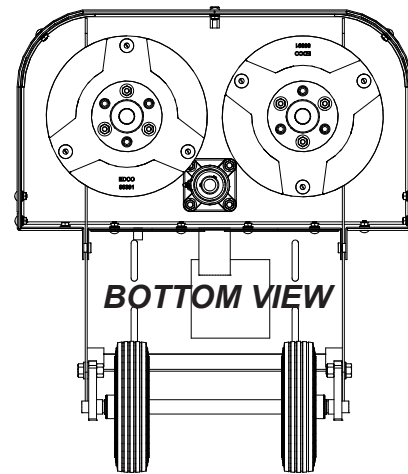
DISC ASSEMBLY FOR "CLASSIC" GRINDERS



RETROFIT PART # 77170 (1 DISC COMPLETELY ASSEMBLED)

DUAL-DISC ORIENTATION

INSTALL DISC IN OPPOSITE DIRECTIONS
SO THEY PASS EACH OTHER AT THE
CENTER IN ALTERNATING SEQUENCE.



ITEM #	PART #	DESCRIPTION	QTY.*
1	86391	10" MAGNA-TRAP DISC W/ MAGNETS (INCLUDES ITEMS 1A, 1B AND 1C)	1
1A	36064	MAGNET, NEODYMIUM RING 7/8 X 1/8	3
1B	10647	SCREW, FLAT HD PHILLIPS 8-32 X 1/2	3
1C	10462	NUT, KEPS LOCK 8-32 ZINC	3
2	10112	RING, RUBBER, 4-1/2"OD X 1/2"THK	2
3	77173	HUB SPACER, MAGNA-TRAP DISC	1
4	77010	HUB, ALUMINUM 6-HOLE (GRINDER)	1
5	11855	SCREW, SKT. HD. CAP 3/8-24 X 3-1/4	3
6	11856	SCREW, SKT. HD. CAP 3/8-24 X 3-1/2	3
7	10113	SPACER, STEEL 9/16OD X 3/8ID X 7/32	3
8	10011	SPACER, STEEL 5/8OD X 3/8ID X 3/8T	6
9	10004	NUT, HEX LOCK 3/8-24 LOCK (USE RED LOCTITE)	3
10	11725	NUT, HEX JAM 3/8-24 ZINC (USE RED LOCTITE)	3

*NOTE: QUANTITIES ARE PER EACH DISC ASSEMBLY.

EQUIPMENT DEVELOPMENT COMPANY, INC.

100 Thomas Johnson Drive, Frederick, MD 21702-4600 USA
 Phone: 800-638-3326 or 301-663-1600 • Fax: 800-447-3326 or 301-663-1607
 Website: www.edcoinc.com • E-mail: sales@edcoinc.com

Printed in USA
 JWA ©2015