

STARTING SERIAL #071010208

PARTS LIST MANUAL**18" DOWNCUT CONCRETE/ASPHALT WALK BEHIND SAW**

**MODEL
DS18-13H
SHOWN**



**MODEL
DS18-5B
SHOWN**

DS18 WALK BEHIND SAWS

SKU NO.	MODEL	POWER OPTION
37100	DS18-13H	HONDA ENGINE 13 HP GX390-QXC9
37300	DS18-5B/230/1	BALDOR MOTOR 5 HP-1PH-60HZ-230V-19.5FLA
37400-230	DS18-5B/230/3	BALDOR MOTOR 5 HP-3PH-60HZ-230V-12FLA
37400-460	DS18-5B/460/3	BALDOR MOTOR 5 HP-3PH-60HZ-460V-6FLA
37400-50/220	DS18-5B/50/220/3	BALDOR MOTOR 5 HP-3PH-50HZ-220V-13FLA
37400-50/380	DS18-5B/50/380/3	BALDOR MOTOR 5 HP-3PH-50HZ-380V-7.6FLA
37400-50/440	DS18-5B/50/440/3	BALDOR MOTOR 5 HP-3PH-50HZ-440V-6.5FLA



A Division of Equipment Development Company, Inc.

100 Thomas Johnson Drive, Frederick, MD 21702-4600 USA

Phone (301) 663-1600 • 1-800-638-3326

Fax (301) 663-1607 • 1-800-447-3326

Website: www.edcoinc.com

Email: sales@edcoinc.com

Printed in USA

©2007

READ AND UNDERSTAND THE OPERATORS INSTRUCTION MANUAL THOROUGHLY BEFORE ATTEMPTING TO OPERATE THIS EQUIPMENT. Death or serious injury could occur if this machine is used improperly.



SAFETY MESSAGES



The safety instructions are preceded by a graphic alert message of DANGER, WARNING, or CAUTION.



Indicates an imminent hazard which, if not avoided, will result in death or serious injury.



Indicates an imminent hazard which, if not avoided, can result in death or serious injury.



Indicates hazards which, if not avoided, could result in serious injury and or damage to the equipment.

GASOLINE Powered Equipment



- Do not operate gasoline powered equipment without adequate ventilation. Carbon monoxide is an invisible, odorless gas that can kill.

ELECTRICAL Powered Equipment



- ELECTRICAL HAZARD** - Be sure equipment is properly grounded. Failure to comply could kill or result in serious injury.



The engine exhaust from this product contains chemicals known to the State of California to cause cancer, birth defects or other reproductive harm.

GENERAL INSTRUCTIONS



- You must read and understand the operators instruction manual and all other manuals associated with this machine. For your safety and the safety of others around you, it is extremely important to fully understand how to operate this machine in the way it was intended. Different model machines or older/newer versions of the same model may have different parts and controls that you need to understand. If instructions are not readable or available DO NOT USE this machine and contact the factory for a replacement Manual.
- You must be able to physically handle the bulk weight and power of this machine. If not properly controlled this machine can cause death or serious injury.
- Do not operate this machine in an impaired mental state. You must be able to exercise good judgement and reactions to maintain a safe working environment.
- This is a "one person" machine which means only one operator can be operating the machine at any one time. For the safety of others, maintain a safe operating distance to other personnel. Your work area should be defined and appropriately marked so bystanders and coworkers do not stand or walk near this machine and end up seriously injured by flying debris or exposing them to harmful noise or dust.
- This equipment is for Commercial use. Although this is a "one person" machine your work team should understand how to shut this machine off and quickly get medical help if an accident strikes the operator.
- Keep all guards in place during operation. The guards are to provide protection from inadvertent contact with dangerous moving parts, pinch points, or hot surfaces.
- Wear appropriate Personal Protective Equipment (PPE) including safety glasses, safety boots, work gloves, respiratory protection, hearing protection, and head protection. Do not wear loose clothing that can get tangled in moving parts. Failure to do so could result

in dismemberment or death. **Wear an approved respirator when removing hazardous materials or when grinding/cutting dry materials. Some dust particles such as concrete dust can contain silicate particles which can cause silicosis (a very serious lung disease). Contact NIOSH or OSHA for further details. When wet grinding/cutting, avoid contact with the concrete/asphalt slurry which can cause serious skin irritations.**

- You must maintain this machine per the maintenance schedule in the operator manual. Remember before adjusting, servicing, or fueling this machine, disconnect the source of power to the machine by disconnecting the spark plug (Gas models), or by unplugging the electrical power cord (electric models) or air hose (Pneumatic models) AT THE MACHINE so you can assure yourself it remains unplugged while you are working on it. Do not modify this machine. Use only genuine EDCO parts and accessories. Repairs and service should be performed by approved EDCO dealers or authorized technicians.
- You should look carefully around the area before you begin work so you can identify potential hazards such as deck inserts, pipes, columns, openings, electrical cords or outlets, or any other objects protruding from the slab surface.
- This machine has no brain so you must use your own. There is no substitute for safety. The safety decals on the machine are to serve as a reminder for information you must already know before you begin using this machine. Take a moment to reread the safety decals each time you use the machine. If your machine is missing any decals, contact the factory for a replacement (EDCO 1-800-638-3326).

PARTS LIST MANUAL

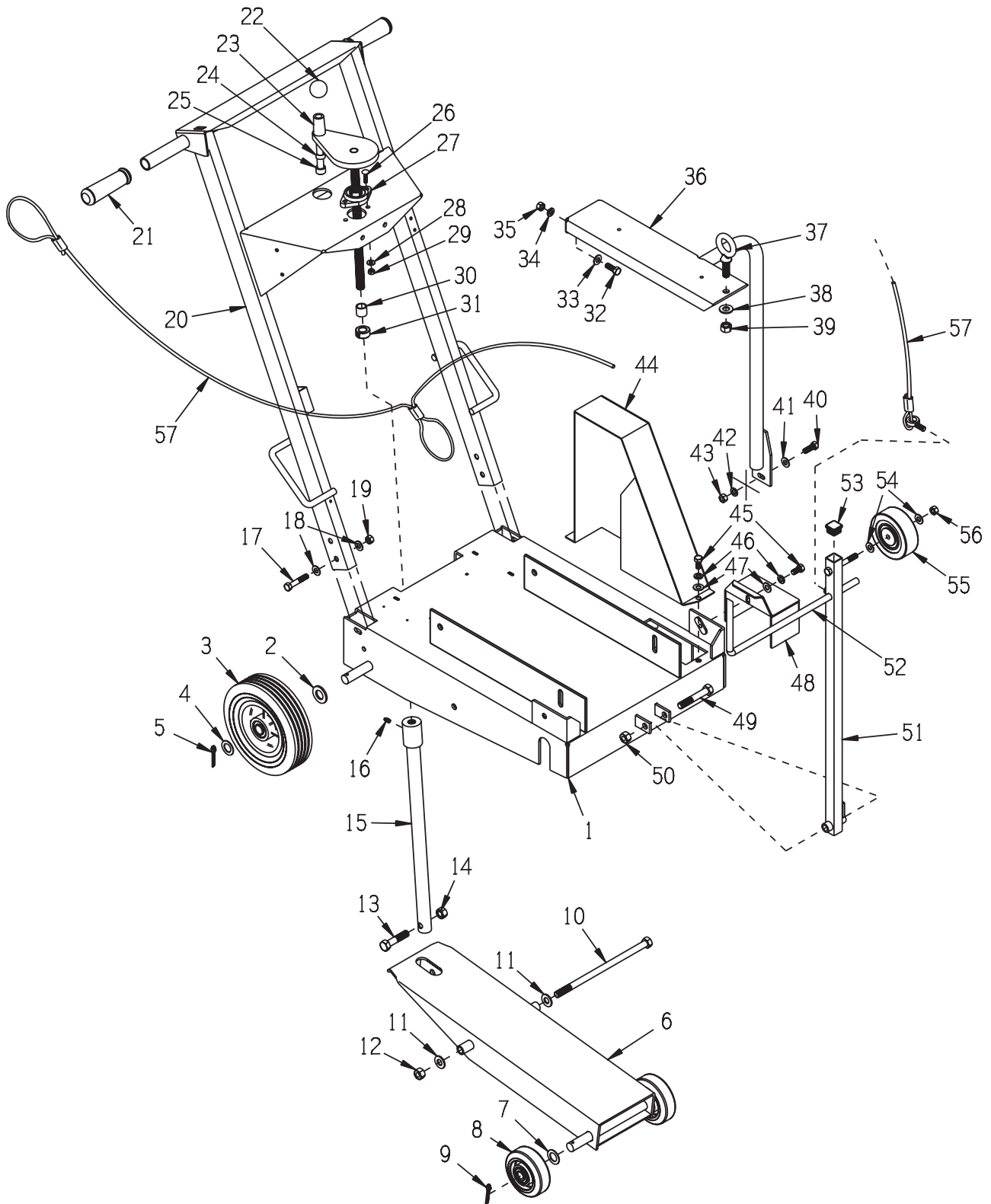
MODEL DS18

<u>Section</u>	<u>Page Number</u>
Safety Messages and General Instructions	2
How To Order Replacement Parts.	3
Illustration 1: Main Grouping	4,5
Illustration 2: Arbor & Blade Guard Grouping	6,7
Illustration 3: Engine Grouping.	8,9
Illustration 4: Motor Grouping	10,11
Illustration 5: Optional Water Tank Assembly	12,13
Wiring Diagram for Electric Units - Baldor L3608T 5HP 1Phase-60Hz.	14
Wiring Diagram for Electric Units - Baldor M3613T 5HP 3Phase-60Hz.	15
Wiring Diagram for Electric Units - Baldor M3613T-50 5HP 3Phase-50Hz	16
Wiring Diagram for Starter Box & Remote Switch	17
Wiring Diagram for Honda Engine	18
Blank Page	19
Limited Equipment Warranty	Back Page

<p style="text-align: center;">HOW TO ORDER REPLACEMENT PARTS</p> <ul style="list-style-type: none"> <input type="checkbox"/> To insure product safety and reliability, always use genuine EDCO replacement parts when making repairs to the equipment. <input type="checkbox"/> When calling for parts, specify the MODEL and SERIAL number of the machine, which can be found on the NAME PLATE. Keep that information in the space provided. In addition to this information, give part number, description, and quantity as listed on the parts list to your parts representative. <input type="checkbox"/> Please note: Due to improvements and changes in the equipment, the illustrations shown may be different than the actual machine. 	<p style="text-align: center;">FILL IN INFORMATION BELOW</p> <p>Date of Purchase _____</p> <p>Model # _____</p> <p>Serial # _____</p> <p>SKU # _____</p>
--	---



ILLUSTRATION 1 : MAIN GROUPING



PARTS LISTING - ILLUSTRATION 1: MAIN GROUPING

ITEM #	PART #	DESCRIPTION	QTY.	ITEM #	PART #	DESCRIPTION	QTY.
1	56301	MAIN FRAME	1	29	10150	NUT, HEX NYLON LOCK 1/4-20	2
2	10009	WASHER, FLAT 3/4 SAE	4	30	55010	SPACER, HANDWHEEL 5/8"ID X 3/4"L	1
3	79013	WHEEL 8 X 2-1/2 X 3/4"BRG.	2	31	10096	COLLAR, LOCKING 5/8"ID	1
4	11597	WASHER .755"ID X 1.25"OD X .060"THK	2	32	10055	SCREW, CAP 3/8-16 X 1	2
5	10306	PIN, COTTER 3/16 X 1-1/4	2	33	10025	WASHER, FLAT 3/8 SAE	2
6	56302	FORK	1	34	10811	WASHER, LOCK 3/8	2
7	11597	WASHER .755"ID X 1.25"OD X .060"THK	AS	35	10156	NUT, HEX NYLON LOCK 3/8-16	2
	10009	WASHER, FLAT 3/4 SAE	REQ'D.	36	56305	LIFTING BAIL	1
8	52001	WHEEL 4 X 1-1/2 X 3/4"BRG.	2	37	10837	BOLT, EYE 1/2-13 X 1-1/2 X 1-1/8"ID	1
9	10306	PIN, COTTER 3/16 X 1-1/4	2	38	10312	WASHER, FLAT 1/2 SAE	1
10	65239	SCREW, CAP 1/2-13 X 10	1	39	10155	NUT, HEX NYLON LOCK 1/2-13	1
11	10312	WASHER, FLAT 1/2 SAE	2	40	10055	SCREW, CAP 3/8-16 X 1	1
12	10155	NUT, HEX NYLON LOCK 1/2-13	1	41	10025	WASHER, FLAT 3/8 SAE	1
13	10347	SCREW, CAP 1/2-20 X 2-1/4	1	42	10811	WASHER, LOCK 3/8	1
14	10154	NUT, HEX NYLON LOCK 1/2-20	1	43	10156	NUT, HEX NYLON LOCK 3/8-16	1
15	56204	LINKAGE, CUT CONTROL	1	44	56206	COVER, BELT	1
16	10808	FITTING, GREASE 1/4-28 STRAIGHT	1	45	10907	SCREW, CAP 3/8-16 X 3/4	3
17	10317	SCREW, CAP 3/8-16 X 2	4	46	10811	WASHER, LOCK 3/8	3
18	10025	WASHER, FLAT 3/8 SAE	8	47	10025	WASHER, FLAT 3/8 SAE	3
19	10156	NUT, HEX NYLON LOCK 3/8-16	4	48	56307	ARBOR COVER	1
20	56303	HANDLE BAR	1	49	10499	SCREW, CAP 1/2-13 X 3	1
21	10608	GRIP, HAND 1" MODEL AT	2	50	10155	NUT, HEX NYLON LOCK 1/2-13	1
22	14023	KNOB, BALL 1-3/8 W/ 1/2-13THD, BLK.	1	51	56304	GUIDE BAR	1
23	51075	HANDWHEEL, LARGE W/ 5/8-8 X 13"ROD	1	52	51012	GUIDE POINTER, FRONT	1
24	50550	SLEEVE FOR 1/2" CAPSCREW, TAPERED	1	53	51078	PLUG, SQ. TUBE 1 X 14 GA., BLACK	1
25	10346	SCREW, SKT. HD. 1/2-13 X 4-1/2 ZINC	1	54	10025	WASHER, FLAT 3/8 SAE	2
26	10412	BOLT, CARRIAGE 1/4-20 X 1 FULL THD.	2	55	50024	WHEEL 4 X 1-3/8 X 3/8"BORE	1
27	80009	BEARING, BALL 5/8" 2-HOLE (NO G.F.)	1	56	10156	NUT, HEX NYLON LOCK 3/8-16	1
28	10602	WASHER, FLAT 1/4 SAE	2	57	56221	ROPE, GUIDE BAR	1



A Division of Equipment Development Company, Inc.

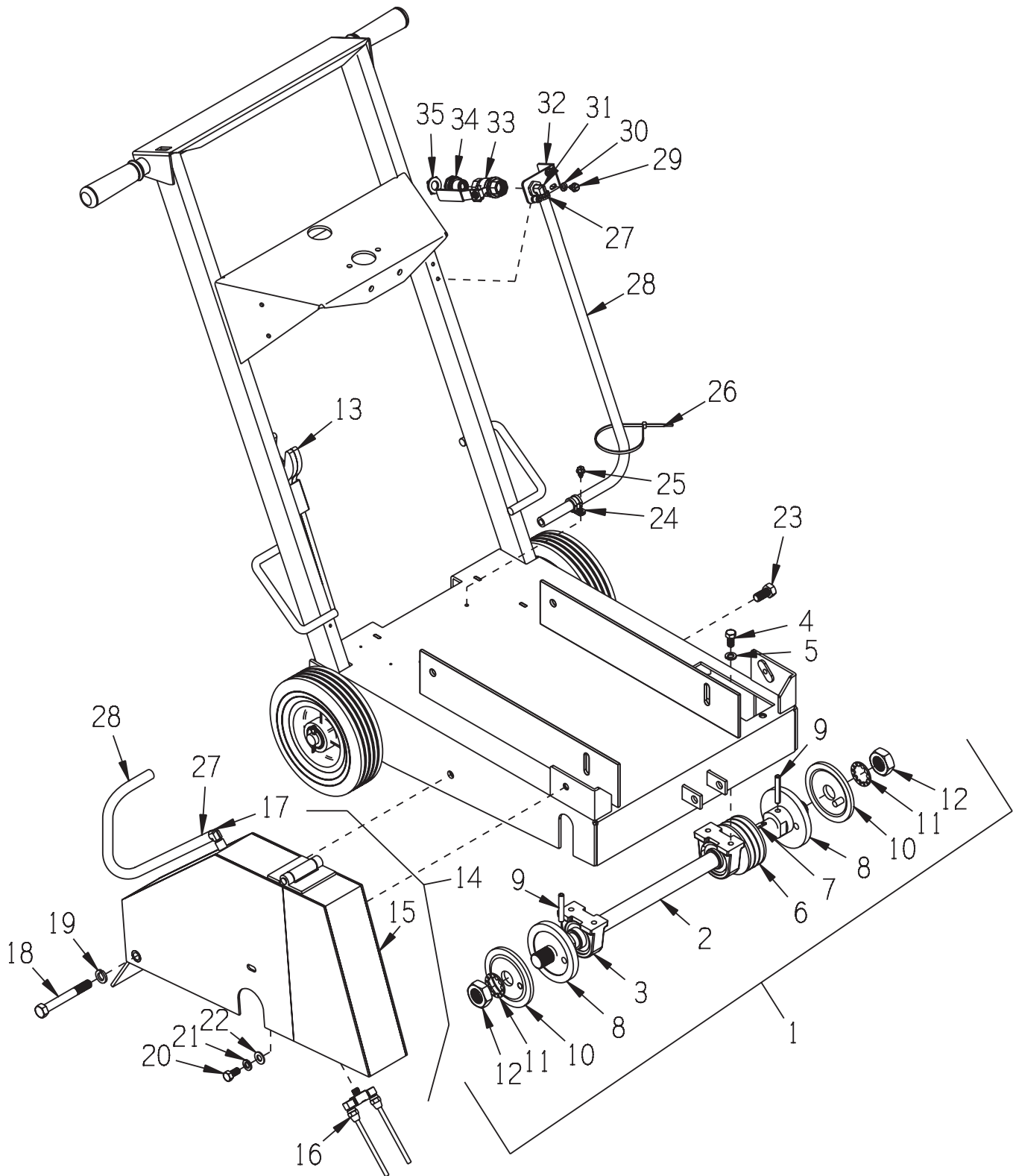
100 Thomas Johnson Drive, Frederick, MD 21702-4600 USA
 Phone (301) 663-1600 • 1-800-638-3326
 Fax (301) 663-1607 • 1-800-447-3326
 Website: www.edcoinc.com
 Email: sales@edcoinc.com

Printed in USA

©2007

Page 5

ILLUSTRATION 2: ARBOR & BLADE GUARD GROUPING



PARTS LISTING - ILLUSTRATION 2: ARBOR & BLADE GUARD GROUPING			
ITEM #	PART #	DESCRIPTION	QTY.
1	56320A	ARBOR ASSEMBLY COMPLETE (ITEMS 2-12)	1
2	56208	ARBOR SHAFT 23-3/8"L	1
3	50222	BEARING, BALL 1" TPB	2
4	10907	SCREW, CAP 3/8-16 X 3/4	4
5	10811	WASHER, LOCK 3/8	4
6	56235	SHEAVE 3.35"OD X 3GR.3V X 1"BORE	1
7	10071	KEY 1/4SQ X 2-1/2	1
8	56308	ARBOR BACKING PLATE 4-1/2"	2
9	10211	PIN, ROLL 5/16 X 2	2
10	56309	ARBOR BLADE CAP 4-1/2"	2
11	55009	WASHER, LOCK, INT. TOOTH 1"	2
12	50019	NUT, JAM 1-14	2
13	50445	WRENCH, ARBOR, 1-1/2" OPEN END	2
14	56306C	GUARD, BLADE 18", ASSY. COMPLETE (ITEMS15-17)	1
15	56306	BLADE GUARD 18"	1
16	51026	NOZZLE, COOLANT 1/8MPT W/ 6"TUBES	1
17	11562	BARB ELBOW 90, 3/8 HOSE X 1/8 MPT	1
18	81001	SCREW, CAP 1/2-13 X 4	1
19	10045	WASHER, LOCK 1/2	1
20	10907	SCREW, CAP 3/8-16 X 3/4	1
21	10811	WASHER, LOCK 3/8	1
22	10025	WASHER, FLAT 3/8 SAE	1
23	10914	SCREW, CAP 1/2-13 X 1	1
24	11565	CLAMP, LOOM, 5/8" (SAE SIZE 10)	1
25	10846	SCREW, CAP STSHW 1/4-20 X 1/2	1
26	10982	TIE, CABLE, BLACK NYLON 11-1/4"	1
27	50069	CLAMP, HOSE, SAE #6, ADJ. TO 13/16	2
28	56317	HOSE, WATER 3/8"ID X 48"L	1
29	10846	SCREW, CAP STSHW 1/4-20 X 1/2	2
30	10038	WASHER, LOCK 1/4	2
31	10799	BARB ELBOW 90, 3/8HOSE X 1/4MPT	1
32	56022	BRACKET, WATER VALVE	1
33	10711	VALVE, BALL 1/2 FPT	1
34	80021	CONN., SWIVEL FEM. 3/4HOSE X 1/2MPT	1
35	10070	WASHER, HOSE 3/4 (INCLUDED W/ ITEM 34)	1



A Division of Equipment Development Company, Inc.

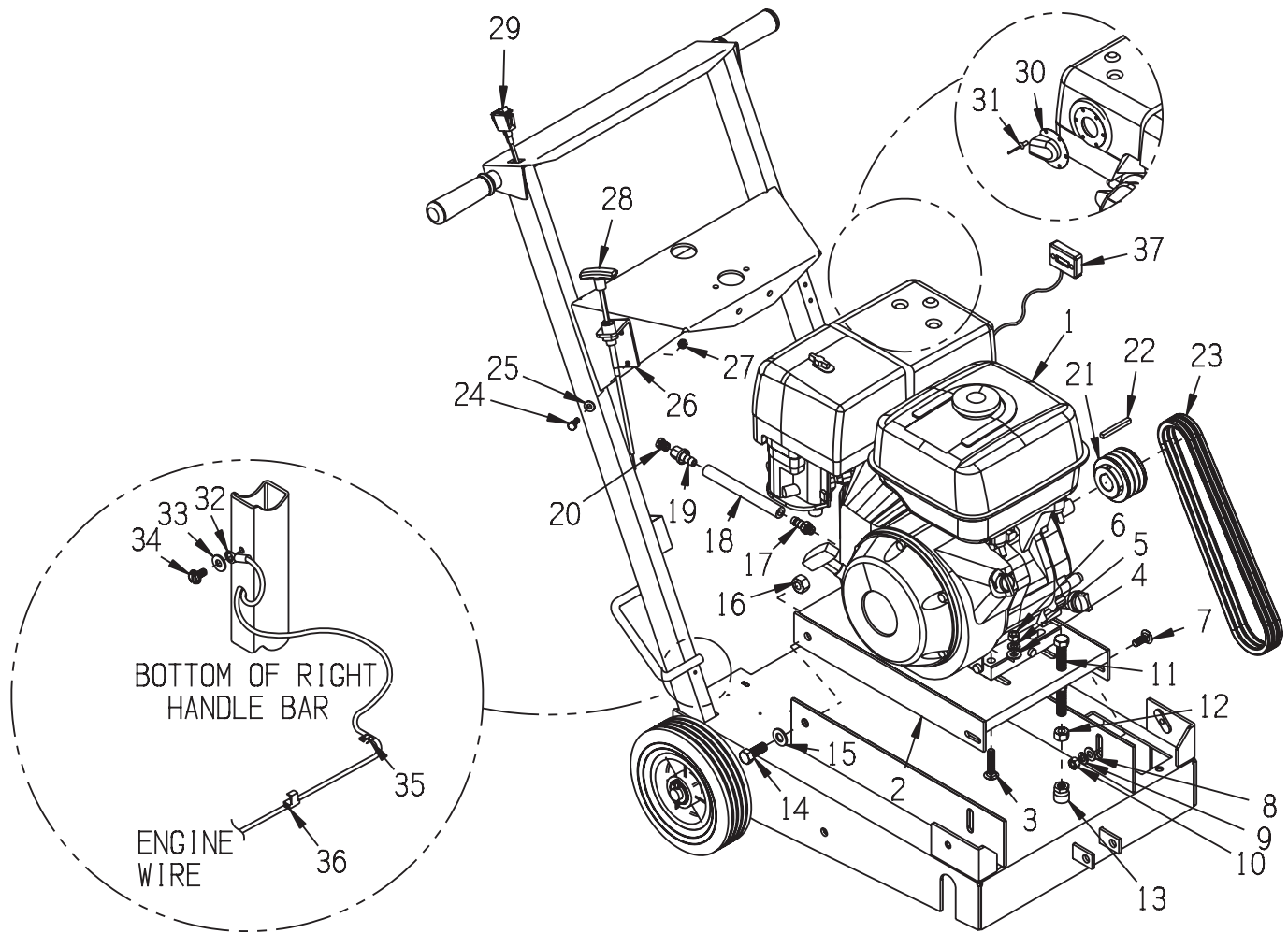
100 Thomas Johnson Drive, Frederick, MD 21702-4600 USA
 Phone (301) 663-1600 • 1-800-638-3326
 Fax (301) 663-1607 • 1-800-447-3326
 Website: www.edcoinc.com
 Email: sales@edcoinc.com

Printed in USA

©2007

Page 7

ILLUSTRATION 3: ENGINE GROUPING



PARTS LISTING - ILLUSTRATION 3: ENGINE GROUPING			
ITEM #	PART #	DESCRIPTION	QTY.
1	15029	ENGINE, HONDA 13 HP GX390-QXC9 CYC. A.C.	1
2	56212	MOUNT, ENGINE	1
3	10087	BOLT, CARRIAGE 3/8-16 X 1-3/4 F.T.	4
4	10025	WASHER, FLAT 3/8 SAE	4
5	10811	WASHER, LOCK 3/8	4
6	10404	NUT 3/8-16	4
7	10802	BOLT, CARRIAGE 3/8-16 X 1 FULL THD.	2
8	10025	WASHER, FLAT 3/8 SAE	2
9	10811	WASHER, LOCK 3/8	2
10	10404	NUT 3/8-16	2
11	10392	BOLT, TAP 1/2-13 X 4 (FULL THREAD)	1
12	10417	NUT 1/2-13	1
13	50710	TOGGLE PAD 7/8"D X 15/16"H X 1/2-13	1
14	10321	SCREW, CAP 1/2-20 X 1-1/4	2
15	10312	WASHER, FLAT 1/2 SAE	2
16	10154	NUT, HEX NYLON LOCK 1/2-20	2
17	11542	BARB, PUSH-ON 3/8HOSE X 12MM X 1.50	1
18	56226	HOSE, PUSH-ON 3/8"ID X 6"L	1
19	11544	BARB, PUSH-ON 3/8 HOSE X 1/4FPT	1
20	10776	PIPE PLUG 1/4 NPT (BRASS)	1
21	65238	SHEAVE 2.8"OD X 3GR.3V X 1"BORE	1
22	10307	KEY 1/4SQ X 2-1/4	1
23	10201	BELT 3VX-335	3
24	10018	SCREW, CAP 1/4-20 X 3/4	2
25	10602	WASHER, FLAT 1/4 SAE	2
26	64075	MOUNT BRKT., THROTTLE CABLE	1
27	10150	NUT, HEX NYLON LOCK 1/4-20	2
28	51081	CABLE, TURN-TO-LOCK CONTROL 72"	1
29	15201A	SWITCH W/ WIRES, ROCKER RED ON-OFF	1
30	10625	MUFFLER CAP, HONDA #18331-2E3-810	1
31	10128	RIVET, BLIND 1/8 X .250L X .262HD	2
32	50084	TERM., RING #10 16-14GA. INSULATED	1
33	10831	WASHER, LOCK, INT. TOOTH #10	1
34	10877	SCREW, CAP STSHW 10-24 X 1/2	1
35	36042	CLIP, NATURAL CORD, 1/8" X 1/4"	1
36	10970	CONN., WIRE QUICK-SPLICE 18-14 GA.	1
37	15138	METER, HOUR, REDINGTON INDUCTIVE (OPTIONAL)	



A Division of Equipment Development Company, Inc.

100 Thomas Johnson Drive, Frederick, MD 21702-4600 USA
 Phone (301) 663-1600 • 1-800-638-3326
 Fax (301) 663-1607 • 1-800-447-3326
 Website: www.edcoinc.com
 Email: sales@edcoinc.com

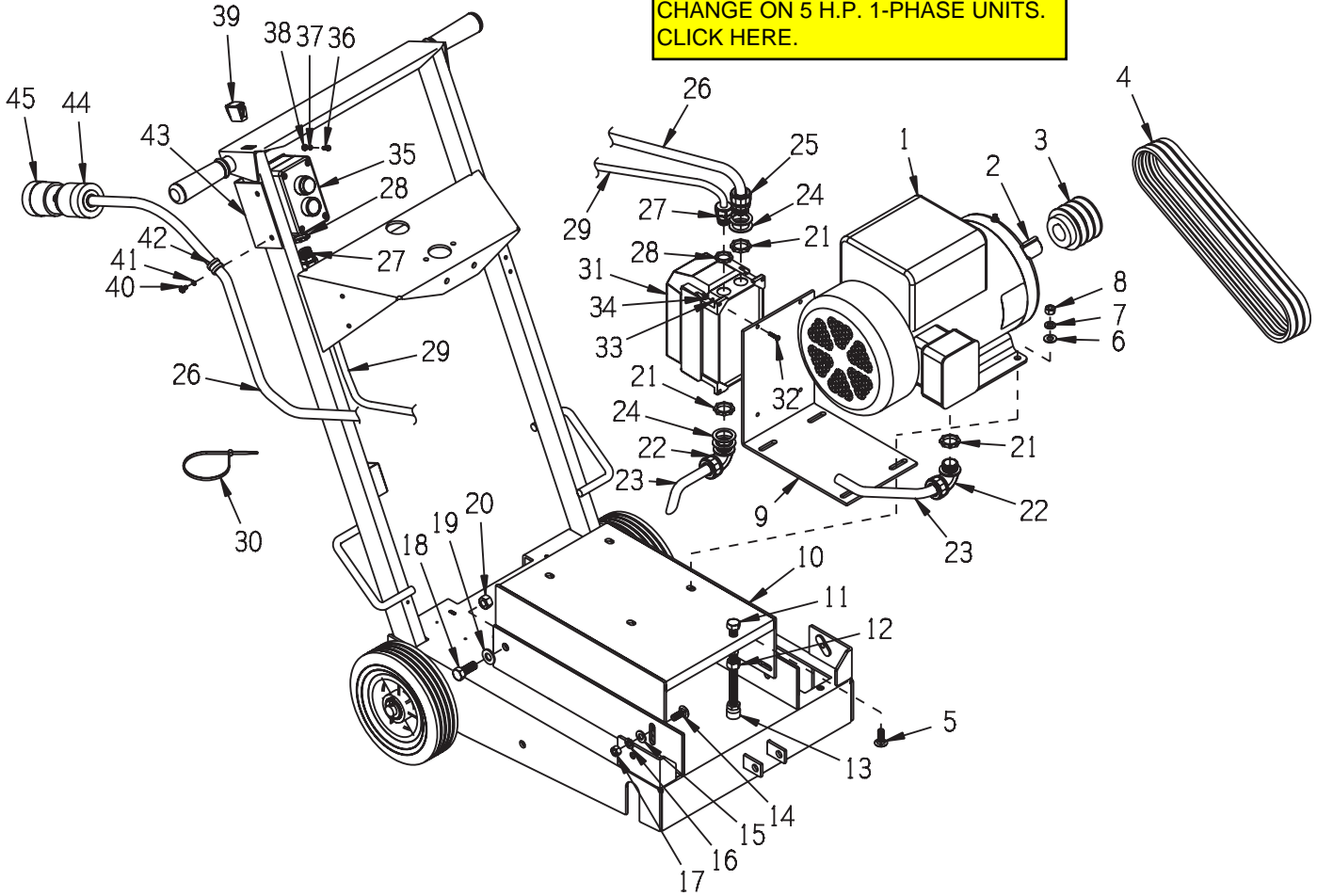
Printed in USA

©2007

Page 9

ILLUSTRATION 4: MOTOR GROUPING

EFFECTIVE OCT. 2008
 STARTING SERIAL # 081010203
 SEE PARTS BULLETIN FOR MOTOR
 CHANGE ON 5 H.P. 1-PHASE UNITS.
 CLICK HERE.



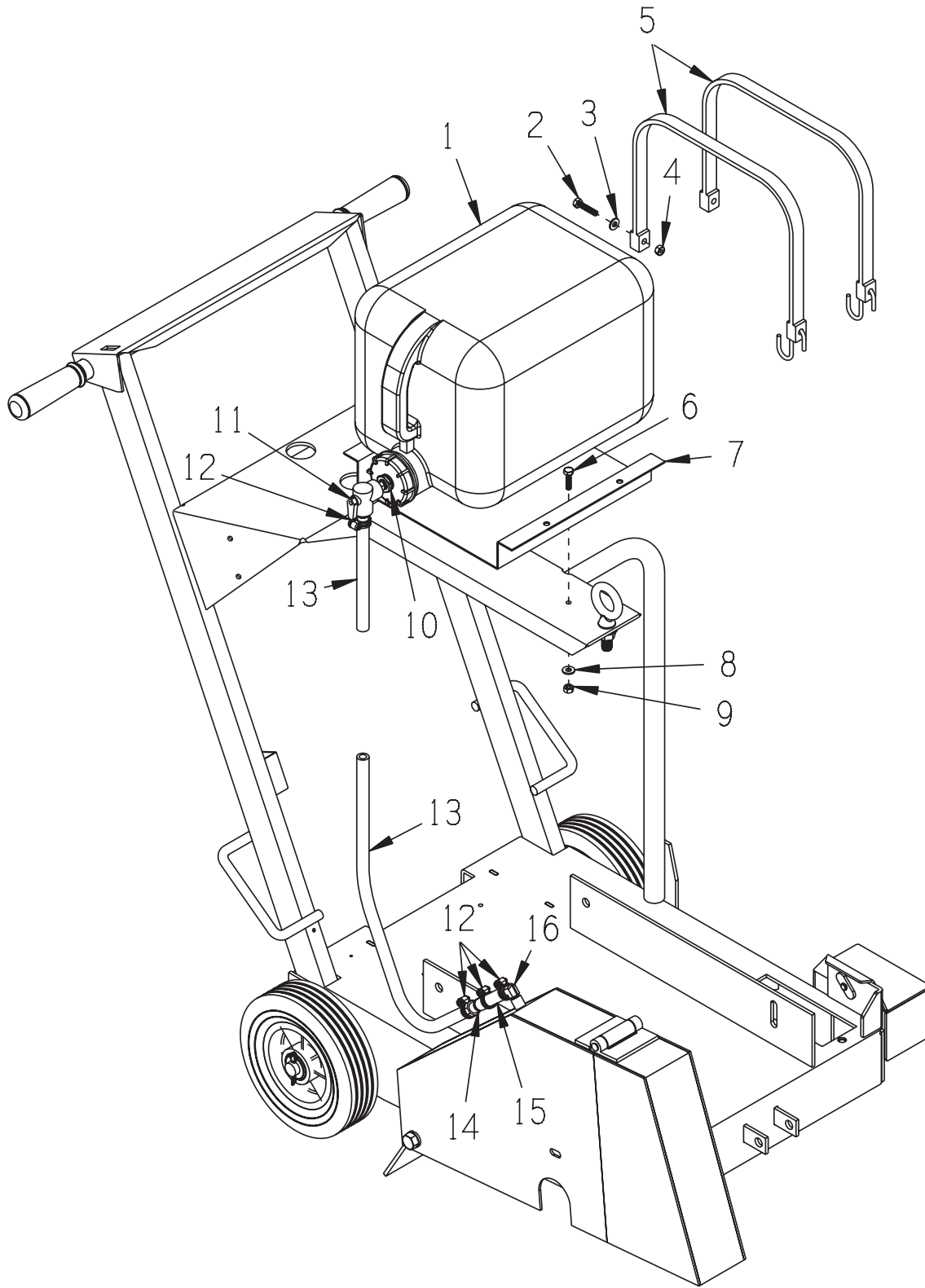
PARTS LISTING - ILLUSTRATION 4: MOTOR GROUPING			
ITEM #	PART #	DESCRIPTION	QTY.
1		MOTOR, 5 HP	1
	81026	BALDOR L3608T 1PH-60HZ-230V-3450RPM	
		L3608T REPLACEMENT PARTS:	
	16121	CAPACITOR, START 161-193 MFD 250V	2
	16164	CAPACITOR, RUN 40MFD 370V	1
	81022	BALDOR M3613T 3PH-60HZ-230/460V-3450RPM	
	16020	BALDOR M3613T 3PH-50HZ-220/380/440V-2850RPM	



PARTS LISTING CONT'D - ILLUSTRATION 4: MOTOR GROUPING

ITEM #	PART #	DESCRIPTION	QTY.
2	10071	KEY 1/4SQ X 2-1/2	1
3	56314	SHEAVE 2.8"OD X 3GR.3V X 1-1/8"BORE	1
4	10269	BELT 3VX-400	3
5	10802	BOLT, CARRIAGE 3/8-16 X 1 FULL THD.	4
6	10025	WASHER, FLAT 3/8 SAE	4
7	10811	WASHER, LOCK 3/8	4
8	10404	NUT 3/8-16	4
9	65087	MOUNT, STARTER	1
10	56313	MOUNT, MOTOR	1
11	51067	BOLT, ALLTHREAD ROD 1/2-13 X 7	1
12	10417	NUT 1/2-13	1
13	50710	TOGGLE PAD 7/8"D X 15/16"H X 1/2-13	1
14	10802	BOLT, CARRIAGE 3/8-16 X 1 FULL THD.	2
15	10025	WASHER, FLAT 3/8 SAE	2
16	10811	WASHER, LOCK 3/8	2
17	10404	NUT 3/8-16	2
18	10321	SCREW, CAP 1/2-20 X 1-1/4	2
19	10312	WASHER, FLAT 1/2 SAE	2
20	10154	NUT, HEX NYLON LOCK 1/2-20	2
21	10740	CONDUIT LOCK NUT 3/4 NP	3
22	10984	CONN., LIQUID TITE 90D X 3/4NPT	2
23		WIRE HARNESS, STARTER TO MOTOR	1
	65107	10/3 X 28"LOA (1 PHASE)	
	65108	10/4 X 28"LOA (3 PHASE)	
24	77081	WASHER, FLAT 1-1/2 X 1-1/16 X .06	4
25	10605	STRAIN RELIEF 3/4NPT X .650-.750"	1
26		WIRE HARNESS, STARTER TO POWER SOURCE	1
	65104	10/3 X 48"LOA (1 PHASE)	
	65105	10/4 X 48"LOA (3 PHASE)	
27	40066	STRAIN RELIEF 1/2NPT X .350-.450"	2
28	10790	CONDUIT LOCK NUT 1/2 NP	2
29	65106	WIRE HARNESS 16/4 x 36" LOA, STARTER TO SWITCH	1
30	10982	TIE, CABLE, BLACK NYLON 11-1/4"	1
31		LOVATO STARTER w/ BLUE RESET BUTTON	1
		SPECIFY VOLTAGE FOR 50 Hz	
	16454	1 PHASE-230V-60HZ, 11-M1-BRF-R30-26-23060	
	16457	3 PHASE-230V-60HZ, 11-M1-BRF-R23-15-23060	
	16458	3 PHASE-460V-60HZ, 11-M1-BRF-R14-10-46060	
32	10362	SCREW, MACHINE 8-32 X 3/4	4
33	10461	WASHER, LOCK, INT. TOOTH #8	4
34	10462	NUT, KEPS 8-32	4
35	16456	REMOTE SWITCH BOX COMPLETE	1
	16456-1	ENCLOSURE, LOVATO 2 BUTTON	1
	16456-2	ENCLOSURE BUTTON, GREEN FLUSH START	1
	16456-3	ENCLOSURE BUTTON, RED EXTENDED STOP	1
	16456-4	ENCLOSURE CONTACT, START GREEN N.O.	1
	16456-5	ENCLOSURE CONTACT, STOP RED N.C.	1
36	11663	SCREW, MACHINE 8-32 X 1/2	4
37	10461	WASHER, LOCK, INT. TOOTH #8	4
38	10462	NUT, KEPS 8-32	4
39	15204	PLUG, RECT. HOLE, PLASTIC SNAP-IN	1
40	10846	SCREW, CAP STSHW 1/4-20 X 1/2	2
41	10038	WASHER, LOCK 1/4	2
42	11565	CLAMP, LOOM, 5/8" (SAE SIZE 10)	1
43	65122	BRACKET, REMOTE SWITCH	1
44	40037	PLUG, LOCKING 20A/250V L6-20P (1 PHASE ONLY)	1
45	40000	CONNECTOR, LOCKING 20A/250V L6-20R (1 PHASE ONLY)	1

ILLUSTRATION 5: OPTIONAL WATER TANK ASSEMBLY
PART # 56310



PARTS LISTING - ILLUSTRATION 5: OPTIONAL WATER TANK ASSEMBLY

ITEM #	PART #	DESCRIPTION	QTY.
1	52031	DRUM, PLASTIC 5 GALLON, 3/4NPT CAP	1
2	10905	SCREW, CAP 1/4-20 X 1-1/4	2
3	10602	WASHER, FLAT 1/4 SAE	2
4	10150	NUT, HEX NYLON LOCK 1/4-20	2
5	52035	TIE-DOWN STRAP, MOLDED RUBBER 24"	2
6	10031	SCREW, CAP 1/4-20 X 1	2
7	56311	TRAY, WATER TANK	1
8	10602	WASHER, FLAT 1/4 SAE	2
9	10150	NUT, HEX NYLON LOCK 1/4-20	2
10	52034	BUSHING, HEX 3/4 X 1/4 NPT (BRASS)	1
11	56312	VALVE, BALL PVC 90°A 1/4MPT X BARB	1
12	50069	CLAMP, HOSE, SAE #6, ADJ. TO 13/16	4
13	56315	HOSE, WATER 3/8"ID X 24"L	1
14	11637	COUPLING, QUICK-DISCONNECT 3/8" SPL	1
15	56316	HOSE, WATER 3/8"ID X 2"L	1
16	11562	BARB ELBOW 90, 3/8 HOSE X 1/8 MPT	1



A Division of Equipment Development Company, Inc.

100 Thomas Johnson Drive, Frederick, MD 21702-4600 USA
 Phone (301) 663-1600 • 1-800-638-3326
 Fax (301) 663-1607 • 1-800-447-3326
 Website: www.edcoinc.com
 Email: sales@edcoinc.com

Printed in USA

©2007

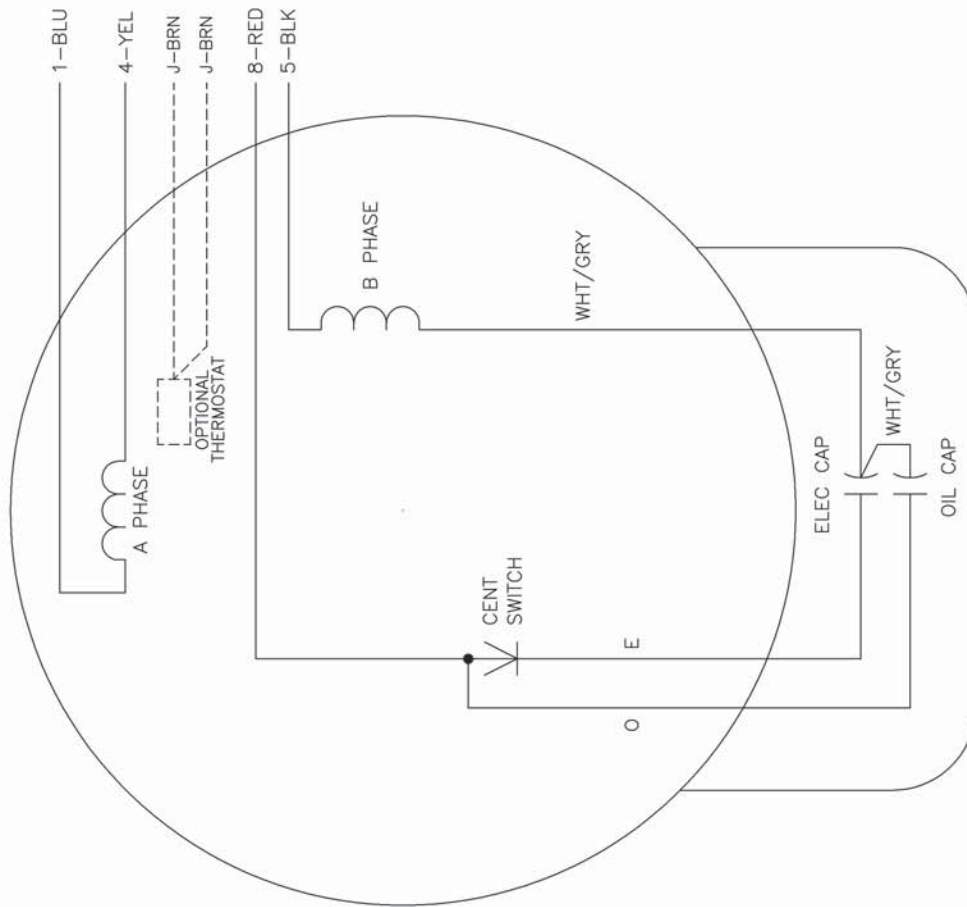
Page 13

WIRING DIAGRAM FOR ELECTRIC UNITS - BALDOR L3608T 5HP 1PHASE-60HZ

CD0017A02

CD0017A02

	LINE A	LINE B
STD	1,8	4,5
OPP	1,5	4,8



NOTES:

1. STANDARD ROTATION IS CCW FACING END OPPOSITE SHAFT EXTENSION.
2. OPTIONAL THERMOSTAT IS PROVIDED WHEN SPECIFIED.
3. MULTIPLE CAPACITORS ARE CONNECTED IN PARALLEL UNLESS OTHERWISE SPECIFIED.
4. LEAD COLORS ARE OPTIONAL. LEADS MUST ALWAYS BE NUMBERED AS SHOWN.

BALDOR ELECTRIC Co.

TYPE LC, SV, REV, 4 LEADS

REV. DESC: REVISE TO SHOW OPTIONAL COLORS

REV. LTR: B BY: JLP REVISED: 04/09/99 11:30 TDR: 0178636

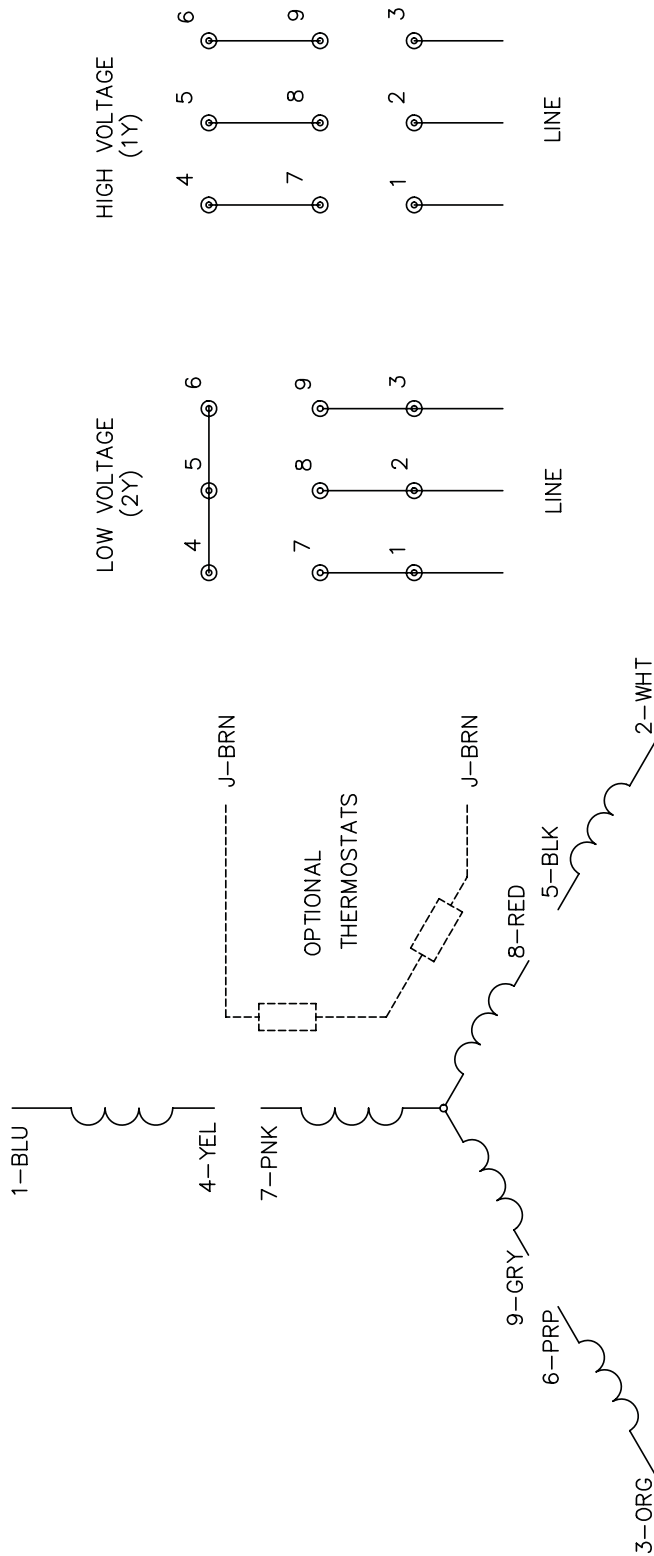
FILE: AAA00007514 MDL: -

CD0017A02 MTL: -

WIRING DIAGRAM FOR ELECTRIC UNITS - BALDOR M3613T 5HP 3PHASE-60HZ

CD0005

CD0005



NOTES:

1. INTERCHANGE ANY TWO LINE LEADS TO REVERSE ROTATION.
2. OPTIONAL THERMOSTATS ARE PROVIDED WHEN SPECIFIED.
3. ACTUAL NUMBER OF INTERNAL PARALLEL CIRCUITS MAY BE A MULTIPLE OF THOSE SHOWN ABOVE.
4. LEAD COLORS ARE OPTIONAL. LEADS MUST ALWAYS BE NUMBERED AS SHOWN.

REV. DESC: REVISE TO SHOW OPTIONAL COLORS

REV. LTR: E BY: JLP REVISED: 01/19/99 10:15 TDR: 0171435

FILE: AAA00005140 MDL: -

500000 MTL: -

BALDOR ELECTRIC Co.

3PH, DV, 9 LEADS



A Division of Equipment Development Company, Inc.

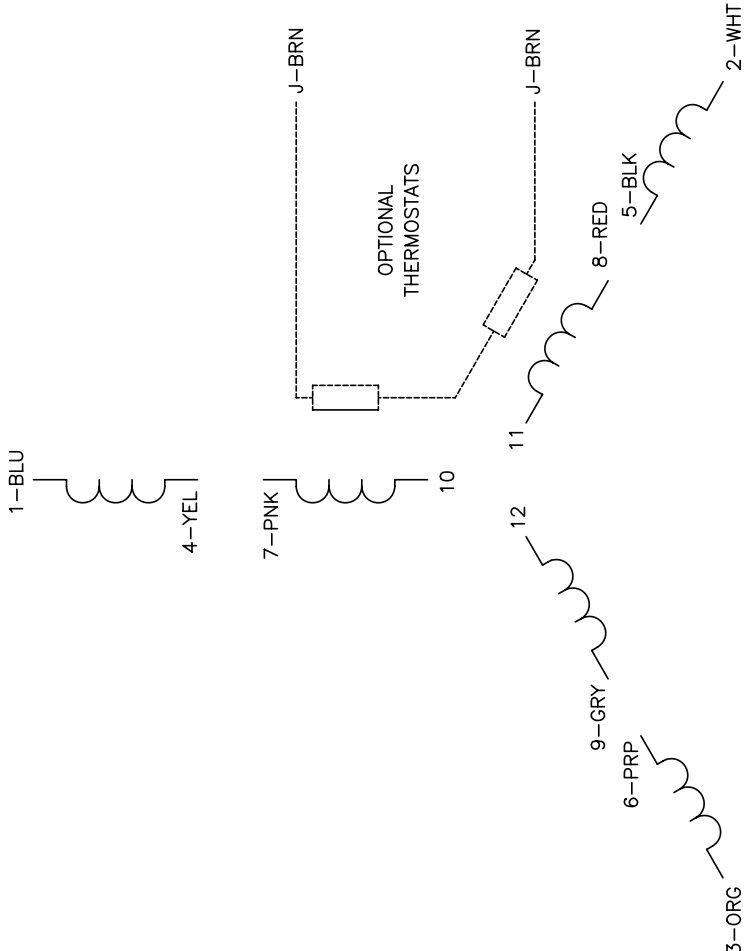
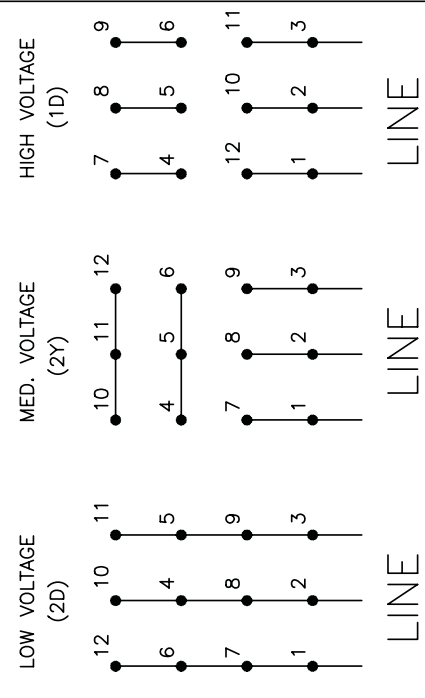
100 Thomas Johnson Drive, Frederick, MD 21702-4600 USA
 Phone (301) 663-1600 • 1-800-638-3326
 Fax (301) 663-1607 • 1-800-447-3326
 Website: www.edcoinc.com
 Email: sales@edcoinc.com

Printed in USA

©2007

WIRING DIAGRAM FOR ELECTRIC UNITS - BALDOR M3613T-50 5HP 3PHASE-50HZ

CD0044



NOTES:

1. INTERCHANGE ANY TWO LINE LEADS TO REVERSE ROTATION.
2. OPTIONAL THERMOSTATS ARE PROVIDED WHEN SPECIFIED.
3. ACTUAL NUMBER OF INTERNAL PARALLEL CIRCUITS MAY BE A MULTIPLE OF THOSE SHOWN ABOVE.
4. LEAD COLORS ARE OPTIONAL. LEADS MUST ALWAYS BE NUMBERED AS SHOWN.

CD0044

BALDOR ELECTRIC Co.

3PH, TV, 12 LEADS, 2D/2Y/1D

REV. DESC: REVISE TO SHOW OPTIONAL COLORS

REV. LTR: G BY: JLP REVISED: 01/19/99 4:09 TDR: 0171435

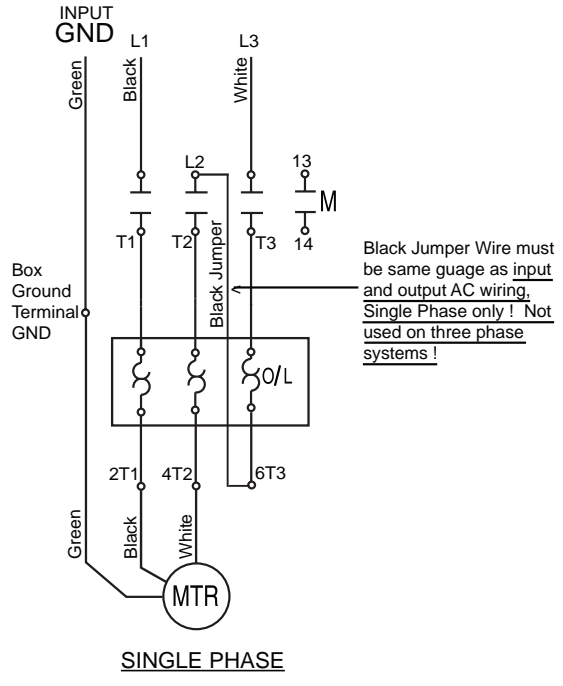
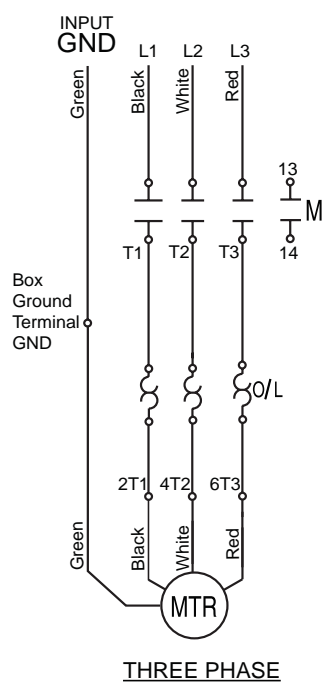
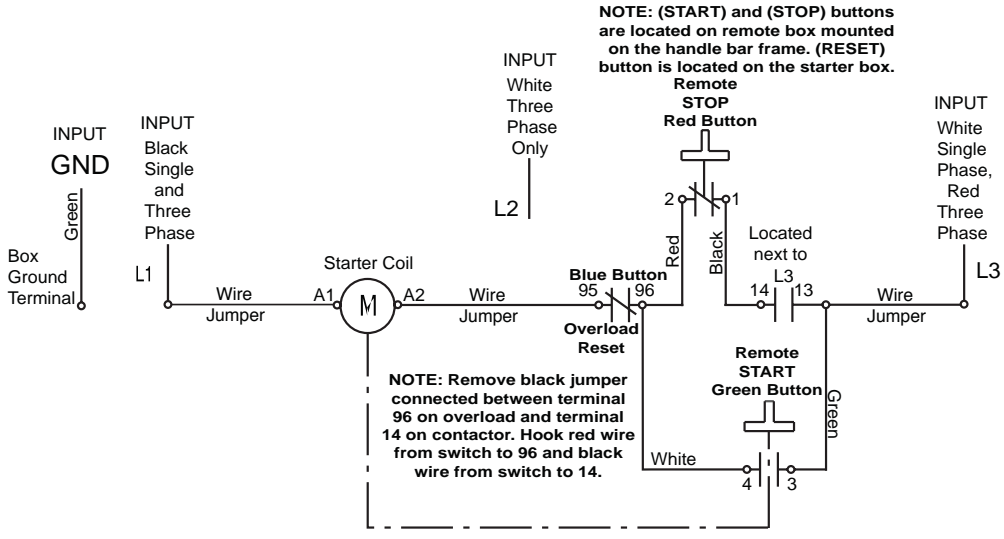
FILE: AAA00008373 MDL: -

MTL: -

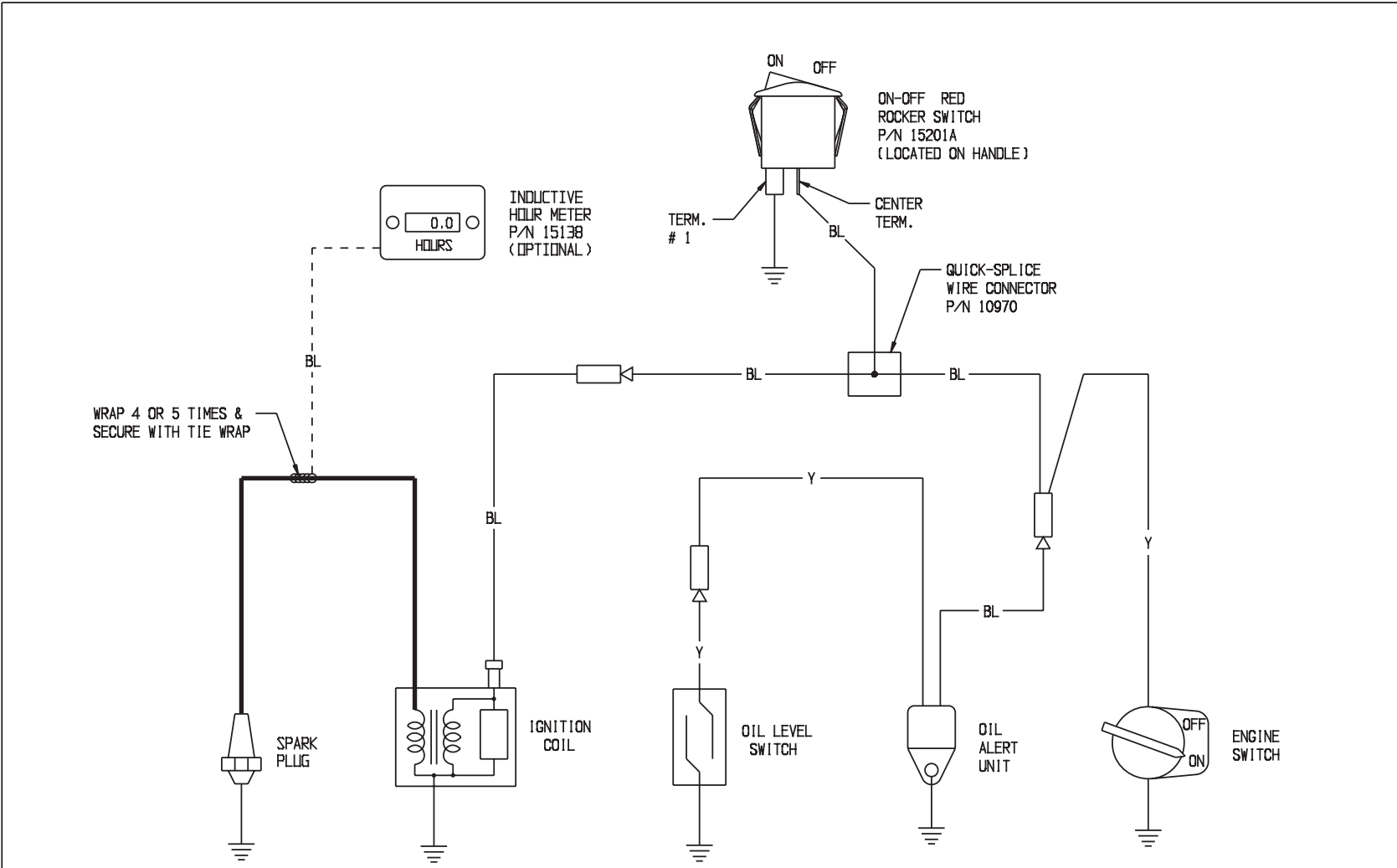
CD0044



WIRING DIAGRAM FOR STARTER & REMOTE SWITCH



WIRING DIAGRAM FOR HONDA ENGINE



WRAP 4 OR 5 TIMES &
SECURE WITH TIE WRAP

COLOR CODES
BL = BLACK
Y = YELLOW

THIS DIAGRAM IS USED FOR UNITS
THAT HAVE THE RECOIL STARTER &
THE ROCKER STYLE "ON-OFF" SWITCH

LTR.	REVISIONS	DATE	BY

UNLESS OTHERWISE SPECIFIED
DIMENSIONS ARE IN INCHES
AND TOLERANCES ARE:
FRACTIONS +/- 1/64
DECIMALS +/- .005
ANGLES +/- 1/2°

THE INFORMATION CONTAINED IN
THIS DRAWING IS PROPRIETARY
WITH EDCO AND MAY NOT BE
USED OR REPRODUCED WITHOUT
WRITTEN CONSENT.

EQUIPMENT DEVELOPMENT CO., INC.			
MODEL(S)	MISC	PART #	
TITLE			
WIRING DIAGRAM FOR HONDA ENGINE			
MATERIAL		DWG. REV.	
DWN. BY	JMA	DATE	10/11/07
CHK. BY		PLOT SCALE	FULL
		DWG. #	17785
		DWG. SIZE	C



PAGE LEFT BLANK INTENTIONALLY



A Division of Equipment Development Company, Inc.

100 Thomas Johnson Drive, Frederick, MD 21702-4600 USA
Phone (301) 663-1600 • 1-800-638-3326
Fax (301) 663-1607 • 1-800-447-3326
Website: www.edcoinc.com
Email: sales@edcoinc.com

Printed in USA

©2007

Page 19

LIMITED EQUIPMENT WARRANTY OF SALE – TERMS & CONDITIONS

Equipment Development Company, Inc. herein referred to as EDCO (Seller) warrants that each new unit manufactured by EDCO to be free from defects in material and workmanship in normal use and service for a period of (1) one year (except for the cutter drum assembly on all model concrete/asphalt planes, in which case the warranty period shall be 90 days) from date of shipment to the original retail or equipment rental center owner.

Accessories or equipment furnished and installed on the product by EDCO but manufactured by others, including, but not limited to engines, motors, electrical components, transmissions etc., shall carry the accessory manufacturers own warranty.

EDCO will, at its option, repair or replace, at the EDCO factory or at a point designated by EDCO, any part which shall appear to the satisfaction of EDCO inspection to have been defective in material or workmanship.

EDCO reserves the right to modify, alter and improve any part or parts without incurring any obligation to replace any part or parts previously sold without such modified, altered or improved part or parts.

This warranty is in lieu of and excludes all other warranties, expressed, implied, statutory, or otherwise created under applicable law including, but not limited to the warranty of merchantability and the warranty of fitness for a particular purpose in no event shall seller or the manufacturer of the product be liable for special, incidental, or consequential damages, including loss of profits, whether or not caused by or resulting from the negligence of seller and/or the manufacturer of the product unless specifically provided herein. In addition, this warranty shall not apply to any products or portions thereof of which have been subjected to abuse, misuse, improper installation, maintenance, or operation, electrical failure or abnormal conditions and to products which have been tampered with, altered, modified, repaired, reworked by anyone not approved by seller or used in any manner inconsistent with the provisions of the above or any instructions or specifications provided with or for the product

FORCE MAJEURE

Seller's obligation hereunder are subject to, and Seller shall not be held responsible for, any delay or failure to make delivery of all or any part of the Product due to labor difficulties, fires, casualties, accidents, acts of the elements, acts of God, transportation difficulties, delays by a common carrier, inability to obtain Product, materials or components or qualified labor sufficient to timely perform part of or all of the obligations contained in these terms and conditions, governmental regulations or actions, strikes, damage to or destruction in whole or part of manufacturing plant, riots, terrorist attacks or incidents, civil commotions, warlike conditions, flood, tidal waves, typhoon, hurricane, earthquake, lightning, explosion or any other causes, contingencies or circumstances within or without the United States not subject to the Seller's control which prevent or hinder the manufacture or delivery of the Products or make the fulfillment of these terms and conditions impracticable. In the event of the occurrence of any of the foregoing, at the option of Seller, Seller shall be excused from the performance under these Terms and Conditions, or the performance of the Seller shall be correspondingly extended.

This document sets forth the terms and conditions pursuant to which the purchaser ("Purchaser") will purchase and Equipment Development Co. Inc. ("Seller") will sell the products, accessories, attachments (collectively the Products) ordered by the Purchaser. These terms and conditions shall govern and apply to the sale of Seller's Products to Purchaser, regardless of any terms and conditions appearing on any purchase order or other forms submitted by Purchaser to Seller, or the inconsistency of any terms therein and herein.

1. PRICE

All prices set forth on any purchase order or other document are F.O.B. Seller's facility or distribution point, as may be determined by Seller (F.O.B. Point). All prices are exclusive of any and all taxes, including, but not limited to, excise, sales, use, property or transportation taxes related to the sale or use of the Products, now or hereafter imposed, together with all penalties and expenses. Purchaser shall be responsible for collecting and/or paying any and all such taxes, whether or not they are stated in any invoice for the Products. Unless otherwise specified herein, all prices are exclusive of inland transportation, freight, insurance and other costs and expenses relating to the shipment of the Products from the F.O.B. point to Purchaser's facility. Any prepayment by Seller of freight insurance and other costs shall be for the account of Purchaser and shall be repaid to Seller.

2. PAYMENT TERMS

Payment terms are as follows. 2% 10 days (to approved and qualified accounts). Net 30 days. This is a cash discount for invoices paid within 10 days after the invoice date, regardless of date of receipt of shipment. This is not a trade discount and will not be granted to accounts that do not adhere to stated terms.

*All past due accounts are subject to a late payment fee of 1.5% per month or a maximum allowed by law if different, along with the expenses incidental to collection including reasonable attorney's fees and costs.

*Seller reserves the right to hold shipments against past due accounts.

*Seller reserves the right to alter payment terms.

3. FREIGHT TERMS

All shipments will be made F.O.B. shipping point as designated in these Terms and Conditions, and title shall pass at the F.O.B. point. Delivery to the initial common carrier shall constitute delivery to the Purchaser. Any claims for loss or damage during shipment are to be filed with carrier by the Purchaser. Seller will not assume responsibility for the performance of the carrier.

Back orders will be shipped in the most practical fashion with charges consistent with our freight policy established with the original order. UPS, FED EX, MAIL or shipments by other couriers are subject to the same terms and conditions as outlined in paragraph #3 "Freight Terms".

4. DELIVERY, DAMAGES, SHORTAGES

Seller shall use reasonable efforts to attempt to cause the Products to be delivered as provided for in these Terms & Conditions. Delivery to the initial common carrier shall constitute the delivery to the Purchaser. Seller's responsibility, in so far as transportation risks are concerned ceases upon the delivery of the Products in good condition to such carrier at the F.O.B. point and all the Products shall be shipped at the Purchaser's risk. Seller shall not be responsible or liable for any loss of income and/or profits, or incidental, special, consequential damages resulting from Seller's delayed performance in shipment and delivery.

5. RETURN OF DEFECTIVE PRODUCTS

Defective or failed material shall be held at the Purchaser's premises until authorization has been granted by Seller to return or dispose of Products. Products that are to be returned for final inspection must be returned Freight Prepaid in the most economical way. Credit will be issued for material found to be defective upon Seller's inspection based on prices at time of purchase.

6. PRODUCTS ORDERED IN ERROR

Products may be returned, provided that claim is made and Seller is notified within 7 days of receipt of Products, and the Products are in original buyer's possession not more than 30 days prior to return, subject to Seller's approval. If Products are accepted for return, they must be Freight Prepaid and buyer will be charged a minimum of 15% rehandling charge, plus a charge back for outbound freight charges if the original order was shipped prepaid. Returns are not accepted for any Products that are specifically manufactured to meet the buyer's requirement of either specifications or quantity.

AGREEMENTS

These Terms and Conditions constitute the entire agreement between Seller and Purchaser as it relates to terms and conditions of sale, and supersedes any and all prior oral or written agreements, correspondence, quotations or understandings heretofore in force between the parties relating to the subject matter hereof. There are no agreements between Seller and Purchaser with respect to the Product herein except those specifically set forth in and made part of these terms and conditions. Any additional terms, conditions and/or prices are rejected by Seller.

These terms and conditions may be modified, cancelled or rescinded only by a written agreement of both parties executed by their duly authorized agents.

USE ONLY GENUINE EDCO PARTS & ACCESSORIES
For your own safety, the safety of others and the life of your machine.



A Division of Equipment Development Company, Inc.

PARTS BULLETIN

MOTOR TYPE CHANGE ON 5 H.P. 1-PHASE ELECTRIC EQUIPMENT EFFECTIVE OCT. 2008, STARTING W/ S/N 081010202

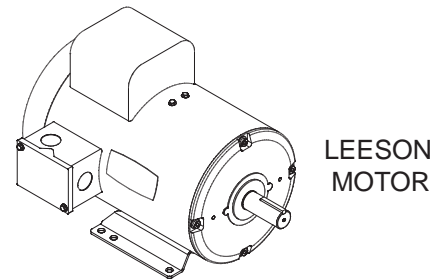
Leeson Motor (Cat. No. 131549) replaces Baldor (Cat. No. L3608T) on the following Equipment:

- CPM8 Scarifier/Planer
- TG10 Turbo Grinder
- 4EC Concrete Floor Grinder
- DS18 Walk Behind Saw
- SB14 Walk Behind Saw
- C10 Crack Saw
- MS20 Masonry Saw

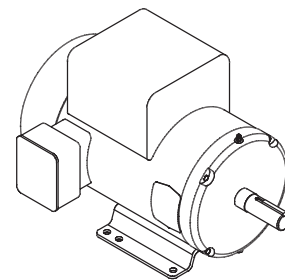
The Model Suffix for this Power Option will be 5L/230/1 (5HP Leeson/230 Volt/Single Phase).

Example: CPM8-5L/230/1

SPECIFICATION CHART		
	LEESON Cat. No. 131549	BALDOR Cat. No. L3608T
Part Number	16069	81026
Horse Power	5	5
Phase	1	1
Hertz	60	60
Volts	230	230
Full Load Amps	19.8	19.5
RPM	3500	3450
Frame	184T	184T
Shaft	1-1/8"	1-1/8"
Weight	93 Lbs.	86 Lbs.



LEESON MOTOR



BALDOR MOTOR

REPLACEMENT CAPACITORS FOR LEESON MOTOR:

PART # 16521 - START CAPACITOR, LEESON 003049.04 390MFD 250V

PART # 16522 - RUN CAPACITOR, LEESON 003050.05 45MFD 370V

See the reverse side of this page for the Wiring Diagrams for these Motors.

