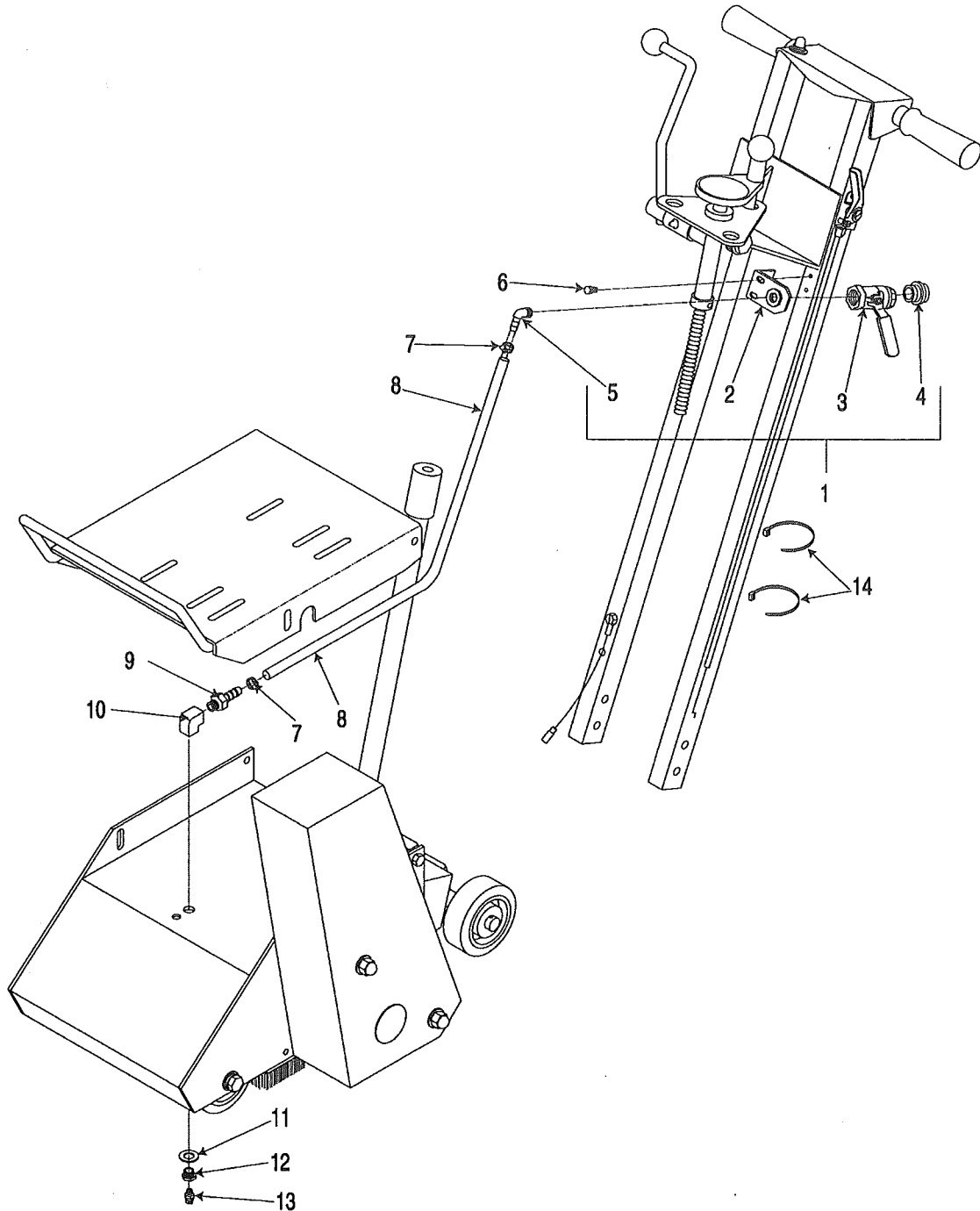


# PARTS LIST ADDENDUM



**CPM-8 Water Mist System  
Kit Part No. 65080**



100 Thomas Johnson Drive, Frederick, MD 21702-4600 USA  
Phone (301) 663-1600 1-800-638-3326  
Fax (301) 663-1607 1-800-447-3326  
Website: [www.edcoinc.com](http://www.edcoinc.com) Email: [sales@edcoinc.com](mailto:sales@edcoinc.com)

Printed in USA  
©2001

## PARTS LISTING : CPM-8 WATER MIST SYSTEM

ITEM#	PART#	DESCRIPTION	QTY.
1	56022A	VALVE SUBASSY. w/ BRACKET ( INCLUDES ITEMS 2 THRU 5 )	1
2	56022	BRACKET, WATER VALVE	1
3	10711	VALVE, BALL 1/2 FPT	1
4	80021	CONN., SWIVEL FEMALE 3/4 HOSE x 1/2 MPT ( INCLUDES HOSE WASHER )	1
5	10799	BARB ELBOW 90, 3/8 HOSE x 1/4 MPT	1
6	10877	SCREW, SELF-TAP HEX WASHER 10-24 x 1/2	2
7	50069	CLAMP, HOSE, SIZE M6, ADJ. TO 13/16	2
8	65081	HOSE, WATER 3/8 ID x 34 L	1
9	50075	BARB, 3/8 HOSE x 1/4 MPT	1
10	10707	ELBOW, FEMALE 1/4 NPT x 90 (BRASS)	1
11	10040	WASHER, GARRET 1 OD x 17/32 ID	1
12	10718	BUSHING, HEX 1/4 x 1/8 NPT (BRASS)	1
13	11563	NOZZLE, SPRAY 1/8 MPT (H1/8VV 2501)	1
14	10982	TIE, CABLE, BLACK NYLON 11-1/4	2