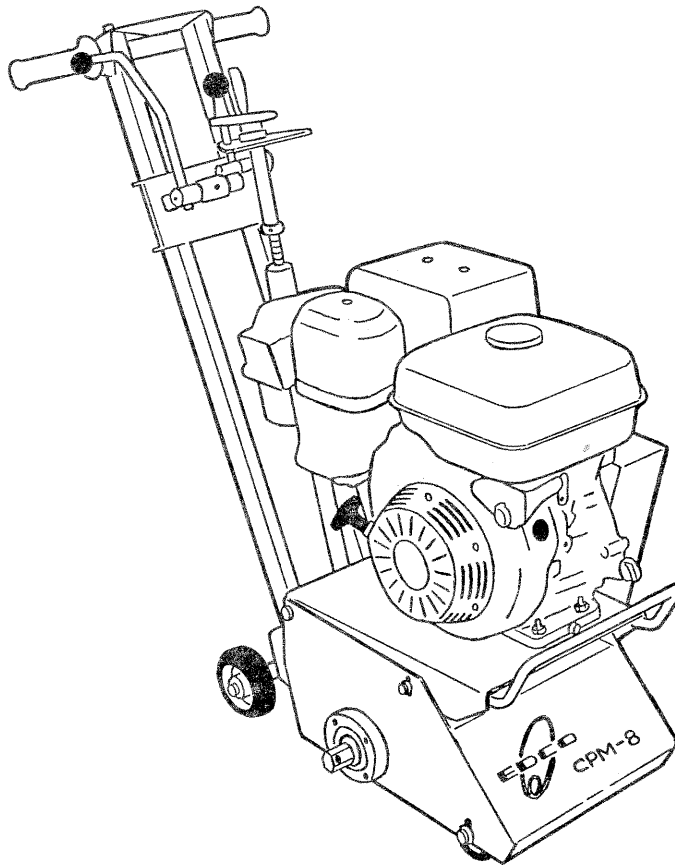


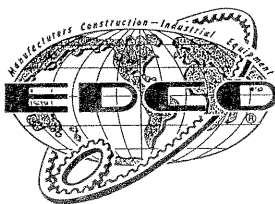
REVISED FEBRUARY 1994
STARTING SERIAL #9353

COMPACT PLANER

PARTS LIST MANUAL



Model CPM-8



EQUIPMENT DEVELOPMENT COMPANY, INC.

100 THOMAS JOHNSON DRIVE, FREDERICK, MARYLAND 21702-4305 USA

PHONE (301)663-1600

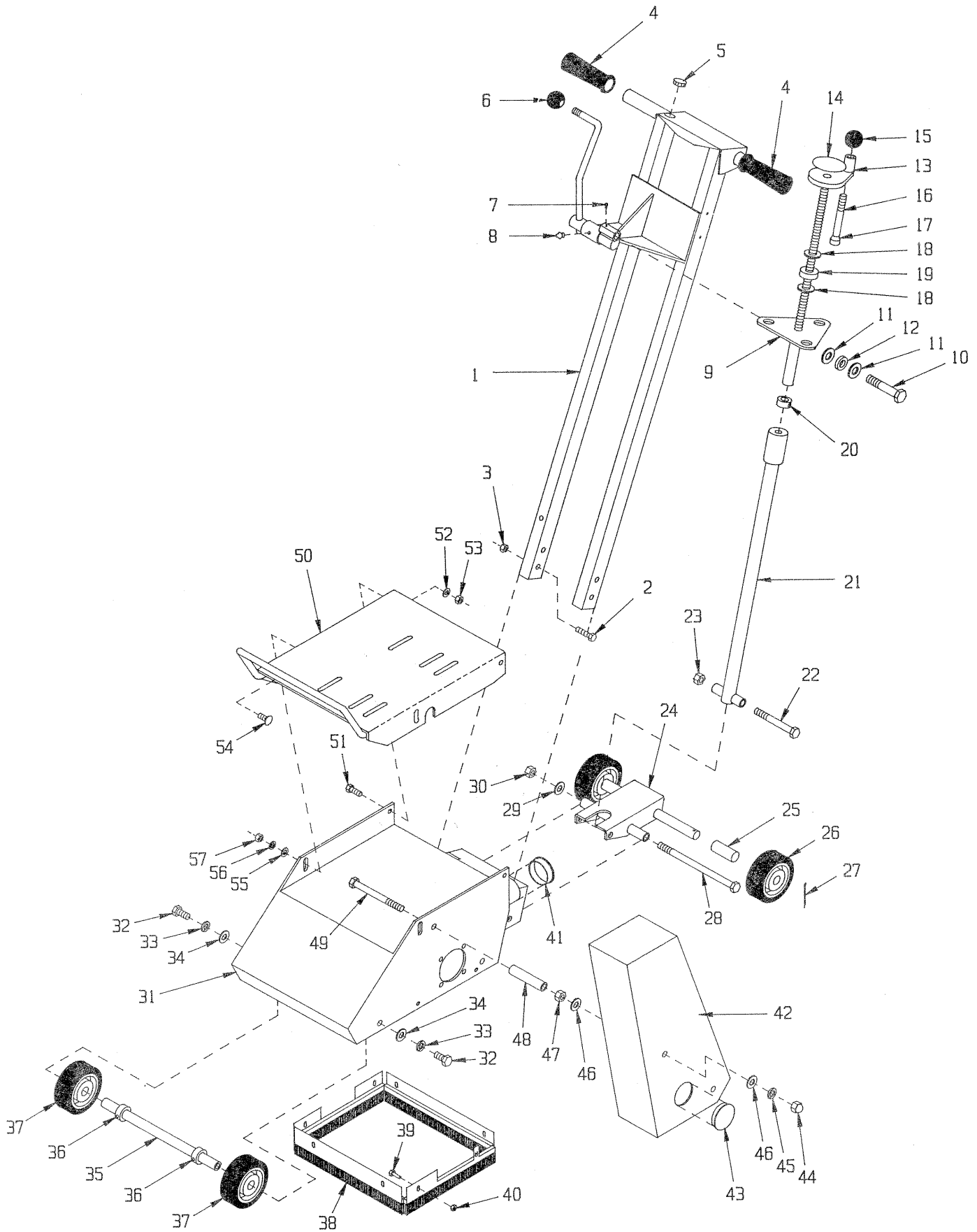
TOLL FREE 1-800-638-3326

FAX (301)663-1607

FAX FREE 1-800-447-3326

PRINTED IN U.S.A.

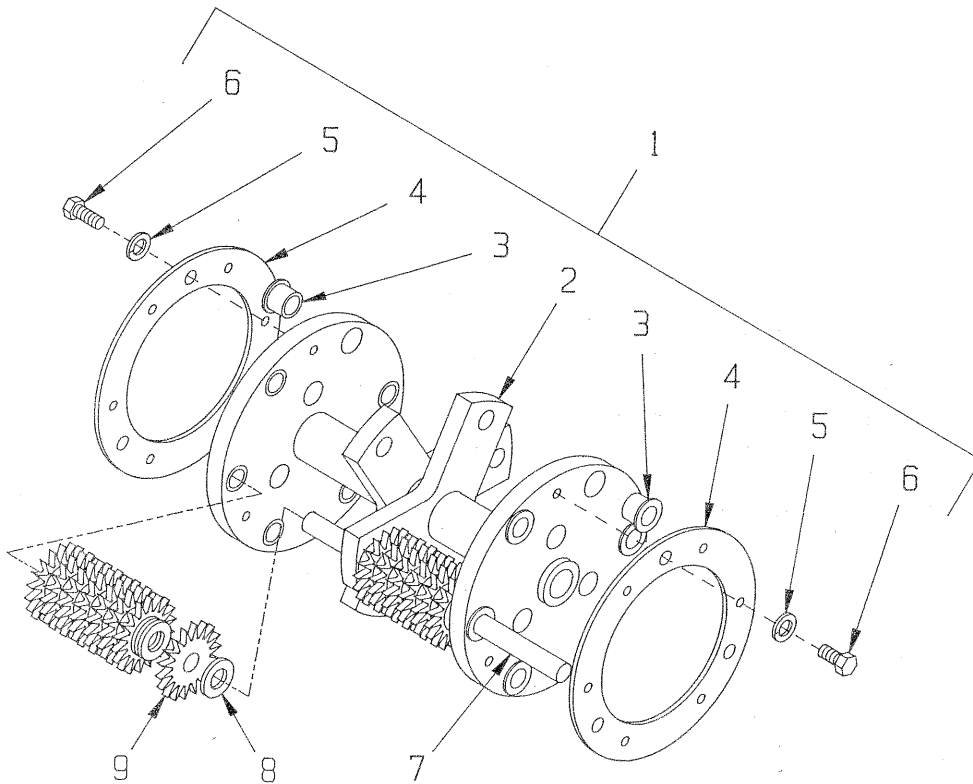
ILLUSTRATION 1: FRAME ASSEMBLY



PARTS LISTING - ILLUSTRATION 1: FRAME ASSEMBLY

Item #	Part #	Description	Qty.
1	65009	Handle Bar	1
2	10816	Screw, Cap 3/8-24 x 1-1/2	4
3	10004	Nut, Lock 3/8-24	4
4	10608	Grip, Hand 1" Model AT	2
5	10005	Plug, Hole 7/8" (Elec. Models Only)	1
6	14023	Knob, Ball 1-3/8"Dia. w/ 1/2-13 Thd.	1
7	10127	Screw, Drive 1/8	1
8	10808	Fitting, Grease 1/4-28 Straight	1
9	65007	Linkage Support, Upper	1
10	10359	Screw, Cap 5/8-11 x 3-1/4	1
11	10073	Washer, Flat 5/8	2
12	79035	Bushing, Rubber 5/8"ID x 1/4"Thk.	1
13	65019	Handwheel, Small w/ 5/8-8 x 13"Rod	1
14	80007	Decal, "Cut Control" (Small)	1
15	14023	Knob, Ball 1-3/8"Dia. w/ 1/2-13 Thd.	1
16	10346	Screw, Skt. Hd. Cap 1/2-13 x 4-1/2	1
17	50550	Sleeve for 1/2"Capscrew, Tapered	1
18	10073	Washer, Flat 5/8	2
19	85005	Bearing, Ball 5/8"ID x 1-1/2"OD	1
20	10096	Collar, Locking 5/8	1
21	65006	Linkage, Lower	1
22	10339	Screw, Cap 1/2-20 x 4	1
23	10205	Nut, Lock 1/2-20	1
24	65004	Fork	1
25	65005	Spacer, Rear Wheel 2-3/16"	2
26	52001	Wheel, Alum. 4 x 1-1/2 x 3/4"Brg.	2
27	10306	Pin, Cotter 3/16 x 1-1/2	2
28	65015	Screw, Cap 1/2-13 x 8	1
29	10312	Washer, Flat 1/2	1
30	10407	Nut, Lock 1/2-13	1
31	65001	Main Frame	1
32	10304	Screw, Cap 1/2-20 x 1	2
33	10045	Washer, Lock 1/2	2
34	10312	Washer, Flat 1/2	2
35	65014	Axle Shaft, Front	1
36	10428	Collar, Locking 3/4	2
37	52001	Wheel, Alum. 4 x 1-1/2 x 3/4"Brg.	2
38	65036	Brushes (Set of 4)	1
39	10834	Screw, Cap 1/4-20 x 1/2	8
40	10861	Nut, Keps 1/4-20	8
41	65021	Plug, Cap 2"	1
42	65003	Cover, Belt	1
43	65022	Plug, Hole 2"	1
44	10422	Nut, Acorn 1/2-20	2
45	10045	Washer, Lock 1/2	2
46	10312	Washer, Flat 1/2	6
47	10072	Nut 1/2-20	2
48	65016	Spacer Tube 1/2"ID x 3-7/16"L	2
49	65017	Screw, Cap 1/2-20 x 5	2
50	65002	Mount, Engine/Motor	1
51	10021	Screw, Cap 3/8-24 x 1	2
52	10025	Washer, Flat 3/8	4
53	10004	Nut, Lock 3/8-24	2
54	10802	Bolt, Carriage 3/8-16 x 1	2
55	10025	Washer, Flat 3/8	2
56	10811	Washer, Lock 3/8	2
57	10404	Nut 3/8-16	2

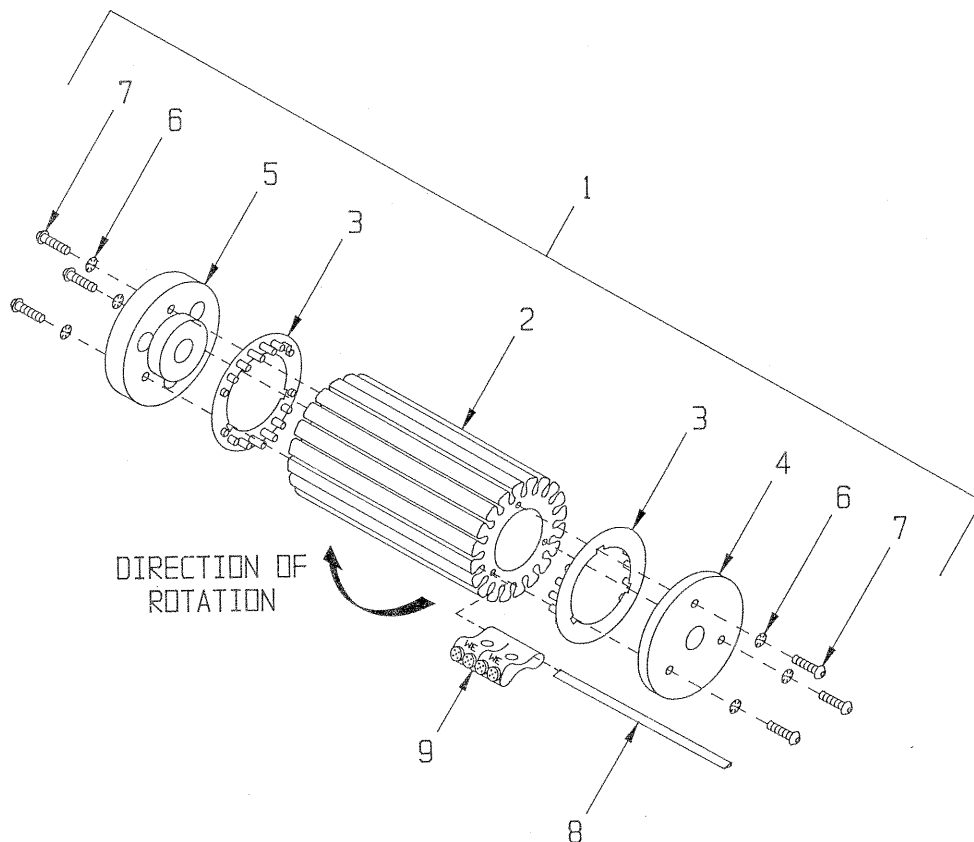
ILLUSTRATION 2: CUTTER WHEEL DRUM ASSEMBLY



Item #	Part #	Description	Qty.
1	65050	Drum Assembly Complete (Includes Items 2 thru 6)	
2	65051	Drum Only, Cutter	1
3	65055	Bushing, Hardened Steel 1/2"ID	12
4	65054	Retaining Plate, Cutter Shaft	2
5	10801	Washer, Lock 5/16	6
6	10053	Screw, Cap 5/16-18 x 3/4	6
7	20150	CP407 Cutter Shaft 8-1/2"L	6
8	12230	CG227 Spacer 1/2"ID	*
9		Cutter Wheel	*
	12206	JRS501-P Pointed Hi-Carbon Steel	
	20206	CP-305 Flat Tip Hi-Carbon Steel	
	20156	CP-206-T Tungsten Carbide, 6 Pt.	
	20256	CP-205-T Tungsten Carbide, 5 Pt.	
	20266	CP-215-T Wide Tungsten Carbide	

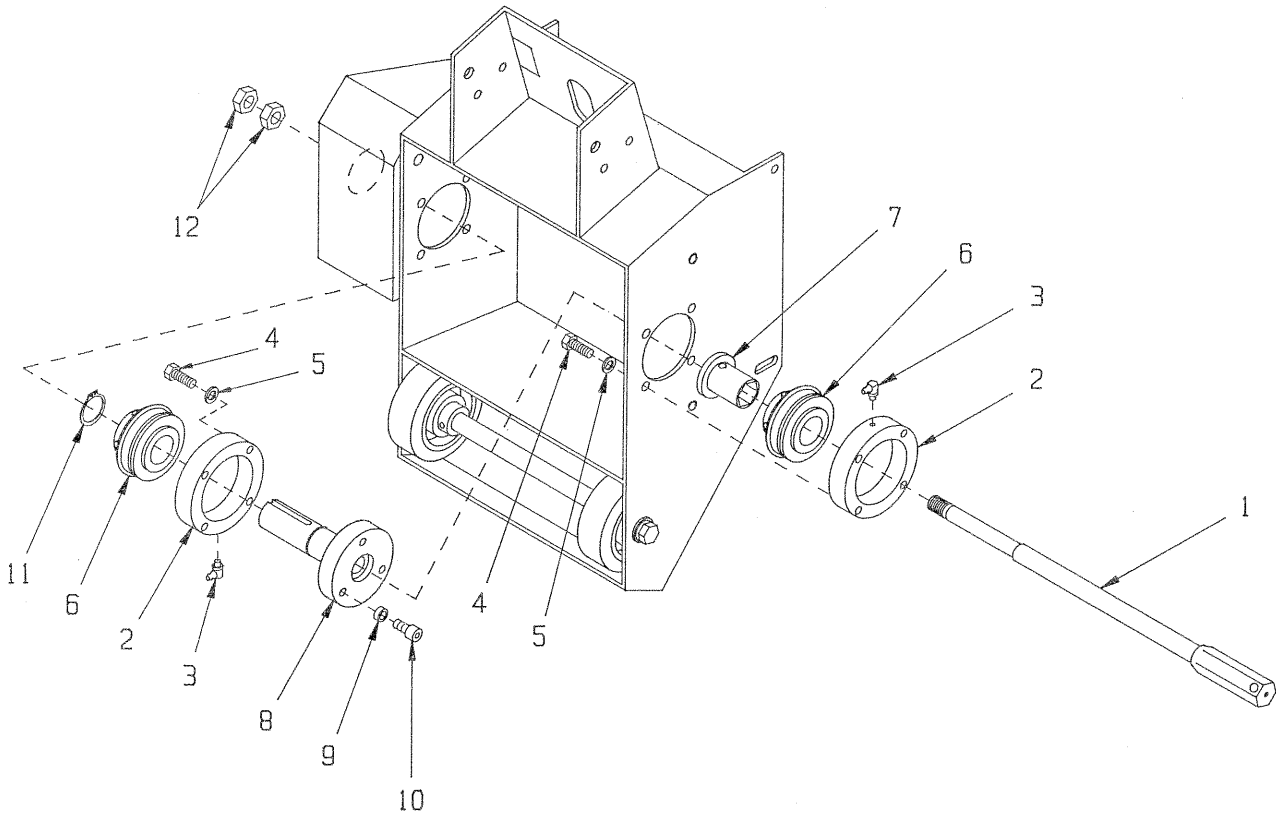
* NOTE:
Cutter Wheels, Spacers, and Shafts are not included with Drum Assembly.
The number of Cutter Wheels and Spacers vary with type of set-up used.
Refer to Assembly Instructions for suggested set-ups and quantities.

ILLUSTRATION 3:
ROTO-PEEN FLAP HUB ASSEMBLY



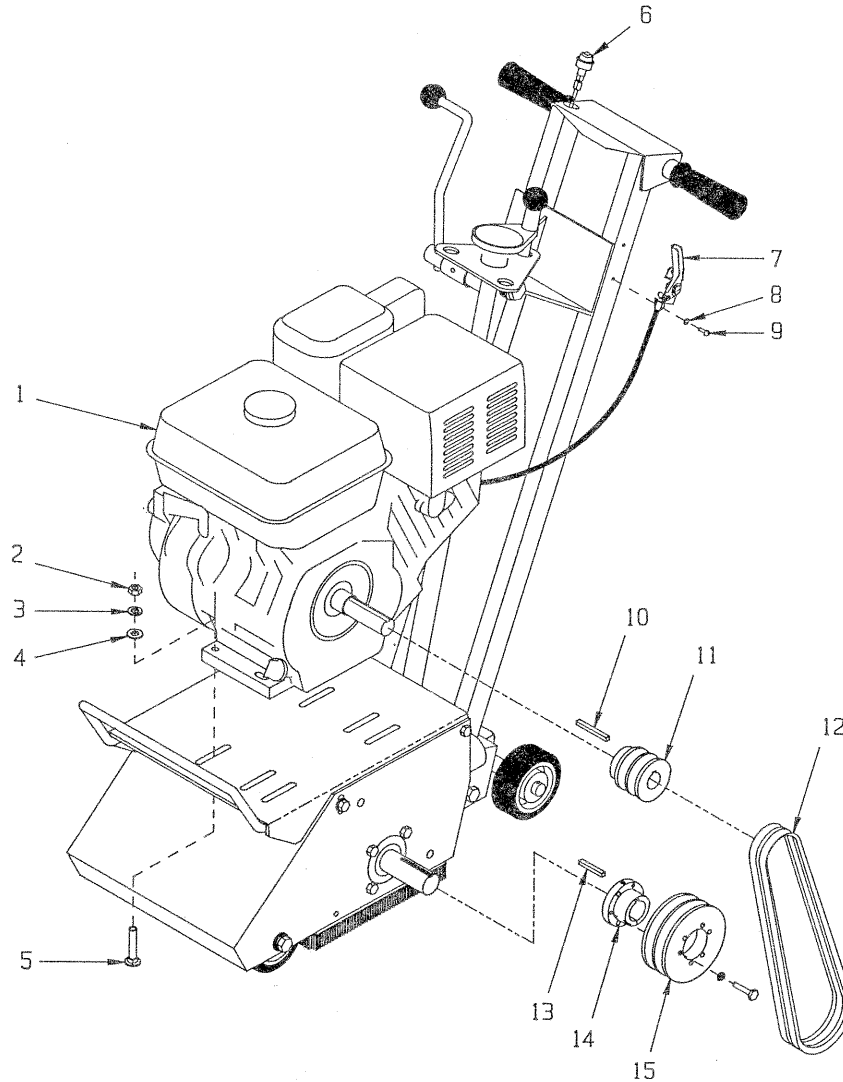
Item	Part #	Description	Qty.
1	65060	Hub Assembly Complete, Roto-Peen (Includes Items 2 thru 8)	1
2	65066	Hub Only 7-1/2"	2/SET
3	25060	Spacer Ring	1
4	65067	Flange, End Cap	1
5	65068	Flange, Driver	6
6	10451	Washer, Internal Tooth 1/4	6
7	10871	Screw, Skt. Button Hd. 1/4-20 x 1	20/SET
8	65065	Keeper Strip 7"	*
9		Roto-Peen Flap (2" Shown)	
	25020	2" Type B	
	25021	2" Type C	
	25022	2" Type D	
	25010	1" Type B	
	25011	1" Type C	
	25012	1" Type D	
<p>* NOTE: Flaps are not included with Hub Assembly. Number of flaps vary with type of set-up used. Refer to Assembly Instructions for suggested flap types and quantities.</p>			

ILLUSTRATION 4: DRUM SHAFT AND BEARINGS



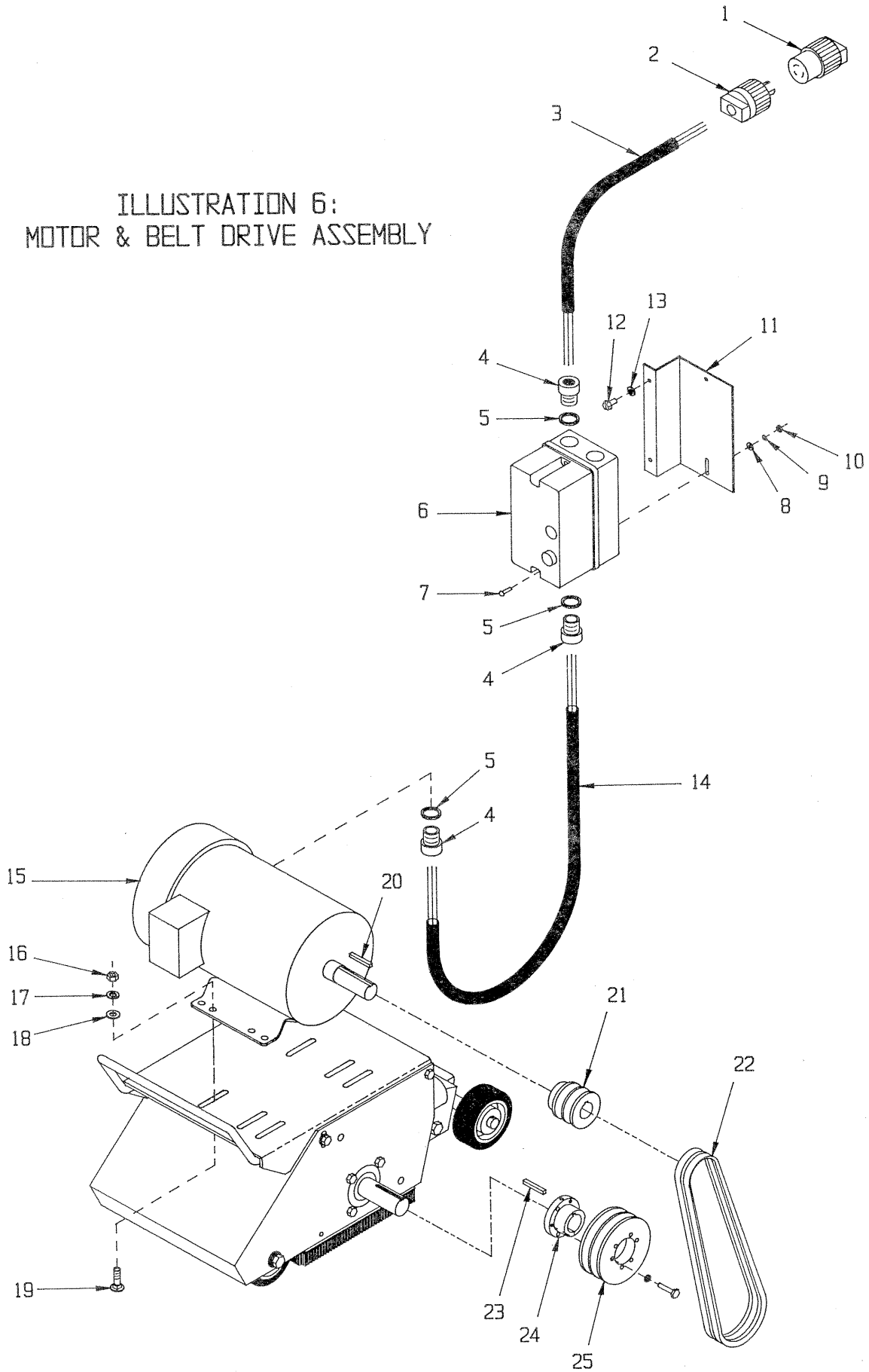
Item #	Part #	Description	Qty.
1	65037	Drum/Hub Shaft 18-3/8"L	1
2	65031	Retainer, Bearing	2
3	10961	Fitting, Grease 1/4-28 x 90°	2
4	10021	Screw, Cap 3/8-24 x 1	8
5	10811	Washer, Lock 3/8	8
6	65030	Bearing, Ball 1-1/4" W/ Snap Ring	2
7	65033	Bushing, Hex Bore 1"	2
8	65038	Shaft, Driver	1
9	10113	Spacer 9/16"OD x 3/8"ID x 7/32"W	3
10	10859	Screw, Skt. Hd. Cap 3/8-24 x 3/4	3
11	10873	Retaining Ring, Ext. 1-1/4	1
12	65039	Nut, Jam 5/8-11 Left-Hand Thread	2

ILLUSTRATION 5: ENGINE & BELT DRIVE ASSEMBLY



Item #	Part #	Description	Qty.
1		Engine	1
	15027	Honda GX-270 9 HP (Shown)	
	15015	Kohler Magnum M8T 8 HP	
	4853	Briggs & Stratton I/C 8 HP	
	15033	Briggs & Stratton Vanguard 9 HP	
2	10054	Nut 5/16-18	4
3	10801	Washer, Lock 5/16	4
4	10213	Washer, Flat 5/16	4
5	10817	Bolt, Carriage 5/16-18 x 1-1/2	4
6	50010	Switch Kit, Stop Button	1
7	3611	Cable, Throttle Lever-Type 54"	1
8	10831	Washer, Internal Tooth #10	2
9	10828	Screw, Self-Tap Pan Hd. 10-24 x 1/2	2
10	10307	Key 1/4" Sq. x 2-1/4	1
11	10553	Sheave 2.5"OD x 2Gr.A x 1" Bore	1
12	81007	Belt AX-33	2
13	10115	Key 1/4" Sq. x 2	1
14	10505	Bushing, Sheave SH x 1-1/4" Bore	1
15	65018	Sheave 4.55"OD x 2Gr.B x SH	1

ILLUSTRATION 6:
MOTOR & BELT DRIVE ASSEMBLY



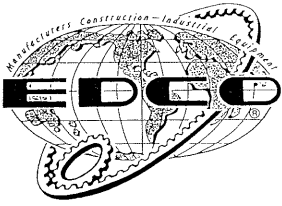
PARTS LISTING - ILLUSTRATION 6:
MOTOR & BELT DRIVE ASSEMBLY

Item #	Part #	Description	Qty.
*1	40000	Plug Connector, Locking 20A/250V	1
*2	40037	Plug, Locking 20A/250V	1
*3		Wire Harness (See Note)	1
	86026	10/3 x 24" LOA	
	86022	12/3 x 24" LOA	
4	10605	Connector, Strain Relief 3/4 NPT x .650-.750" Range	3
5	10740	Nut, Conduit Lock 3/4 NP	3
6	85045	Starter CBK3-30 W/ Large Enclosure (Specify HP, Phase, Volts, Amps, Hz)	1
7	10362	Screw, Machine 8-32 x 3/4	2
8	10850	Washer, Flat #10	2
9	10461	Washer, Internal Tooth #8	2
10	10462	Nut 8-32	2
11	86027	Mounting Brkt., Lg. CBK3-30 Starter	1
12	10846	Screw, S.T. Hex Washer 1/4-20 x 1/2	2
13	10038	Washer, Lock 1/4	2
*14		Wire Harness (See Note)	1
	65040	10/3 x 50" LOA	
	65041	12/4 x 50" LOA	
15		Motor	1
	81026	Baldor 5 HP-1 PH, 60Hz, 3450 RPM	
	81022	Baldor 5 HP-3 PH, 60Hz, 3450 RPM	
	16009	Baldor 5 HP-3 PH, 60Hz, 1725 RPM	
	16020	Baldor 5 HP-3 PH, 50Hz, 2850 RPM	
16	10054	Nut 5/16-18	4
17	10801	Washer, Lock 5/16	4
18	10213	Washer, Flat 5/16	4
19	10819	Bolt, Carrige 5/16-18 x 1	4
20	10101	Key 1/4 Sq. x 1-3/4	1
21		Sheave (See Chart)	1
	10555	2.50" OD x 2Gr.A x 1-1/8" Bore	
	10526	3.00" OD x 2Gr.A x 1-1/8" Bore	
	65018	4.55" OD x 2Gr.B x SH (Requires SH x 1-1/8" Bushing)	
	10547	Bushing, Sheave SH x 1-1/8" Bore	1
22		Belt (See Chart)	2
	10239	AP-32	
	10233	AX-34	
23	10115	Key 1/4" Sq. x 2	1
24	10505	Bushing, Sheave SH x 1-1/4" Bore	1
25	65018	Sheave 4.55" OD x 2Gr.B x SH	1

* NOTE:
Plug and Connector (Items #1 & 2)
are not supplied on 3-Phase units.
1-Phase units use 10/3 Wire Harness
3-Phase units use 12/4 Wire Harness

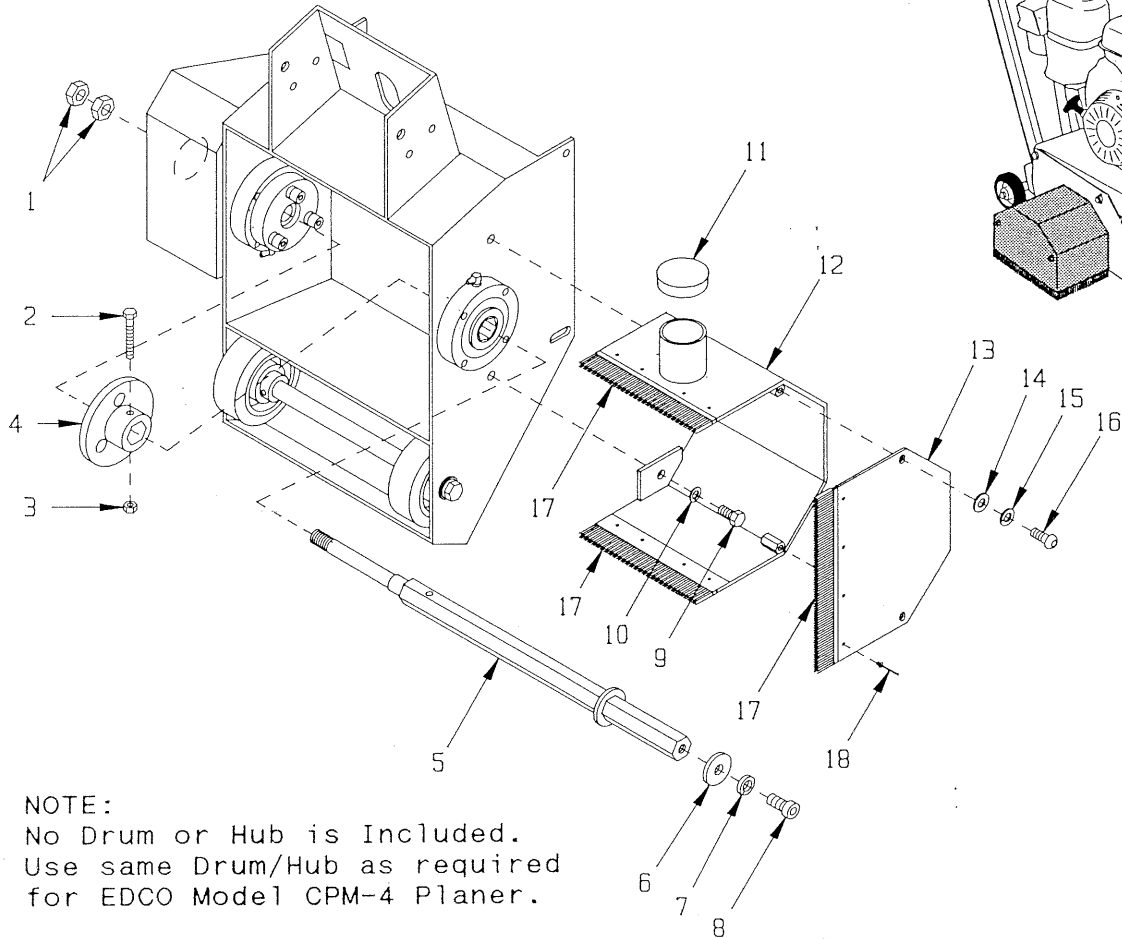
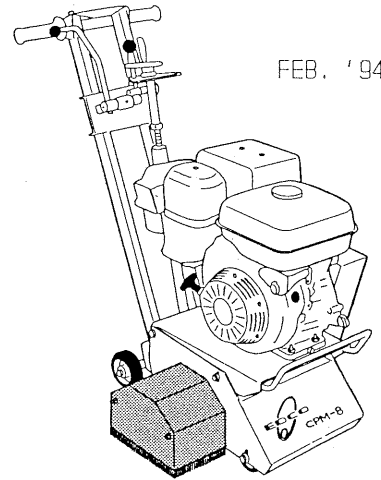
BELT DRIVE SPECIFICATIONS CHART FOR ELECTRIC CPM-8

MOTOR SPECS	DRUM RPM (NO LOAD)	MOTOR SHEAVE (ITEM #21)	DRUM SHEAVE (ITEM #25)	BELT SIZE
5 HP-60 Hz 3450 RPM	1997 RPM	2.50" O.D. (1-PIECE)	4.55" O.D. (SH 1-1/4)	AP-32
5 HP-60 Hz 1725 RPM	1725 RPM	4.55" O.D. (SH 1-1/8)	4.55" O.D. (SH 1-1/4)	AX-34
5 HP-50 Hz 2850 RPM	2025 RPM	3.00" O.D. (1-PIECE)	4.55" O.D. (SH 1-1/4)	AP-32



Model CPM-8
 OPTIONAL EDGER ASSEMBLY
 (ORDER PART NO. 65027)

FEB. '94



NOTE:
 No Drum or Hub is Included.
 Use same Drum/Hub as required
 for EDCO Model CPM-4 Planer.

Item #	Part #	Description	Qty.
1	65039	Nut, Jam 5/8-11 Left-Hand Thread	2
2	11517	Screw, Cap 5/16-18 x 2-1/8	1
3	10807	Nut, Lock 5/16-18	1
4	65026	Flange, Driver	1
5	65025	Shaft, Edger Drum/Hub	1
6	C66011	Washer, Drum Retaining	1
7	10420	Washer, Lock 1/2 Heavy-Duty	1
8	10419	Screw, Skt. Hd. Cap 1/2-13 x 1	1
9	10907	Screw, Cap 3/8-16 x 3/4	2
10	10811	Washer, Lock 3/8	2
11	65021	Plug, Cap 2"	1
12	65023	Cover Assembly with Brushes	1
13	65024	Cover Side Access Panel with Brush	1
14	10213	Washer, Flat 5/16	2
15	10801	Washer, Lock 5/16	2
16	10627	Screw, Skt. Button Hd. 5/16-18 x 3/4	2
17	65029	Brushes (Set of 3)	1
18	10128	Rivet, Pop 1/8 x 1/4	12

EQUIPMENT DEVELOPMENT COMPANY, INC.

100 THOMAS JOHNSON DRIVE, FREDERICK, MARYLAND 21702-4305 USA

PHONE (301)663-1600

TOLL FREE 1-800-638-3326

FAX (301)663-1607

FAX FREE 1-800-447-3326