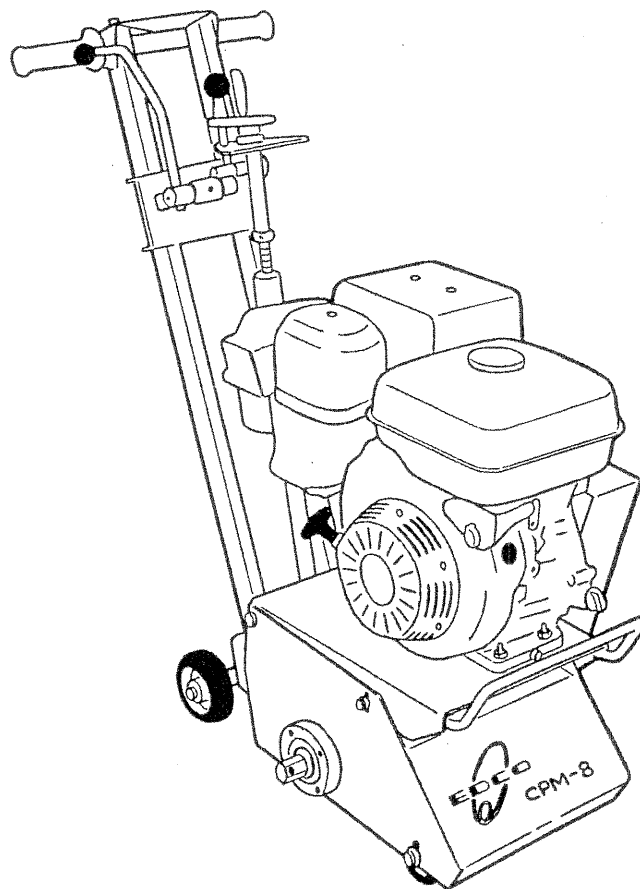


REVISED JANUARY 1999
STARTING SERIAL #11950

CONCRETE SCARIFIER

PARTS LIST MANUAL



Model CPM-8



100 Thomas Johnson Drive, Frederick, MD 21702-4600 USA
Phone (301) 663-1600 • 1-800-638-3326
Fax (301) 663-1607 • 1-800-447-3326
Website: www.edcoinc.com • Email: sales@edcoinc.com

Printed in USA
©2001

READ AND UNDERSTAND THE OPERATORS INSTRUCTION MANUAL THOROUGHLY BEFORE ATTEMPTING TO OPERATE THIS EQUIPMENT.

Death or serious injury could occur if the machine is used improperly.

WARNING

The engine exhaust from this product contains chemicals known to the State of California to cause cancer, birth defects or other reproductive harm.

GASOLINE POWERED EQUIPMENT

Do not operate gasoline powered equipment without adequate ventilation. Carbon monoxide is an invisible, odorless gas that can kill.

DANGER

ELECTRIC POWERED EQUIPMENT

ELECTRICAL HAZARD - Be sure equipment is properly grounded. Failure to comply could kill or result in serious injury.

DANGER



GENERAL SAFETY PRECAUTIONS



1. You must read and understand the operators instruction manual and all other manuals associated with this machine. For your safety and the safety of others around you, it is extremely important to fully understand how to operate this machine in the way it was intended. Different model machines or older/newer versions of the same model may have different parts and controls that you need to understand. If instructions are not readable or available DO NOT USE this machine and contact the factory for a replacement Manual.
2. You must be able to physically handle the bulk weight and power of this machine. If not properly controlled this machine can cause death or serious injury.
3. Do not operate this machine in an impaired mental state. You must be able to exercise good judgement and reactions to maintain a safe working environment.
4. This is a "one person" machine which means only one operator can be operating the machine at any one time. For the safety of others, maintain a safe operating distance to other personnel. Your work area should be defined and appropriately marked so bystanders and coworkers do not stand or walk near this machine and end up seriously injured by flying debris or exposing them to harmful noise or dust.
5. This equipment is for Commercial use. Although this is a "one person" machine your work team should understand how to shut this machine off and quickly get medical help if an accident strikes the operator.
6. Keep all guards in place during operation. The guards are to provide protection from inadvertent contact with dangerous moving parts, pinch points, or hot surfaces.
7. Wear appropriate Personal Protective Equipment (PPE) including safety glasses, safety boots, work gloves, respiratory protection, hearing protection, and head protection. Do not wear loose clothing that can get tangled in moving parts. Failure to do so could result in dismemberment or death. **Wear an approved respirator when removing hazardous materials or when grinding/cutting dry materials. Some dust particles such as concrete dust can contain silicate particles which can cause silicosis (a very serious lung disease). Contact NIOSH or OSHA for further details. When wet grinding/cutting, avoid contact with the concrete/asphalt slurry which can cause serious skin irritations.**
8. You must maintain this machine per the maintenance schedule in the operator manual. Remember before adjusting, servicing, or fueling this machine, disconnect the source of power to the machine by disconnecting the spark plug (Gas models), or by unplugging the electrical power cord (electric models) or air hose (Pneumatic models) AT THE MACHINE so you can assure yourself it remains unplugged while you are working on it. Do not modify this machine. Use only genuine EDCO parts and accessories. Repairs and service should be performed by approved EDCO dealers or authorized technicians.
9. You should look carefully around the area before you begin work so you can identify potential hazards such as deck inserts, pipes, columns, openings, electrical cords or outlets, or any other objects protruding from the slab surface.
10. This machine has no brain so you must use your own. There is no substitute for safety. The safety decals on the machine are to serve as a reminder for information you must already know before you begin using this machine. Take a moment to reread the safety decals each time you use the machine. If your machine is missing any decals, contact the factory for a replacement (EDCO 1-800-638-3326).

EDCO Model CPM-8, "CONCRETE SCARIFIER"

TABLE OF CONTENTS

- 1 - General Safety Precautions
 - 2 - Information Page (Table of Contents)
 - 3 - Illustration 1: Frame Assembly
 - 4 - Parts Listing - Illustration 1: Frame Assembly
 - 5 - Illustration/Parts Listing 2: Drum Shaft and Bearings
 - 6 - Illustration/Parts Listing 3: Engine and Belt Drive Assembly
 - 7 - Illustration 4: Motor Belt Drive Assembly
 - 8 - Parts Listing - Illustration 4: Motor Belt Drive Assembly
 - 9 - Illustration/Parts Listing 5: Cutter Wheel Drum Assembly (Standard)
 - 10 - Illustration/Parts Listing 6: Roto-Peen Flap Hub Assembly (Standard)
 - 11 - Illustration/Parts Listing 7: Diamond Grooving Head Assembly (Standard)
 - 12 - Illustration/Parts Listing 8: Optional Edger Assembly
 - 13 - Illustration/Parts Listing 9: Optional Cutter Wheel Drum Assembly
(For use with edger assembly only!)
 - 14 - Illustration/Parts Listing 10: Optional Roto-Peen Flap Hub Assembly
(For use with edger assembly only!)
- (Back Cover)** - Limited Equipment Warranty

PLEASE FILL IN INFORMATION AND SAVE

Date of Purchase _____

Name of Machine _____

Model # _____

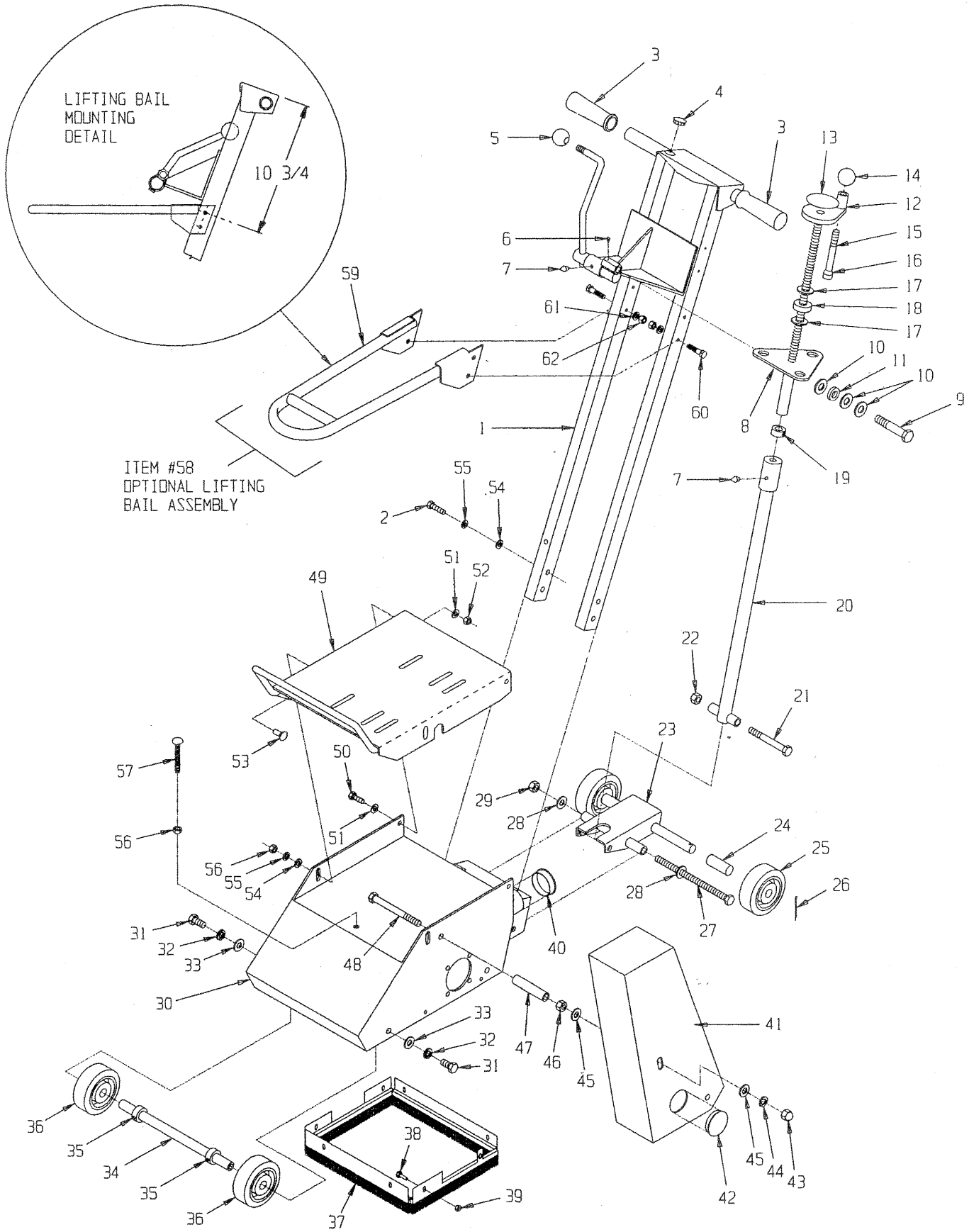
Serial # _____

Belt Size(s) _____

HOW TO ORDER REPAIR PARTS

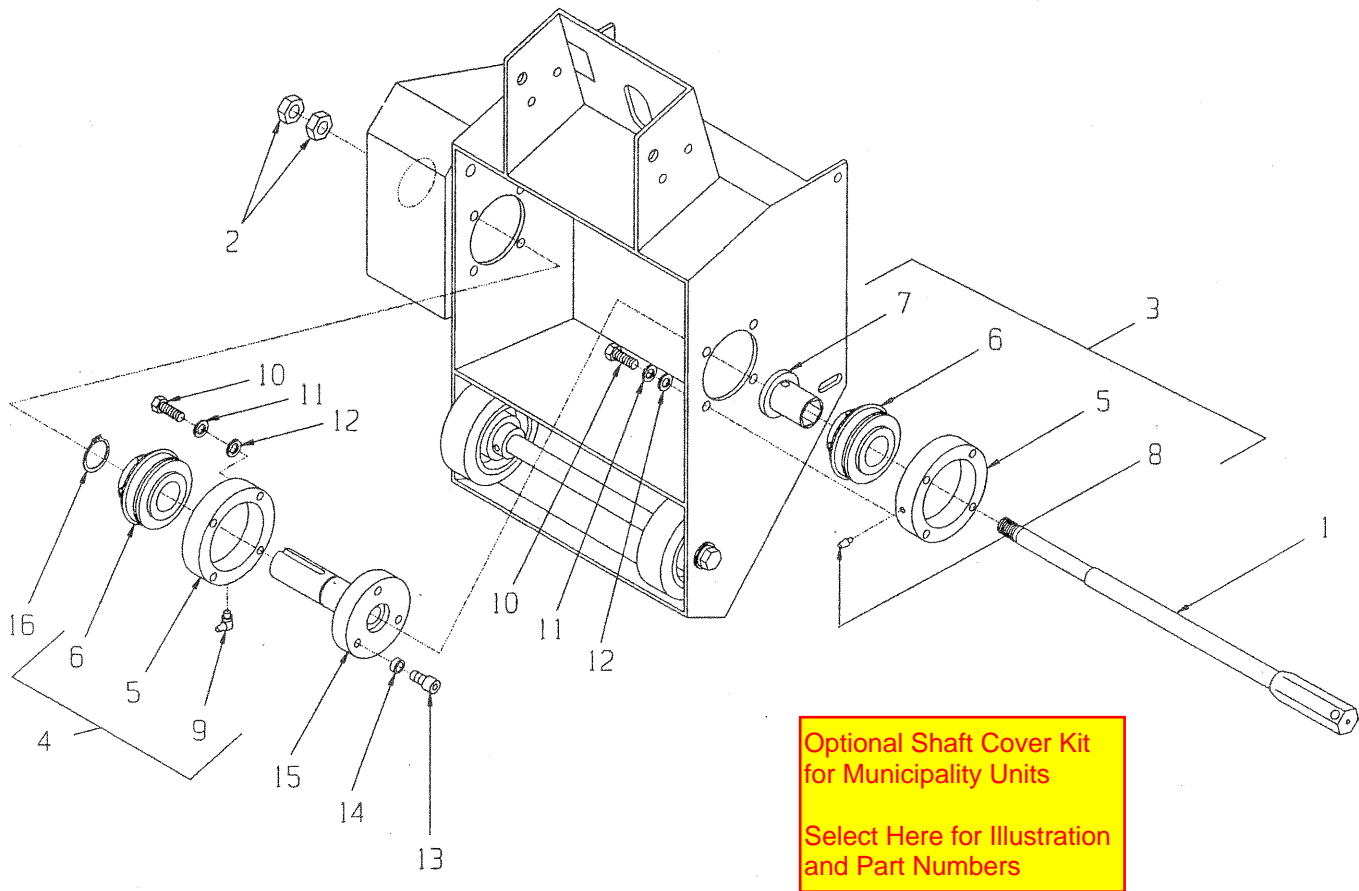
- To insure product safety and reliability, always use genuine EDCO replacement parts when making repairs to the equipment.
- When ordering parts, please specify the MODEL and SERIAL NUMBER of the machine as given on the NAME PLATE. In addition, give part number, description and quantity as listed on the parts list.
- Please note: Due to improvements and changes in the equipment, the illustrations shown may be different than the actual machine.

ILLUSTRATION 1: FRAME ASSEMBLY



PARTS LISTING - ILLUSTRATION 1: FRAME ASSEMBLY			
ITEM #	PART #	DESCRIPTION	QTY.
1	65009	Handle Bar, CPM-8	1
2	10055	Screw, Cap 3/8-16 x 1	4
3	10608	Grip, Hand 1" Model AT	2
4	10005	Plug, Hole 7/8" (Chrome) - <i>Electric Models Only</i>	1
5	14023	Knob, Ball 1-3/8" DIA. W/ 1/2-13 THD.	1
6	10127	Screw, Drive 1/8 x 1/4" L	1
7	10808	Fitting, Grease 1/4-28 Straight	2
8	65007	Linkage Support, Upper, CPM-4/8	1
9	10359	Screw, Cap 5/8-11 x 3-1/4	1
10	10073	Washer, Flat 5/8	3
11	79035	Bushing, Rubber 5/8"ID x 1/4"THK	1
12	65019	Handwheel, Small W/ 5/8-8 x 13"Rod	1
13	80007	Decal, Cut Control - DWN/UP (Small Round)	1
14	14023	Knob, Ball 1-3/8" DIA. W/ 1/2-13 THD.	1
15	10346	Screw, Skt. Hd. Cap 1/2-13 x 4-1/2	1
16	50550	Sleeve for 1/2" Capscrew, Tapered	1
17	10073	Washer, Flat 5/8	2
18	85005	Bearing, Ball 5/8"ID x 1-1/2"OD (Thrust)	1
19	10096	Collar, Locking 5/8" ID	1
20	65006	Linkage, Lower	1
21	81001	Screw, Cap 1/2-13 x 4	1
22	10407	Nut, Lock 1/2-13	1
23	65004	Fork	1
24	65005	Spacer, Rear Wheel 2-3/16"	2
25	52001	Wheel, 4 x 1-1/2 x 3/4" Brg. Alum./Rubber	2
26	10306	Pin, Cotter 3/16 x 1-1/4	2
27	65015	Bolt, Allthread Rod 1/2-13 x 8	1
28	10312	Washer, Flat 1/2	2
29	10407	Nut, Lock 1/2-13	1
30	65001	Main Frame	1
31	10304	Screw, Cap 1/2-20 x 1	2
32	10045	Washer, Lock 1/2	2
33	10312	Washer, Flat 1/2	2
34	65014	Axle Shaft, Front 3/4" DIA. x 12-7/32" L, CPM-8	1
35	10428	Collar, Locking 3/4" ID	2
36	52001	Wheel, 4 x 1-1/2 x 3/4" Brg. Alum./Rubber	2
37	65036	Brushes (Set of 4)	1
38	10834	Screw, Cap 1/4-20 x 1/2	8
39	10861	Nut, Keps 1/4-20	8
40	65021	Plug, Cap 2"	1
41	65003	Cover, Belt	1
42	65022	Plug, Hole 2"	1
43	10422	Nut, Acorn 1/2-20	2
44	10045	Washer, Lock 1/2	2
45	10312	Washer, Flat 1/2	4
46	10072	Nut 1/2-20	2
47	65016	Spacer Tube 1/2" ID x 3-9/16" L, CPM-8	2
48	65017	Screw, Cap 1/2-20 x 5	2
49	-	Mount, Engine \ Motor	1
-	65002	Standard, CPM-8 (Excluding 5.5 HP Honda)	-
-	65095	5.5 HP Honda, CPM-8 (Export Models Only)	-
50	10021	Screw, Cap 3/8-24 x 1	2
51	10025	Washer, Flat 3/8	4
52	10004	Nut, Lock 3/8-24	2
53	10802	Bolt, Carriage 3/8-16 x 1	2
54	10025	Washer, Flat 3/8	6
55	10811	Washer, Lock 3/8	6
56	10404	Nut 3/8-16	3
57	10388	Bolt, Carriage 3/8-16 x 3 Full THD.	1
58	65096A	Bail Assembly, Lifting, CPM-8 (Contains Items 59 through 62)	1
59	65096	Bail Only, Lifting, CPM-8	1
60	10816	Screw, Cap 3/8-24 x 1-1/2	2
61	10811	Washer, Lock 3/8	2
62	10014	Nut 3/8-24	2

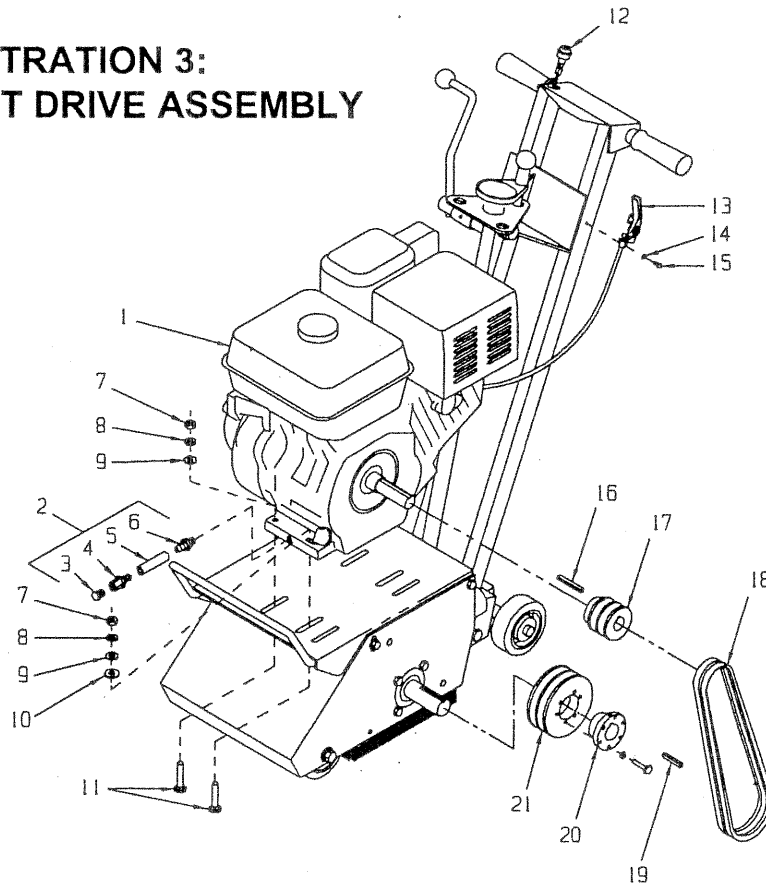
ILLUSTRATION 2: DRUM SHAFT AND BEARINGS



PARTS LISTING - ILLUSTRATION 2: DRUM SHAFT AND BEARINGS

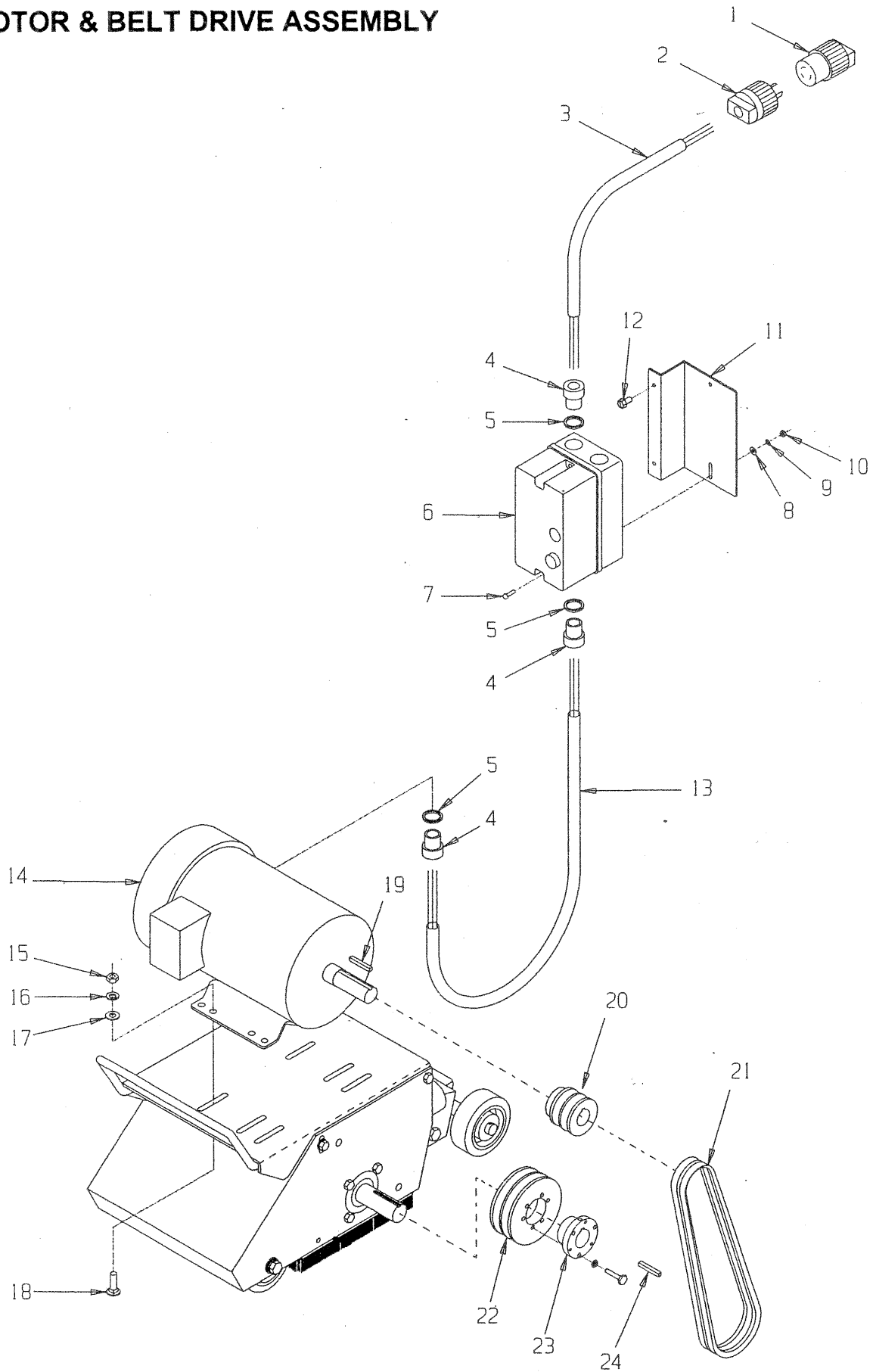
ITEM #	PART #	DESCRIPTION	QTY.
1	65037	Drum/Hub Shaft 18-3/8" Length, CPM-8	1
2	65039	Nut, Jam 5/8-11 Left-Hand Thread	2
3	65057	Bearing Assy. Complete, 1" Hex Bore	1
4	65056	Bearing Assy. Complete, 1-1/4" Dia. Bore	1
5	65031	Retainer, Bearing, CPM-8	2
6	65030	Bearing, Ball 1-1/4" W/Snap Ring	2
7	65033	Bushing, Bearing, 1" Hex Bore, CPM-8	1
8	10808	Fitting, Grease 1/4-28 Straight	1
9	10961	Fitting, Grease 1/4" -28 X 90°	1
10	10309	Screw, Cap 3/8-24 X 1-1/4"	8
11	10811	Washer, Lock 3/8"	8
12	10025	Washer, Flat 3/8"	8
13	10878	Screw, Skt. Hd. Cap 3/8-24 X 1"	3
14	10113	Spacer, Steel 9/16" OD X 3/8" ID X 7/32"	3
15	65038	Driver, CPM-8	1
16	10873	Retaining Ring, Ext. 1-1/4" 5100-125	1

ILLUSTRATION 3: ENGINE & BELT DRIVE ASSEMBLY



PARTS LISTING - ILLUSTRATION 3:ENGINE & BELT DRIVE ASSEMBLY			
ITEM #	PART #	DESCRIPTION	QTY.
1		Engine	1
	15027	Honda 9.0 HP GX270	
	15015	Kohler 8.0 HP Magnum M8T	
	15039	B&S Vanguard 7.5 HP 138432	
	15033	B&S Vanguard 9.0 HP 185432	
	40387	Honda 5.5 HP GX160 (Export Models Only)	
2		Oil Drain Kit for Honda Engines (Contains Items 3 through 6)	1
	40328	Kit for 9 HP Honda	
	40327	Kit for 5.5 HP Honda	
3	10776	Pipe Plug 1/4 NPT (Brass)	1
4	11544	Barb, Push-On 3/8 Hose X 1/4 FPT	1
5	56116	Hose, Push-On 3/8"ID X 3'L	1
6		Barb, Push-On	1
	11542	3/8 Hose X 12mm X 1.50 Male (9 HP Honda)	
	11541	3/8 Hose X 10mm X 1.25 Male (5.5 HP Honda)	
7	10054	Nut 5/16-18	4
8	10801	Washer, Lock 5/16	4
9	10213	Washer, Flat 5/16	4
10	10025	Washer, Flat 3/8	2
11	10918	Bolt, Carriage 5/16-18 X 1-3/4	4
12	50010	Switch Kit, Stop Button, 7/8" Hole	1
13	40388	Cable, Throttle Control, Lever-Type 24"	1
14	10831	Washer, Lock, Int. Tooth #10	2
15	10828	Screw, Self-Tap Pan Head 10-24 X 1/2	2
16	10307	Key 1/4 SQ X 2-1/4	1
17		Sheave	1
	10553	2.5" OD X 2 Gr. A X 1" Bore (Excluding Honda 5.5 HP GX160)	
	10559	2.5" OD X 2 Gr. A X 3/4" Bore (For use with Honda 5.5 HP only)	
18		Belt	2
	81007	AX-33 (Excluding Honda 5.5 HP GX160)	
	10249	AX-31 (For use with Honda 5.5 HP only)	
19	40317	Key 1/4 SQ X 1-5/8	1
20	10505	Bushing, Sheave SH X 1-1/4" Bore	1
21	65045	Sheave 4.05" OD X 2 Gr. A X SH	1

ILLUSTRATION 4: MOTOR & BELT DRIVE ASSEMBLY



**PARTS LISTING - ILLUSTRATION 4:
MOTOR & BELT DRIVE ASSEMBLY**

ITEM #	PART #	DESCRIPTION	QTY.
1	40000	Plug Connector, Locking 20A/250V (See Note)	1
2	40037	Plug, Locking 20A/250V (See Note)	1
3		Wire Harness (See Note)	1
	86026	10/3 x 24" LOA	
	86022	12/4 x 24" LOA	
4	10605	Connector, Strain Relief 3/4 NPT x .650-.750" Range	3
5	10740	Conduit Lock Nut 3/4 NP	3
6	85045	Starter CA3-30 W/ Large Enclosure (Specify HP, Phase, Volts, Amps, Hertz)	1
7	10362	Screw, Machine 8-32 x 3/4	2
8	10850	Washer, Flat #10	2
9	10461	Washer, Lock, Int. Tooth #8	2
10	10462	Nut 8-32	2
11	86027	Mounting Brkt., Large CA3-30 Starter	1
12	10846	Screw, Self-Tap Hex Washer 1/4-20 x 1/2	2
13		Wire Harness (See Note)	1
	65040	10/3 x 50" CPM-8-E 1-Phase	
	65041	12/4 x 50" CPM-8-E 3-Phase	
14		Motor	1
	81026	Baldor 5.0 HP-1 PH, 60 HZ, 3450 RPM	
	81022	Baldor 5.0 HP-3 PH, 60 HZ, 3450 RPM	
	16020	Baldor 5.0 HP-3 PH, 50 HZ, 2850 RPM	
15	10054	Nut 5/16-18	4
16	10801	Washer, Lock 5/16	4
17	10213	Washer, Flat 5/16	4
18	10819	Bolt, Carriage 5/16-18 x 1	4
19	10101	Key 1/4" SQ x 1-3/4" (Included with motor)	1
20		Sheave (See Chart)	1
	10555	2.50" OD x 2 Gr. A x 1-1/8" Bore	
	10526	3.00" OD x 2 Gr. A x 1-1/8" Bore	
21	10239	Belt AP-32	2
22	40317	Sheave 4.05" OD x 2 Gr.A x SH	1
23	10505	Bushing, Sheave SH x 1-1/4" Bore	1
24	65045	Key 1/4" SQ x 1-5/8"	1

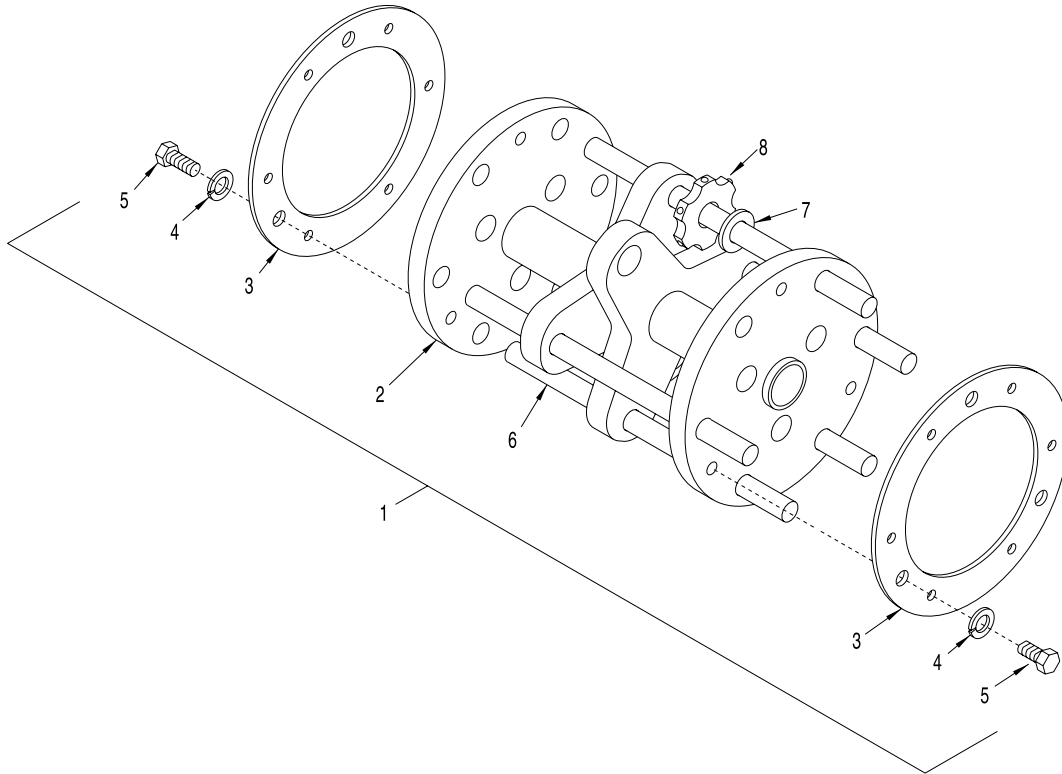
NOTE:
Plug and Connector (Items #1 & #2)
are not supplied on 3 Phase Units.
Single Phase units use 10/3 Wire Harness.
Three Phase units use 12/4 Wire Harness.

BELT DRIVE SPECIFICATIONS CHART FOR ELECTRIC CPM-8

MOTOR SPECS	DRUM RPM (NO LOAD)	MOTOR SHEAVE (ITEM #20)	DRUM SHEAVE (ITEM #22)	BELT SIZE
5.0 HP/60 Hz 3450 RPM	1997 RPM	2.50" O.D. (1 PIECE)	4.05" O.D. (SH 1-1/4)	AP-32
5.0 HP/50 Hz 2850 RPM	2025 RPM	3.00" O.D. (1 PIECE)	4.05" O.D. (SH 1-1/4)	AP-32

CPM-8 CUTTER DRUM ASSEMBLY

(REVISED JAN. 2002, STARTING SERIAL # 13632)

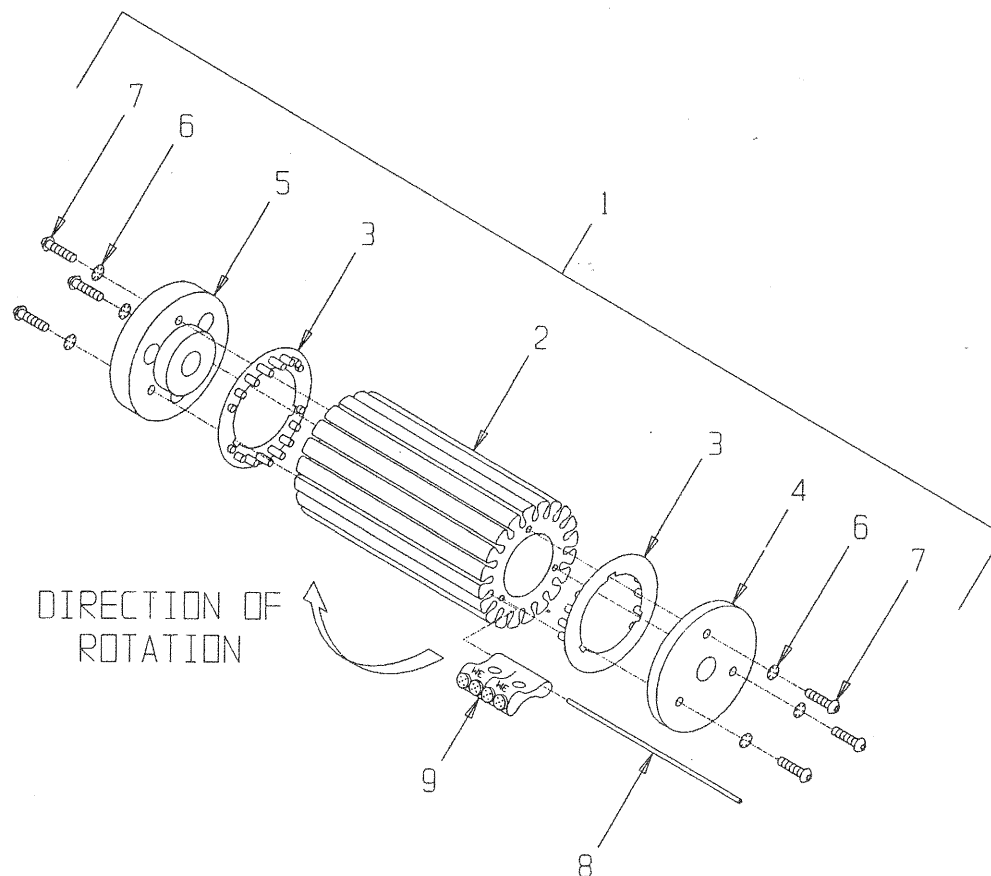


ITEM#	PART#	DESCRIPTION	QTY.
1	65050	DRUM ASSEMBLY, COMPLETE, CPM-8 CUTTER (INCLUDES ITEMS 2 THROUGH 6)	1
2	65051	DRUM ONLY , CUTTER, CPM-8	1
3	65054	RETAINING PLATE, CUTTER SHAFT, CPM-4/8	2
4	10801	WASHER, LOCK 5/16	6
5	10053	SCREW, CAP 5/16-18 x 3/4	6
6	20150	CP407 CUTTER SHAFT FOR CPM-8, 8-9/16"L	6
7	12230	CG227 SPACER, 1/2" ID	*
8	*	CUTTER WHEELS	*
	20156	CP206T, 6 POINT TUNGSTEN CARBIDE, (SHOWN) 1-3/4"OD x 5/8"ID x 1/4"THK	
	20206	CP305, 12 TOOTH FLAT TIP HI CARBON STEEL, 2"OD x 5/8"ID x 3/16"THK	
	12206	JRS501-P, 18 TOOTH POINTED HI CARBON STEEL, 2"OD x 1/2"ID x 3/16"THK	

*NOTE:
 CUTTER WHEELS AND SPACERS ARE NOT INCLUDED WITH DRUM ASSEMBLY.
 THE NUMBER OF CUTTER WHEELS AND SPACERS VARY WITH TYPE OF SET-UP USED.
 REFER TO ASSEMBLY INSTRUCTIONS FOR SUGGESTED SET-UPS AND QUANTITIES.



**ILLUSTRATION 6:
ROTO-PEEN FLAP HUB ASSEMBLY
(STANDARD)**



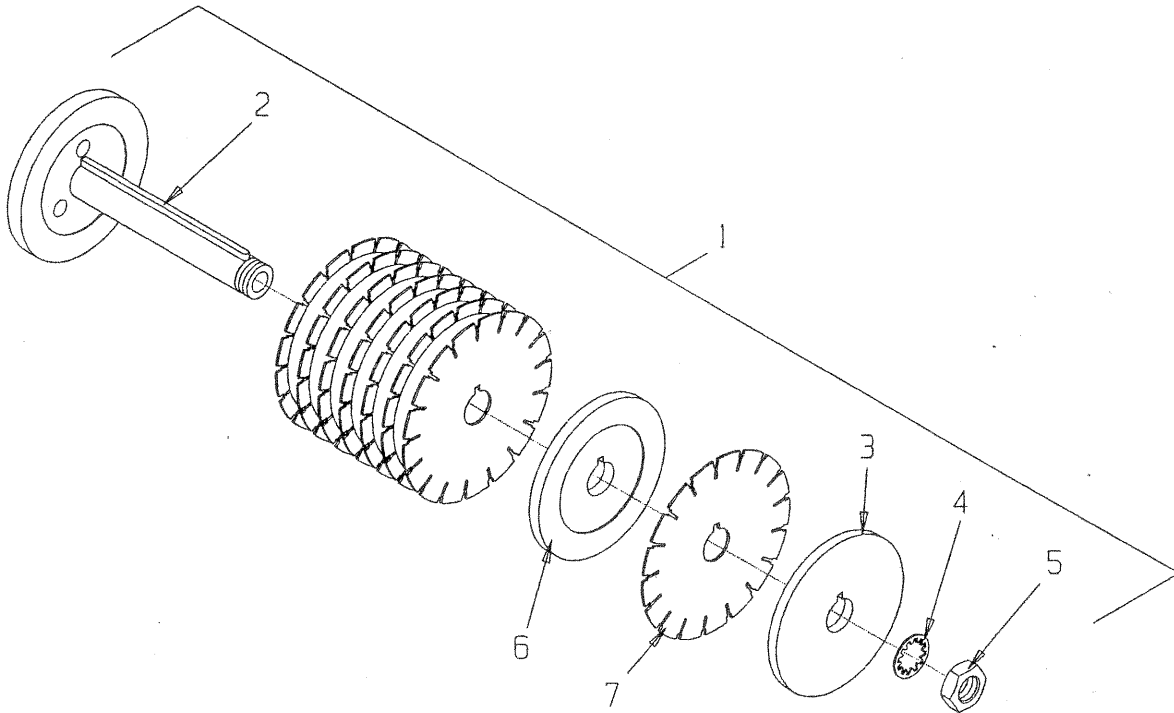
**PARTS LISTING - ILLUSTRATION 6:
ROTO-PEEN FLAP HUB ASSEMBLY (STANDARD)**

ITEM #	PART #	DESCRIPTION	QTY.
1	65060	Hub-8 Assembly, Complete, ROTO-PEEN 7-1/2" (Includes Items 2 thru 8)	
2	65066	Hub Only, ROTO-PEEN 7-1/2" CPM-8	1
3	25060	Spacer Ring, ROTO-PEEN Hub	2/Set
4	65067	Flange, End Cap, ROTO-PEEN, CPM-8	1
5	65068	Flange, Driver, ROTO-PEEN Hub, CPM-8	1
6	10451	Washer, Lock, Int. Tooth 1/4"	6
7	10871	Screw, Skt. Button Head 1/4-20 X 1	6
8	65065	Keeper Pin 7", ROTO-PEEN, Set of 20	1 Set
9	-	Flap, ROTO-PEEN	□
	25020	2" TYPE B	
	25021	2" TYPE C	
	25022	2" TYPE D	

□ NOTE:

Flaps are not included with Hub Assembly.
Number of Flaps vary with type of set-up used.
Refer to Assembly Instructions for suggested Flap Types and quantities.

**ILLUSTRATION 7:
DIAMOND GROOVING HEAD ASSEMBLY
(STANDARD)**



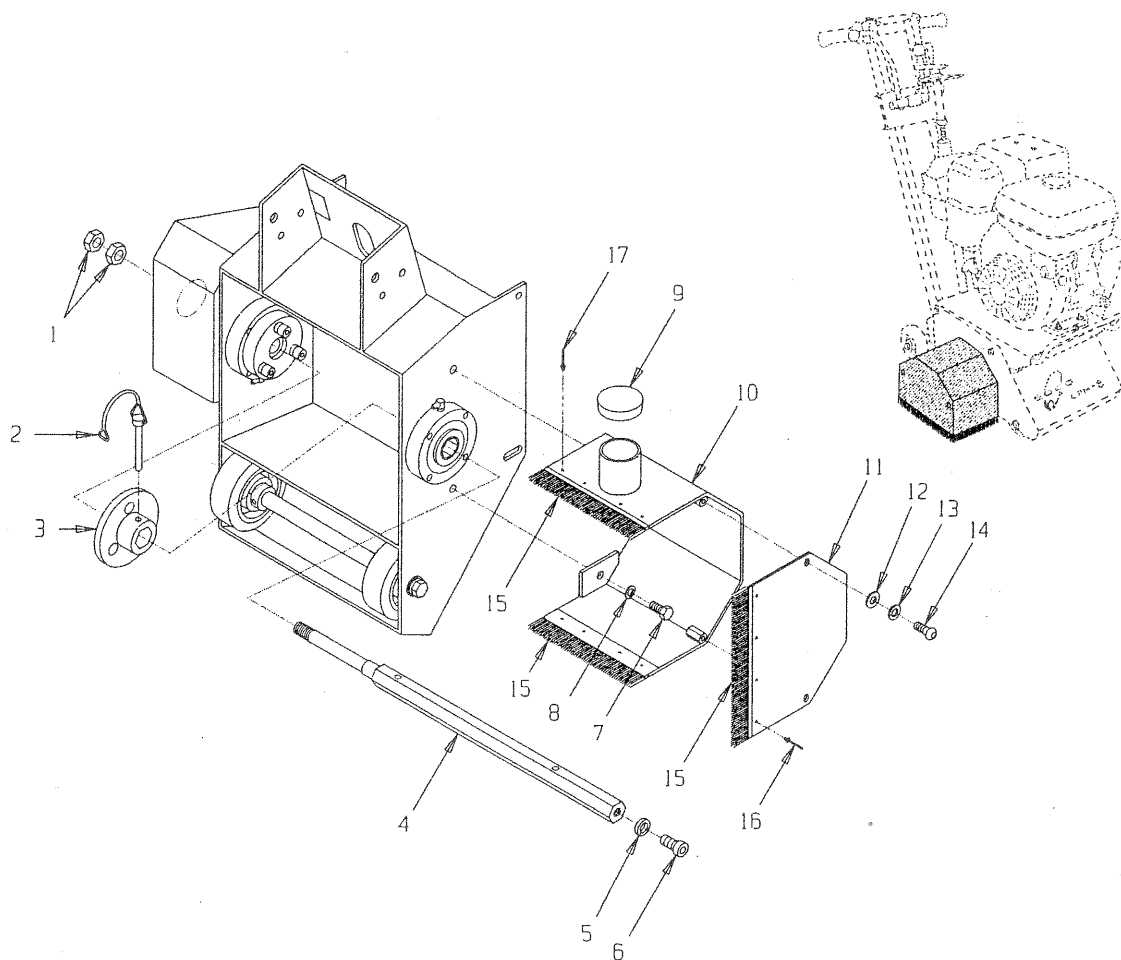
**PARTS LISTING - ILLUSTRATION 7:
DIAMOND GROOVING HEAD ASSEMBLY
(STANDARD)**

ITEM #	PART #	DESCRIPTION	QTY.
1	65077	Diamond Grooving Head Assembly (Includes Items 2 through 5)	
2	65070	Arbor, Diamond Grooving Head, CPM-8	1
3	65071	Arbor, Blade Retaining Cap 6\", CPM-8	1
4	65075	Washer, Lock, Int. Tooth 1-1/4"	1
5	65076	Nut, Jam 1 1/4-12	1
6		Spacer, Blade	▣
	65072	6" O.D. X 1-1/4" I.D. X .063" THK	
	65073	6" O.D. X 1-1/4" I.D. X 1/2" THK	
	65074	6" O.D. X 1-1/4" I.D. X 1" THK	
	65078	6" O.D. X 1-1/4" I.D. X 5/8" THK	
7	39808	DCC-05S Diamond Blade, 7 x .090 x 1.25" W/ Keyway	▣

▣ NOTE:

**Diamond Blades and Spacers are not included with Head Assembly.
These quantities vary with the type of set-up used.**

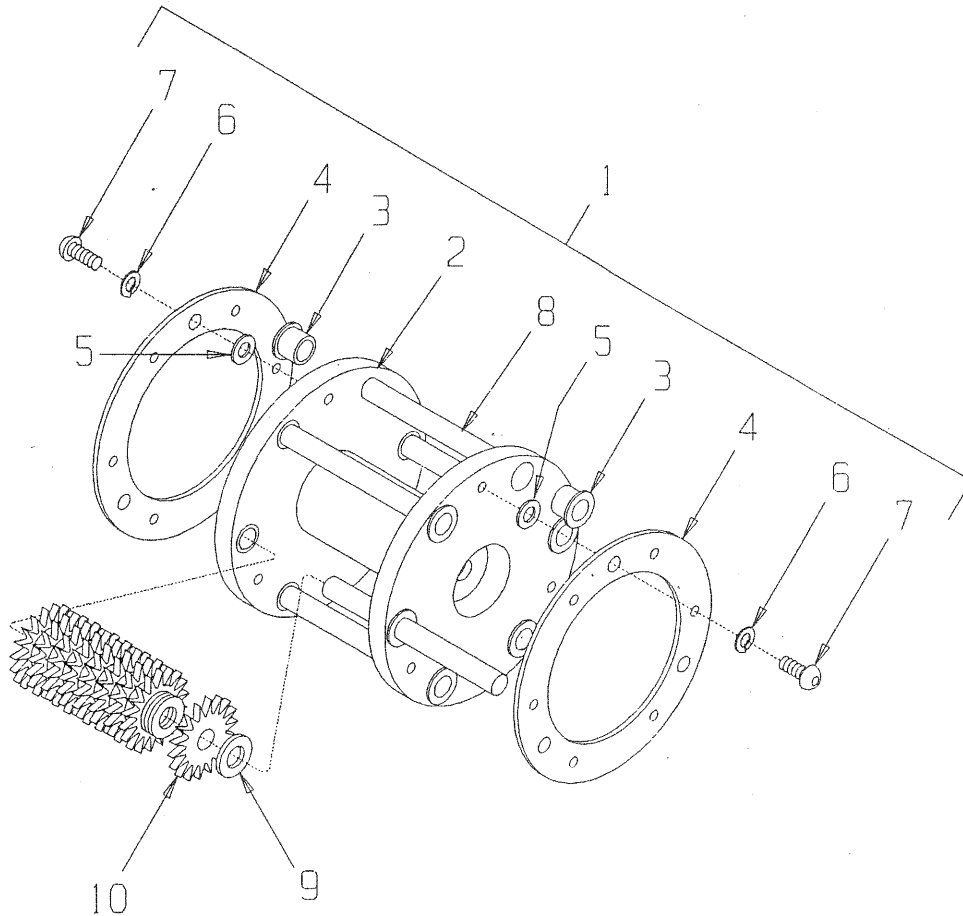
**ILLUSTRATION 8:
OPTIONAL EDGER ASSEMBLY
(PART NO. 65027)**



**PARTS LISTING - ILLUSTRATION 8:
OPTIONAL EDGER ASSEMBLY**

ITEM #	PART #	DESCRIPTION	QTY.
1	65039	Nut, Jam 5/8-11 Left-Hand Thread	2
2	65028	Pin, Wire Lock 5/16 X 2-3/4	1
3	65026	Flange, Driver, CPM-8 Edger	1
4	65025	Drum Shaft, Side Mounted Edger, CPM-8	1
5	10420	Washer, Lock 1/2 Heavy-Duty	1
6	10490	Screw, Skt. Hd. Cap 1/2-13 X 1	1
7	10907	Screw, Cap 3/8-16 X 3/4	2
8	10811	Washer, Lock 3/8	2
9	65021	Plug, Cap 2"	1
10	65023	Cover W/ Brushes, CPM-8 Edger	1
11	65024	Cover Side Panel W/ Brush, CPM-8 Edger	1
12	10213	Washer, Flat 5/16	2
13	10801	Washer, Lock 5/16	2
14	10627	Screw, Skt. Button Head 5/16-18 X 3/4	2
15	65029	Brushes (SET OF 3) Edger (Included with Items 10 & 11)	1
16	10128	Rivet, Blind 1/8 X .265" L X .250" HD. DIA.	4
17	10134	Rivet, Blind 3/16 X .450" L X .375" HD. DIA.	8

**ILLUSTRATION 9:
OPTIONAL CUTTER WHEEL DRUM ASSEMBLY
(USED WITH EDGER ASSEMBLY ONLY)**



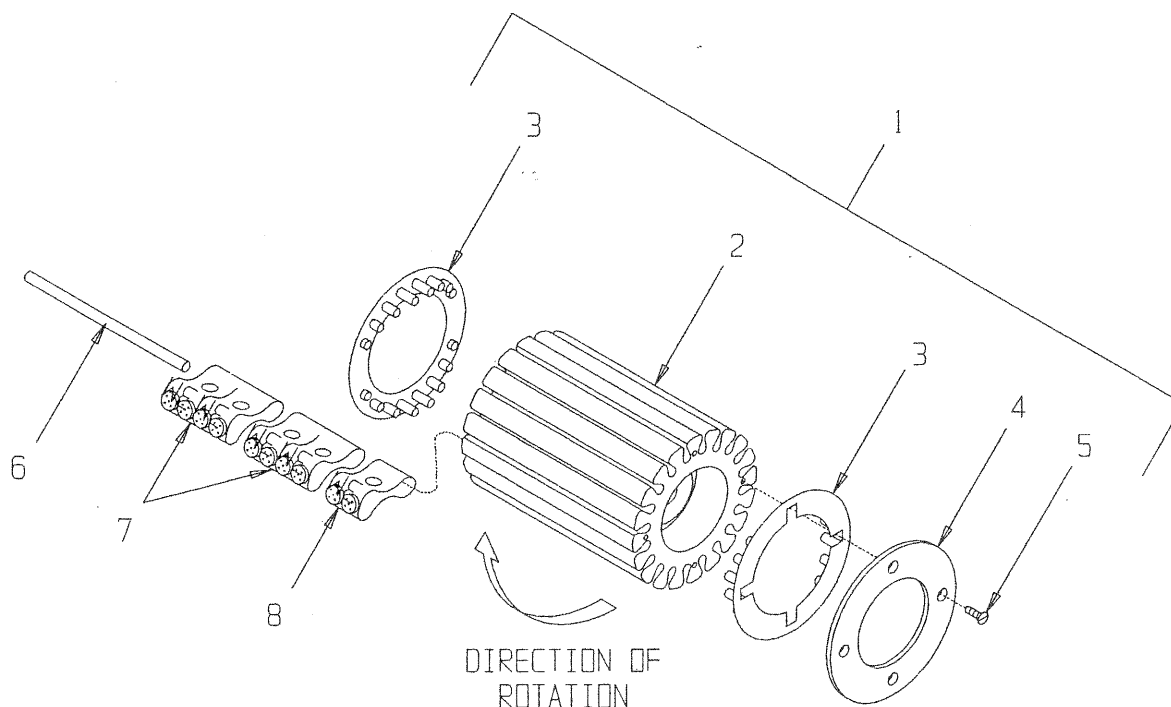
**PARTS LISTING - ILLUSTRATION 9:
OPTIONAL CUTTER WHEEL DRUM ASSEMBLY**

ITEM #	PART #	DESCRIPTION	QTY.
1	C66040	Drum Assembly, Cutter CPM-4 (Includes Items 2 thru 8)	
2	C66041	Drum Only, Cutter, CPM-4	1
3	65055	Bushing, Drum, Hardened Steel 1/2" ID	12
4	65054	Retaining Plate, Cutter Shaft CPM-4/8	2
5	10213	Washer, Flat 5/16	6
6	10801	Washer, Lock 5/16	6
7	10627	Screw, Skt. Button Head 5/16-18 X 3/4	6
8	C66043	CP410 Shaft, 1/2 X 5-1/4"L, CPM-4	6
9	12230	CG227 Spacer 1/2" ID	▣
10		Cutter Wheels	▣
	12206	JRS501-P, 18 Tooth – Pointed Light Scarifying, Hi Carbon Steel, 2" OD x 1/2" ID x 3/16" THK	
	20206	CP305, 12 Tooth, Flat Tip General Purpose, Hi Carbon Steel, 2" OD x 5/8" ID x 3/16" THK	
	20156	CP206T, 6 Point Long Lasting, Tungsten Carbide, 1-3/4" OD x 5/8" ID x 1/4" THK	

▣ NOTE:

Cutter Wheels and Spacers are not included with Drum Assembly.
The number of Cutter Wheels and Spacers vary with type of set-up used.
Refer to Assembly Instructions for suggested set-ups and quantities.

**ILLUSTRATION 10:
OPTIONAL ROTO-PEEN FLAP HUB ASSEMBLY
(USED WITH EDGER ASSEMBLY ONLY)**



**PARTS LISTING - ILLUSTRATION 10:
OPTIONAL ROTO-PEEN FLAP HUB ASSEMBLY**

ITEM #	PART #	DESCRIPTION	QTY.
1	C66050	Hub-4 Assembly. Complete, Roto-Peen 5-1/2"	
2	C66051	Hub Only, Roto-Peen, CPM-4	1
3	25060	Spacer Ring, Roto-Peen Hub	2/Set
4	C66052	Retaining Plate, Roto-Peen Flap CPM-4	1
5	10628	Screw, Flat Head Slotted 8-32 X 1/2	4
6	C66054	Keeper Pin 5", Roto-Peen, Set of 20	1 Set
7		Roto-Peen Flap 2"	▣
	25020	Type B	
	25021	Type C	
	25022	Type D	
8	-----	Roto-Peen Flap 1" (Cut 2" Flap in Half)	▣

▣ NOTE:

Flaps are not included with Hub Assembly.
Number of Flaps vary with type of set-up used.
Refer to Assembly Instructions for suggested Flap Types and quantities.

LIMITED EQUIPMENT WARRANTY

Equipment Development Company, Inc. herein referred to as EDCO warrants that each new unit manufactured by EDCO to be free from defects in material and workmanship in normal use and service for a period of (1) one year (except in the case of the cutter drum assembly on all model concrete asphalt planes, in which case the warranty period shall be 90 days) from date of shipment to the original retail or equipment rental center owner.

EDCO will, at its option, repair or replace, at the EDCO factory or at a point designated by EDCO any part, which shall appear to the satisfaction of EDCO inspection to have been defective in material or workmanship.

This warranty, does not apply to failure occurring as a result of abuse, misuse, negligent repairs, corrosion, erosion, normal wear and tear, alterations or modifications made to the product without express written consent of EDCO; or failure to follow the recommended operating practices and maintenance procedures as provided in the products operating and maintenance manuals.

This warranty does not obligate EDCO to bear any transportation charges in connection with the replacement or repair of defective parts. This warranty does not obligate EDCO to bear any expense for travel time or of personnel in connection with any service calls.

Accessories or equipment furnished and installed on the product by EDCO but manufactured by others, including but not limited to engines, motors, electrical equipment, transmissions, etc., shall carry the accessory manufacturers' own warranty.

THIS WARRANTY IS IN LIEU OF ALL OTHER WARRANTIES, EXPRESSED OR IMPLIED, OR STATUTORY, INCLUDING ANY WARRANTIES OF MERCHANTABILITY OR OF FITNESS FOR A PARTICULAR PURPOSE.

LIABILITY LIMITATIONS

The remedies of the user set forth under provisions of warranty outlined above are the exclusive and total liability of EDCO with the respect to their sale or the equipment and service furnished hereunder, in connection with the performance or breach thereof, or from the sale, delivery, installation, repair or technical direction covered by or furnished under the sale, whether based on contract, warranty, negligence, indemnity, strict liability, or otherwise shall not exceed the purchase price of the unit of equipment upon which such liability is based.

EDCO will not in any event be liable to the user, any successors in interest or any beneficiary or assignee relating to this sale for any consequential, incidental, indirect, special or punitive damages arising out of this sale or any breach thereof, or any defects on, or failure of, or malfunction of the equipment under this sale based upon loss of use, lost profits or revenue, interest, lost goodwill, work stoppage, impairment of other goods, loss by reason of shutdown or non-operation, increased expenses of operation of the equipment, cost of purchase or replacement power of claims of users or customers of the user for service interruption whether or not such loss or damage is based on contract, warranty, negligence, indemnity, strict liability, or otherwise.

EDCO reserves the right to modify, alter and improve any part or parts without incurring any obligation to replace any part or parts previously sold without such modified, altered or improved part or parts.

No person is authorized to give any other warranty or to assume any additional obligation on EDCO's behalf unless made in writing and signed by an officer of EDCO.

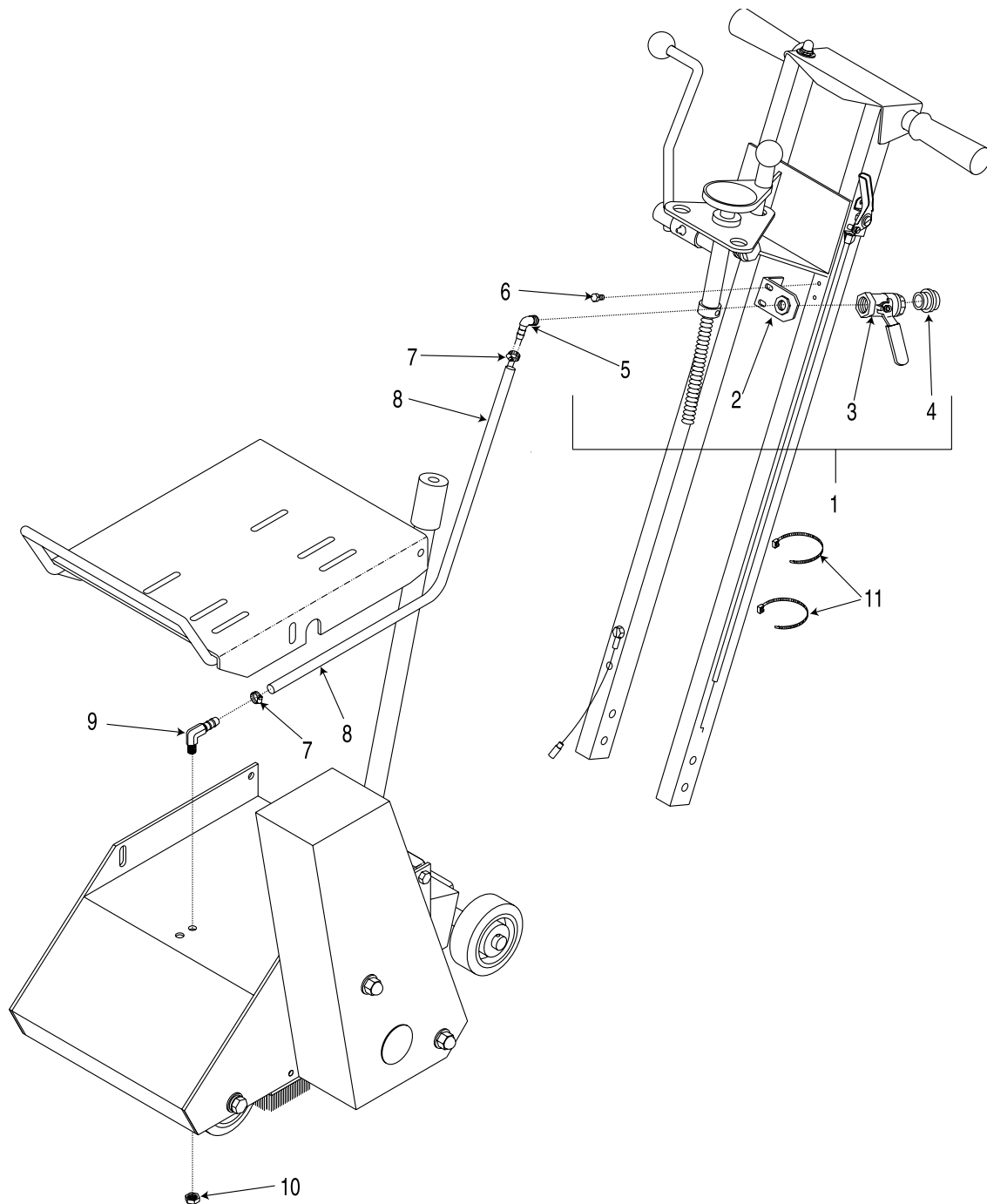
Equipment Development Company, Inc.

USE ONLY GENUINE EDCO PARTS AND ACCESSORIES

For your own safety, the safety of others and the life of your machine



PARTS LIST ADDENDUM



CPM-8 Water Mist System Kit Part No. 65080



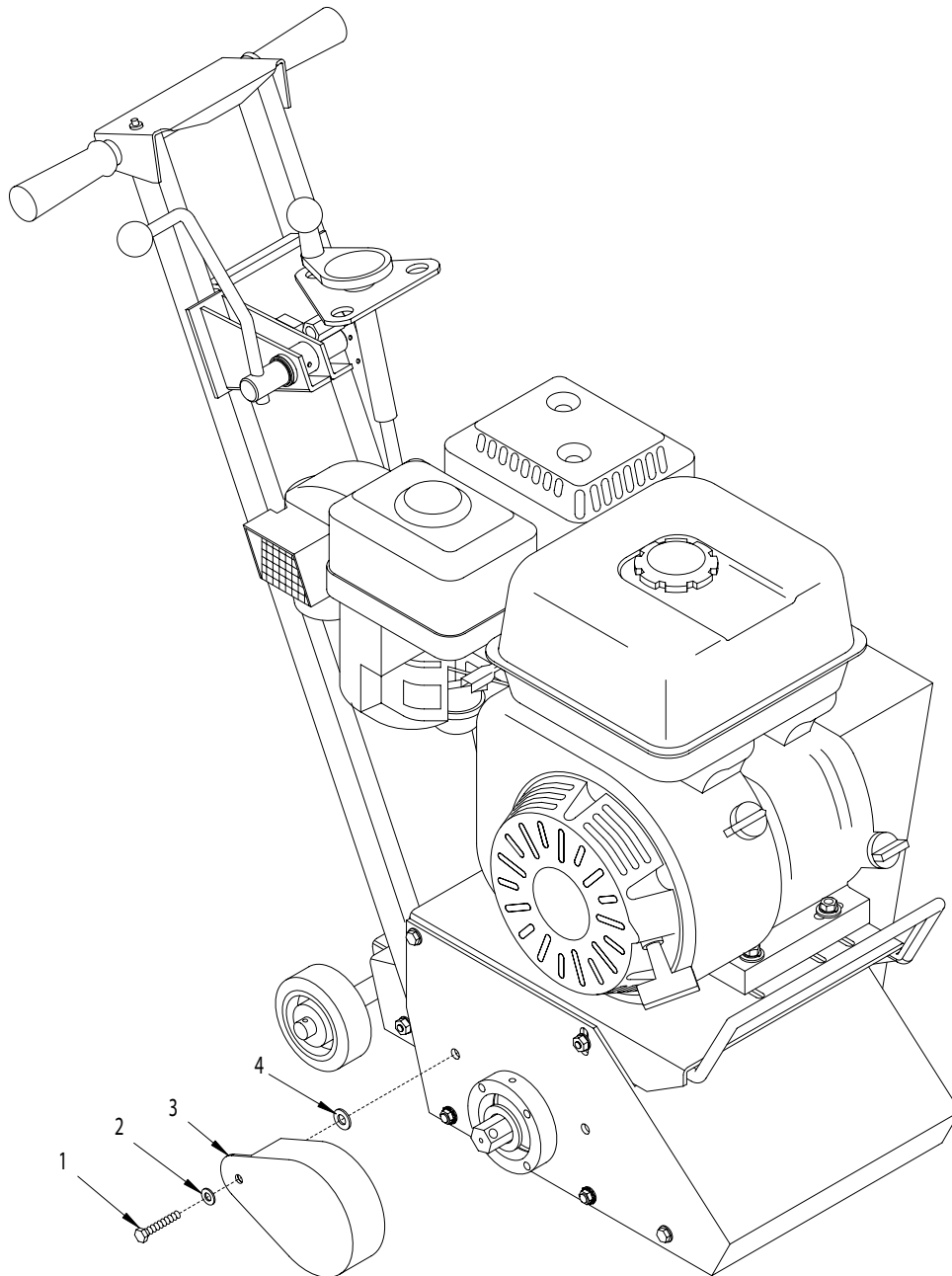
100 Thomas Johnson Drive, Frederick, MD 21702-4600 USA
Phone (301) 663-1600 • 1-800-638-3326
Fax (301) 663-1607 • 1-800-447-3326
Website: www.edcoinc.com • Email: sales@edcoinc.com

Printed in USA
©2002

PARTS LISTING : CPM-8 WATER MIST SYSTEM

ITEM#	PART#	DESCRIPTION	QTY.
1	56022A	VALVE SUBASSY. w/ BRACKET (INCLUDES ITEMS 2 THRU 5)	1
2	56022	BRACKET, WATER VALVE	1
3	10711	VALVE, BALL 1/2 FPT	1
4	80021	CONN., SWIVEL FEMALE 3/4 HOSE x 1/2 MPT (INCLUDES HOSE WASHER)	1
5	10799	BARB ELABOW 90, 3/8 HOSE x 1/4 MPT	1
6	10877	SCREW, SELF-TAP HEX WASHER 10-24 x 1/2	2
7	50069	CLAMP, HOSE, SIZE M6, ADJ. TO 13/16"	2
8	65081	HOSE, WATER 3/8" ID x 34"L	1
9	11562	BARB ELBOW 90°, 3/8 HOSE x 1/8 MPT	1
10	10864	NUT 1/8-27 PIPE THREAD	1
11	10982	TIE, CABLE, BLACK NYLON11-1/4"	2

**MODEL CPM-8
SHAFT COVER KIT**
PART # 65097K
OPTION FOR MUNICIPALITY UNITS



ITEM #	PART #	DESCRIPTION	QTY.
1	10410	BOLT, TAP 3/8-16x2-1/2 (FULL THD.)	1
2	10811	WASHER, LOCK 3/8	1
3	65097	COVER, SHAFT	1
4	10025	WASHER, FLAT 3/8	1



100 Thomas Johnson Drive, Frederick, MD 21702-4600 USA
 Phone (301) 663-1600 • 1-800-638-3326
 Fax (301) 663-1607 • 1-800-447-3326
 Website: www.edcoinc.com • Email: sales@edcoinc.com

Printed in USA
 ©2003