



PARTS LIST MANUAL

MODEL TMC7



GASOLINE MODEL



ELECTRIC MODEL



7" TURBO / EDGE GRINDERS

SKU #	MODEL #	POWER OPTION	DISC RPM's
57100	TMC7-5.5H	HONDA GASOLINE ENGINE MODEL GXV160	3150
57200	TMC7-2L	LEESON ELECTRIC MOTOR 2HP 60Hz 1-PHASE	1740

**READ AND UNDERSTAND THE OPERATOR'S SAFETY MANUAL
THOROUGHLY BEFORE ATTEMPTING TO OPERATE THIS EQUIPMENT.**

Death or serious injury could occur if this machine is used improperly.

Machine specific Operator's Instruction Manuals are offered at edcoinc.com/customer-resources/manuals-parts-lists/
READ AND UNDERSTAND THE ENGINE MANUFACTURERS INSTRUCTIONS AND OPERATORS MANUAL BEFORE OPERATION.



EQUIPMENT DEVELOPMENT COMPANY, INC.

100 Thomas Johnson Drive, Frederick, MD 21702-4600 USA
Phone: 800-638-3326 or 301-663-1600 • Fax: 800-447-3326 or 301-663-1607
Website: www.edcoinc.com • E-mail: techsupport@edcoinc.com

Printed in USA
JWA ©2021



SAFETY INFORMATION



SAFETY MESSAGES

• Safety Instructions are preceded by a graphic alert symbol of DANGER, WARNING, or CAUTION.



Indicates an imminent hazard which, if not avoided, will result in death or serious injury.



Indicates an imminent hazard which, if not avoided, can result in death or serious injury.



Indicates hazards which, if not avoided, could result in serious injury and or damage to the equipment.

GASOLINE / PROPANE POWERED EQUIPMENT



• Engine exhaust from this product contains chemicals known to the State of California to cause cancer, birth defects or other reproductive harm.



• Tilting a gasoline powered machine fitted with an EPA approved vented charcoal filter gas cap, beyond 20° can cause fuel leakage. If a leak occurs, do not start or run the engine until the leak is fixed. Eliminate all other ignition sources in the immediate area (no smoking, flares, sparks or flames). Use approved gasoline absorbing material to contain the fuel leakage. Then use clean, non-sparking tools to collect absorbed materials then dispose of these contaminants properly.



• Gasoline is extremely flammable and poisonous. It should only be dispensed in well ventilated areas, and with a cool engine.

• Small gasoline engines produce high concentrations of carbon monoxide (CO) example: a 5 HP 4 cycle engine operation in an enclosed 100,000 cu. ft. area with only one change of air per hour is capable of providing deadly concentrations of CO in less than fifteen minutes. Five changes of air in the same area will produce noxious fumes in less than 30 minutes. Gasoline powered equipment should not be used in enclosed or partially enclosed areas. Symptoms of CO poisoning include, head-ache, nausea, weakness, dizziness, visual problems and loss of consciousness. If symptoms occur - get into fresh air and seek medical attention immediately.

- Never refuel a hot engine or an engine while it is running.
- Engines are shipped from factory without fuel/oil.



• Propane is extremely flammable and is heavier than air and tends to settle in low areas where a spark or flame could ignite gas. DO NOT start or operate this propane engine in a poorly ventilated area where leaking propane gas could accumulate and endanger safety of persons in area. If headache develops, shut off machine. Have it checked for carbon monoxide emissions by a qualified technician before using it again. To ensure personal safety, installation and repair of propane fuel supply systems must be performed only by qualified technicians. Carbon monoxide emissions from this machine are greatly increased due to a dirty combustion air cleaner.

ELECTRICAL POWERED EQUIPMENT



Extreme care must be taken when operating electric models with water present: Ensure power cord is properly grounded, is attached to a Ground-Fault-Interrupter (GFI) outlet, and is undamaged.

- Check all electrical cables - be sure connections are tight and cable is continuous and in good condition. Be sure cable is correctly rated for both the operating current and voltage of this equipment.
- Improper connection of the equipment grounding conductor can result in a risk of electric shock. Check with qualified electrician or service person if there is any doubt as to whether the outlet is properly grounded. Adhere to all local codes and ordinances.
- NOTE: In the event of a malfunction or breakdown, grounding provides a path of least resistance for the electric current to dissipate. The motor is equipped with a grounded plug and must be connected to an outlet that is properly installed and properly grounded. DO NOT modify the plug provided on the motor. If the plug does not fit the outlet have a qualified electrician install the proper receptacle.

ELECTRICAL POWERED EQUIPMENT CONTINUED

- Do not disconnect power by pulling cord. To disconnect, grasp the plug, not the cord.
- Unplug power cord at the machine when not in use and before servicing.
- Switch motor OFF before disconnecting power.
- Never use frayed, damaged, taped or under rated extension cords. Electrical shock could result in death or serious injury to the operator and damage to the equipment.
- Assure you are using the proper extension cord length.

GENERAL INSTRUCTIONS

- Equipment should only be operated by trained personnel in good physical condition and mental health (not fatigued). The operator and maintenance personnel must be physically able to handle the bulk weight and power of this equipment.
- This is a one person tool. Maintain a safe operating distance to other personnel. It is the operator's responsibility to keep other people (workers, pedestrians, bystanders, etc.) away during operation. Block off the work area in all directions with roping, safety netting, etc. Failure to do so may result in others being injured by flying debris or exposing them to harmful dust and noise.
- This equipment is intended for commercial use only.
- For the operator's safety and the safety of others, always keep all guards in place during operation.
- Never let equipment run unattended.



- Personal Protection Equipment and proper safety attire must be worn when operating this machinery. The operator must wear approved safety equipment appropriate for the job such as hard hat and safety shoes when conditions require. Hearing protection **MUST** be used when operational noise levels of this equipment may exceed 85db. Eye protection **MUST** be worn at all times.



Keep body parts, loose clothing and accessories away from moving parts. Failure to do so could result in dismemberment or death.

- Do not modify the machine.
- Stop motor/engine when adjusting or servicing this equipment. Maintain a safe operating distance from flammable materials. Sparks from the cutting-action of this machine can ignite flammable materials or vapors.



DUST WARNING



Some dust created by power sanding, sawing, grinding, drilling, and other construction activities contains chemicals known to cause cancer, birth defects, or other reproductive harm. Materials being removed can be toxic or hazardous. A breathing respirator is required to help protect the operator. Some examples of these chemicals are:

- Lead from lead-based paints.
- Crystalline silica from bricks, concrete and other masonry products. Your risk of exposure to these chemicals varies depending on how often you do this type of work. To reduce your risk: work in a well ventilated area, use a dust control system, such as an industrial-style vacuum, and wear approved personal safety equipment, such as a dust/particle respirator designed to filter out microscopic particles.
- See more on the importance of dust prevention and silica warnings at: osha.gov/silica
- More concrete and silica dust suppression training and educational materials available at edcoinc.com/silica-standards or scan the QR code on page 5.
- Written exposure plans are provided at <http://www.edcoinc.com/written-exposure-control-plans/>

PARTS LIST MANUAL

MODEL TMC7

7" TURBO / EDGE GRINDER

TABLE OF CONTENTS

<u>Section</u>	<u>Page Number</u>
Safety Information	2
How To Order Replacement Parts	3
Illustration 1: Main Grouping	4, 5
Illustration 2: Flex Head Assembly with Cut Cover	6, 7
Illustration 3: Rigid Head Assembly with Full Cover	8, 9
Illustration 4: Flex Head Assembly without Cover	10
Illustration 5: Rigid Head Assembly without Cover	11
Illustration 6: Bearing Hub Assembly	12
Illustration 7: Magna-Trap® Disc Assembly	13
Illustration 8: Optional Scarifier Disc Assembly	14
Blank Page	15
Illustration 9: Engine Grouping	16, 17
Illustration 10: Motor Grouping	18, 19
Switch Wiring Diagram	20
Motor Wiring Diagram	21
Decal Sheet	22
Limited Equipment Warranty of Sale	23
STOP - Before Using This Product	24

HOW TO ORDER REPLACEMENT PARTS

- To insure product safety and reliability, always use genuine EDCO replacement parts when making repairs to the equipment.
- When calling for parts, specify the MODEL and SERIAL number of the machine, which can be found on the NAME PLATE. Keep that information in the space provided. In addition to this information, give part number, description, and quantity as listed on the parts list to your parts representative.
- Please note: Due to improvements and changes in the equipment, the illustrations shown may be different than the actual machine.

FILL IN INFORMATION BELOW

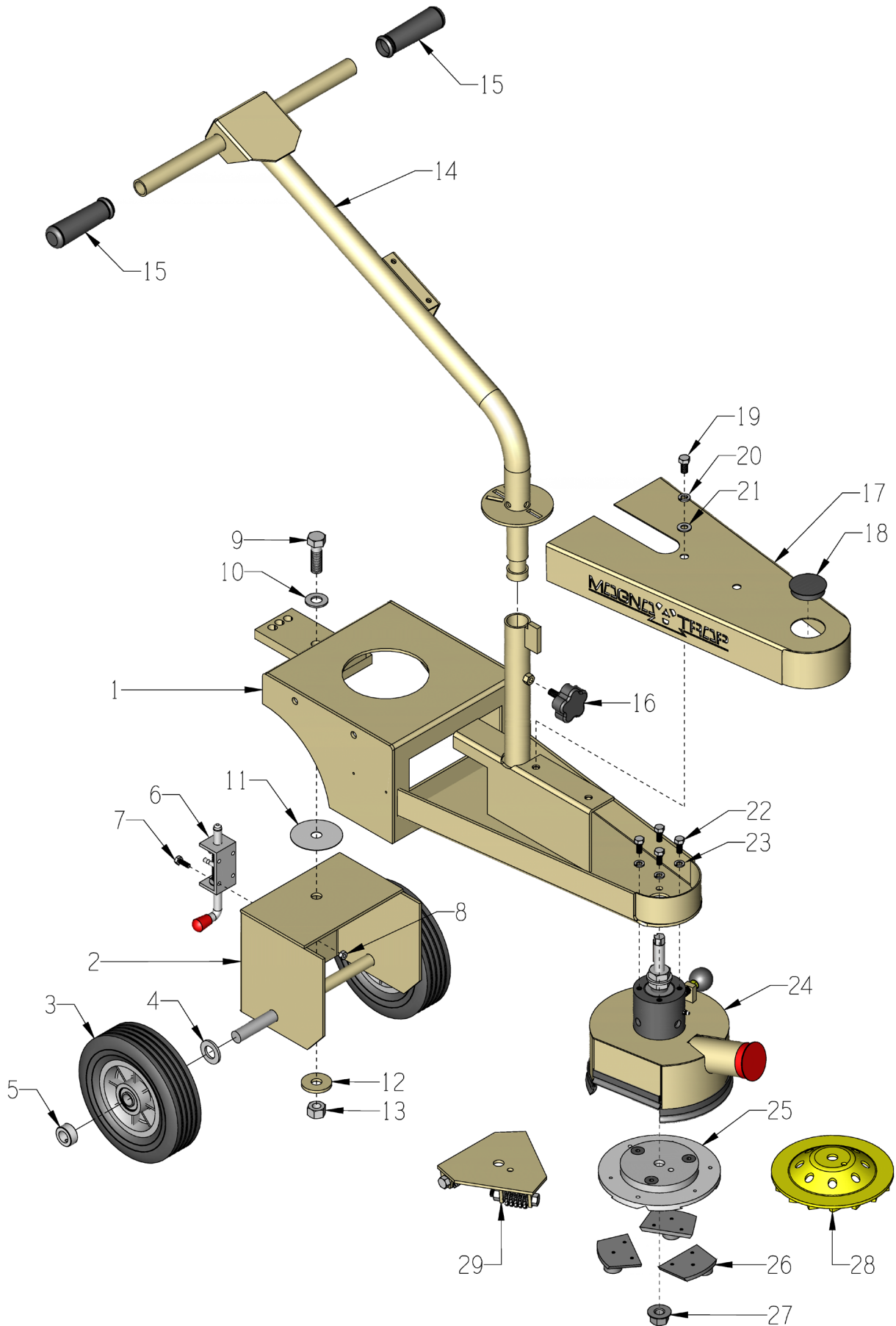
Date of Purchase _____

Model # _____

Serial # _____

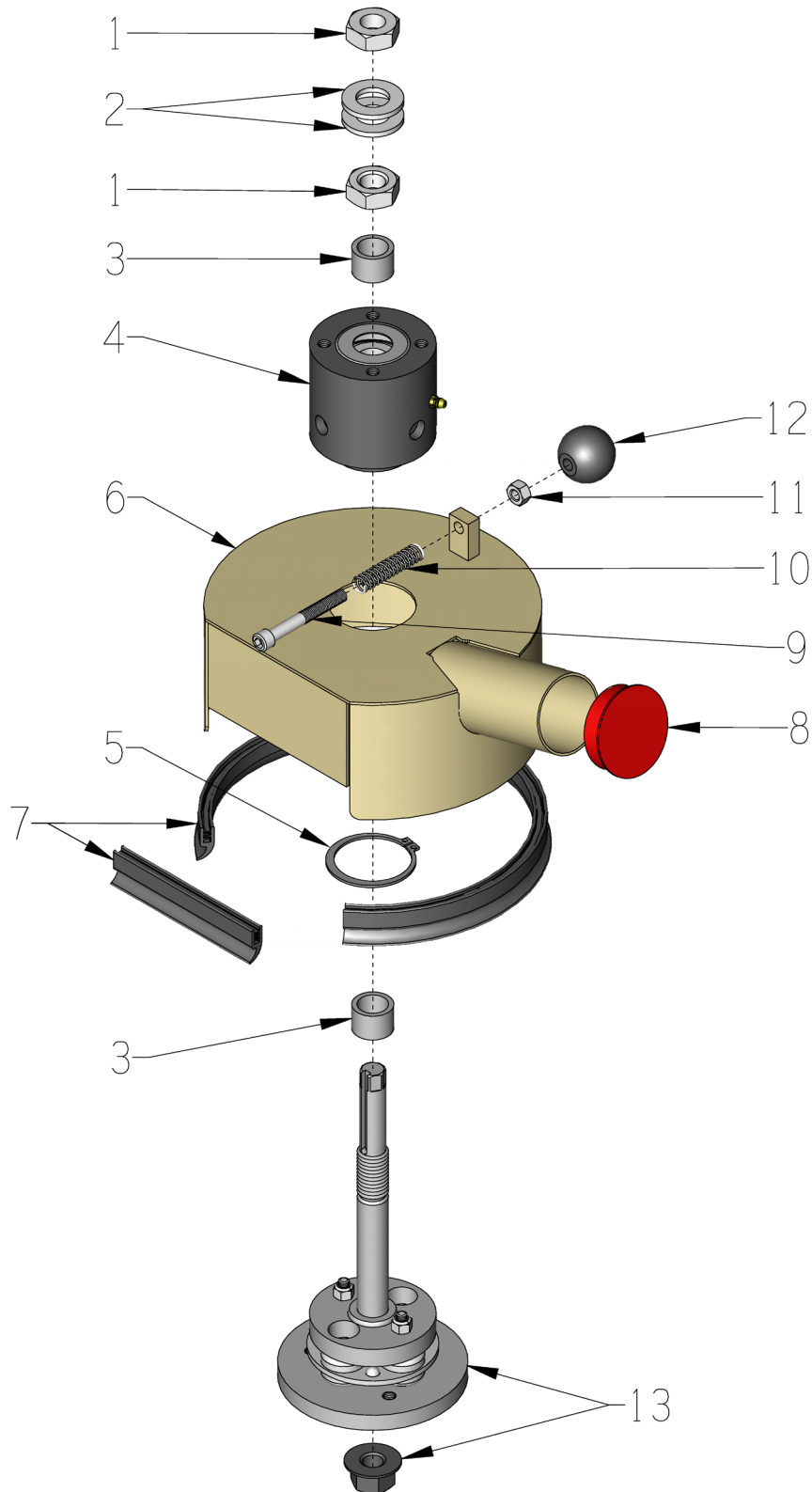
SKU # _____

ILLUSTRATION 1: MAIN GROUPING



PARTS LISTING - ILLUSTRATION 1: MAIN GROUPING			
ITEM #	PART #	DESCRIPTION	QTY.
1	72320	MAIN FRAME, TMC-7	1
2	72302	CHASSIS, WHEEL, TMC-7	1
3	79013	WHEEL, 8 X 2-1/2 X 3/4"BRG.POLY HUB	2
4	10009	WASHER, FLAT 3/4 SAE	2
5	10428	COLLAR, LOCKING 3/4"ID	2
6	72304	LATCH, SPRING 1/2" SNAP LOCK	1
7	11634	SCREW, CAP M6-1.0 X 20MM	4
8	28026	NUT, HEX NYLON LOCK M6-1.0	4
9	10350	SCREW, CAP 5/8-11 X 2	1
10	10073	WASHER, FLAT 5/8 SAE ZINC	1
11	72309	WASHER, DELRIN 3 X 5/8 X 1/32, TMC7	1
12	72303	WASHER, WHEEL CHASSIS, TMC-7	1
13	11707	NUT, HEX NYLON LOCK 5/8-11	1
14	72305	HANDLE BAR, TMC-7	1
15	10608	GRIP, HAND 1" MODEL AT	2
16	51230	KNOB, STAR CLAMPING 3/8-16 X 1"STUD	1
17	72306	COVER, BELT, TMC-7	1
18	65022	PLUG, HOLE 2"	1
19	10907	SCREW, CAP 3/8-16 X 3/4	2
20	10811	WASHER, LOCK 3/8 ZINC	2
21	10025	WASHER, FLAT 3/8 SAE ZINC	2
22	10801	WASHER, LOCK 5/16 ZINC	4
23	10053	SCREW, CAP 5/16-18 X 3/4	4
24		HEAD ASEMBLY W/ COVER (REFER TO ILLUS. 2 & 3 FOR BREAKDOWNS)	1
	72313	FLEX HEAD ASSY. W/ CUT COVER (SHOWN)	
	72312	RIGID HEAD ASSY. W/ FULL COVER	
25	100292	7" MAGNA-TRAP® DISC ASSY. W/ HUB (REFER TO ILLUS. 7 FOR BREAKDOWN)	1
26	SEE CATALOG	MAGNA-TRAP® TOOLING (NOT INCLUDED) SEE EDCO CATALOG FOR TYPES AVAILABLE	3
27	72021	NUT, FLANGE 5/8-11 X 1-3/8 (INCLUDED W/ HEAD ASSY., ITEM 24)	1
28		7" DIAMOND CUPWHEEL (OPTIONAL)	1
	72030 40 - 50 GRIT	
	72029 40 - 50 GRIT HARD BOND	
	72031 150 GRIT	
	72042 PCD W/ BACKING	
29	72040*	SCARIFIER DISC ASSEMBLY 7" (OPTIONAL) *NOTE: USE ON RIGID HEAD ONLY! (REFER TO ILLUS. 8 FOR BREAKDOWN)	1

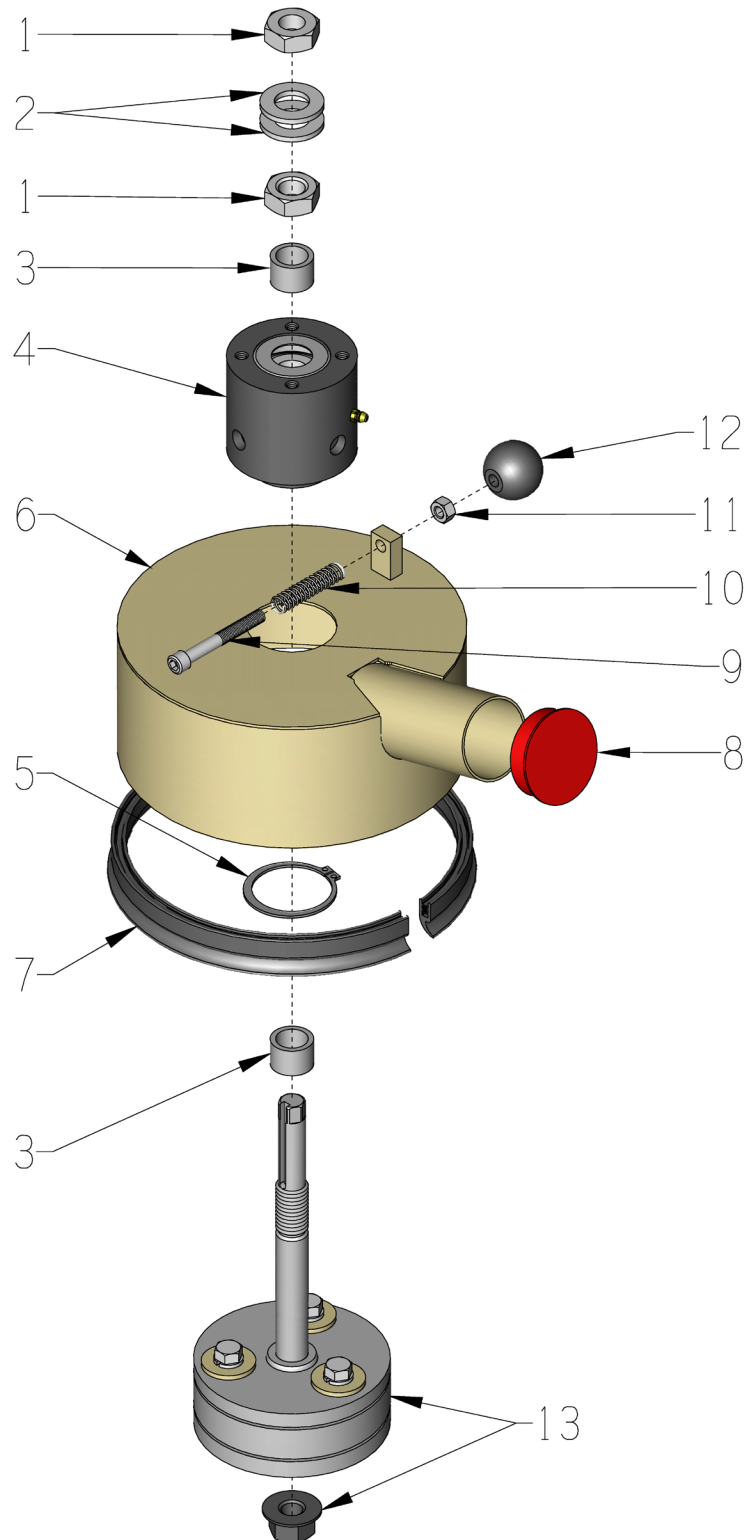
**ILLUSTRATION 2:
FLEX HEAD ASSEMBLY WITH CUT COVER
PART # 72313**



PARTS LISTING - ILLUSTRATION 2: FLEX HEAD ASSEMBLY WITH CUT COVER PART # 72313			
ITEM #	PART #	DESCRIPTION	QTY.
1	10403	NUT, HEX JAM 3/4-10 ZINC	2
2	72215	WASHER, NORD-LOCK 3/4" (PAIR)	1
3	72209	SPACER, 1"OD X 3/4ID X 11/16L,TMC-7	2
4	72210A	HUB ASSEMBLY, BEARING, TMC-7 (SEE ILLUS. 6 FOR BREAKDOWN)	1
5	72212	RETAINING RING, EXT. 2"	1
6	72308	COVER ONLY, CUT, TMC-7	1
7	72314	SEAL-STRIP REPLACEMENT, CUT COVER ONE PIECE CUT 19-1/2"L ONE PIECE CUT 4-3/4"L NOTE: USE INDUSTRIAL STRENGTH ADHESIVE	1
8	65021	CAP/PLUG 2" RED PLASTIC, FLANGED	1
9	11671	SCREW, SKT. HD. CAP 5/16-24 X 2-1/2	1
10	28124	SPRING, COMP. 7/16"OD X 2"FL	1
11	10424	NUT, HEX 5/16-24 ZINC	1
12	10920	KNOB, BALL 1-3/8 W/ 5/16-24THD, BLK	1
13	72316	HEAD ASSY. W/O COVER, FLEX, TMC7 (SEE ILLUS. 4 FOR BREAKDOWN)	1

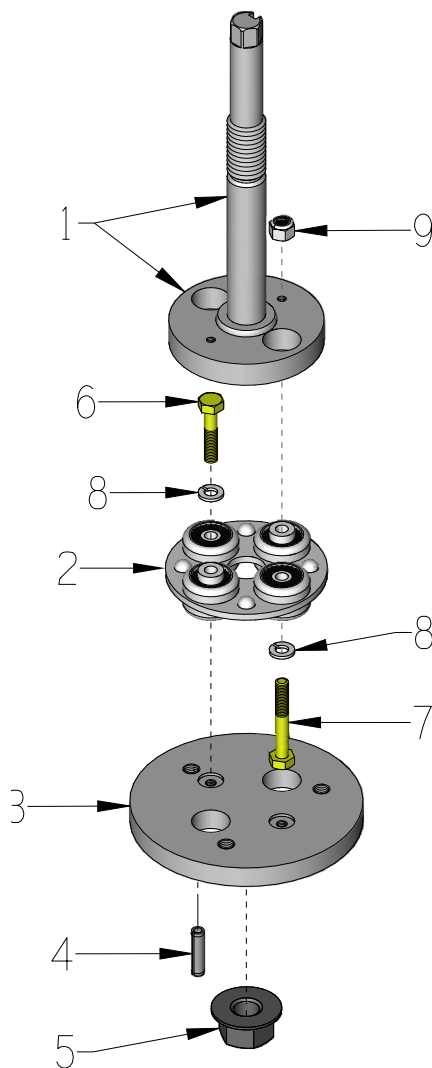
MODEL TMC7-5.5H (STANDARD)
MODEL TMC7-2L (OPTIONAL)

**ILLUSTRATION 3:
RIGID HEAD ASSEMBLY WITH FULL COVER
PART # 72312**



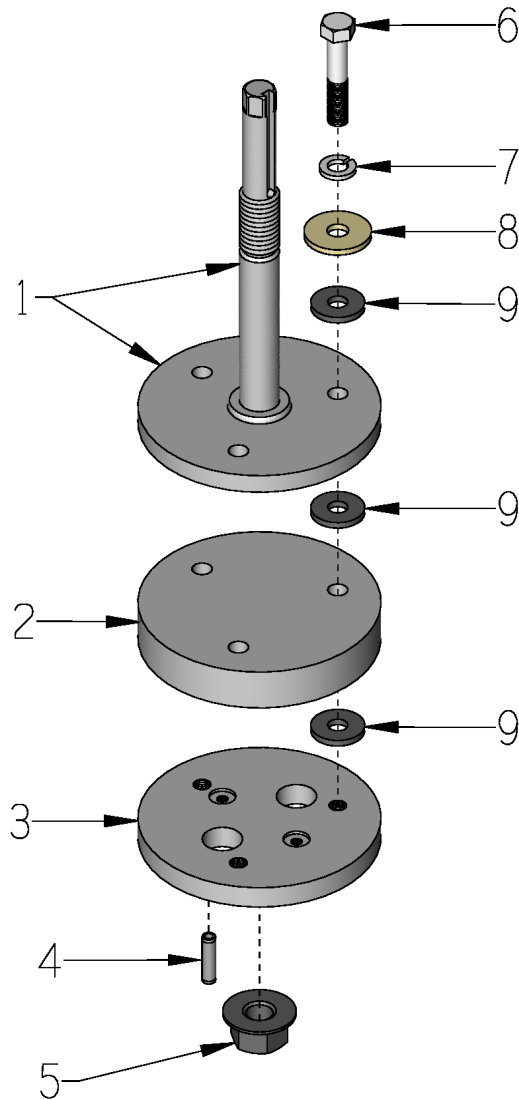
PARTS LISTING - ILLUSTRATION 3: RIGID HEAD ASSEMBLY WITH FULL COVER PART # 72312			
ITEM #	PART #	DESCRIPTION	QTY.
1	10403	NUT, JAM 3/4-10 ZINC	2
2	72215	WASHER, NORD-LOCK 3/4" (PAIR)	1
3	72209	SPACER, 1"OD X 3/4ID X 11/16L (HARDENED)	2
4	72210A	HUB ASSY., BEARING (SEE ILLUS. 6 FOR BREAKDOWN)	1
5	72212	RETAINING RING, EXT. 2"	1
6	72307	COVER ONLY, FULL, TMC-7	1
7	72317	SEAL-STRIP REPLACEMENT, FULL COVER ONE PIECE CUT 25-3/8"L NOTE: USE INDUSTRIAL STRENGTH ADHESIVE	1
8	65021	CAP/PLUG 2" RED PLASTIC, FLANGED	1
9	11671	SCREW, SKT. HD. CAP 5/16-24 X 2-1/2	1
10	28124	SPRING, COMP. 7/16"OD X 2"FL	1
11	10424	NUT, HEX 5/16-24 ZINC	1
12	10920	KNOB, BALL 1-3/8 W/ 5/16-24THD, BLK	1
13	72315	HEAD ASSY. W/O COVER, RIGID, TMC7 (SEE ILLUS. 5 FOR BREAKDOWN)	1

**ILLUSTRATION 4:
FLEX HEAD ASSEMBLY WITHOUT COVER
PART # 72316**



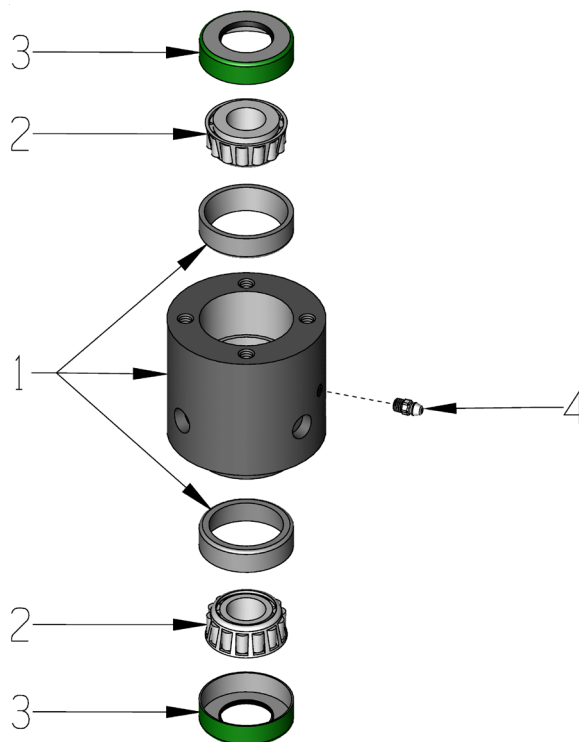
ITEM #	PART #	DESCRIPTION	QTY.
1	72208	FLANGE W/ SHAFT, FLEX, TMC-7	1
2	72025	COUPLING, MORFLEX 302 CENTER	1
3	72024	FLANGE, DISC/CUP WHEEL MOUNTING	1
4	10049	PIN, ROLL 1/4 X 1	1
5	72021	NUT, FLANGE 5/8-11 X 1-3/8	1
6	11656	SCREW, CAP 1/4-28 X 1-1/4, GRADE 8	2
7	11657	SCREW, CAP 1/4-28 X 1-3/4, GRADE 8	2
8	10038	WASHER, LOCK 1/4 ZINC	4
9	11662	NUT, HEX NYLON JAM 1/4-28 ZINC	2

**ILLUSTRATION 5:
 RIGID HEAD ASSEMBLY WITHOUT COVER
 PART # 72315**



ITEM #	PART #	DESCRIPTION	QTY.
1	72310	FLANGE W/ SHAFT, RIGID, TMC-7	1
2	72311	SPACER, RIGID HEAD	1
3	72024	FLANGE, DISC/CUP WHEEL MOUNTING	1
4	10049	PIN, ROLL 1/4 X 1	1
5	72021	NUT, FLANGE 5/8-11 X 1-3/8	1
6	10030	SCREW, CAP 3/8-24 X 2	3
7	10811	WASHER, LOCK 3/8 ZINC	3
8	72006	WASHER, 1-1/4OD X 13/32ID X 1/8THK	3
9	42224	BUSHING, RUBBER 1"OD X 3/8"ID X 1/8	9

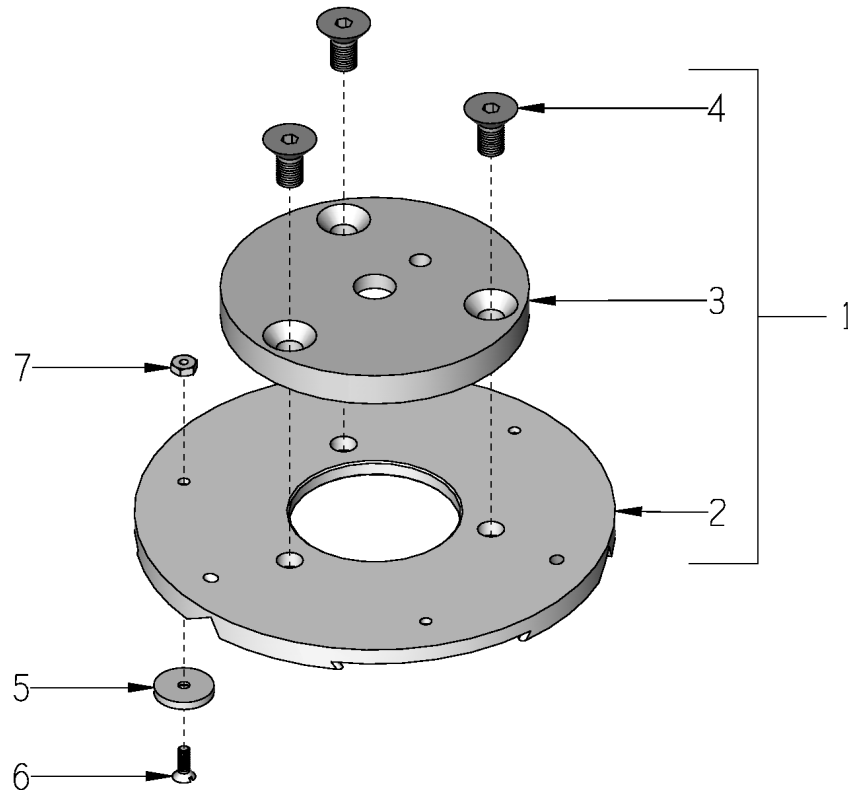
**ILLUSTRATION 6:
BEARING HUB ASSEMBLY
PART # 72210A**



NOTE: USE LUBRIPLATE 930-AA HIGH TEMPERATURE GREASE OR EQUIVALENT.

ITEM #	PART #	DESCRIPTION	QTY.
1	72210	HUB, BEARING, TMC-7	1
	3686	BEARING CUP LM11910 (REPLACEMENT) NOTE: BEARING CUPS ARE PRESSED IN HUB.	2
2	3687	BEARING, TAPERED ROLLER 3/4"ID CONE	2
3	72211	SEAL, BEARING HUB, TMC-7	2
4	10808	FITTING, GREASE 1/4-28 STRAIGHT	1

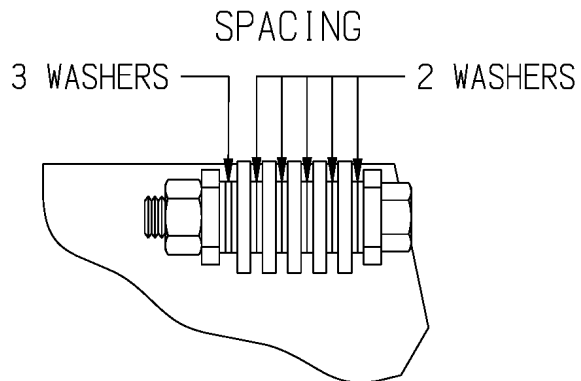
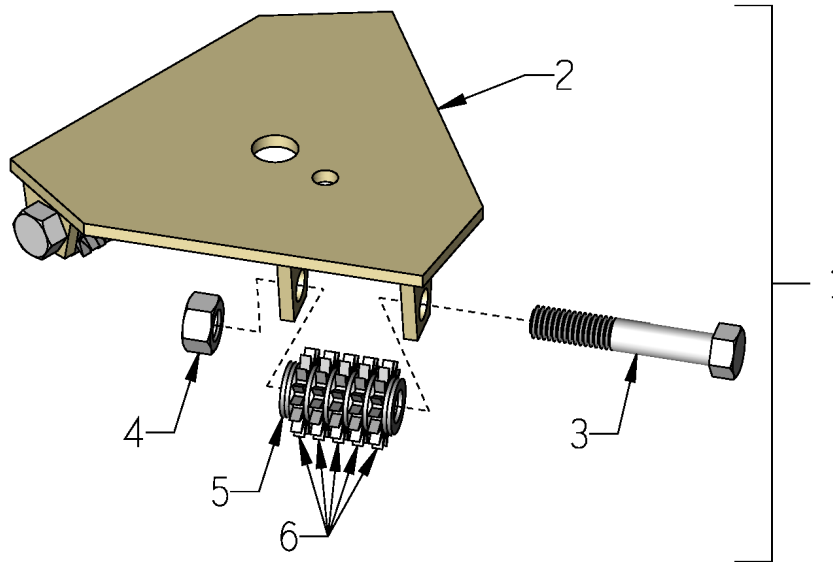
**ILLUSTRATION 7:
MAGNA-TRAP® DISC ASSEMBLY
PART #100292**



ITEM #	PART #	DESCRIPTION	QTY.
1	100292	7" MAGNA-TRAP DISC ASSY., TMC7 (INCLUDES ITEMS 2 THRU 4)	1
2	100294	7" MAGNA-TRAP DISC W/ MAGNETS	1
3	100293	HUB, 7" MAGNA-TRAP DISC, TMC7	1
4	86108	SCREW, FLAT HD SKT 3/8-24 X 3/4	3
5	36064	MAGNET, NEODYMIUM RING 7/8 X 1/8 (REPLACEMENT - USE HARDWARE, ITEMS 6 & 7)	3
6	10647	SCREW, FLAT HD PHILLIPS 8-32 X 1/2	3
7	10462	NUT, KEPS LOCK 8-32 ZINC	3

**ILLUSTRATION 8:
OPTIONAL SCARIFIER DISC ASSEMBLY
PART #72040**

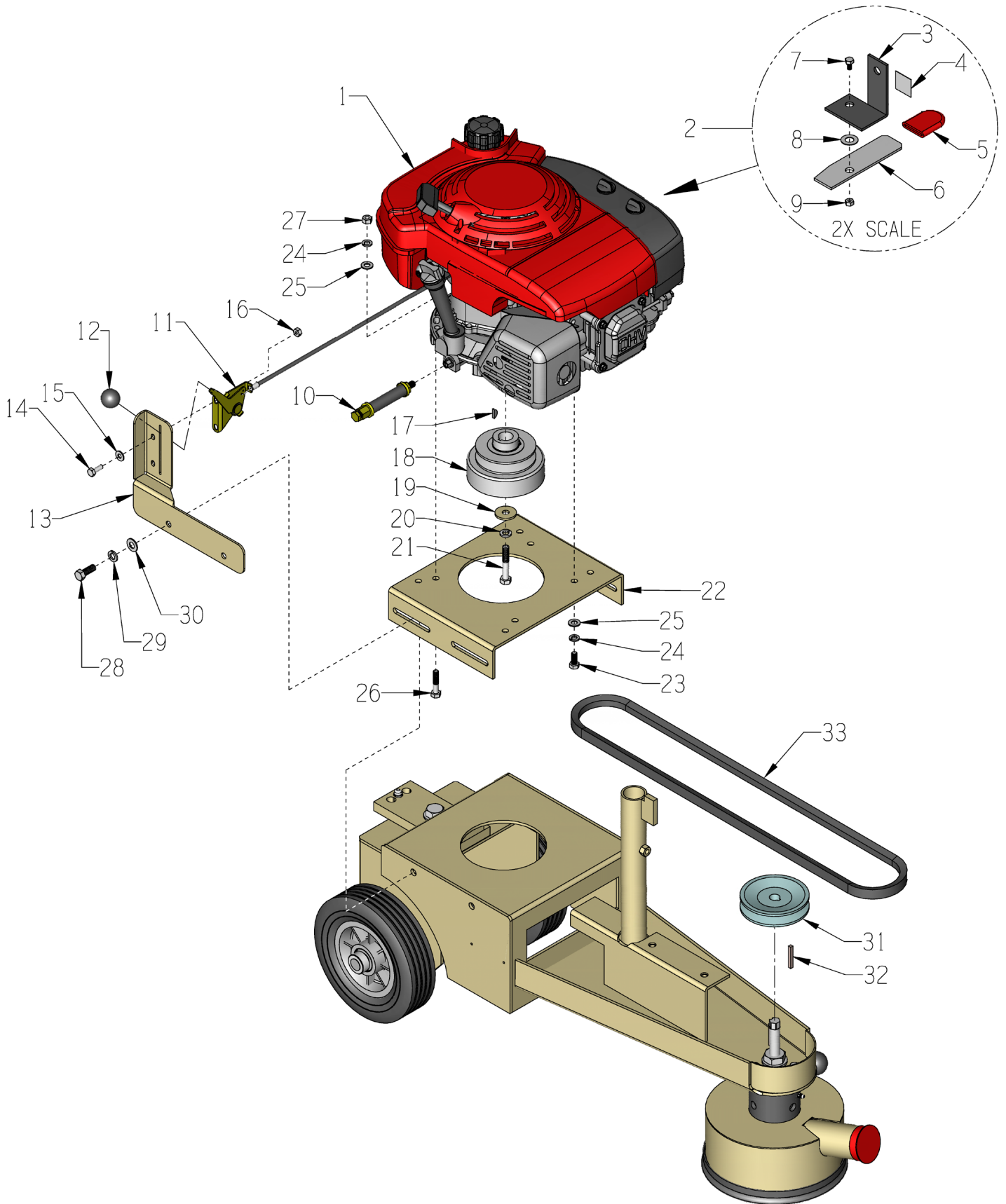
IMPORTANT! - USE ON MODELS WITH RIGID HEAD ONLY!



ITEM #	PART #	DESCRIPTION	QTY.
1	72040	SCARIFIER DISC ASSY. 7" (INCLUDES ITEMS 2 THRU 6)	1
2	72041	DISC, SCARIFIER 7"	1
3	10175	SCREW, CAP 7/16-14 X 2-1/2 GRADE 8	3
4	10176	NUT, HEX NYLON LOCK 7/16-14 ZINC	3
5	72045	WASHER, FLAT 7/16" 18-8SS AN960	39
6	72050	CUTTER WHEEL 1-3/16"(SOLID CARBIDE)	15

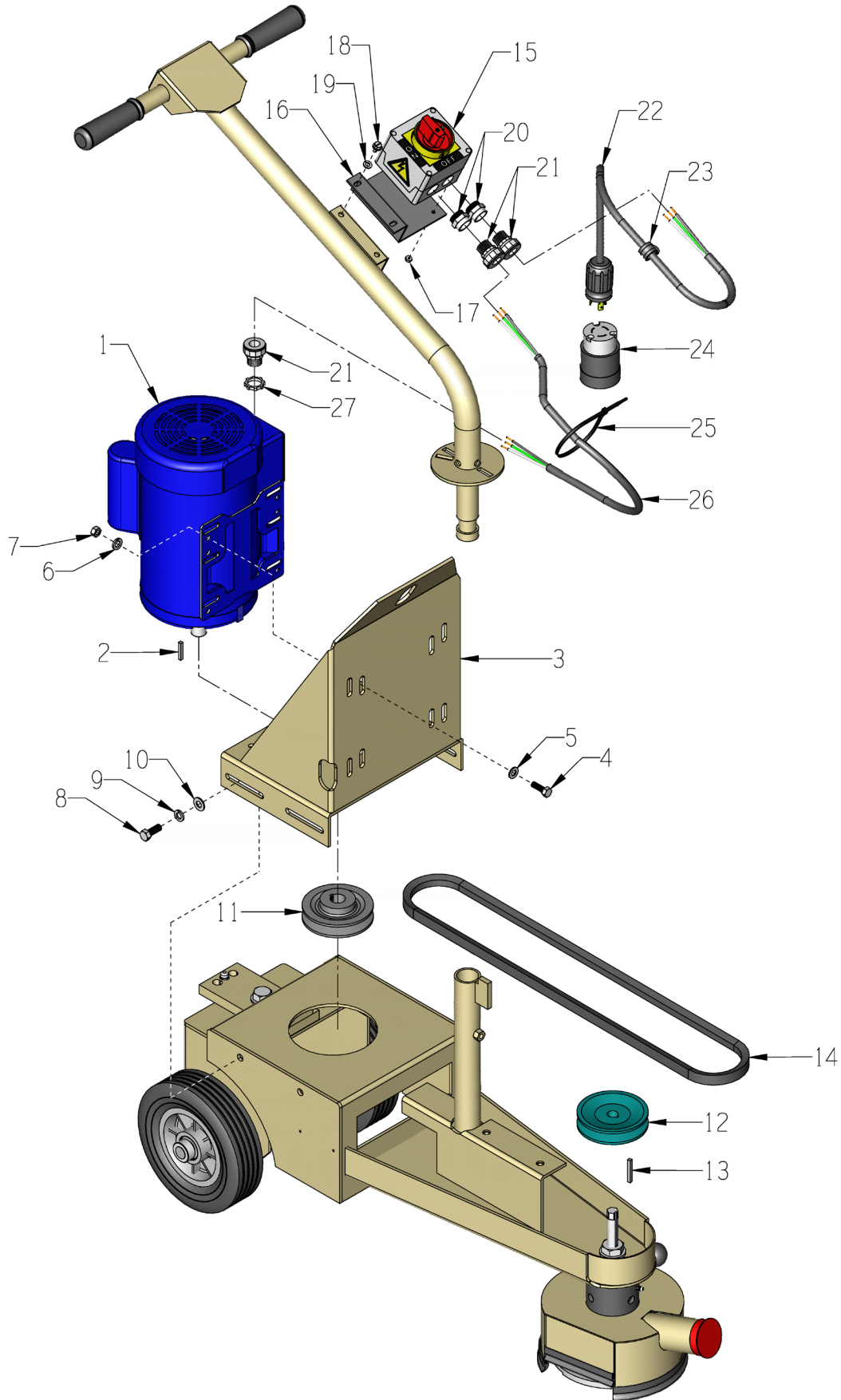
THIS PAGE WAS LEFT BLANK INTENTIONALLY

ILLUSTRATION 9: ENGINE GROUPING



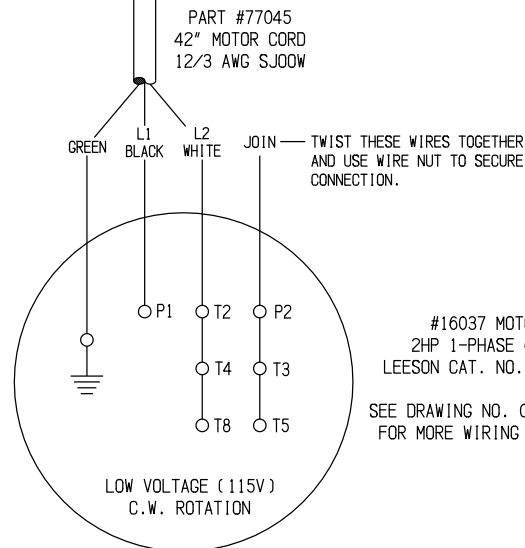
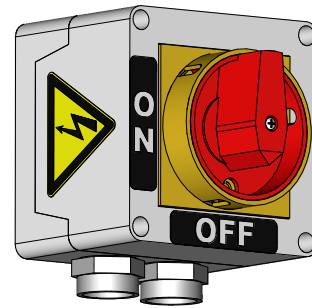
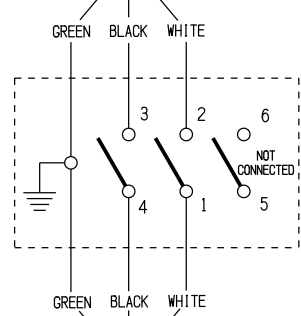
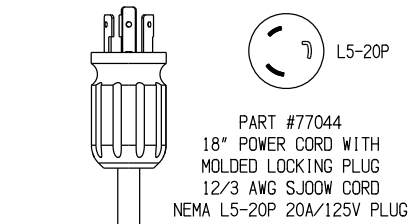
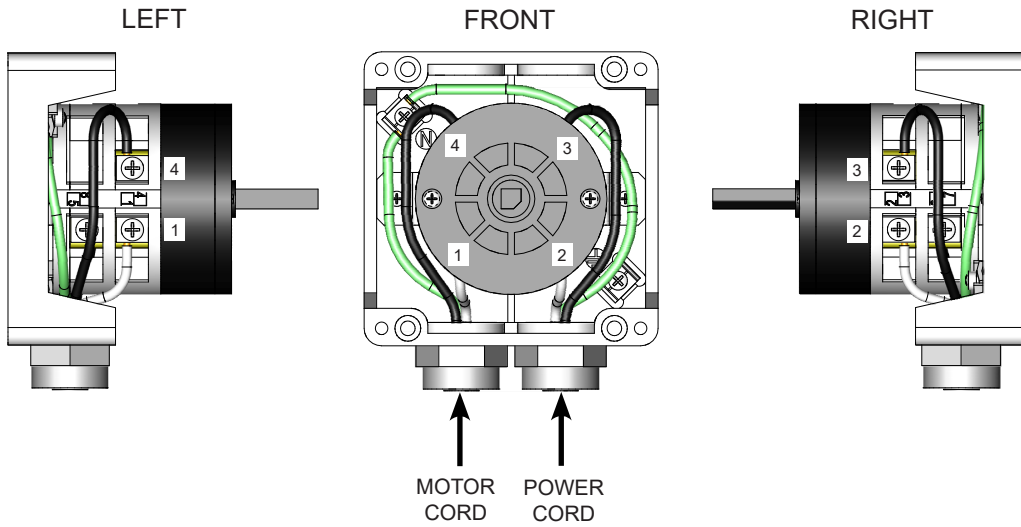
PARTS LISTING - ILLUSTRATION 9: ENGINE GROUPING			
ITEM #	PART #	DESCRIPTION	QTY.
1	76020	ENGINE, HONDA GXV160UH2-N12	1
2	15180	MANUAL CHOKE KIT FOR HONDA GXV160 (INCLUDES ITEMS 3 THRU 9)	1
3	15182	BRKT., CHOKE CONTROL, GXV160	1
4	91301	DECAL, CHOKE 5/8 X 5/8	1
5	15184	CAP, FLAT RED .062 X .75 X 1	1
6	15181	LEVER, CHOKE CONTROL, GXV160	1
7	10834	SCREW, CAP 1/4-20 X 1/2 ZINC	1
8	15186	WASHER, BELLEVILLE .500 X.255 X.018	1
9	10150	NUT, HEX NYLON LOCK 1/4-20	1
10	40327	OIL DRAIN KIT, 4 THRU 6.5 HP HONDA	1
11	100246	LEVER CONTROL ASSY., THROTTLE	1
12	100222	LEVER CONTROL, KNOB	1
13	100244	THROTTLE MOUNTING BRKT., TMC7	1
14	10018	SCREW, CAP 1/4-20 X 3/4	2
15	10602	WASHER, FLAT 1/4 SAE ZINC	2
16	10861	NUT, KEPS LOCK 1/4-20 ZINC	2
17	10019	KEY, WOODRUFF 5/32 X 5/8 (SAE #6)	1
18	77024	CLUTCH, CENTRIFUGAL 3.5 X 1GR X 7/8	1
19	72006	WASHER, 1-1/4OD X 13/32ID X 1/8THK	1
20	10811	WASHER, LOCK 3/8 ZINC	1
21	10336	SCREW, CAP 3/8-24 X 2-1/4	1
22	86311	MOUNT, ENGINE	1
23	10048	SCREW, CAP 5/16-24 X 3/4	3
24	10801	WASHER, LOCK 5/16	4
25	10213	WASHER, FLAT 5/16 SAE	4
26	10204	SCREW, CAP 5/16-18 X 1-3/4	1
27	10054	NUT, HEX 5/16-18 ZINC	1
28	10055	SCREW, CAP 3/8-16 X 1	4
29	10811	WASHER, LOCK 3/8	4
30	10025	WASHER, FLAT 3/8 SAE	4
31	72223	SHEAVE 4"OD X 1GR.B X 5/8"BORE	1
32	10016	KEY 3/16SQ X 1-1/2	1
33	10282	BELT B-53	1

ILLUSTRATION 10: MOTOR GROUPING



PARTS LISTING - ILLUSTRATION 10: MOTOR GROUPING			
ITEM #	PART #	DESCRIPTION	QTY.
1	16037	MOTOR, LEESON 2HP-1PH-60Hz-1740RPM-115/230V CAT. NO.120867	1
		<u>REPLACEMENT PARTS:</u>	
	16167	CAPACITOR, START, LEESON 003025.18 (600MFD 125V)	1
	16174	CAPACITOR, RUN, LEESON 003014.02 (50MFD-240V)	1
	16161	RESET BUTTON, LEESON BRJ44DB	1
2	N/A	KEY 3/16"SQ. X 1-3/8"L (INCLUDED W/ MOTOR)	1
3	86404	MOUNT, MOTOR	1
4	10806	SCREW, CAP 5/16-18 X 1	4
5	10213	WASHER, FLAT 5/16 SAE ZINC	4
6	10801	WASHER, LOCK 5/16 ZINC	4
7	10054	NUT, HEX 5/16-18 ZINC	4
8	10055	SCREW, CAP 3/8-16 X 1	4
9	10811	WASHER, LOCK 3/8 ZINC	4
10	10025	WASHER, FLAT 3/8 SAE ZINC	4
11	72012	SHEAVE 4"OD X 1GR.B X 7/8"BORE	1
12	72223	SHEAVE 4"OD X 1GR.B X 5/8"BORE	1
13	10016	KEY 3/16SQ X 1-1/2	1
14	10282	BELT B-53	1
15	77043	SWITCH, ROTARY CAM ON/OFF	1
		<u>REPLACEMENT PARTS:</u>	
	77043-2	SWITCH HANDLE, PADLOCKABLE, LOVATO	1
	77043-4	GASKET RING, OPERATOR, LOVATO	1
16	77042	BRACKET, ROTARY CAM SWITCH	1
17	10462	NUT, KEPS 8-32 (SHOWN)	4
	11663	SCREW, MACHINE 8-32 X 1/2 RHCD (NOT SHOWN)	4
18	10846	SCREW, CAP STSHW 1/4-20 X 5/8	2
19	10038	WASHER, LOCK 1/4 ZINC	2
20	77043-1	SWITCH ADAPTER, PG16 TO 1/2"NPT	2
21	41130	STRAIN RELIEF 1/2NPT X .550-.650"	3
22	77044	PLUG W/ 12/3 CORD, LOCKING L5-20P	1
23	11690	CLAMP, LOOM, 3/8"	1
24	40041	CONNECTOR, LOCKING 20A/125V L5-20C	1
25	10982	TIE, CABLE, BLACK NYLON 11-1/4"	1
26	77045	WIRE HARNESS 12/3 X 42"LOA	1
27	10790	CONDUIT LOCK NUT 1/2 NP (LOCATED INSIDE THE JUNCTION BOX)	1

SWITCH WIRING DIAGRAM

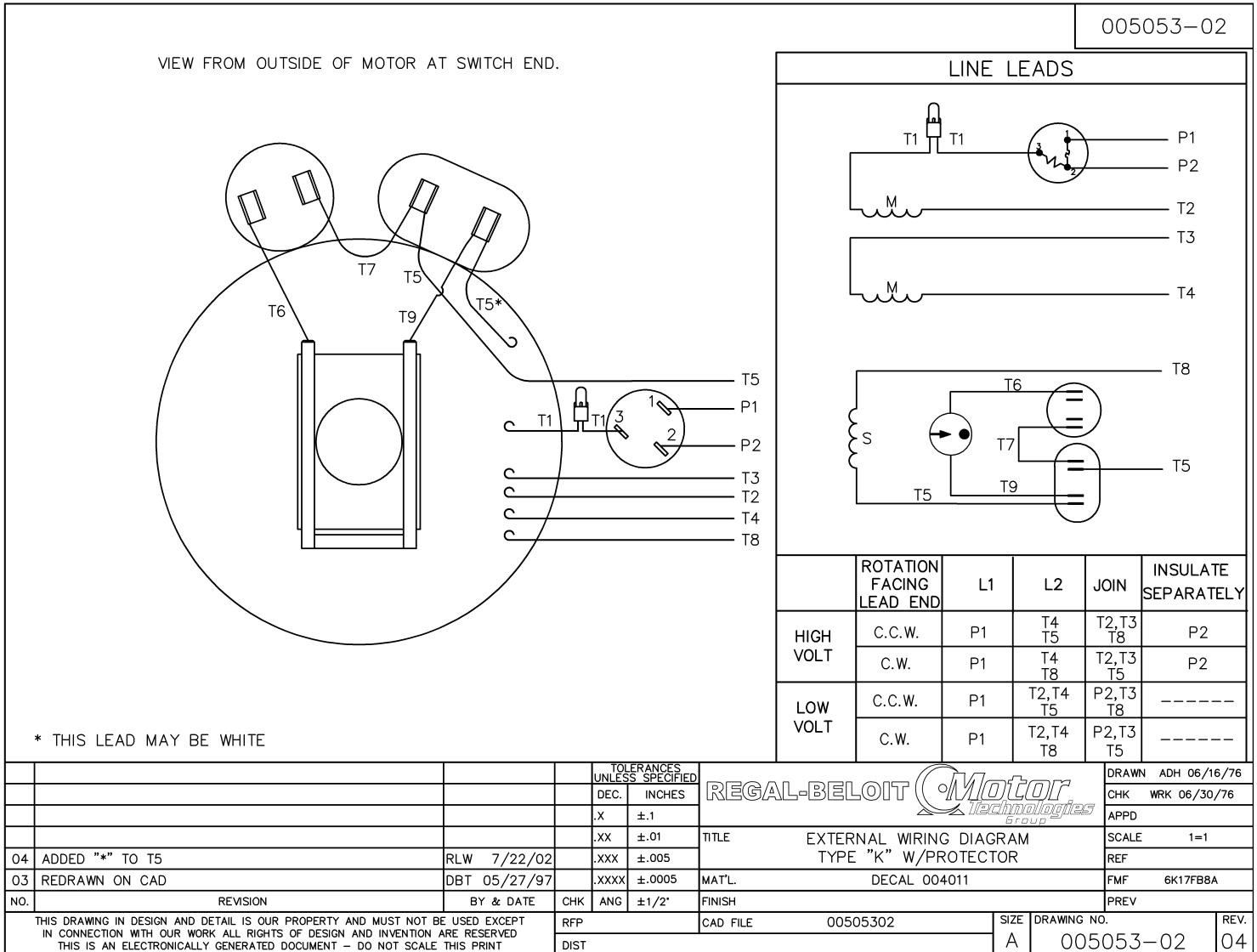


#16037 MOTOR
2HP 1-PHASE 60Hz
LEESON CAT. NO. 120867
SEE DRAWING NO. 005053-02
FOR MORE WIRING DETAILS

MOTOR WIRING DIAGRAM

LEESON CAT. NO. 120867
2 H.P. - 1 PHASE - 60 Hz - 115/230 VOLT

USE CONNECTIONS FOR CLOCK-WISE (C.W.) ROTATION SHOWN BELOW IN CHART
 MOTOR CORD: L1 = BLACK WIRE, L2 = WHITE WIRE, GROUND = GREEN WIRE
 LOW VOLT (115V) STANDARD, HIGH VOLT (230V) OPTIONAL



DECAL SHEET

P/N 92216 RevC TMC-7 14 x 17



WARNING: Cancer and Reproductive Harm, For more information, go to www.P65Warnings.ca.gov



SWITCH BOX & MOTOR



LIMITED EQUIPMENT WARRANTY OF SALE

Equipment Development Company, Inc. herein referred to as EDCO (Seller) warrants that each new unit manufactured by EDCO to be free from defects in material and workmanship in normal use and service for a period of (1) one year (except for the cutter drum assembly on all model concrete/asphalt planers AND the chisel head assembly on all model ALR's & ALR-BS in which case the warranty period shall be 90 days) from date of shipment to the original retail or equipment rental center owner.

Accessories or equipment furnished and installed on the product by EDCO but manufactured by others, including, but not limited to engines, motors, electrical components, transmissions etc., shall carry the accessory manufacturers own warranty.

EDCO will, at its option, repair or replace, at the EDCO factory or at a point designated by EDCO, any part which shall appear to the satisfaction of EDCO inspection to have been defective in material or workmanship.

EDCO reserves the right to modify, alter and improve any part or parts without incurring any obligation to replace any part or parts previously sold without such modified, altered or improved part or parts.

This warranty is in lieu of and excludes all other warranties, expressed, implied, statutory, or otherwise created under applicable law including, but not limited to the warranty of merchantability and the warranty of fitness for a particular purpose in no event shall seller or the manufacturer of the product be liable for special, incidental, or consequential damages, including loss of profits, whether or not caused by or resulting from the negligence of seller and/or the manufacturer of the product unless specifically provided herein. In addition, this warranty shall not apply to any products or portions thereof which have been subjected to abuse, misuse, improper installation, maintenance, or operation, electrical failure or abnormal conditions and to products which have been tampered with, altered, modified, repaired, reworked by anyone not approved by seller or used in any manner inconsistent with the provisions of the above or any instructions or specifications provided with or for the product.

TERMS AND CONDITIONS

(NOT APPLICABLE TO SALES THROUGH AUTHORIZED DISTRIBUTION)

FORCE MAJEURE

Seller's obligation hereunder are subject to, and Seller shall not be held responsible for, any delay or failure to make delivery of all or any part of the Product due to labor difficulties, fires, casualties, accidents, acts of the elements, acts of God, transportation difficulties, delays by a common carrier, inability to obtain Product, materials or components or qualified labor sufficient to timely perform part of or all of the obligations contained in these terms and conditions, governmental regulations or actions, strikes, damage to or destruction in whole or part of manufacturing plant, riots, terrorist attacks or incidents, civil commotions, warlike conditions, flood, tidal waves, typhoon, hurricane, earthquake, lightning, explosion or any other causes, contingencies or circumstances within or without the United States not subject to the Seller's control which prevent or hinder the manufacture or delivery of the Products or make the fulfillment of these terms and conditions impracticable. In the event of the occurrence of any of the foregoing, at the option of Seller, Seller shall be excused from the performance under these Terms and Conditions, or the performance of the Seller shall be correspondingly extended.

This document sets forth the terms and conditions pursuant to which the purchaser ("Purchaser") will purchase and Equipment Development Co. Inc. ("Seller") will sell the products, accessories, attachments (collectively the Products) ordered by the Purchaser. These terms and conditions shall govern and apply to the sale of Seller's Products to Purchaser, regardless of any terms and conditions appearing on any purchase order or other forms submitted by Purchaser to Seller, or the inconsistency of any terms therein and herein.

1. PRICE

All prices set forth on any purchase order or other document are F.O.B. Sellers facility or distribution point, as may be determined by Seller (F.O.B. Point). All prices are exclusive of any and all taxes, including, but not limited to, excise, sales, use, property or transportation taxes related to the sale or use of the Products, now or hereafter imposed, together with all penalties and expenses. Purchaser shall be responsible for collecting and/or paying any and all such taxes, whether or not they are stated in any invoice for the Products. Unless otherwise specified herein, all prices are exclusive of inland transportation, freight, insurance and other costs and expenses relating to the shipment of the Products from the F.O.B. point to Purchaser's facility. Any prepayment by Seller of freight insurance and other costs shall be for the account of Purchaser and shall be repaid to Seller.

2. PAYMENT TERMS

Payment terms are as follows. 2% 10 days (to approved and qualified accounts). Net 30 days. This is a cash discount for invoices paid within 10 days after the invoice date, regardless of date of receipt of shipment. This is not a trade discount and will not be granted to accounts that do not adhere to stated terms.

*All past due accounts are subject to a late payment fee of 1.5% per month or a maximum allowed by law if different, along with the expenses incidental to collection including reasonable attorney's fees and costs.

*Seller reserves the right to hold shipments against past due accounts.

*Seller reserves the right to alter payment terms.

3. FREIGHT TERMS

All shipments will be made F.O.B. shipping point as designated in these Terms and Conditions, and title shall pass at the F.O.B. point. Delivery to the initial common carrier shall constitute delivery to the Purchaser. Any claims for loss or damage during shipment are to be filed with carrier by the Purchaser. Seller will not assume responsibility for the performance of the carrier.

Back orders will be shipped in the most practical fashion with charges consistent with our freight policy established with the original order. UPS, FED EX, MAIL or shipments by other couriers are subject to the same terms and conditions as outlined in paragraph #3 "Freight Terms".

4. DELIVERY, DAMAGES, SHORTAGES

Seller shall use reasonable efforts to attempt to cause the Products to be delivered as provided for in these Terms & Conditions. Delivery to the initial common carrier shall constitute the delivery to the Purchaser. Seller's responsibility, in so far as transportation risks are concerned ceases upon the delivery of the Products in good condition to such carrier at the F.O.B. point and all the Products shall be shipped at the Purchaser's risk. Seller shall not be responsible or liable for any loss of income and/or profits, or incidental, special, consequential damages resulting from Seller's delayed performance in shipment and delivery.

5. RETURN OF DEFECTIVE PRODUCTS

Defective or failed material shall be held at the Purchaser's premises until authorization has been granted by Seller to return or dispose of Products. Products that are to be returned for final inspection must be returned Freight Prepaid in the most economical way. Credit will be issued for material found to be defective upon Seller's inspection based on prices at time of purchase.

6. PRODUCTS ORDERED IN ERROR

Products may be returned, provided that claim is made and Seller is notified within 7 days of receipt of Products, and the Products are in original buyer's possession not more than 30 days prior to return, subject to Seller's approval. If Products are accepted for return, they must be Freight Prepaid and buyer will be charged a minimum of 15% restocking charge, plus a charge back for outbound freight charges if the original order was shipped prepaid. Returns are not accepted for any Products that are specifically manufactured to meet the buyer's requirement of either specifications or quantity.

AGREEMENTS

These Terms and Conditions constitute the entire agreement between Seller and Purchaser as it relates to terms and conditions of sale, and supersedes any and all prior oral or written agreements, correspondence, quotations or understandings heretofore in force between the parties relating to the subject matter hereof. There are no agreements between Seller and Purchaser with respect to the Product herein except those specifically set forth in and made part of these terms and conditions. Any additional terms, conditions and/or prices are rejected by Seller.

These terms and conditions may be modified, cancelled or rescinded only by a written agreement of both parties executed by their duly authorized agents.

USE ONLY GENUINE EDCO PARTS & ACCESSORIES

For your own safety, the safety of others and the life of your machine.

SUBMIT ALL WARRANTY CLAIMS AT:

edcoinc.com/customer-support/warranty-claim-form/



BEFORE USING THIS PRODUCT

Have You Used EDCO's Online Customer Support??



Scan This QRC or Visit
www.edcoinc.com/customer-support



READ: **EDCO Owner's Manuals and Parts Listings** share basic information and parts of each product. Download and print them whenever needed.



WATCH: **EDCO Product Training Videos** show how to use products, install tooling, and perform basic maintenance.



Example Only

FIND: Somewhere on this product is an **EDCO QRC Training Decal**. Scanning this code provides owner's information, videos, and other training content anywhere/anytime on your mobile device.



CONCRETE KNOWLEDGE

JOIN: **EDCOed.com** is a free, 24-hour training space. Each certification track focuses on a specific EDCO product group. The information in these tracks help businesses be successful with those products.

EDCO is always updating online training / information so you always have the most recent content.

Also see Operator's Safety & Limited Warranty Manual

Equipment Development Co., Inc. • 800.638.3326 • techsupport@edcoinc.com