

Operator's Instruction Manual

SELF PROPELLED TILE SHARK



12" Electric Self Propelled Tile Stripper

READ AND UNDERSTAND THE OPERATORS INSTRUCTION MANUAL *THOROUGHLY* BEFORE ATTEMPTING TO OPERATE THIS EQUIPMENT.



Death or serious injury could occur if this machine is used improperly.



SAFETY MESSAGES

- Safety Instructions are preceded by a graphic alert symbol of DANGER, WARNING, or CAUTION.

DANGER

Indicates an imminent hazard which, if not avoided, will result in death or serious injury.

WARNING

Indicates an imminent hazard which, if not avoided, can result in death or serious injury.

CAUTION

Indicates hazards which, if not avoided, could result in serious injury and or damage to the equipment.

GASOLINE/PROPANE POWERED EQUIPMENT

WARNING

- Engine exhaust from this product contains chemicals known to the State of California to cause cancer, birth defects or other reproductive harm.



- Gasoline is extremely flammable and poisonous. It should only be dispensed in well ventilated areas, and with a cool engine.
- Small gasoline engines produce high concentrations of carbon monoxide (CO) example: a 5 HP 4 cycle engine operation in an enclosed 100,000 cu. ft. area with only one change of air per hour is capable of providing deadly concentrations of CO in less than fifteen minutes. Five changes of air in the same area will produce noxious fumes in less than 30 minutes. Gasoline or propane powered equipment should not be used in enclosed or partially enclosed areas. Symptoms of CO poisoning include, headache, nausea, weakness, dizziness, visual problems and loss of consciousness. If symptoms occur - get into fresh air and seek medical attention immediately.

ELECTRICAL POWERED EQUIPMENT



Extreme care must be taken when operating electric models with water present: Ensure power cord is properly grounded, is attached to a Ground-Fault-Interrupter (GFI) outlet, and is undamaged.

- Check all electrical cables - be sure connections are tight and cable is continuous and in good condition. Be sure cable is correctly rated for both the operating current and voltage of this equipment.
- Improper connection of the equipment-grounding conductor can result in a risk of electric shock. Check with qualified electrician or service person if there is any doubt as to whether the outlet is properly grounded. Adhere to all local codes and ordinances.
- **NOTE:** In the event of a malfunction or breakdown, grounding provides a path of least resistance for the electric current to dissipate. The motor is equipped with a grounded plug and must be connected to an outlet that is properly installed and properly grounded. DO NOT modify the plug provided on the motor. If the plug does not fit the outlet have a qualified electrician install the proper receptacle.
- Switch motor OFF **before** disconnecting power.

- Do not disconnect power by pulling cord. To disconnect, grasp the plug, not the cord.
- Unplug power cord at the machine when not in use and before servicing.

GENERAL INSTRUCTIONS

- Equipment should only be operated by trained personnel in good physical condition and mental health (not fatigued). The operator and maintenance personnel must be physically able to handle the bulk weight and power of this equipment.
- This is a one person tool. Maintain a safe operating distance to other personnel. It is the **operators' responsibility** to keep other people (workers, pedestrians, bystanders, etc.) away during operation. Block off the work area in all directions with roping, safety netting, etc. for a safe distance. Failure to do so may result in others being injured by flying debris or exposing them to harmful dust and noise.
- This equipment is intended for commercial use only.
- For the operator's safety and the safety of others, always keep all guards in place during operation.
- Never let equipment run unattended.



- Personal Protection Equipment and proper safety attire must be worn when operating this machinery. The operator must wear approved safety equipment appropriate for the job such as hard hat and safety shoes when conditions require. Hearing protection **MUST** be used (operational noise levels of this equipment may exceed 90db). Eye protection **MUST** be worn at all times.



Keep body parts and loose clothing away from moving parts. Failure to do so could result in dismemberment or death.

- Do not modify the machine.
- Stop motor/engine when adjusting or servicing this equipment. Maintain a safe operating distance from flammable materials. Sparks from the cutting-action of this machine can ignite flammable materials or vapors.



DUST WARNING

WARNING

Some dust created by power sanding, sawing, grinding, drilling, and other construction activities contains chemicals known to cause cancer, birth defects, or other reproductive harm. Some examples of these chemicals are:

- Lead from lead-based paints, and
- Crystalline silica from bricks and concrete and other masonry products.

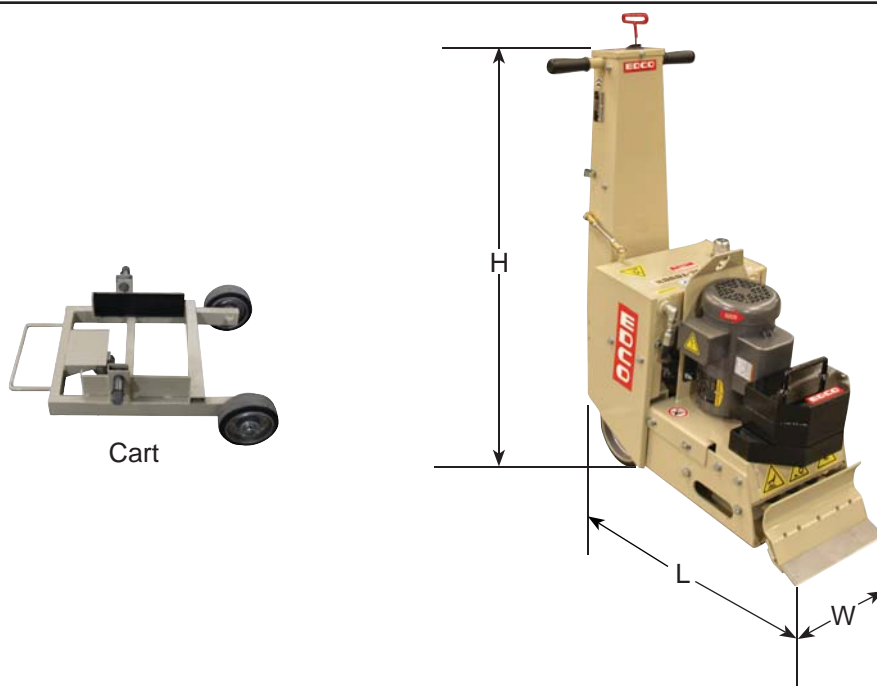
Your risk of exposure to these chemicals varies depending on how often you do this type of work. To reduce your risk: work in a well ventilated area, use a dust control system, such as an industrial-style vacuum, and wear approved personal safety equipment, such as a dust/particle respirator designed to filter out microscopic particles.

Operator's Instruction Manual

EDCO Model SELF PROPELLED TILE SHARK

Table of Contents

Section	Page Number
Specifications.....	3
Safety Guidelines	4
Operating Instructions	5
Removing Machine From Transport Cart.....	6
Preparing The Machine For Use.....	7
Machine Operation.....	8-9
Maintenance	10-11
Limited Equipment Warranty	Back Page



NOTE: Due to improvements your machine may not appear the same as the pictures in this manual.

Figure 1

HOW TO ORDER REPAIR PARTS

To insure product safety and reliability, always use genuine EDCO replacement parts when making repairs to the equipment.

When ordering parts, please specify the MODEL and SERIAL NUMBER of the machine as given on the NAME-PLATE. In addition, give part number, description and quantity as listed on the parts list.

Please note: Due to improvements and changes in the equipment the illustrations shown may be different from the actual machine.

Toll Free: Voice 1-800-638-3326 • Fax 1-800-447-3326

Specifications & dimensions are for reference only and subject to change.

Length (L)	36"	91.44 cm
Width (W)	15 1/2"	39.40 cm
Height (H)	43"	109.22cm
Total Weight	445 lbs.	201.8 kg
Cart Weight	28.6 lbs.	13 kg



100 Thomas Johnson Drive, Frederick, MD 21702-4600 USA
 Phone (301) 663-1600 • 1-800-638-3326
 Fax (301) 663-1607 • 1-800-447-3326
 Website: www.edcoinc.com • Email: sales@edcoinc.com

Printed in USA

TMW ©2009



Read and understand all operating instructions
before operating this equipment.



Death or serious injury can result if this machine is used improperly.



Safety Guidelines



Eye and ear protection must be worn at all times while the Tile Shark is in use. During normal operation, sound pressure levels less than 90dBA. Use only ANSI approved safety glasses to help prevent eye injury. Everyday eyeglasses have only impact resistant lenses; they are NOT safety glasses.



Operator must wear appropriate clothing and footwear. Do not wear loose clothing or jewelry that can get tangled in moving parts. Footwear should provide sure footing and protection.



Materials being removed can be toxic or hazardous. A breathing respirator is required to help protect the operator from inhaling the airborne material when operating this machine.



This is an electric tool. Do not use in a damp or wet location. Death or serious injury will result from electric shock.



While the Self Propelled Tile Shark uses standard household current, use only grounded extension cords appropriately sized for the current draw requirements of this unit (16 amps/115 volts). Check the data plate on the machine to be sure. Be sure to account for voltage drop based on the length of the cord. (Use 12/3 AWG up to 50 ft and 10/3 AWG up to 100ft. If working over 100ft. from the power source consult with an electrician.) Insufficient power will cause the motor to overheat and burn out. Never use frayed, damaged, taped, or underrated extension cords. Death or serious injury can result from electrical shock. Do not let the cord contact hot or sharp surfaces that can cause damage.



If the motor stops for any reason, turn the power switch to OFF and unplug power cord at the machine before investigating the problem. The power may unexpectedly be restored while you are away from the machine. For the same reason, unplug the power cord at the machine before performing any maintenance. Never leave the machine running unattended. Serious injury and/or damage to the equipment could result.

- **Remove the blade before transporting or hoisting the Self Propelled Tile Shark.** The Self Propelled Tile Shark's blade is very sharp and can cause serious bodily injury, damage to any surface it contacts, and or damage to the machine and blade.
- The Self Propelled Tile Shark is designed to be controlled by a single operator.
- Never operate the Self Propelled Tile Shark while under the influence of drugs, alcohol or when taking medications that impair the senses or reactions, or when excessively tired or under stress.
- Be sure decals on the machine can be clearly read and understood. Replace worn or missing decals immediately,

Safety warnings and guidelines do not by themselves eliminate danger.

They are not given as substitutes for proper accident prevention procedures and good judgement.

- A) On/Off Switch
- B) Transport Cart
- C) 12" Blade Retainer
- D) Cushioned Grips for Greater Operator Comfort
- E) 25' AC Power Cord
- F) Oversized Wheels for Easy Maneuverability
- G) Easy access grease points
- H) Heavy duty 1.5 HP motor
- I) Neutral Lock link
- J) Blade removal Hex Wrench

Operating Instructions

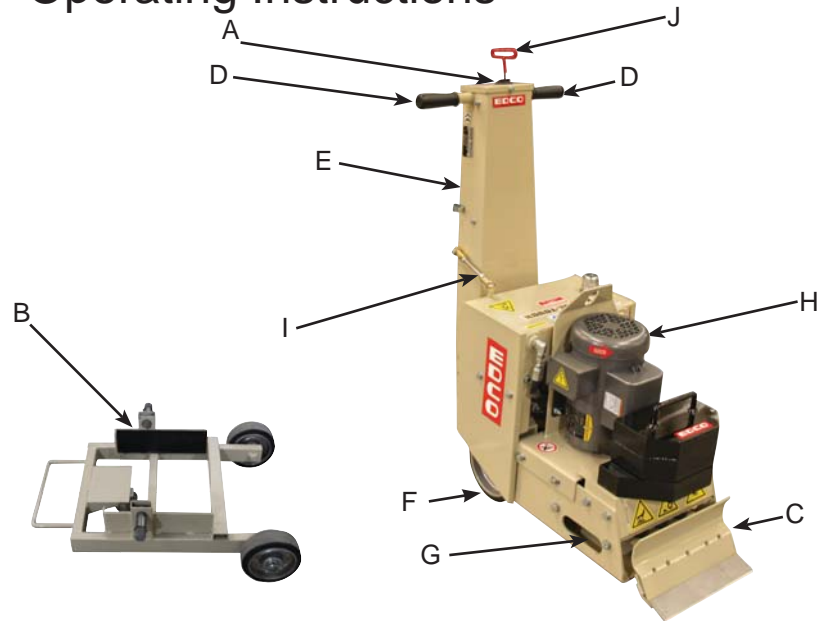


Figure 2

About the Self Propelled Tile Shark:

- The Self Propelled Tile Shark is a low maintenance unit, designed to remove vinyl tile (Note: for ceramic tile the blade retainer has to be removed and a special blade kit is installed), industrial build-ups, adhesives and carpet from flat horizontal surfaces using a rapid action, oscillating blade. The Self Propelled Tile Shark may be used on concrete and/or wood surfaces and operates on standard household current. Do not use the Self Propelled Tile Shark for any purpose other than that for which it was designed. Do not modify the machine.

Before Starting:

- Inspect the work surface for cracks, uneven joints and foreign objects such as nails, screws and pipes. Damage to the blade and/or equipment may result, which can also cause serious injury to the operator. Hazardous areas should be properly identified, clearly marked and avoided.
- Be sure the power switch is in the OFF position. Inspect the power and extension cords before plugging into the power source. Do not use if cord is frayed or showing wear.



Inspect the blade carefully before installing. Blade must be sharp and properly installed. (See page 7) Use only genuine EDCO blades. Do not use **any** questionable blade since serious personal injury and/or damage to property can result. **NOTE: BLADE IS EXTREMELY SHARP!** Wear heavy duty work gloves when changing or handling the blades and handle with care.

- If you need to make a test cut, do it in an inconspicuous area.
- On carpet and sheet floors, pre-cut the material to be removed in a strip as wide as the blade.
- **NOTE:** A special blade is required for ceramic tile removal.

Remove machine from transport cart:

- Make sure the power switch on the machine is in the **OFF** position and unplugged at the power source before proceeding. Remove the weight (circled) from the machine and tilt the machine back as shown in photo "A".



- Slide the locking pin(s) (circled) in photo "B" outward and lower the cart to the floor and away from the machine shown in photo "C".



- Place the weight back on the machine the machine and store the cart in a safe place until it is needed.

Reverse this procedure to place the machine back on the cart.

Preparing the machine for use:

- Make sure the machine is clear of walls and/or obstructions. Note convenient storage of the striker plate wrench on the handle.

CAUTION

- Do not try to force the machine in forward or reverse direction when in use or not in use. Doing so could cause damage to control linkages and “neutral lock” linkage.

- Cutting:**
- Turn the machine OFF when repositioning for another pass.

Concrete Base:

- Generally, on concrete based floors, the bevel on blade should be facing up. (Figure 4 angle exaggerated).
- If removing tile from a concrete base, work diagonally on the tile surface.
- Use only 2/3rds width of blade on each pass. Removing an excessive amount of material could damage the equipment.

Wood Base:

- Generally, on wooden based floors, the bevel on the blade should be facing down. (Figure 5 - angle exaggerated).
- Remove material in the direction of the wood grain to minimize gouging.
NOTE: Some gouging is unavoidable and will occur.
- Use only 2/3rds width of blade on each pass. Removing an excessive amount of material could damage the equipment.



Figure 3

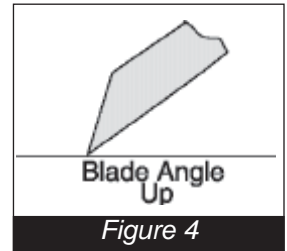


Figure 4

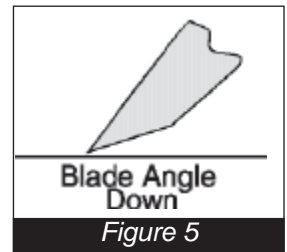


Figure 5

Changing or Rotating the Blade:

CAUTION



Blades are extremely sharp! For your own protection - wear heavy duty work gloves when changing or inspecting blades.



Figure 6

- Unplug machine from power source. Remove top weight before proceeding. Use the appropriate tools & techniques to remove the blade to minimize the chance of the wrench slipping. Tilt machine back to rest on the base of the handle to access hardware on bottom of striker plate (Figure 6).
- Loosen but do not remove the five bolts shown in (Figure 6) from the bottom side of the striker plate.
- Inspect the new EDCO blade and observe blade angle as in (Figures 4 & 5) above.
- Carefully slide the old blade out and replace with the new EDCO blade or rotate blade if changing surfaces. Tighten bolts. Observe blade angle as in (Figures 4 & 5) above.
- Be sure the blade is secure before plugging the Self Propelled Tile Shark back in to the power source.

Machine Operation:

- Make sure the power switch on the machine is in the OFF position before proceeding. Plug the machine into an electrical outlet. Move the neutral lock linkage (circled) in photo "A" from the locked position to the neutral lock clip (circled) in photo "B".



- Move handle forward and backward to insure it is in the neutral position. Move the power switch to the on position. The motor should start but the machine should NOT move.





- To move the machine in the reverse direction pull the handle back towards you in the direction of the arrow. Photo "C".

NOTE: The machine is variable speed, the more you pull on the handle the faster the machine will move in the reverse direction.

- To stop machine movement in either direction move the handle to the "neutral" (center) position as shown in photo "D".

Note: If you are going to leave the machine unattended for any reason unplug, turn off and put the neutral lock link in the locked position as shown in photo "A" on previous page.

Practice SAFETY.



- To move the machine in the forward direction push the handle away from you in the direction of the arrow. Photo "E".

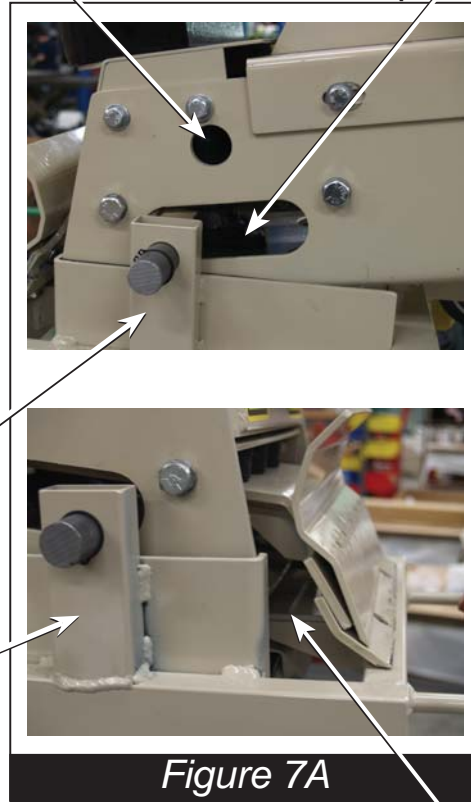
NOTE: The machine is variable speed, the more you push on the handle the faster the machine will move in the forward direction.

Maintenance:

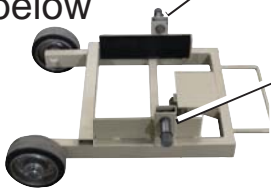
Figure 7



Top bearing grease point inside opening Middle bearing grease point inside opening



Shown with transport cart attached to machine cart shown below



Operator's Left

Operator's Right

Better view of bottom bearing grease point inside opening

Oil filler cap.

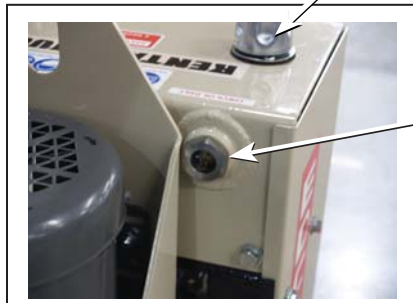


Figure 8

Oil level should be in the middle of the glass oil level indicator of the resevoir. **DO NOT** over fill to allow for expansion.



Repairs are to be done by authorized EDCO Dealers only.



Read and follow instructions in the engine owner's manual.

Maintenance



Disconnect the power source *at the machine* and *remove blade* before performing any maintenance.

- All maintenance should be performed regularly and by qualified personnel only.
- Grease striker plate driven shaft bearing every 4 hours of use. (Figure 7 & 7A) on previous page. Use Lubriplate #1444 High Temperature grease or equivalent.
- Lubricate the wheel bearings from time to time with an occasional drop or two of light oil to prevent binding.
- Keep the Self Propelled Tile Shark clean.
- Be sure the safety decals are readable and properly maintained on the machine.

Quick Reference For Maintaining the Tile Shark	Before Each Operation	After Each Use	As necessary	Every 4 Hours
Visual Inspection of Machine and Power Cord	X			
Inspect Blade	X			
Clean dust, dirt and mastics from machine		X		
Check reservoir oil level (SAE 0W30 Fully Synthetic)			X	
Grease Striker Plate Driver Shaft Bearings (3 ea)				X

LIMITED EQUIPMENT WARRANTY OF SALE – TERMS & CONDITIONS

Equipment Development Company, Inc. herein referred to as EDCO (Seller) warrants that each new unit manufactured by EDCO to be free from defects in material and workmanship in normal use and service for a period of (1) one year (except for the cutter drum assembly on all model concrete/asphalt planes, in which case the warranty period shall be 90 days) from date of shipment to the original retail or equipment rental center owner.

Accessories or equipment furnished and installed on the product by EDCO but manufactured by others, including, but not limited to engines, motors, electrical components, transmissions etc., shall carry the accessory manufacturers own warranty.

EDCO will, at its option, repair or replace, at the EDCO factory or at a point designated by EDCO, any part which shall appear to the satisfaction of EDCO inspection to have been defective in material or workmanship.

EDCO reserves the right to modify, alter and improve any part or parts without incurring any obligation to replace any part or parts previously sold without such modified, altered or improved part or parts.

This warranty is in lieu of and excludes all other warranties, expressed, implied, statutory, or otherwise created under applicable law including, but not limited to the warranty of merchantability and the warranty of fitness for a particular purpose in no event shall seller or the manufacturer of the product be liable for special, incidental, or consequential damages, including loss of profits, whether or not caused by or resulting from the negligence of seller and/or the manufacturer of the product unless specifically provided herein. In addition, this warranty shall not apply to any products or portions thereof which have been subjected to abuse, misuse, improper installation, maintenance, or operation, electrical failure or abnormal conditions and to products which have been tampered with, altered, modified, repaired, reworked by anyone not approved by seller or used in any manner inconsistent with the provisions of the above or any instructions or specifications provided with or for the product

FORCE MAJEURE

Seller's obligation hereunder are subject to, and Seller shall not be held responsible for, any delay or failure to make delivery of all or any part of the Product due to labor difficulties, fires, casualties, accidents, acts of the elements, acts of God, transportation difficulties, delays by a common carrier, inability to obtain Product, materials or components or qualified labor sufficient to timely perform part of or all of the obligations contained in these terms and conditions, governmental regulations or actions, strikes, damage to or destruction in whole or part of manufacturing plant, riots, terrorist attacks or incidents, civil commotions, warlike conditions, flood, tidal waves, typhoon, hurricane, earthquake, lightning, explosion or any other causes, contingencies or circumstances within or without the United States not subject to the Seller's control which prevent or hinder the manufacture or delivery of the Products or make the fulfillment of these terms and conditions impracticable. In the event of the occurrence of any of the foregoing, at the option of Seller, Seller shall be excused from the performance under these Terms and Conditions, or the performance of the Seller shall be correspondingly extended.

This document sets forth the terms and conditions pursuant to which the purchaser ("Purchaser") will purchase and Equipment Development Co. Inc. ("Seller") will sell the products, accessories, attachments (collectively the Products) ordered by the Purchaser. These terms and conditions shall govern and apply to the sale of Seller's Products to Purchaser, regardless of any terms and conditions appearing on any purchase order or other forms submitted by Purchaser to Seller, or the inconsistency of any terms therein and herein.

1. PRICE

All prices set forth on any purchase order or other document are F.O.B. Sellers facility or distribution point, as may be determined by Seller (F.O.B. Point). All prices are exclusive of any and all taxes, including, but not limited to, excise, sales, use, property or transportation taxes related to the sale or use of the Products, now or hereafter imposed, together with all penalties and expenses. Purchaser shall be responsible for collecting and/or paying any and all such taxes, whether or not they are stated in any invoice for the Products. Unless otherwise specified herein, all prices are exclusive of inland transportation, freight, insurance and other costs and expenses relating to the shipment of the Products from the F.O.B. point to Purchaser's facility. Any prepayment by Seller of freight insurance and other costs shall be for the account of Purchaser and shall be repaid to Seller.

2. PAYMENT TERMS

Payment terms are as follows. 2% 10 days (to approved and qualified accounts). Net 30 days. This is a cash discount for invoices paid within 10 days after the invoice date, regardless of date of receipt of shipment. This is not a trade discount and will not be granted to accounts that do not adhere to stated terms.

*All past due accounts are subject to a late payment fee of 1.5% per month or a maximum allowed by law if different, along with the expenses incidental to collection including reasonable attorney's fees and costs.

*Seller reserves the right to hold shipments against past due accounts.

*Seller reserves the right to alter payment terms.

3. FREIGHT TERMS

All shipments will be made F.O.B. shipping point as designated in these Terms and Conditions, and title shall pass at the F.O.B. point. Delivery to the initial common carrier shall constitute delivery to the Purchaser. Any claims for loss or damage during shipment are to be filed with carrier by the Purchaser. Seller will not assume responsibility for the performance of the carrier.

Back orders will be shipped in the most practical fashion with charges consistent with our freight policy established with the original order. UPS, FED EX, MAIL or shipments by other couriers are subject to the same terms and conditions as outlined in paragraph #3 "Freight Terms".

4. DELIVERY, DAMAGES, SHORTAGES

Seller shall use reasonable efforts to attempt to cause the Products to be delivered as provided for in these Terms & Conditions. Delivery to the initial common carrier shall constitute the delivery to the Purchaser. Seller's responsibility, in so far as transportation risks are concerned ceases upon the delivery of the Products in good condition to such carrier at the F.O.B. point and all the Products shall be shipped at the Purchaser's risk. Seller shall not be responsible or liable for any loss of income and/or profits, or incidental, special, consequential damages resulting from Seller's delayed performance in shipment and delivery.

5. RETURN OF DEFECTIVE PRODUCTS

Defective or failed material shall be held at the Purchaser's premises until authorization has been granted by Seller to return or dispose of Products. Products that are to be returned for final inspection must be returned Freight Prepaid in the most economical way. Credit will be issued for material found to be defective upon Seller's inspection based on prices at time of purchase.

6. PRODUCTS ORDERED IN ERROR

Products may be returned, provided that claim is made and Seller is notified within 7 days of receipt of Products, and the Products are in original buyer's possession not more than 30 days prior to return, subject to Seller's approval. If Products are accepted for return, they must be Freight Prepaid and buyer will be charged a minimum of 15% restocking charge, plus a charge back for outbound freight charges if the original order was shipped prepaid. Returns are not accepted for any Products that are specifically manufactured to meet the buyer's requirement of either specifications or quantity.

AGREEMENTS

These Terms and Conditions constitute the entire agreement between Seller and Purchaser as it relates to terms and conditions of sale, and supersedes any and all prior oral or written agreements, correspondence, quotations or understandings heretofore in force between the parties relating to the subject matter hereof. There are no agreements between Seller and Purchaser with respect to the Product herein except those specifically set forth in and made part of these terms and conditions. Any additional terms, conditions and/or prices are rejected by Seller.

These terms and conditions may be modified, cancelled or rescinded only by a written agreement of both parties executed by their duly authorized agents.

USE ONLY GENUINE EDCO PARTS & ACCESSORIES
For your own safety, the safety of others and the life of your machine.

Equipment Development Company, Inc.

