

Starting Serial # 1001

# PARTS LIST MANUAL

## Model CPM-10



**10" Scarifier**



100 Thomas Johnson Drive, Frederick, MD 21702-4600 USA  
Phone (301) 663-1600 • 1-800-638-3326  
Fax (301) 663-1607 • 1-800-447-3326  
Website: [www.edcoinc.com](http://www.edcoinc.com) • Email: [sales@edcoinc.com](mailto:sales@edcoinc.com)

Printed in USA  
©2003

READ AND UNDERSTAND THE OPERATORS INSTRUCTION MANUAL THOROUGHLY BEFORE ATTEMPTING TO OPERATE THIS EQUIPMENT. Death or serious injury could occur if this machine is used improperly.



## SAFETY MESSAGES



The safety instructions are preceded by a graphic alert message of DANGER, WARNING, or CAUTION.



Indicates an imminent hazard which, if not avoided, will result in death or serious injury.



Indicates an imminent hazard which, if not avoided, can result in death or serious injury.



Indicates hazards which, if not avoided, could result in serious injury and or damage to the equipment.

## GASOLINE Powered Equipment



- Do not operate gasoline powered equipment without adequate ventilation. Carbon monoxide is an invisible, odorless gas that can kill.

## ELECTRICAL Powered Equipment



- ELECTRICAL HAZARD** - Be sure equipment is properly grounded. Failure to comply could kill or result in serious injury.



The engine exhaust from this product contains chemicals known to the State of California to cause cancer, birth defects or other reproductive harm.

## GENERAL INSTRUCTIONS



- You must read and understand the operators instruction manual and all other manuals associated with this machine. For your safety and the safety of others around you, it is extremely important to fully understand how to operate this machine in the way it was intended. Different model machines or older/newer versions of the same model may have different parts and controls that you need to understand. If instructions are not readable or available DO NOT USE this machine and contact the factory for a replacement Manual.
- You must be able to physically handle the bulk weight and power of this machine. If not properly controlled this machine can cause death or serious injury.
- Do not operate this machine in an impaired mental state. You must be able to exercise good judgement and reactions to maintain a safe working environment.
- This is a "one person" machine which means only one operator can be operating the machine at any one time. For the safety of others, maintain a safe operating distance to other personnel. Your work area should be defined and appropriately marked so bystanders and coworkers do not stand or walk near this machine and end up seriously injured by flying debris or exposing them to harmful noise or dust.
- This equipment is for Commercial use. Although this is a "one person" machine your work team should understand how to shut this machine off and quickly get medical help if an accident strikes the operator.
- Keep all guards in place during operation. The guards are to provide protection from inadvertent contact with dangerous moving parts, pinch points, or hot surfaces.
- Wear appropriate Personal Protective Equipment (PPE) including safety glasses, safety boots, work gloves, respiratory protection, hearing protection, and head protection. Do not wear loose clothing that can get tangled in moving parts. Failure to do so could result in dismemberment or death. **Wear an approved respirator when removing hazardous materials or when grinding/cutting dry materials. Some dust particles such as concrete dust can contain silicate particles which can cause silicosis (a very serious lung disease). Contact NIOSH or OSHA for further details. When wet grinding/cutting, avoid contact with the concrete/asphalt slurry which can cause serious skin irritations.**
- You must maintain this machine per the maintenance schedule in the operator manual. Remember before adjusting, servicing, or fueling this machine, disconnect the source of power to the machine by disconnecting the spark plug (Gas models), or by unplugging the electrical power cord (electric models) or air hose (Pneumatic models) AT THE MACHINE so you can assure yourself it remains unplugged while you are working on it. Do not modify this machine. Use only genuine EDCO parts and accessories. Repairs and service should be performed by approved EDCO dealers or authorized technicians.
- You should look carefully around the area before you begin work so you can identify potential hazards such as deck inserts, pipes, columns, openings, electrical cords or outlets, or any other objects protruding from the slab surface.
- This machine has no brain so you must use your own. There is no substitute for safety. The safety decals on the machine are to serve as a reminder for information you must already know before you begin using this machine. Take a moment to reread the safety decals each time you use the machine. If your machine is missing any decals, contact the factory for a replacement (EDCO 1-800-638-3326).

# PARTS LIST MANUAL

## EDCO MODEL CPM-10

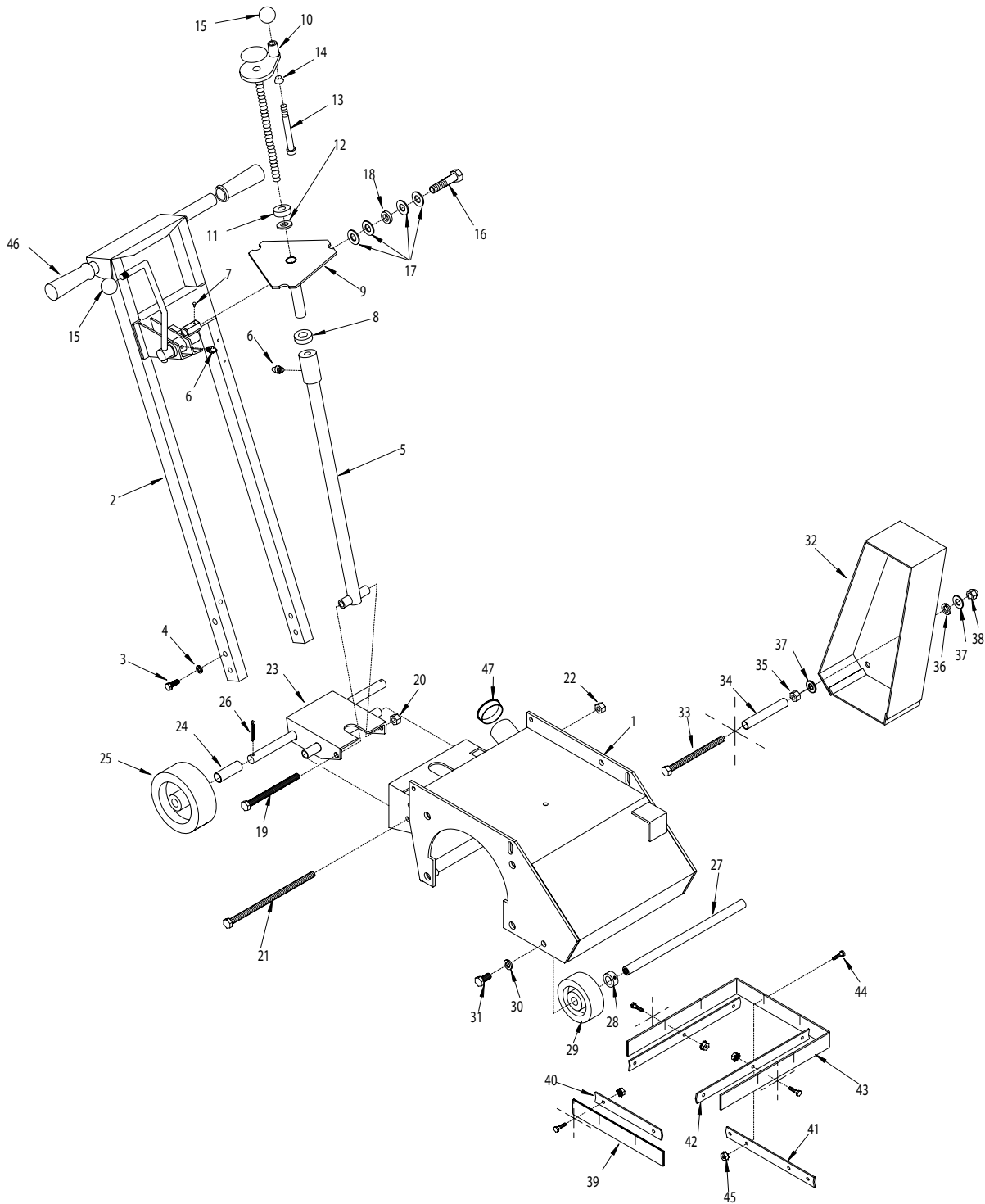
Section	Page Number
Safety Messages and General Instructions . . . . .	2
How To Order Replacement Parts . . . . .	3
Illustration # 1: Main Frame Assembly . . . . .	4
Parts Listing - Illustration #1: Main Frame Assembly . . . . .	5
Illustration # 2: Drum Shaft & Bearings . . . . .	6
Parts Listing - Illustration #2 :Drum Shaft & Bearings . . . . .	7
Illustration # 3: 6-Shaft Drum Assembly (Standard). . . . .	8
Illustration # 4: 8-Shaft Drum Assembly (Optional). . . . .	9
Illustration # 5: Gasoline Engine Option. . . . .	10
Parts Listing - Illustration # 5 : Gasoline Engine Option. . . . .	11
Illustration # 6 : Electric Motor Option . . . . .	12
Parts Listing -Illustration # 6 : Electric Motor Option . . . . .	13
Warranty . . . . .	Back cover

10" SCARIFIERS		
PART NO.	MODEL	POWER OPTION
69100	CPM10-13H	HONDA GX390 13HP
69200 - 230	CPM10 - 7.5B/230V	BALDOR 7.5HP, 3 PHASE, 60 Hz, 230V/17.4Amp
69200 - 460	CPM10 - 7.5B/460V	BALDOR 7.5HP, 3 PHASE, 60Hz, 460V/8.7 Amp

<p><b>HOW TO ORDER REPLACEMENT PARTS</b></p> <p><input type="checkbox"/> To insure product safety and reliability, always use genuine EDCO replacement parts when making repairs to the equipment.</p> <p><input type="checkbox"/> When calling for parts, specify the MODEL and SERIAL NUMBER of the machine which can be found on the NAME PLATE. Keep that information in the space provided. In addition to this information, give part number, description and quantity as listed on the parts list to your parts representative.</p> <p><input type="checkbox"/> Please note: Due to improvements and changes in the equipment, the illustrations shown may be different than the actual machine.</p>	<p style="text-align: center;"><b>FILL IN INFORMATION BELOW</b></p> <p>Date of Purchase _____</p> <p>Name of Machine _____</p> <p>Model # _____</p> <p>Serial # _____</p> <p>Belt Size(s) _____</p> <p style="text-align: center;">Toll Free: 1-800-638-3326                  FAX: 1-800-447-3326                  email: sales@edcoinc.com                  www.edcoinc.com</p>
---	--



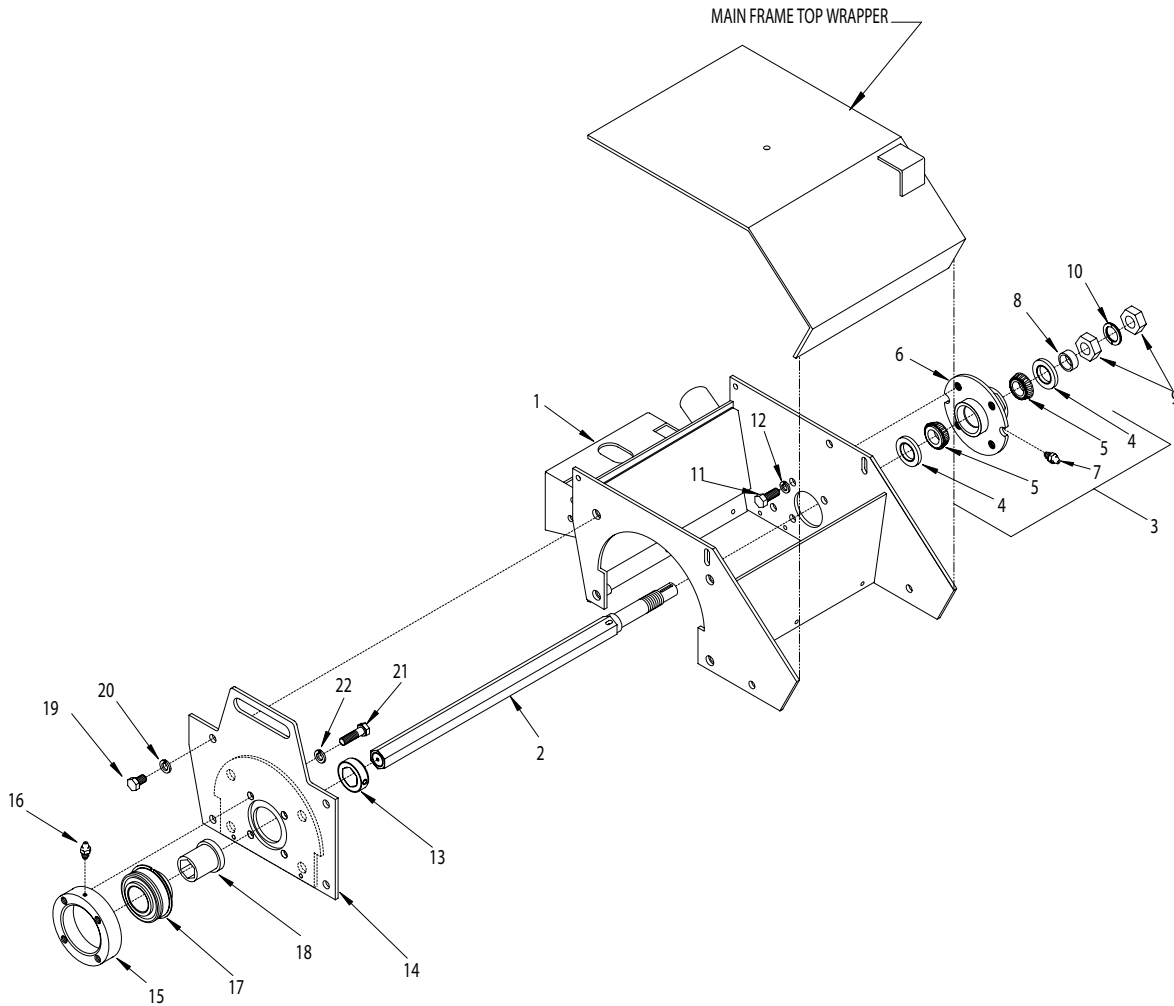
# ILLUSTRATION #1: FRAME ASSEMBLY



<b>PARTS LISTING - ILLUSTRATION #1: FRAME ASSEMBLY GROUPING</b>			
<b>ITEM #</b>	<b>PART #</b>	<b>DESCRIPTION</b>	<b>QTY.</b>
1	65201	MAIN FRAME	1
2	65210	HANDLE BAR	1
3	10055	SCREW, CAP 3/8-16 x 1	4
4	10811	WASHER, LOCK 3/8	4
5	65242	LINKAGE, LOWER	1
6	10808	FITTING, GREASE 1/4-28 STRAIGHT	2
7	10127	SCREW, DRIVE 1/8 x 1/4" L	1
8	10096	COLLAR, LOCKING 5/8 ID	1
9	65214	SUPPORT, HANDWHEEL	1
10	51075	HANDWHEEL, LARGE w/ 5/8-13 x 13" ROD	1
11	85005	BEARING, THRUST BALL 5/8"	1
12	10073	WASHER, FLAT 5/8	1
13	10346	SCREW, SKT. HD. CAP 1/2-13 x 4-1/2	1
14	50550	SLEEVE, FOR 1/2" CAP SCREW, TAPERED	1
15	14023	KNOB, BALL 1-3/8 w/ 1/2-13 THD., BLACK	2
16	10359	SCREW, CAP 5/8-11 x 3-1/4	1
17	10073	WASHER, FLAT 5/8	4
18	79035	BUSHING, RUBBER 1-1/16 OD x 5/8 ID	1
19	10329	SCREW, CAP 1/2-20 x 6	1
20	10205	NUT, LOCK 1/2-20	1
21	65239	SCREW, CAP 1/2-13 x 10	1
22	10407	NUT, LOCK 1/2-13	1
23	65208	FORK	1
24	65209	SPACER, REAR WHEEL	2
25	50030	WHEEL, 6 x 2 x 3/4 BRG. ALUM./RUBBER	2
26	10306	PIN, COTTER 3/16 x 1-1/4	2
27	65207	AXLE SHAFT, FRONT	1
28	10428	COLLAR, LOCKING 3/4 ID	2
29	52001	WHEEL, 4 x 1-1/2 x 3/4 BRG.	2
30	10045	WASHER, LOCK 1/2	2
31	10304	SCREW, CAP 1/2-20 x 1	2
32	65205	COVER, BELT	1
33	65240	BOLT, ALLTHREAD ROD 1/2-13 x 6-3/8	2
34	65206	SPACER, BELT COVER	2
35	10417	NUT 1/2-13	2
36	10045	WASHER, LOCK 1/2	2
37	10312	WASHER, FLAT 1/2	4
38	10865	NUT, ACORN 1/2-13	2
39	65218	SEAL, RUBBER 10-3/4 x 3 (PRE-FOLDED)	1
40	65220	BRACKET, RUBBER SEAL 8"	1
41	65221	BRACKET, RUBBER SEAL 10-3/4"	1
42	65222	BRACKET, RUBBER SEAL 13-1/4"	2
43	65219	SEAL, RUBBER, 3-SIDED, 41" L x 3" (PRE-FOLDED)	1
44	10018	SCREW, CAP 1/4-20 x 3/4	12
45	10861	NUT, KEPS 1/4-20	12
46	10608	GRIP, HAND 1" MODEL AT	2
47	65021	PLUG, CAP 2"	1



# ILLUSTRATION #2: DRUM SHAFT AND BEARINGS

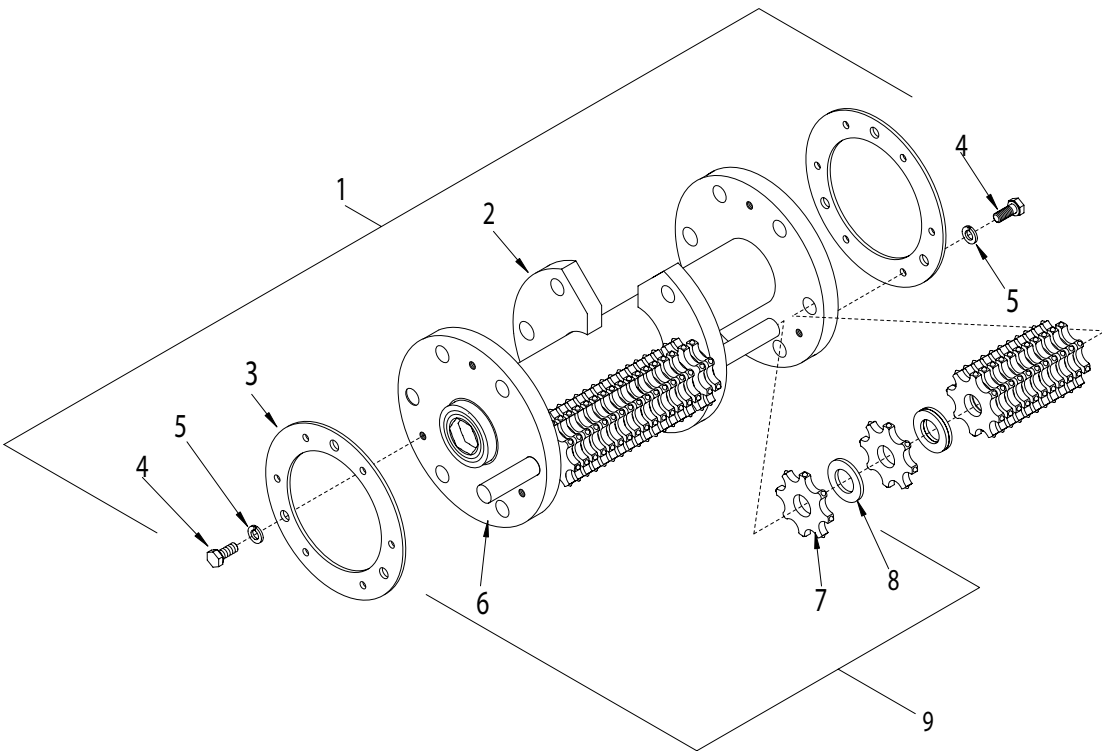


## PART NUMBERS FOR ITEMS 2, 13, &amp; 18 REVISED - SELECT HERE FOR CHANGES

<b>PARTS LISTING - ILLUSTRATION # 2: DRUM SHAFT &amp; BEARINGS</b>			
<b>ITEM#</b>	<b>PART#</b>	<b>DESCRIPTION</b>	<b>QTY.</b>
1	65201	MAIN FRAME (ILLUS. #1, ITEM #1)	1
2	<del>65249</del>	SHAFT, DRUM 1-1/4" HEX x 20-3/4"L	1
3	65227	HUB ASSEMBLY (ITEMS 4 - 7)	1
4	86322	SEAL, BEARING HUB 1-1/4"	2
5	86321	BEARING, TAPERED ROLLER 1"	2
6	65227H	HUB ONLY w/ RACES	1
7	10808	FITTING, GREASE 1/4-28 STRAIGHT	1
8	86319	SPACER, HUB BEARING	1
9	50019	NUT, JAM 1-14	2
10	86323	WASHER, NORD-LOCK 1"	1
11	10321	SCREW, CAP 1/2-20 x 1-1/4	4
12	10045	WASHER, LOCK 1/2	4
13	<del>65248</del>	COLLAR, HEX 1-1/4"	1
14	65202	PANEL, DRUM SIDE ACCESS	1
15	65225	RETAINER, BEARING	1
16	10808	FITTING, GREASE 1/2-28 STRAIGHT	1
17	65224	BEARING, BALL 1-3/4" w/ SNAP RING	1
18	<del>65226</del>	BUSHING, BEARING, 1-1/4" HEX	1
19	11614	SCREW, CAP 1/2-20 x 3/4	4
20	10045	WASHER, LOCK 1/2	4
21	10498	SCREW, CAP 1/2-20 x 1-3/4	4
22	10045	WASHER, LOCK 1/2	4



**ILLUSTRATION #3: 6-SHAFT CUTTER WHEEL DRUM ASSEMBLY STANDARD**



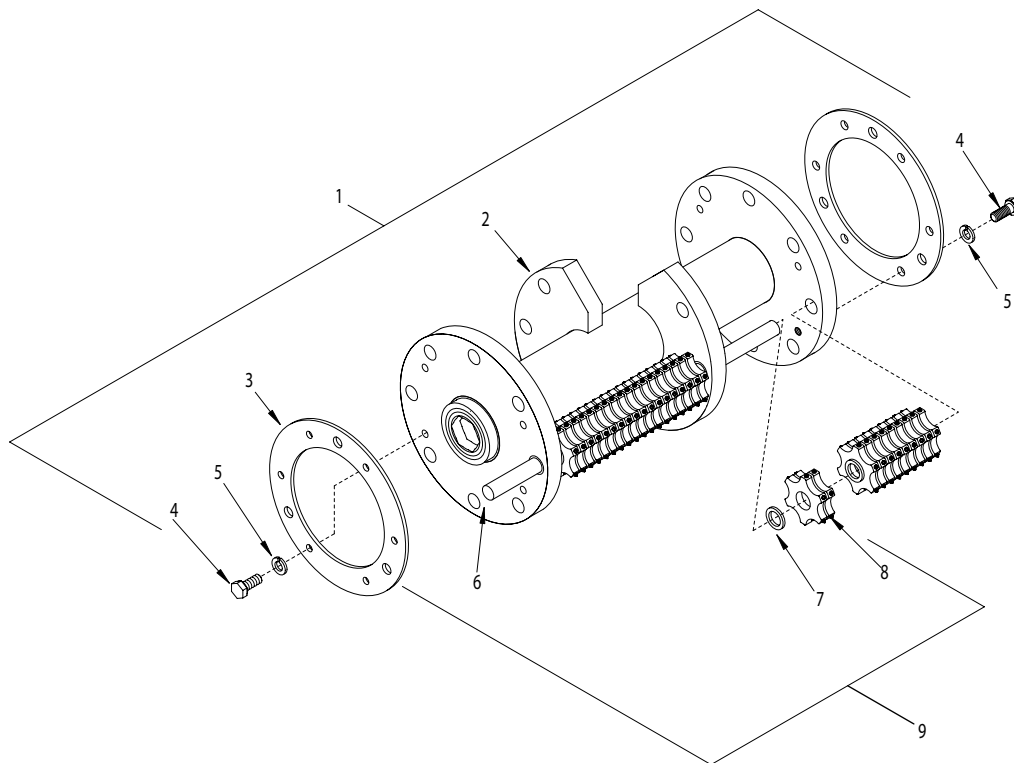
**PART NUMBERS FOR ITEMS 1 & 2 REVISED - SELECT HERE FOR CHANGES**

ITEM#	PART#	DESCRIPTION	QTY.
1	<del>65250</del>	DRUM ASSEMBLY COMPLETE, 6-SHAFT (INCLUDES ITEMS 2-6)	1
2	<del>65254</del>	DRUM ONLY, 6-SHAFT	1
3	65054	RETAINING PLATE, CUTTER SHAFT	2
4	10053	SCREW, CAP 5/16-18 x 3/4	6
5	10801	WASHER, LOCK 5/16	6
6	20170	SHAFT, CP413, 5/8 x 11-7/16	6
7	20326	CUTTER, 8-PT. CARBIDE CP308-T 2-1/4"OD x 25/32"ID x 1/4" THK.	102
8	20060	CP403 SPACER, HARDENED STEEL, 1-1/2" OD x 3/4" ID	252
9	A207	START-UP PACK, 6-SHAFT DRUM (INCLUDES ITEMS 6-8)	1





## ILLUSTRATION #4: 8-SHAFT CUTTER WHEEL DRUM ASSEMBLY OPTIONAL



PART NUMBERS FOR ITEMS 1 & 2 REVISED - SELECT HERE FOR CHANGES

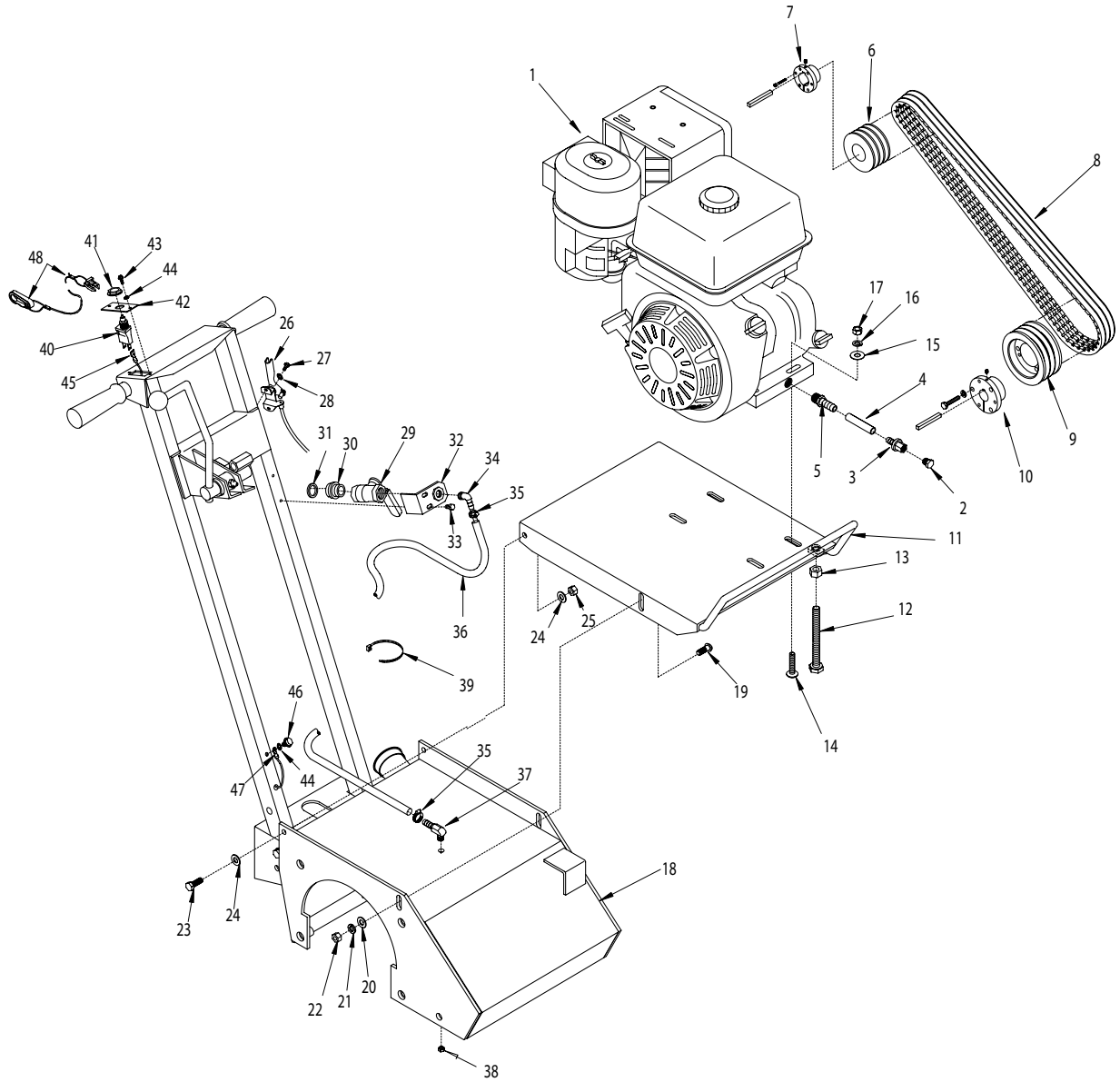
ITEM#	PART#	DESCRIPTION	QTY.
1	<del>65260</del>	DRUM ASSEMBLY COMPLETE, 8-SHAFT (INCLUDES ITEMS 2-6)	1
2	<del>65261</del>	DRUM ONLY, 8-SHAFT	1
3	65054M	RETAINING PLATE, CUTTER SHAFT	2
4	10053	SCREW, CAP 5/16-18 x 3/4	8
5	10801	WASHER, LOCK 5/16	8
6	20180	SHAFT, CP414, 1/2 x 11-7/16	8
7	20156	CUTTER, 6-PT. CARBIDE CP206-T 1-3/4"OD x 5/8"ID x 1/4" THK.	152
8	12230	CG227 SPACER 1/2" ID	384
9	A208	START-UP PACK, 8-SHAFT DRUM (INCLUDES ITEMS 6-8)	1



100 Thomas Johnson Drive, Frederick, MD 21702-4600 USA  
 Phone (301) 663-1600 • 1-800-638-3326  
 Fax (301) 663-1607 • 1-800-447-3326  
 Website: www.edcoinc.com • Email: sales@edcoinc.com

Printed in USA  
 ©2003

# ILLUSTRATION # 5: GASOLINE ENGINE OPTION



<b>PARTS LISTING - ILLUSTRATION # 5: GASOLINE ENGINE OPTION</b>			
<b>ITEM #</b>	<b>PART #</b>	<b>DESCRIPTION</b>	<b>QTY.</b>
1	15029	ENGINE, HONDA 13 HP GX390K1-QXC9	1
2	10776	PIPE, PLUG 1/4 NPT (BRASS)	1
3	11542	BARB, PUSH-ON, 3/8 HOSE x 12mm 1.5	1
4	56116	HOSE, PUSH-ON 3/8 ID x 3"L	1
5	11544	BARB, PUSH-ON 3/8 HOSE x 1/4 FPT	1
6	51312	SHEAVE 2.8 OD x 3Gr.3V x JA	1
7	10557	BUSHING, SHEAVE JA x 1" BORE	1
8	10258	BELT 3VX-375 (COG)	3
9	65223	SHEAVE 4.12 OD x 3Gr. 3V x SH	1
10	10546	BUSHING, SHEAVE SH x 7/8" BORE	1
11	65203	MOUNT, ENGINE	1
12	10345	BOLT, TAP 1/2-13 x 4-1/2 (FULL THREAD)	1
13	10205	NUT, LOCK 1/2-13	1
14	10087	BOLT, CARRIAGE 3/8-16 x 1-3/4	4
15	10025	WASHER, FLAT 3/8	4
16	10811	WASHER, LOCK 3/8	4
17	10404	NUT 3/8-16	4
18	65201	MAIN FRAME (ILLUS. # 1, ITEM # 1)	1
19	10802	BOLT, CARRIAGE 3/8-16 x 1	2
20	10025	WASHER, FLAT 3/8	2
21	10811	WASHER, LOCK 3/8	2
22	10404	NUT 3/8-16	2
23	10021	SCREW, CAP 3/8-24 x 1	2
24	10025	WASHER, FLAT 3/8	4
25	10004	NUT, LOCK 3/8-24	2
26	3611	CABLE, THROTTLE, LEVER-TYPE 54"	1
27	10877	SCREW, CAP STSHW 10-24 x 1/2	2
28	10831	WASHER, LOCK, INT. TOOTH # 10	2
29	10711	VALVE, BALL 1/2 FPT	1
30	80021	CONN., SWIVEL, FEM. 3/4 HOSE x 1/2 MPT (INCL. ITEM # 31)	1
31	10070	HOSE WASHER 3/4 (INCL. w/ CONNECTOR)	1
32	56022	BRACKET, WATER VALVE	1
33	10846	SCREW, STHW 1/4-20 x 1/2	2
34	10799	BARB, ELBOW, 90° 3/8 HOSE x 1/4 MPT	1
35	50069	CLAMP, HOSE SAE #6 ADJ. TO 13/16	2
36	65252	HOSE, WATER 3/8 ID x 30-3/4"L	1
37	11562	BARB, ELBOW 90° 3/8 HOSE x 1/8 MPT	1
38	10864	NUT 1/8-27 PIPE THREAD (BRASS)	1
39	10982	TIE, CABLE, BLACK NYLON 11-1/4	2
40	65211	SWITCH, TETHER E-STOP, N.C.	1
41	65211-1	NUT, TETHER E-STOP SWITCH NUT 5/8-18	1
42	65213	E-STOP SWITCH PLATE	1
43	10877	SCREW, CAP STSHW 10-24 x 1/2	2
44	10831	WASHER, LOCK, INT. TOOTH #10	3
45	10955	TERM., FEM. PUSH-ON 1/4", 16-14 GA.	1
46	10877	SCREW, CAP STSHW 10-24 x 1/2	1
47	50084	TERM., RING #10 16-14 GA. INSULATED	1
48	65212	E-STOP SWITCH LANYARD	1



100 Thomas Johnson Drive, Frederick, MD 21702-4600 USA

Phone (301) 663-1600 • 1-800-638-3326

Fax (301) 663-1607 • 1-800-447-3326

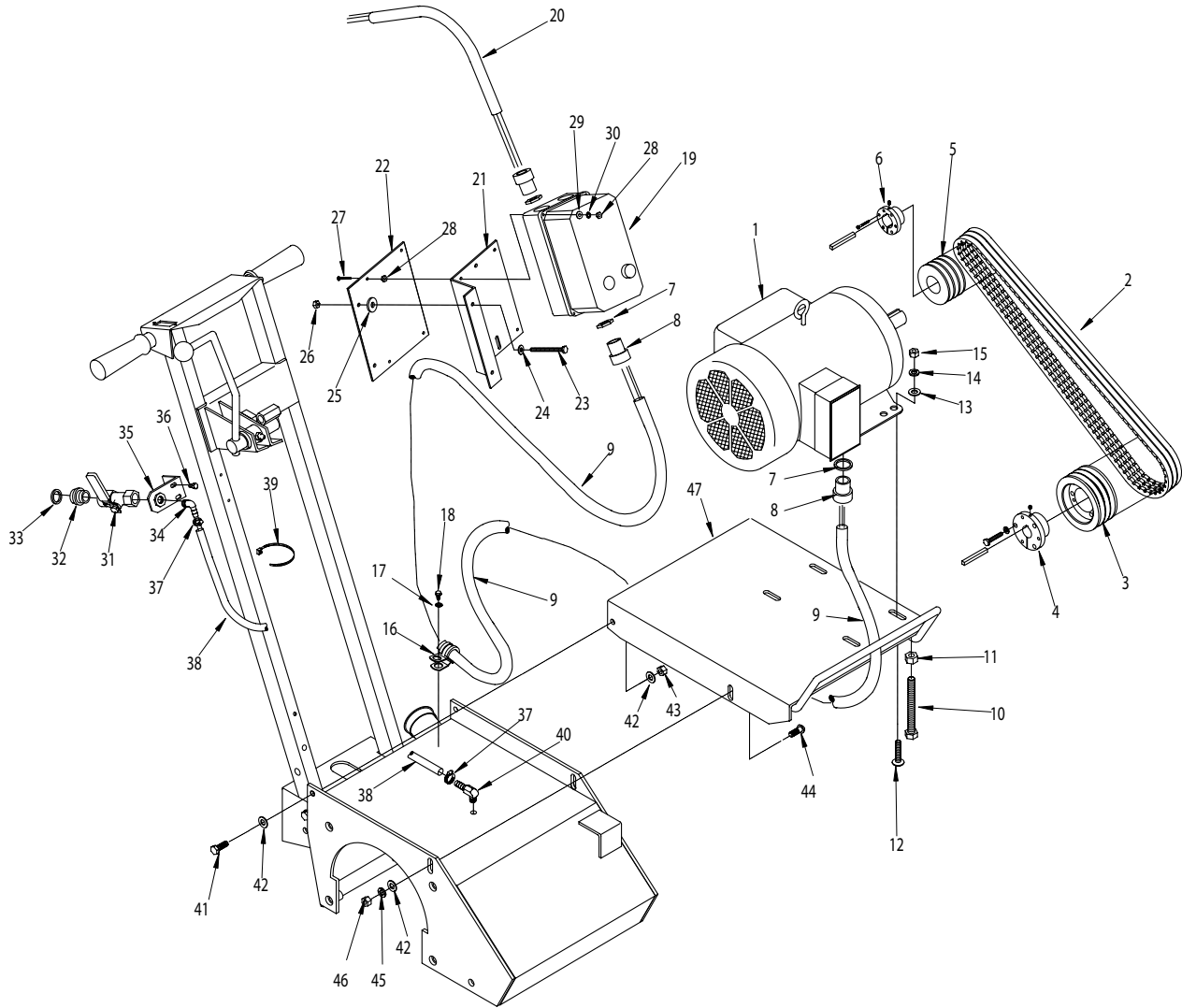
Website: [www.edcoinc.com](http://www.edcoinc.com) • Email: [sales@edcoinc.com](mailto:sales@edcoinc.com)

Printed in USA

©2003

**Page 11**

**ILLUSTRATION # 6: ELECTRIC MOTOR OPTION**



<b>PARTS LISTING - ILLUSTRATION # 6: ELECTRIC MOTOR OPTION</b>			
<b>ITEM #</b>	<b>PART #</b>	<b>DESCRIPTION</b>	<b>QTY.</b>
1	16002	BALDOR. 7.5HP, 3PH 60Hz 3450RPM	1
2	10258	BELT 3VX-375 (COG)	3
3	65223	SHEAVE 4.12OD x 3Gr.3V x SH	1
4	10546	BUSHING, SHEAVE SH x 7/8" BORE	1
5	51312	SHEAVE 2.8 OD x 3Gr.3V x JA	1
6	10533	BUSHING, SHEAVE JA x 1-1/8" BORE	1
7	10740	CONDUIT, LOCKNUT 3/4 NP	3
8	10605	CONNECTOR, STRAIN RELIEF 3/4 NPT x .650-.750 RANGE	3
9	65245	HARNESS, WIRE 10/4 x 53"	1
10	10345	BOLT, TAP 1/2-13 x 4-1/2 FULL THD.	1
11	10417	NUT 1/2-13	1
12	10087	BOLT, CARRIAGE 3/8-16 x 1-3/4	4
13	10025	WASHER, FLAT 3/8	4
14	10801	WASHER, LOCK 3/8	4
15	10404	NUT 3/8-16	2
16	11565	CLAMP, LOOM 5/8 (SAE #10)	1
17	10831	WASHER, INT. TOOTH # 10	1
18	10877	SCREW, CAP STHW 10-24 x 1/2	1
19		STARTER	1
	16410	11-M1-BRF-P30-26-23060 (230 VOLT)	
	16408	11-M1-BRF-P14-15-46060 (460 VOLT)	
20	65246	HARNESS, WIRE 10/4 x 26"	1
21	86027	MOUNTING BRKT., LOVATO STARTER	1
22	65244	PLATE, STARTER MOUNT	1
23	11658	SCREW, CAP 1/4-20 x 2-3/4	2
24	10602	WASHER, FLAT 1/4	2
25	42224	BUSHING, RUBBER 1"OD x 3/8"ID x 1/8	2
26	10150	NUT. LOCK 1/4-20	4
27	10362	SCREW, MACHINE 8-32 x 3/4	4
28	10462	NUT 8-32	8
29	12112	WASHER, RIVET # 9 5/32 x7/16 x 3/64	4
30	10461	WASHER, INT. TOOTH # 8	4
31	10711	VALVE, BALL 1/2 FPT	1
32	80021	CONN., SWIVEL FEM. 3/4 HOSE x 1/2 MPT (INCL. ITEM #33)	1
33	10070	HOSE, WASHER (INCL. w/ CONNECTOR)	1
34	10799	BARB, ELBOW 90° 3/8 HOSE x 1/4 MPT	1
35	56022	BRACKET, WATER VALVE	1
36	10846	SCREW, CAP STHW 1/4-20 x 1/2	2
37	50069	CLAMP, HOSE SAE # 6 ADJ. TO 13/16	2
38	65252	HOSE, WATER 3/8" ID x 30-3/4	1
39	10982	TIE, CABLE, BLACK NYLON 11-1/4	2
40	11562	BARB. ELBOW 90° 3/8 HOSE 1/8 MPT	1
41	10021	SCREW, CAP 3/8-24 x 1	2
42	10025	WASHER, FLAT 3/8	4
43	10004	NUT, LOCK 3/8-24	2
44	10802	BOLT, CARRIAGE 3/8-16 x 1	2
45	10811	WASHER, LOCK 3/8	2
46	10404	NUT 3/8-16	2
47	65204	MOUNT, MOTOR	1



100 Thomas Johnson Drive, Frederick, MD 21702-4600 USA

Phone (301) 663-1600 • 1-800-638-3326

Fax (301) 663-1607 • 1-800-447-3326

Website: www.edcoinc.com • Email: sales@edcoinc.com

Printed in USA

©2003

Page 13



## ***Parts Change Bulletin***

### **REVISED CPM-10 DRUM PARTS**

STARTING WITH MACHINE SERIAL # 1116

EFFECTIVE OCTOBER 2004

The Hex Bore size in the CPM-10 Cutter Drums has been reduced from 1-1/4" to 1" now. This was done to allow the wall to be 1/8" thicker in the Drum Center Tube. The heavier wall was needed to eliminate warping due to the welding process and also to help reduce Drum breakage. This change also affects the Shaft that the Drum rotates on, the Locking Collar which goes on the Drum Shaft between the Drum and the Hub on the left side of the machine, and the Bushing that is pressed into the Access Cover Bearing that is located on the right side of the machine.

A Kit (P/N 65269K) is available to convert machines that were built prior to Serial # 1116. See the Chart below for all of the new Part Numbers that this change affects.

<b>*** NEW PART NUMBERS ***</b>			
<b>ILLUSTRATION 2: DRUM SHAFT AND BEARINGS</b>			
<b>ITEM #</b>	<b>PART #</b>	<b>DESCRIPTION</b>	<b>QTY.</b>
-	65269K	DRUM SHAFT KIT, 1"HEX (INCLUDES SHAFT, COLLAR AND BUSHING)	1
2	65269	DRUM SHAFT 1"HEX X 20-3/4"L	1
13	65268	LOCKING COLLAR 1"HEX	1
18	65267	BEARING BUSHING 1"HEX	1
<b>ILLUSTRATION 3: 6-SHAFT DRUM ASSEMBLY (STANDARD)</b>			
1	65270	DRUM ASSY. COMPLETE, 6-SHAFT 1"HEX	1
2	65271	DRUM ONLY, 6-SHAFT 1"HEX	1
<b>ILLUSTRATION 4: 8-SHAFT DRUM ASSEMBLY (OPTIONAL)</b>			
1	65280	DRUM ASSY. COMPLETE, 8-SHAFT 1"HEX	1
2	65281	DRUM ONLY, 8-SHAFT 1"HEX	1

### **EQUIPMENT DEVELOPMENT COMPANY, INC.**

100 Thomas Johnson Drive, Frederick, MD 21702-4600 USA

Phone: 1-800-638-3326 or 301-663-1600 Fax: 1-800-437-3326 or 301-663-1607

email: [sales@edcoinc.com](mailto:sales@edcoinc.com) Website: [www.edcoinc.com](http://www.edcoinc.com)

# NOTES



---

100 Thomas Johnson Drive, Frederick, MD 21702-4600 USA  
Phone (301) 663-1600 • 1-800-638-3326  
Fax (301) 663-1607 • 1-800-447-3326  
Website: [www.edcoinc.com](http://www.edcoinc.com) • Email: [sales@edcoinc.com](mailto:sales@edcoinc.com)

Printed in USA  
©2003

# LIMITED EQUIPMENT WARRANTY

Equipment Development Company, Inc. herein referred to as EDCO warrants that each new unit manufactured by EDCO to be free from defects in material and workmanship in normal use and service for a period of (1) one year (except in the case of the cutter drum assembly on all model concrete asphalt planes, in which case the warranty period shall be 90 days) from date of shipment to the original retail or equipment rental center owner.

EDCO will, at its option, repair or replace, at the EDCO factory or at a point designated by EDCO any part, which shall appear to the satisfaction of EDCO inspection to have been defective in material or workmanship.

This warranty, does not apply to failure occurring as a result of abuse, misuse, negligent repairs, corrosion, erosion, normal wear and tear, alterations or modifications made to the product without express written consent of EDCO: or failure to follow the recommended operating practices and maintenance procedures as provided in the products operating and maintenance manuals.

This warranty does not obligate EDCO to bear any transportation charges in connection with the replacement or repair of defective parts. This warranty does not obligate EDCO to bear any expense for travel time or of personnel in connection with any service calls.

Accessories or equipment furnished and installed on the product by EDCO but manufactured by others, including but not limited to engines, motors, electrical equipment, transmissions, etc., shall carry the accessory manufacturers' own warranty.

THIS WARRANTY IS IN LIEU OF ALL OTHER WARRANTIES, EXPRESSED OR IMPLIED, OR STATUTORY, INCLUDING ANY WARRANTIES OF MERCHANTABILITY OR OF FITNESS FOR A PARTICULAR PURPOSE.

## LIABILITY LIMITATIONS

The remedies of the user set forth under provisions of warranty outlined above are the exclusive and total liability of EDCO with the respect to their sale or the equipment and service furnished hereunder, in connection with the performance or breach thereof, or from the sale, delivery, installation, repair or technical direction covered by or furnished under the sale, whether based on contract, warranty, negligence, indemnity, strict liability, or otherwise shall not exceed the purchase price of the unit of equipment upon which such liability is based.

EDCO will not in any event be liable to the user, any successors in interest or any beneficiary or assignee relating to this sale for any consequential, incidental, indirect, special or punitive damages arising out of this sale or any breach thereof, or any defects on, or failure of, or malfunction of the equipment under this sale based upon loss of use, lost profits or revenue, interest, lost goodwill, work stoppage, impairment of other goods, loss by reason of shutdown or non-operation, increased expenses of operation of the equipment, cost of purchase or replacement power of claims of users or customers of the user for service interruption whether or not such loss or damage is based on contract, warranty, negligence, indemnity, strict liability, or otherwise.

EDCO reserves the right to modify, alter and improve any part or parts without incurring any obligation to replace any part or parts previously sold without such modified, altered or improved part or parts.

No person is authorized to give any other warranty or to assume any additional obligation on EDCO's behalf unless made in writing and signed by an officer of EDCO.

Equipment Development Company, Inc.

## USE ONLY GENUINE EDCO PARTS AND ACCESSORIES

For your own safety, the safety of others and the life of your machine

