

REVISED STARTING
SERIAL # 130110096

PARTS LIST MANUAL

MODEL TMS-10



SHOWN WITH
OPTIONAL FOLDING STAND
PART NO. 24150

10" ELECTRIC TILE SAWS

SKU #	MODEL #	POWER OPTION
24200	TMS10-1.5L	LEESON ELECTRIC MOTOR 1.5HP 60Hz 1-PHASE
24200-50	TMS10-1.5L/50	LEESON ELECTRIC MOTOR 1.5HP 50Hz 1-PHASE



A Division of Equipment Development Company, Inc.

100 Thomas Johnson Drive, Frederick, MD 21702-4600 USA
Phone (301) 663-1600 • 1-800-638-3326
Fax (301) 663-1607 • 1-800-447-3326
Website: www.edcoinc.com • Email: sales@edcoinc.com

Printed in USA
JWA ©2013

READ AND UNDERSTAND THE OPERATORS INSTRUCTION MANUAL *THOROUGHLY* BEFORE ATTEMPTING TO OPERATE THIS EQUIPMENT.



Death or serious injury could occur if this machine is used improperly.



SAFETY MESSAGES

- Safety Instructions are preceded by a graphic alert symbol of DANGER, WARNING, or CAUTION.



Indicates an imminent hazard which, if not avoided, will result in death or serious injury.



Indicates an imminent hazard which, if not avoided, can result in death or serious injury.



Indicates hazards which, if not avoided, could result in serious injury and or damage to the equipment.

GASOLINE/PROPANE POWERED EQUIPMENT



- Engine exhaust from this product contains chemicals known to the State of California to cause cancer, birth defects or other reproductive harm.



Gasoline is extremely flammable and poisonous. It should only be dispensed in well ventilated areas, and with a cool engine.

- Small gasoline engines produce high concentrations of carbon monoxide (CO) example: a 5 HP 4 cycle engine operation in an enclosed 100,000 cu. ft. area with only one change of air per hour is capable of providing deadly concentrations of CO in less than fifteen minutes. Five changes of air in the same area will produce noxious fumes in less than 30 minutes. Gasoline or propane powered equipment should not be used in enclosed or partially enclosed areas. Symptoms of CO poisoning include, headache, nausea, weakness, dizziness, visual problems and loss of consciousness. If symptoms occur - get into fresh air and seek medical attention immediately.

ELECTRICAL POWERED EQUIPMENT



Extreme care must be taken when operating electric models with water present: Ensure power cord is properly grounded, is attached to a Ground-Fault-Interrupter (GFI) outlet, and is undamaged.

- Check all electrical cables - be sure connections are tight and cable is continuous and in good condition. Be sure cable is correctly rated for both the operating current and voltage of this equipment.
- Improper connection of the equipment-grounding conductor can result in a risk of electric shock. Check with qualified electrician or service person if there is any doubt as to whether the outlet is properly grounded. Adhere to **all** local codes and ordinances.
- **NOTE:** In the event of a malfunction or breakdown, grounding provides a path of least resistance for the electric current to dissipate. The motor is equipped with a grounded plug and must be connected to an outlet that is properly installed and properly grounded. **DO NOT** modify the plug provided on the motor. If the plug does not fit the outlet have a qualified electrician install the proper receptacle.
- Switch motor OFF **before** disconnecting power.

- Do not disconnect power by pulling cord. To disconnect, grasp the plug, not the cord.
- Unplug power cord at the machine when not in use and before servicing.

GENERAL INSTRUCTIONS

- Equipment should only be operated by trained personnel in good physical condition and mental health (not fatigued). The operator and maintenance personnel must be physically able to handle the bulk weight and power of this equipment.
- This is a one person tool. Maintain a safe operating distance to other personnel. It is the **operators' responsibility** to keep other people (workers, pedestrians, bystanders, etc.) away during operation. Block off the work area in all directions with roping, safety netting, etc. for a safe distance. Failure to do so may result in others being injured by flying debris or exposing them to harmful dust and noise.
- This equipment is intended for commercial use only.
- For the operator's safety and the safety of others, always keep all guards in place during operation.
- Never let equipment run unattended.



- Personal Protection Equipment and proper safety attire must be worn when operating this machinery. The operator must wear approved safety equipment appropriate for the job such as hard hat and safety shoes when conditions require. Hearing protection **MUST** be used (operational noise levels of this equipment may exceed 85 dBA). Eye protection **MUST** be worn at all times.



Keep body parts and loose clothing away from moving parts. Failure to do so could result in dismemberment or death.

- Do not modify the machine.
- Stop motor/engine when adjusting or servicing this equipment.



Maintain a safe operating distance from flammable materials. Sparks from the cutting-action of this machine can ignite flammable materials or vapors.

DUST WARNING



Some dust created by power sanding, sawing, grinding, drilling, and other construction activities contains chemicals known to cause cancer, birth defects, or other reproductive harm. Some examples of these chemicals are:

- Lead from lead-based paints, and
 - Crystalline silica from bricks and concrete and other masonry products.
- Your risk of exposure to these chemicals varies depending on how often you do this type of work. To reduce your risk: work in a well ventilated area, use a dust control system, such as an industrial-style vacuum, and wear approved personal safety equipment, such as a dust/particle respirator designed to filter out microscopic particles.

PARTS LIST MANUAL

MODEL TMS-10

10" ELECTRIC TILE SAW

TABLE OF CONTENTS

<u>Section</u>	<u>Pages</u>
Safety Messages and General Instructions	2
How To Order Replacement Parts	3
Illustration 1: Main Grouping	4, 5
Illustration 2: Rolling Table Assembly	6, 7
Illustration 3: Blade Guard & Water Pump Grouping	8, 9
Illustration 4: Arbor Assembly	10
Illustration 5: Motor & Belt Drive Grouping	11
Decal Sheet	12
Decals Continued	13
Wiring Diagram for 60 Hertz Motor	14
Wiring Diagram for 50 Hertz Motor	15
Limited Equipment Warranty of Sale - Terms & Conditions	16 (Back Page)

HOW TO ORDER REPLACEMENT PARTS

- ❑ To insure product safety and reliability, always use genuine EDCO replacement parts when making repairs to the equipment.
- ❑ When calling for parts, specify the MODEL and SERIAL number of the machine, which can be found on the NAME PLATE. Keep that information in the space provided. In addition to this information, give part number, description, and quantity as listed on the parts list to your parts representative.
- ❑ Please note: Due to improvements and changes in the equipment, the illustrations shown may be different than the actual machine.

FILL IN INFORMATION BELOW

Date of Purchase _____

Model # _____

Serial # _____

SKU # _____



A Division of Equipment Development Company, Inc.

100 Thomas Johnson Drive, Frederick, MD 21702-4600 USA

Phone (301) 663-1600 • 1-800-638-3326

Fax (301) 663-1607 • 1-800-447-3326

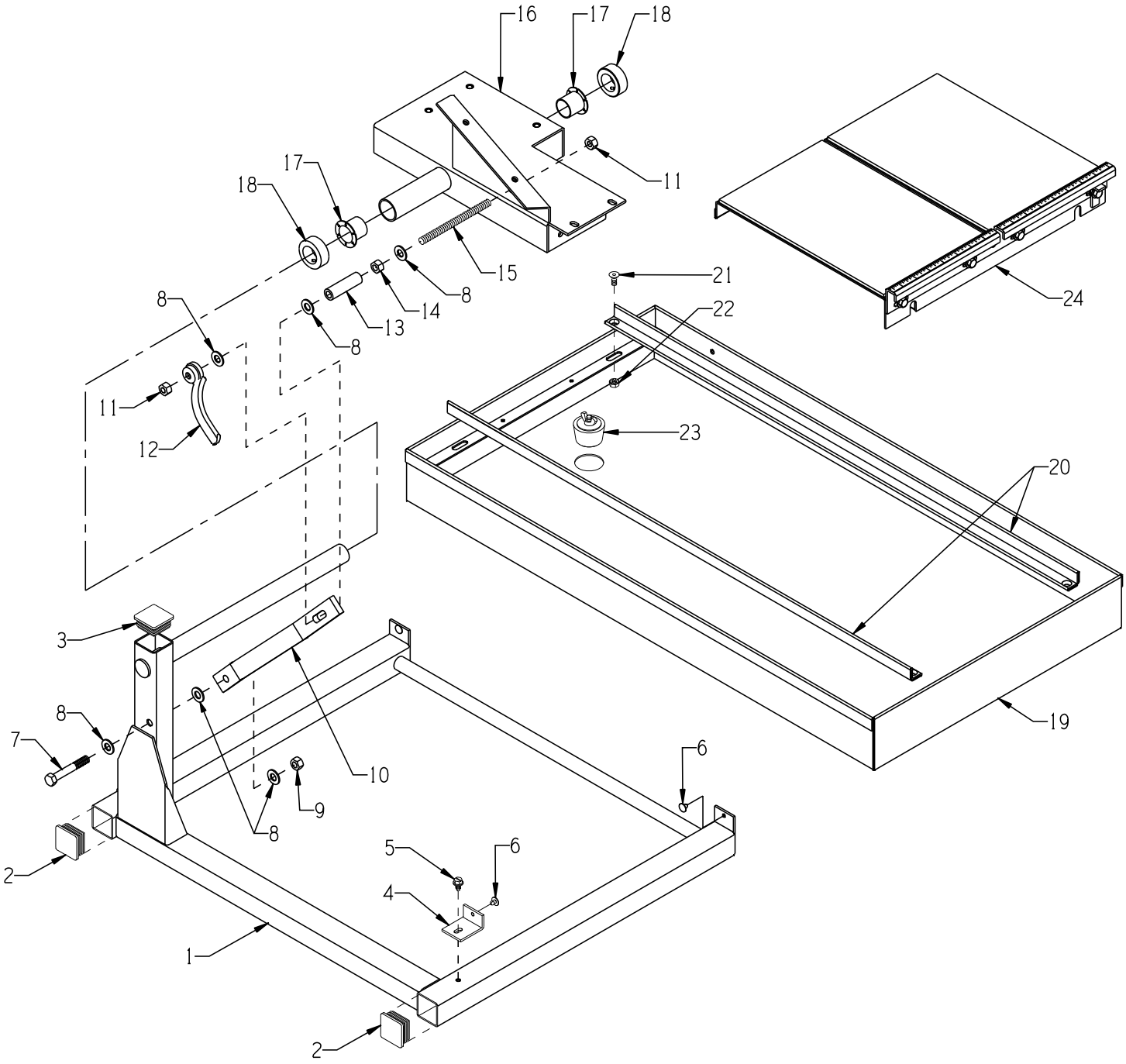
Website: www.edcoinc.com • Email: sales@edcoinc.com

Printed in USA

JWA ©2013

Page 3

ILLUSTRATION 1: MAIN GROUPING



PARTS LISTING - ILLUSTRATION 1 : MAIN GROUPING			
ITEM #	PART #	DESCRIPTION	QTY.
1	42107	BASE & POST FRAME WELDMENT, TMS-10	1
2	42123	PLUG, SQ. TUBE 1-1/2 X 14 GA., BLK.	2
3	42148	PLUG, SQ. TUBE 1-1/2 X 11 GA., BLK	1
4	42126	BRACKET, NYLON RIVET, TMS-10	2
5	10846	SCREW, CAP STSHW 1/4-20 X 1/2	2
6	42127	RIVET, NYLON PUSH-IN PANEL	2
7	10393	SCREW, CAP 3/8-24 X 2-1/2	1
8	10025	WASHER, FLAT 3/8 SAE ZINC (* SHIM AS REQUIRED TO ALIGN DECK PROPERLY)	6*
9	10004	NUT, HEX LOCK 3/8-24 ZINC	1
10	42162	LOCKING BAR, ARBOR HEIGHT, TMS-10	1
11	10156	NUT, HEX NYLON LOCK 3/8-16 ZINC	2
12	40044	NUT, TAIL HANDLE 3/8-16	1
13	42163	SPACER, ARBOR HEIGHT LOCKING BAR 5/8"OD x 3/8"ID x 2-1/8"L	1
14	10404	NUT, HEX 3/8-16 ZINC	1
15	42164	ROD, ALLTHREAD 3/8-16 X 5, TMS-10	1
16	42108N	DECK, MOTOR & ARBOR, TMS-10	1
17	41123	BEARING, SLEEVE 1"ID NYLON FLANGED	2
18	10427	COLLAR, LOCKING 1"ID	2
19	42101	PAN, TMS-10	1
20	42102B	TRACK RAIL 33-3/4"L, GMS/TMS-10	2
21	11540	SCREW, FLAT HD SLT 1/4-20 X 5/8	4
22	10861	NUT, KEPS LOCK 1/4-20 ZINC	4
23	40378	STOPPER ASSEMBLY 1-1/2"	1
24	42170	TABLE COMPLETE, ROLLING, TMS-10 (REFER TO ILLUS. 2 FOR BREAKDOWN)	1



A Division of Equipment Development Company, Inc.

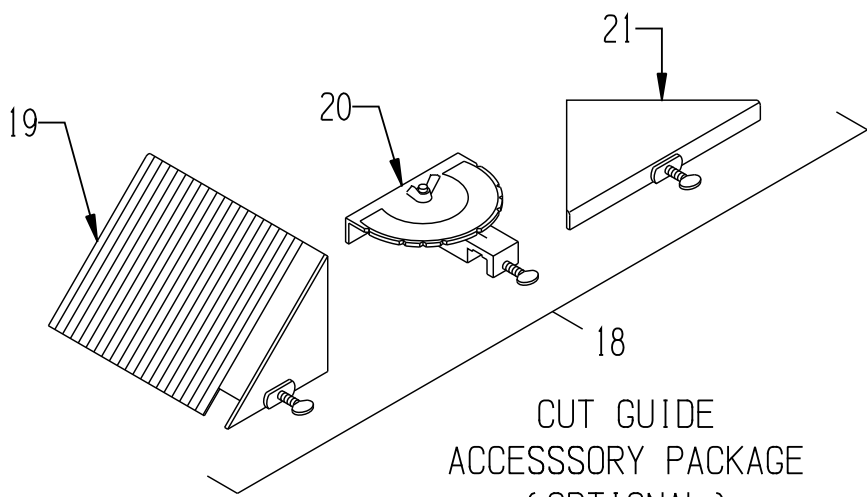
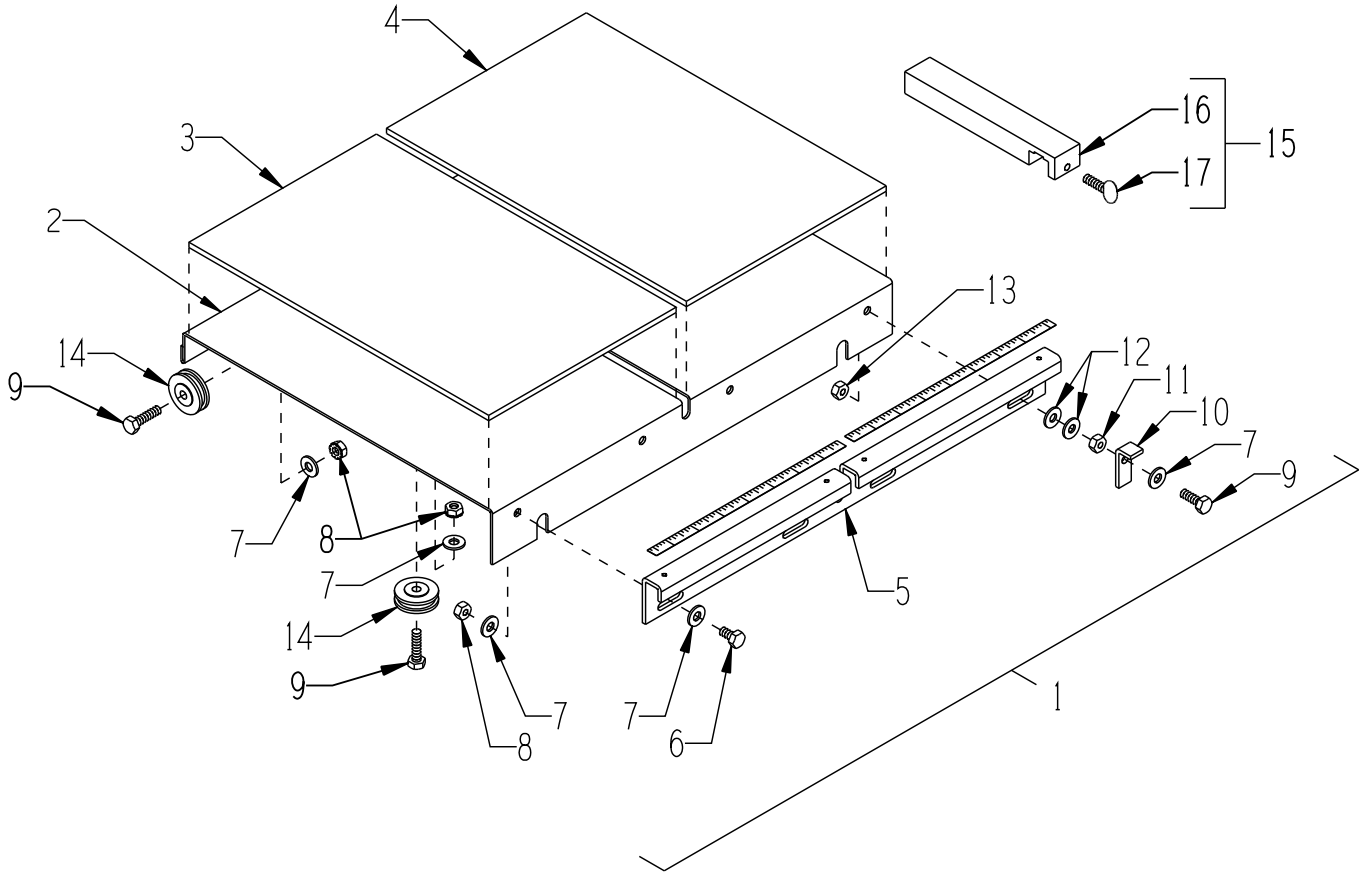
100 Thomas Johnson Drive, Frederick, MD 21702-4600 USA
 Phone (301) 663-1600 • 1-800-638-3326
 Fax (301) 663-1607 • 1-800-447-3326
 Website: www.edcoinc.com • Email: sales@edcoinc.com

Printed in USA

JWA ©2013

Page 5

ILLUSTRATION 2: ROLLING TABLE ASSEMBLY



CUT GUIDE
ACCESSORY PACKAGE
(OPTIONAL)

PARTS LISTING - ILLUSTRATION 2 : ROLLING TABLE ASSEMBLY			
ITEM #	PART #	DESCRIPTION	QTY.
1	42170	TABLE COMPLETE, ROLLING, TMS-10 (INCLUDES ITEMS 2 THRU 16 + RULER DECALS)	1
2	42171	TABLE, ROLLING, TMS-10	1
3	42222	RUBBER PAD 12 X 7-1/2 X 3/16	1
4	42221	RUBBER PAD 12 X 8 X 3/16	1
5	42172	TABLE FRONT PANEL, ROLLING, TMS-10 (NO RULER DECALS)	1
6	10018	SCREW, CAP 1/4-20 X 3/4	3
7	10602	WASHER, FLAT 1/4 SAE ZINC	13
8	10861	NUT, KEPS LOCK 1/4-20 ZINC	9
9	10031	SCREW, CAP 1/4-20 X 1	7
10	42106	LATCH, ROLLING TABLE	1
11	10013	NUT, HEX 1/4-20 ZINC	1
12	11704	WASHER, FLAT .257 X .624 X .060THK	2
13	10015	NUT, HEX LOCK 1/4-20 ZINC	1
14	14082	PULLEY BEARING 1-1/4DIA. X 1/4BORE	6
15	42160	GUIDE ASSY., STRAIGHT CUT, TMS-10 (INCLUDES ITEMS 16 & 17)	1
16	42132	GUIDE ONLY, STRAIGHT CUT, TMS-10	1
17	42133	SCREW, THUMB, SPADE HD 1/4-20 X 3/4	1
18	42149	ACCESSORY PACKAGE, TMS-10 (INCLUDES ITEMS 19, 20 & 21)	1
19	42155	GUIDE ASSY., 45 DEG. MITER, TMS-10	1
20	42150	GUIDE ASSY., ADJ. PROTRACTOR, TMS10	1
21	42153	GUIDE ASSY., DUAL 45D ANGLE, TMS-10	1



A Division of Equipment Development Company, Inc.

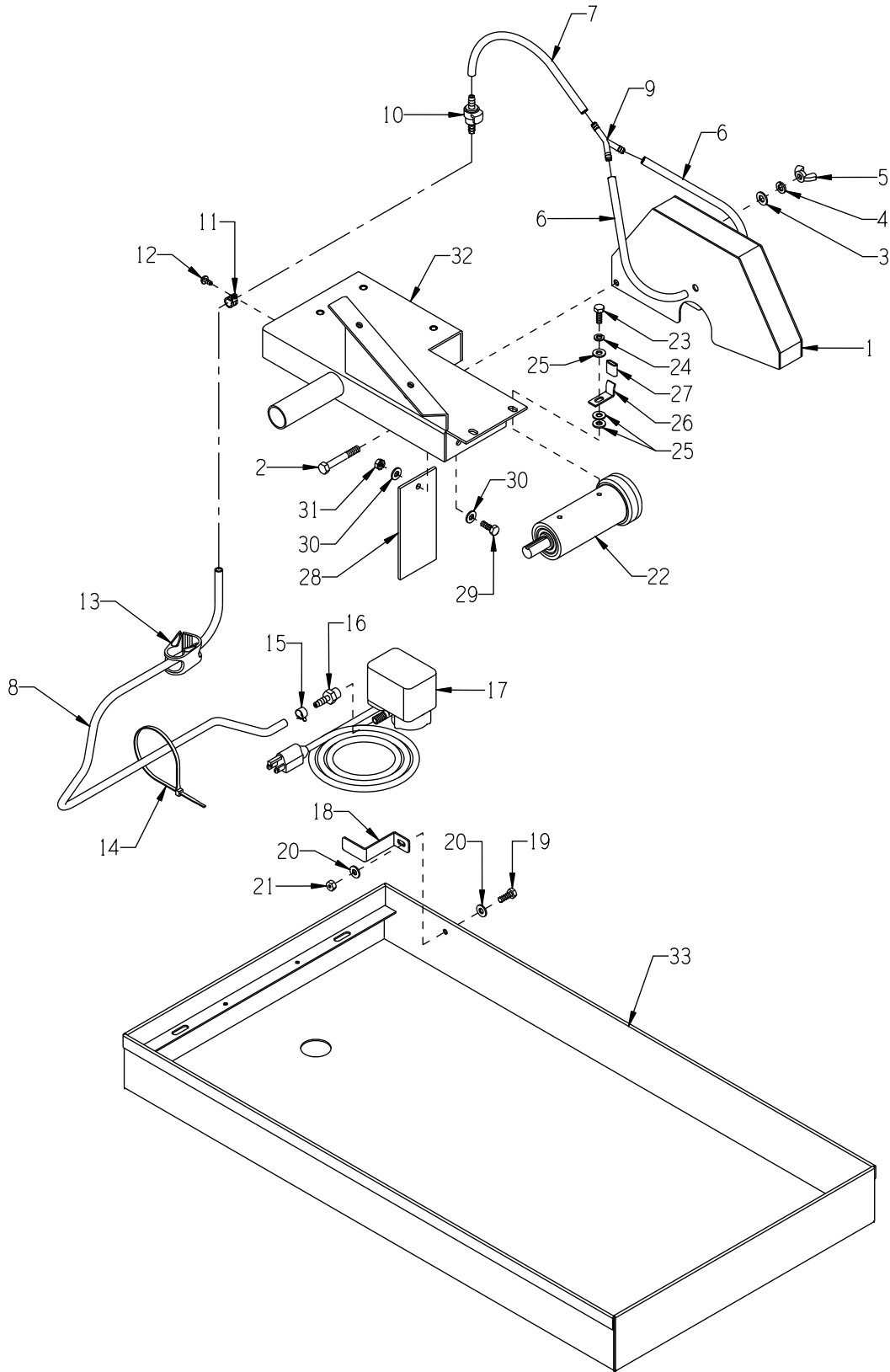
100 Thomas Johnson Drive, Frederick, MD 21702-4600 USA
 Phone (301) 663-1600 • 1-800-638-3326
 Fax (301) 663-1607 • 1-800-447-3326
 Website: www.edcoinc.com • Email: sales@edcoinc.com

Printed in USA

JWA ©2013

Page 7

ILLUSTRATION 3: BLADE GUARD & WATER PUMP GROUPING



PARTS LISTING - ILLUSTRATION 3 : BLADE GUARD & WATER PUMP GROUPING			
ITEM #	PART #	DESCRIPTION	QTY.
1	42113	GUARD, BLADE 10"	1
2	10341	SCREW, CAP 5/16-18 X 2-1/4	1
3	10213	WASHER, FLAT 5/16 SAE ZINC	1
4	10801	WASHER, LOCK 5/16 ZINC	1
5	10902	NUT, WING 5/16-18	1
6	42141	HOSE 1/4"ID X 8"L	2
7	42142	HOSE 1/4"ID X 12"L, TMS-10	1
8	42143	HOSE 1/4"ID X 36"L, TMS-10	1
9	99323	BARBED FITTING, "Y" 1/4"HOSE	1
10	42134	COUPLING, QUICK-DISCONNECT 1/4"	1
11	11690	CLAMP, LOOM, 3/8"	1
12	10877	SCREW, CAP STSHW 10-24 X 1/2	1
13	42131	CLAMP, TUBE, FLOW CONTROL 3/4"	1
14	10982	TIE, CABLE, BLACK NYLON 11-1/4"	4
15	10762	CLAMP, HOSE, SPRING-BAND 3/8" GREEN	1
16	42165	ADAPTER, FEMALE 1/8FNPT X 1/4"HOSE	1
17	42130	PUMP, WATER, TILE SAW	1
18	42166	RETAINER, WATER PUMP, TMS-10	1
19	10018	SCREW, CAP 1/4-20 X 3/4	1
20	10602	WASHER, FLAT 1/4 SAE ZINC	2
21	10861	NUT, KEPS LOCK 1/4-20 ZINC	1
22	42114T	ARBOR ASSY. COMPLETE, TMS-10 (REFER TO ILLUS. 4 FOR BREAKDOWN)	1
23	10018	SCREW, CAP 1/4-20 X 3/4	4
24	10038	WASHER, LOCK 1/4 ZINC	4
25	10602	WASHER, FLAT 1/4 SAE ZINC	6
26	42128	BRACKET, BLADE GUARD RETAINER	1
27	42144	COVER, VIBRATION	1
28	42161	FLAP, SPLASH 2-1/2 X 5-1/4	1
29	10018	SCREW, CAP 1/4-20 X 3/4	1
30	10602	WASHER, FLAT 1/4 SAE ZINC	2
31	10861	NUT, KEPS LOCK 1/4-20 ZINC	1
32	42108N	DECK, MOTOR & ARBOR, TMS-10 (REFER TO ILLUS. 1, ITEM 16)	1
33	42101	PAN, TMS-10 (REFER TO ILLUS. 1, ITEM 21)	1



A Division of Equipment Development Company, Inc.

100 Thomas Johnson Drive, Frederick, MD 21702-4600 USA

Phone (301) 663-1600 • 1-800-638-3326

Fax (301) 663-1607 • 1-800-447-3326

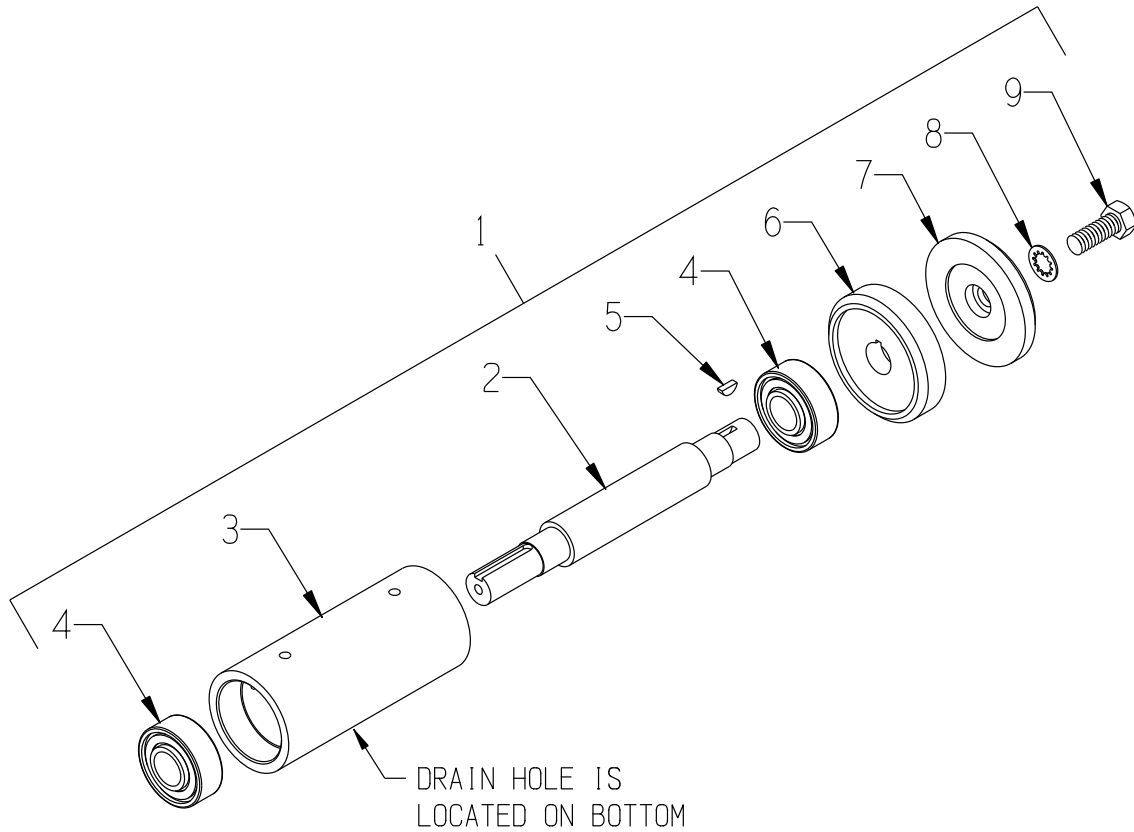
Website: www.edcoinc.com • Email: sales@edcoinc.com

Printed in USA

JWA ©2013

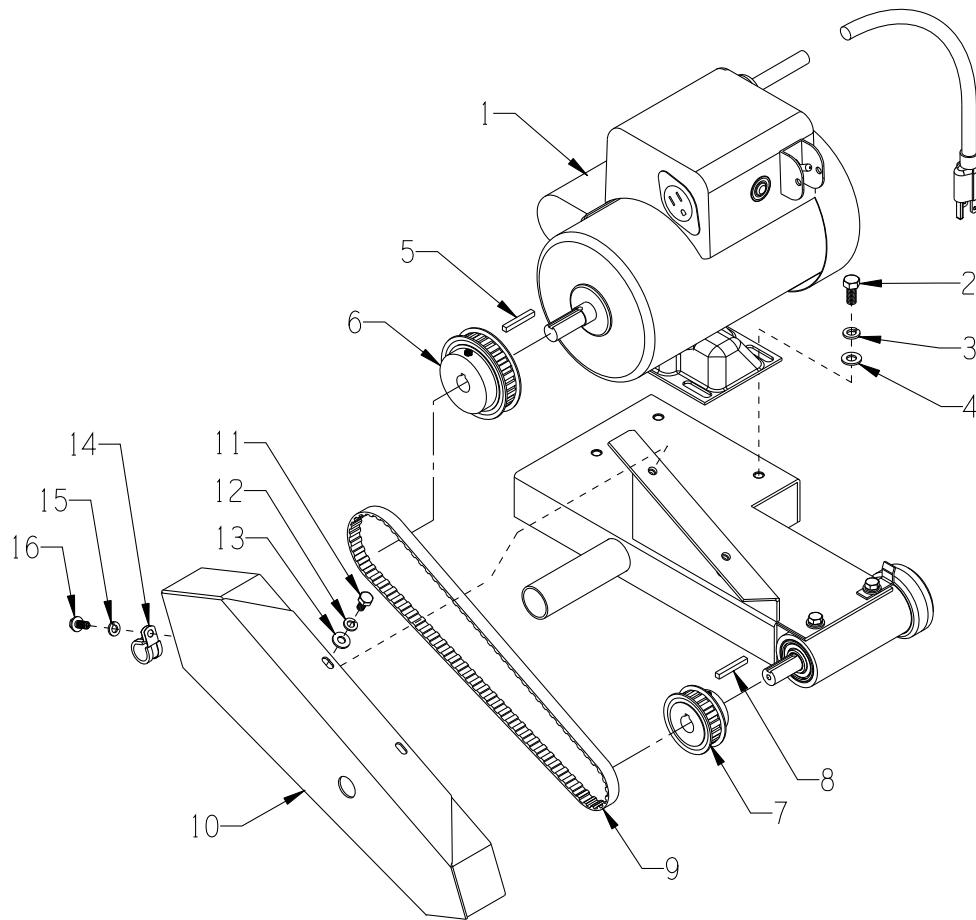
Page 9

ILLUSTRATION 4: ARBOR ASSEMBLY



ITEM #	PART #	DESCRIPTION	QTY.
1	42114T	ARBOR ASSY. COMPLETE, TMS-10 (INCLUDES ITEMS 2 THRU 9)	1
2	42115	ARBOR SHAFT 6-3/4"L	1
3	42116	ARBOR HOUSING	1
4	42119	BEARING, RADIAL BALL 17mm X 40mm X .563in	2
5	40036	KEY, WOODRUFF 1/8 X 3/8 (#403)	1
6	42117	ARBOR BACKING PLATE 2-1/2"	1
7	42118	ARBOR BLADE CAP 2-1/2"	1
8	10453	WASHER, LOCK, INT. TOOTH 3/8"	1
9	10021	SCREW, CAP 3/8-24 X 1	1

ILLUSTRATION 5: MOTOR & BELT DRIVE GROUPING



ITEM #	PART #	DESCRIPTION	QTY.
1	16036	MOTOR, LEESON 1.5HP-1P 60HZ 1650RPM	1
	16063	MOTOR, LEESON 1.5HP-1P 50HZ 1375RPM	1
2	10053	SCREW, CAP 5/16-18 X 3/4	4
3	10213	WASHER, FLAT 5/16 SAE ZINC	4
4	10801	WASHER, LOCK 5/16 ZINC	4
5	-----	KEY 3/16SQ. X 1-3/8 (INCLUDED W/ MOTOR)	1
6	42120	PULLEY, TIMING, 24L050 X 5/8"BORE	1
7	42121	PULLEY, TIMING, 17L050 X 5/8"BORE	1
8	10060	KEY 3/16SQ X 1-1/4	1
9	42124	BELT, TIMING 300L050	1
10	42112	COVER, BELT, TMS-10	1
11	10834	SCREW, CAP 1/4-20 X 1/2 ZINC	2
12	10038	WASHER, LOCK 1/4 ZINC	3
13	10602	WASHER, FLAT 1/4 SAE ZINC	2
14	11565	CLAMP, LOOM, 5/8" (SAE SIZE 10)	1
15	10038	WASHER, LOCK 1/4 ZINC	1
16	10846	SCREW, CAP STSHW 1/4-20 X 1/2	1

DECAL SHEET



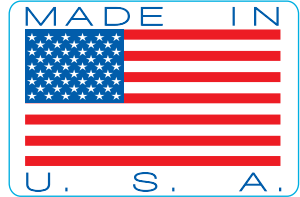
THROTTLE

CHECK OIL DAILY

exceeds 85dBA

WARNING
THERE IS NO OIL IN THIS MACHINE

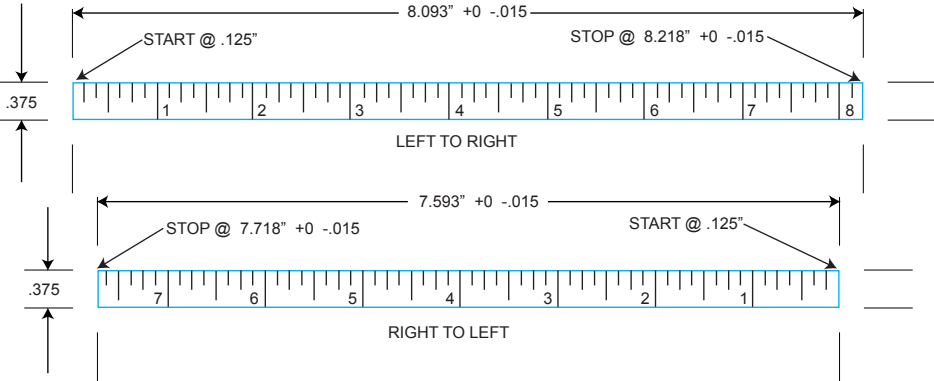
GMS-10 14 x 17
P/N 92209 RevA



CALIFORNIA PROPOSITION 65 WARNING
The engine exhaust from this product contains chemicals known to the State of California to cause cancer, birth defects or other reproductive harm.



RENTAL-TOUGH



DECALS CONTINUED

OFF

115 VOLTS

ON

SINGLE PHASE

220 VOLTS

ROTATION

Electric-3 4 x 7
P/N 92208 Rev. A

CAUTION

GENERATOR SIZE REQUIREMENT

**RATE GENERATOR AT 3 TIMES
MOTOR RATED HORSEPOWER**

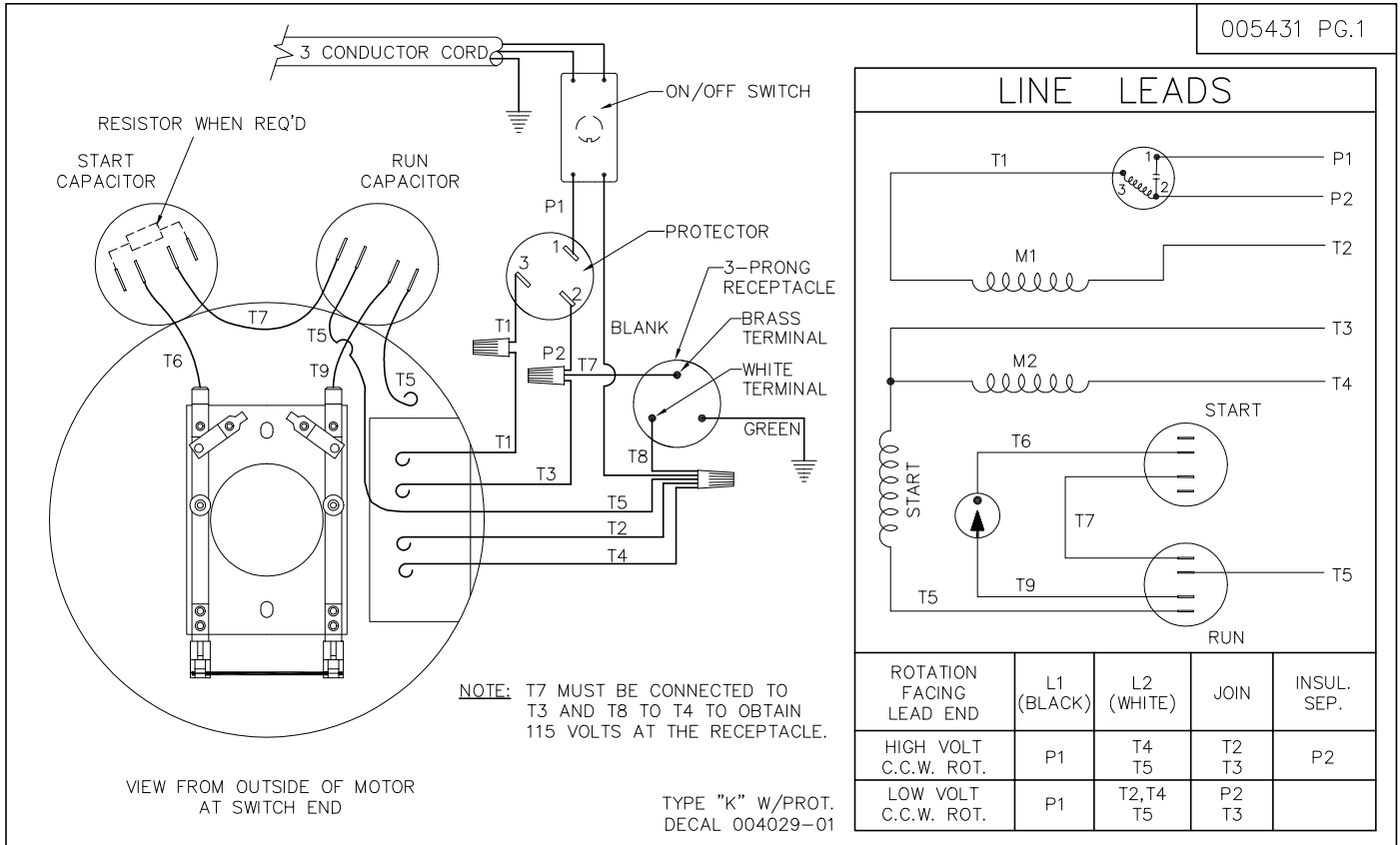
NOTE: Locate this decal so it is visible from operator's position on all electric machines

PN: 91326

WIRING DIAGRAM FOR 60 HERTZ MOTOR

LEESON CAT. NO. 102413
1.5HP 60Hz 1-PHASE

005431 PG.1



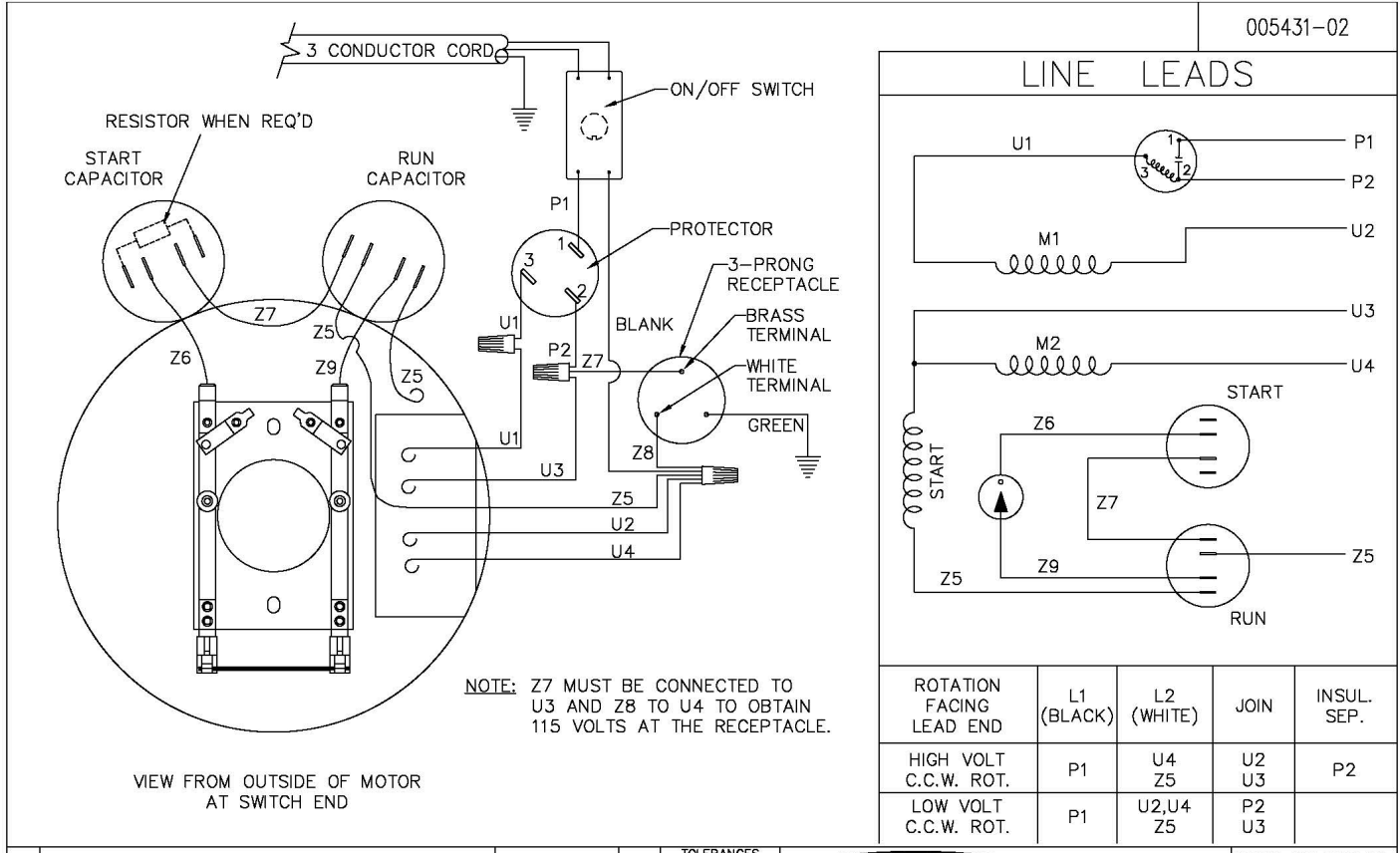
				TOLERANCES UNLESS OTHERWISE SPECIFIED		LEESON ELECTRIC CORPORATION					
				DECIMALS							
				.00	± .01	DRAWN	DWF 8/31/98	TITLE		EXTERNAL WIRING DIAGRAM	
				.000	± .005	CH'K'D.		TYPE "K" W/PROT.			
				.0000	± .0005	APPR.		MAT'L.			
NO.	REVISION	BY	DATE	FRACTIONS	± 1/64	SCALE	1=2	DUAL VOLTAGE C.C.W. ROTATION			
THIS DRAWING IN DESIGN AND DETAIL IS OUR PROPERTY AND MUST NOT BE USED EXCEPT IN CONNECTION WITH OUR WORK ALL RIGHTS OF DESIGN AND INVENTION ARE RESERVED				ANGLES	± 1/2'	REF.	005037.02	FINISH	EDCO	SIZE	DRAWING NO.
				INCH/MM		FMF	102413.00	A	005431 PG.1		

REPLACEMENT PARTS	
PART #	DESCRIPTION
16139	SWITCH, TOGGLE DPST (ON/OFF)
16153	RESET BUTTON, LEESON 300002.02 CEJ53CA
16174	CAPACITOR, RUN, LEESON 003014.02, 50MFD 240V
16181	CAPACITOR, START, LEESON 003024.01, 374 MFD 115V

WIRING DIAGRAM FOR 50 HERTZ MOTOR

LEESON CAT. NO. 103176
1.5HP 50Hz 1-PHASE

005431-02



		TOLERANCES UNLESS SPECIFIED		LEESON ELECTRIC MOTORS GEARMOTORS AND DRIVES	DRAWN RVD 04/02/07						
		DEC.	INCHES		CHK						
		.X	±.1		APPD						
		.XX	±.01		SCALE	1=1					
		.XXX	±.005		REF	EXPR070037					
		.XXXX	±.0005	MAT'L	103176						
NO.	REVISION	BY & DATE	CHK	ANG	±1/2"	FINISH	PREV				
THIS DRAWING IN DESIGN AND DETAIL IS OUR PROPERTY AND MUST NOT BE USED EXCEPT IN CONNECTION WITH OUR WORK ALL RIGHTS OF DESIGN AND INVENTION ARE RESERVED THIS IS AN ELECTRONICALLY GENERATED DOCUMENT - DO NOT SCALE THIS PRINT				RFP	CAD FILE	00543102	SIZE	DRAWING NO.	PAGE	OF	REV.
				DIST	BRF		A	005431-02			

6/29/2007 3:01:40 PM

REPLACEMENT PARTS	
PART #	DESCRIPTION
16139	SWITCH, TOGGLE DPST (ON/OFF)
16545	RESET BUTTON, LEESON 300067.02 CEJ51CA
16174	CAPACITOR, RUN, LEESON 003014.02, 50MFD 240V
16181	CAPACITOR, START, LEESON 003024.01, 374 MFD 115V



100 Thomas Johnson Drive, Frederick, MD 21702-4600 USA
Phone (301) 663-1600 • 1-800-638-3326
Fax (301) 663-1607 • 1-800-447-3326
Website: www.edcoinc.com • Email: sales@edcoinc.com

Printed in USA
JWA ©2013
Page 15

LIMITED EQUIPMENT WARRANTY OF SALE - TERMS & CONDITIONS

Equipment Development Company, Inc. herein referred to as EDCO (Seller) warrants that each new unit manufactured by EDCO to be free from defects in material and workmanship in normal use and service for a period of (1) one year (except for the cutter drum assembly on all model concrete/asphalt planes, in which case the warranty period shall be 90 days) from date of shipment to the original retail or equipment rental center owner.

Accessories or equipment furnished and installed on the product by EDCO but manufactured by others, including, but not limited to engines, motors, electrical components, transmissions etc., shall carry the accessory manufacturers own warranty.

EDCO will, at its option, repair or replace, at the EDCO factory or at a point designated by EDCO, any part which shall appear to the satisfaction of EDCO inspection to have been defective in material or workmanship.

EDCO reserves the right to modify, alter and improve any part or parts without incurring any obligation to replace any part or parts previously sold without such modified, altered or improved part or parts.

This warranty is in lieu of and excludes all other warranties, expressed, implied, statutory, or otherwise created under applicable law including, but not limited to the warranty of merchantability and the warranty of fitness for a particular purpose in no event shall seller or the manufacturer of the product be liable for special, incidental, or consequential damages, including loss of profits, whether or not caused by or resulting from the negligence of seller and/or the manufacturer of the product unless specifically provided herein. In addition, this warranty shall not apply to any products or portions thereof which have been subjected to abuse, misuse, improper installation, maintenance, or operation, electrical failure or abnormal conditions and to products which have been tampered with, altered, modified, repaired, reworked by anyone not approved by seller or used in any manner inconsistent with the provisions of the above or any instructions or specifications provided with or for the product

FORCE MAJEURE

Seller's obligation hereunder are subject to, and Seller shall not be held responsible for, any delay or failure to make delivery of all or any part of the Product due to labor difficulties, fires, casualties, accidents, acts of the elements, acts of God, transportation difficulties, delays by a common carrier, inability to obtain Product, materials or components or qualified labor sufficient to timely perform part of or all of the obligations contained in these terms and conditions, governmental regulations or actions, strikes, damage to or destruction in whole or part of manufacturing plant, riots, terrorist attacks or incidents, civil commotions, warlike conditions, flood, tidal waves, typhoon, hurricane, earthquake, lightning, explosion or any other causes, contingencies or circumstances within or without the United States not subject to the Seller's control which prevent or hinder the manufacture or delivery of the Products or make the fulfillment of these terms and conditions impracticable. In the event of the occurrence of any of the foregoing, at the option of Seller, Seller shall be excused from the performance under these Terms and Conditions, or the performance of the Seller shall be correspondingly extended.

This document sets forth the terms and conditions pursuant to which the purchaser ("Purchaser") will purchase and Equipment Development Co. Inc. ("Seller") will sell the products, accessories, attachments (collectively the Products) ordered by the Purchaser. These terms and conditions shall govern and apply to the sale of Seller's Products to Purchaser, regardless of any terms and conditions appearing on any purchase order or other forms submitted by Purchaser to Seller, or the inconsistency of any terms therein and herein.

1. PRICE

All prices set forth on any purchase order or other document are F.O.B. Sellers facility or distribution point, as may be determined by Seller (F.O.B. Point). All prices are exclusive of any and all taxes, including, but not limited to, excise, sales, use, property or transportation taxes related to the sale or use of the Products, now or hereafter imposed, together with all penalties and expenses. Purchaser shall be responsible for collecting and/or paying any and all such taxes, whether or not they are stated in any invoice for the Products. Unless otherwise specified herein, all prices are exclusive of inland transportation, freight, insurance and other costs and expenses relating to the shipment of the Products from the F.O.B. point to Purchaser's facility. Any prepayment by Seller of freight insurance and other costs shall be for the account of Purchaser and shall be repaid to Seller.

2. PAYMENT TERMS

Payment terms are as follows. 2% 10 days (to approved and qualified accounts). Net 30 days. This is a cash discount for invoices paid within 10 days after the invoice date, regardless of date of receipt of shipment. This is not a trade discount and will not be granted to accounts that do not adhere to stated terms.

*All past due accounts are subject to a late payment fee of 1.5% per month or a maximum allowed by law if different, along with the expenses incidental to collection including reasonable attorney's fees and costs.

*Seller reserves the right to hold shipments against past due accounts.

*Seller reserves the right to alter payment terms.

3. FREIGHT TERMS

All shipments will be made F.O.B. shipping point as designated in these Terms and Conditions, and title shall pass at the F.O.B. point. Delivery to the initial common carrier shall constitute delivery to the Purchaser. Any claims for loss or damage during shipment are to be filed with carrier by the Purchaser. Seller will not assume responsibility for the performance of the carrier.

Back orders will be shipped in the most practical fashion with charges consistent with our freight policy established with the original order. UPS, FED EX, MAIL or shipments by other couriers are subject to the same terms and conditions as outlined in paragraph #3 "Freight Terms".

4. DELIVERY, DAMAGES, SHORTAGES

Seller shall use reasonable efforts to attempt to cause the Products to be delivered as provided for in these Terms & Conditions. Delivery to the initial common carrier shall constitute the delivery to the Purchaser. Seller's responsibility, in so far as transportation risks are concerned ceases upon the delivery of the Products in good condition to such carrier at the F.O.B. point and all the Products shall be shipped at the Purchaser's risk. Seller shall not be responsible or liable for any loss of income and/or profits, or incidental, special, consequential damages resulting from Seller's delayed performance in shipment and delivery.

5. RETURN OF DEFECTIVE PRODUCTS

Defective or failed material shall be held at the Purchaser's premises until authorization has been granted by Seller to return or dispose of Products. Products that are to be returned for final inspection must be returned Freight Prepaid in the most economical way. Credit will be issued for material found to be defective upon Seller's inspection based on prices at time of purchase.

6. PRODUCTS ORDERED IN ERROR

Products may be returned, provided that claim is made and Seller is notified within 7 days of receipt of Products, and the Products are in original buyer's possession not more than 30 days prior to return, subject to Seller's approval. If Products are accepted for return, they must be Freight Prepaid and buyer will be charged a minimum of 15% restocking charge, plus a charge back for outbound freight charges if the original order was shipped prepaid. Returns are not accepted for any Products that are specifically manufactured to meet the buyer's requirement of either specifications or quantity.

AGREEMENTS

These Terms and Conditions constitute the entire agreement between Seller and Purchaser as it relates to terms and conditions of sale, and supersedes any and all prior oral or written agreements, correspondence, quotations or understandings heretofore in force between the parties relating to the subject matter hereof. There are no agreements between Seller and Purchaser with respect to the Product herein except those specifically set forth in and made part of these terms and conditions. Any additional terms, conditions and/or prices are rejected by Seller.

These terms and conditions may be modified, cancelled or rescinded only by a written agreement of both parties executed by their duly authorized agents.

USE ONLY GENUINE EDCO PARTS & ACCESSORIES
For your own safety, the safety of others and the life of your machine.

Equipment Development Company, Inc.