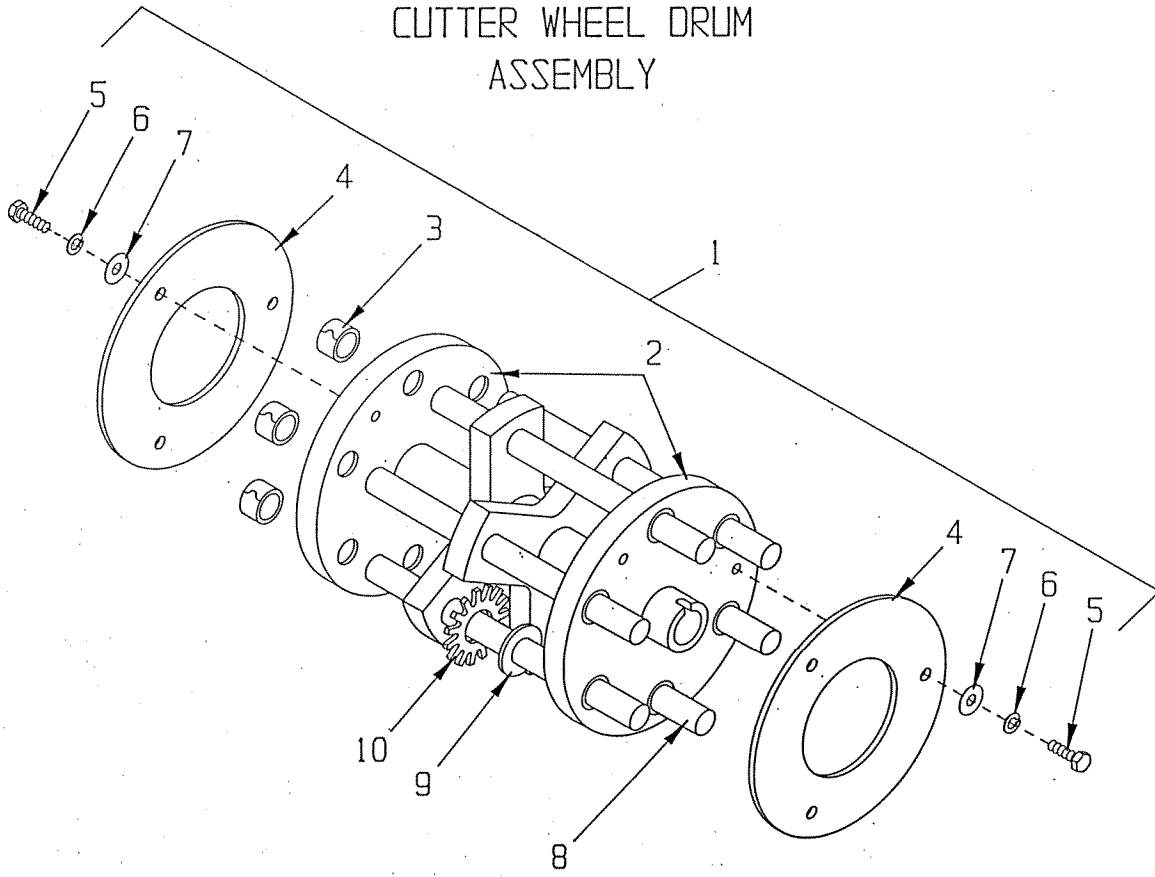
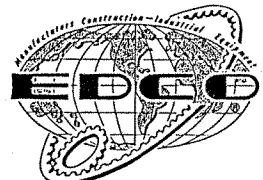


6-SHAFT  
CUTTER WHEEL DRUM  
ASSEMBLY



Item #	Part #	Description	Qty.
1	64251	Drum Assembly Complete, Cutter (Includes Items 2 thru 7)	
2	64252	Drum Only, Cutter	1
3	84063	Bushing, Hardened Steel, 3/4"ID	12
4	64253	Retaining Plate	2
5	10806	Screw, Cap 5/16-18 x 1	6
6	10801	Washer, Lock 5/16	6
7	10213	Washer, Flat 5/16	6
8	20140	CP408 Shaft 9-7/8"L	6
9	20060	CP403 Spacer 1-1/2"O.D. x 3/4"I.D.	*
10		Cutter Wheel	*
	20076	CP404 2-3/8" Flat Tooth	
	20046	CP404P 2-3/8" Pointed Tooth	
	20286	CP404T 2-3/8" Carbide	

\* NOTE:  
Cutter Wheels, Spacers, and Shafts are not included with Drum Assembly.  
The number of Cutter Wheels and Spacers vary with type of set-up used.  
Refer to assembly instructions for suggested set-ups and quantities.



**EQUIPMENT DEVELOPMENT COMPANY, INC.**  
100 THOMAS JOHNSON DRIVE, FREDERICK, MARYLAND 21702-4305 USA  
301-663-1600 TOLL FREE 1-800-638-3326 FAX 301-663-1607