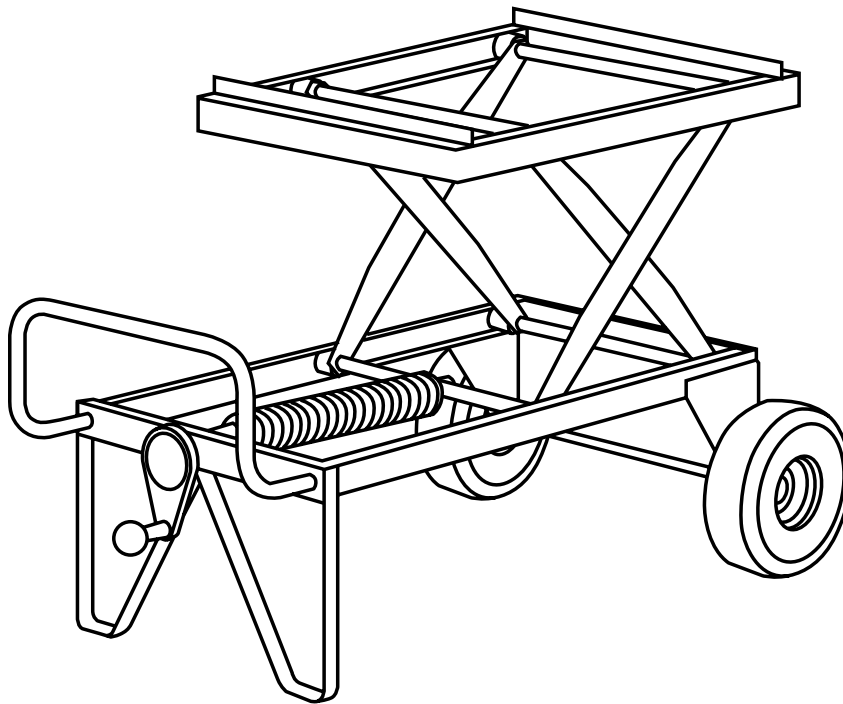


## PARTS LIST MANUAL

# ProCart



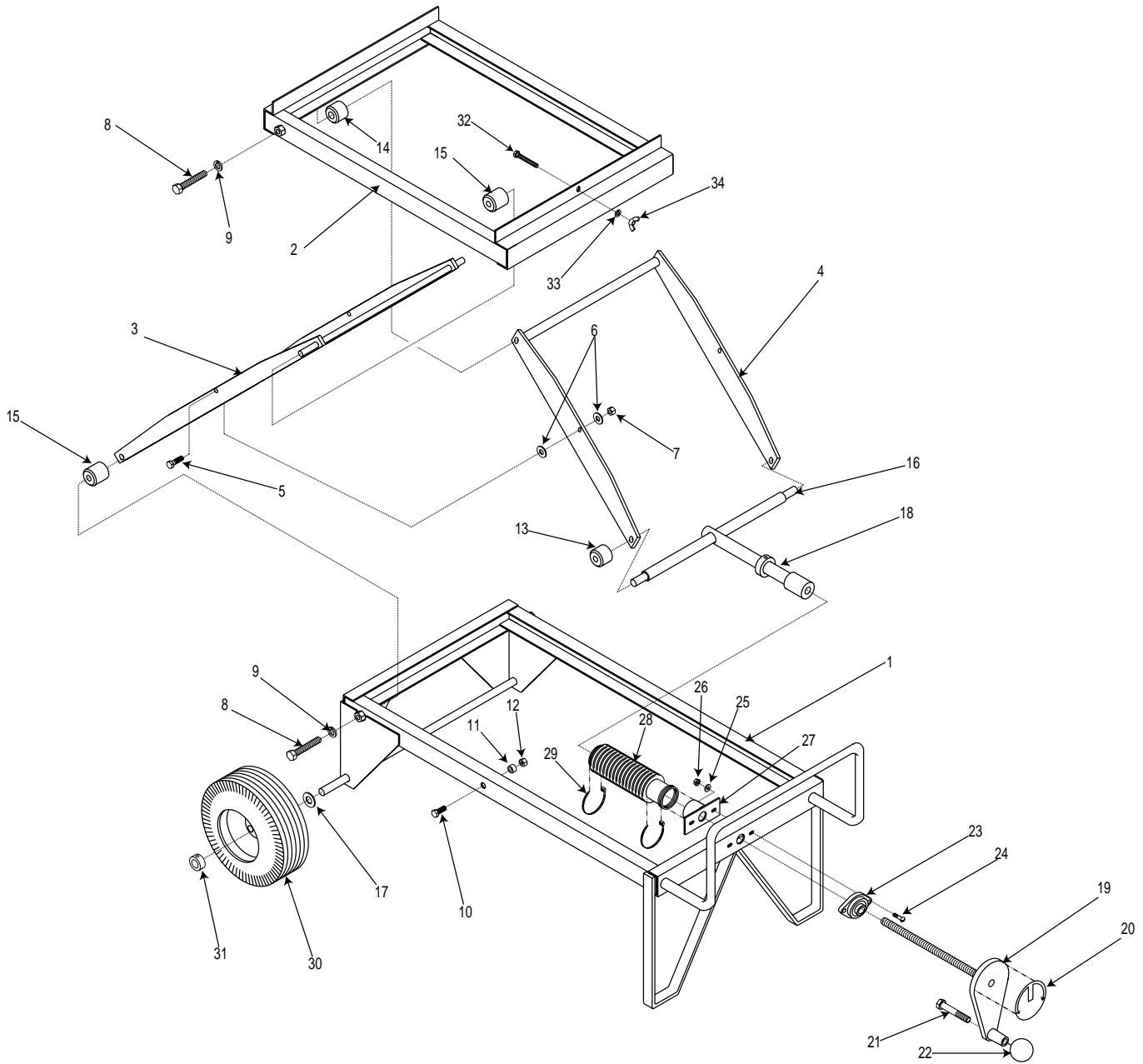
**Adjustable Height Cart  
Part No. 24750**



100 Thomas Johnson Drive, Frederick, MD 21702-4600 USA  
Phone (301) 663-1600 • 1-800-638-3326  
Fax (301) 663-1607 • 1-800-447-3326  
Website: [www.edcoinc.com](http://www.edcoinc.com) • Email: [sales@edcoinc.com](mailto:sales@edcoinc.com)

Printed in USA  
©2000

# ProCart ASSEMBLY



PARTS LISTING : ProCart ASSEMBLY			
ITEM#	PART#	DESCRIPTION	QTY.
1	24751	FRAME WELDMENT, BASE	1
2	24752	FRAME WELDMENT, TOP	1
3	24753	SCISSOR WELDMENT, INNER	1
4	24754	SCISSOR WELDMENT, OUTER	1
5	10309	SCREW, CAP 3/8-24 x 1-1/4	2
6	10025	WASHER, FLAT 3/8	4
7	10152	NUT, HEX NYLON LOCK 3/8-24	2
8	10340	BOLT, TAP 1/2-13 x 3 (FULL THREAD)	4
9	10045	WASHER, LOCK 1/2	4
10	10021	SCREW, CAP 3/8-24 x 1	2
11	10011	SPACER, STEEL 5/8" OD x 3/8" ID x 3/8"	2
12	10152	NUT, HEX NYLON LOCK 3/8-24	2
13	24756	WHEEL, TRACK, 1-1/2" OD x 5/8" ID x 1-3/16" L	2
14	24757	WHEEL, TRACK, 1-1/2" OD x 1/2" ID x 1-3/16" L	2
15	24758	WHEEL, TRACK, 1-1/2" OD x 1/2" ID x 1-9/16" L	4
16	24755	ROD 5/8" DIA. x 18-11/16" L	1
17	10073	WASHER, FLAT 5/8	2
18	24759	LINKAGE, RAISE/LOWER	1
19	51075	HANDWHEEL, LARGE w/ 5/8-8 x 13" ROD	1
20	91145	DECAL, CUT CONTROL - UP/DN (LARGE ROUND)	1
21	10499	SCREW, SKT. HD. CAP 1/2-13 x 3	1
22	10104	KNOB, BALL 1-7/8" w/ 1/2-13 THD.	1
23	80009	BEARING, BALL 5/8" 2-HOLE FLANGE	1
24	10412	BOLT, CARRIAGE 1/4-20 x 1	2
25	10602	WASHER, FLAT 1/4	2
26	10861	NUT, KEPS 1/4-20	2
27	24762	BRACKET, BELLOWS	1
28	24761	BELLOWS 1-3/4" ID x 10-1/4" LG	1
29	10982	TIE, NYLON, BLACK 7-1/2"	2
30	24760	WHEEL 10 x 4 x 5/8" BRG (PNEUMATIC OFFSET)	2
31	10096	COLLAR, LOCKING 5/8" ID	2
32	10341	SCREW, CAP 5/16-18 x 2-1/4	1
33	10801	WASHER, LOCK 5/16	1
34	10902	NUT, WING 5/16-18	1

# LIMITED EQUIPMENT WARRANTY

Equipment Development Company, Inc. herein referred to as EDCO warrants that each new unit manufactured by EDCO to be free from defects in material and workmanship in normal use and service for a period of (1) one year (except in the case of the cutter drum assembly on all model concrete asphalt planes, in which case the warranty period shall be 90 days) from date of shipment to the original retail or equipment rental center owner.

EDCO will, at its option, repair or replace, at the EDCO factory or at a point designated by EDCO any part, which shall appear to the satisfaction of EDCO inspection to have been defective in material or workmanship.

This warranty, does not apply to failure occurring as a result of abuse, misuse, negligent repairs, corrosion, erosion, normal wear and tear, alterations or modifications made to the product without express written consent of EDCO: or failure to follow the recommended operating practices and maintenance procedures as provided in the products operating and maintenance manuals.

This warranty does not obligate EDCO to bear any transportation charges in connection with the replacement or repair of defective parts. This warranty does not obligate EDCO to bear any expense for travel time or of personnel in connection with any service calls.

Accessories or equipment furnished and installed on the product by EDCO but manufactured by others, including but not limited to engines, motors, electrical equipment, transmissions, etc., shall carry the accessory manufacturers' own warranty.

THIS WARRANTY IS IN LIEU OF ALL OTHER WARRANTIES, EXPRESSED OR IMPLIED, OR STATUTORY, INCLUDING ANY WARRANTIES OF MERCHANTABILITY OR OF FITNESS FOR A PARTICULAR PURPOSE.

## LIABILITY LIMITATIONS

The remedies of the user set forth under provisions of warranty outlined above are the exclusive and total liability of EDCO with the respect to their sale or the equipment and service furnished hereunder, in connection with the performance or breach thereof, or from the sale, delivery, installation, repair or technical direction covered by or furnished under the sale, whether based on contract, warranty, negligence, indemnity, strict liability, or otherwise shall not exceed the purchase price of the unit of equipment upon which such liability is based.

EDCO will not in any event be liable to the user, any successors in interest or any beneficiary or assignee relating to this sale for any consequential, incidental, indirect, special or punitive damages arising out of this sale or any breach thereof, or any defects on, or failure of, or malfunction of the equipment under this sale based upon loss of use, lost profits or revenue, interest, lost goodwill, work stoppage, impairment of other goods, loss by reason of shutdown or non-operation, increased expenses of operation of the equipment, cost of purchase or replacement power of claims of users or customers of the user for service interruption whether or not such loss or damage is based on contract, warranty, negligence, indemnity, strict liability, or otherwise.

EDCO reserves the right to modify, alter and improve any part or parts without incurring any obligation to replace any part or parts previously sold without such modified, altered or improved part or parts.

No person is authorized to give any other warranty or to assume any additional obligation on EDCO's behalf unless made in writing and signed by an officer of EDCO.

Equipment Development Company, Inc.

## USE ONLY GENUINE EDCO PARTS AND ACCESSORIES

For your own safety, the safety of others and the life of your machine

