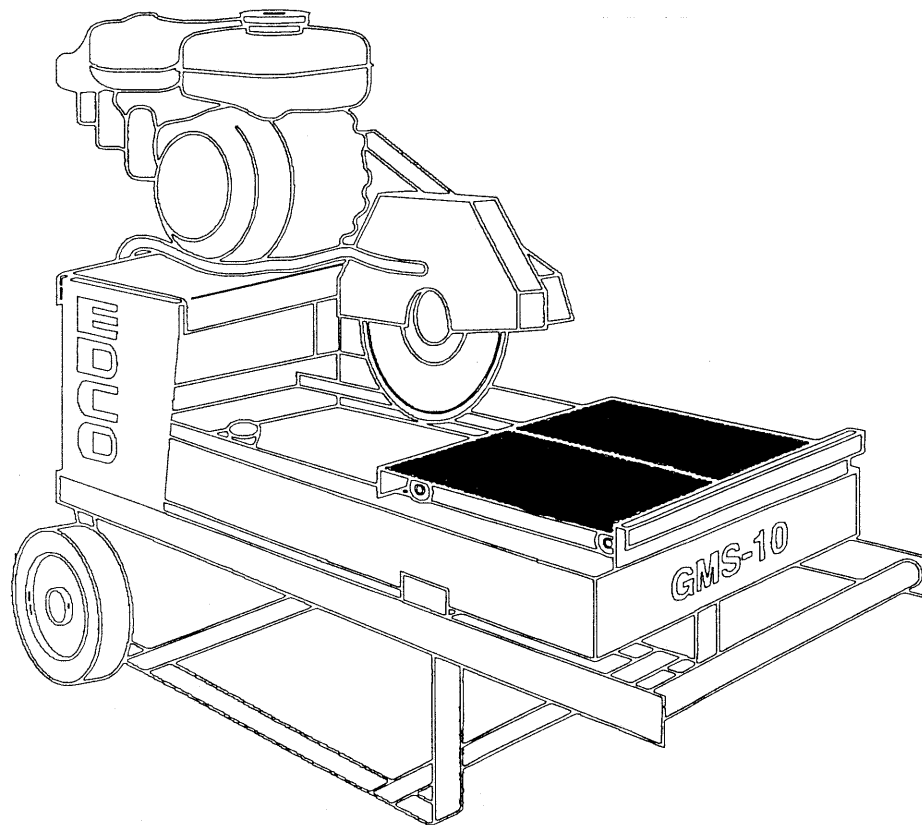


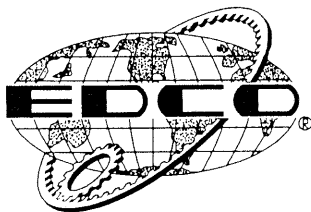
EFFECTIVE MAY 1998
STARTING SERIAL # 5001

GASOLINE POWERED 10" MASONRY SAW

PARTS LIST MANUAL



Model GMS-10



EQUIPMENT DEVELOPMENT COMPANY, INC.

100 THOMAS JOHNSON DRIVE, FREDERICK, MARYLAND 21702-4600 USA

PHONE (301)663-1600

TOLL FREE 1-800-638-3326

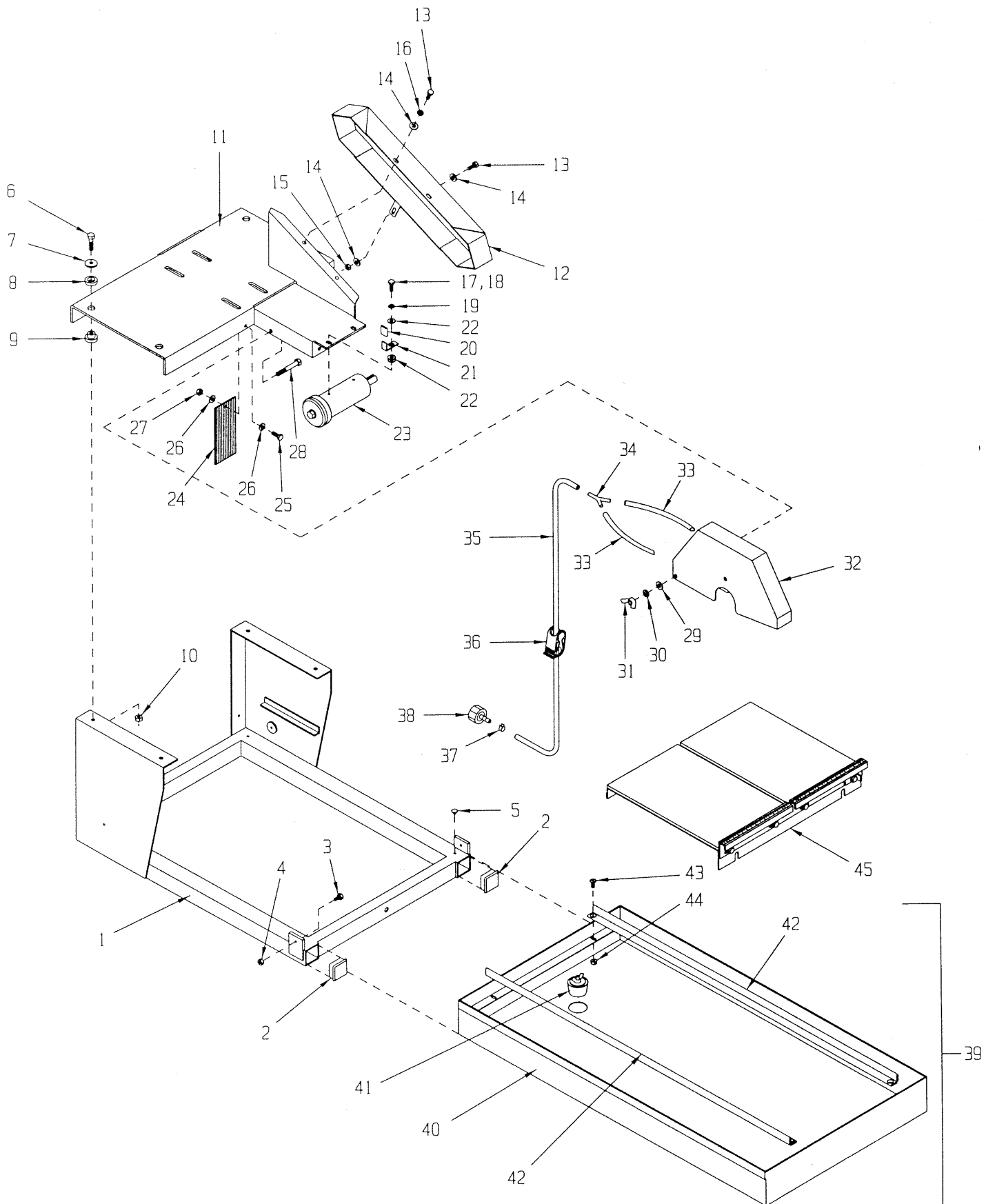
FAX (301)663-1607

FAX FREE 1-800-447-3326

WEBSITE: WWW.EDCCINC.COM

EMAIL: SALES@EDCCINC.COM

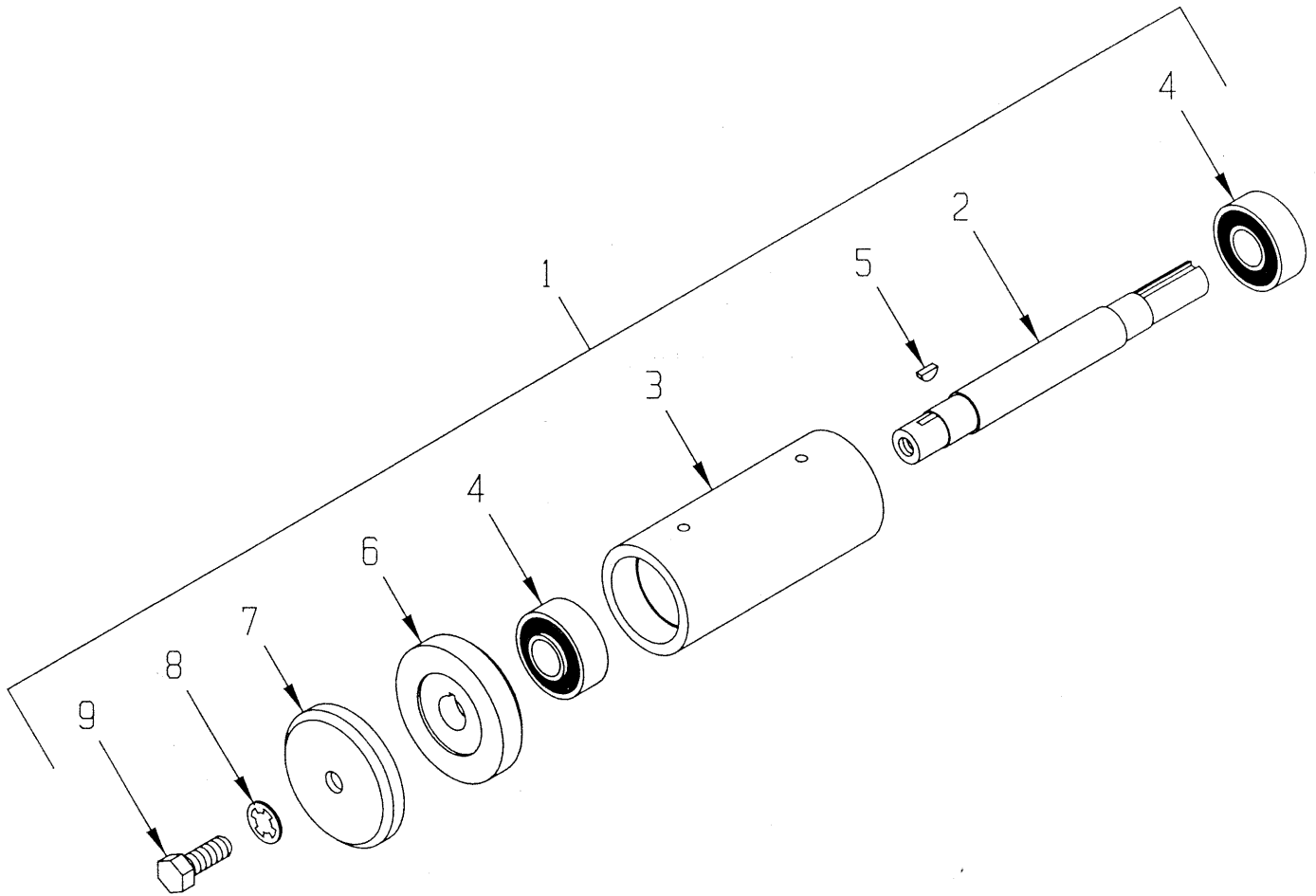
ILLUSTRATION 1: MAIN ASSEMBLY GROUPING



**PARTS LISTING - ILLUSTRATION 1:
MAIN ASSEMBLY GROUPING**

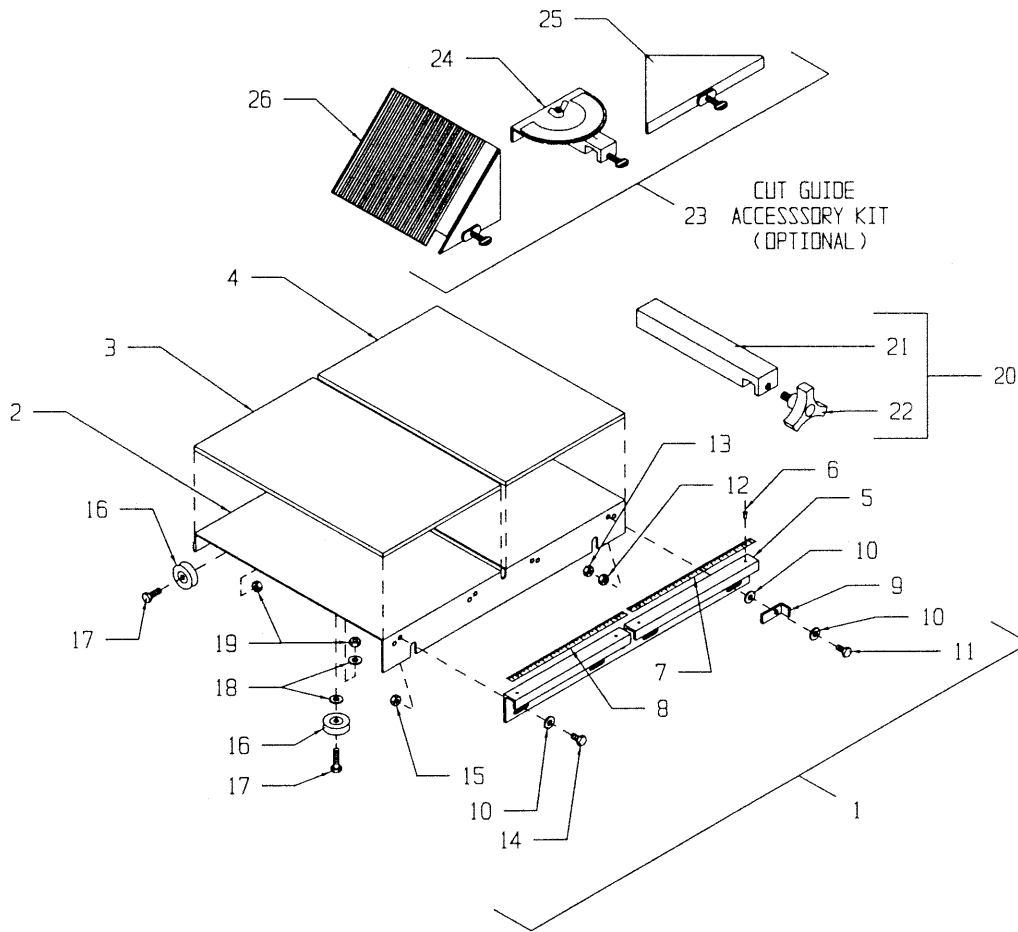
ITEM #	PART #	DESCRIPTION	QTY.
1	42201	MAIN FRAME	1
2	42148	PLUG, SQ. TUBE 1-1/2 X 14 GA., BLACK	2
3	42213	SCREW, NYLON MACHINE 10-32 x 1/2	AS REQ'D.
4	42214	NUT, NYLON HEX 10-32	AS REQ'D.
5	42127	RIVET, NYLON PUSH-IN PANEL	10
6	10606	SCREW, CAP 5/16-18 X 1-1/4	4
7	42203	WASHER, RUBBER BUSHING	4
8	40326	BUSHING, RUBBER 1-1/4"OD X 5/8"ID X 1/4"THK	4
9	10225	BUSHING, GMS ENGINE MOUNT	4
10	10807	NUT, LOCK 5/16-18	4
11	42202	DECK, ENGINE & ARBOR	1
12	42207	COVER, BELT	1
13	10018	SCREW, CAP 1/4-20 X 3/4	3
14	10602	WASHER, FLAT 1/4	4
15	10861	NUT, KEPS 1/4-20	1
16	10038	WASHER, LOCK 1/4	2
17	10018	SCREW, CAP 1/4-20 X 3/4	1
18	10834	SCREW, CAP 1/4-20 X 1/2	3
19	10038	WASHER, LOCK 1/4	4
20	42144	COVER, VIBRATION	1
21	42128	BRACKET, BLADE GUARD RETAINER	1
22	10602	WASHER, FLAT 1/4	4
23	42114	ARBOR ASSEMBLY COMPLETE (REFER TO ILLUS. 2 FOR BREAKDOWN)	1
24	42161	FLAP, SPLASH 2-1/2 X 5-1/2	1
25	10018	SCREW, CAP 1/4-20 X 3/4	1
26	10602	WASHER, FLAT 1/4	2
27	10861	NUT, KEPS 1/4-20	1
28	10341	SCREW, CAP 5/16-18 X 2-1/4	1
29	10213	WASHER, FLAT 5/16	1
30	10801	WASHER, LOCK 5/16	1
31	10902	NUT, WING 5/16-18	1
32	42113	GUARD, BLADE 10"	1
33	42141	HOSE 1/4"ID X 8"L	2
34	99323	BARBED FITTING, "Y" 1/4"HOSE (PLASTIC)	1
35	42208	HOSE 1/4"ID X 30"L	1
36	42131	CLAMP, TUBE, FLOW CONTROL 3/4"	1
37	10762	CLAMP, HOSE SPRING-TYPE 3/8" (GREEN)	1
38	11570	INSERT, SWIVEL FEMALE 1/4"HOSE X 3/4"GHT	1
39	42204A	PAN ASSEMBLY W/ RAILS & STOPPER (INCLUDES ITEMS 40 THRU 44)	
40	42204	PAN	1
41	40378	STOPPER ASSEMBLY 1-1/2"	1
42	42102B	TRACK RAIL	2
43	11540	SCREW, FLAT HEAD SLOTTED 1/4-20 X 5/8	4
44	10861	NUT, KEPS 1/4-20	4
45	42220	TABLE COMPLETE, ROLLING (REFER TO ILLUS. 3 FOR BREAKDOWN)	1

ILLUSTRATION 2: ARBOR ASSEMBLY GROUPING



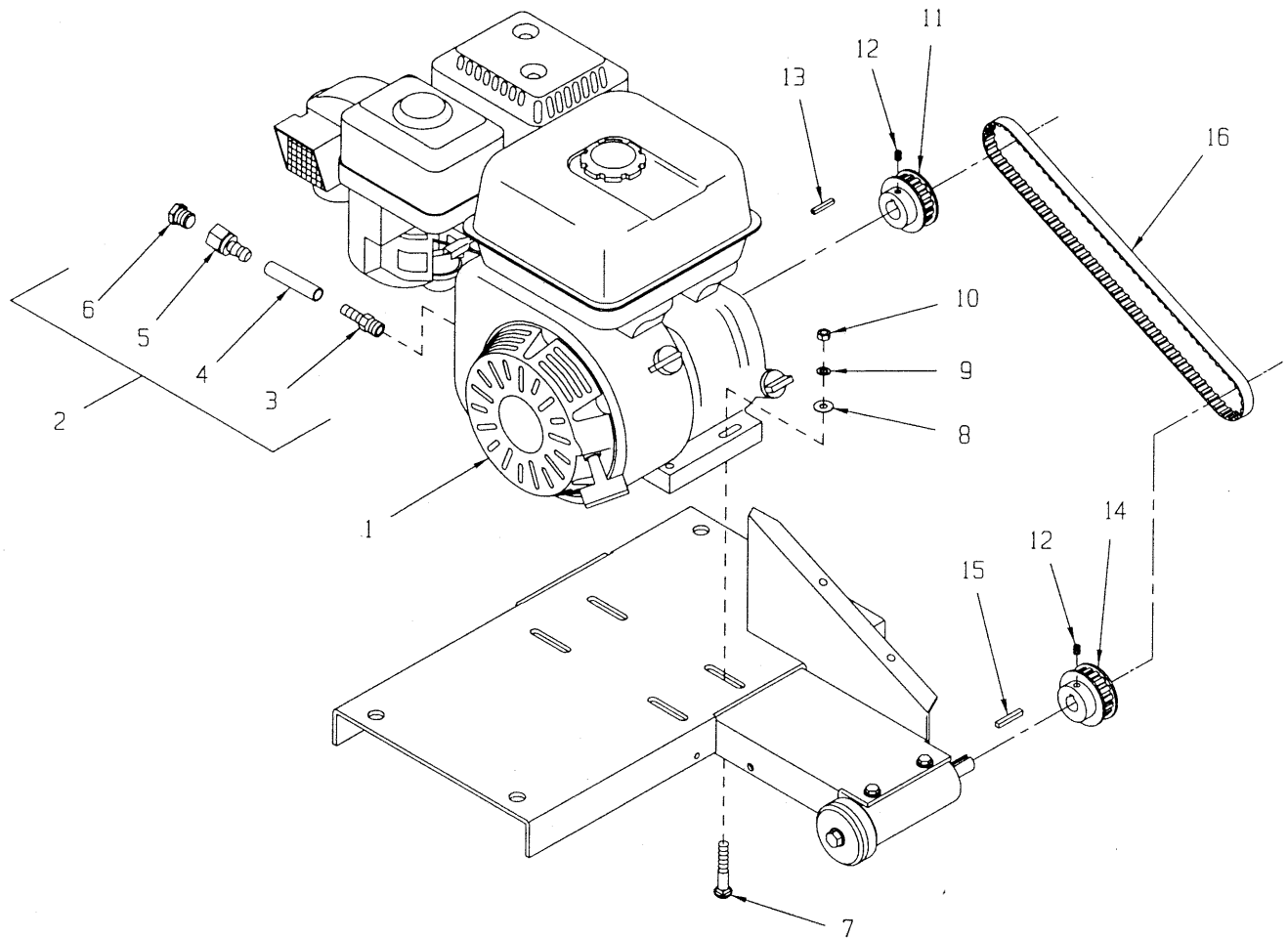
ITEM #	PART #	DESCRIPTION	QTY.
1	42114	ARBOR ASSEMBLY COMPLETE (INCLUDES ITEMS 2 THRU 9)	
2	42115	ARBOR SHAFT 6-3/4"L	1
3	42116	ARBOR HOUSING	1
4	42119	BEARING, RADIAL BALL 17mm X 40mm X .563"	2
5	40036	KEY, WOODRUFF 1/8 X 3/8	1
6	42117	ARBOR BACKING PLATE	1
7	42118	ARBOR BLADE RETAINING CAP	1
8	10453	WASHER, LOCK, INT. TOOTH 3/8"	1
9	10021	SCREW, CAP 3/8-24 X 1	1

ILLUSTRATION 3: ROLLING TABLE GROUPING



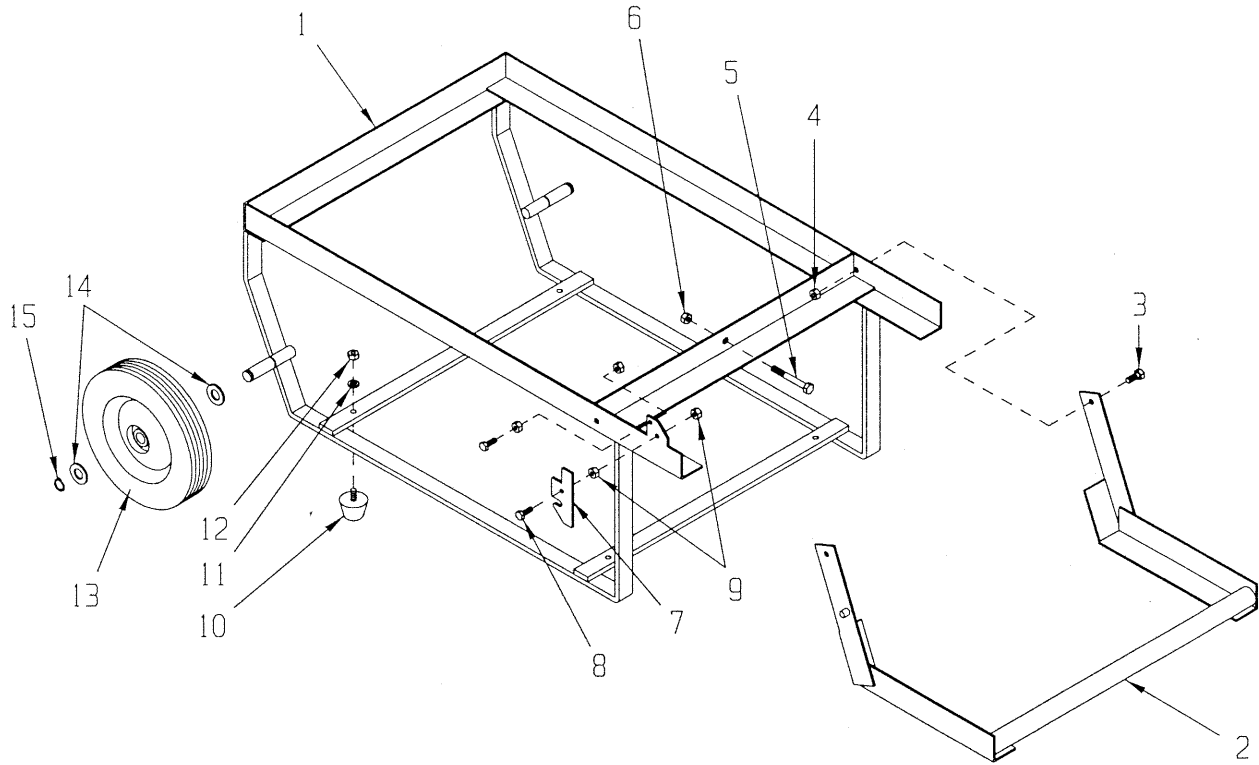
ITEM #	PART #	DESCRIPTION	QTY.
1	42220	TABLE COMPLETE, ROLLING (INCLUDES ITEMS 2 THRU 19)	
2	42171	TABLE ONLY, ROLLING	1
3	42222	RUBBER PAD 12-1/4 x 7-1/2 x 1/4	1
4	42221	RUBBER PAD 12-1/4 x 8 x 1/4	1
5	42172	TABLE FRONT PANEL, ROLLING	1
6	11571	RIVET, BLIND 1/8 x .640"L x .250"HD. DIA.	4
7	42136	RULE, ADHESIVE-BACKED, 1 THRU 8, L TO R	1
8	42137	RULE, ADHESIVE-BACKED, 1 THRU 7, R TO L	1
9	42106	LATCH, ROLLING TABLE	1
10	10602	WASHER, FLAT 1/4	5
11	10031	SCREW, CAP 1/4-20 x 1	1
12	10013	NUT 1/4-20	1
13	10015	NUT, LOCK 1/4-20	1
14	10834	SCREW, CAP 1/4-20 X 1/2	3
15	10861	NUT, KEPS 1/4-20	3
16	14082	TRACK WHEEL 1-1/4"DIA. x 1/2"BORE	6
17	10031	SCREW, CAP 1/4-20 x 1	6
18	10602	WASHER, FLAT 1/4	8
19	10861	NUT, KEPS 1/4-20	6
20	42205	GUIDE ASSEMBLY, STRAIGHT CUT (INCLUDES ITEMS 21 AND 22)	1
21	42206	GUIDE ONLY, STRAIGHT CUT	1
22	40425	KNOB, 3-PRONG W/ 3/8-16 x 5/8" STUD	1
23	42149	ACCESSORY PACKAGE, OPTIONAL (INCLUDES ITEMS 24, 25, AND 26)	
24	42150	GUIDE ASSEMBLY, ADJUSTABLE PROTRACTOR	1
25	42153	GUIDE ASSEMBLY, DUAL 45 DEG. ANGLE	1
26	42155	GUIDE ASSEMBLY, 45 DEG. MITER	1

ILLUSTRATION 4: ENGINE GROUPING



ITEM #	PART #	DESCRIPTION	QTY.
1	15044	ENGINE, HONDA 4 HP GX120	1
2	40327	OIL DRAIN KIT (INCLUDES ITEMS 3 THRU 6)	1
3	11541	BARB, PUSH-ON 3/8 HOSE x 10mm x 1.25 MALE	1
4	56116	HOSE, PUSH-ON 3/8"ID X 3"L	1
5	11544	BARB, PUSH-ON 3/8 HOSE x 1/4 FPT	1
6	10766	PIPE PLUG 1/4 NPT	1
7	10817	BOLT, CARRIAGE 5/16-18 x 1-1/2	4
8	10213	WASHER, FLAT 5/16	4
9	10801	WASHER, LOCK 5/16	4
10	10054	NUT 5/16-18	4
11	42209	PULLEY, TIMING 17L050 x 3/4" BORE	1
12	10139	SCREW, SET 1/4-20 x 5/16 (INCLUDED W/ PULLEY)	2
13	----	KEY 3/16"SQ. (INCLUDED W/ ENGINE)	1
14	42121	PULLEY, TIMING 17L050 x 5/8"BORE	1
15	10060	KEY 3/16"SQ. x 1-1/4	1
16	42210	BELT, TIMING 322L050	1

ILLUSTRATION 5: OPTIONAL CART ASSEMBLY PART # 24650



ITEM #	PART #	DESCRIPTION	QTY.
1	24651	CART ONLY	1
2	24652	HANDLE, CART	1
3	10053	SCREW, CAP 5/16-18 x 3/4	2
4	10807	NUT, LOCK 5/16-18	2
5	10010	SCREW, CAP 5/16-18 x 2-1/2	1
6	10054	NUT 5/16-18	2
7	24653	LATCH, CART HANDLE	1
8	10018	SCREW, CAP 1/4-20 x 3/4	2
9	10013	NUT 1/4-20	4
10	10931	FOOT, RUBBER, W/ STUD 5/16-24 x 5/8	4
11	10801	WASHER, LOCK 5/16	4
12	10424	NUT 5/16-24	4
13	24654	WHEEL 8 x 1-3/4 x 5/8" BORE	2
14	10073	WASHER, FLAT 5/8	4
15	11575	RETAINING RING, EXT. 5/8"	2