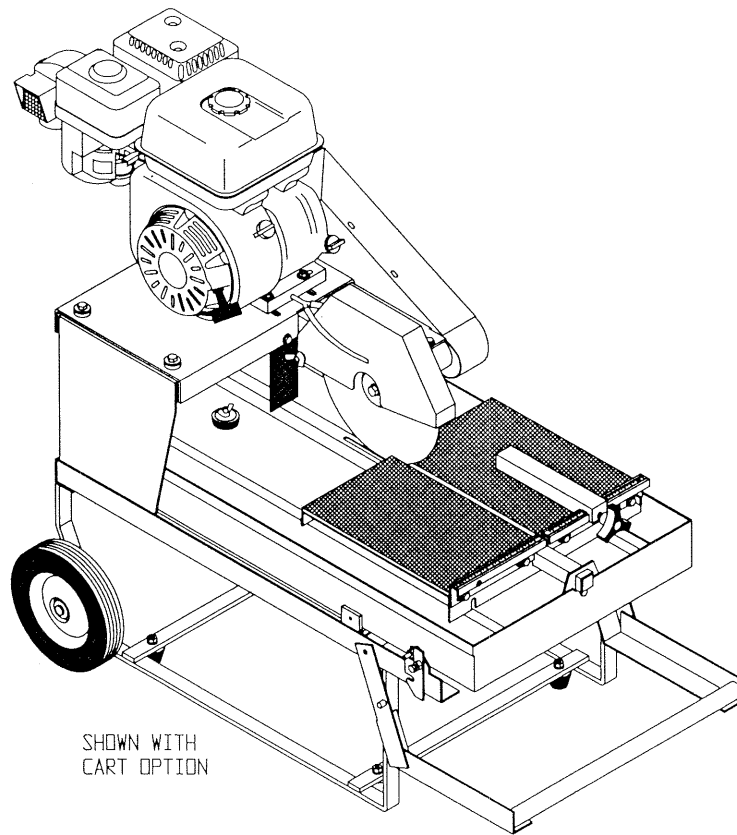


REVISED MARCH 1999  
STARTING SERIAL #5200

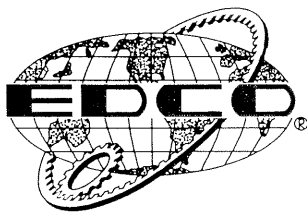
# GASOLINE POWERED 10" MASONRY SAW

## PARTS LIST MANUAL



SHOWN WITH  
CART OPTION

### Model GMS-10



**EQUIPMENT DEVELOPMENT COMPANY, INC.**  
100 THOMAS JOHNSON DRIVE, FREDERICK, MARYLAND 21702-4600 USA  
Phone (301) 663-1600 Toll Free 1-800-638-3326 • Fax (301) 663-1607 Fax Free 1-800-447-3326  
Website: [www.edcoinc.com](http://www.edcoinc.com) • E-mail: [sales@edcoinc.com](mailto:sales@edcoinc.com)

<p>READ AND UNDERSTAND THE OPERATORS INSTRUCTION MANUAL THOROUGHLY BEFORE ATTEMPTING TO OPERATE THIS EQUIPMENT.</p> <p>Death or serious injury could occur if the machine is used improperly.</p>	<p><b>GASOLINE POWERED EQUIPMENT</b></p> <p><b>DANGER</b></p> <p>Do not operate gasoline powered equipment without adequate ventilation. Carbon monoxide is an invisible, odorless gas that can kill.</p> <p><b>ELECTRIC POWERED EQUIPMENT</b></p> <p><b>DANGER</b></p> <p><b>ELECTRICAL HAZARD</b> - Be sure equipment is properly grounded. Failure to comply could kill or result in serious injury.</p>
<p><b>WARNING</b></p>	
<p>The engine exhaust from this product contains chemicals known to the State of California to cause cancer, birth defects or other reproductive harm.</p>	

**WARNING****GENERAL SAFETY PRECAUTIONS****CAUTION**

1. You must read and understand the operators instruction manual and all other manuals associated with this machine. For your safety and the safety of others around you, it is extremely important to fully understand how to operate this machine in the way it was intended. Different model machines or older/newer versions of the same model may have different parts and controls that you need to understand. If instructions are not readable or available DO NOT USE this machine and contact the factory for a replacement Manual.
2. You must be able to physically handle the bulk weight and power of this machine. If not properly controlled this machine can cause death or serious injury.
3. Do not operate this machine in an impaired mental state. You must be able to exercise good judgement and reactions to maintain a safe working environment.
4. This is a "one person" machine which means only one operator can be operating the machine at any one time. For the safety of others, maintain a safe operating distance to other personnel. Your work area should be defined and appropriately marked so bystanders and coworkers do not stand or walk near this machine and end up seriously injured by flying debris or exposing them to harmful noise or dust.
5. This equipment is for Commercial use. Although this is a "one person" machine your work team should understand how to shut this machine off and quickly get medical help if an accident strikes the operator.
6. Keep all guards in place during operation. The guards are to provide protection from inadvertent contact with dangerous moving parts, pinch points, or hot surfaces.
7. Wear appropriate Personal Protective Equipment (PPE) including safety glasses, safety boots, work gloves, respiratory protection, hearing protection, and head protection. Do not wear loose clothing that can get tangled in moving parts. Failure to do so could result in dismemberment or death. **Wear an approved respirator when removing hazardous materials or when grinding/cutting dry materials. Some dust particles such as concrete dust can contain silicate particles which can cause silicosis (a very serious lung disease). Contact NIOSH or OSHA for further details. When wet grinding/cutting, avoid contact with the concrete/asphalt slurry which can cause serious skin irritations.**
8. You must maintain this machine per the maintenance schedule in the operator manual. Remember before adjusting, servicing, or fueling this machine, disconnect the source of power to the machine by disconnecting the spark plug (Gas models), or by unplugging the electrical power cord (electric models) or air hose (Pneumatic models) AT THE MACHINE so you can assure yourself it remains unplugged while you are working on it. Do not modify this machine. Use only genuine EDCO parts and accessories. Repairs and service should be performed by approved EDCO dealers or authorized technicians.
9. You should look carefully around the area before you begin work so you can identify potential hazards such as deck inserts, pipes, columns, openings, electrical cords or outlets, or any other objects protruding from the slab surface.
10. This machine has no brain so you must use your own. There is no substitute for safety. The safety decals on the machine are to serve as a reminder for information you must already know before you begin using this machine. Take a moment to reread the safety decals each time you use the machine. If your machine is missing any decals, contact the factory for a replacement (EDCO 1-800-638-3326).

# EDCO MODEL GMS-10

## GASOLINE POWERED 10" MASONRY SAW

### TABLE OF CONTENTS

	<u>PAGE</u>
GENERAL SAFETY PRECAUTIONS.....	1
HOW TO ORDER REPAIR PARTS.....	2
ILLUSTRATION 1: MAIN ASSEMBLY GROUPING.....	3
PART LISTING – ILLUSTRATION 1: MAIN ASSEMBLY GROUPING.....	4
ILLUSTRATION 2: ARBOR ASSEMBLY GROUPING.....	5
ILLUSTRATION 3: ROLLING TABLE GROUPING.....	6
ILLUSTRATION 4: ENGINE GROUPING.....	7
ILLUSTRATION 5: WATER PUMP KIT OPTION.....	8
ILLUSTRATION 6: CART ASSEMBLY OPTION.....	9
ILLUSTRATION 7: PORTABLE FOLDING STAND OPTION.....	10
LIMITED EQUIPMENT WARRANTY (BACK COVER PAGE).....	11

**PLEASE FILL IN INFORMATION AND SAVE**

Date of Purchase \_\_\_\_\_

Type of Machine \_\_\_\_\_

Model # \_\_\_\_\_

Serial # \_\_\_\_\_

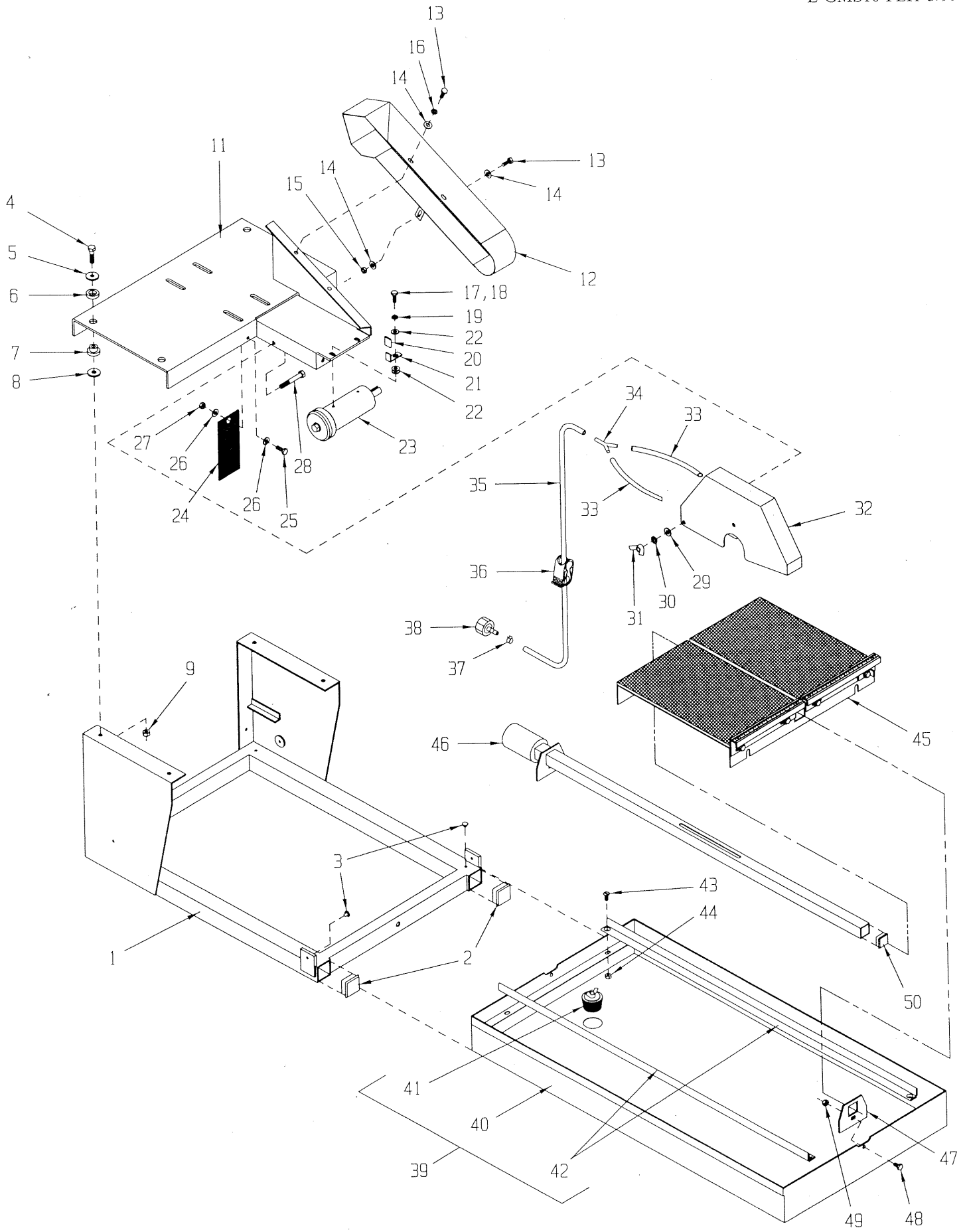
Belt Size(s) \_\_\_\_\_

**HOW TO ORDER REPAIR PARTS**

- To insure product safety and reliability, always use genuine EDCO replacement parts when making repairs to the equipment.
- When ordering parts, please specify the MODEL and SERIAL NUMBER of the machine as given on the NAME PLATE. In addition, give part number, description and quantity as listed on the parts list.
- Please note: Due to improvements and changes in the equipment, the illustrations shown may be different than the actual machine.

# ILLUSTRATION 1: MAIN ASSEMBLY GROUPING

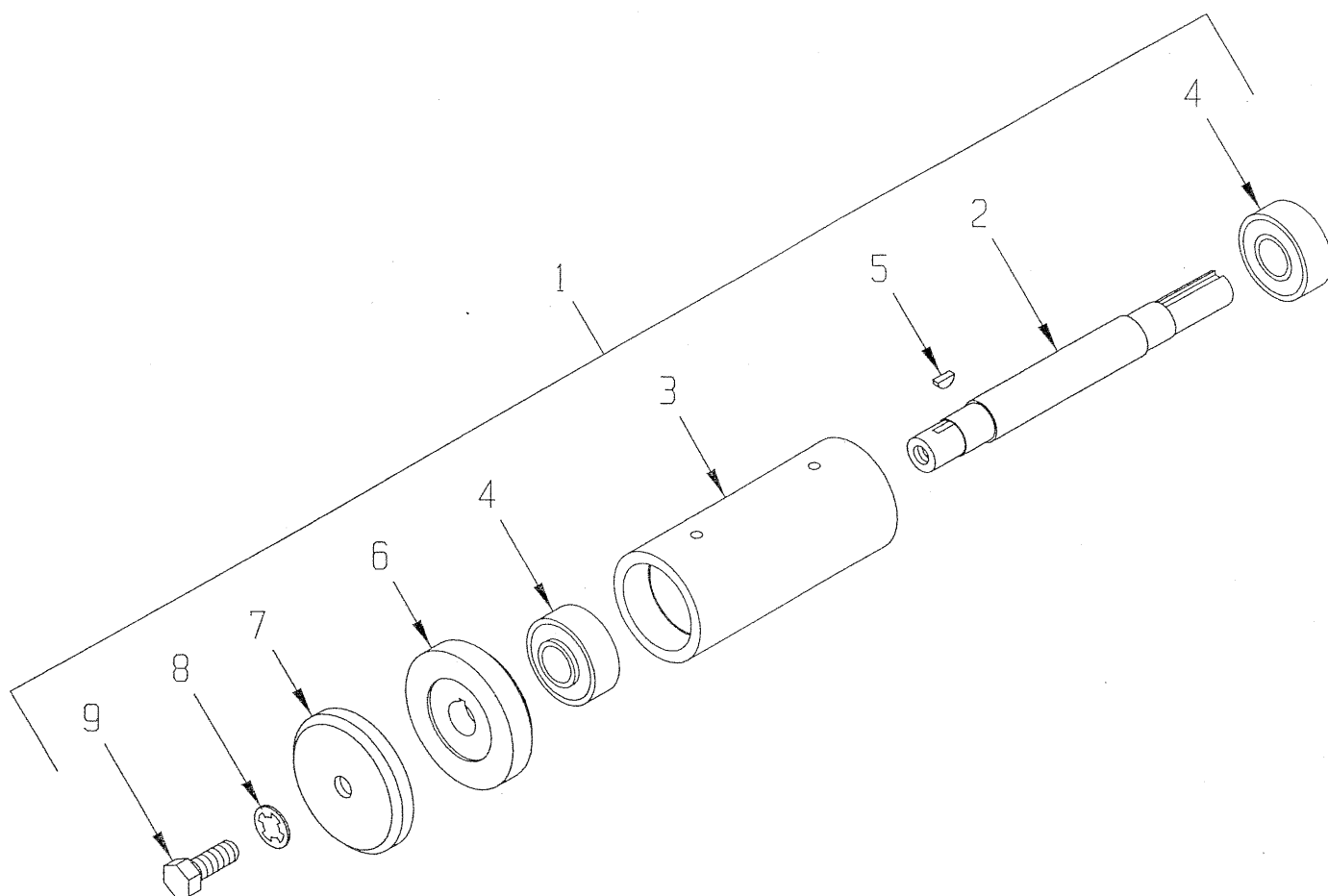
E-GMS10-PLI1-3/99



PARTS LISTING - ILLUSTRATION 1: MAIN ASSEMBLY GROUPING			
ITEM #	PART #	DESCRIPTION	QTY.
1	42201	MAIN FRAME	1
2	42148	PLUG, SQ. TUBE 1-1/2 X 14 GA., BLACK	2
3	42127	RIVET, NYLON PUSH-IN PANEL	10
4	10606	SCREW, CAP 5/16-18 X 1-1/4	4
5	42203	WASHER, RUBBER BUSHING	4
6	79035	BUSHING, RUBBER 1-1/4"OD X 5/8"ID X 1/4"THK	4
7	10225	BUSHING, GMS ENGINE MOUNT	4
8	42224	BUSHING, RUBBER 1"OD X 3/8"ID X 1/8"THK	AS REQ'D.
9	10807	NUT, LOCK 5/16-18	4
10	----	NO PART	-
11	42218	DECK, ENGINE & ARBOR	1
12	42217	COVER, BELT	1
13	10018	SCREW, CAP 1/4-20 X 3/4	3
14	10602	WASHER, FLAT 1/4	4
15	10861	NUT, KEPS 1/4-20	1
16	10038	WASHER, LOCK 1/4	2
17	10018	SCREW, CAP 1/4-20 X 3/4	1
18	10834	SCREW, CAP 1/4-20 X 1/2	3
19	10038	WASHER, LOCK 1/4	4
20	42144	COVER, VIBRATION	1
21	42128	BRACKET, BLADE GUARD RETAINER	1
22	10602	WASHER, FLAT 1/4	4
23	42114	ARBOR ASSEMBLY COMPLETE (REFER TO ILLUS. 2 FOR BREAKDOWN)	1
24	42161	FLAP, SPLASH 2-1/2 X 5-1/4	1
25	10018	SCREW, CAP 1/4-20 X 3/4	1
26	10602	WASHER, FLAT 1/4	2
27	10861	NUT, KEPS 1/4-20	1
28	10341	SCREW, CAP 5/16-18 X 2-1/4	1
29	10213	WASHER, FLAT 5/16	1
30	10801	WASHER, LOCK 5/16	1
31	10902	NUT, WING 5/16-18	1
32	42113	GUARD, BLADE 10"	1
33	42141	HOSE 1/4"ID X 8"L	2
34	99323	BARBED FITTING, "Y" 1/4"HOSE (PLASTIC)	1
*35	42208	HOSE 1/4"ID X 30"L	1
36	42131	CLAMP, TUBE, FLOW CONTROL 3/4"	1
*37	10762	CLAMP, HOSE SPRING-TYPE 3/8" (GREEN)	1
*38	11570	INSERT, SWIVEL FEMALE 1/4"HOSE X 3/4"GHT	1
39	42204A	PAN ASSEMBLY W/ RAILS & STOPPER (INCLUDES ITEMS 40 THRU 44)	
40	42204	PAN	1
41	40378	STOPPER ASSEMBLY 1-1/2"	1
42	42102B	TRACK RAIL	2
43	11540	SCREW, FLAT HEAD SLOTTED 1/4-20 X 5/8	4
44	10861	NUT, KEPS 1/4-20	4
45	42220	TABLE COMPLETE, ROLLING (REFER TO ILLUS. 3 FOR BREAKDOWN)	1
46	42228	VACUUM PORT TUBE	1
47	42229	MOUNTING BRACKET, VACUUM PORT TUBE	1
48	10834	SCREW, CAP 1/4-20 X 1/2	2
49	10861	NUT, KEPS 1/4-20	2
50	51078	PLUG, SQ. TUBE 1 X 14 GA., BLACK	1

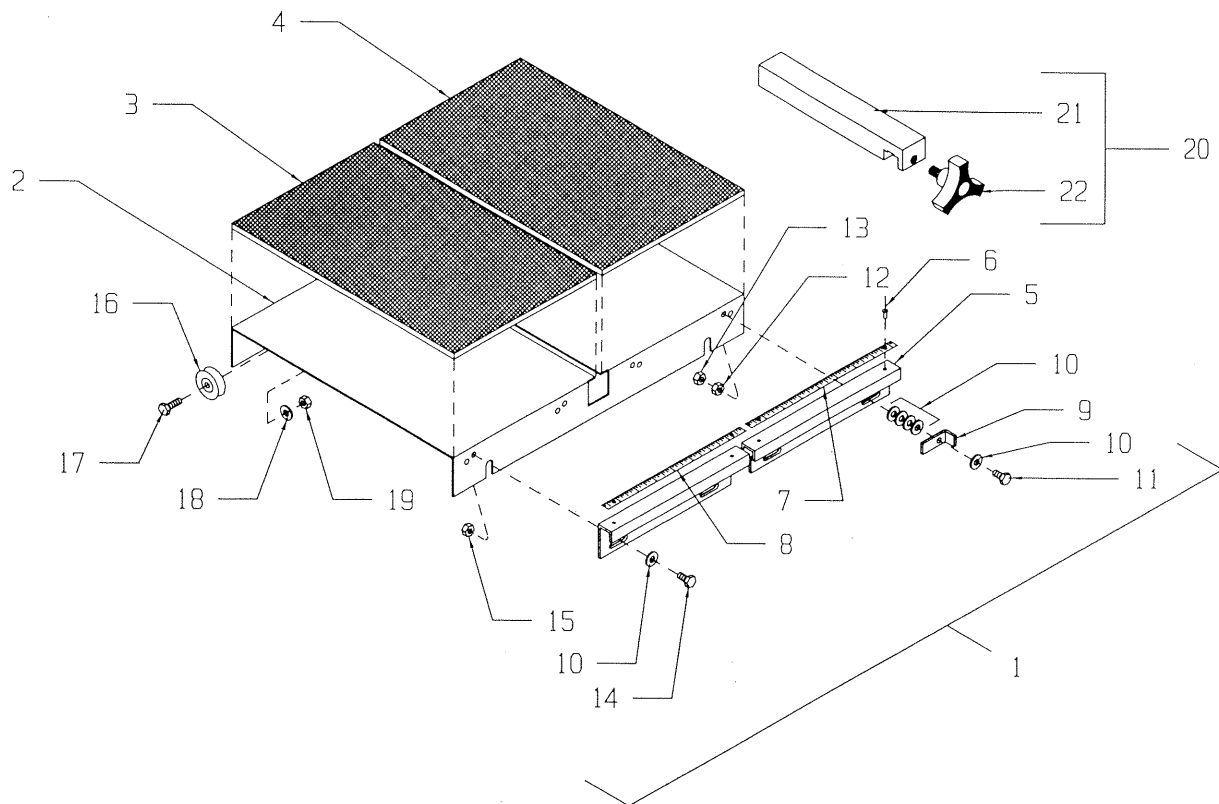
\*NOTE: USED ON UNITS WITH OUT THE WATER PUMP OPTION.  
FOR UNITS WITH WATER PUMP – SEE ILLUSTRATION #5

## ILLUSTRATION 2: ARBOR ASSEMBLY GROUPING



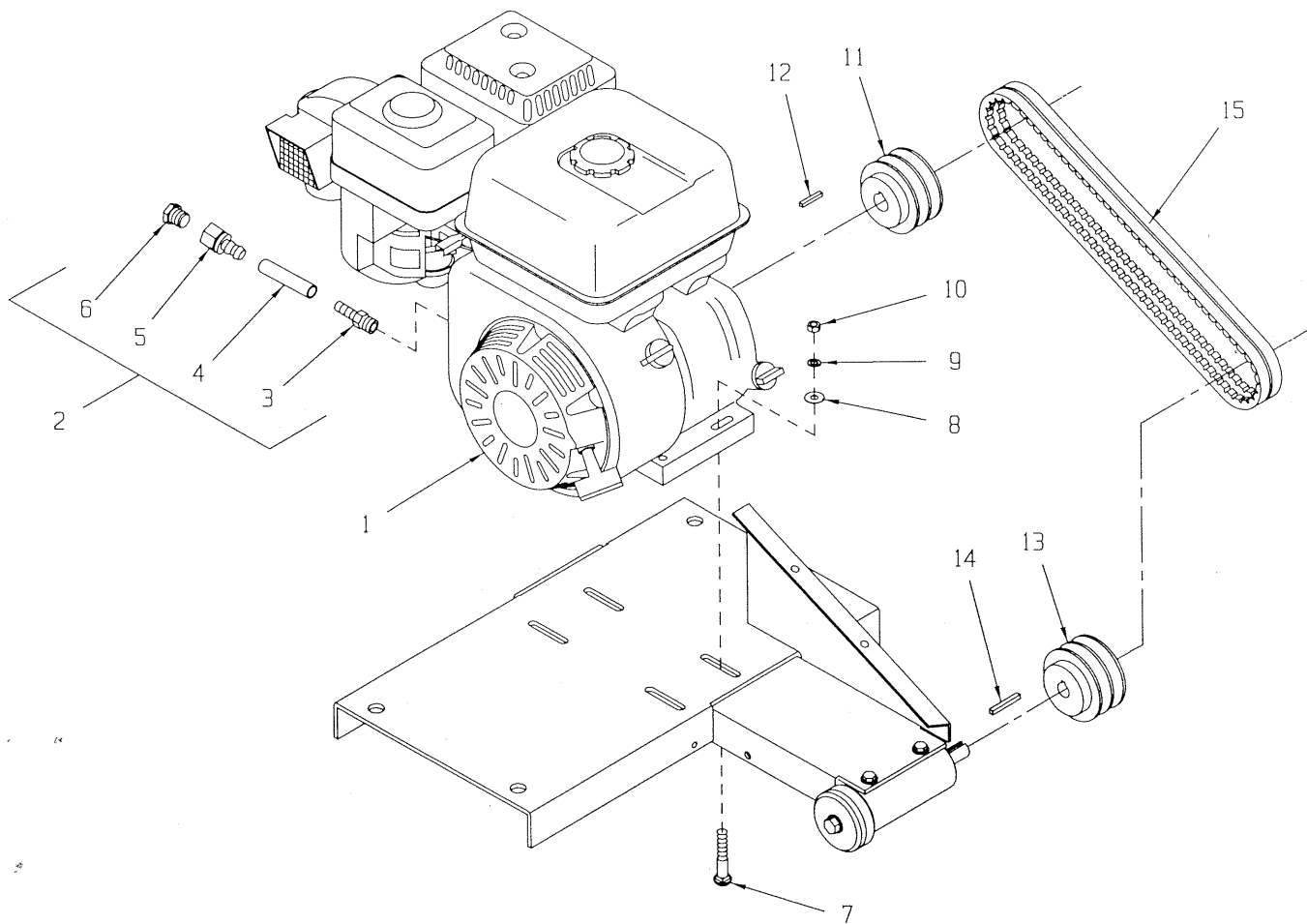
ITEM #	PART #	DESCRIPTION	QTY.
1	42114	ARBOR ASSEMBLY COMPLETE (INCLUDES ITEMS 2 THRU 9)	
2	42115	ARBOR SHAFT 6-3/4"L	1
3	42116	ARBOR, HOUSING	1
4	42119	BEARING, RADIAL BALL 17mm X 40mm X .563"	2
5	40036	KEY, WOODRUFF 1/8 X 3/8 (#403)	1
6	42117	ARBOR, BACKING PLATE	1
7	42118	ARBOR, BLADE RETAINING CAP	1
8	10453	WASHER, LOCK, INT. TOOTH 3/8"	1
9	10021	SCREW, CAP 3/8-24 X 1	1

### ILLUSTRATION 3: ROLLING TABLE GROUPING



ITEM #	PART #	DESCRIPTION	QTY.
1	42220	TABLE COMPLETE, ROLLING (INCLUDES ITEMS 2 THRU 19)	
2	42226	TABLE ONLY, ROLLING	1
3	42222	RUBBER PAD 12-1/4 x 7-1/2 x 1/4	1
4	42221	RUBBER PAD 12-1/4 x 8 x 1/4	1
5	42227	TABLE FRONT PANEL (2-PIECES)	1
6	11571	RIVET, BLIND 1/8 x .640"L x .250"HD. DIA.	4
7	42136	RULE, ADHESIVE-BACKED, 1 THRU 8, L TO R	1
8	42137	RULE, ADHESIVE-BACKED, 1 THRU 7, R TO L	1
9	42106	LATCH, ROLLING TABLE	1
10	10602	WASHER, FLAT 1/4	8
11	10031	SCREW, CAP 1/4-20 x 1	1
12	10013	NUT 1/4-20	1
13	10015	NUT, LOCK 1/4-20	1
14	10834	SCREW, CAP 1/4-20 X 1/2	3
15	10861	NUT, KEPS 1/4-20	3
16	14082	TRACK WHEEL 1-1/4"DIA. x 1/4"BORE	6
17	10031	SCREW, CAP 1/4-20 x 1	6
18	10602	WASHER, FLAT 1/4	4
19	10861	NUT, KEPS 1/4-20	4
20	42205	GUIDE ASSEMBLY, STRAIGHT CUT (INCLUDES ITEMS 21 AND 22)	1
21	42206	GUIDE ONLY, STRAIGHT CUT	1
22	40425	KNOB, 3-PRONG W/ 3/8-16 x 5/8" STUD	1

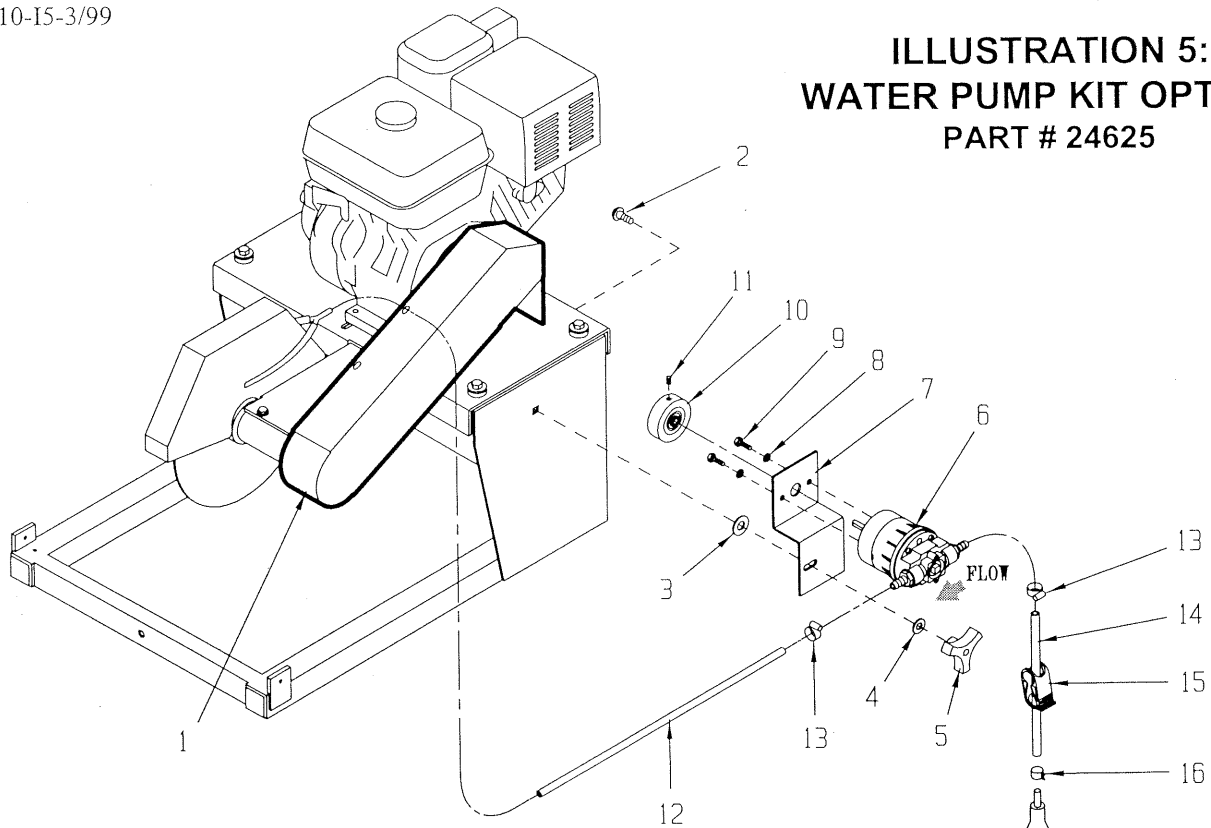
## ILLUSTRATION 4: ENGINE GROUPING



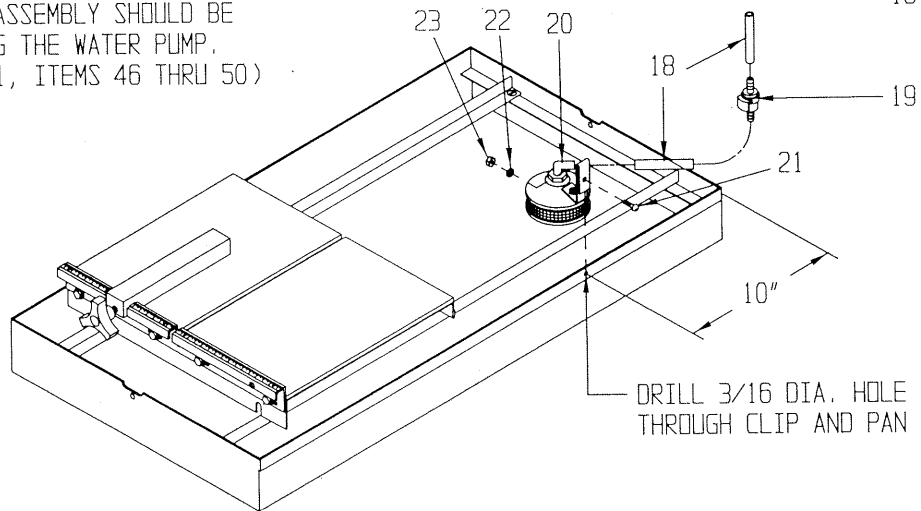
ITEM #	PART #	DESCRIPTION	QTY.
1	15044	ENGINE, HONDA 4 HP GX120	1
2	40327	OIL DRAIN KIT (INCLUDES ITEMS 3 THRU 6)	1
3	11541	BARB, PUSH-ON 3/8 HOSE x 10mm x 1.25 MALE	1
4	56116	HOSE, PUSH-ON 3/8"ID X 3"L	1
5	11544	BARB, PUSH-ON 3/8 HOSE x 1/4 FPT	1
6	10776	PIPE PLUG 1/4 NPT (BRASS)	1
7	10817	BOLT, CARRIAGE 5/16-18 x 1-1/2 FULL THD	4
8	10213	WASHER, FLAT 5/16	4
9	10801	WASHER, LOCK 5/16	4
10	10054	NUT 5/16-18	4
11	40005	SHEAVE 3"OD x 2Gr.A x 3/4"BORE	1
12	----	KEY 3/16"SQ. (INCLUDED W/ ENGINE)	1
13	42219	SHEAVE 3"OD x 2Gr.A x 5/8"BORE	1
14	10016	KEY 3/16"SQ. x 1-1/2	1
15	81007	BELT AX-33	2



### ILLUSTRATION 5: WATER PUMP KIT OPTION PART # 24625

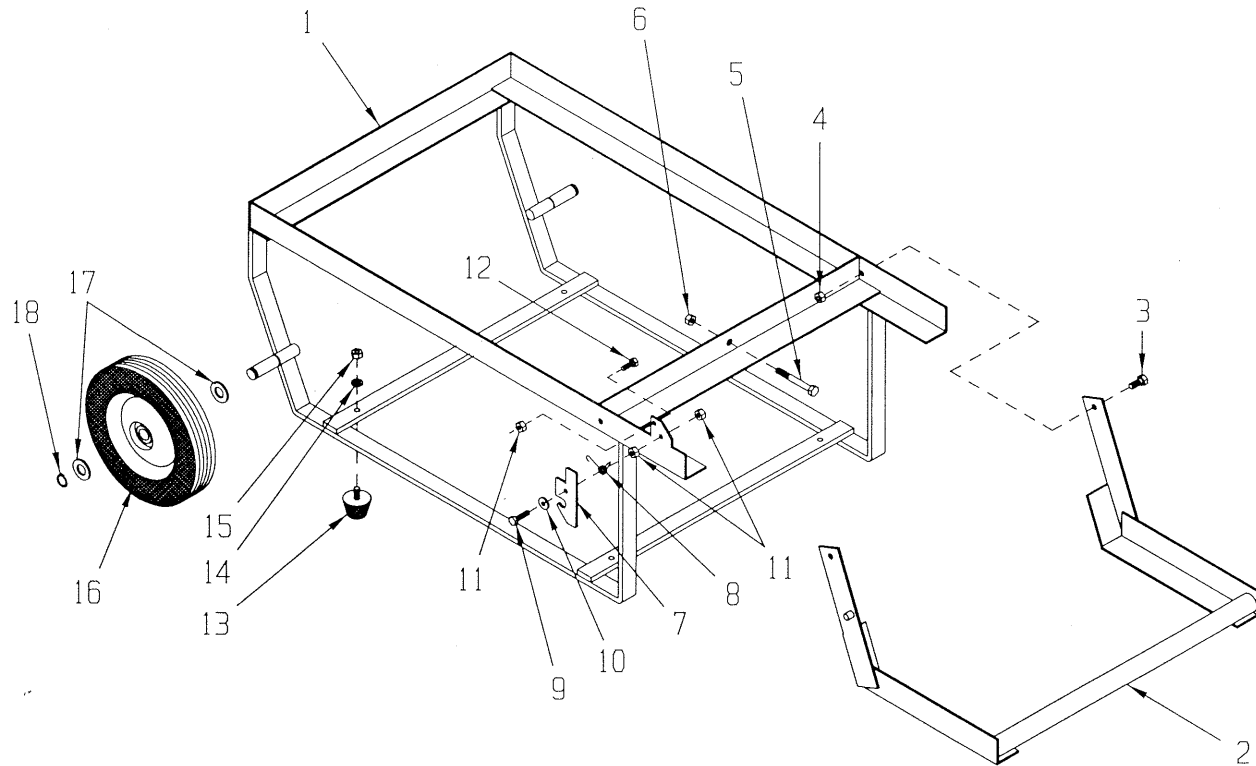


NOTE:  
VACUUM PORT TUBE ASSEMBLY SHOULD BE  
REMOVED WHEN USING THE WATER PUMP.  
(REFER TO ILLUS. 1, ITEMS 46 THRU 50)



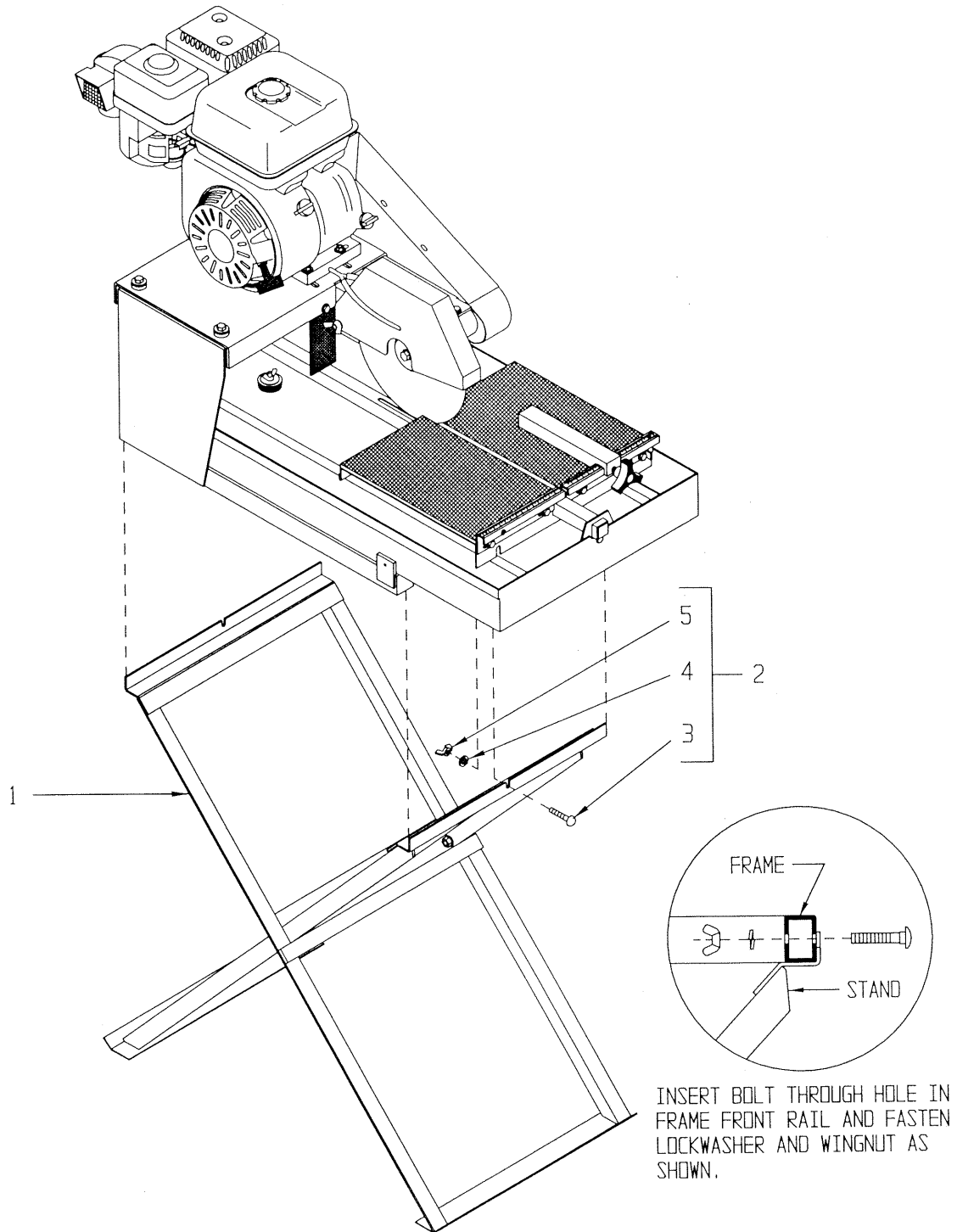
ITEM #	PART #	DESCRIPTION	QTY.	ITEM #	PART #	DESCRIPTION	QTY.
1	42223	COVER, BELT, WATER PUMP OPT.	1	13	10714	CLAMP, HOSE, SIZE M4, ADJ. TO 5/8	2
2	10802	BOLT, CARRIAGE 3/8-16 x 1	1	14	42232	HOSE 5/16"ID x 8"L	1
3	10312	WASHER, FLAT 1/2	1	15	42131	CLAMP, TUBE, FLOW CONTROL 3/4"	1
4	10025	WASHER, FLAT 3/8	1	16	10763	CLAMP, HOSE SPRING TYPE 7/16"	2
5	80011	KNOB, 3-PRONG W/ 3/8-16 THD.	1	17	40049	BULB, PRIMER 5/16"	1
6	42230	PUMP ASSEMBLY, WATER	1	18	42233	HOSE 5/16"ID X 3"L	2
7	42211	BRACKET, WATER PUMP	1	19	42234	COUPLING, QUICK-DISCONNECT 3/8"	1
8	10038	WASHER, LOCK 1/4	2	20	42235	FILTER ASSEMBLY, WATER	1
9	10018	SCREW, CAP 1/4-20 x 3/4	2	21	10833	SCREW, MACHINE 10-32 x 3/4	1
10	42212	WHEEL, WATER PUMP, 2.5"DIA.	1	22	10831	WASHER, LOCK, INT. TOOTH #10	1
11	10161	SCREW, SET 1/4-28 x 5/16	1	23	10832	NUT 10-32	1
12	42143	HOSE 1/4"ID x 18"L	1				

## ILLUSTRATION 6: CART ASSEMBLY OPTION PART # 24650



ITEM #	PART #	DESCRIPTION	QTY.
1	24651	CART ONLY	1
2	24652	HANDLE, CART	1
3	10053	SCREW, CAP 5/16-18 x 3/4	2
4	10807	NUT, LOCK 5/16-18	2
5	10010	SCREW, CAP 5/16-18 x 2-1/2	1
6	10054	NUT 5/16-18	2
7	24653	LATCH, CART HANDLE	1
8	42225	SPRING, TORSION	1
9	10031	SCREW, CAP 1/4-20 x 1	1
10	10602	WASHER, FLAT 1/4	1
11	10013	NUT 1/4-20	3
12	10018	SCREW, CAP 1/4-20 x 3/4	1
13	10931	FOOT, RUBBER, W/ STUD 5/16-24 x 5/8	4
14	10801	WASHER, LOCK 5/16	4
15	10424	NUT 5/16-24	4
16	24654	WHEEL 8 x 1-3/4 x 5/8" BRG.	2
17	10073	WASHER, FLAT 5/8	4
18	11575	RETAINING RING, EXT. 5/8"	2

## ILLUSTRATION 7: PORTABLE FOLDING STAND OPTION



ITEM #	PART #	DESCRIPTION	QTY.
1	24150	STAND, PORTABLE FOLDING	1
2	42240	SAFETY BOLT KIT (INCLUDES ITEMS 3 THROUGH 5)	1
3	10918	BOLT, CARRIAGE 5/16-18 x 1-3/4	1
4	10801	WASHER, LOCK 5/16	1
5	10902	NUT, WING 5/16-18	1

# LIMITED EQUIPMENT WARRANTY

Equipment Development Company, Inc. herein referred to as EDCO warrants that each new unit manufactured by EDCO to be free from defects in material and workmanship in normal use and service for a period of (1) one year (except in the case of the cutter drum assembly on all model concrete asphalt planes, in which case the warranty period shall be 90 days) from date of shipment to the original retail or equipment rental center owner.

EDCO will, at its option, repair or replace, at the EDCO factory or at a point designated by EDCO any part, which shall appear to the satisfaction of EDCO inspection to have been defective in material or workmanship.

This warranty, does not apply to failure occurring as a result of abuse, misuse, negligent repairs, corrosion, erosion, normal wear and tear, alterations or modifications made to the product without express written consent of EDCO; or failure to follow the recommended operating practices and maintenance procedures as provided in the products operating and maintenance manuals.

This warranty does not obligate EDCO to bear any transportation charges in connection with the replacement or repair of defective parts. This warranty does not obligate EDCO to bear any expense for travel time or of personnel in connection with any service calls.

Accessories or equipment furnished and installed on the product by EDCO but manufactured by others, including but not limited to engines, motors, electrical equipment, transmissions, etc., shall carry the accessory manufacturers' own warranty.

**THIS WARRANTY IS IN LIEU OF ALL OTHER WARRANTIES, EXPRESSED OR IMPLIED, OR STATUTORY, INCLUDING ANY WARRANTIES OF MERCHANTABILITY OR OF FITNESS FOR A PARTICULAR PURPOSE.**

## LIABILITY LIMITATIONS

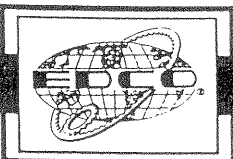
The remedies of the user set forth under provisions of warranty outlined above are the exclusive and total liability of EDCO with the respect to their sale or the equipment and service furnished hereunder, in connection with the performance or breach thereof, or from the sale, delivery, installation, repair or technical direction covered by or furnished under the sale, whether based on contract, warranty, negligence, indemnity, strict liability, or otherwise shall not exceed the purchase price of the unit of equipment upon which such liability is based.

EDCO will not in any event be liable to the user, any successors in interest or any beneficiary or assignee relating to this sale for any consequential, incidental, indirect, special or punitive damages arising out of this sale or any breach thereof, or any defects on, or failure of, or malfunction of the equipment under this sale based upon loss of use, lost profits or revenue, interest, lost goodwill, work stoppage, impairment of other goods, loss by reason of shutdown or non-operation, increase expenses of operation of the equipment, cost of purchase or replacement power of claims of users or customers of the user for service interruption whether or not such loss or damage is based on contract, warranty, negligence, indemnity, strict liability, or otherwise.

EDCO reserves the right to modify, alter and improve any part or parts without incurring any obligation to replace any part or parts previously sold without such modified, altered or improved part or parts.

No person is authorized to give any other warranty or to assume any additional obligation on EDCO's behalf unless made in writing and signed by an officer of EDCO.

Equipment Development Company, Inc.

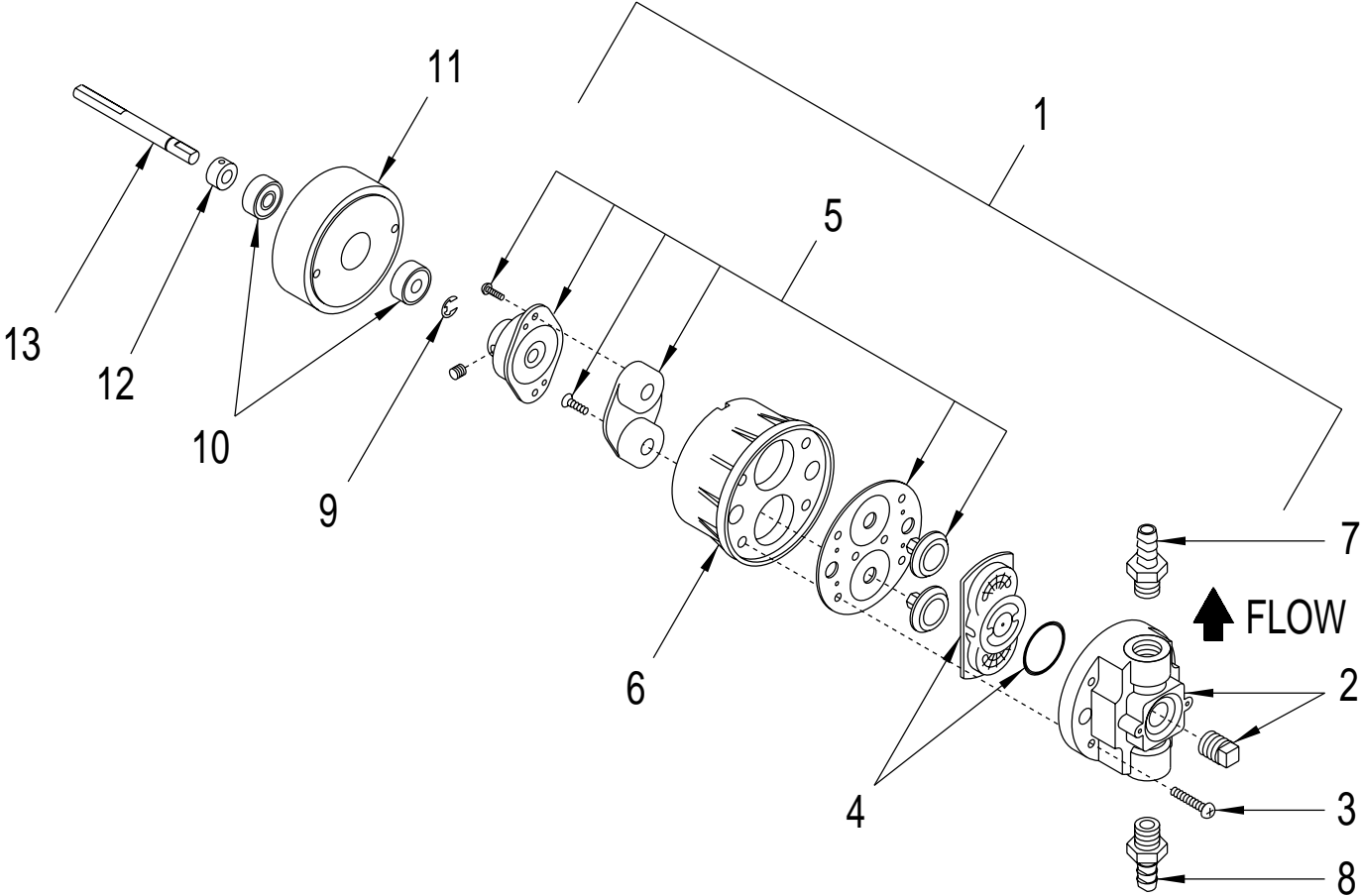


**EQUIPMENT DEVELOPMENT COMPANY, INC.**

100 THOMAS JOHNSON DRIVE, FREDERICK, MD 21702-4600 USA  
 Phone (301) 663-1600 Toll Free 1-800-638-3326 • Fax (301)663-1607 Fax Free 1-800-447-3326  
 Website: [www.edcoinc.com](http://www.edcoinc.com) • E-mail: [sales@edcoinc.com](mailto:sales@edcoinc.com)

©1999

**WATER PUMP ASSEMBLY**  
**PART # 42230**  
**FOR MODELS GMS-14A & GMS-10**



ITEM #	PART #	DESCRIPTION	QTY.
1	56101-S1	PUMP HEAD REPLACEMENT, DUPLEX 21050-653A (INCLUDES ITEMS 2 THRU 6)	1
2	56101-S2	HOUSING BODY 20500-507	1
3	56101-S3	SCREWS 20131-001 (SET OF 6)	1-SET
4	56101-S4	CHECK VALVE KIT 20028-008	1
5	56101-S5	DIAPHRAGM KIT W/ BEARING 21004-401	1
6	56101-S6	HOUSING BEARING COVER 20428-100	1
7	40337	BARB, 1/4 HOSE x 3/8 MPT (PLASTIC)	1
8	40319	BARB, 5/16 HOSE x 3/8 MPT (PLASTIC)	1
9	10137	RETAINING RING, E-CLIP 5/16	1
10	40391	BEARING, RADIAL BALL 5/16 x 7/8 x 9/32	2
11	40393-S1	HUB	1
12	10415	COLLAR, LOCKING 5/16" I.D.	1
13	40393-S2	SHAFT 5/16 x 3-3/4	1

100 Thomas Johnson Drive, Frederick, MD 21702-4600 USA  
 Phone (301) 663-1600 • 1-800-638-3326  
 Fax (301) 663-1607 • 1-800-447-3326  
 Website: www.edcoinc.com • Email: sales@edcoinc.com

Printed in USA  
 ©2002

